

DS 3500 S Brushcutter



Documenten

Engine

Starter assy and clutch

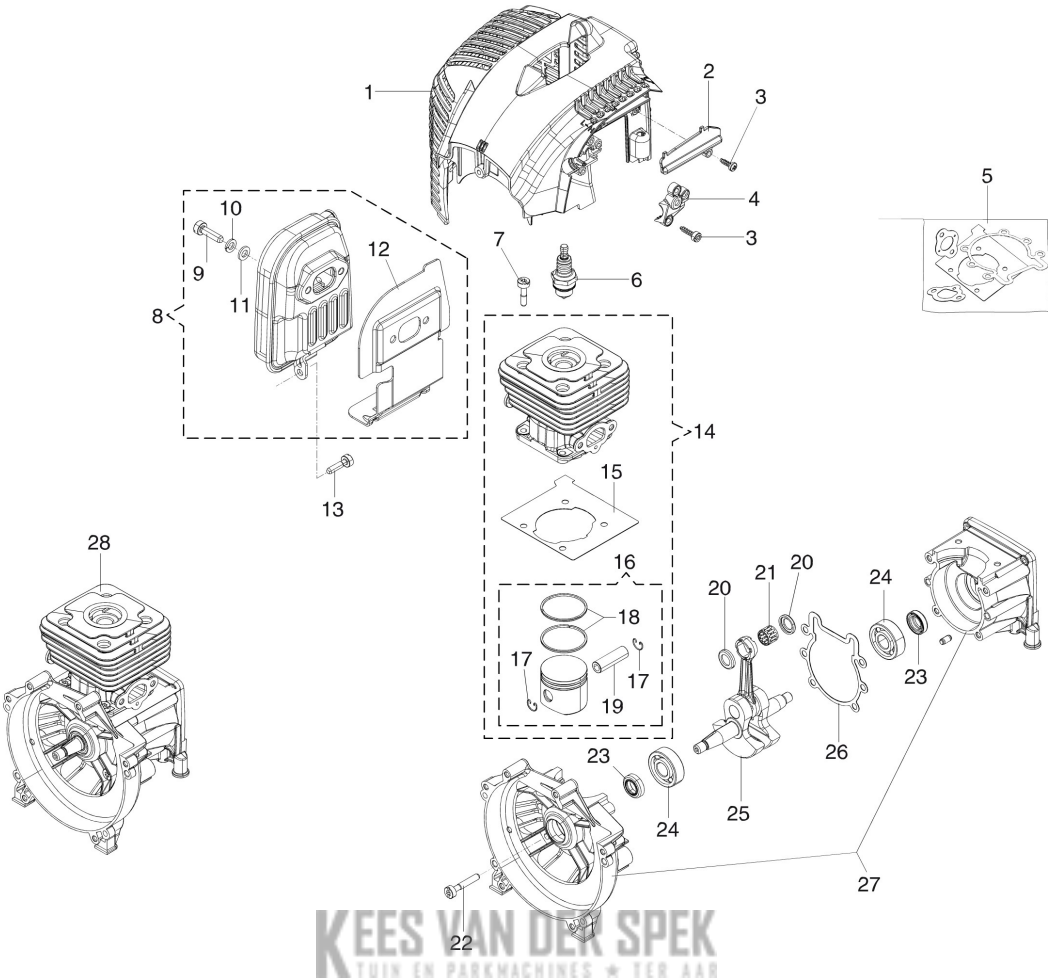
Tank and air filter

Transmission

Carburettor WT-1099

Accessories

KEES VAN DER SPEK
TUIN EN PARKMACHINES * TER AAR



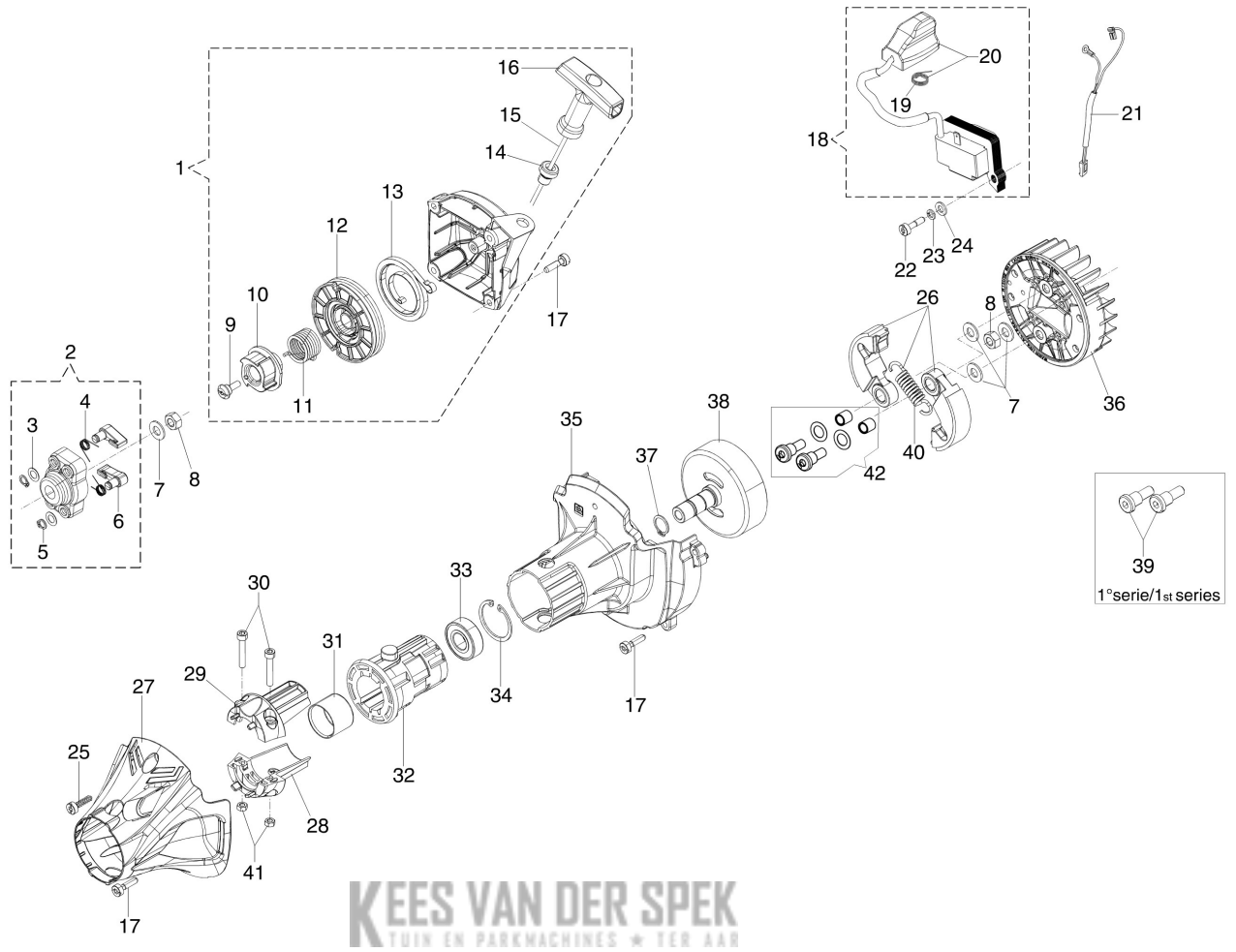
KEES VAN DER SPEK
TUIN EN PARKMACHINES * TER AAR

Illustratie Engine

Ref.Nu	Qty	Part number	Description	Validity from	Validity till	Notes	Bulletin
1	1	61420010R	Engine cover				
2	1	61380050R	Cover				
3	4	3960087AR	Screw				
4	1	61250250R	Stopper				
5	1	61202038BR	Gasket set				
6	1	3055115	Spark plug				
7	4	3891046R	Screw				
8	1	61380079AR	Muffler assy				
9	2	3891086R	Screw				
10	2	3819010R	Washer				
11	2	3916006R	Washer				
12	1	61380036AR	Deflector				
13	1	3891048R	Screw				
14	1	61212005B	Complete cylinder Ø38				
15	1	61350272R	Gasket				
16	1	61212004B	Piston assy Ø38				
17	2	004900061R	Ring				
18	2	4196166R	Piston ring				
19	1	50110047R	Piston pin				
20	2	50110043AR	Spacer				
21	1	50110044R	Bearing				
22	4	3891057R	Screw				
23	2	094000099R	Seal ring				
24	2	094000006R	Bearing				
25	1	61200001R	Crankshaft				
26	1	61200006AR	Gasket				
27	1	61350346	Crankcase assy				
28	1	61252075AR	Short block				

KEES VAN DER SPEK
TUIN EN PARKMACHINES * TER AAR

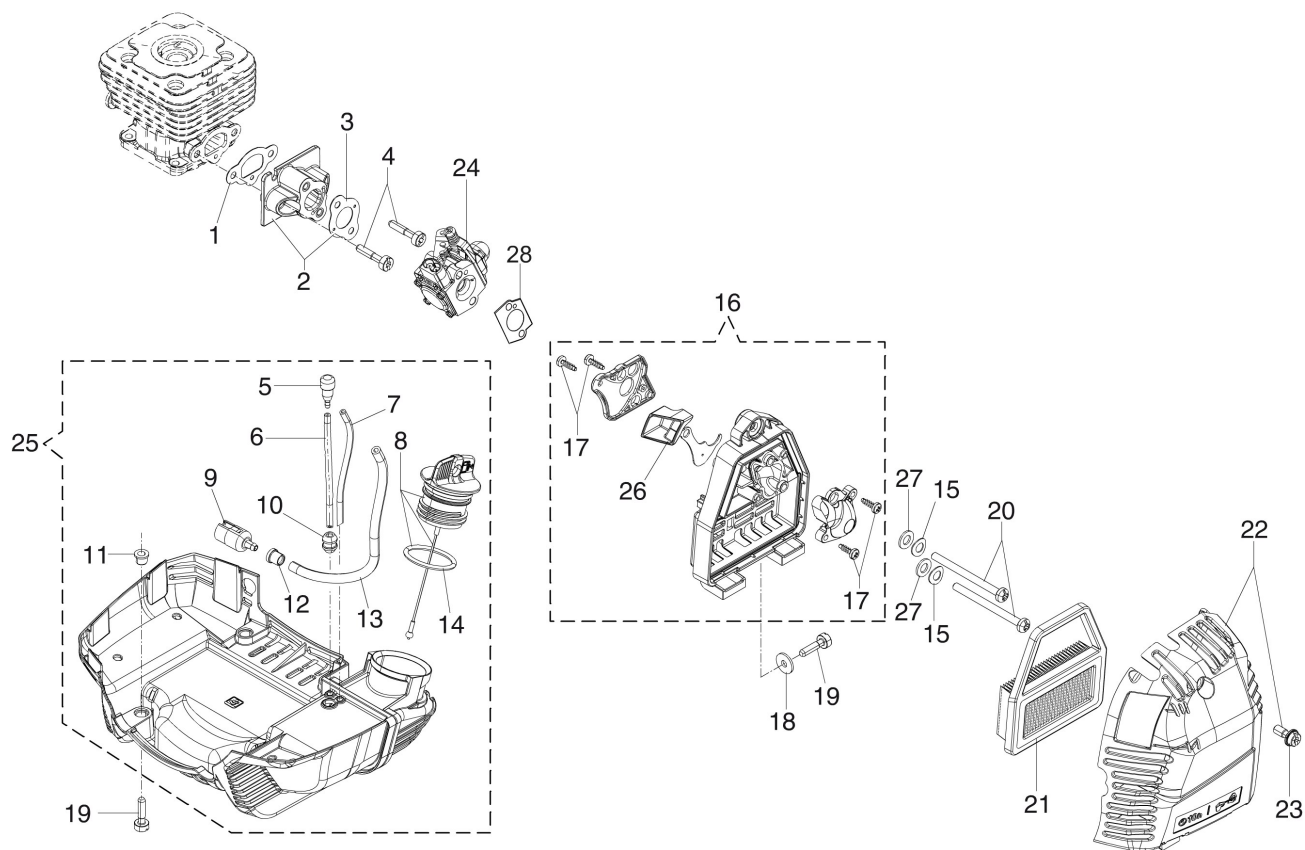
Illustratie Starter assy and clutch



Illustratie Starter assy and clutch

Ref.Nu	Qty	Part number	Description	Validity from	Validity till	Notes	Bulletin
1	1	61380102A	Starter assy	SN 2467190001			BT3-134-05/17
2	2	61350142	Clutch driver				
3	2	3064010R	Washer				
4	2	4191017A	Spring				
5	2	3024007R	Ring				
6	2	61350145R	Pawl				
7	4	3818011AR	Washer				
8	2	3912009	Nut				
9	1	50160024	Screw		SN 2467189999		BT3-134-05/17
9	1	61350342R	Screw	SN 2467190001			BT3-134-05/17
10	1	61350204AR	Sprocket				
11	1	61350203BR	Spring				
12	1	61350139R	Starter pulley				
13	1	004000132R	Spring				
14	1	072700089R	Bushing				
15	1	4098073R	Starter rope				
16	1	61200015R	Starter handle				
17	9	3891048R	Screw				
18	1	2501006R	Ignition coil				
19	1	50050127	Spring				
20	1	61380060R	Cap and spring				
21	1	61250282AR	Cable				
22	2	3891046R	Screw				
23	2	3819006R	Washer				
24	2	3916006R	Washer				
25	1	3893060R	Screw				
26	1	4191153AR	Clutch				
27	1	61380005AR	Cover				
28	1	61250022R	Clamp				
29	1	61250021AR	Clamp				
30	2	3801016R	Screw				
31	1	61250106R	Bushing				
32	1	61250023R	Sleeve				
33	1	3035042R	Bearing				
34	1	3025022R	Ring				
35	1	61380070R	Starter case				
36	1	61250014AR	Flywheel				
37	1	3024015R	Ring				
38	1	61380028AR	Clutch drum				
39	2	4191027FR	Pin		SN 2467429999		BT3-136-11/17
40	1	4191028R	Spring				
41	2	3914003R	Nut				
42	1	61420020	Fitment system	SN 2467430001			BT3-136-11/17



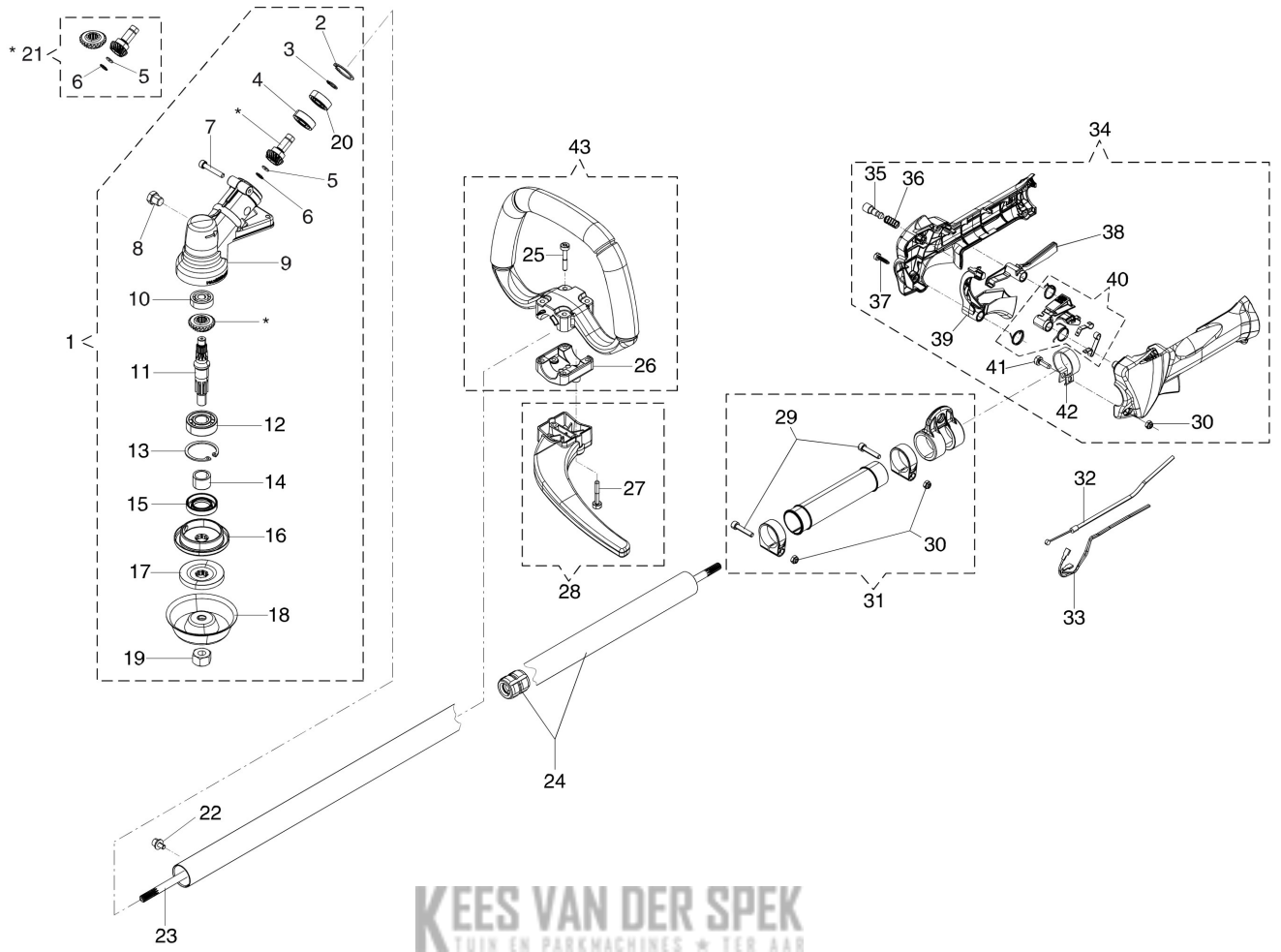


KEES VAN DER SPEK
TUIN EN PARKMACHINES * TER AAR

Illustratie Tank and air filter

Ref.Nu	Qty	Part number	Description	Validity from	Validity till	Notes	Bulletin
1	1	61200019AR	Gasket				
2	1	61200198	Insulator				
3	1	61200196AR	Gasket				
4	2	3891050R	Screw				
5	1	61070011AR	Breather valve				
6	1	61380075R	Breather fuel pipe				
7	1	61250228R	Tube				
8	1	61380100	Tank cap				
9	1	094600450R	Fuel filter				
10	1	4161211R	Bush				
11	4	61380017R	Spacer				
12	1	61110162BR	Bushing				
13	1	4100378	Tube				
14	1	3049024R	Gasket				
15	2	3833073R	Washer				
16	1	61382040AR	Air filter support set				
17	4	3960087AR	Screw				
18	1	3918005R	Washer				
19	5	3891048R	Screw				
20	2	3891067R	Screw				
21	1	61380013R	Air filter				
22	1	61380099	Air filter cover				
23	1	61330040AR	Screw				
24	1	2318987R	Carburetor WT-1099				
25	1	61380114R	Complete tank				
26	1	61380074AR	Starter lever				
27	2	3916005R	Washer				
28	1	61350155R	Flange				

KEES VAN DER SPEK
TUIN EN PARKMACHINES * TER AAR

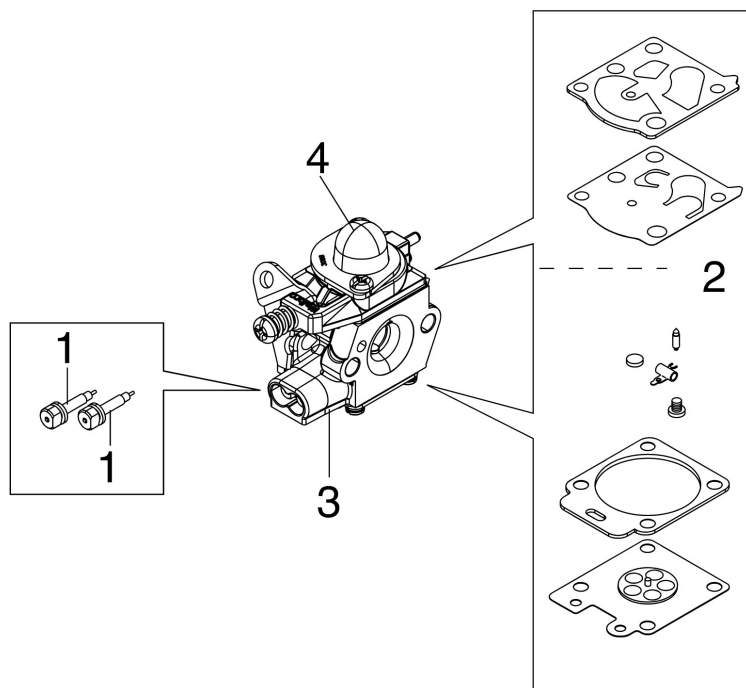


KEES VAN DER SPEK
 TUIN EN PARKMACHINES * TER AAR

Illustratie Transmission

Ref.Nu	Qty	Part number	Description	Validity from	Validity till	Notes	Bulletin
1	1	61250237A	Set bevel gear Ø26 + insert				
2	1	3025018R	Ring				
3	1	3024010R	Snap ring				
4	1	3034008R	Bearing				
5	1	4138311A	Ring				
6	1	3025009	Ring				
7	1	3901016	Screw				
8	1	61040071R	Cap				
9	1	61050013R	Gear case				
10	1	3034218R	Bearing				
11	1	61250054R	Pin				
12	1	3034012R	Bearing				
13	1	3025022R	Ring				
14	1	61040066R	Spacer				
15	1	3050018R	Seal ring				
16	1	61040145R	Hub				
17	1	4179089R	Flange				
18	1	61110074R	Guard				
19	1	61110075R	Nut				
20	1	3035230R	Bearing				
21	1	61040132A	Bevel gear set				
22	1	61052007	Screw				
23	1	61170075R	Drive shaft				
24	1	61280155	Tube Ø26				
25	4	3891057R	Screw				
26	1	61010024R	Clamp				
27	6	3891051R	Screw				
28	1	61380094	Guard				
29	2	3801015R	Screw				
30	3	3914003R	Nut				
31	1	4179198R	Band				
32	1	61380059R	Throttle cable				
33	1	61380058AR	Cable				
34	1	61380095B	Handle kit				
35	1	56550185R	Button				
36	1	4100098BR	Spring				
37	5	3893016AR	Screw				
38	1	61380055AR	Lever				
39	1	61380056R	Throttle lever				
40	1	61380096	Lever group				
41	1	3891038R	Screw				
42	1	61010019	Band				
43	1	61380093	Complete knob				

KEES VAN DER SPEK
TUIN EN PARKMACHINES * TER AAR

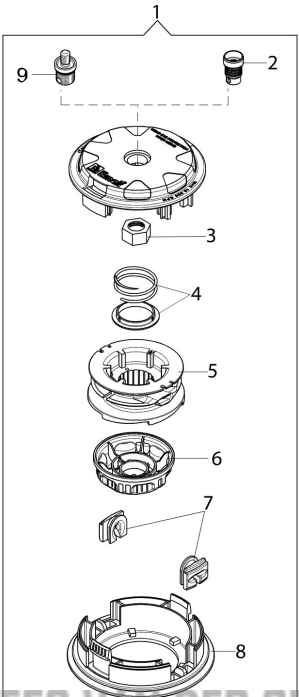
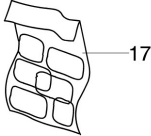
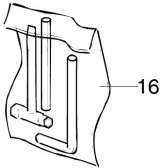
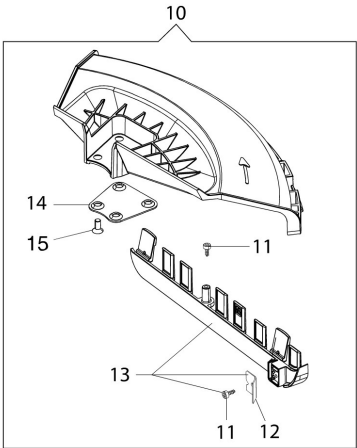


KEES VAN DER SPEK
TUIN EN PARKMACHINES * TER AAR

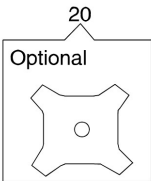
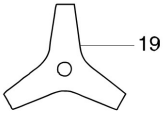
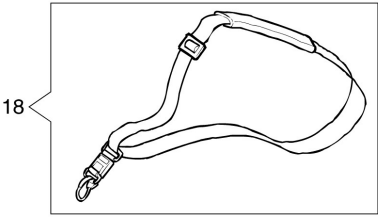
Illustratie Carburettor WT-1099

Ref.Nu	Qty	Part number	Description	Validity from	Validity till	Notes	Bulletin
1	2	2318667R	Adjust. screw				
2	1	2318671	Repair kit				
3	1	2318987R	Carburetor WT-1099				
4	1	2318572	Primer pump				

KEES VAN DER SPEK
TUIN EN PARKMACHINES * TER AAR



KEES VAN DER SPEK
TUIN EN PARKMACHINES * TER AAR



Illustratie Accessories

Ref.Nu	Qty	Part number	Description	Validity from	Validity till	Notes	Bulletin
1	1	63129008	Head Load&Go Longlife				
2	1	63120041R	Insert				
3	1	63120040R	Nut				
4	1	63120031R	Kit spring				
5	1	63120020AR	Nylon spool				
6	1	63120007AR	Knob				
7	2	63120001R	Bushing				
8	1	63120005R	Cover				
9	1	63120042R	Insert				
10	1	4192048CR	Disc guard				
11	2	3960040R	Screw				
12	1	4174275R	Blade				
13	1	4174283AR	Skirt w/blade				
14	1	4174278R	Plate				
15	4	3802004DR	Screw				
16	1	61370214R	Tool kit				
17	1	61380104	Labels kit				
18	1	4160463AR	Single harness				
19	1	4095673BR	3-tooth blade				
20	1	4095681AR	4-tooth blade				

KEES VAN DER SPEK
TUIN EN PARKMACHINES * TER AAR