

IP 3000 HS High-pressure washer



Documenten

Deck

Motorpump

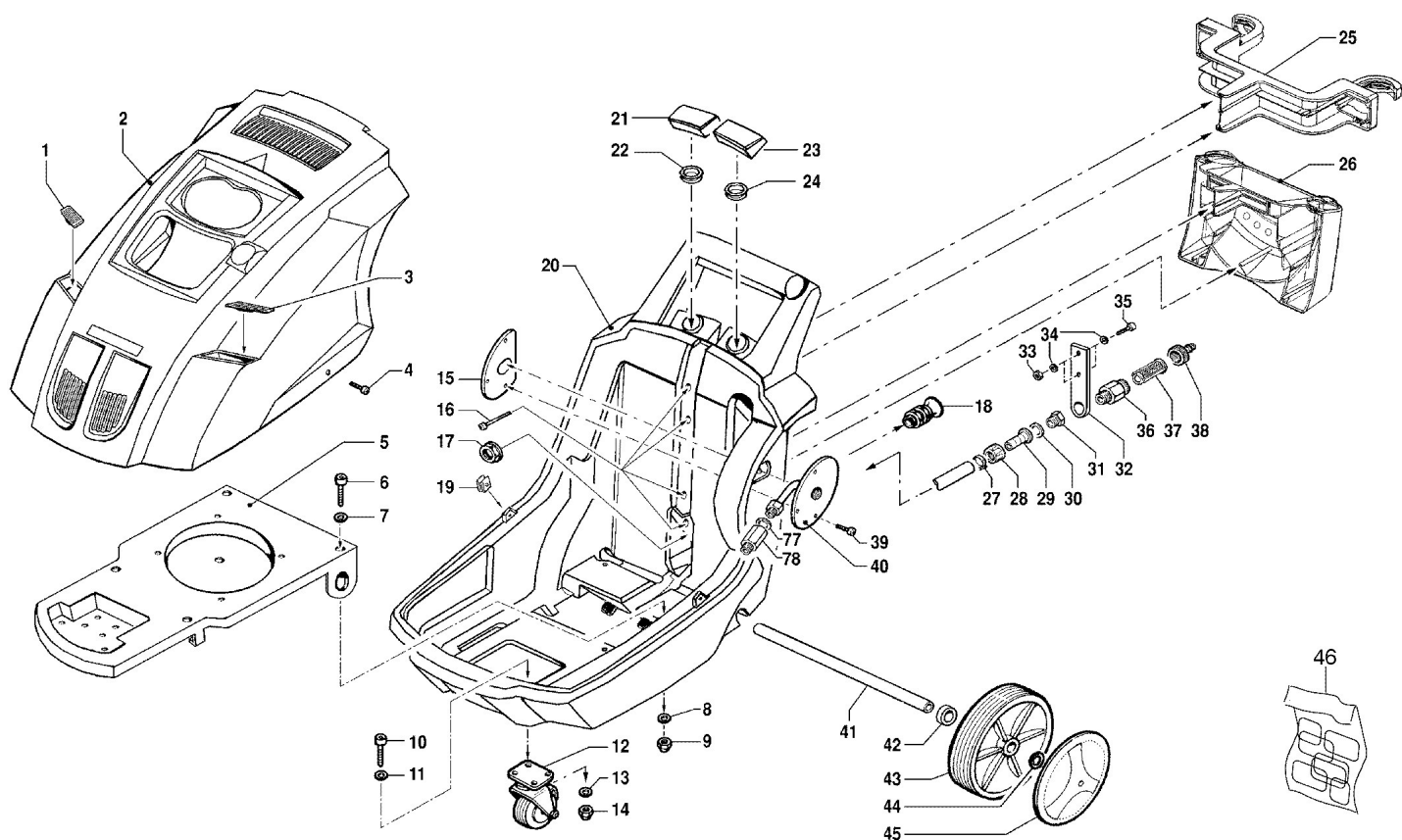
Wiring schematic

Boiler

Hose reel

Accessories

KEES VAN DER SPEK
TUIN EN PARKMACHINES * TER AAR



KEES VAN DER SPEK
TUIN EN PARKMACHINES • TER AAR

Illustratie Deck

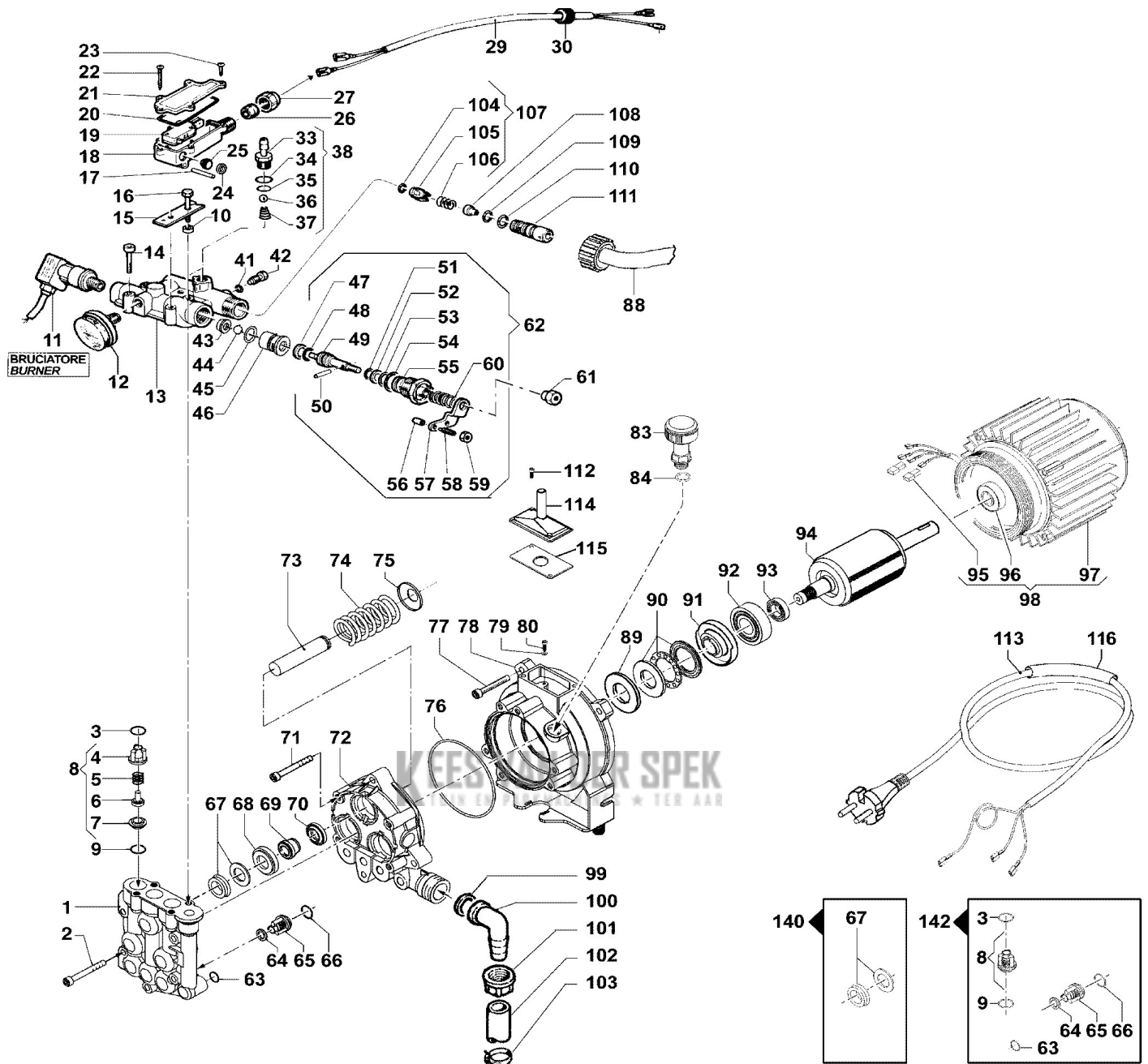
| Ref.Nu | Qty | Part number | Description | Validity from | Validity till | Notes | Bulletin |
|--------|-----|-------------|----------------------------|---------------|---------------|-------|----------|
| 1 | 1 | CH04020283 | Right grid cover | | | | |
| 2 | 1 | CH04770273 | Cover kit | | | | |
| 3 | 1 | CH04020282 | Left grid cover | | | | |
| 4 | 2 | CH36230031 | Screw | | | | |
| 5 | 1 | CH32060282 | Central frame | | | | |
| 6 | 6 | CH36090058 | Screw | | | | |
| 7 | 6 | CH28110016 | Washer | | | | |
| 8 | 6 | CH28110016 | Washer | | | | |
| 9 | 6 | CH06040039 | Nut | | | | |
| 10 | 3 | CH36090058 | Screw | | | | |
| 11 | 3 | CH28110016 | Washer | | | | |
| 12 | 1 | CH28100067A | Wheel | | | | |
| 13 | 3 | CH28110016 | Washer | | | | |
| 14 | 3 | CH06040039 | Nut | | | | |
| 15 | 1 | CH30020587 | Internal hose reel support | | | | |
| 16 | 4 | CH36050103 | Special screw | | | | |
| 17 | 1 | CH12270003 | Ring nut for cable holder | | | | |
| 18 | 1 | CH24340022 | Cable holder | | | | |
| 19 | 2 | CH24030084 | Plate | | | | |
| 20 | 1 | CH32060283B | Tank / frame | | | | |
| 21 | 1 | CH32000091 | Diesel plug | | | | |
| 22 | 1 | CH24340051 | Gasket | | | | |
| 23 | 1 | CH32000090 | Detergent plug | | | | |
| 24 | 1 | CH24340050 | Gasket | | | | |
| 25 | 1 | CH30020581 | Upper accessories support | | | | |
| 26 | 1 | CH30020580 | Lower accessories support | | | | |
| 27 | 1 | CH10030069 | Band | | | | |
| 28 | 1 | CH12230052 | Wing nut | | | | |
| 29 | 1 | CH28000098 | Straight hose tail | | | | |
| 30 | 1 | CH12090111 | Gasket | | | | |
| 31 | 1 | CH28250051 | M/f reduction | | | | |
| 32 | 1 | CH24040170 | Suction plate | | | | |
| 33 | 2 | CH06040039 | Nut | | | | |
| 34 | 4 | CH28110016 | Washer | | | | |
| 35 | 2 | CH36090058 | Screw | | | | |
| 36 | 1 | CH20000127 | Fitting | | | | |
| 37 | 1 | CH10020132A | Water filter | | | | |
| 38 | 1 | CH28030325 | Fittings | | | | |
| 39 | 3 | CH36210013 | Special screw | | | | |
| 40 | 1 | CH30020586 | External hose reel support | | | | |
| 41 | 1 | CH00170013 | Wheel axle | | | | |
| 42 | 2 | CH28120070 | Washer | | | | |
| 43 | 2 | CH28100035 | Wheel | | | | |



Illustratie Deck

| Ref.Nu | Qty | Part number | Description | Validity from | Validity till | Notes | Bulletin |
|--------|-----|-------------|-------------|---------------|---------------|-------|----------|
| 44 | 2 | CH00090179 | Ring | | | | |
| 45 | 2 | CH04020332 | Wheel cover | | | | |
| 46 | 1 | CH32157787 | Labels kit | | | | |
| 77 | 1 | CH12090091 | Gasket | | | | |
| 78 | 1 | CH24170054 | Fitting | | | | |

KEES VAN DER SPEK
TUIN EN PARKMACHINES * TER AAR



Illustratie Motorpomp

| Ref.Nu | Qty | Part number | Description | Validity from | Validity till | Notes | Bulletin |
|--------|-----|-------------|--------------------------------|---------------|---------------|-------|----------|
| 1 | 1 | CH32180114 | Top cover | | | | |
| 2 | 5 | CH36090150 | Screw | | | | |
| 3 | 4 | CH12100392 | O-ring | | | | |
| 4 | 3 | CH12050031 | Thrust bearing | | | | |
| 5 | 3 | CH18020175 | Spring | | | | |
| 6 | 3 | CH36040026 | Valve | | | | |
| 7 | 3 | CH30090121 | Seat | | | | |
| 8 | 3 | CH12200039 | Valve | | | | |
| 9 | 3 | CH12100415 | O-ring | | | | |
| 10 | 2 | CH06010274 | Spacer | | | | |
| 11 | 1 | CH24210037 | Pressure switch (red) | | | | |
| 12 | 1 | CH18160125 | Pressure gauge | | | | |
| 13 | 1 | CH04240418 | Body | | | | |
| 14 | 2 | CH36090148 | Screw | | | | |
| 15 | 1 | CH24030081 | Plate | | | | |
| 16 | 2 | CH36070103 | Hexagonal screw | | | | |
| 17 | 1 | CH30050023 | Plug | | | | |
| 18 | 1 | CH30010133 | Half case | | | | |
| 19 | 1 | CH18250020 | Switch | | | | |
| 20 | 1 | CH12010136 | O-ring | | | | |
| 21 | 1 | CH04020200 | Cover | | | | |
| 22 | 2 | CH36250047 | Screw | | | | |
| 23 | 3 | CH36250048 | Screw | | | | |
| 24 | 1 | CH00090229 | Ring | | | | |
| 25 | 1 | CH24160112 | Guard | | | | |
| 26 | 1 | CH12010137 | Gasket | | | | |
| 27 | 1 | CH12000056 | Wing nut | | | | |
| 29 | 1 | CH04560308 | Wire | | | | |
| 30 | 1 | CH24340040 | Cable holder | | | | |
| 33 | 1 | CH28030383 | Fittings | | | | |
| 34 | 1 | CH12100014 | O-ring | | | | |
| 35 | 1 | CH12100039 | O-ring | | | | |
| 36 | 1 | CH30030016 | Ball | | | | |
| 37 | 1 | CH18020254 | Spring | | | | |
| 38 | 1 | CH28030514 | Detergent coupling suction kit | | | | |
| 41 | 1 | CH36050087 | Special screw | | | | |
| 42 | 1 | CH12100220 | O-ring | | | | |
| 43 | 1 | CH30090153 | Easy-start seat | | | | |
| 44 | 1 | CH30030028 | Ball | | | | |
| 45 | 1 | CH12100152 | O-ring | | | | |
| 46 | 1 | CH30090148 | Seat | | | | |
| 47 | 1 | CH00090112 | Ring | | | | |
| 48 | 1 | CH12100041 | O-ring | | | | |
| 49 | 1 | CH00150190 | Easy start kit | | | | |
| 50 | 1 | CH30210035 | Plug | | | | |

KEES VAN DER SPEK
TUIN EN PARKMACHINES * TER AAR

Illustratie Motorpomp

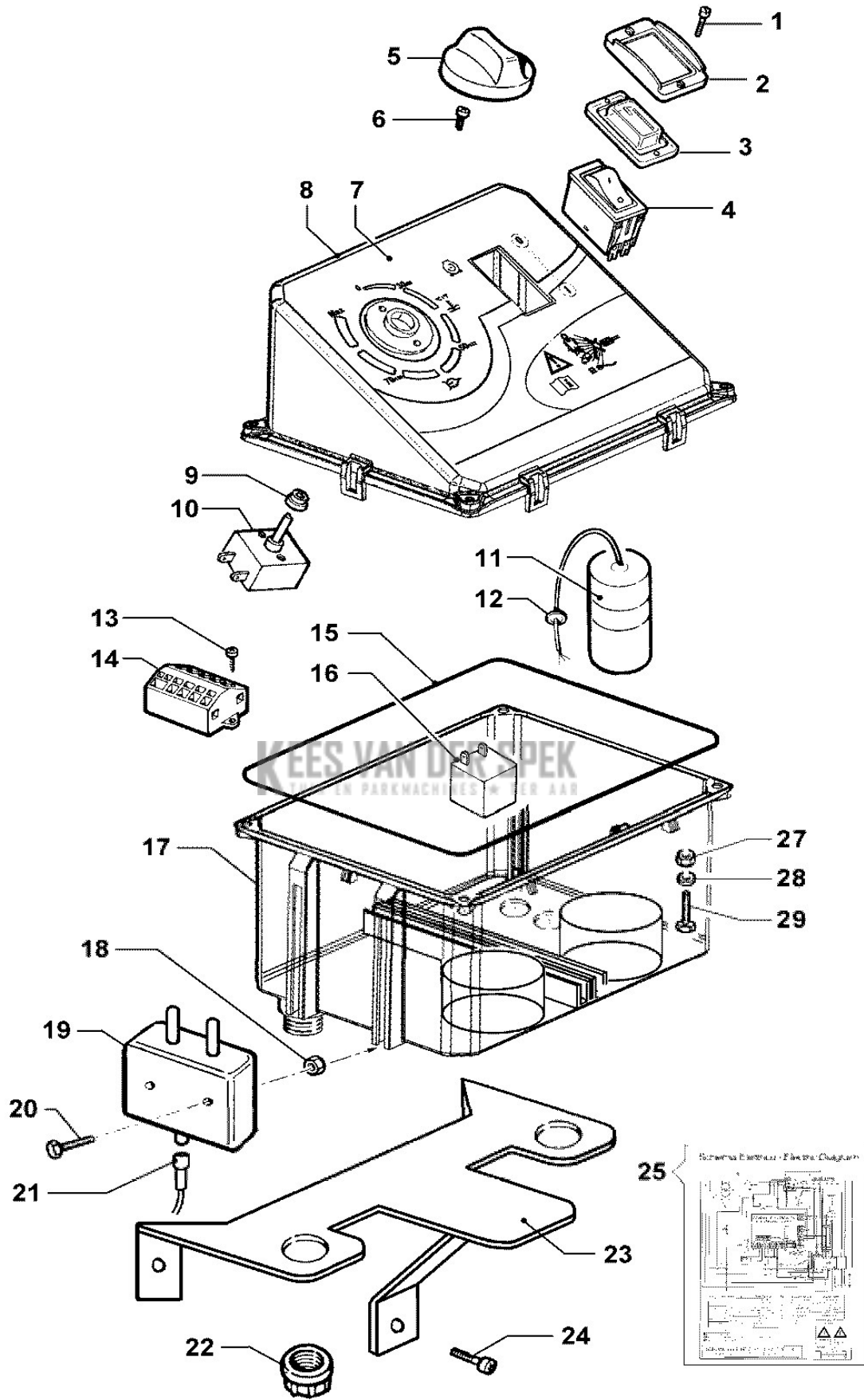
| Ref.Nu | Qty | Part number | Description | Validity from | Validity till | Notes | Bulletin |
|--------|-----|-------------|---------------------------|---------------|---------------|-------|----------|
| 51 | 1 | CH12100055 | O-ring | | | | |
| 52 | 1 | CH00090110 | Ring | | | | |
| 53 | 1 | CH12100049 | O-ring | | | | |
| 54 | 1 | CH12100390 | O-ring | | | | |
| 55 | 1 | CH36050115 | Screw | | | | |
| 56 | 1 | CH04320044 | Cap | | | | |
| 57 | 1 | CH16000072 | Total stop lever | | | | |
| 58 | 1 | CH36220047 | Total stop adjustable nut | | | | |
| 59 | 1 | CH06040087 | Nut | | | | |
| 60 | 1 | CH18020249 | Spring | | | | |
| 61 | 1 | CH32020241 | Screw | | | | |
| 62 | 1 | CH12150348 | Regulation valve | | | | |
| 63 | 1 | CH12100433 | O-ring | | | | |
| 64 | 3 | CH06010261 | Spacer | | | | |
| 65 | 3 | CH12200039 | Valve | | | | |
| 66 | 3 | CH12100432 | O-ring | | | | |
| 67 | 3 | CH12410041 | Gasket | | | | |
| 68 | 3 | CH00090201 | Ring | | | | |
| 69 | 3 | CH06010310 | Spacer | | | | |
| 70 | 3 | CH00190123 | Seal ring | | | | |
| 71 | 3 | CH36090100 | Screw | | | | |
| 72 | 1 | CH24320014B | Pump crankcase | | | | |
| 73 | 3 | CH24090108 | Piston | | | | |
| 74 | 3 | CH18020174 | Spring | | | | |
| 75 | 3 | CH00090195 | Ring | | | | |
| 76 | 1 | CH12100431 | O-ring | | | | |
| 77 | 4 | CH36090114 | Screw | | | | |
| 78 | 1 | CH10090211 | Motor flange kit | | | | |
| 79 | 1 | CH28070013 | Washer | | | | |
| 80 | 1 | CH36250072 | Screw | | | | |
| 83 | 1 | CH32000087 | Cap | | | | |
| 84 | 1 | CH12100093 | O-ring | | | | |
| 88 | 1 | CH32081000 | Pump - coil hose | | | | |
| 89 | 1 | CH28160088 | Spacer | | | | |
| 90 | 1 | CH04360029 | Bearing | | | | |
| 91 | 1 | CH00010512 | Eccentric shaft | | | | |
| 92 | 1 | CH04380069 | Bearing | | | | |
| 93 | 1 | CH00190113 | Seal ring | | | | |
| 94 | 1 | 301100003 | Stator and rotor kit | | | | |
| 95 | 2 | CH04220057 | Band | | | | |
| 96 | 1 | CH04380083 | Bearing | | | | |
| 97 | 1 | CH50270039 | Stator and kit | | | | |
| 98 | 1 | CH50270039 | Stator and kit | | | | |
| 99 | 1 | CH12090111 | Gasket | | | | |
| 100 | 1 | CH28010074 | Elbow coupling | | | | |



Illustratie Motorpomp

| Ref.Nu | Qty | Part number | Description | Validity from | Validity till | Notes | Bulletin |
|--------|-----|-------------|----------------------------|---------------|---------------|-------|----------|
| 101 | 1 | CH12230052 | Wing nut | | | | |
| 102 | 1 | CH32081006 | Water suction hose | | | | |
| 103 | 1 | CH10030069 | Band | | | | |
| 104 | 1 | CH12100220 | O-ring | | | | |
| 105 | 1 | CH36000087 | Valve | | | | |
| 106 | 1 | CH18020177 | Spring | | | | |
| 107 | 1 | CH50270025 | Reed valve kit | | | | |
| 108 | 1 | CH34000287 | Nozzle | | | | |
| 109 | 1 | CH12100041 | O-ring | | | | |
| 110 | 1 | CH12100152 | O-ring | | | | |
| 111 | 1 | CH20000087 | Nipple | | | | |
| 112 | 2 | CH36250046 | Screw | | | | |
| 113 | 1 | CH04560183 | Wire | | | | |
| 114 | 1 | CH04020281 | Cover | | | | |
| 115 | 1 | CH12010153 | Gasket | | | | |
| 116 | 1 | CH12290025 | Sheath | | | | |
| 140 | 1 | CH50190033 | Piston seal kit | | | | |
| 142 | 1 | CH50250019 | Suction/delivery valve kit | | | | |

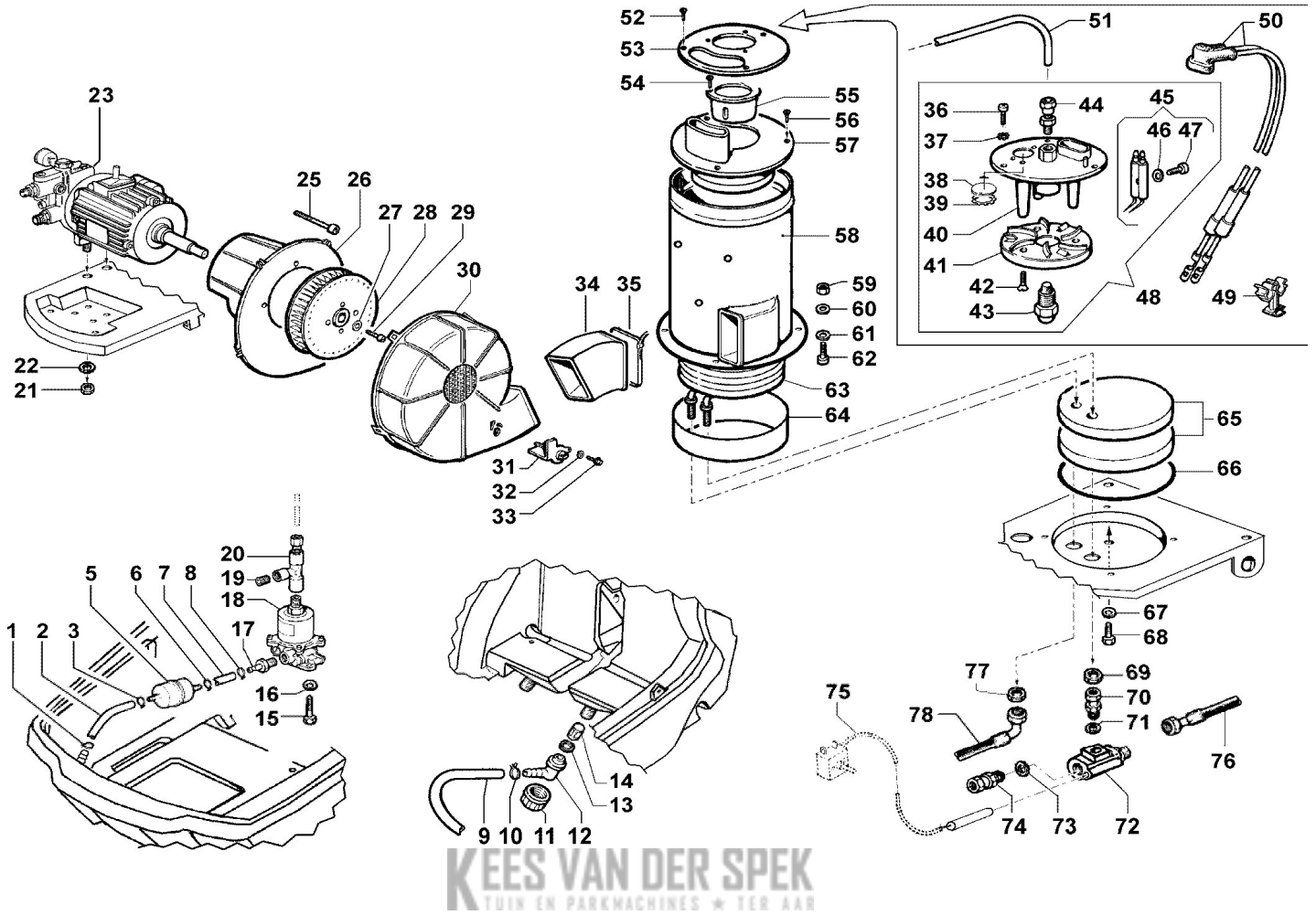
KEES VAN DER SPEK
TUIN EN PARKMACHINES * TER AAR



Illustratie Wiring schematic

| Ref.Nu | Qty | Part number | Description | Validity from | Validity till | Notes | Bulletin |
|--------|-----|-------------|----------------------------|---------------|---------------|-------|----------|
| 1 | 2 | CH36250003 | Screw | | | | |
| 2 | 1 | CH04600030 | Switch cover | | | | |
| 3 | 1 | CH24160095 | Switch protection | | | | |
| 4 | 1 | CH14100061 | Switch | | | | |
| 5 | 1 | 301100001 | Thermostat | | | | |
| 6 | 2 | CH36230007 | Screw | | | | |
| 7 | 1 | CH04570042 | Label | | | | |
| 8 | 1 | CH04020280 | Cover | | | | |
| 9 | 1 | CH02040041 | Thermostat bushing | | | | |
| 10 | 1 | 301100001 | Thermostat | | | | |
| 11 | 1 | CH04340329A | Condenser | | | | |
| 12 | 2 | CH24340040 | Cable holder | | | | |
| 13 | 2 | CH36250074 | Screw | | | | |
| 14 | 1 | CH18050044 | Clamp | | | | |
| 14 | 3 | CH18050045 | Clamp | | | | |
| 14 | 1 | CH18050047 | Clamp | | | | |
| 15 | 1 | CH12100555 | O-ring | | | | |
| 16 | 1 | CH30430037 | Burner delayer | | | | |
| 17 | 1 | CH30010523 | Electrical box | | | | |
| 18 | 2 | CH06040061 | Nut | | | | |
| 19 | 1 | CH32260088A | H.t. transformer | | | | |
| 20 | 2 | CH36090199 | Screw | | | | |
| 21 | 1 | CH04560305 | H.t. transformer cable | | | | |
| 22 | 2 | CH12230052 | Wing nut | | | | |
| 23 | 1 | CH30020590 | Support | | | | |
| 24 | 3 | CH28150015 | Rivet | | | | |
| 25 | 1 | CH16100952 | Electric diagram (drawing) | | | | |
| 27 | 3 | CH06040061 | Nut | | | | |
| 28 | 1 | CH28110037 | Washer | | | | |
| 29 | 1 | CH36070234 | Screw | | | | |

KEES VAN DER SPEK
TUIN EN PARKMACHINES * TER AAR



KEES VAN DER SPEK
 TUIN EN PARKMACHINES • TER AAR

Illustratie Boiler

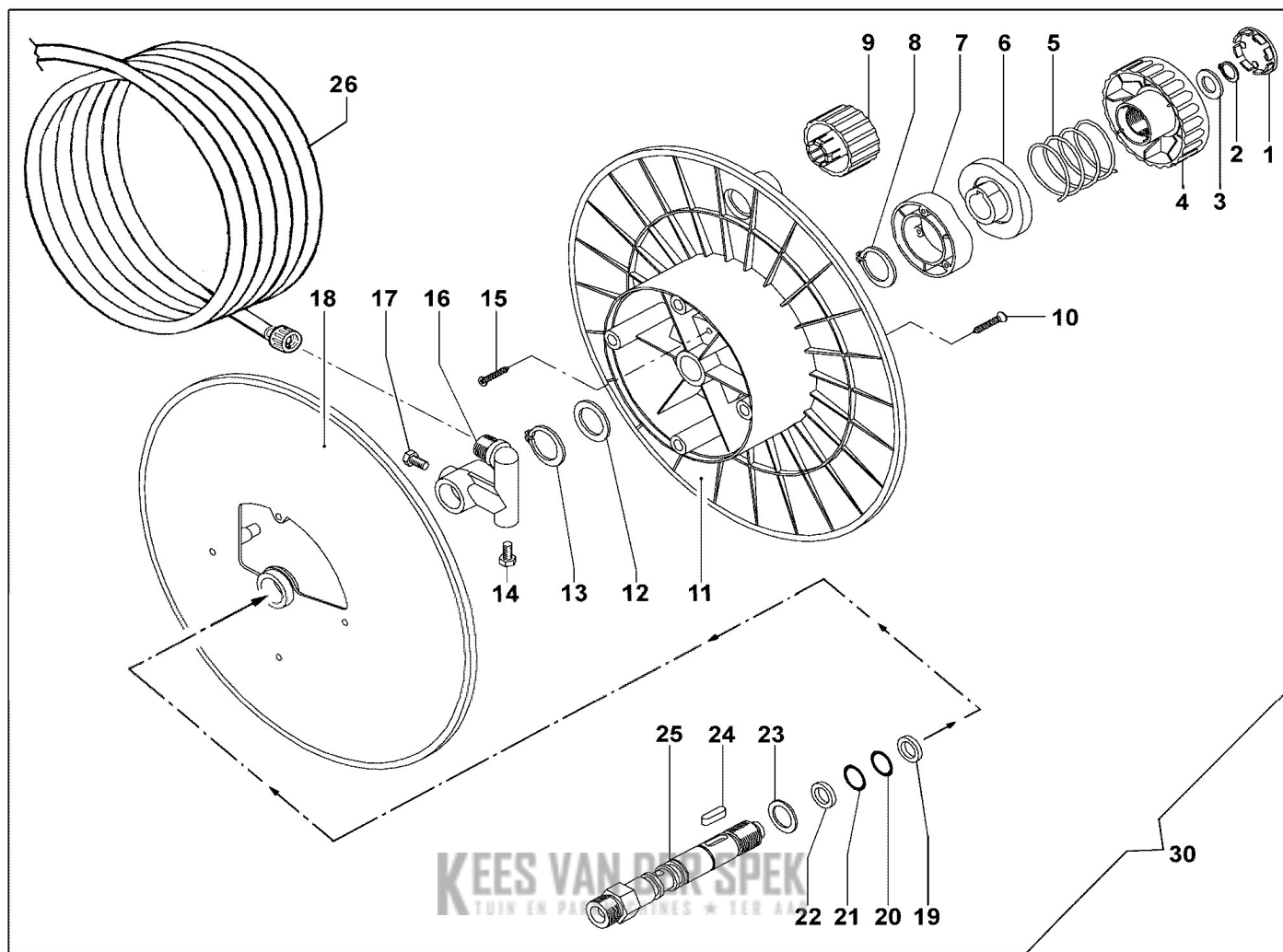
| Ref.Nu | Qty | Part number | Description | Validity from | Validity till | Notes | Bulletin |
|--------|-----|-------------|--------------------------|---------------|---------------|-------|----------|
| 1 | 1 | CH10030003 | Band | | | | |
| 2 | 1 | CH32080997 | Diesel hose | | | | |
| 3 | 1 | CH10030003 | Band | | | | |
| 5 | 1 | CH10020120 | Diesel filter | | | | |
| 6 | 1 | CH10030003 | Band | | | | |
| 7 | 1 | CH32081044 | Diesel hose | | | | |
| 8 | 1 | CH10030003 | Band | | | | |
| 9 | 1 | CH32080705 | Detergent hose | | | | |
| 10 | 2 | CH10030059 | Band | | | | |
| 11 | 1 | CH12230052 | Wing nut | | | | |
| 12 | 1 | CH28030371 | Fitting | | | | |
| 13 | 1 | CH12090104 | Gasket | | | | |
| 14 | 1 | CH10020078 | Detergent suction filter | | | | |
| 15 | 2 | CH36070106 | Hexagonal screw | | | | |
| 16 | 2 | CH28070011 | Washer | | | | |
| 17 | 1 | CH28030408A | Coupling | | | | |
| 18 | 1 | CH24220010 | Diesel pump | | | | |
| 19 | 1 | CH32000017 | Cap | | | | |
| 20 | 1 | CH28030486 | Coupling | | | | |
| 21 | 2 | CH06040079 | Nut | | | | |
| 22 | 2 | CH28110016 | Washer | | | | |
| 23 | 1 | CH73010930 | Motorpump | | | | |
| 25 | 4 | CH36250070 | Screw | | | | |
| 26 | 1 | CH04660031 | Shraud cover | | | | |
| 27 | 1 | CH28070011 | Washer | | | | |
| 28 | 1 | CH36320089 | Fan | | | | |
| 29 | 1 | CH36090034 | Screw | | | | |
| 30 | 1 | CH04040033 | Shraud cover | | | | |
| 31 | 1 | CH04660026 | Shutter | | | | |
| 32 | 1 | CH28110006 | Washer | | | | |
| 33 | 1 | CH36250049 | Screw | | | | |
| 34 | 1 | CH18100024 | Sleeve | | | | |
| 35 | 2 | CH10030076 | Band | | | | |
| 36 | 3 | CH36250038 | Screw | | | | |
| 37 | 3 | CH28070013 | Washer | | | | |
| 38 | 1 | CH32000074 | Cap | | | | |
| 39 | 1 | CH30190035 | Snap ring | | | | |
| 40 | 1 | CH06020047 | Electrode holder disc | | | | |
| 41 | 1 | CH06020057 | Air turbulence ring | | | | |
| 42 | 3 | CH36080004 | Screw | | | | |
| 43 | 1 | CH34000534 | Nozzle (diesel) | | | | |
| 44 | 1 | CH28030322 | Fitting | | | | |
| 45 | 1 | CH08050023 | Bifilar electrode kit | | | | |
| 46 | 1 | CH28110080 | Washer | | | | |
| 47 | 1 | CH36230031 | Screw | | | | |
| 48 | 1 | CH03350031 | Burner kit | | | | |



Illustratie Boiler

| Ref.Nu | Qty | Part number | Description | Validity from | Validity till | Notes | Bulletin |
|--------|-----|-------------|-----------------------|---------------|---------------|-------|----------|
| 49 | 2 | CH12020052 | Hook | | | | |
| 50 | 1 | CH05350073 | H.t. cable kit | | | | |
| 51 | 1 | CH32080998 | Copper diesel hose | | | | |
| 52 | 3 | CH36250028 | Screw | | | | |
| 53 | 1 | CH04020287 | Upper cover | | | | |
| 54 | 3 | CH36250037 | Screw | | | | |
| 55 | 1 | CH02180012 | Tube | | | | |
| 56 | 3 | CH36250028 | Screw | | | | |
| 57 | 1 | CH04020286 | Lower cover | | | | |
| 58 | 1 | CH04240405 | Boiler body | | | | |
| 59 | 4 | CH06040095 | Nut | | | | |
| 60 | 4 | CH28110030 | Washer | | | | |
| 61 | 4 | CH28110030 | Washer | | | | |
| 62 | 4 | CH36090112 | Screw | | | | |
| 63 | 1 | CH30440020 | Pipe coil | | | | |
| 64 | 1 | CH00090295 | Bottom body | | | | |
| 65 | 1 | CH28220015 | Refractory pad | | | | |
| 66 | 1 | CH12100554 | O-ring | | | | |
| 67 | 1 | CH28110030 | Washer | | | | |
| 68 | 1 | CH36070106 | Hexagonal screw | | | | |
| 69 | 1 | CH12270015 | Coil-lock nut | | | | |
| 70 | 1 | CH00110006 | Adapter | | | | |
| 71 | 1 | CH12090113 | Gasket | | | | |
| 72 | 1 | CH04240377A | Thermostat body | | | | |
| 73 | 1 | CH12090097 | Gasket | | | | |
| 74 | 1 | CH12150649 | Safety valve | | | | |
| 75 | 1 | 301100001 | Thermostat | | | | |
| 76 | 1 | CH32081004 | Coil - hose reel hose | | | | |
| 77 | 1 | CH12270015 | Coil-lock nut | | | | |
| 78 | 1 | CH32081000 | Pump - coil hose | | | | |

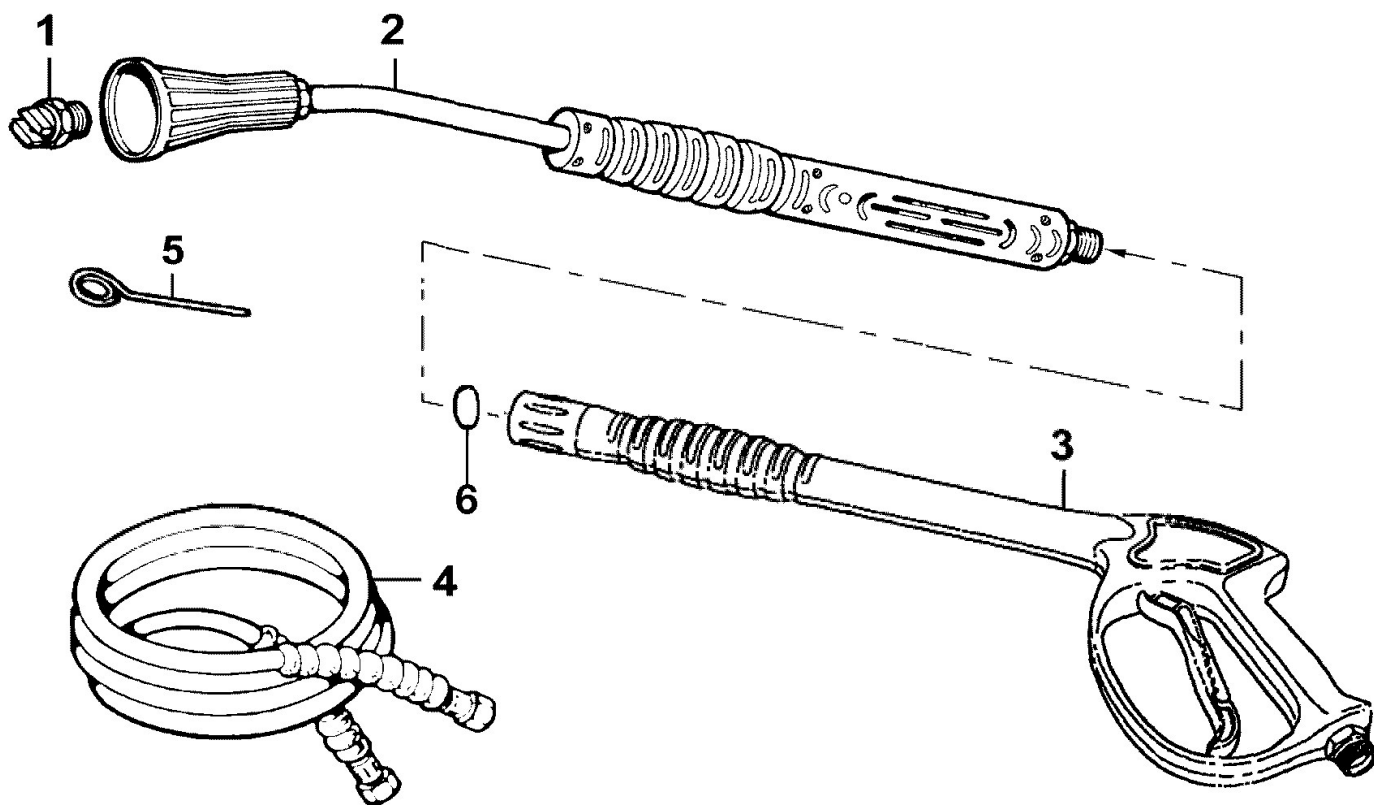
KEES VAN DER SPEK
TUIN EN PARKMACHINES * TER AAR



Illustratie Hose reel

| Ref.Nu | Qty | Part number | Description | Validity from | Validity till | Notes | Bulletin |
|--------|-----|-------------|----------------------------------|---------------|---------------|-------|----------|
| 1 | 1 | CH32020270 | Cap | | | | |
| 2 | 1 | CH30190043 | Snap ring | | | | |
| 3 | 1 | CH28110015 | Washer | | | | |
| 4 | 1 | CH36060014 | Clamp | | | | |
| 5 | 1 | CH18020211 | Spring | | | | |
| 6 | 1 | CH04680002 | Cam | | | | |
| 7 | 1 | CH04680001 | Cam | | | | |
| 8 | 1 | CH30190037 | Snap ring | | | | |
| 9 | 1 | CH24310007 | Knob | | | | |
| 10 | 4 | CH36230015 | Screw | | | | |
| 11 | 1 | CH06020052 | Disk | | | | |
| 12 | 1 | CH28120080 | Washer | | | | |
| 13 | 1 | CH30190037 | Snap ring | | | | |
| 14 | 1 | CH32020018 | Cap | | | | |
| 15 | 3 | CH36230019 | Screw | | | | |
| 16 | 1 | CH28030480 | Fittings | | | | |
| 17 | 1 | CH32020018 | Cap | | | | |
| 18 | 1 | CH06020051 | Disk | | | | |
| 19 | 1 | CH00090165 | Ring | | | | |
| 20 | 1 | CH12100232 | O-ring | | | | |
| 21 | 1 | CH12100232 | O-ring | | | | |
| 22 | 1 | CH00090165 | Ring | | | | |
| 23 | 1 | CH28120080 | Washer | | | | |
| 24 | 1 | CH16020059 | Key | | | | |
| 25 | 1 | CH24080151 | Fittings | | | | |
| 26 | 1 | 68500026 | H.p. hose kit | | | | |
| 30 | 1 | CH70020255 | Complete hose reel with h.p.hose | | | | |

KEES VAN DER SPEK
TUIN EN PARKMACHINES * TER AAR



KEES VAN DER SPEK
TUIN EN PARKMACHINES * TER AAR

Illustratie Accessories

| Ref.Nu | Qty | Part number | Description | Validity from | Validity till | Notes | Bulletin |
|--------|-----|-------------|------------------------------|---------------|---------------|-------|----------|
| 1 | 1 | CH34000709 | Water nozzle | | | | |
| 2 | 1 | 68500039 | Lance with adjustable nozzle | | | | |
| 3 | 1 | 68500031 | Spray gun | | | | |
| 4 | 1 | 68500026 | H.p. hose kit | | | | |
| 5 | 1 | CH04550013 | Needle | | | | |
| 6 | 1 | CH12100084 | O-ring | | | | |

KEES VAN DER SPEK
TUIN EN PARKMACHINES * TER AAR