

## MP 3000 (Euro 2) Water pump



### Documenten

Engine

---

Starter assy

---

Air filter and carburettor

---

Fuel tank and handle

---

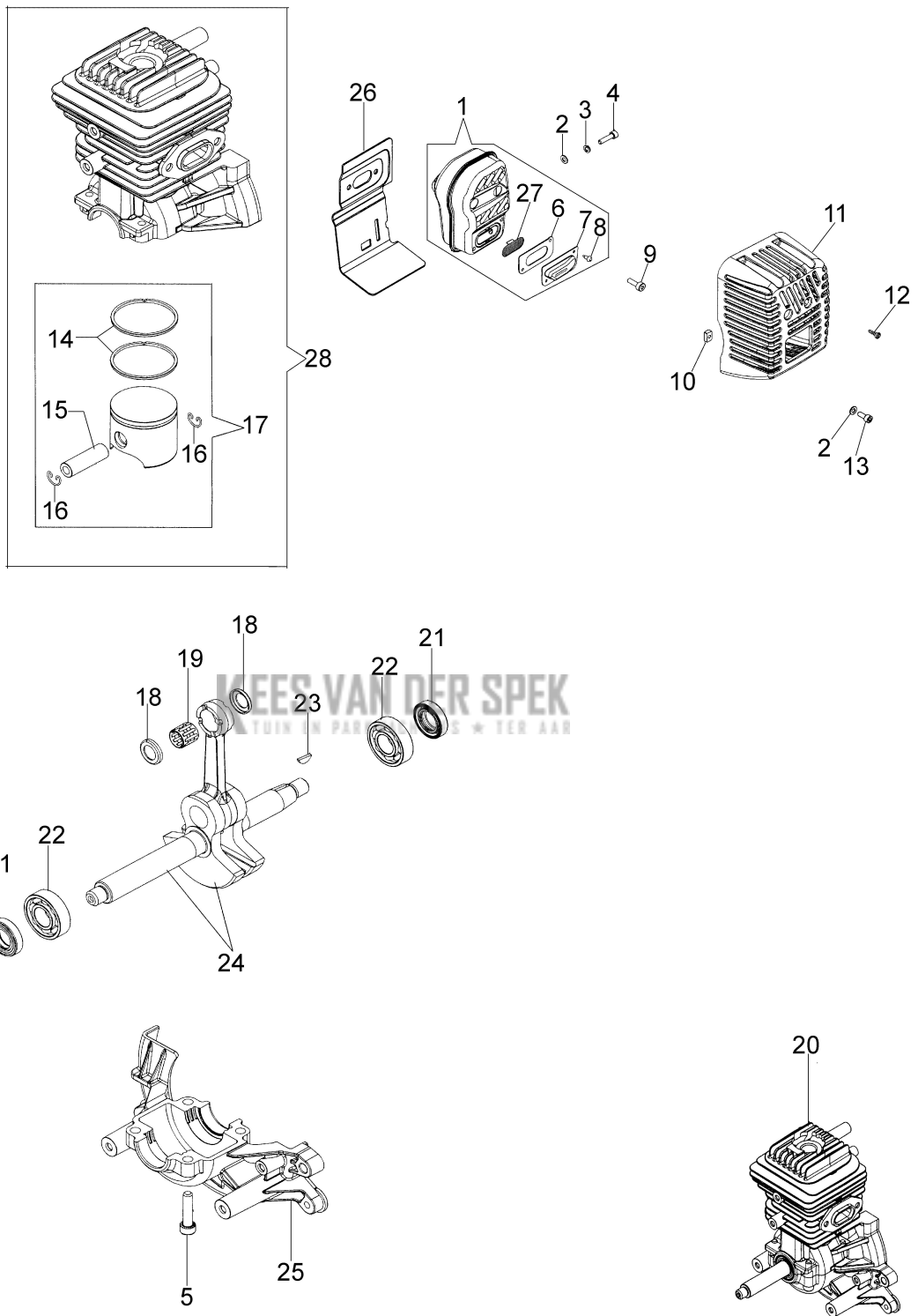
Pump assembly

---

Carburettor

---

**KEES VAN DER SPEK**  
TUIN EN PARKMACHINES ★ TER AAR



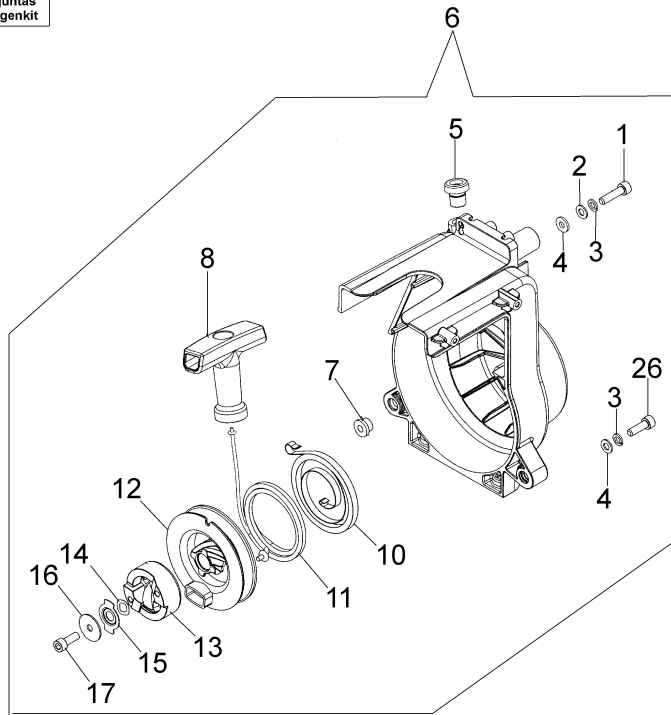
## Illustratie Engine

Ref.Nu	Qty	Part number	Description	Validity from	Validity till	Notes	Bulletin
1	1	55020084CR	Muffler				
2	1	3916005R	Washer				
3	1	3819006R	Washer				
4	1	3801013R	Screw				
5	4	3801051R	Screw				
6	1	56550159R	Gasket				
7	1	56560087R	Deflector				
8	2	012000028	Screw				
9	2	3801068R	Screw				
10	1	55020106R	Plate				
11	1	55020054R	Muffler cover				
12	2	3960142R	Screw				
13	1	3801009R	Screw				
14	2	61050046R	Piston ring	SN 4601032319			BT6-081-06/11
15	1	072700045R	Piston pin				
16	2	093000167R	Ring				
17	1	56552011A	Piston assy	SN 4601032319			BT6-081-06/11
18	2	074000267AR	Spacer				
19	1	072700046R	Bearing				
20	1	55022022R	Short block				
21	2	50272004R	Seal ring				
22	2	3034009R	Bearing				
23	1	4098232R	Key				
24	1	55020001R	Crankshaft				
25	1	61240047AR	Motor housing				
26	1	55020036R	Deflector				
27	1	56550143R	Net				
28	1	56552012B	Complete cylinder				

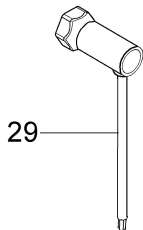
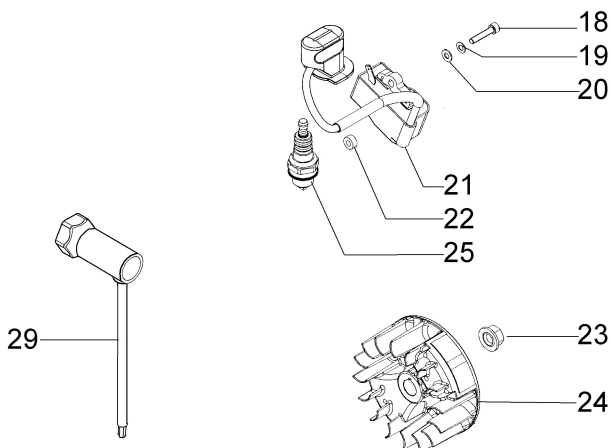
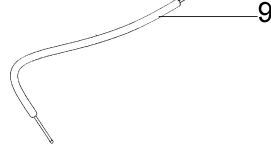


27  
 Kit etichette  
 Labels set  
 Jeu etiquette  
 Juego etiquetas  
 Etikettenkit

28  
 kit guarnizioni  
 Gasket set  
 Jeu joints  
 Juego juntas  
 Dichtungenset



**KEES VAN DER SPEK**  
 TUIN EN PARKMACHINES \* TER AAR

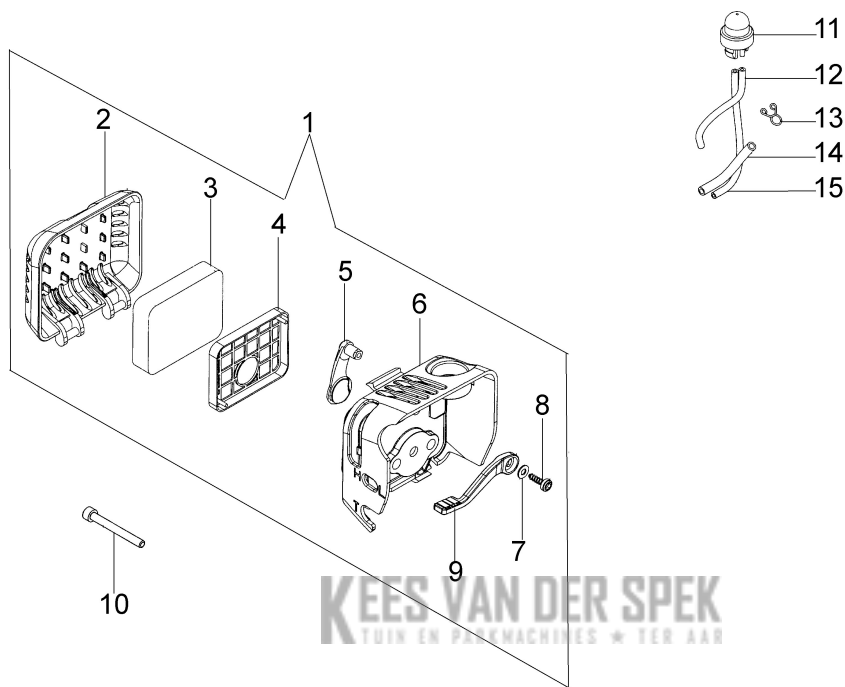


## Illustratie Starter assy

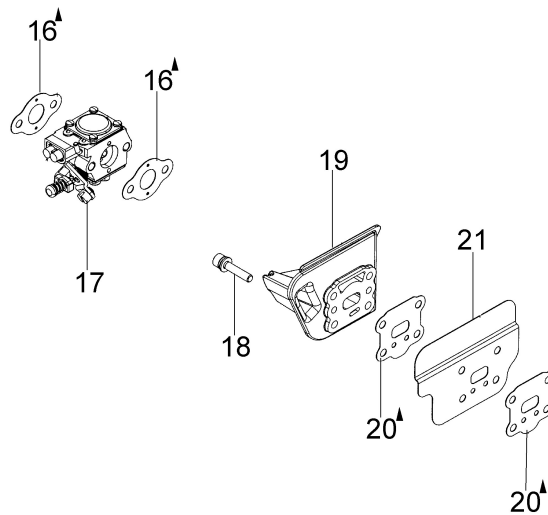
---

Ref.Nu	Qty	Part number	Description	Validity from	Validity till	Notes	Bulletin
1	1	3801013R	Screw				
2	1	3916005R	Washer				
3	1	3819006R	Washer				
4	1	-	Not available for this product				
5	1	072700089R	Bushing				
6	1	55020083R	Starter assy				
7	1	61240005R	Bushing				
8	1	61200015R	Starter handle				
9	1	55020010R	Throttle cable				
10	1	004000132R	Spring				
11	1	55020086R	Starter rope				
12	1	56550022R	Starter pulley				
13	1	56550021R	Shaft joint				
14	1	3027005R	Ring				
15	1	56520040AR	Plate				
16	1	3918020R	Washer				
17	1	3801010R	Screw				
18	2	3801007	Screw				
19	2	006000315R	Washer				
20	2	3916004R	Washer				
21	1	56550182AR	Ignition coil				
22	2	61170014A	Spacer				
23	1	3980012	Nut				
24	1	61320057AR	Flywheel				
25	1	3055118	Spark plug				
26	2	3801011R	Screw				
27	1	55022017	Labels kit				
28	1	55022018	Gasket set				
29	1	55020099R	Tool kit				

**KEES VAN DER SPEK**  
TUIN EN PARKMACHINES \* TER AAR



KEES VAN DER SPEK  
TUIN EN PAKKINGSMACHINES \* TER AAR



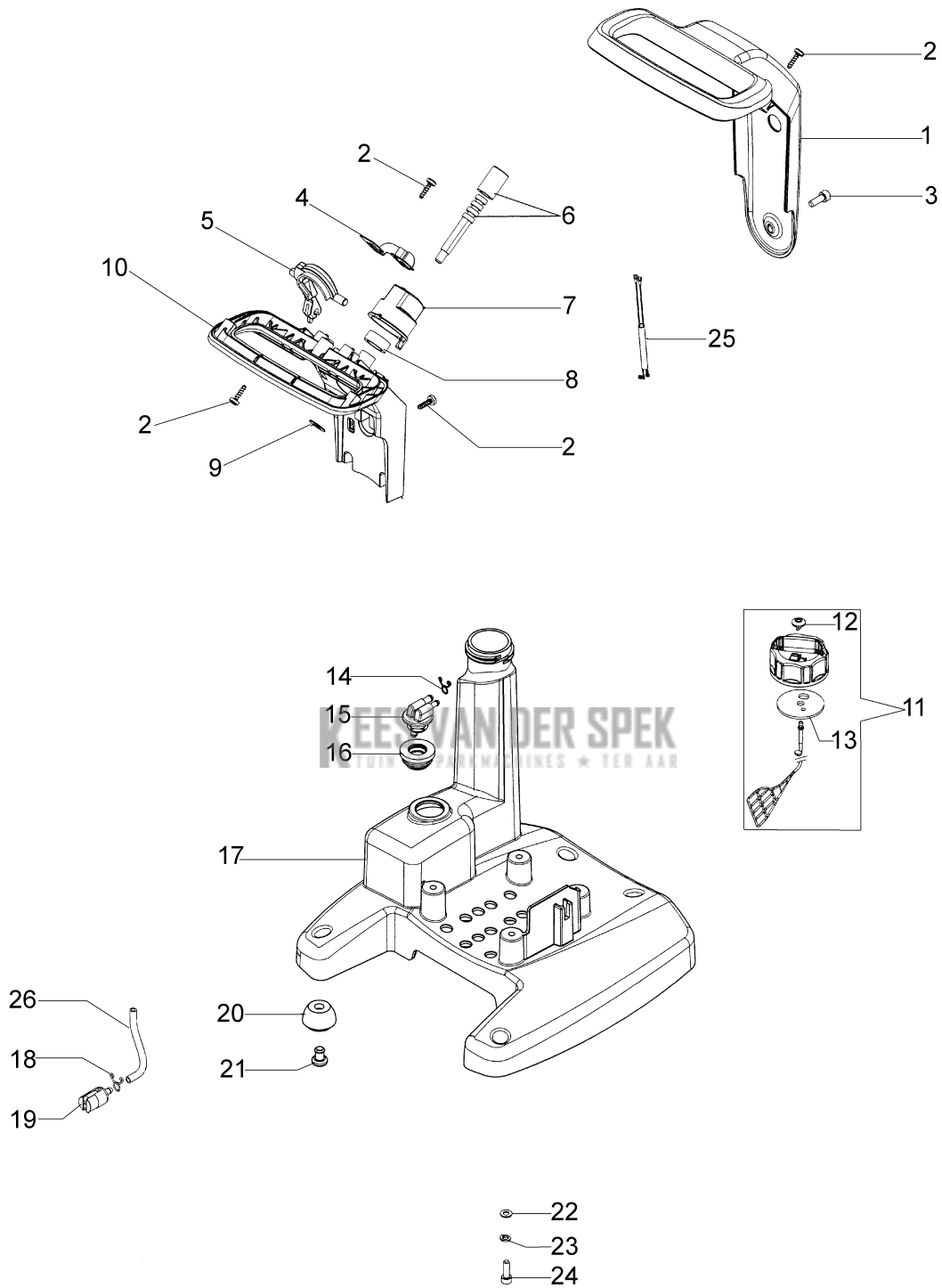
22<sup>▲</sup>  
 kit guarnizioni  
 Gasket set  
 Jeu joints  
 Juego juntas  
 Dichtungenset

## Illustratie Air filter and carburettor

---

Ref.Nu	Qty	Part number	Description	Validity from	Validity till	Notes	Bulletin
1	1	55020079R	Air filter kit				
2	1	55020052R	Cover				
3	1	55020029R	Air filter				
4	1	55020028R	Guard				
5	1	55020112R	Shutter				
6	1	55020051R	Filter support				
7	1	3916004R	Washer				
8	1	3960142R	Screw				
9	1	61250027R	Lever				
10	2	3901014R	Screw				
11	1	2318817R	Air purge				
12	1	55020087R	Tube				
13	1	4098377R	Band				
14	1	55020089R	Tube				
15	1	55020088R	Tube				
16	2	61200021AR	Gasket				
17	1	2318816BR	Carburetor WT-936A				
18	4	3890103R	Screw				
19	1	61240009DR	Insulator				
20	2	56550115R	Gasket				
21	1	55020048R	Gasket				
22	1	55022018	Gasket set				

**KEES VAN DER SPEK**  
TUIN EN PARKMACHINES \* TER AAR

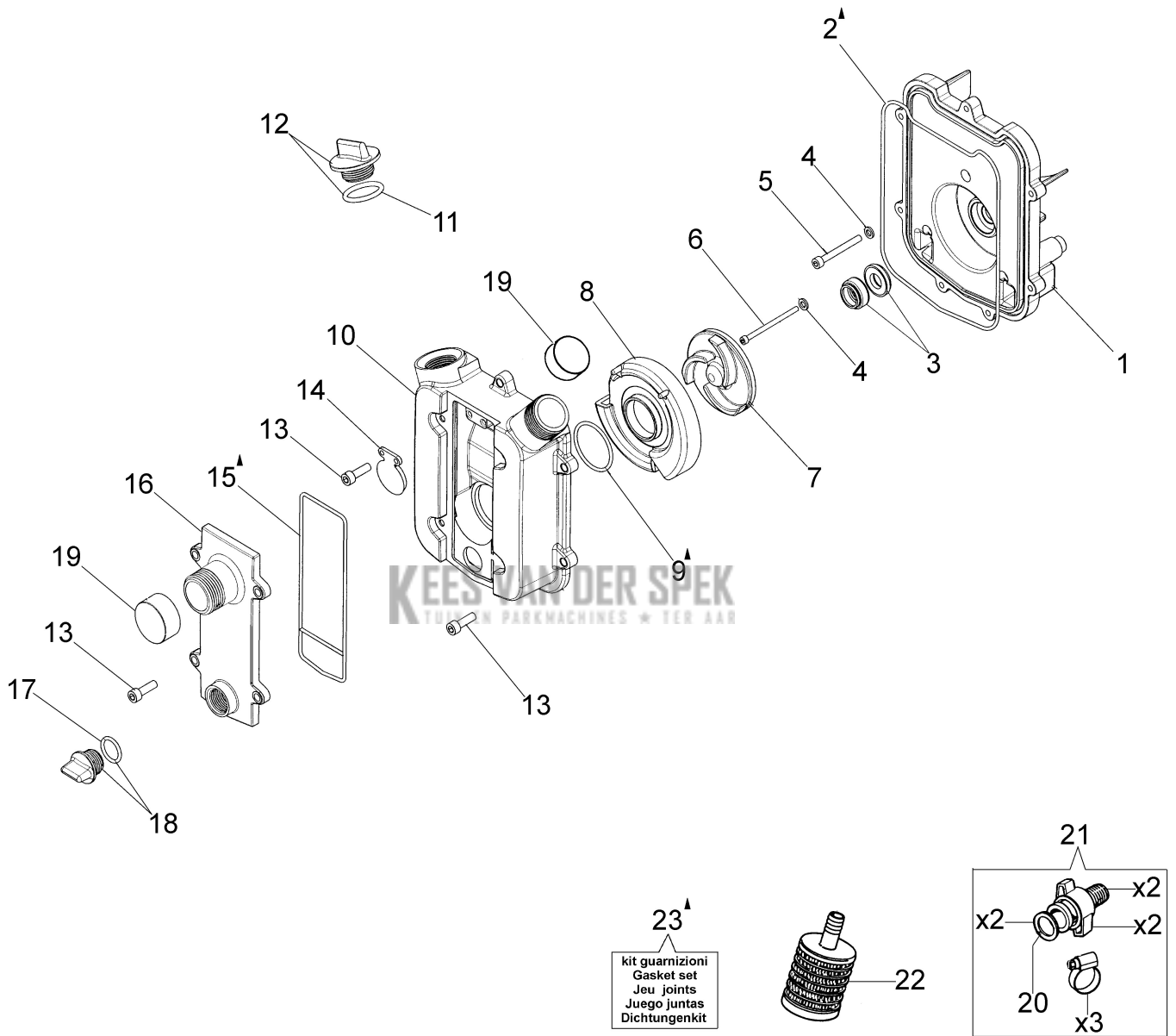


## Illustratie Fuel tank and handle

---

Ref.Nu	Qty	Part number	Description	Validity from	Validity till	Notes	Bulletin
1	1	55020004R	Half grip upper				
2	12	3960142R	Screw				
3	1	3801010R	Screw				
4	1	55022023	Contact				
5	1	55020005R	Complete throttle				
6	1	55020007R	Screw				
7	1	55020006R	Knob				
8	1	55020037R	Ring				
9	1	3057006R	Washer				
10	1	55020003R	Half grip lower				
11	1	55022004R	Tank cap				
12	1	4098658AR	Breather valve				
13	1	55020108R	Gasket				
14	1	3059002	Band				
15	1	4162270AR	Fittings				
16	1	4162268R	Bushing				
17	1	55020082R	Tank				
18	1	4098377R	Band				
19	1	094600450R	Fuel filter				
20	4	55020062R	AV-mount				
21	4	4221012	Pin				
22	4	3916005R	Washer				
23	4	3819006R	Washer				
24	4	3801011R	Screw				
25	1	55020094R	Cable				
26	1	55020090R	Tube				

**KEES VAN DER SPEK**  
TUIN EN PARKMACHINES \* TER AAR

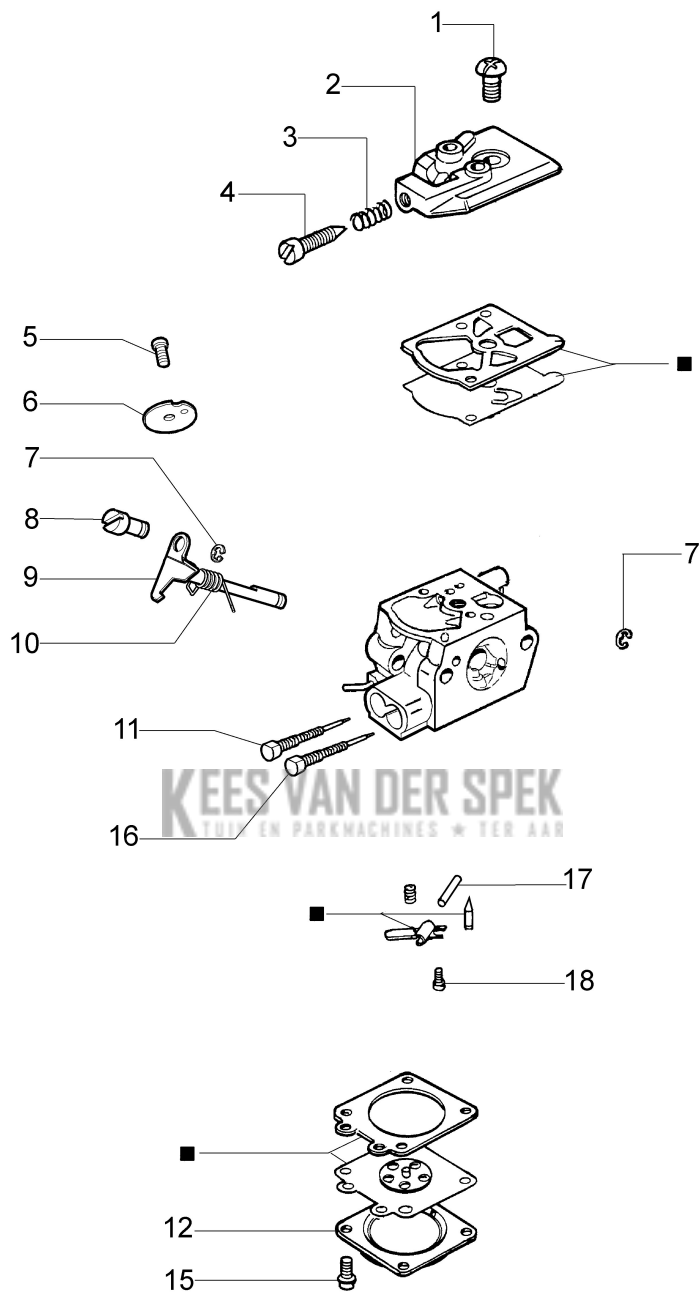


## Illustratie Pump assembly

---

Ref.Nu	Qty	Part number	Description	Validity from	Validity till	Notes	Bulletin
1	1	55020012R	Pump body				
2	1	55020109R	O-ring				
3	1	55022019	Mechanical seal				
4	3	341000004	Washer				
5	3	3901014R	Screw				
6	2	3901037R	Screw				
7	1	55020014R	Impeller				
8	1	55020015R	Rotor case				
9	1	320000005	O-ring				
10	1	55020011R	Pump body				
11	1	3049019	O-ring				
12	1	55022020R	Complete cap				
13	11	3801022R	Screw				
14	1	55020018R	Valve				
15	1	55020078R	O-ring				
16	1	55020013R	Cover				
17	1	3049018R	O-ring				
18	1	55022021R	Complete cap				
19	2	330000019	Guard plug				
20	2	330000008R	Gasket				
21	1	340000002R	Fittings kit				
22	1	340000001R	Filter				
23	1	55022018	Gasket set				

**KEES VAN DER SPEK**  
TUIN EN PARKMACHINES \* TER AAR



13 KIT RIPARAZIONE  
REPAIR KIT

## Illustratie Carbuirettor

---

Ref.Nu	Qty	Part number	Description	Validity from	Validity till	Notes	Bulletin
1	1	003300197	Screw				
2	1	2318777	Cover				
3	1	094600148	Spring				
4	1	074000240	Adjust. screw				
5	1	50010141	Screw				
6	1	375100078	Shutter				
7	2	095000164	Ring				
8	1	2318211	Pin				
9	1	2318737	Shaft				
10	1	072700347	Spring				
11	1	2318779	Adjust. screw MIN				
12	1	2318191	Cover				
13	1	2318671	Repair kit				
15	4	035000162	Screw				
16	1	2318778	Adjust. screw				
17	1	003300201	Spindle				
18	1	003300202	Screw				

**KEES VAN DER SPEK**  
TUIN EN PARKMACHINES \* TER AAR