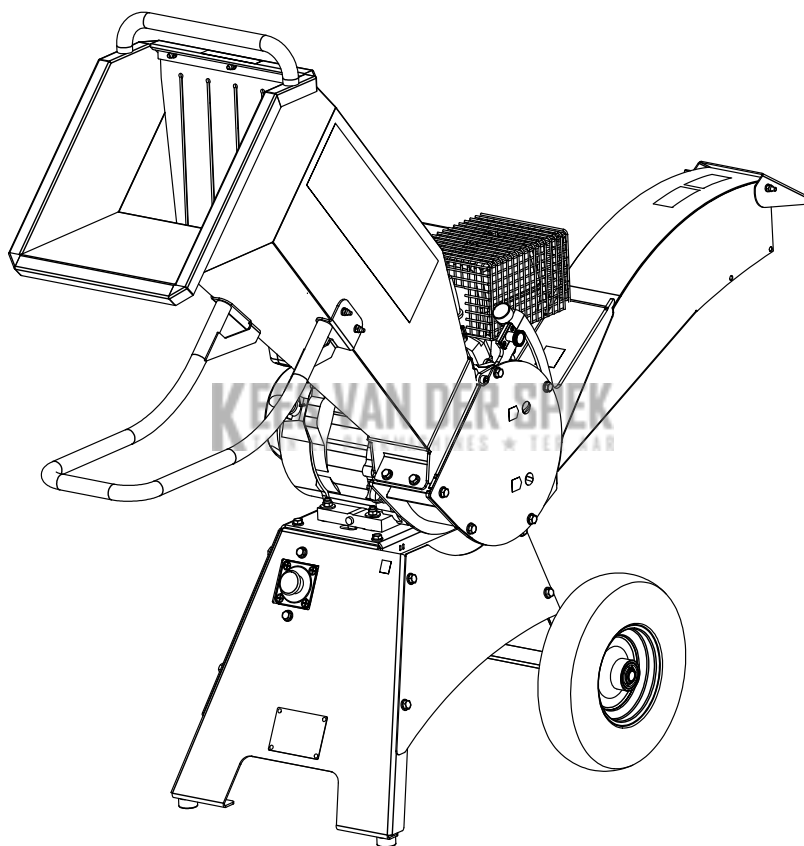




PARTS LIST BOOK



Wood Chipper

GTS750

www.gtmprofessional.com

Contents

A.	Parts list complete	4
B.	Engine and shredderbox	6
C.	Frame and wheels parts	10
D.	Input, handle and output parts.....	14

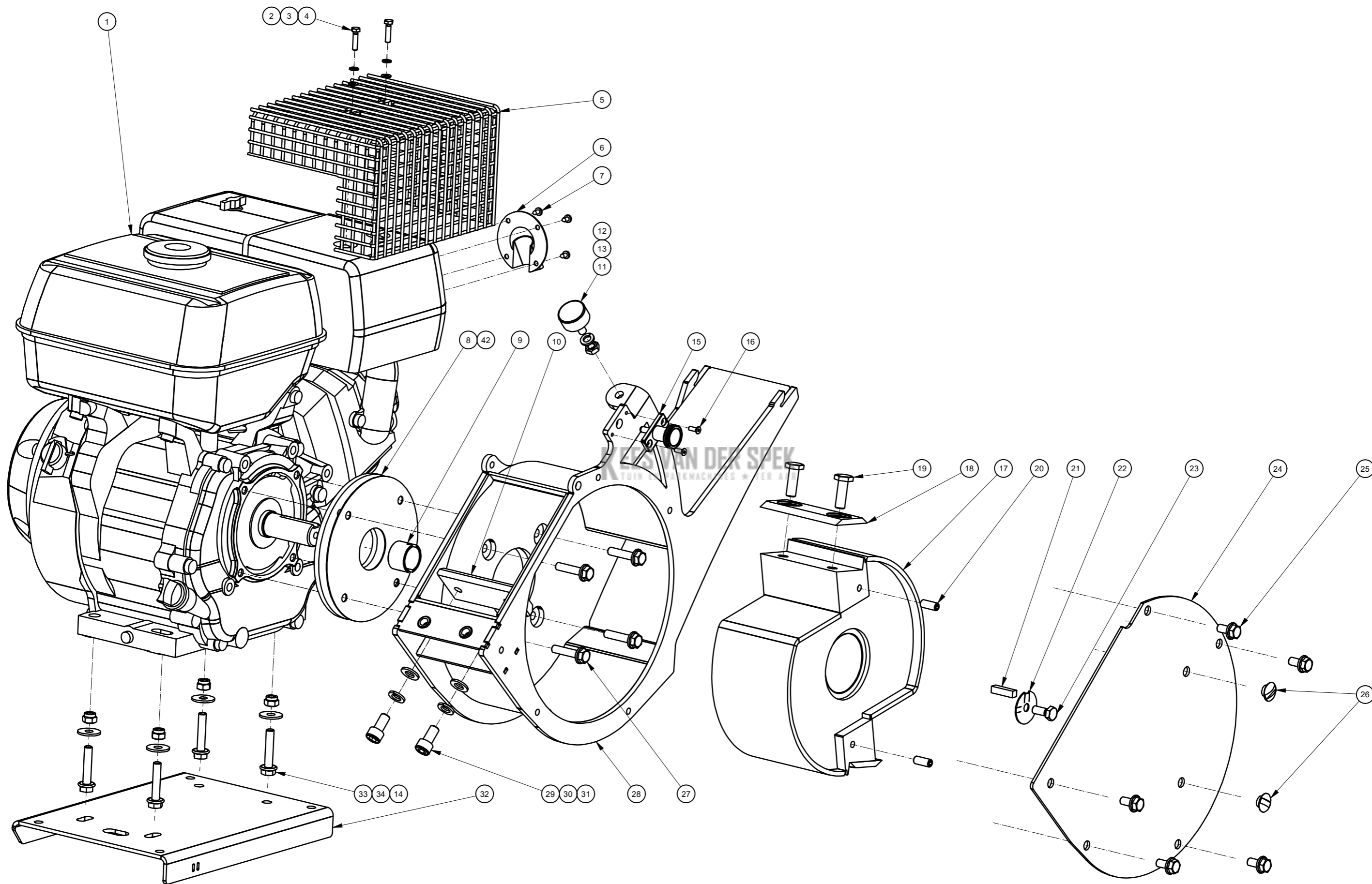
KEES VAN DER SPEK
TUIN EN PARKMACHINES ✦ TER AAR

A. Parts list complete

PARTNR.	ARTICLE NUMBER	PART NAME	QTY
1	MZSGTSC01GGTE270	Loncin engine G270	1
2	MZSGTSS040M0510PIR	plain washer 5	2
3	MZSGTSS040M0510LIR	open spring washer 5	2
4	MZSGTSS01M05020NFN	hex bolt M5x20	2
5	MZSGTSB050002000	heat protector Loncin/Honda	1
6	MZSGTSM03301500H	muffler deflector for Honda/Loncin engines	1
7	MZSGTSS01M04005TFN	cross recessed head tapping screw 4,2x9,5	4
8	MZSGTSM035047000	engine spacer	1
9	MZSGTSM015010000	bush for engine shaft 21mm	1
10	MZSGTSM035050000	counter blade GTS750	1
11	MZSGTSS210007000	vibration damper 15mm with stud M8	3
12	MZSGTSS03M08000N0N	hexagon standard nut M8	3
13	MZSGTSS040M0815LIR	open spring washer 8	3
14	MZSGTSS03M08000L0N	tall self lock nut with nylon insert M8	4
15	MZSGTSS14INDEXP1	index plunger dia 6mm	1
16	MZSGTSS01M04012CFN	hexagon head bolt partial thread M4x12	2
17	MZSGTSM035040000	rotor GTS750	1
18	MZSGTSM035049000	X1 blade GTS750	2
19	MZSGTSS01M10030XFN	special M10 bolt for blade	4
20	MZSGTSS01M08020J1S	set screw with flat point M8x20	2
21	MZSGTSM013003000	loncin-honda engine key	1
22	MZSGTSM033026000	safety ring for engine	1
23	MZSGTSS01M08020NFN	hex bolt M8x20	1
24	MZSGTSM036119000	shredder box plate	1
25	MZSGTSS01M08016FFN	flange bolt with hexagon head M8x16	5
26	MZSGTSS99M120800	thread plug M12x1.5-8	2
27	MZSGTSS01M08035FFN	flange bolt with hexagon head M8x35	4
28	MZSGTSM035041000	shredder box GTS750	1
29	MZSGTSS01M10020JFN	inner hexagon socket head cap bolt M10x20	2
30	MZSGTSS040M1016LIR	open spring washer 10	2
31	MZSGTSS040M1020PIR	plain washer 10	2
32	MZSGTSM035044000	engine fix plate	1
33	MZSGTSS01M08040FFN	flange bolt with hexagon head M8x40	4
34	MZSGTSS040M0820BIR	large washer 8	4
35	MZSGTSM036111000	front frame plate	1
36	MZSGTSM030213000	serial numberplate De Wild NL	1
37	MZSGTSS13AL32090	rivet 3.2x12	4
38	MZSGTSS03M08200R0N	blind rivet nut M8 long version	14
39	MZSGTSM036110000	plate for emergency switch	1
40	MZSGTSS01M08020FFN	flange bolt with hexagon head M8x20	18
41	MZSGTSA090070101	sub assembly emergency switch	1
41.1	MZSGTSE02SPCOE01	emergency switch	1
41.2	MZSGTSM053005000	feedthrough coil 30-20x10	1
41.3	MZSGTSS01M04016RFN	cross recessed pan head screw M4x16	4
41.4	MZSGTSS040M0408PIR	plain washer 4	4

PARTNR.	ARTICLE NUMBER	PART NAME	QTY
41.5	MZSGTSS03M04000N0N	hexagon standard nut M4	4
41.6	MZSGTSE03X007502	two core wire 0.75mm2	1
42	MZSGTSM035053000	engine spacer 1mm	1
46	MZSGTSM036115000	left connection plate	1
47	MZSGTSM035046000	back frame assembly	1
48	MZSGTSM036117000	right connection plate	1
49	MZSGTSC05W320A85	air tire 320x85 axle 20mm with bearings white	2
50	MZSGTSS09O20000001	circlips 20	2
51	MZSGTSM035045000	hopper GTS750	1
52	MZSGTSS03M06000X0N	star head nut M6	1
53	MZSGTSS040M0612PIR	plain washer 6	13
54	MZSGTSS01M06020BFN	hexagon socket button head screw M6x20	2
55	MZSGTSS03M06000L0N	tall self lock nut with nylon insert M6	9
56	MZSGTSM035043000	deflector	1
57	MZSGTSM030450000	deflector fix bracket	1
58	MZSGTSM035042000	output	1
59	MZSGTSS01M08130JFN	inner hexagon socket head cap bolt M8x130	1
60	MZSGTSS01M06020XPN	carriage bolt M6x20	4
61	MZSGTSM035048000	handle with radius	1
62	MZSGTSS01M06025NFN	hex bolt M6x25	3
63	MZSGTSM035052000	steel strip for rubber curtain GTS750	1
64	MZSGTSM055051000	hopper rubber	1
65	MZSGTSA07LPS07S1	loose part set GTS600V3	1

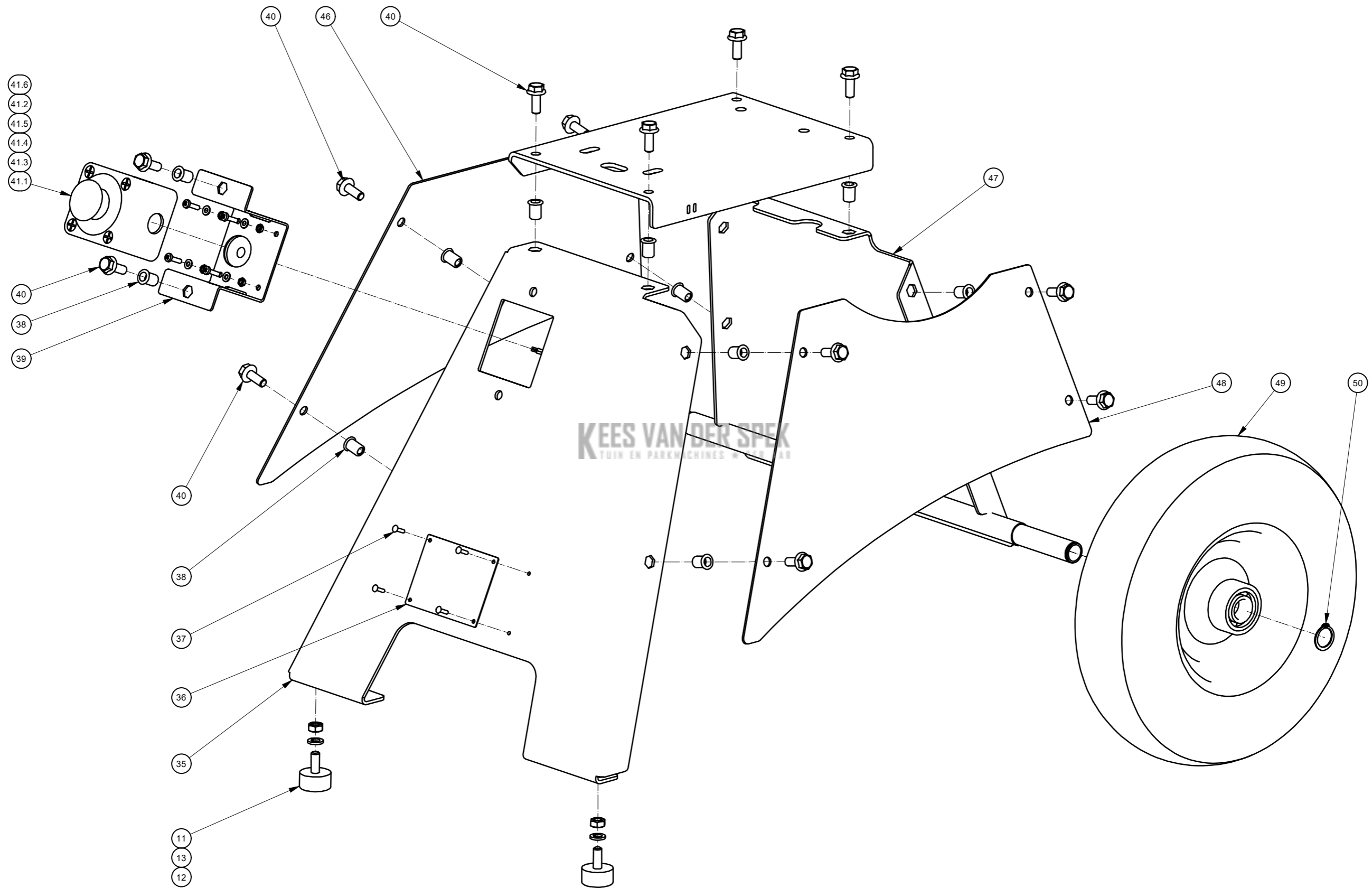
B. Engine and shredderbox



PARTNR.	ARTICLE NUMBER	PART NAME	QTY
1	MZSGTSC01GGTE270	Loncin engine G270	1
2	MZSGTSS040M0510PIR	plain washer 5	2
3	MZSGTSS040M0510LIR	open spring washer 5	2
4	MZSGTSS01M05020NFN	hex bolt M5x20	2
5	MZSGTSB050002000	heat protector Loncin/Honda	1
6	MZSGTSM03301500H	muffler deflector for Honda/Loncin engines	1
7	MZSGTSS01M04005TFN	cross recessed head tapping screw 4,2x9,5	4
8	MZSGTSM035047000	engine spacer	1
9	MZSGTSM015010000	bush for engine shaft 21mm	1
10	MZSGTSM035050000	counter blade GTS750	1
11	MZSGTSS210007000	vibration damper 15mm with stud M8	3
12	MZSGTSS03M08000N0N	hexagon standard nut M8	3
13	MZSGTSS040M0815LIR	open spring washer 8	3
14	MZSGTSS03M08000L0N	tall self lock nut with nylon insert M8	4
15	MZSGTSS14INDEXP1	index plunger dia 6mm	1
16	MZSGTSS01M04012CFN	hexagon head bolt partial thread M4x12	2
17	MZSGTSM035040000	rotor GTS750	1
18	MZSGTSM035049000	X1 blade GTS750	2
19	MZSGTSS01M10030XFN	special M10 bolt for blade	4
20	MZSGTSS01M08020J1S	set screw with flat point M8x20	2
21	MZSGTSM013003000	loncin-honda engine key	1
22	MZSGTSM033026000	safety ring for engine	1
23	MZSGTSS01M08020NFN	hex bolt M8x20	1
24	MZSGTSM036119000	shredder box plate	1
25	MZSGTSS01M08016FFN	flange bolt with hexagon head M8x16	5
26	MZSGTSS99M120800	thread plug M12x1.5-8	2
27	MZSGTSS01M08035FFN	flange bolt with hexagon head M8x35	4
28	MZSGTSM035041000	shredder box GTS750	1
29	MZSGTSS01M10020JFN	inner hexagon socket head cap bolt M10x20	2
30	MZSGTSS040M1016LIR	open spring washer 10	2
31	MZSGTSS040M1020PIR	plain washer 10	2
32	MZSGTSM035044000	engine fix plate	1
33	MZSGTSS01M08040FFN	flange bolt with hexagon head M8x40	4
34	MZSGTSS040M0820BIR	large washer 8	4
42	MZSGTSM035053000	engine spacer 1mm	1

KES VAN DER SPEK
 100% TITAN IN PARKMACHINES • TER AAR

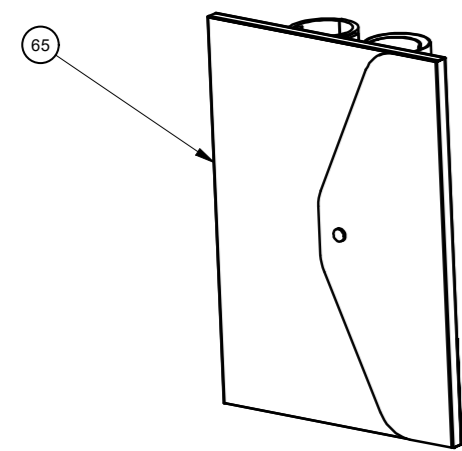
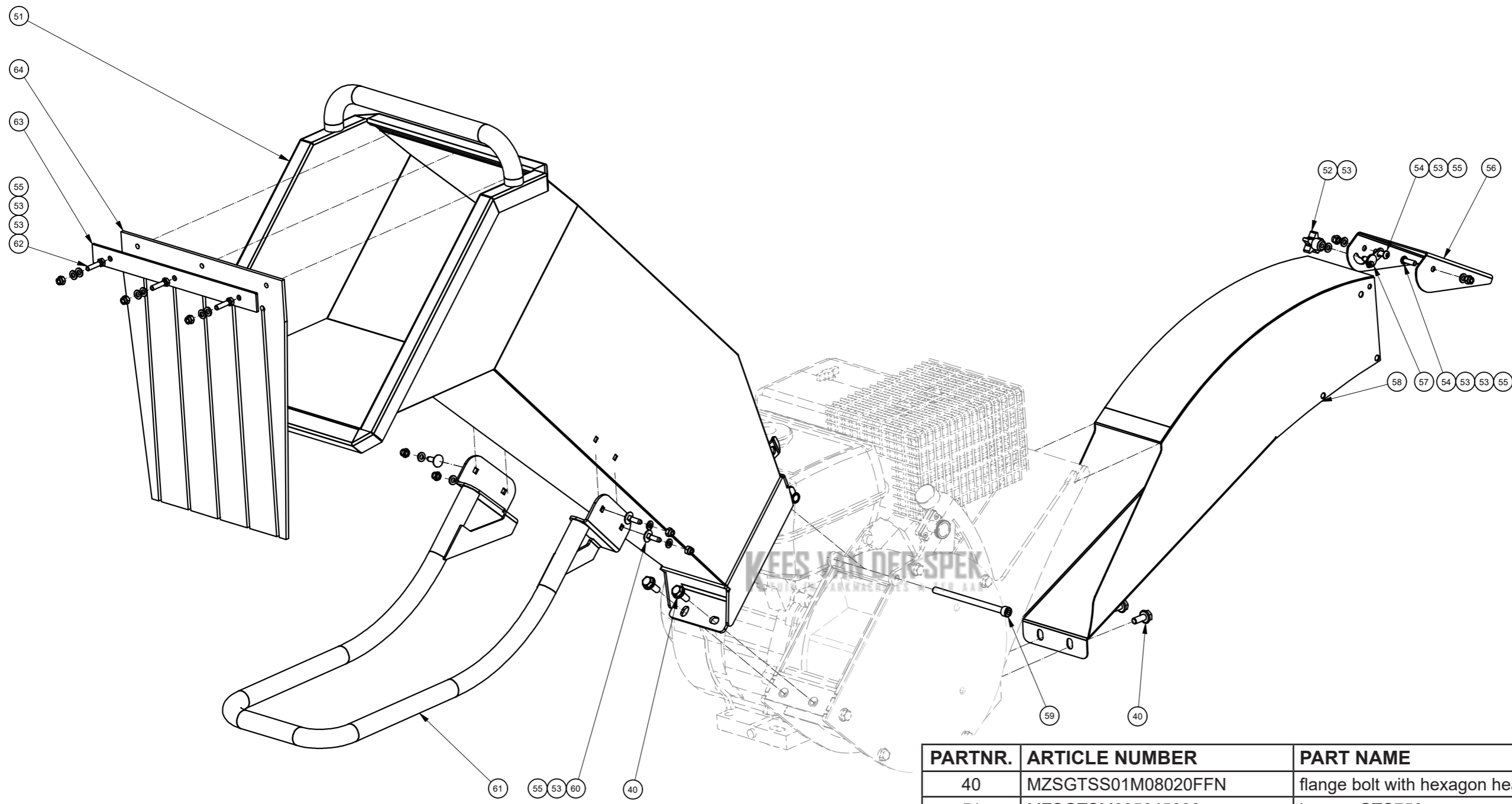
C. Frame and wheels parts



PARTNR.	ARTICLE NUMBER	PART NAME	QTY
11	MZSGTSS210007000	vibration damper 15mm with stud M8	3
12	MZSGTSS03M08000N0N	hexagon standard nut M8	3
13	MZSGTSS040M0815LIR	open spring washer 8	3
35	MZSGTSM036111000	front frame plate	1
36	MZSGTSM030213000	serial numberplate De Wild NL	1
37	MZSGTSS13AL32090	rivet 3.2x12	4
38	MZSGTSS03M08200R0N	blind rivet nut M8 long version	14
39	MZSGTSM036110000	plate for emergency switch	1
40	MZSGTSS01M08020FFN	flange bolt with hexagon head M8x20	18
41	MZSGTSA090070101	sub assembly emergency switch	1
41.1	MZSGTSE02SPCOE01	emergency switch	1
41.2	MZSGTSM053005000	feedthrough coil 30-20x10	1
41.3	MZSGTSS01M04016RFN	cross recessed pan head screw M4x16	4
41.4	MZSGTSS040M0408PIR	plain washer 4	4
41.5	MZSGTSS03M04000N0N	hexagon standard nut M4	4
41.6	MZSGTSE03X007502	two core wire 0.75mm2	1
46	MZSGTSM036115000	left connection plate	1
47	MZSGTSM035046000	back frame assembly	1
48	MZSGTSM036117000	right connection plate	1
49	MZSGTSC05W320A85	air tire 320x85 axle 20mm with bearings white	2
50	MZSGTSS09O20000001	circlips 20	2

KEES VAN DER SPEK
TUIN EN PARKMACHINES • TER AAR

D. Input, handle and output parts



PARTNR.	ARTICLE NUMBER	PART NAME	QTY
40	MZSGTSS01M08020FFN	flange bolt with hexagon head M8x20	18
51	MZSGTSM035045000	hopper GTS750	1
52	MZSGTSS03M06000X0N	star head nut M6	1
53	MZSGTSS040M0612PIR	plain washer 6	13
54	MZSGTSS01M06020BFN	hexagon socket button head screw M6x20	2
55	MZSGTSS03M06000L0N	tall self lock nut with nylon insert M6	9
56	MZSGTSM035043000	deflector	1
57	MZSGTSM030450000	deflector fix bracket	1
58	MZSGTSM035042000	output	1
59	MZSGTSS01M08130JFN	inner hexagon socket head cap bolt M8x130	1
60	MZSGTSS01M06020XPN	carriage bolt M6x20	4
61	MZSGTSM035048000	handle with radius	1
62	MZSGTSS01M06025NFN	hex bolt M6x25	3
63	MZSGTSM035052000	steel strip for rubber curtain GTS750	1
64	MZSGTSM055051000	hopper rubber	1
65	MZSGTSA07LPS07S1	loose part set GTS600V3	1

KEES VAN DER SPEK
TUIN EN PARKMACHINES * TER AAR

GTM
P R O F E S S I O N A L

www.gtmprofessional.com