

## MT 4100 SP (Euro 2) Chainsaw



### Documenten

Engine

---

Starter assy

---

Crankcase assy

---

Tank and handle

---

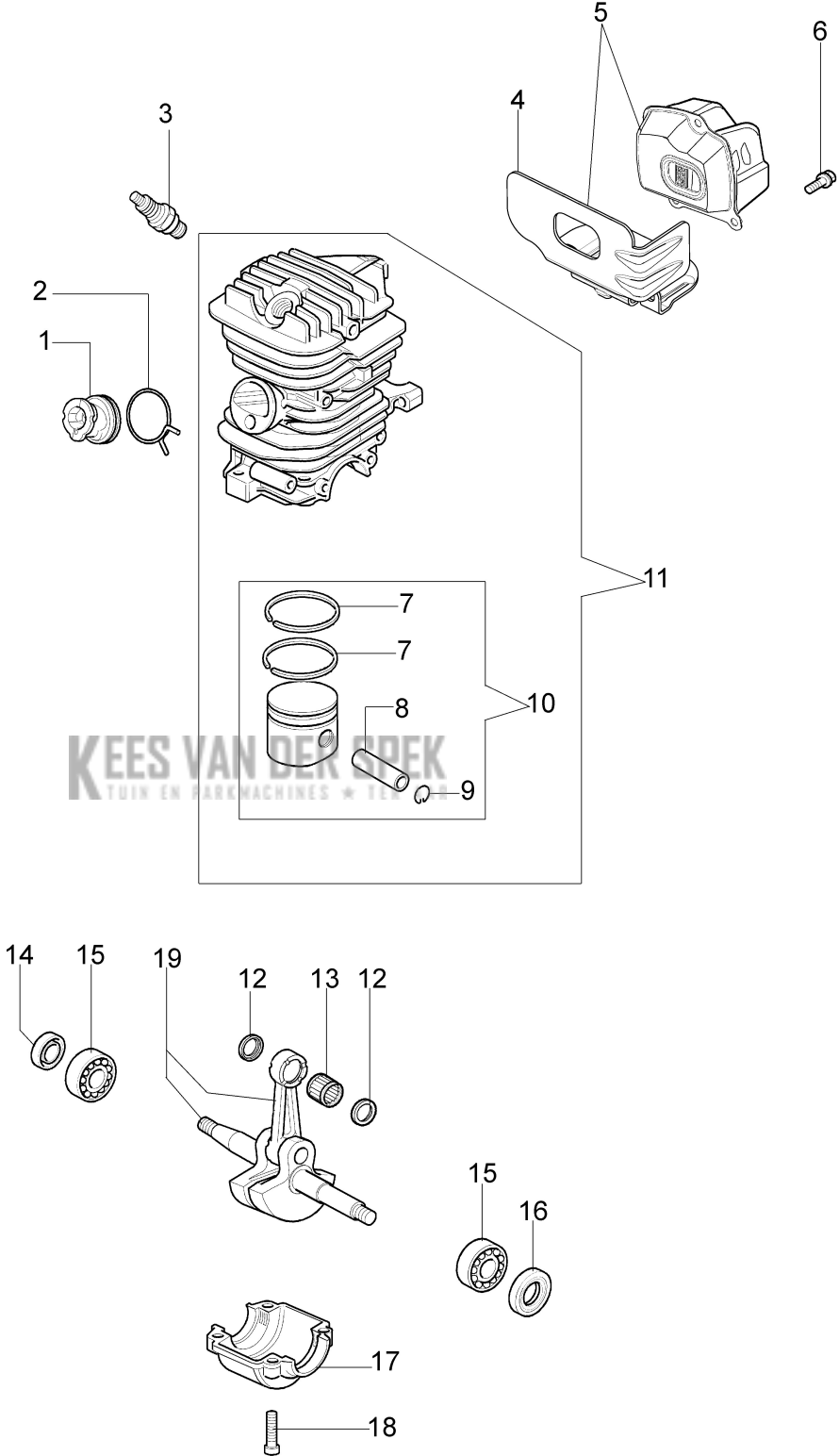
Clutch and brake

---

Carburettor WT-780D

---

**KEES VAN DER SPEK**  
TUIN EN PARKMACHINES \* TER AAR

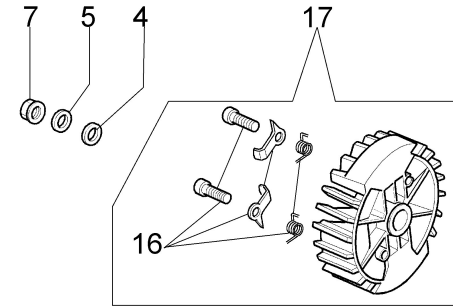
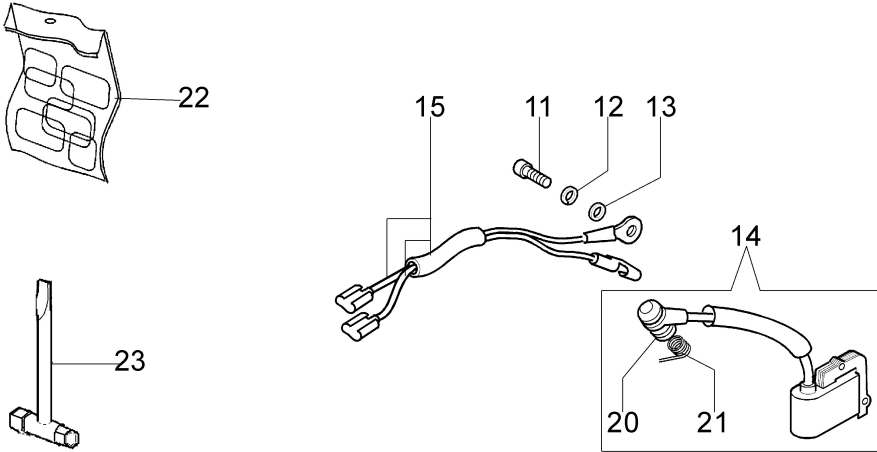


## Illustratie Engine

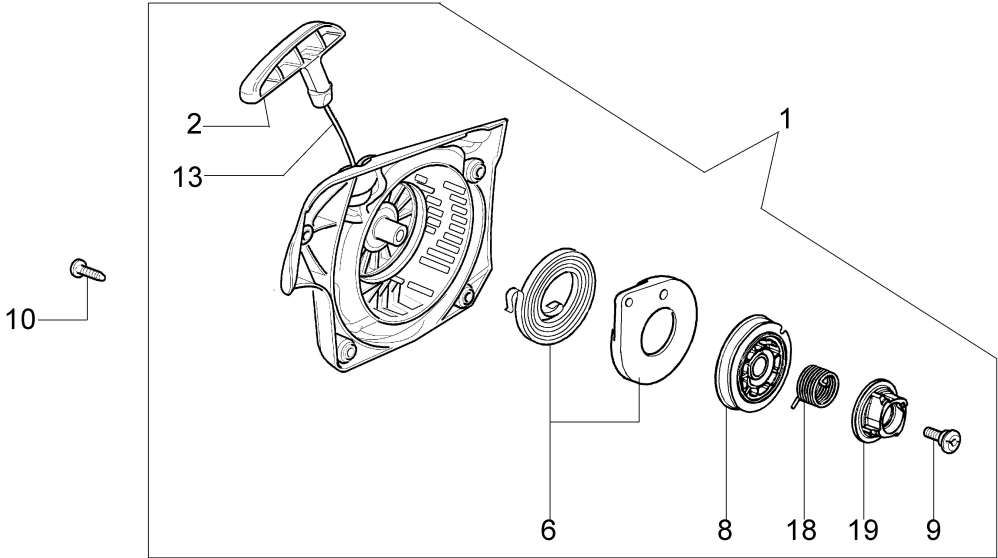
---

Ref.Nu	Qty	Part number	Description	Validity from	Validity till	Notes	Bulletin
1	1	50170010R	Manifold				
2	1	094600103	Band				
3	1	3055101	Spark plug				
4	1	50170186R	Gasket				
5	1	50170189AR	Muffler				
6	3	3860117R	Screw				
7	2	074000405R	Piston ring				
8	1	50110047R	Piston pin				
9	2	004900061R	Ring				
10	1	50120034A	Piston assy Ø40				
11	1	50172021	Complete cylinder				
12	2	50110043AR	Spacer				
13	1	50110044R	Bearing				
14	1	50272004R	Seal ring				
15	1	094000006R	Bearing				
16	1	3050024AR	Seal ring				
17	1	50050016AR	Cover				
18	4	3801047	Screw				
19	1	50110045R	Crankshaft				

**KEES VAN DER SPEK**  
TUIN EN PARKMACHINES \* TER AAR



**KEES VAN DER SPEK**  
 TUIN EN PARKMACHINES \* TER AAR

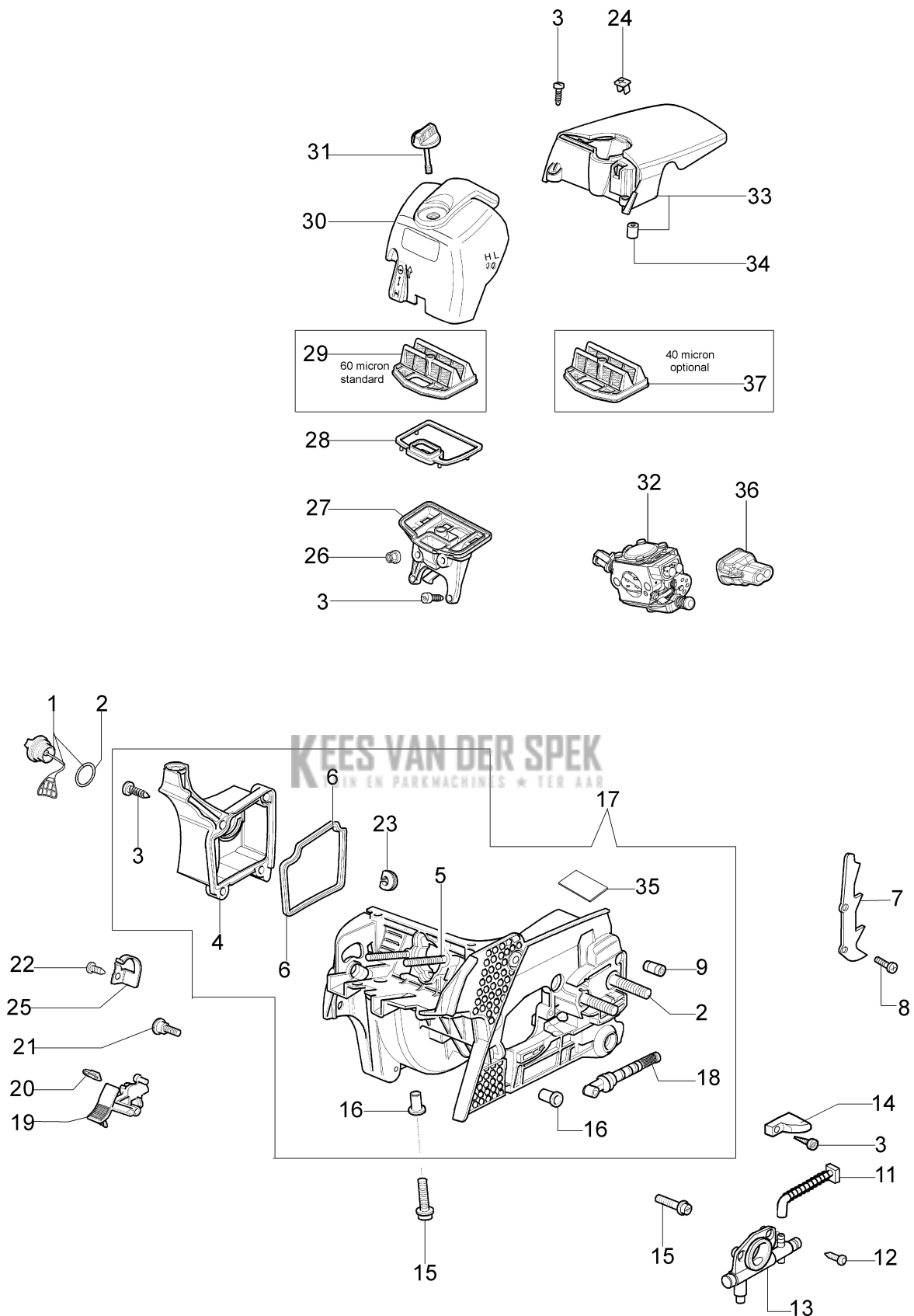


## Illustratie Starter assy

---

Ref.Nu	Qty	Part number	Description	Validity from	Validity till	Notes	Bulletin
1	1	50172005R	Starter assy				
2	1	50170017R	Starter handle				
3	1	50070123R	Starter rope				
4	1	005000361	Washer				
5	1	3833080R	Washer				
6	1	50050073R	Spring				
7	1	004000142R	Nut				
8	1	50170153R	Starter pulley				
9	1	50160024	Screw				
10	4	3960115R	Screw				
11	2	3960075R	Screw				
12	2	006000315R	Washer				
13	2	3916004R	Washer				
14	1	50170144CR	Ignition coil				
15	1	50170090R	Cable				
16	1	50072029	Pawl				
17	1	50170015R	Flywheel				
18	1	50170154R	Spring				
19	1	50170155R	Sprocket				
20	1	50050126	Spark plug cap				
21	1	50050127	Spring				
22	1	50172032	Labels kit				
23	1	2304017	Wrench 13x16				

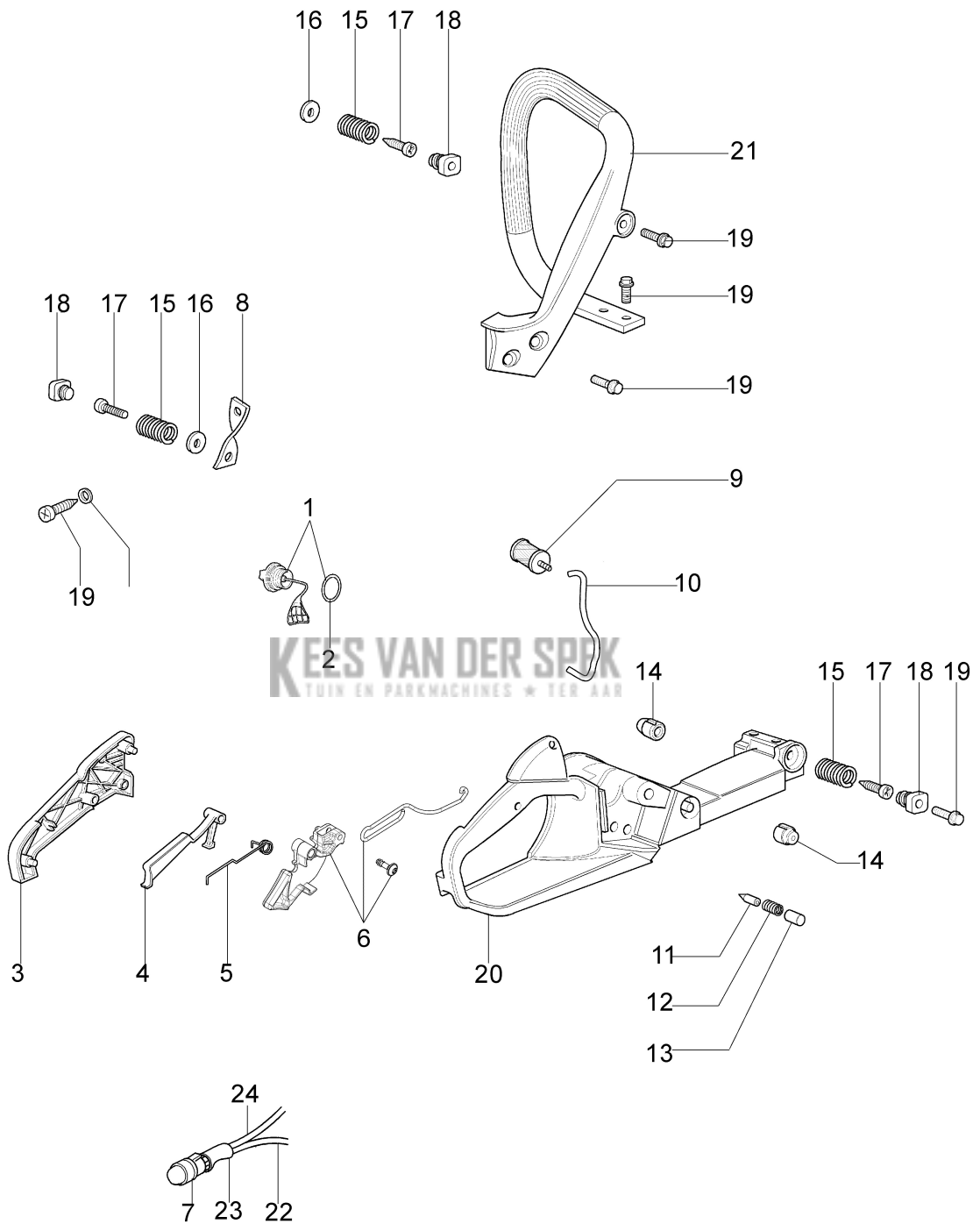
**KEES VAN DER SPEK**  
TUIN EN PARKMACHINES \* TER AAR



## Illustratie Crankcase assy

Ref.Nu	Qty	Part number	Description	Validity from	Validity till	Notes	Bulletin
1	1	50052005R	Tank cap				
2	1	3049025	O-ring				
3	11	3960115R	Screw				
4	1	50170071R	Cover				
5	5	50070067A	Tie rod				
6	1	50170004R	Gasket				
7	1	50170042R	Spike				
8	2	3960099R	Screw				
9	1	097000229R	Breather valve				
10	2	50050052R	Stud				
11	1	50050049R	Tube				
12	3	3960074	Screw				
13	1	50170051BR	Oil pump				
14	1	094600369R	Guard				
15	5	3860099R	Screw				
16	5	50050067	Spacer				
17	1	50172009R	Crankcase				
18	1	50170149R	Oil filter				
19	1	50170060AR	Lever				
20	1	50170062R	Plate				
21	1	50160024	Screw				
22	1	3960070AR	Screw				
23	1	005000347AR	Grommet				
24	1	50170032R	Deflector				
25	1	50170061R	Spring				
26	2	3933100R	Nut				
27	1	50170132R	Support				
28	1	50050056BR	Gasket				
29	1	50170036R	Air filter				
30	1	50170079AR	Cover				
31	1	50110007R	Knob				
32	1	2318755DR	Carburetor WT-780F				
33	1	50172020R	Cover				
34	1	50070126R	Spacer				
35	1	50170033R	Guard				
36	1	50170150R	Screw guide				
37	1	50170231R	Air filter optional				

**KEES VAN DER SPEK**  
TUIN EN PARKMACHINES \* TER AAR

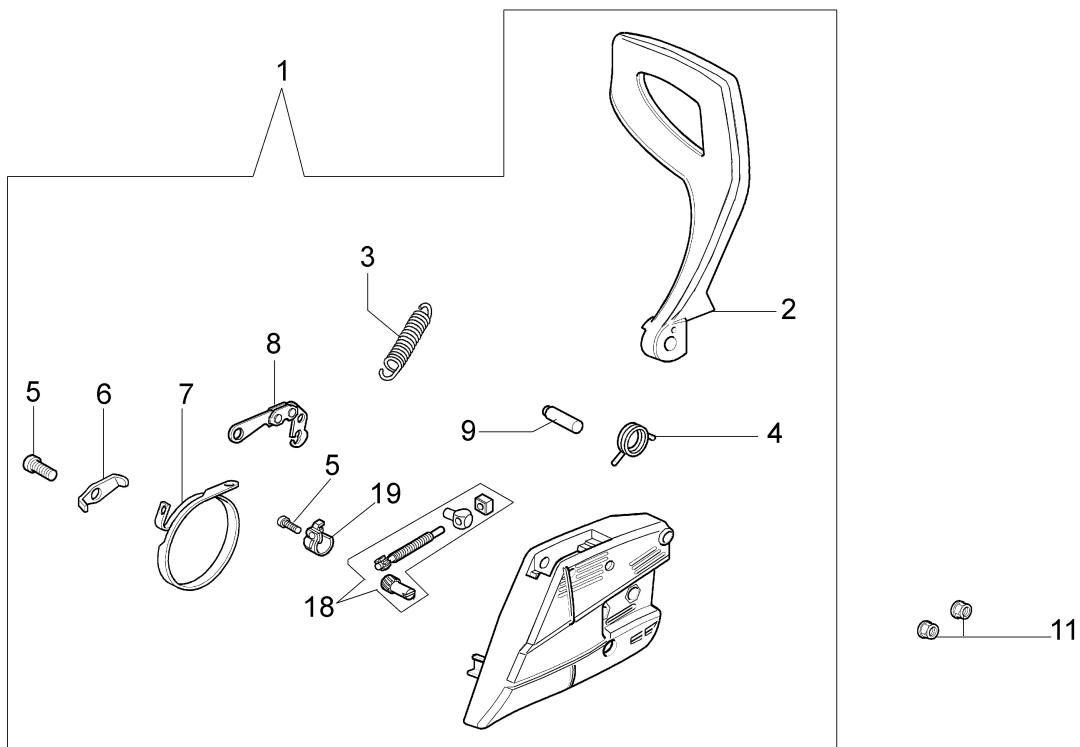


## Illustratie Tank and handle

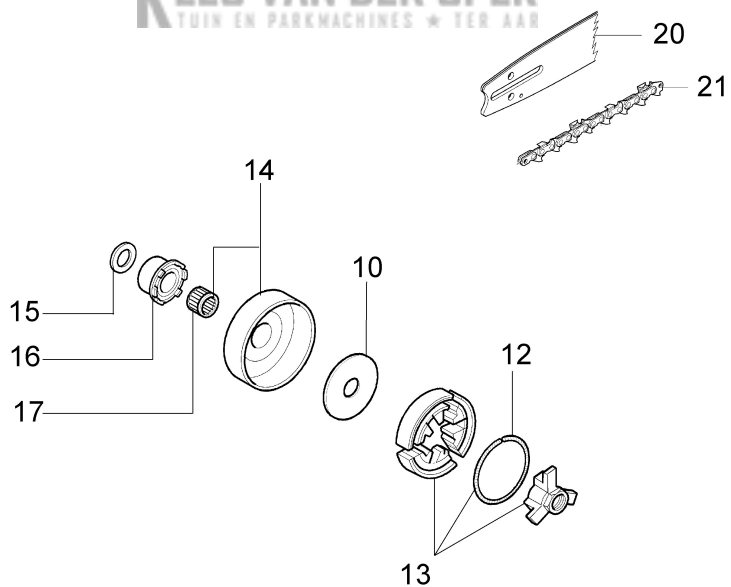
---

Ref.Nu	Qty	Part number	Description	Validity from	Validity till	Notes	Bulletin
1	1	50052005R	Tank cap				
2	1	3049025	O-ring				
3	1	50170024R	Cover				
4	1	50050096AR	Lever				
5	1	097000028R	Spring				
6	1	50170249A	Throttle kit				BT4-104-06/10
7	1	2318817R	Air purge				
8	1	50050123R	Strap				
9	1	094600450R	Fuel filter				
10	1	50170152R	Tube				
11	1	094500577AR	Breather valve				
12	1	094500575R	Spring				
13	1	50050071R	Breather valve				
14	3	50010061R	AV-mount				
15	3	50050047AR	Spring				BT4-101-10/09
16	1	3918010R	Washer				
17	3	3960115R	Screw				
18	3	50170034R	Support				
19	7	3960099R	Screw				
20	1	50172007AR	Tank				
21	1	50170026R	Handle				
22	1	50170224R	Tube				
23	1	50170121R	Sheath				
24	1	50170321R	Tube				

**KEES VAN DER SPEK**  
TUIN EN PARKMACHINES \* TER AAR



**KEES VAN DER SPEK**  
 TUIN EN PARKMACHINES \* TER AAR

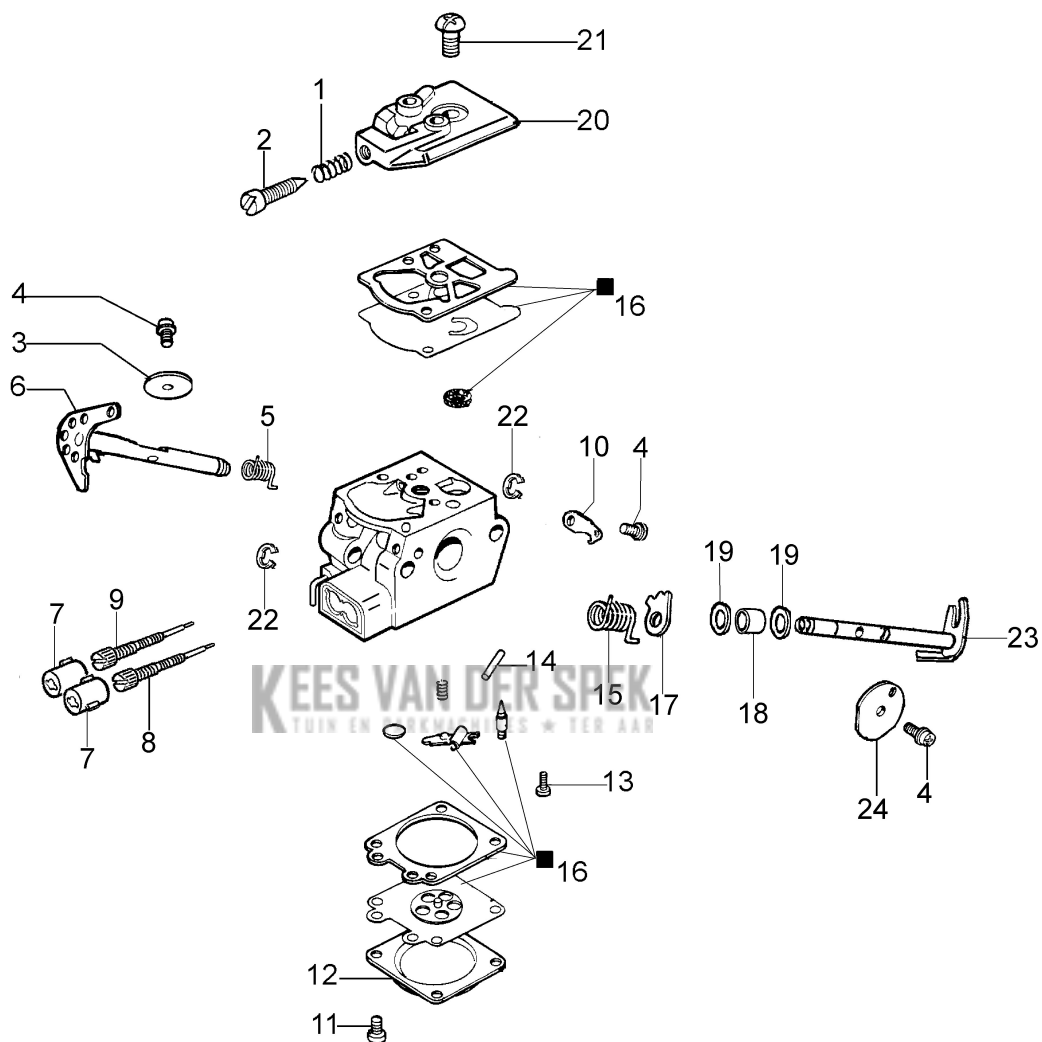


## Illustratie Clutch and brake

---

Ref.Nu	Qty	Part number	Description	Validity from	Validity till	Notes	Bulletin
1	1	50170065R	Chain cover assy				
2	1	50170040R	Guard				
3	1	095000219AR	Spring				
4	1	50010088AR	Spring				
5	2	3960070AR	Screw				
6	1	50050125R	Plate				
7	1	50050039R	Brake band				
8	1	097000146	Lever				
9	1	50050064R	Pin				
10	1	004000352R	Washer				
11	2	50010148R	Nut				
12	1	094500029	Spring				
13	1	094000129AR	Clutch				
14	1	50060033A	Chain sprocket .325				
15	1	004400285	Washer				
16	1	50060008R	Worm gear .325				
17	1	50030372	Bearing				
18	1	50162017A	Chain tensioner kit				
19	1	50170044R	Cover				
20	1	50062014R	Bar 16" - 41 cm				
21	1	30629508	Efco chain .325" x .050" (1,3mm)				

**KEES VAN DER SPEK**  
TUIN EN PARKMACHINES \* TER AAR



16 ■ KIT RIPARAZIONE  
REPAIR KIT

## Illustratie Carbuirettor WT-780D

---

Ref.Nu	Qty	Part number	Description	Validity from	Validity till	Notes	Bulletin
1	1	094600148	Spring				
2	1	074000240	Adjust. screw				
3	1	095000141	Shutter				
4	3	50010141	Screw				
5	1	094600208	Spring				
6	1	2318753	Shaft				
7	2	2318867R	Caps-lock				
8	1	2318837	Adjust. screw				
9	1	2318893	Screw L				
10	1	2318743	Throttle lever				
11	4	035000162	Screw				
12	1	2318191	Cover				
13	1	003300202	Screw				
14	1	003300201	Spindle				
15	1	50050115	Spring				
16	1	2318671	Repair kit				
17	1	2318742	Lever				
18	1	2318751	Bushing				
19	2	50010265	Washer				
20	1	50050107	Cover				
21	1	003300197	Screw				
22	2	095000164	Ring				
23	1	2318764	Shaft				
24	1	094600140	Shutter				

**KEES VAN DER SPEK**  
TUIN EN PARKMACHINES \* TER AAR