

## MTH 4000 (Euro 2) Chainsaw



### Documenten

Engine

---

Ignition system

---

Crankcase

---

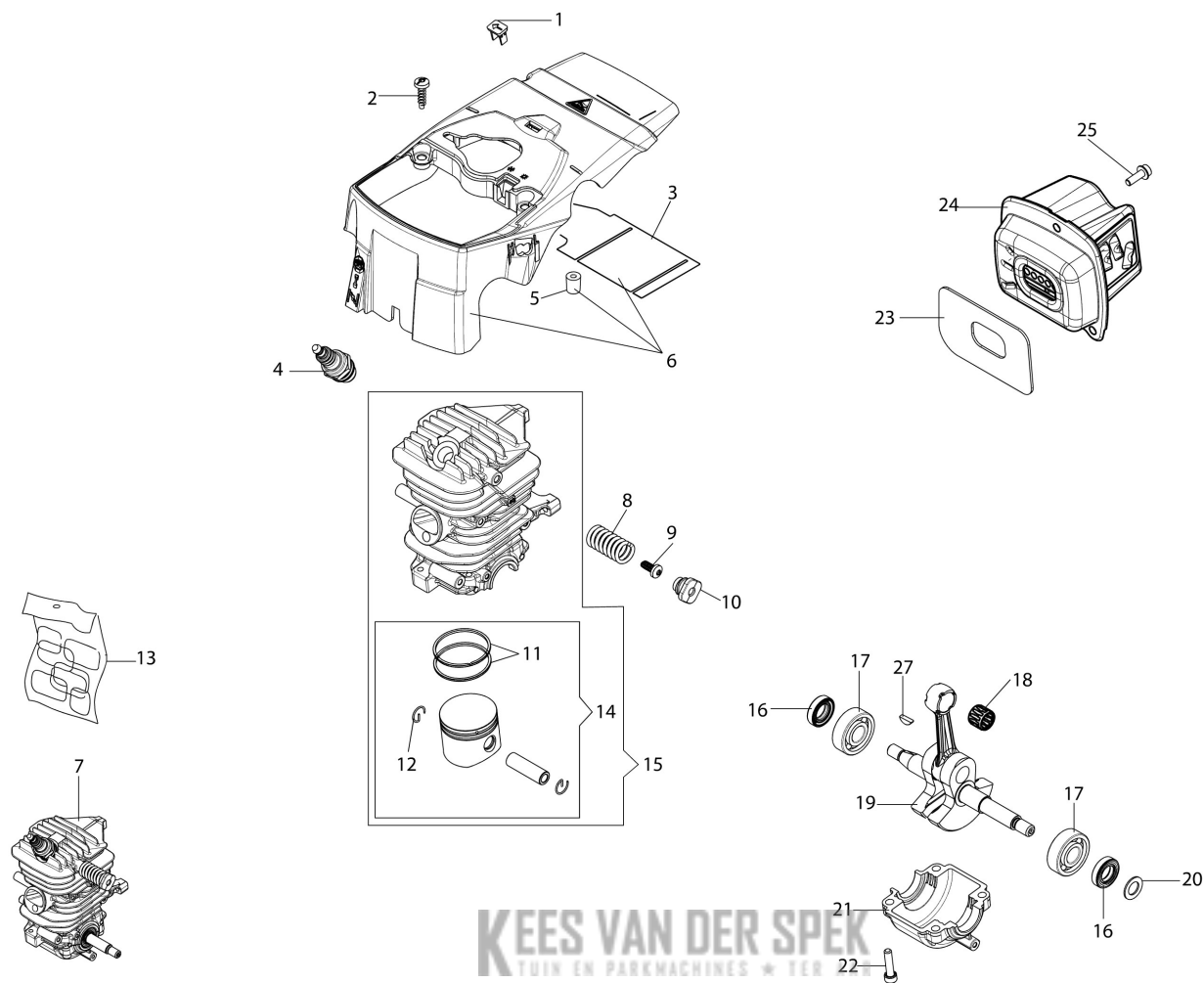
Tank

---

Chain cover

---

**KEES VAN DER SPEK**  
TUIN EN PARKMACHINES ★ TER AAR



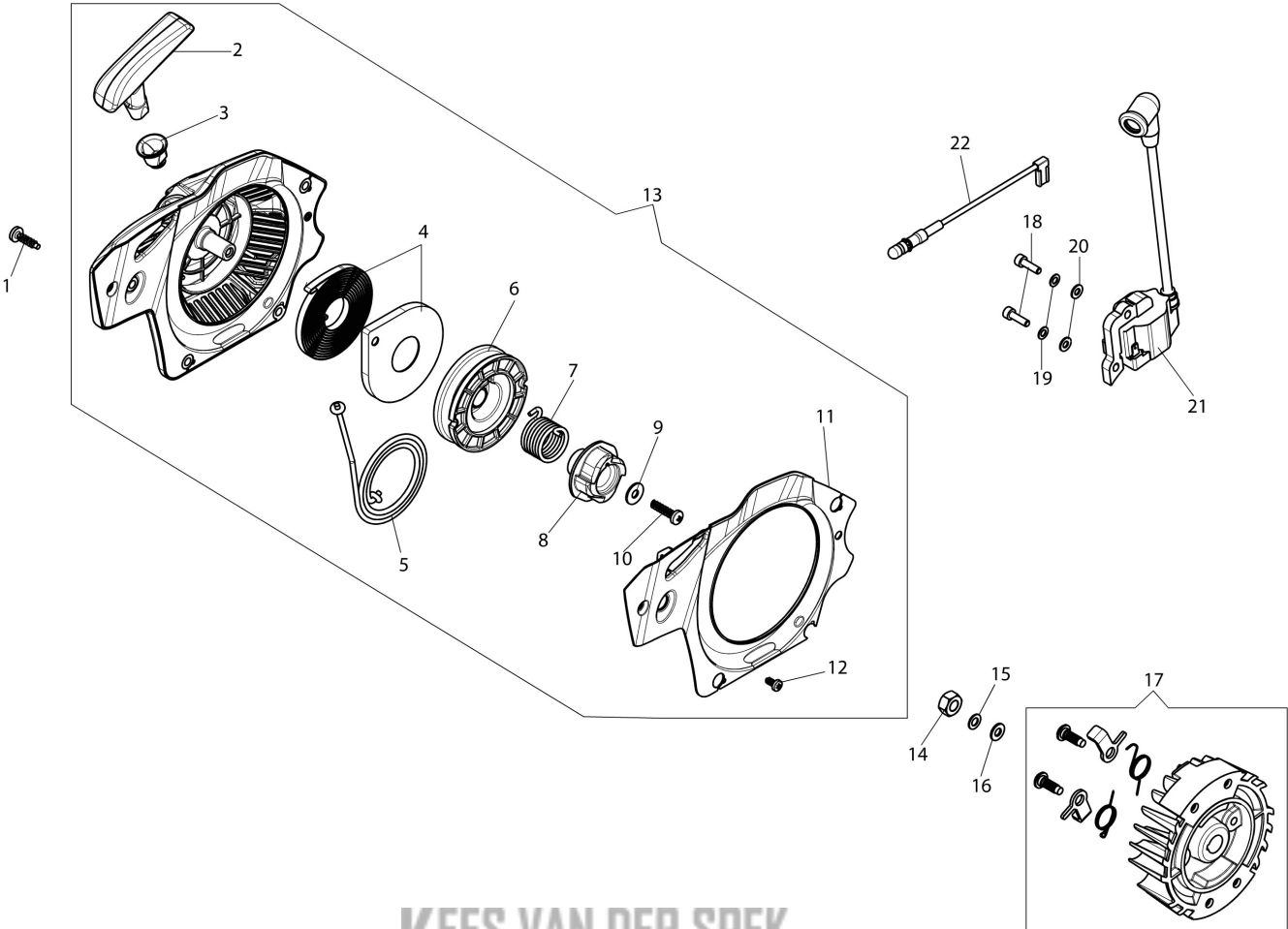
KEES VAN DER SPEK  
TUIN EN PARKMACHINES \* TER

## Illustratie Engine

---

Ref.Nu	Qty	Part number	Description	Validity from	Validity till	Notes	Bulletin
1	1	50170032R	Plate				
2	3	3960115R	Screw				
3	1	50330075R	Guard				
4	1	3055104R	Spark plug				
5	1	50070126R	Spacer				
6	1	50330084	Engine cover				
7	1	50330088R	Short block				
8	1	50050047AR	Spring				
9	1	3960073R	Screw				
10	1	50170034R	Support				
11	2	61450014R	Piston ring				
12	2	61450013R	Ring				
13	1	50330087	Labels kit				
14	1	61450187R	Piston assy				
15	1	50330085	Complete cylinder				
16	2	50272004R	Seal ring				
17	2	094000006R	Bearing				
18	1	50110044R	Bearing				
19	1	50330001AR	Crankshaft				
20	1	004400285	Washer				
21	1	50330016R	Cover				
22	4	3801051R	Screw				
23	1	50170031R	Gasket				
24	1	50180121R	Muffler				
25	3	3860117R	Screw				
27	1	50310118R	Key				

**KEES VAN DER SPEK**  
TUIN EN PARKMACHINES \* TER AAR



**KEES VAN DER SPEK**  
TUIN EN PARKMACHINES \* TER AAR

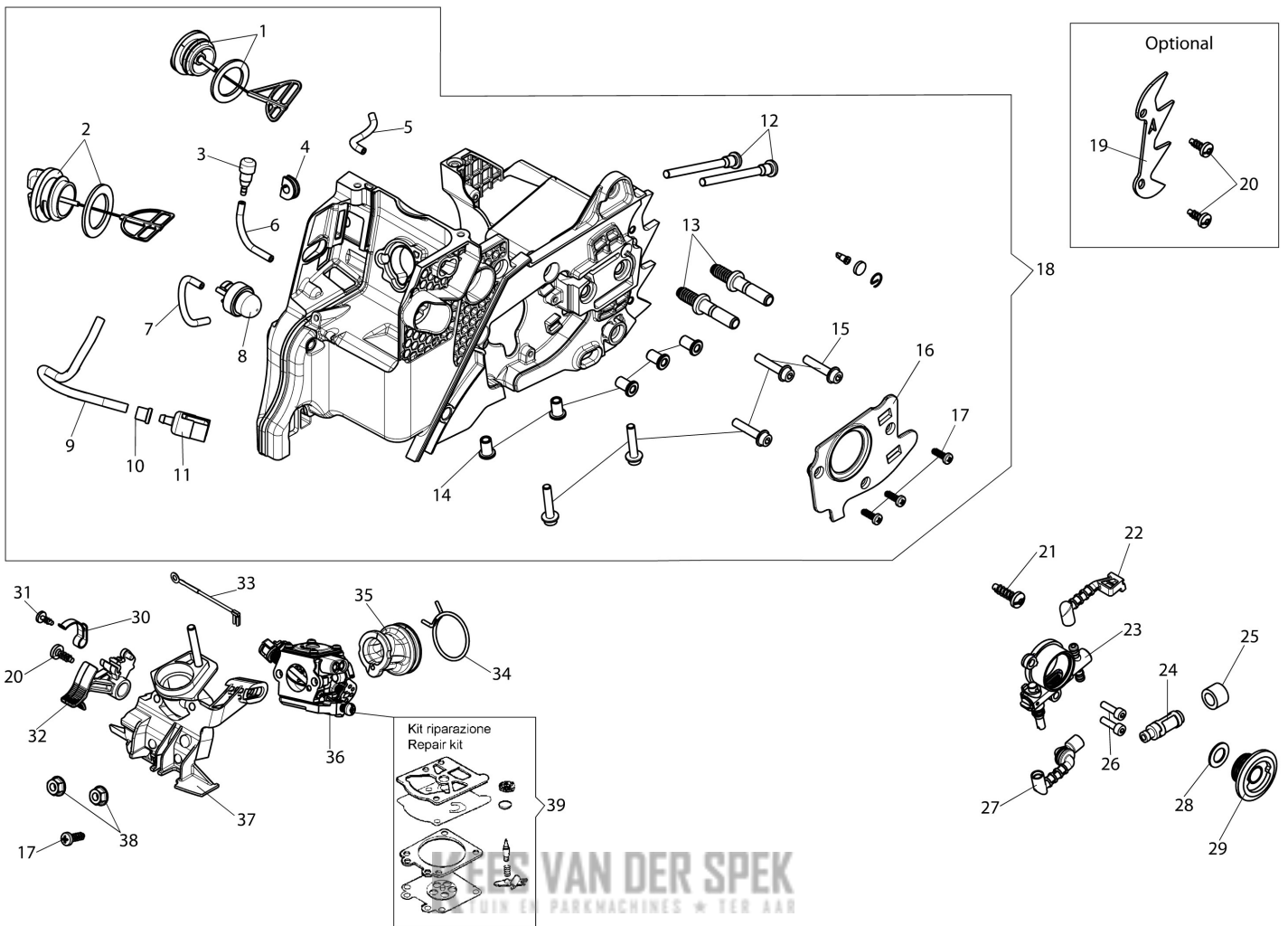
## Illustratie Ignition system

---

Ref.Nu	Qty	Part number	Description	Validity from	Validity till	Notes	Bulletin
1	4	3960115R	Screw				
2	1	50170017R	Starter handle				
3	1	094000038	Bushing				
4	1	50310260	Kit spring				
5	1	50070123R	Starter rope				
6	1	50310302R	Pulley				
7	1	50270231R	Spring				
8	1	50310301R	Sprocket				
9	1	094600054R	Washer				
10	1	3960164R	Screw				
11	1	50330069AR	Flange				
12	1	3960167R	Screw				
13	1	50332030R	Starter assy				
14	1	004000142R	Nut				
15	1	3916009R	Washer				
16	1	3833080R	Washer				
17	1	50330115AR	Flywheel				
18	2	3801087R	Screw				
19	2	006000315R	Washer				
20	2	3916004R	Washer				
21	1	2501022AR	Ignition coil				
22	1	50330027R	Cable				

**KEES VAN DER SPEK**  
TUIN EN PARKMACHINES \* TER AAR

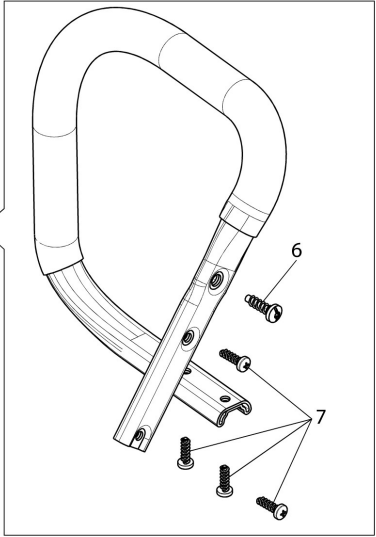
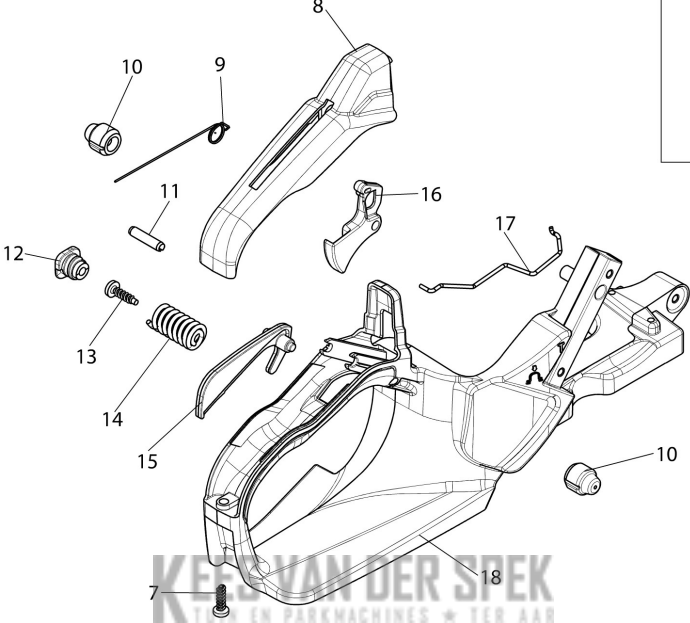
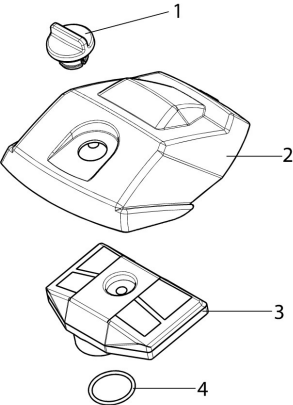
# Illustratie Crankcase



## Illustratie Crankcase

Ref.Nu	Qty	Part number	Description	Validity from	Validity till	Notes	Bulletin
1	1	50310166AR	Oil cap				
2	2	50310165AR	Tank cap				
3	1	61070011AR	Breather valve				
4	1	005000347AR	Grommet				
5	1	50240067R	Tube				
6	1	61370552R	Tube				
7	1	50170321R	Tube				
8	1	2318817R	Air purge				
9	1	3073015R	Tube				
10	1	61110162BR	Bushing				
11	1	094600450R	Fuel filter				
12	2	50070067A	Tie rod				
13	2	50050052R	Stud				
14	5	50050067R	Spacer				
15	5	3860099R	Screw				
16	1	50330048AR	Oil pump cover				
17	3	3960161R	Screw				
18	1	50332013R	Crankcase assy				
19	1	50310142R	Spike				
20	2	3960070AR	Screw				
21	1	3960099R	Screw				
22	1	50330064R	Hose				
23	1	50330050R	Oil pump				
24	1	50310079R	Oil filter				
25	1	50310080R	Sponge				
26	2	3801087R	Screw				
27	1	50330063AR	Suction tube				
28	1	004400285	Washer				
29	1	50330049R	Worm gear				
30	1	50240061R	Spring				
31	1	3960109AR	Screw				
32	1	50240060BR	Lever				
33	1	50330026R	Engine stop wire				
34	1	094600103	Band				
35	1	50170010R	Manifold				
36	1	50240045R	Carburetor				
37	1	50330040AR	Air filter support				
38	2	3914003R	Nut				
39	1	2318340	Repair kit				

**KEES VAN DER SPEK**  
TUIN EN PARKMACHINES \* TER AAR



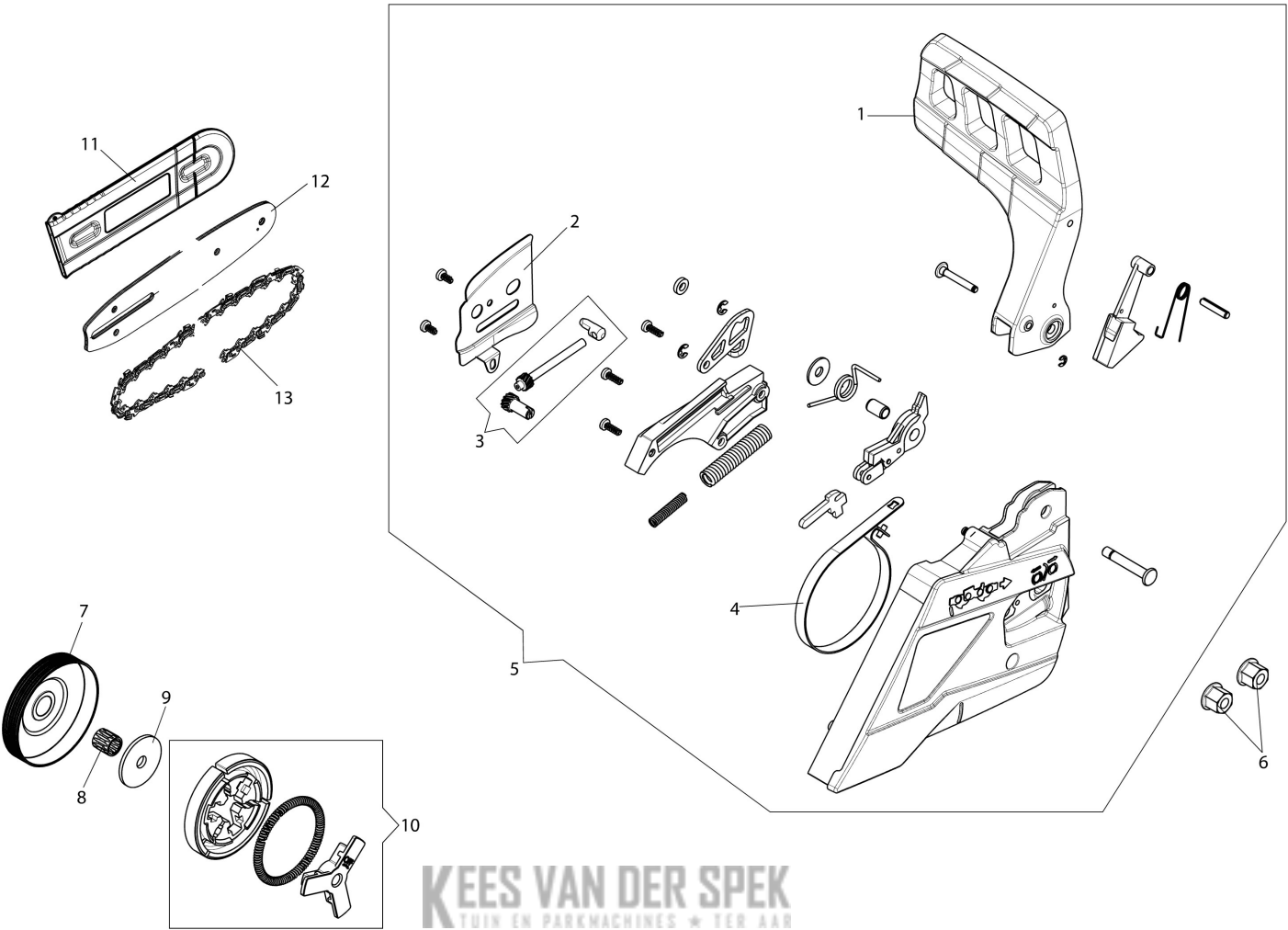
KEES VAN DER SPEK  
TOEGELIJD EN PARKMACHINES \* TER AAR

## Illustratie Tank

---

Ref.Nu	Qty	Part number	Description	Validity from	Validity till	Notes	Bulletin
1	1	50310037AR	Knob				
2	1	50330074R	Air filter cover				
3	1	50330082R	Air filter				
4	1	50310155R	Gasket				
5	1	50332007BR	Handle				
6	1	3960099R	Screw				
7	5	3960165R	Screw				
8	1	50330022BR	Cover				
9	1	50310091R	Spring				
10	2	50010061R	AV-mount				
11	1	3022039R	Locking sleeve				
12	2	50170034R	Support				
13	2	3960115R	Screw				
14	2	50050047AR	Spring				
15	1	50310090AR	Lever				
16	1	50310092AR	Throttle lever				
17	1	50330078R	Throttle rod				
18	1	50330021BR	Handle				

**KEES VAN DER SPEK**  
TUIN EN PARKMACHINES \* TER AAR



## Illustratie Chain cover

---

Ref.Nu	Qty	Part number	Description	Validity from	Validity till	Notes	Bulletin
1	1	50330017BR	Hand guard				
2	1	50330024AR	Plate				
3	1	50310263	Chain tensioner screw kit				
4	1	50310027R	Brake band				
5	1	50332021R	Chain cover assy				
6	2	50010148R	Nut				
7	1	50330034AR	Clutch drum				
8	1	50030372	Roller cage				
9	1	50330035R	Washer				
10	1	50330130R	Clutch				
11	1	1144043R	Bar cover - 40 cm				
12	1	50030212R	Bar 14" - 35 cm				
12	1	50052019R	Bar 16" - 41 cm				
13	1	30629526A	Efco chain .3/8" x .050" (1,3mm)				
13	1	30629528A	Efco chain .3/8" x .050" (1,3mm)				

**KEES VAN DER SPEK**  
TUIN EN PARKMACHINES \* TER AAR