

MZ 2075 RK (K800 H - SN TA32) Rotary tiller



Documenten

Gears

Frame

Unit (Bonnetts)

Tiller

Handlebar

Optional

Cylinder head

Starter assy

Crankcase assy

Crankcase cover

Crankshaft and piston

Valve and governor

Flywheel and coil

Control lever

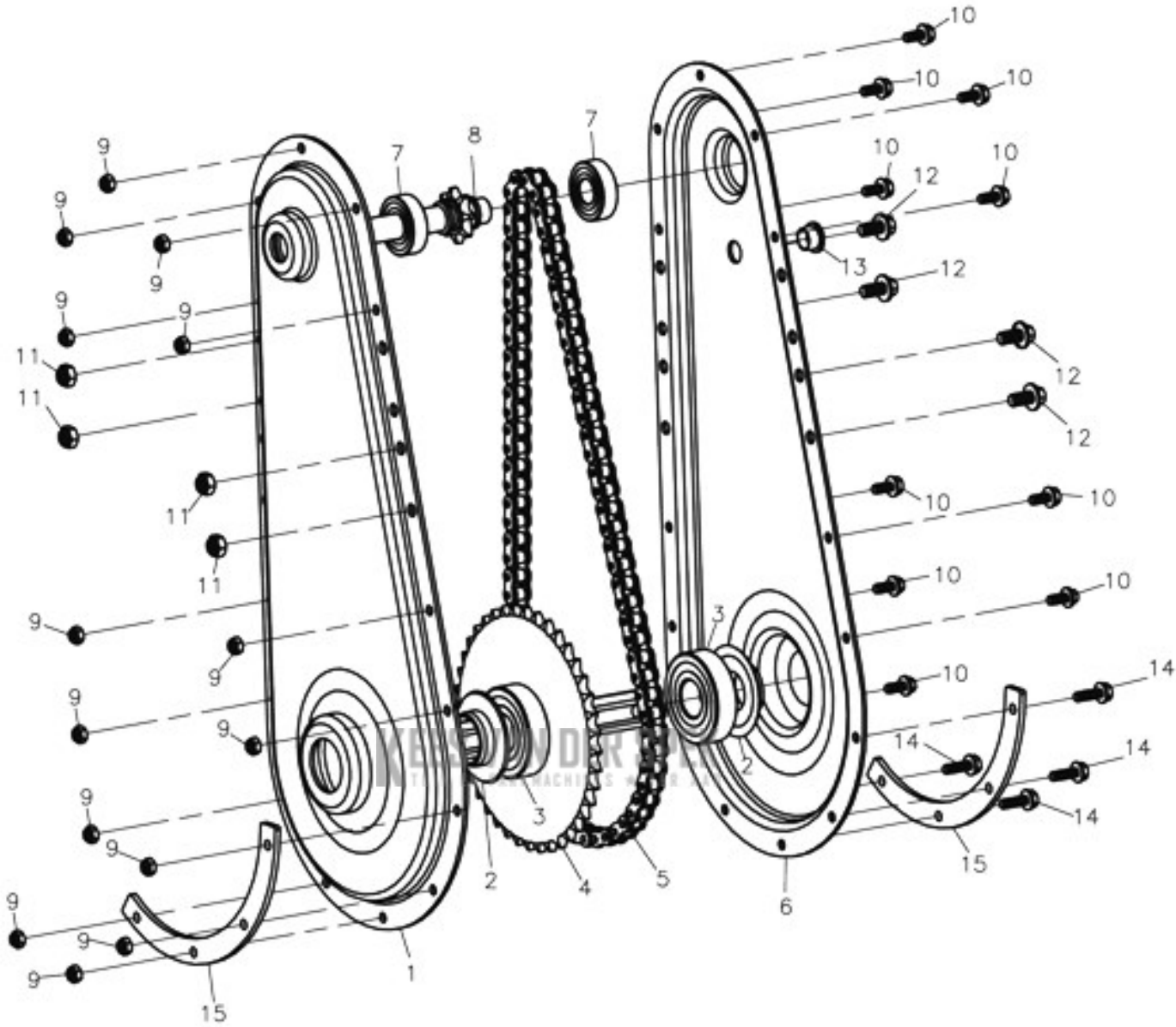
Muffler

Air filter

Tank

Carburetor

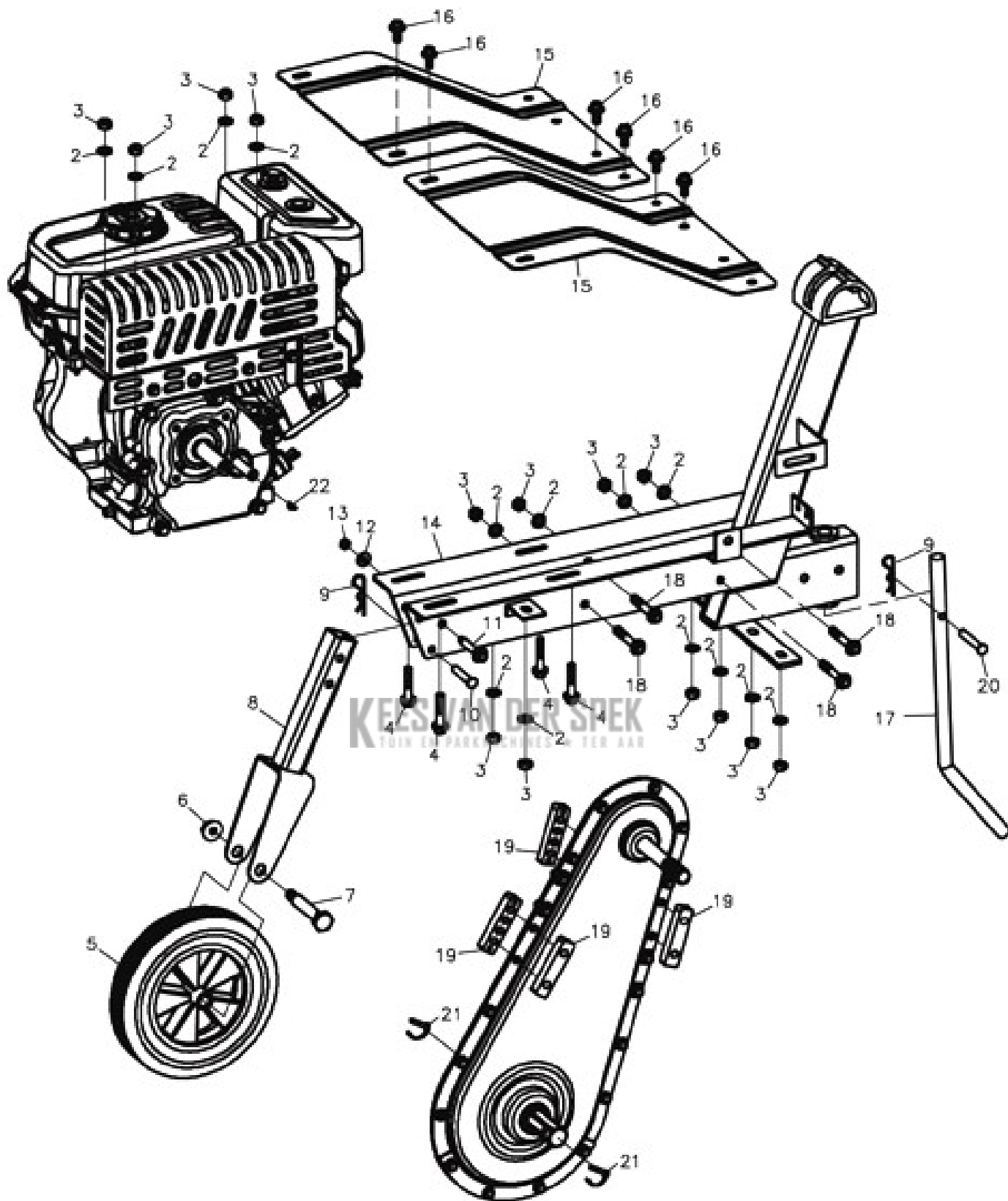
KEES VAN DER SPEK
TUIN EN PARKHOUWTERIJ TER AAR



Illustratie Gears

Ref.Nu	Qty	Part number	Description	Validity from	Validity till	Notes	Bulletin
1	1	L66151105	Case			Sinistra; Left	
2	2	L66151106	Oil seal				
3	2	L66151107	Bearing				
4	1	L66151108	Shaft				
5	1	L66151109	Chain				
6	1	L66151110	Case			Destra; Right	
7	2	L66151111	Bearing				
8	1	L66151112	Gear				
9	14	L66150885	Nut				
10	10	L66150393	Screw				
11	4	L66150884	Nut				
12	4	L66150924	Bolt				
13	1	L66151113	Cap				
14	4	L66150456	Screw				
15	2	L66151114	Bracket				

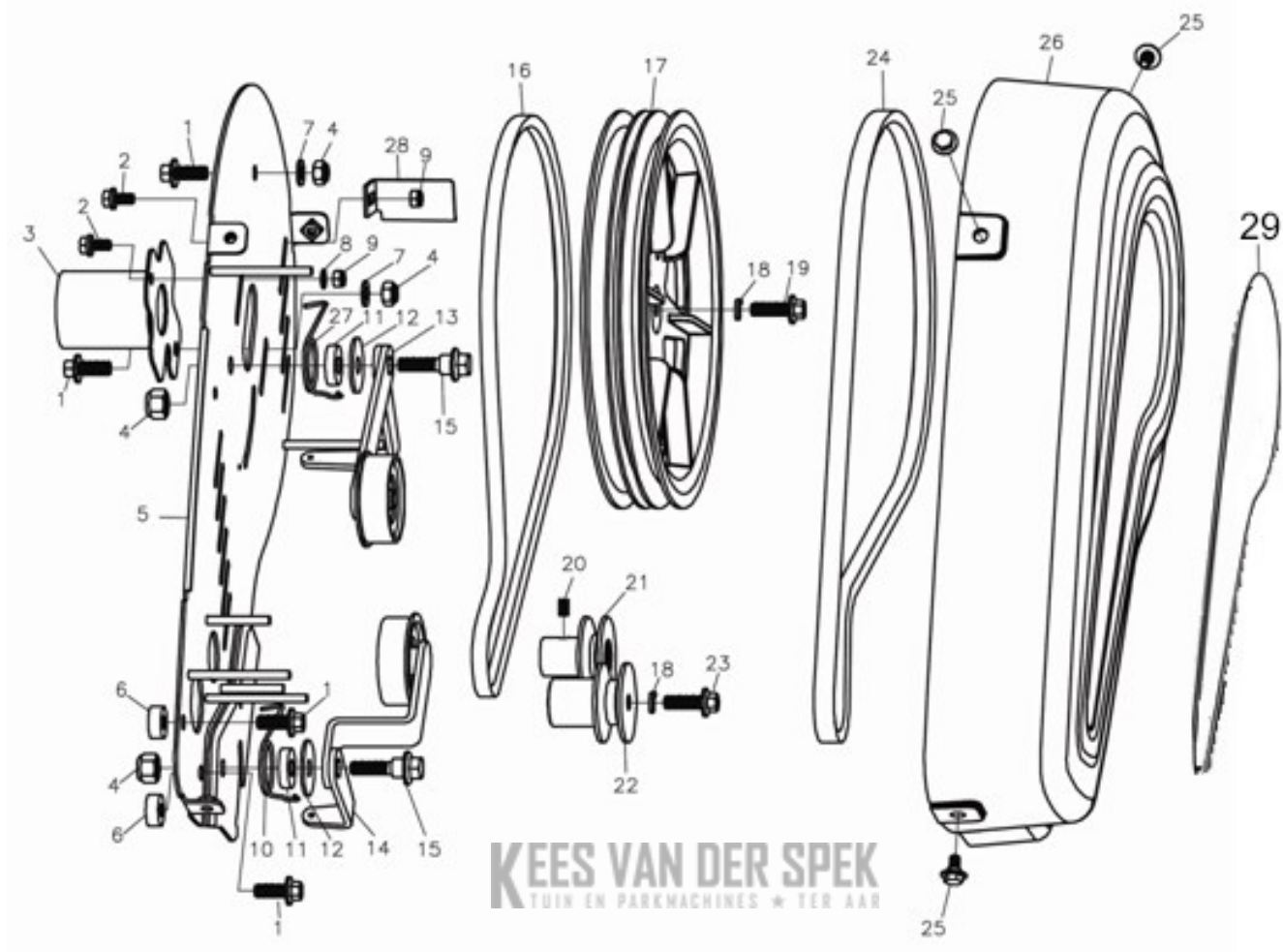
KEES VAN DER SPEK
TUIN EN PARKMACHINES * TER AAR



Illustratie Frame

Ref.Nu	Qty	Part number	Description	Validity from	Validity till	Notes	Bulletin
2	14	L66150894	Washer				
3	14	L66150884	Nut				
4	4	L66150901	Bolt				
5	1	L66151115	Front wheel				
6	1	L66151116	Nut				
7	1	L66151117	Pin				
8	1	L66151118	Fork				
9	2	L66150902	Pin				
10	1	L66151119	Pin				
11	1	L66151120	Bolt				
12	1	L66150922	Washer				
13	1	L66150885	Nut				
14	1	L66151121	Bracket				
15	2	L66151122	Fender				
16	6	L66150317	Screw				
17	1	L66151123	Damping arm				
18	4	L66150047	Screw				
19	4	L66151124	Fixing plate				
20	1	L66151119	Pin				
21	2	L66150883	Clip				
22	1	L66151125	Wrench				

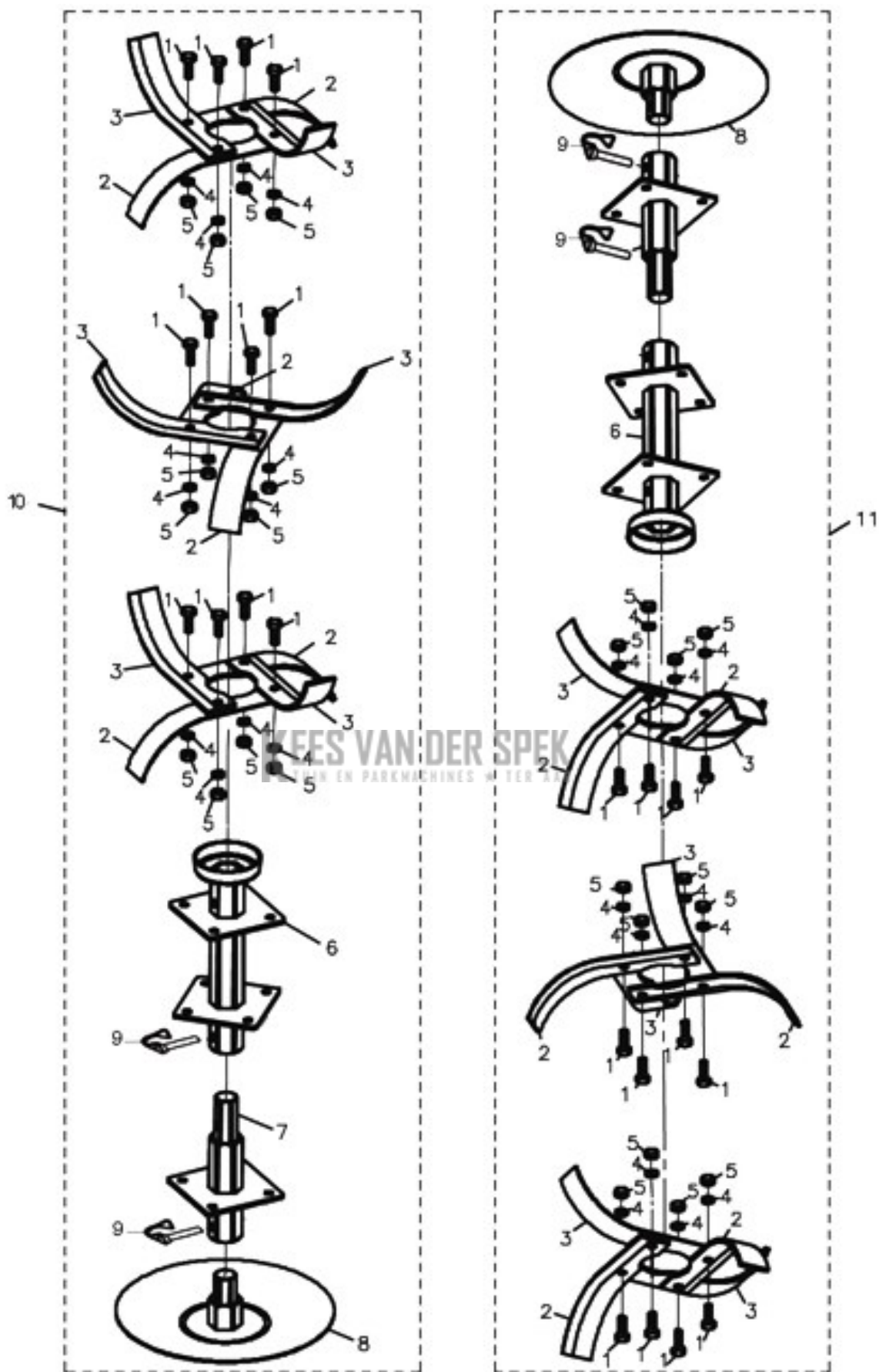
KEES VAN DER SPEK
TUIN EN PARKMACHINES * TER AAR



Illustratie Unit (Bonnets)

Ref.Nu	Qty	Part number	Description	Validity from	Validity till	Notes	Bulletin
1	4	L66150317	Screw				
2	2	L66150393	Screw				
3	1	L66151126	Sleeve				
4	4	L66150884	Nut				
5	1	L66151127	Plate				
6	2	L66151128	Bushing				
7	2	L66150894	Washer				
8	1	L66150922	Washer				
9	2	L66150885	Nut				
10	1	L66151129	Spring				
11	2	L66151130	Bushing				
12	2	L66151131	Washer				
13	1	L66151132	Strap				
14	1	L66151133	Strap				
15	2	L66151134	Bolt				
16	1	L66151135	Belt				
17	1	L66151136	Pulley				
18	2	L66150893	Bearing				
19	1	L66150899	Bolt				
20	1	L66151137	Bolt				
21	1	L66151138	Guide pulley				
22	1	L66151139	Guide pulley				
23	1	L66151140	Bolt				
24	1	L66151141	Belt				
25	3	L66150393	Screw				
26	1	68590002R	Belt cover				
27	1	L66151142	Spring				
28	1	L66150921	Plate				
29	1	L66151243	Label				

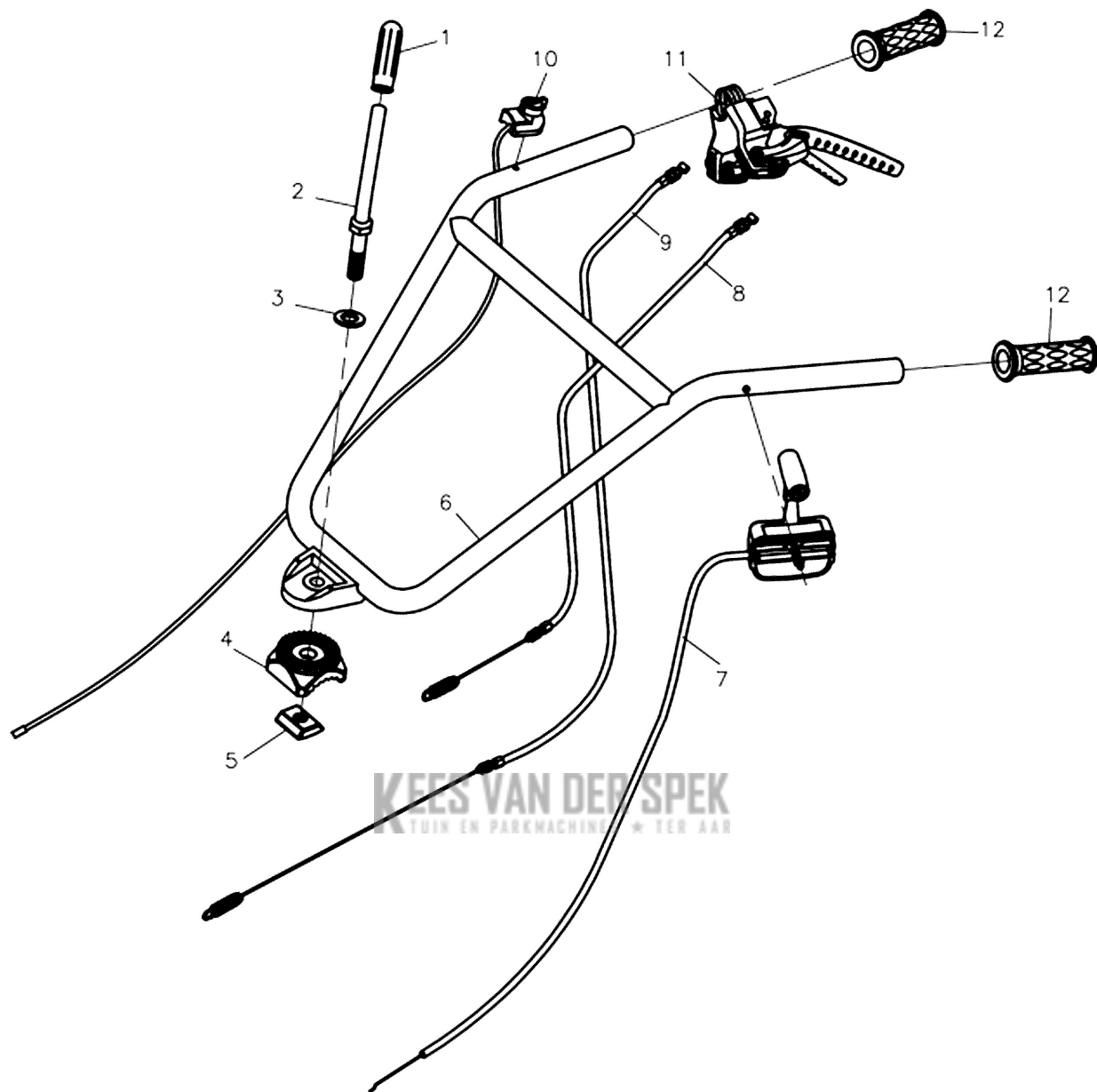
KEES VAN DER SPEK
TUIN EN PARKMACHINES * TER AAR



Illustratie Tiller

Ref.Nu	Qty	Part number	Description	Validity from	Validity till	Notes	Bulletin
1	24	L66150973	Bolt				
2	12	L66150974	Knife				
3	12	L66150975	Knife				
4	24	L66150976	Washer				
5	24	L66150977	Nut				
6	2	L66151144	Support				
7	2	L66150979	Support				
8	2	L66151145	Disk				
9	4	L66150883	Clip				
10	1	L66151146	Cutters kit			Destro; Right	
11	1	L66151147	Cutters kit			Sinistro; Left	

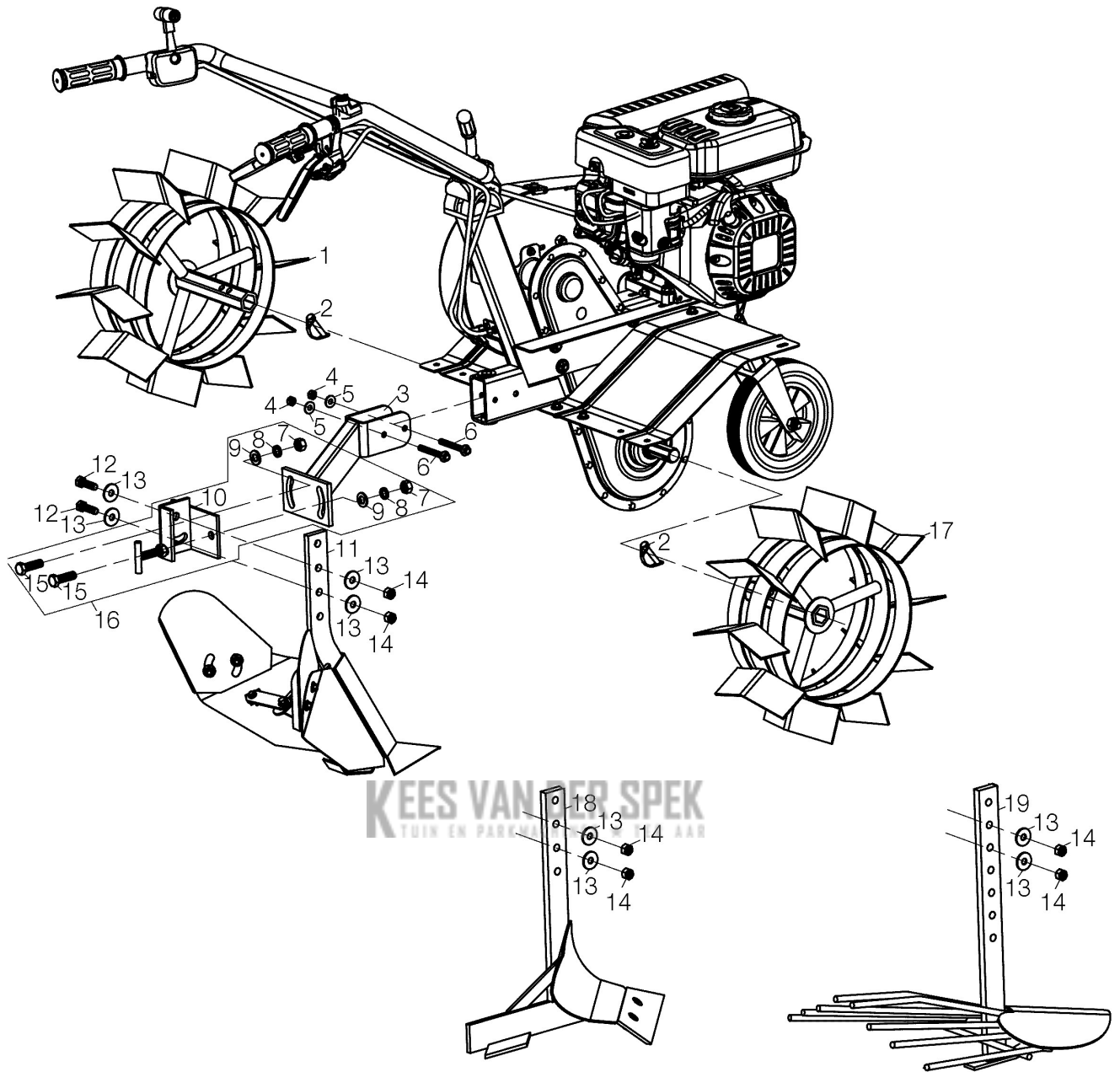
KEES VAN DER SPEK
TUIN EN PARKMACHINES * TER AAR



Illustratie Handlebar

Ref.Nu	Qty	Part number	Description	Validity from	Validity till	Notes	Bulletin
1	1	L66151162	Guard				
2	1	L66151149	Lever				
3	1	L66151165	Washer				
4	1	L66151151	Gear				
5	1	L66151152	Nut				
6	1	L66151153	Handlebar				
7	1	L66151154	Throttle cable				
8	1	L66151155	Transmission				
9	1	L66151156	Transmission				
10	1	L66151157	Switch				
11	1	L66151158	Lever				
12	2	L66151143	Knob				

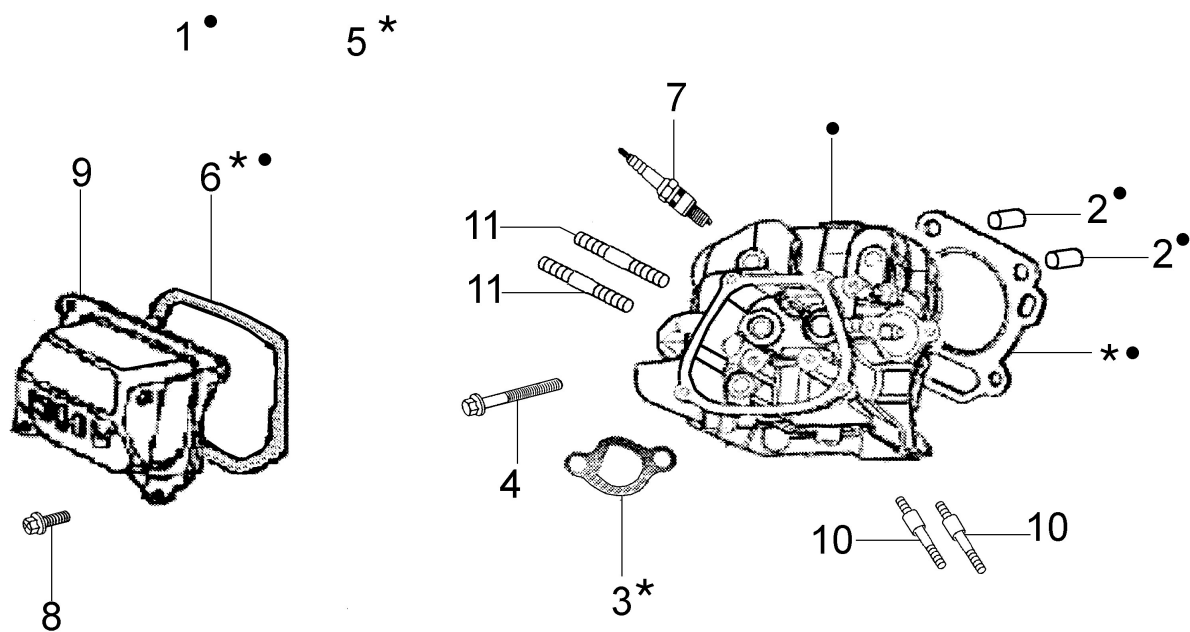
KEES VAN DER SPEK
TUIN EN PARKMACHINES * TER AAR



Illustratie Optional

Ref.Nu	Qty	Part number	Description	Validity from	Validity till	Notes	Bulletin
1	1	69209084	Pair of wheels				
2	2	L66150883	Clip				
3		-	Not available for this product				
4	2	L66150884	Nut				
5	4	L66150894	Washer				
6	2	L66150890	Bolt				
7	2	L66151008	Nut				
8	2	L66151009	Washer				
9	1	L66151010	Washer				
10		-	Not available for this product				
11	1	69209081	Plough				
12	2	L66151013	Bolt				
13	4	L66150906	Washer				
14	2	L66150896	Nut				
15	2	L66151014	Bolt				
16	1	69209087	Connector				
17	1	69209084	Pair of wheels				
18	1	69209082	Plough				
19	1	69209083	Potato digger				

KEES VAN DER SPEK
TUIN EN PARKMACHINES * TER AAR

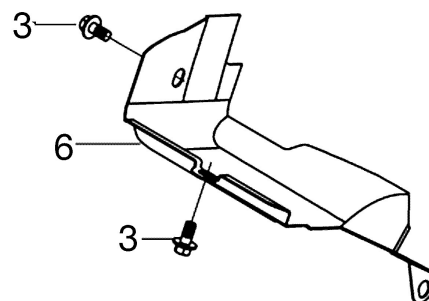
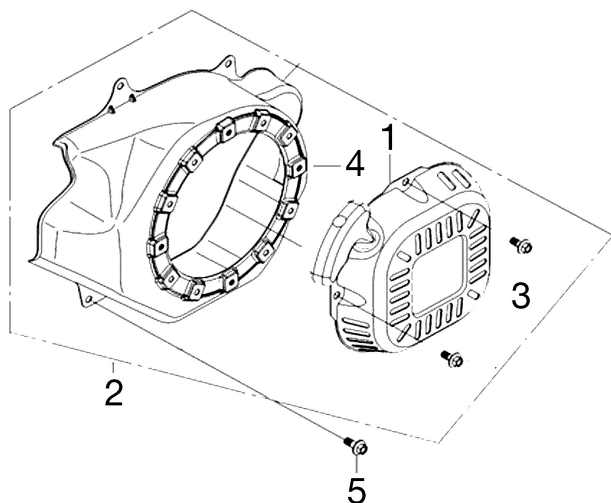


KEES VAN DER SPEK
TUIN EN PARKMACHINES * TER AAR

Illustratie Cylinder head

Ref.Nu	Qty	Part number	Description	Validity from	Validity till	Notes	Bulletin
1	1	L66150205	Head comp.cylinder				
2	2	L66150350	Plug				
3	1	L66150309	Gasket				
4	4	L66150323	Screw				
5	1	L66151172	Gasket set				
6	1	L66150476	Gasket				
7	1	3055123	Spark plug				
8	4	L66150322	Screw				
9	1	L66150277	Cover				
10	2	L66150241	Stud				
11	2	L66150324	Stud				

KEES VAN DER SPEK
TUIN EN PARKMACHINES * TER AAR

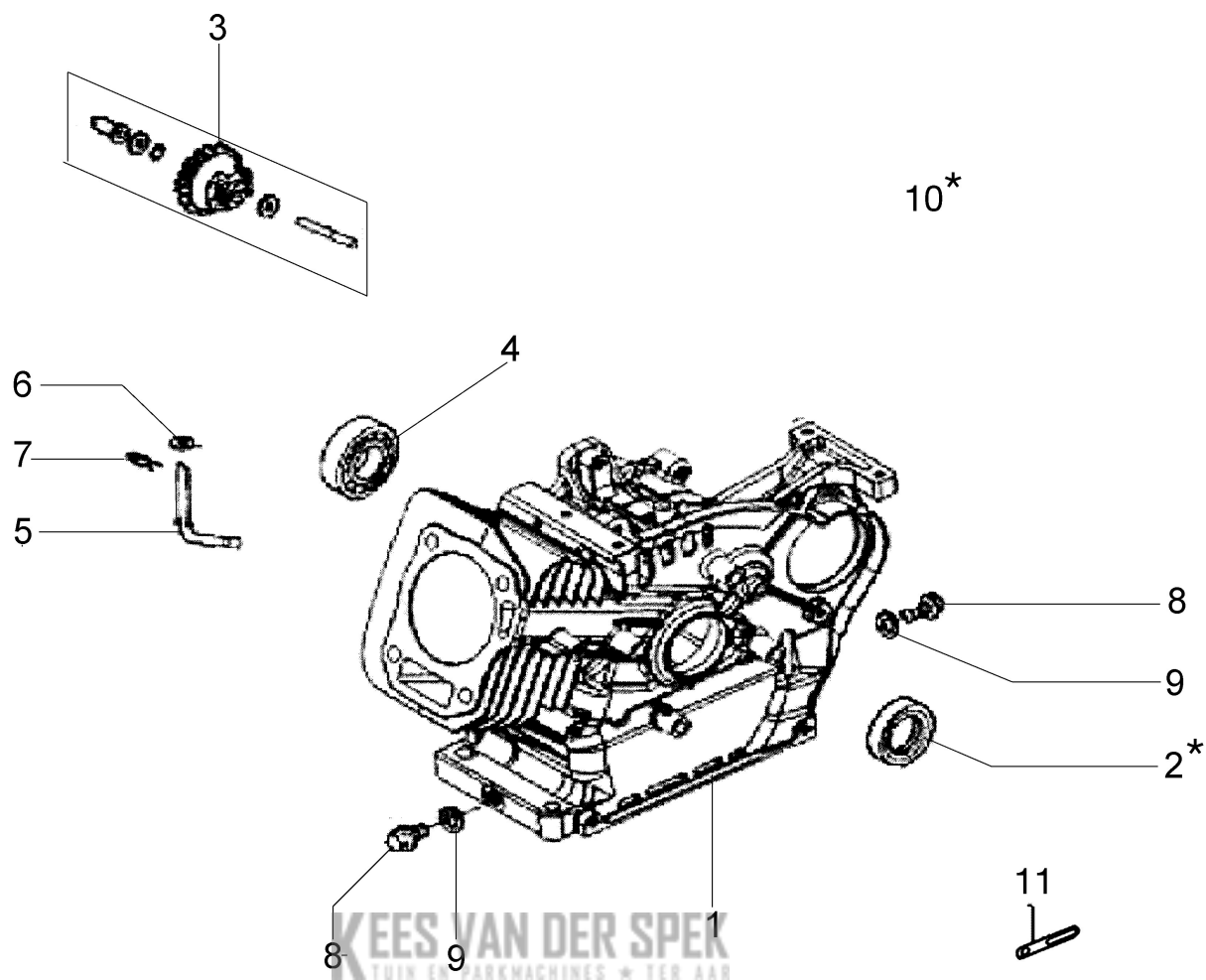


KEES VAN DER SPEK
TUIN EN PARKMACHINES * TER AAR

Illustratie Starter assy

Ref.Nu	Qty	Part number	Description	Validity from	Validity till	Notes	Bulletin
1	1	L66150329	Starter assy				
2	1	L66150374	Starter assy				
3	4	L66150339	Screw				
4	1	L66150391	Fan cover				
5	4	L66150316	Screw				
6	1	L66150725	Deflector				

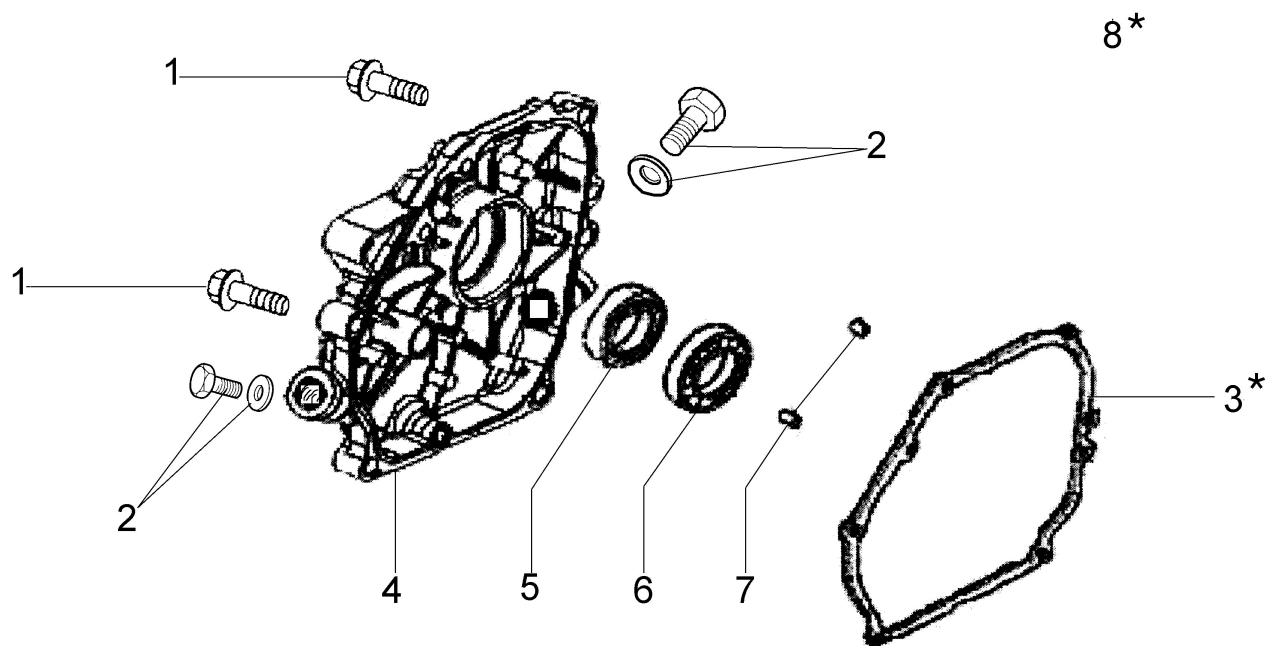
KEES VAN DER SPEK
TUIN EN PARKMACHINES * TER AAR



Illustratie Crankcase assy

Ref.Nu	Qty	Part number	Description	Validity from	Validity till	Notes	Bulletin
1	1	L66151174	Crankcase				
2	1	L66150462	Gasket				
3	1	L66150304	Governor				
4	1	L66150355	Bearing				
5	1	L66150302	Shaft				
6	1	L66150325	Washer				
7	1	L66150353	Plug				
8	2	L66150352	Screw				
9	2	L66150354	Washer				
10	1	L66151172	Gasket set				
11	1	L66150480	Cable				

KEES VAN DER SPEK
TUIN EN PARKMACHINES * TER AAR

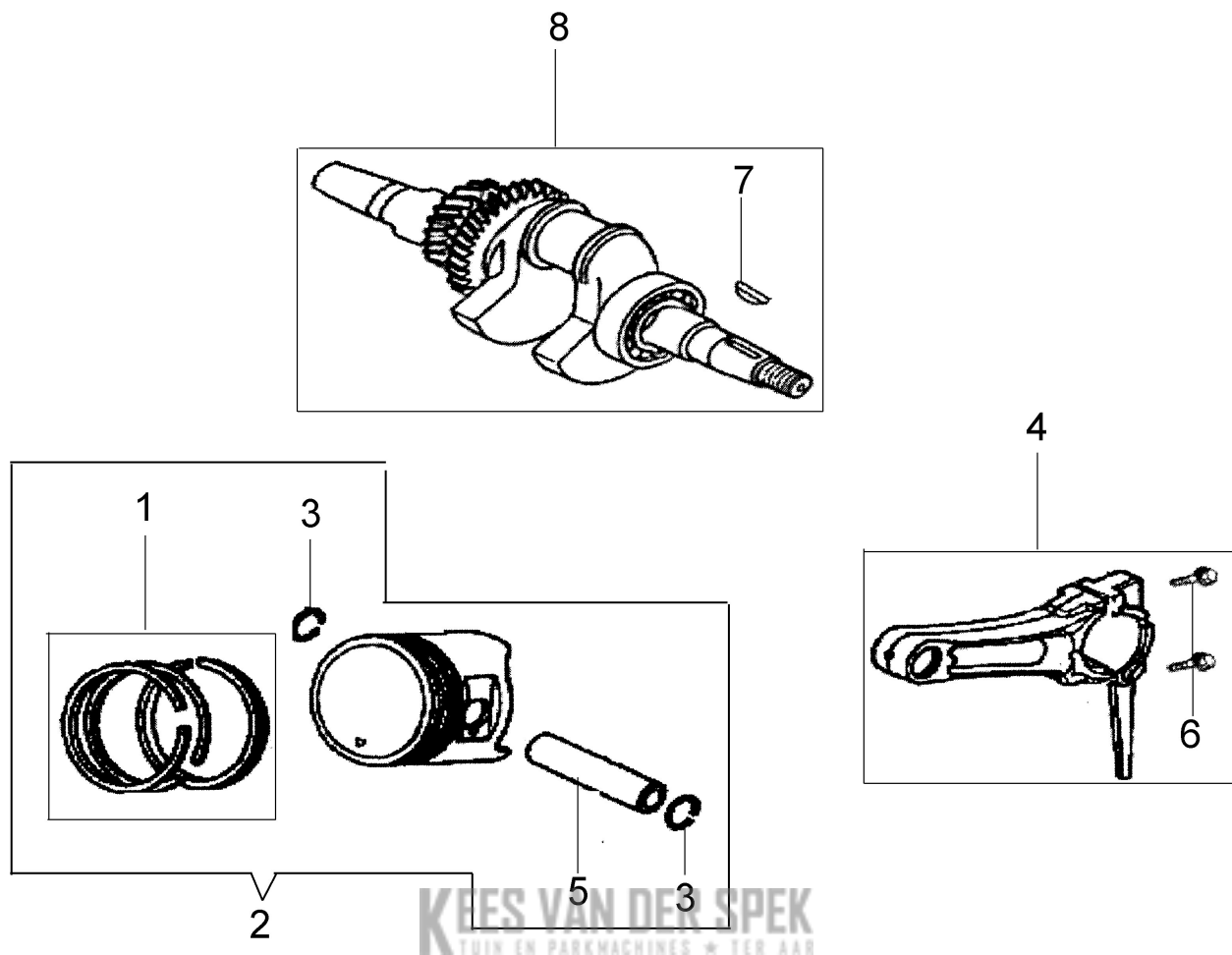


KEES VAN DER SPEK
TUIN EN PARKMACHINES * TER AAR

Illustratie Crankcase cover

Ref.Nu	Qty	Part number	Description	Validity from	Validity till	Notes	Bulletin
1	7	L66150319	Screw				
2	2	L66151232	Cap				
3	1	L66151175	Gasket				
4	1	L66151176	Crankcase cover				
5	1	L66150462	Gasket				
6	1	L66150355	Bearing				
7	2	L66150357	Plug				
8	1	L66151172	Gasket set				

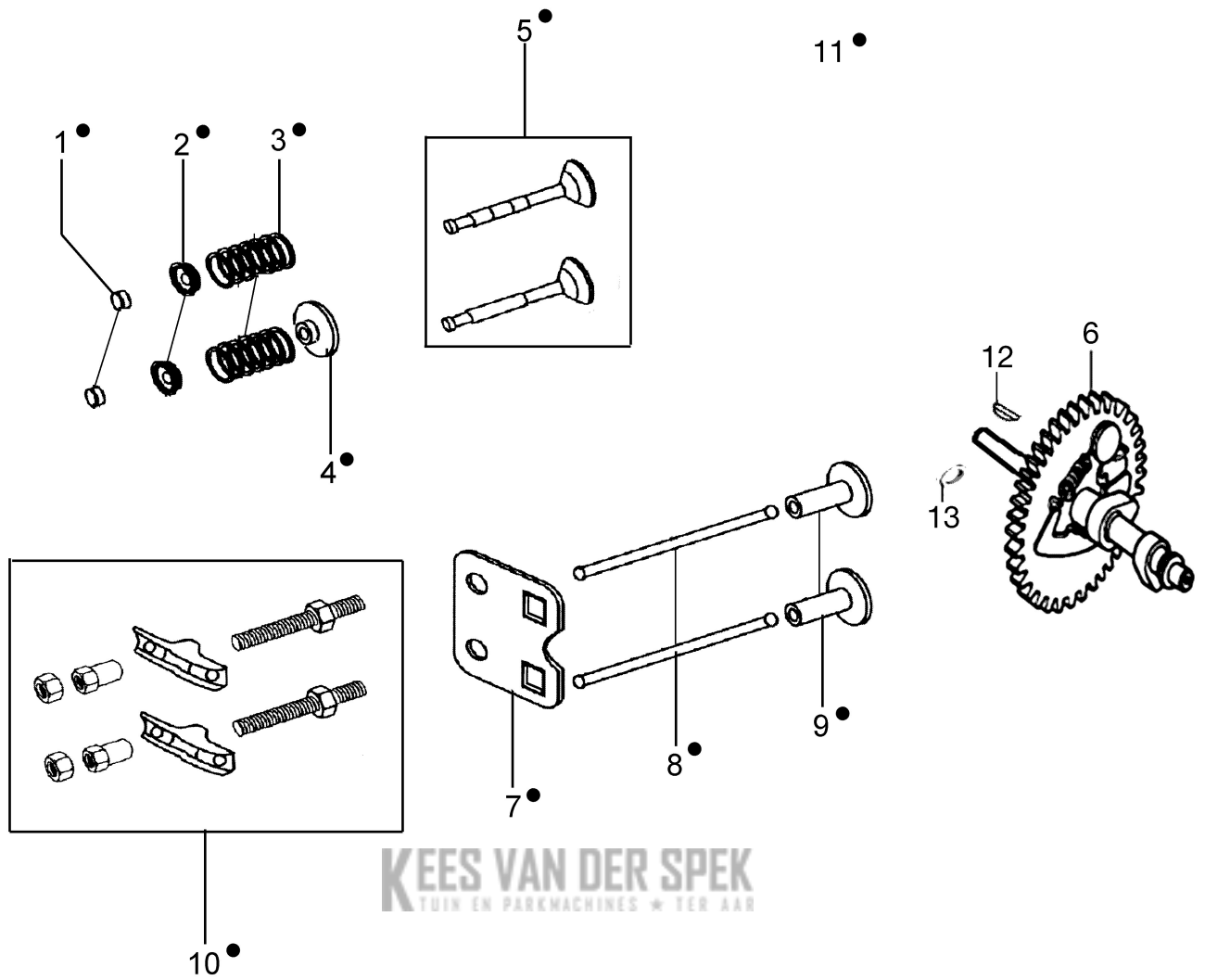
KEES VAN DER SPEK
TUIN EN PARKMACHINES * TER AAR



Illustratie Crankshaft and piston

Ref.Nu	Qty	Part number	Description	Validity from	Validity till	Notes	Bulletin
1	1	L66150280	Piston ring set				
2	1	L66151166	Piston assy				
3	2	L66150372	Retainer washer				
4	1	L66150281	Connecting rod cpl.				
5	1	L66150342	Piston pin				
6	2	L66150343	Screw				
7	1	L66150081	Key				
8	1	L66150373	Complete shaft				

KEES VAN DER SPEK
TUIN EN PARKMACHINES * TER AAR

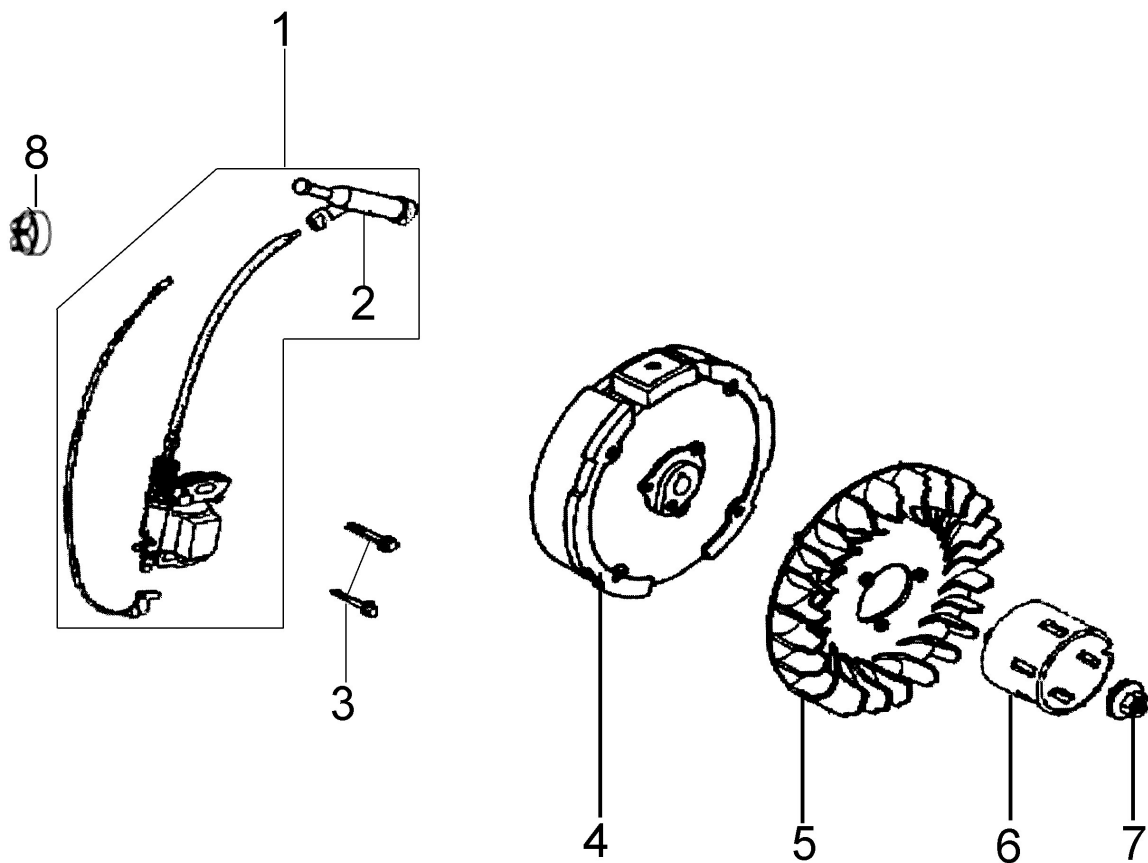


KEES VAN DER SPEK
TUIN EN PARKMACHINES * TER AAR

Illustratie Valve and governor

Ref.Nu	Qty	Part number	Description	Validity from	Validity till	Notes	Bulletin
1	2	L66150364	Valve				
2	2	L66150365	Ring				
3	2	L66150366	Valves spring				
4	1	L66150484	Slide				
5	1	L66151233	Reed valve kit				
6	1	L66150363	Complete shaft				
7	1	L66150287	Plate (guide)				
8	2	L66150285	Rod				
9	2	L66150286	Slide				
10	2	L66150368	Compensator				
11	1	L66150205	Head comp.cylinder				
12	1	L66151125	Wrench				
13	1	L66151178	Oil seal				

KEES VAN DER SPEK
TUIN EN PARKMACHINES * TER AAR

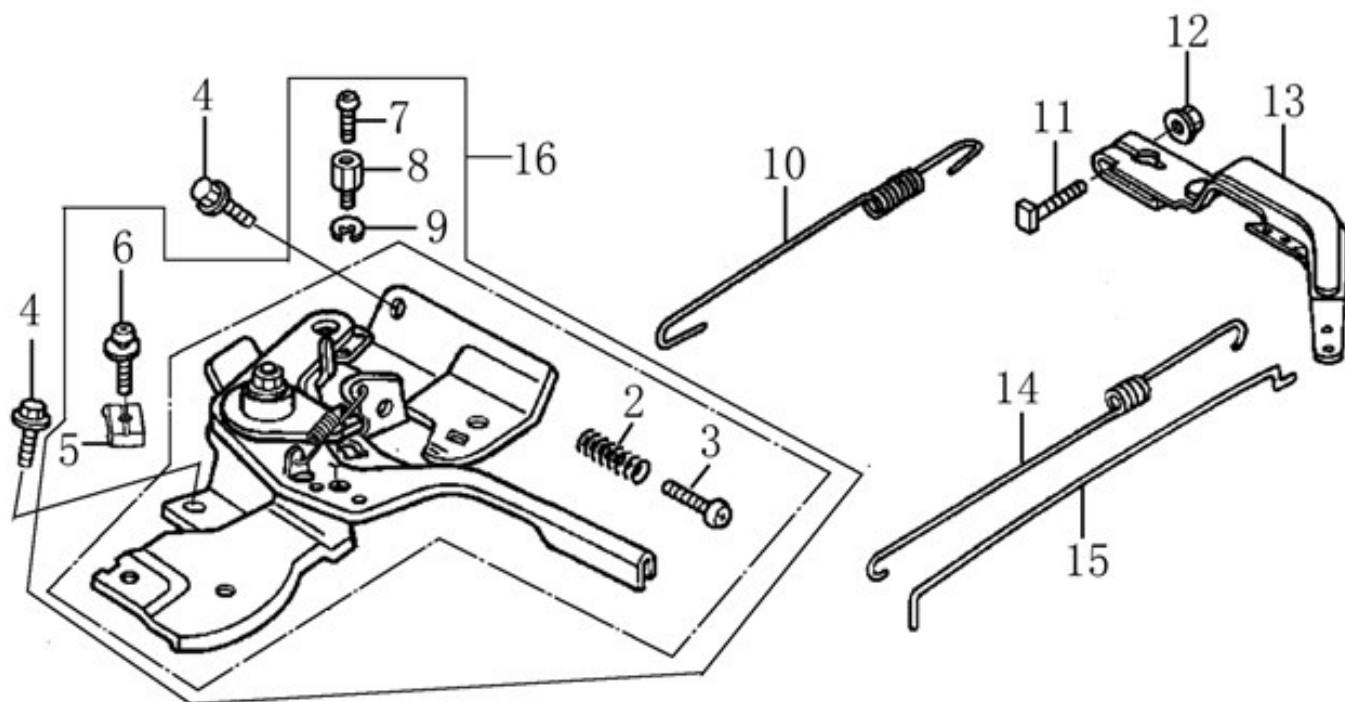


KEES VAN DER SPEK
TUIN EN PARKMACHINES * TER AAR

Illustratie Flywheel and coil

Ref.Nu	Qty	Part number	Description	Validity from	Validity till	Notes	Bulletin
1	1	L66150314	Ignition coil				
2	2	L66150371	Spark plug cap				
3	1	L66150321	Screw				
4	1	L66150313	Flywheel				
5	1	L66150288	Fan				
6	1	L66150312	Pulley				
7	1	L66150376	Nut				
8	1	L66150440	Clip				

KEES VAN DER SPEK
TUIN EN PARKMACHINES * TER AAR

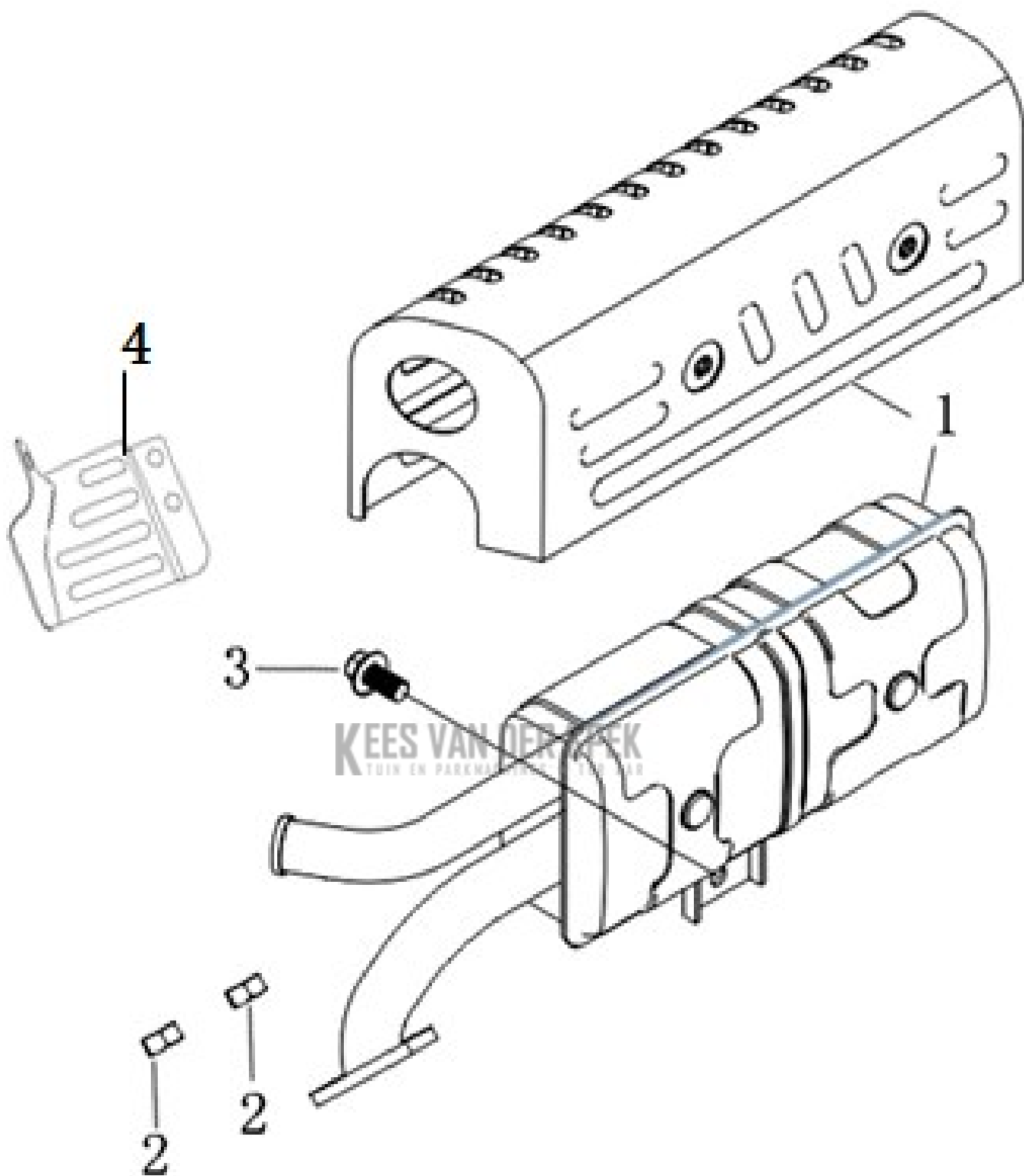


KEES VAN DER SPEK
TUIN EN PARKMACHINES * TER AAR

Illustratie Control lever

Ref.Nu	Qty	Part number	Description	Validity from	Validity till	Notes	Bulletin
2	1	L66150380	Spring				
3	1	L66150381	Screw				
4	2	L66151169	Screw				
5	1	L66150378	Fairled				
6	1	L66150379	Screw				
7	1	L66150871	Oil seal				
8	1	L66150852	Support				
9	1	L66150853	Circlip				
10	1	L66150299	Spring				
11	1	L66150382	Screw				
12	1	004400959R	Nut				
13	1	L66150843	Arm				
14	1	L66150300	Spring				
15	1	L66150298	Throttle rod				
16	1	L66151168	Complete lever				

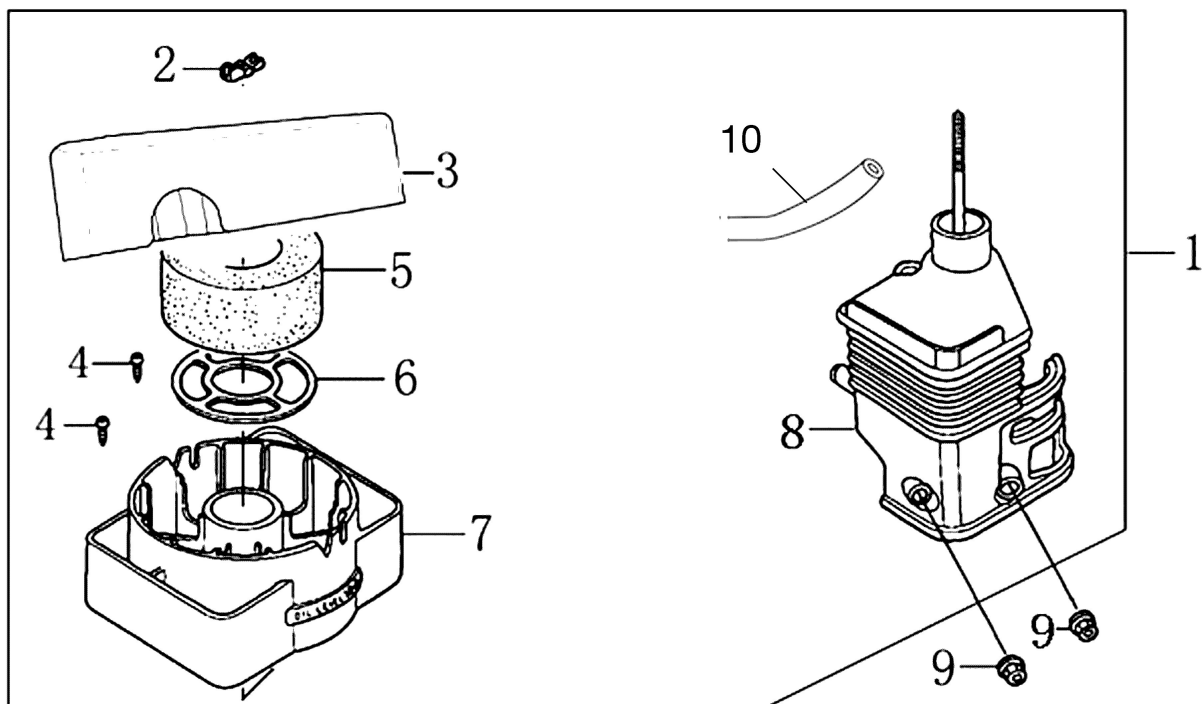
KEES VAN DER SPEK
TUIN EN PARKMACHINES * TER AAR



Illustratie Muffler

Ref.Nu	Qty	Part number	Description	Validity from	Validity till	Notes	Bulletin
1	1	L66151170	Muffler				
2	2	L66150185	Nut				
3	1	L66150317	Screw				
4	1	L66150310	Guard				

KEES VAN DER SPEK
TUIN EN PARKMACHINES * TER AAR

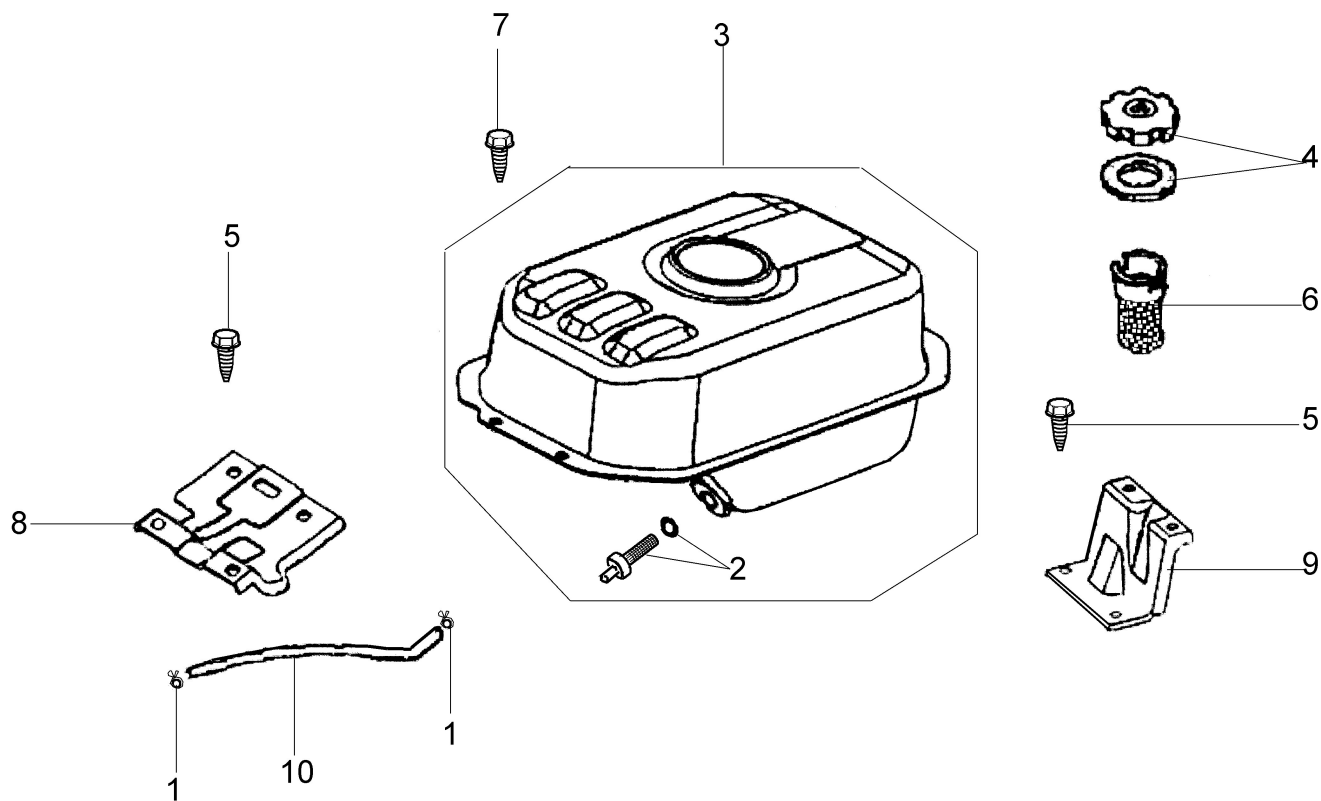


KEES VAN DER SPEK
TUIN EN PARKMACHINES * TER AAR

Illustratie Air filter

Ref.Nu	Qty	Part number	Description	Validity from	Validity till	Notes	Bulletin
1	1	L66150307	Air filter kit				
2	1	L66150384	Nut				
3	1	L66150385	Cover				
4	2	L66150386	Screw				
5	1	L66150387	Filter				
6	1	L66151177	Grid				
7	1	L66150389	Filter support				
8	1	L66150390	Fitting				
9	2	L66150185	Nut				
10	1	L66150473	Tube				

KEES VAN DER SPEK
TUIN EN PARKMACHINES * TER AAR

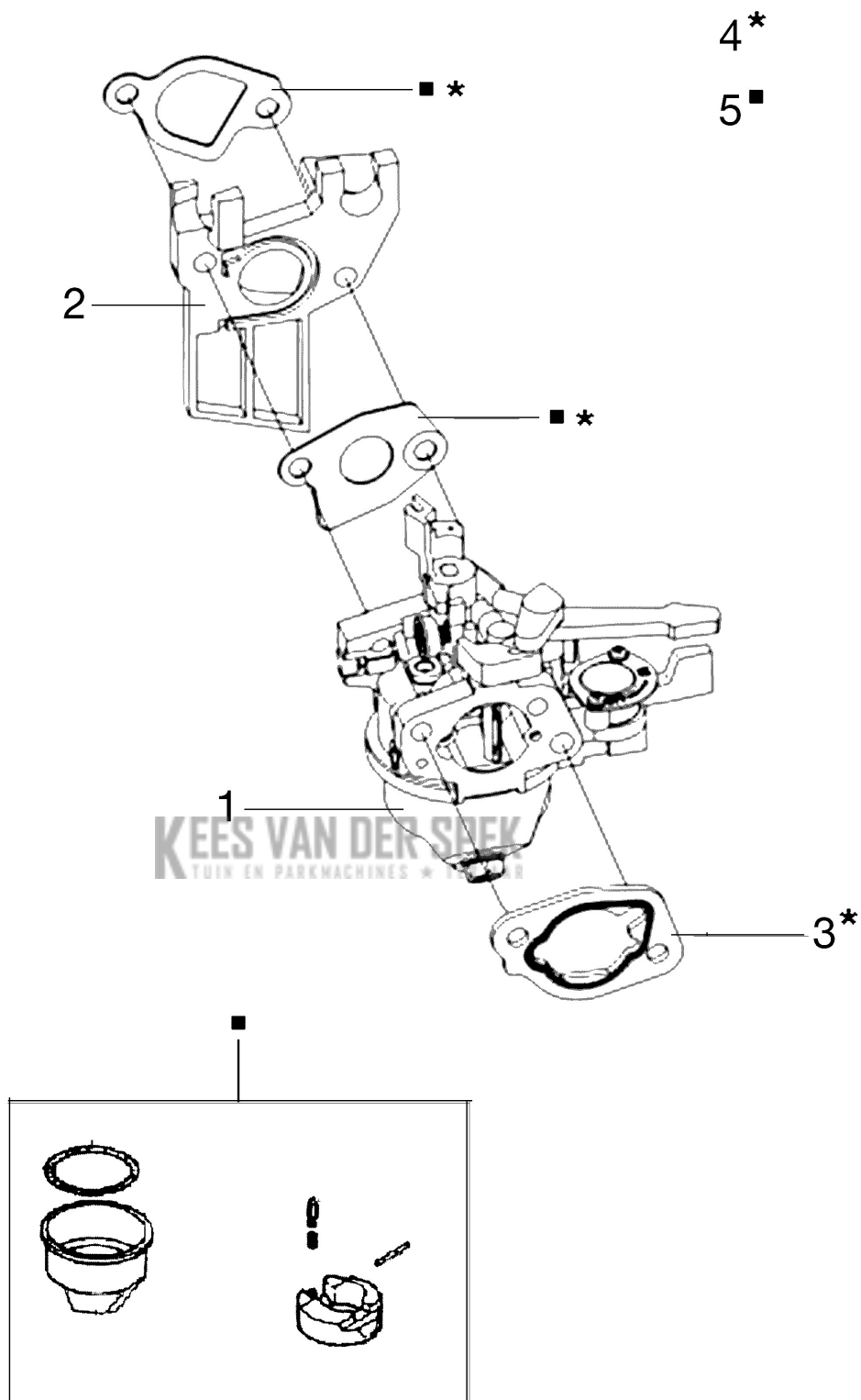


KEES VAN DER SPEK
TUIN EN PARKMACHINES * TER AAR

Illustratie Tank

Ref.Nu	Qty	Part number	Description	Validity from	Validity till	Notes	Bulletin
1	1	L66150328	Band				
2	1	L66150295	Fitting				
3	1	L66151235	Complete tank				
4	1	L66150297	Cap				
5	4	L66150321	Screw				
6	1	L66150296	Fuel filter				
7	4	L66150316	Screw				
8	1	L66150306	Support				
9	1	L66150305	Support				
10	1	L66150327	Fuel line				

KEES VAN DER SPEK
TUIN EN PARKMACHINES * TER AAR



Illustratie Carburetor

Ref.Nu	Qty	Part number	Description	Validity from	Validity till	Notes	Bulletin
1	1	L66150289A	Carburetor				
2	1	L66150842	Insulator				
3	1	L66150292	Gasket				
4	1	L66151172	Gasket set				
5	1	L66151171	Repair kit				

KEES VAN DER SPEK
TUIN EN PARKMACHINES * TER AAR