

## PA 1050 Water pump



### Documenten

Engine (Until 21/02/08)

---

Engine (From 22/02/08)

---

Starter assy

---

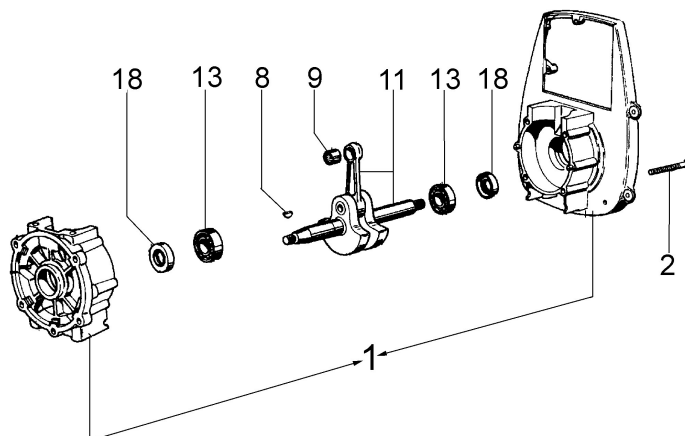
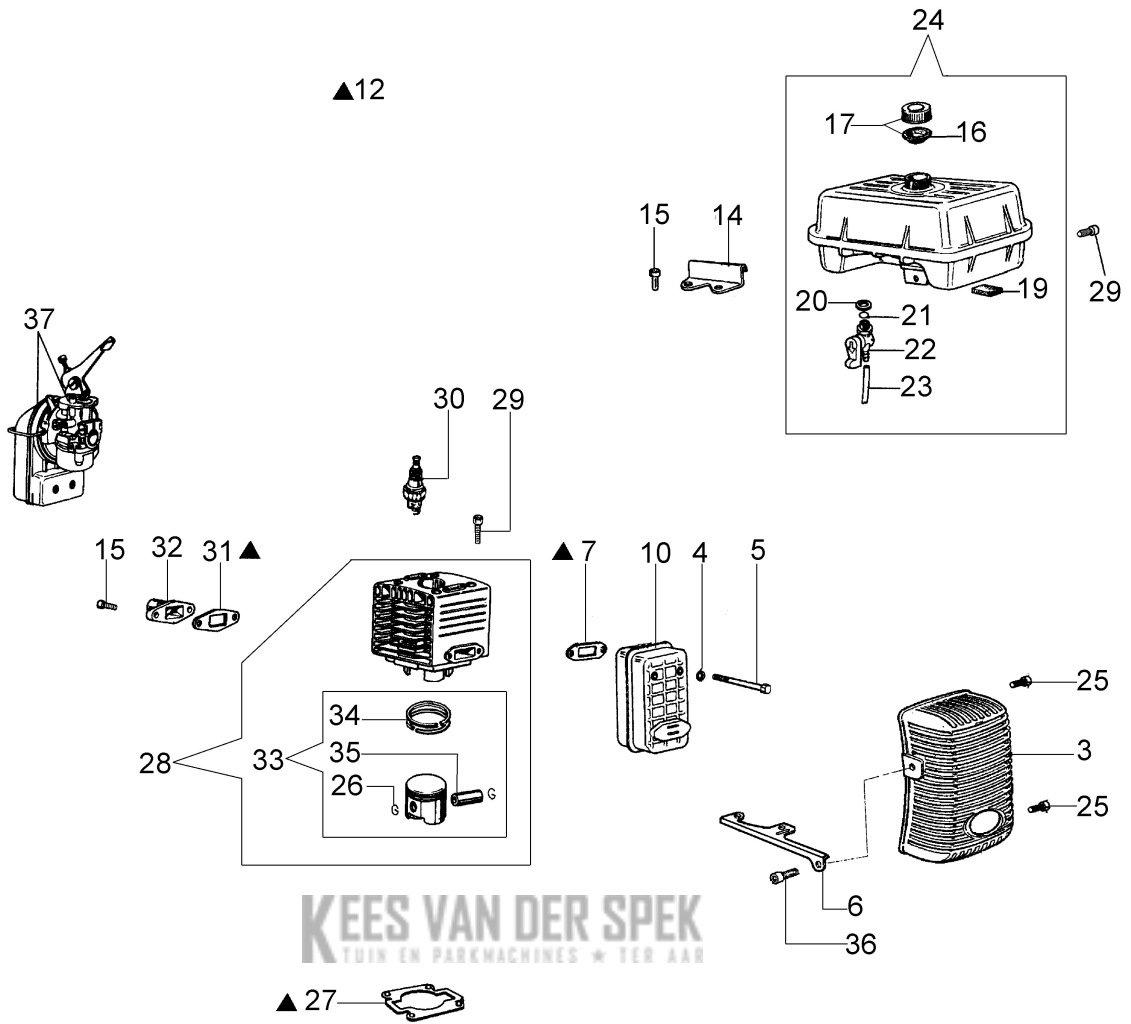
Pump

---

Carburettor

---

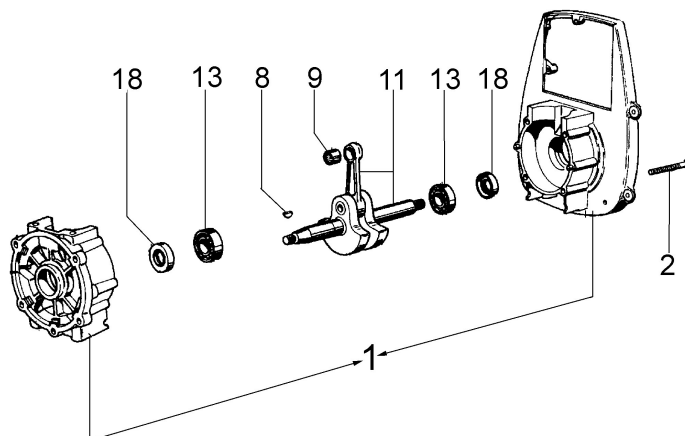
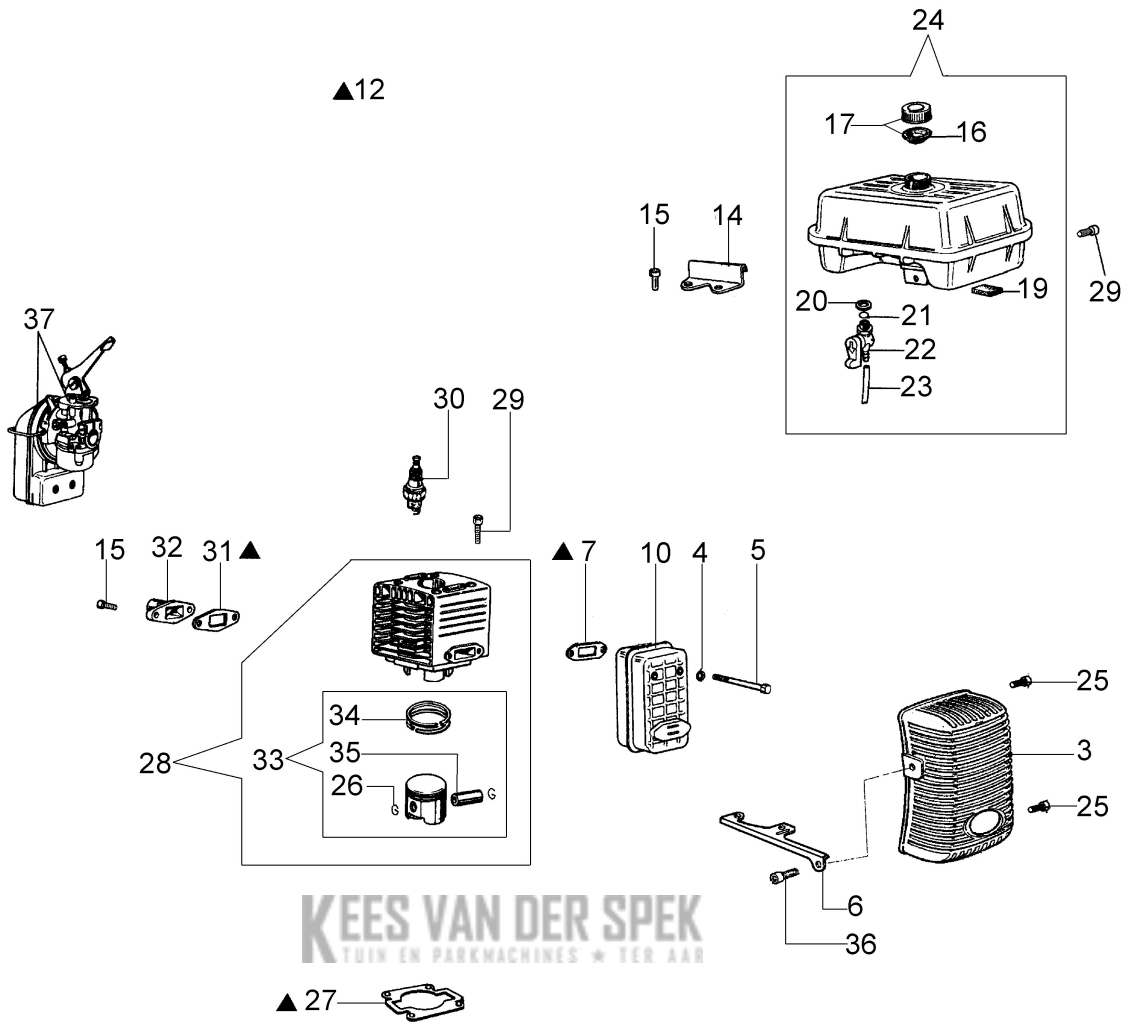
**KEES VAN DER SPEK**  
TUIN EN PARKMACHINES \* TER AAR



## Illustratie Engine (Until 21/02/08)

Ref.Nu	Qty	Part number	Description	Validity from	Validity till	Notes	Bulletin
1	1	301000408	Crankcase assy				BT6-049-05/07
2	4	3801066	Screw				
3	1	375200071AR	Muffler cover				
4	2	3819006R	Washer				
5	2	005400303R	Screw				
6	1	301000342	Support				
7	1	300000035R	Gasket				
8	1	301000047R	Key				
9	1	3037005	Bearing				
10	1	301000357AR	Muffler				
11	1	301000036AR	Crankshaft				
12	1	301000113A	Gasket set				
13	2	3034012R	Bearing				
14	1	301000003	Support				
15	4	3801009R	Screw				
16	1	300000025	Gasket				
17	1	300000022R	Tank cap				
18	2	3050015AR	Seal ring				
19	1	301000049	Felt				
20	1	3055098	Ring				
21	1	3049006R	O-ring				
22	1	3055049R	Tap				
23	1	300000026	Tube				
24	1	301000346R	Fuel tank				
25	1	3960073R	Screw				
26	2	004900061R	Ring				
27	1	375200078R	Gasket				
28	1	301000365B	Complete cylinder Ø40				
29	4	3801013R	Screw				
30	1	3055101	Spark plug				
31	1	301000026	Gasket				
32	1	301000025BR	Manifold				
33	1	301000375B	Piston assy Ø40				
34	2	074000405R	Piston ring				
35	1	301000035R	Piston pin				
36	1	3801008R	Screw				
37	1	302000007DR	Carburetor H190-1				

**KEES VAN DER SPEK**  
TUIN EN PARKMACHINES \* TER AAR

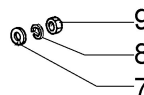
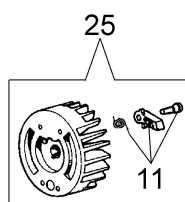
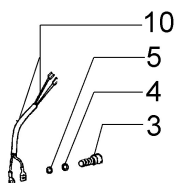
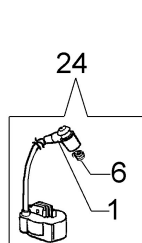
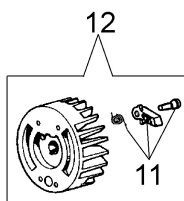
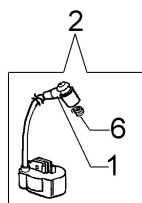


## Illustratie Engine (From 22/02/08)

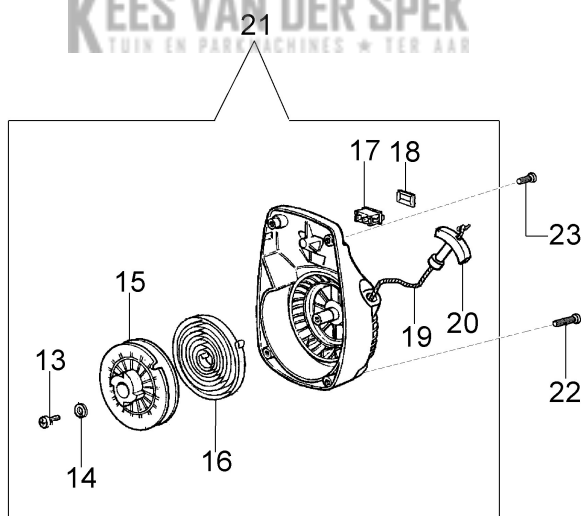
Ref.Nu	Qty	Part number	Description	Validity from	Validity till	Notes	Bulletin
1	1	301000408	Crankcase assy				BT6-057-03/08
2	4	3801066	Screw				
3	1	375200071AR	Muffler cover				
4	2	3819006R	Washer				
5	2	005400303R	Screw				
6	1	301000342	Support				
7	1	300000035R	Gasket				
8	1	301000047R	Key				
9	1	3037005	Bearing				
10	1	301000357AR	Muffler				
11	1	301000385AR	Crankshaft				BT6-057-03/08
12	1	301000113A	Gasket set				
13	2	3034012R	Bearing				
14	1	301000003	Support				
15	4	3801009R	Screw				
16	1	300000025	Gasket				
17	1	300000022R	Tank cap				
18	2	3050015AR	Seal ring				
19	1	301000049	Felt				
20	1	3055098	Ring				
21	1	3049006R	O-ring				
22	1	3055049R	Tap				
23	1	300000026	Tube				
24	1	301000346R	Fuel tank				
25	1	3960073R	Screw				
26	2	004900061R	Ring				
27	1	375200078R	Gasket				
28	1	301000365B	Complete cylinder Ø40				
29	4	3801013R	Screw				
30	1	3055101	Spark plug				
31	1	301000026	Gasket				
32	1	301000025BR	Manifold				
33	1	301000375B	Piston assy Ø40				
34	2	074000405R	Piston ring				
35	1	301000035R	Piston pin				
36	1	3801008R	Screw				
37	1	302000007DR	Carburetor H190-1				

**KEES VAN DER SPEK**  
TUIN EN PARKMACHINES \* TER AAR

Bollettino/Bulletin  
Gr. 6 / Nr.49



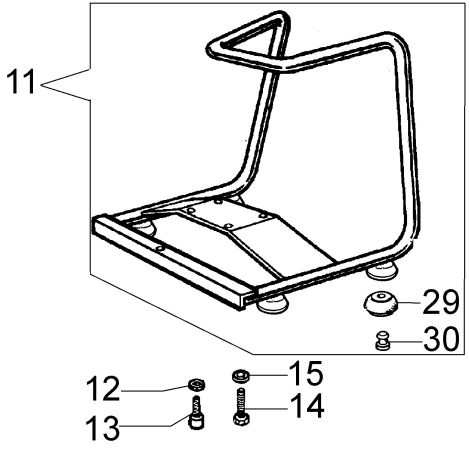
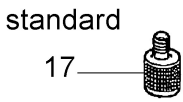
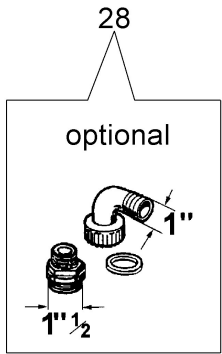
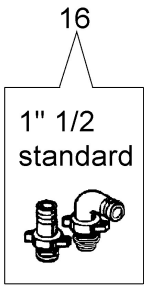
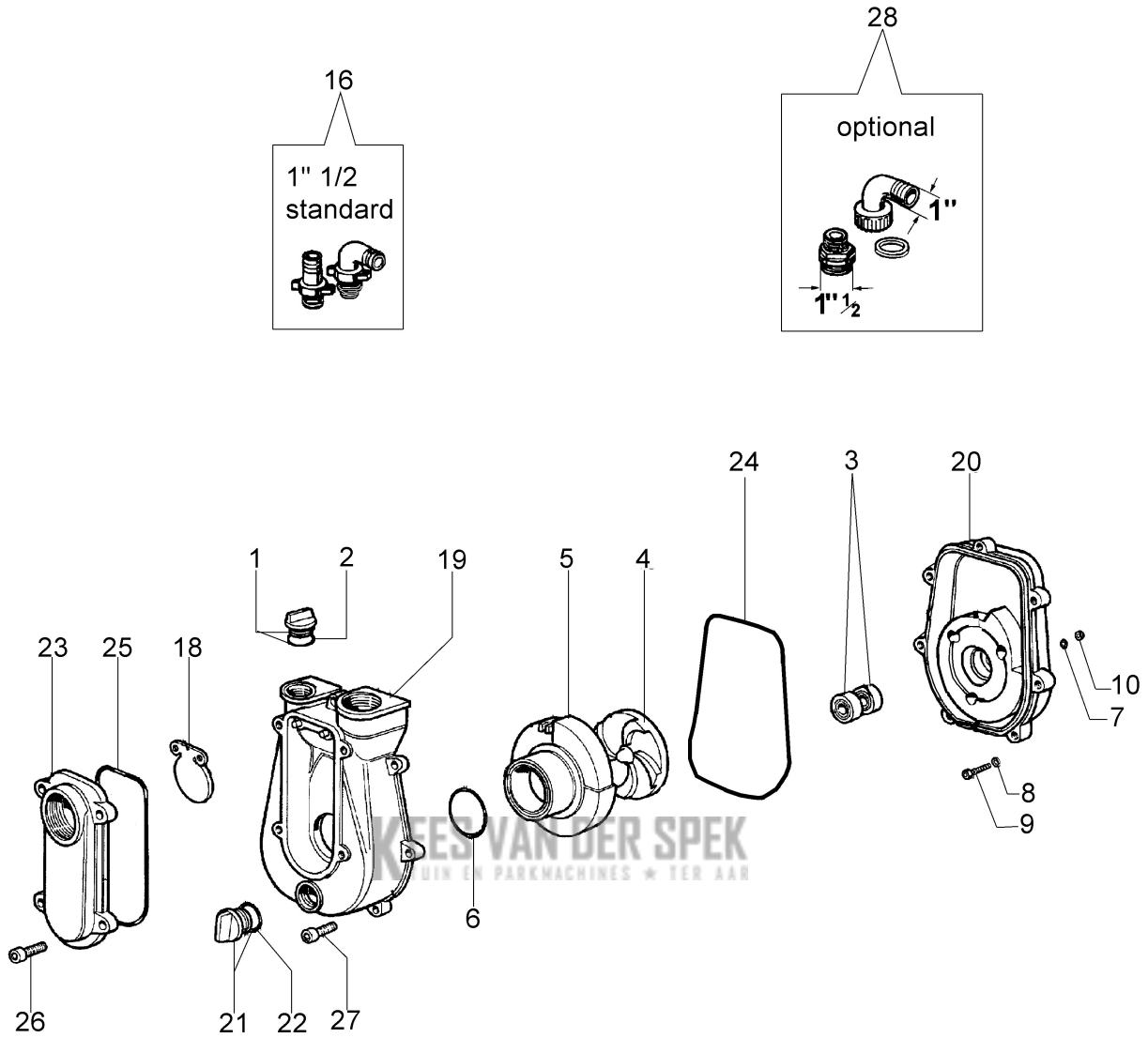
**KEES VAN DER SPEK**  
TUIN EN PARKMACHINES \* TER AAR



## Illustratie Starter assy

Ref.Nu	Qty	Part number	Description	Validity from	Validity till	Notes	Bulletin
1	1	094600097AR	Spark plug cap				BT6-049-05/07
2	1	301000343R	Ignition coil				BT6-049-05/07
3	2	094000097	Screw				
4	2	3819005R	Washer				
5	2	3916004R	Washer				
6	1	094600169AR	Spring				BT6-049-05/07
7	1	3818011AR	Washer				
8	1	3819013R	Grower				
9	1	320000028R	Nut				
10	1	301000349	Cable				
11	1	300000071	Pawl kit				BT6-049-05/07
12	1	301000419	Flywheel and coil kit				BT6-049-05/07
13	1	094600041AR	Screw				
14	1	3918006	Washer				
15	1	300000016R	Pulley				
16	1	004000132R	Spring				
17	1	2317021R	Switch				
18	1	2317013	Guard				
19	1	4098073R	Starter rope				
20	1	093500397	Starter handle				
21	1	301000355AR	Starter assy				
22	2	3960081AR	Screw				
23	2	3960092AR	Screw				
24	1	301000379R	Ignition coil				BT6-049-05/07
25	1	301000384R	Flywheel				BT6-049-05/07

**KEES VAN DER SPEK**  
TUIN EN PARKMACHINES \* TER AAR



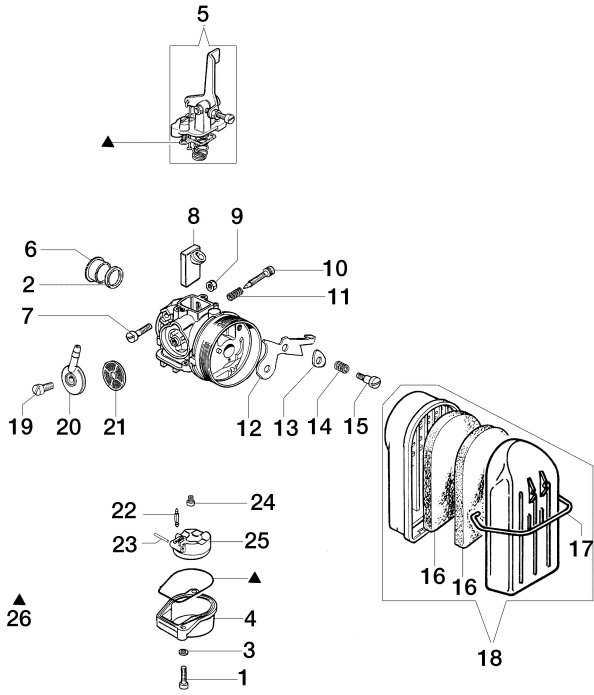
## Illustratie Pump

---

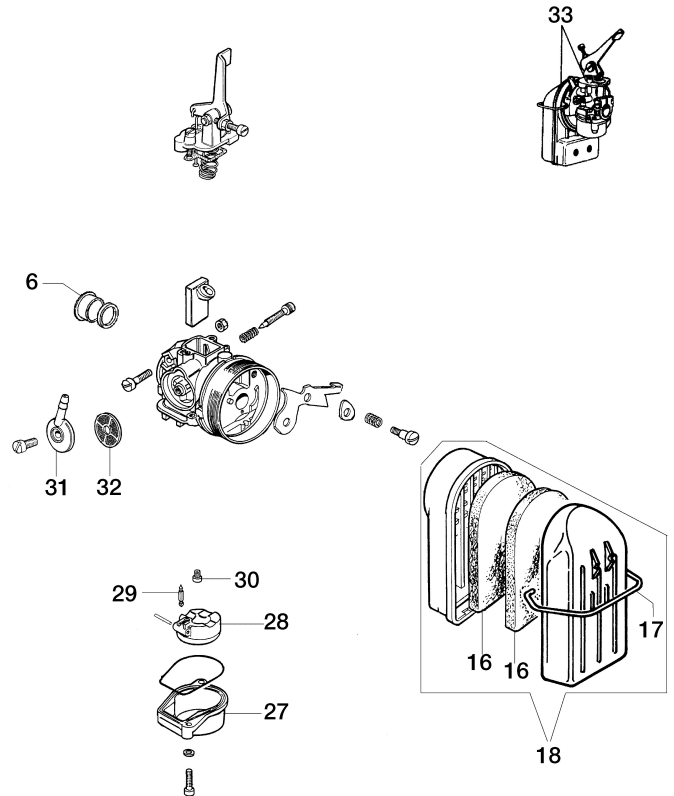
Ref.Nu	Qty	Part number	Description	Validity from	Validity till	Notes	Bulletin
1	1	32000001R	Complete cap				
2	1	3049019	O-ring				
3	1	321000004	Mechanical seal				
4	1	321000007R	Impeller				
5	1	321000006AR	Volute				
6	1	321000003	O-ring				
7	4	3916005R	Washer				
8	3	341000004	Washer				
9	3	3801016R	Screw				
10	3	3912005R	Nut				
11	1	341000127	Frame assembly				
12	2	3819006R	Washer				
13	2	3801009R	Screw				
14	2	3806063	Screw				
15	2	3819013R	Grower				
16	1	341000016A	Fittings kit				
17	1	341000017	Filter				
18	1	321000052	Valve				
19	1	321000056A	Pump assy				
20	1	321000056A	Pump assy				
21	1	321000053	Cap				
22	1	094500054R	Gasket				
23	1	321000049A	Cover				
24	1	3049027	O-ring				
25	1	3049028	O-ring				
26	4	3960077	Screw				
27	7	3801024R	Screw				
28	1	341000102	Fittings kit				
29	4	005200228R	Support				
30	4	4221012	Pin				



I° serie / Ist series



II° serie / II<sup>nd</sup> series



**KEES VAN DER SPEK**  
 TUIN EN PARKMACHINES \* TER AAR

## Illustratie Carbuirettor

Ref.Nu	Qty	Part number	Description	Validity from	Validity till	Notes	Bulletin
1	2	3908005	Screw		SN 4594260119		BT6-095-01/15
2	1	300000267	Gasket		SN 4594260119		BT6-095-01/15
3	2	006000315R	Washer		SN 4594260119		BT6-095-01/15
4	1	300000079	Tank		SN 4594260119		BT6-095-01/15
5	1	300000074	Lever group		SN 4594260119		BT6-095-01/15
6	1	300000266	Bushing		SN 4594260119		BT6-095-01/15
7	1	3801026R	Screw		SN 4594260119		BT6-095-01/15
8	1	302000157	Valve		SN 4594260119		BT6-095-01/15
9	1	034000013R	Nut		SN 4594260119		BT6-095-01/15
10	1	300000221	Screw		SN 4594260119		BT6-095-01/15
11	1	300000220	Spring		SN 4594260119		BT6-095-01/15
12	1	300000195	Valve		SN 4594260119		BT6-095-01/15
13	1	300000226	Clamp		SN 4594260119		BT6-095-01/15
14	1	300000227	Spring		SN 4594260119		BT6-095-01/15
15	1	300000228	Pin		SN 4594260119		BT6-095-01/15
16	2	365200072R	Filter				BT6-095-01/15
17	1	365200074R	Spring				BT6-095-01/15
18	1	365200077	Air filter kit				BT6-095-01/15
19	1	300000215	Screw		SN 4594260119		BT6-095-01/15
20	1	300000216	Fittings		SN 4594260119		BT6-095-01/15
21	1	300000217	Fuel filter		SN 4594260119		BT6-095-01/15
22	1	300000222R	Needle		SN 4594260119		BT6-095-01/15
23	1	300000225	Pin		SN 4594260119		BT6-095-01/15
24	1	302000156	Jet 58		SN 4594260119		BT6-095-01/15
25	1	300000198	Float		SN 4594260119		BT6-095-01/15
26	1	300000073	Gasket set		SN 4594260119		BT6-095-01/15
27	1	2318494R	Tank	SN 4594260120			BT6-095-01/15
28	1	2318496R	Float	SN 4594260120			BT6-095-01/15
29	1	2318486R	Needle	SN 4594260120			BT6-095-01/15
30	1	2318487R	Jet	SN 4594260120			BT6-095-01/15
31	1	2318488R	Spark plug cap	SN 4594260120			BT6-095-01/15
32	1	2318489R	Fuel filter	SN 4594260120			BT6-095-01/15
33	1	302000007DR	Carbuirettor H190-1	SN 4594260120			BT6-095-01/15

Kees van der Spek  
TUIN EN PARKMACHINES