

## STARK 2500 TR (EURO 2) Brushcutter



### Documenten

Engine

---

Starter assy and clutch

---

Tank and air filter

---

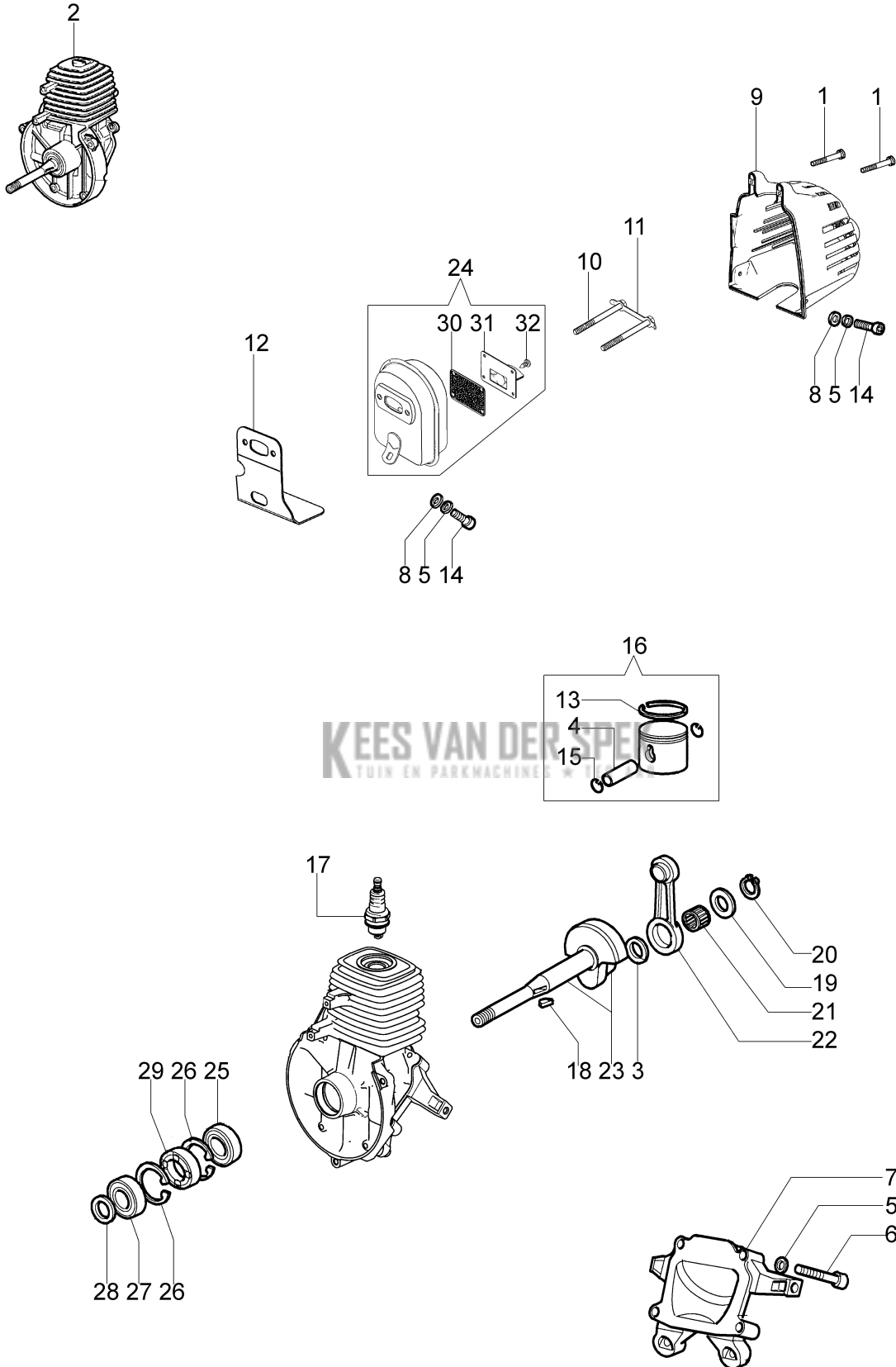
Transmission

---

Carburettor WYL-245

---

**KEES VAN DER SPEK**  
TUIN EN PARKMACHINES \* TER AAR

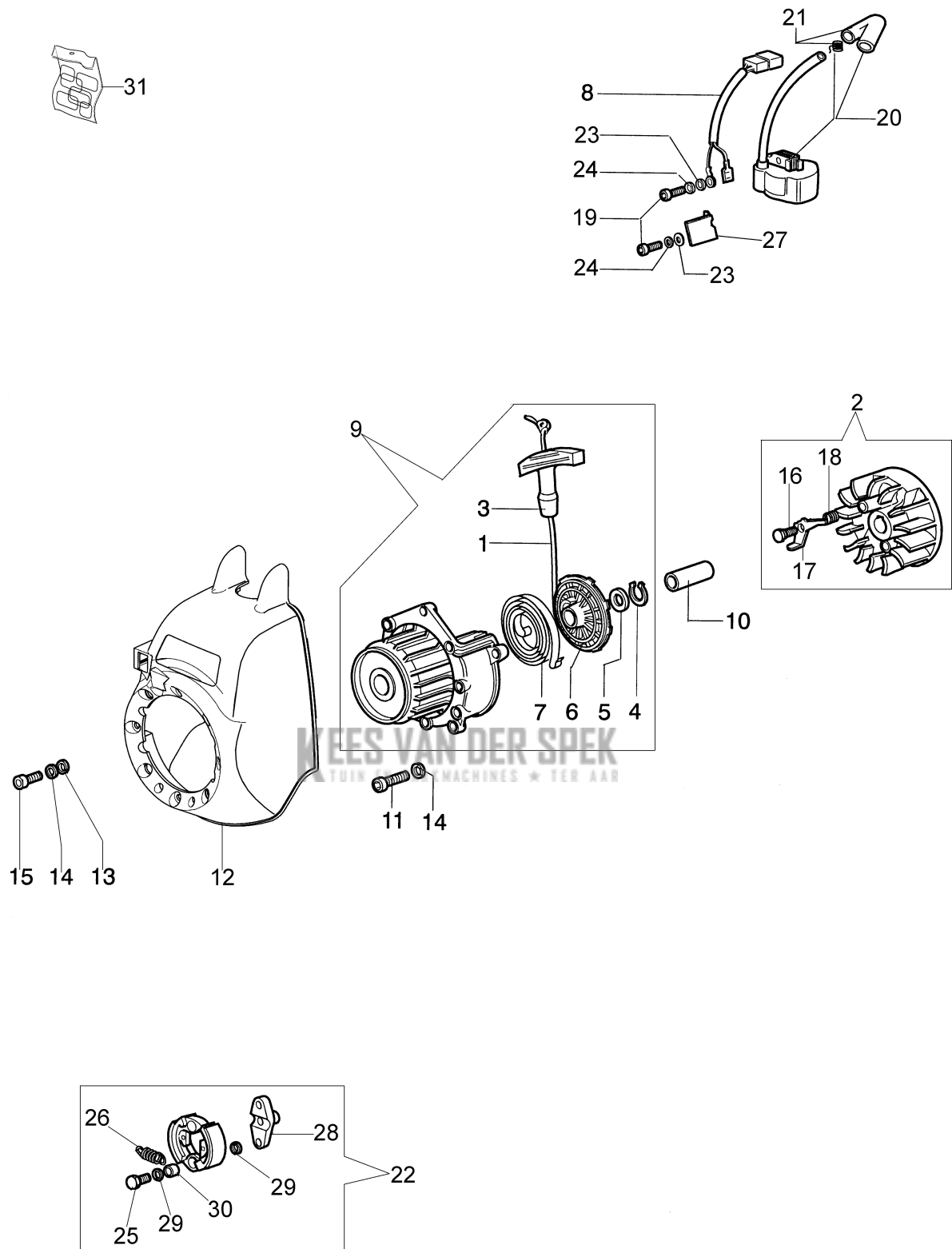


## Illustratie Engine

---

Ref.Nu	Qty	Part number	Description	Validity from	Validity till	Notes	Bulletin
1	1	3960067AR	Screw				
2	1	61030049AR	Short block				
3	1	4098683R	Washer				
4	1	4160026R	Plug				
5	4	3819006R	Washer				
6	4	3801015R	Screw				
7	1	61010001R	Cover				
8	2	3916005R	Washer				
9	1	61030042R	Muffler cover				
10	2	3806028	Screw				
11	1	4095211R	Plate				
12	1	61030067AR	Gasket				
13	1	072700048R	Piston ring Ø34				
14	2	3801010R	Screw				
15	2	4160025R	Ring				
16	1	4161030CR	Piston assy Ø34				
17	1	3055101	Spark plug				
18	1	4098232R	Key				
19	1	3064005AR	Washer				
20	1	3024010R	Snap ring				
21	1	3037026R	Thrust bearing				
22	1	4161599R	Connecting rod				
23	1	61030174R	Crankshaft				
24	1	61032083	Complete muffler				
25	1	3034003R	Bearing				
26	2	3025019	Ring				
27	1	3035023R	Bearing				
28	1	4160124R	Washer				
29	1	3050030R	Seal ring				
30	1	61030046R	Screen				
31	1	61030105R	Deflector				
32	2	012000028	Screw				

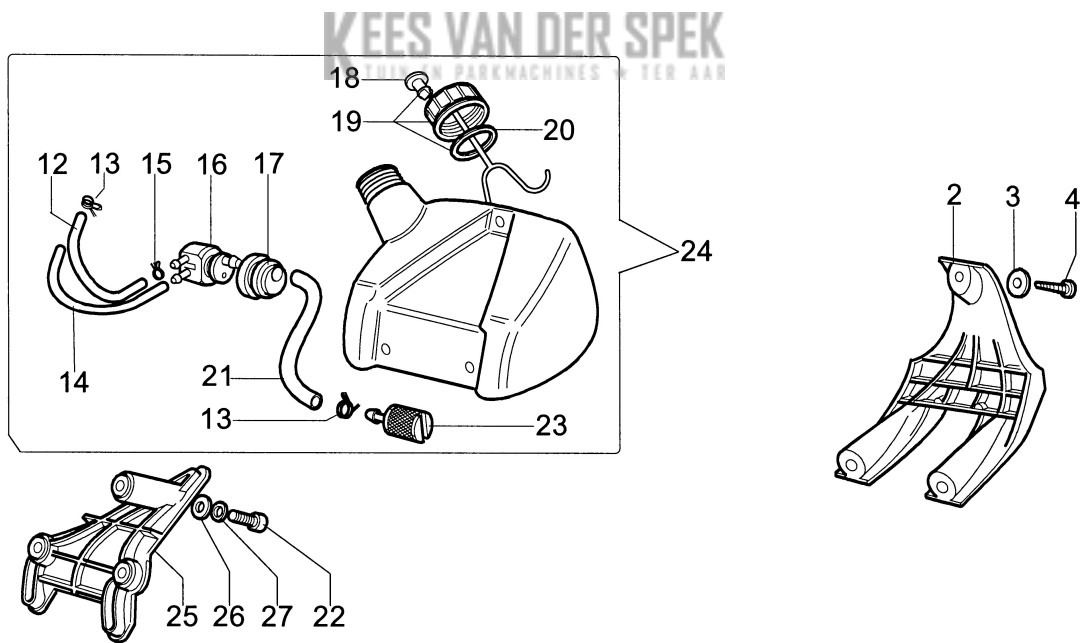
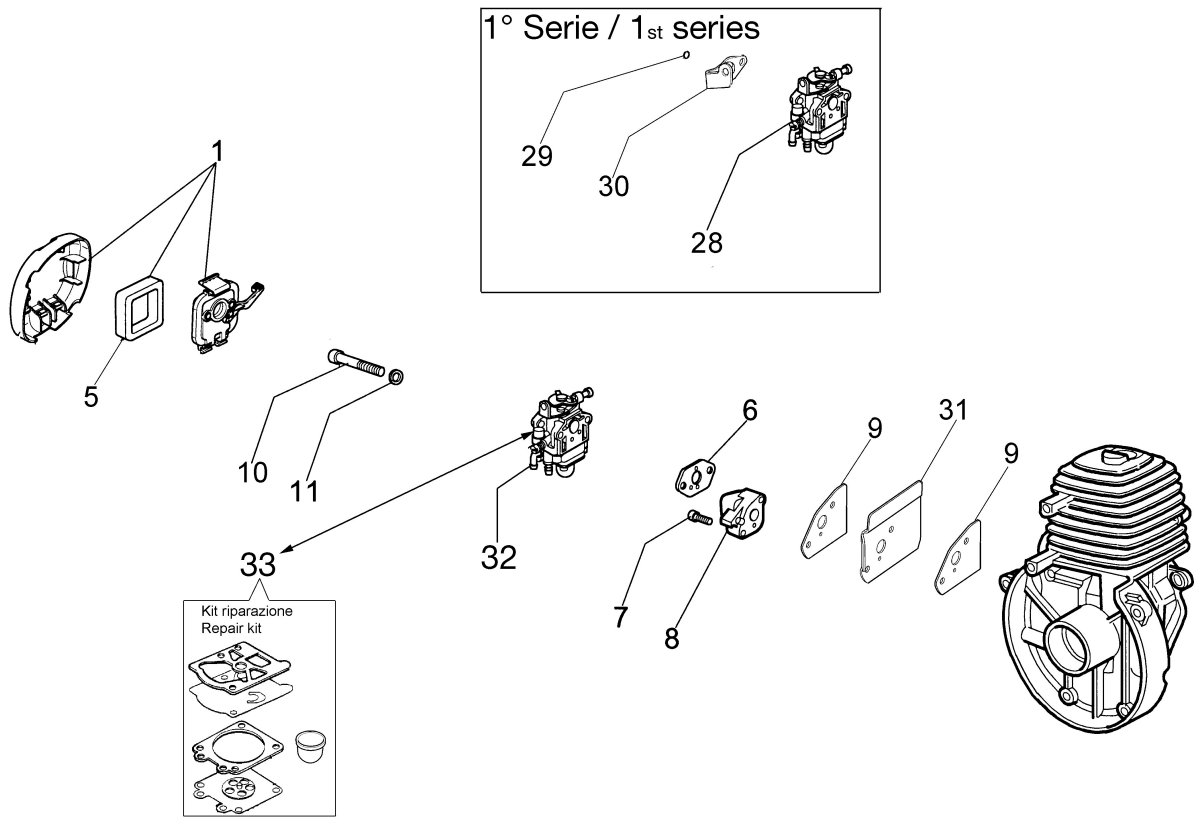
**KEES VAN DER SPEK**  
TUIN EN PARKMACHINES \* TER AAR



## Illustratie Starter assy and clutch

Ref.Nu	Qty	Part number	Description	Validity from	Validity till	Notes	Bulletin
1	1	4160125R	Starter rope				
2	1	4161264BR	Flywheel				
3	1	4191020A	Starter handle				
4	1	3024018R	Ring				
5	1	4161150R	Ring				
6	1	4161148AR	Pulley				
7	1	004000132R	Spring				
8	1	4162358	Cable				
9	1	4161160AR	Starter assy				
10	1	4160072R	Spacer				
11	1	3801010R	Screw				
12	1	61030043R	Starter case				
13	4	3916005R	Washer				
14	4	3819006R	Washer				
15	4	3801009	Screw				
16	2	4161151	Pin				
17	2	4138441R	Pawl				
18	1	4161186A	Spring				
19	2	3801003	Screw				
20	1	4138722R	Ignition coil				
21	1	4098064R	Spark plug cap				
22	1	61030177R	Clutch				
23	2	3916004R	Washer				
24	2	3819005R	Washer				
25	2	3806035R	Screw				
26	1	61030190R	Spring				
27	1	4160146AR	Deflector				
28	1	61030189R	Clutch driver				
29	2	3918007R	Washer				
30	2	61030191R	Bushing				
31	1	61162041	Labels kit				

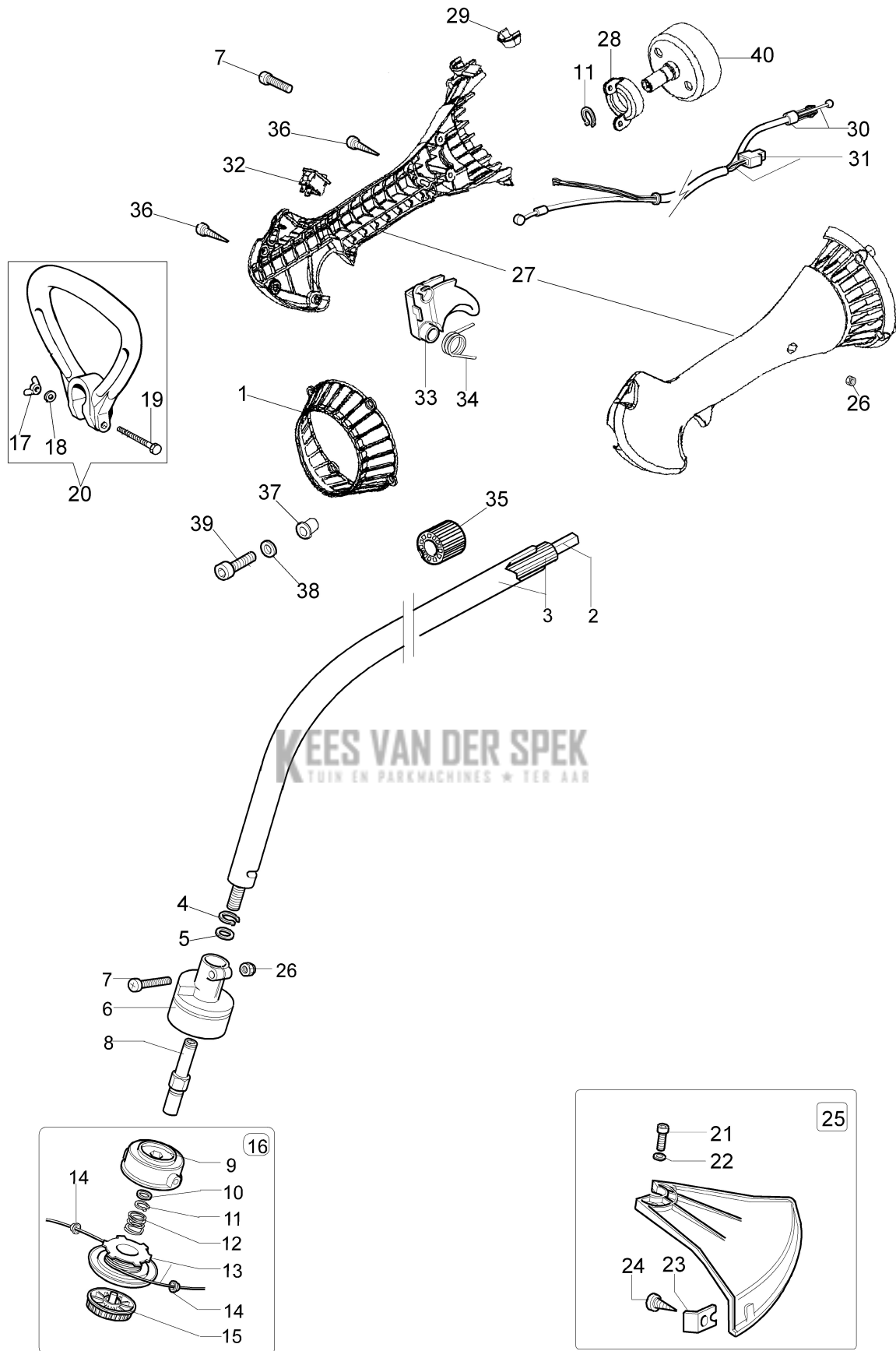
**KEES VAN DER SPEK**  
TUIN EN PARKMACHINES \* TER AAR



## Illustratie Tank and air filter

Ref.Nu	Qty	Part number	Description	Validity from	Validity till	Notes	Bulletin
1	1	61162017A	Air filter kit				
2	1	61010004	Stand				
3	3	3918010R	Washer				
4	3	3960057R	Screw				
5	1	61160014AR	Air filter				
6	1	4161438	Gasket				
7	2	3801051R	Screw				
8	1	4162256BR	Insulator				
9	2	61030112BR	Gasket				
10	2	3801012	Screw				
11	2	3833073R	Washer				
12	1	4162297R	Tube				
13	1	4098377R	Band				
14	1	4162316R	Tube				
15	1	3059002	Band				
16	1	4162270AR	Fittings				
17	1	4162268R	Bushing				
18	1	4098658AR	Breather valve				
19	1	4151258R	Complete cap				
20	1	4100308AR	Gasket				
21	1	4162296	Tube				
22	3	3801010R	Screw				
23	1	094600450R	Fuel filter				
24	1	61032026R	Complete tank				
25	1	61010002	Support				
26	3	3918005R	Washer				
27	3	3819006R	Washer				
28	1	2318393R	Carburetor		SN 9073092452		BT3-120-07/13
29	1	3049040R	O-ring		SN 9073092452		BT3-120-07/13
30	1	61150023R	Bracket		SN 9073092452		BT3-120-07/13
31	1	61030113R	Gasket				
32	1	2318393R	Carburetor	SN 9073092453			BT3-120-07/13
33	1	2318395R	Gasket set	SN 9073092453			BT3-120-07/13



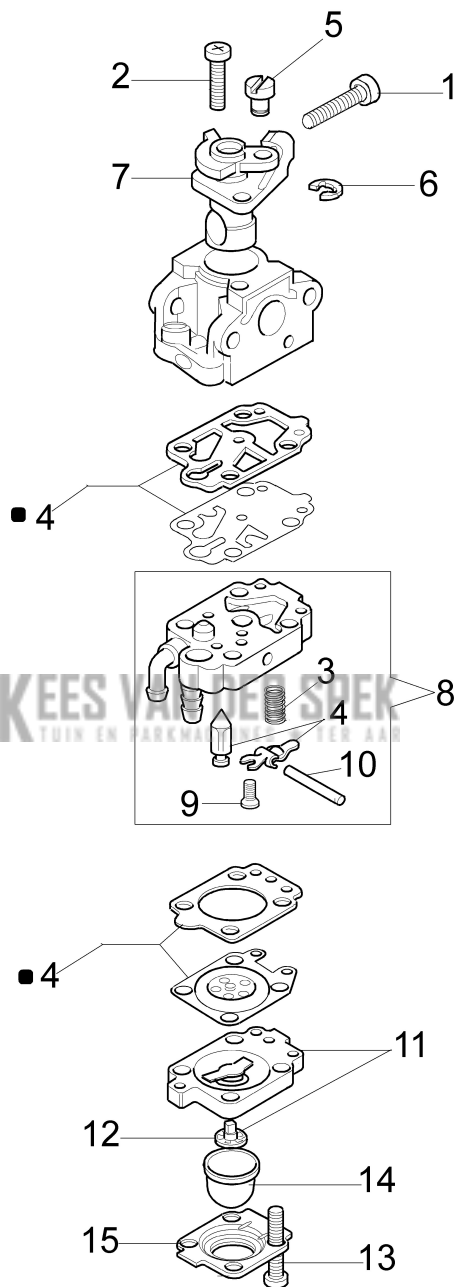


KEES VAN DER SPEK  
TUIN EN PARKMACHINES \* TER AAR

## Illustratie Transmission

Ref.Nu	Qty	Part number	Description	Validity from	Validity till	Notes	Bulletin
1	1	61160009	Grid				
2	1	61150020AR	Drive shaft				
3	1	60012079AR	Tube Ø22				
4	1	3024010R	Snap ring				
5	1	004400285	Washer				
6	1	60012002R	Hub				
7	2	3979017	Screw				
8	1	071000005	Pin				
9	1	070000192A	Cover				
10	1	3064004AR	Washer				
11	2	3024012R	Snap ring				
12	1	071000010AR	Spring				
13	1	61062006R	Nylon spool				
14	2	070000193R	Bushing				
15	1	071000006BR	Knob				
16	1	61062023A	Nylon head Ø2				
17	1	3915006	Nut				
18	1	3916006R	Washer				
19	1	3906053	Screw				
20	1	4162042A	Handle				
21	1	3801010R	Screw				
22	1	3916005R	Washer				
23	1	4174275R	Blade				
24	1	3960014	Screw				
25	1	60012008	Disc guard				
26	3	3914003R	Nut				
27	1	61162027	Complete handle				
28	1	61160015	Flange				
29	1	61160008	Bushing				
30	1	61130006R	Throttle cable				
31	1	4162267A	Cable				
32	1	2317021R	Switch				
33	1	61060003AR	Throttle lever				
34	1	61060007	Spring				
35	1	61150034AR	Spacer				
36	5	3960069AR	Screw				
37	4	61160005	Bushing				
38	4	3918010R	Washer				
39	4	4175074R	Screw				
40	1	61160007R	Clutch drum				

**KEES VAN DER SPEK**  
TUIN EN PARKMACHINES \* TER AAR



■ 4 KIT RIPARAZIONE  
REPAIR KIT

## Illustratie Carburettor WYL-245

---

Ref.Nu	Qty	Part number	Description	Validity from	Validity till	Notes	Bulletin
1	1	2318583	Screw				
2	2	2318954	Screw				
3	1	2318568	Spring				
4	1	2318674	Repair kit				
5	1	2318577	Adjuster nut				
6	1	2318189	Ring				
7	1	2318958	Valve				
8	1	2318567	Pump body				
9	1	2318569	Screw				
10	1	003300201	Spindle				
11	1	2318570	Primer body				
12	1	2318592	Valve				
13	4	2318585	Screw				
14	1	2318572	Primer pump				
15	1	2318571	Cover				

**KEES VAN DER SPEK**  
TUIN EN PARKMACHINES \* TER AAR