



# Husqvarna®



## 525LK

**KEES VAN DER SPEK**  
TUIN EN PARKMACHINES ★ TER AAR

EN	Operator's manual	2-23
FR	Manuel d'utilisation	24-47
NL	Gebbruiksaanwijzing	48-71
DE	Bedienungsanweisung	72-95
SL	Navodila za uporabo	96-117

# Contents

Introduction.....	2	Troubleshooting.....	19
Safety.....	4	Transportation and storage.....	20
Assembly.....	9	Technical data.....	20
Operation.....	11	Accessories.....	21
Maintenance.....	15	EC Declaration of Conformity.....	23

# Introduction

## Product description

The product is a grass trimmer with a combustion engine.

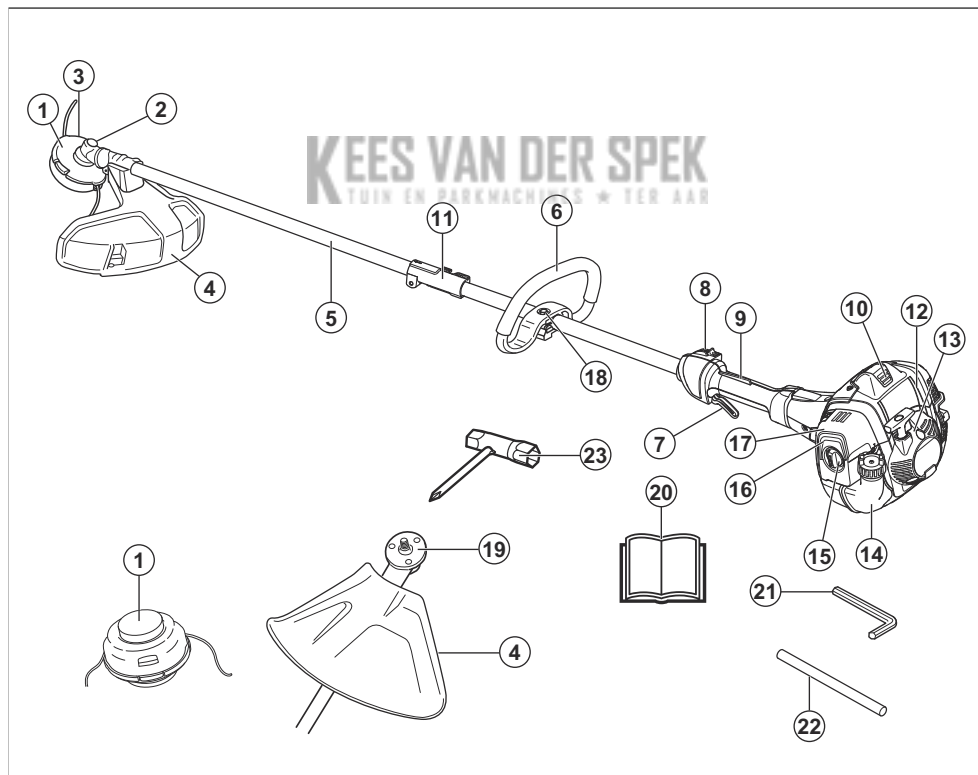
Work is constantly in progress to increase your safety and efficiency during operation. Speak to your servicing dealer for more information.

## Intended use

The product can be used with a trimmer head to cut grass. Do not use the product for other tasks than grass trimming and grass clearing.

**Note:** National or local regulations may regulate the use. Comply to given regulations.

## Product overview



- |                      |                             |
|----------------------|-----------------------------|
| 1. Trimmer head      | 3. Bevel gear               |
| 2. Grease filler cap | 4. Cutting attachment guard |

5. Shaft
6. Loop handle
7. Throttle trigger
8. Stop switch
9. Throttle trigger lockout
10. Spark plug cap and spark plug
11. Shaft coupling
12. Cylinder cover
13. Starter rope handle
14. Fuel tank
15. Air filter cover
16. Air purge bulb
17. Choke control
18. Handle adjustment
19. Drive disc
20. Operator's manual
21. Hex key
22. Locking pin
23. Combination wrench

## Symbols on the product



**WARNING!** Be careful and use the product correctly. This product can cause serious injury or death to the operator or others.



Read the operator's manual carefully and make sure that you understand the instructions before you use this product.



Use a protective helmet in locations where objects can fall on you. Use approved hearing protection. Use approved eye protection.



Use approved protective gloves.



Use heavy-duty slip-resistant boots.



The product can cause objects to eject, which can cause injury.



Maximum speed of the output shaft.



Keep a minimum of 15 m distance to persons and animals during operation of the product.



Only use flexible cutting wire. Do not use metal cutting equipment for grass trimming.



The arrows show the limit for the handle position.



Air purge bulb.



Choke.



Fuel.



Noise emission to the environment complies with applicable EC Directives. The noise emission of the product is specified in [xref] and on the label.



The product agrees with the applicable EC directives.

yyyywwxxxx

The rating plate shows the serial number. **yyyy** is the production year, **ww** is the production week.

---

**Note:** Other symbols/decals on the product refer to certification requirements for some markets.

---

## EU V



**WARNING:** Tampering with the engine voids the EU type-approval of this product.

---

## Product liability

As referred to in the product liability laws, we are not liable for damages that our product causes if:

- the product is incorrectly repaired.
- the product is repaired with parts that are not from the manufacturer or not approved by the manufacturer.
- the product has an accessory that is not from the manufacturer or not approved by the manufacturer.

- the product is not repaired at an approved service center or by an approved authority.

---

## Safety

---

### Safety definitions

Warnings, cautions and notes are used to point out specially important parts of the manual.



**WARNING:** Used if there is a risk of injury or death for the operator or bystanders if the instructions in the manual are not obeyed.



**CAUTION:** Used if there is a risk of damage to the product, other materials or the adjacent area if the instructions in the manual are not obeyed.

**Note:** Used to give more information that is necessary in a given situation.

### General safety instructions



**WARNING:** Read the warning instructions that follow before you use the product.

- A clearing saw, brushcutter or trimmer can be dangerous if used carelessly or incorrectly and can cause serious injury or death to the operator or others. It is extremely important that you read and understand the contents of this operator's manual.
- Under no circumstances may the design of the product be modified without the permission of the manufacturer. Never use a product that has been modified in any way from its original specification and always use original accessories. Non-authorized modifications and/or accessories can result in serious personal injury or the death of the operator or others.
- The inside of the muffler contain chemicals that may be carcinogenic. Avoid contact with these elements in the event of a damaged muffler.
- This product produces an electromagnetic field during operation. This field may under some circumstances interfere with active or passive medical implants. To reduce the risk of serious or fatal injury, we recommend persons with medical implants to consult their physician and the medical implant manufacturer before operating this product.

### Safety instructions for operation



**WARNING:** Read the warning instructions that follow before you use the product.

- You must understand the difference between grass clearing and grass trimming before use.
- If you encounter a situation where you are uncertain how to proceed you should ask an expert. Contact your dealer or your service workshop. Avoid all usage which you consider to be beyond your capability.
- Never use a product that is faulty. Carry out the safety checks, maintenance and service instructions described in this manual. Some maintenance and service measures must be carried out by trained and qualified specialists. Refer to *Maintenance on page 15*.
- All covers, guards and handles must be fitted before you start the product. Ensure that the spark plug cap and ignition lead are undamaged to avoid the risk of electric shock.
- Never use the product if you are fatigued, while under the influence of alcohol or drugs, medication or anything that could affect your vision, alertness, coordination or judgement.
- Do not use the product in bad weather such as dense fog, heavy rain, strong wind, intense cold, etcetera. Working in bad weather is tiring and often brings added risks, such as icy ground, unpredictable felling direction, etcetera.
- The only accessories you can operate with this engine unit are the cutting attachments that we recommend. Refer to *Accessories on page 21*.
- Never allow children to use or be in the vicinity of the product. As the product is equipped with a spring-loaded start/stop switch and can be started by low speed and force on the starter handle, even small children under some circumstances can produce the force necessary to start the product. This can mean a risk of serious personal injury. Therefore remove the spark plug cap when the product is not under close supervision.
- Running an engine in a confined or badly ventilated area can result in death due to asphyxiation or carbon monoxide poisoning.
- The complete clutch cover and shaft must be fitted before the product is started, otherwise the clutch can come loose and cause personal injury.
- Ensure that no people or animals come closer than 15 m while you work. When several operators are working in the same area the safety distance should be at least 15 m. Otherwise there is a risk of serious

personal injury. Stop the product immediately if anyone approaches. Never swing the product around without first checking behind you to make sure that no one is within the safety zone.

- Ensure that people, animals or other things can not affect your control of the product or that they do not come in contact with the cutting attachment or loose objects that are thrown out by the cutting attachment. However, do not use the product unless you are able to call for help in the event of an accident.
- Always inspect the working area. Remove all loose objects such as stones, broken glass, nails, steel wire, string, etcetera, that could be thrown out or become wrapped around the cutting attachment.
- Make sure that you can move and stand safely. Check the area around you for possible obstacles (roots, rocks, branches, ditches, etcetera) in case you have to move suddenly. Take great care when you work on sloping ground.



- Keep a good balance and a firm foothold at all times. Do not overreach.
- Always hold the product with both hands. Hold the product on the right side of your body.
- Keep the cutting attachment below waist level.
- Switch off the engine before you move to another area. Fit the transportation guard before you carry or transport the equipment any distance.
- Never put the product down with the engine running unless you have it in clear sight.
- Stop the engine and cutting equipment before you remove material that has wound around the blade shaft. Neither the operator of the product nor anyone else may attempt to remove the cut material while the engine is running or the cutting equipment is rotating, as this can result in serious injury. The bevel gear can get hot during use and may remain so for a while afterwards. You could get burnt if you touch it.
- Watch out for thrown objects. Always wear approved eye protection. Never lean over the cutting attachment guard. Stones, rubbish, etcetera, can be thrown up into the eyes which can cause blindness or serious injury.

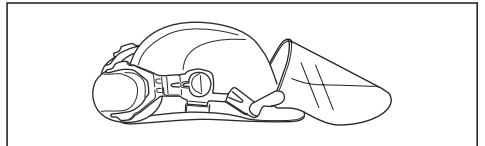
- Sometimes branches or grass get caught between the guard and cutting attachment. Always stop the engine before you clean the product.
- Always slow the engine to idle speed after each working operation. Long periods at full throttle without any load on the engine can lead to serious engine damage.
- Listen out for warning signals or shouts when you wear hearing protection. Always remove your hearing protection as soon as the engine stops.
- Overexposure to vibration can lead to circulatory damage or nerve damage in people who have impaired circulation. Contact your doctor if you experience symptoms of overexposure to vibration. These symptoms include numbness, loss of feeling, tingling, pricking, pain, loss of strength, changes in skin color or condition. These symptoms normally appear in the fingers, hands or wrists.
- Do not use a product with a damaged spark plug cap.
- Do not use a product with a defective muffler.
- Keep all parts of your body away from the rotating cutting attachment and hot surfaces.
- Never use a product with a faulty muffler
- Never start or use the product indoors, near combustible material or in spaces that lacks proper ventilation. The exhaust fumes from the engine contain carbon monoxide, an odorless, poisonous and highly dangerous gas. Also, the exhaust fumes are hot and may contain sparks that can start a fire.

## Personal protective equipment

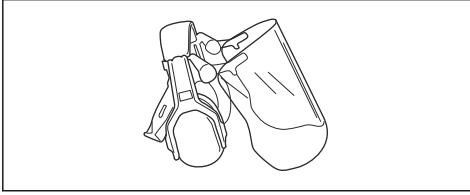


**WARNING:** Read the warning instructions that follow before you use the product.

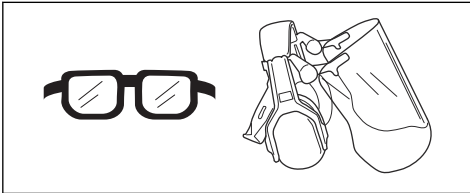
- Always use approved personal protective equipment when you use the product. Personal protective equipment cannot fully prevent injury but it decreases the degree of injury if an accident does occur. Let your dealer help you select the right equipment.
- Use a protective helmet where there is a risk of falling objects.



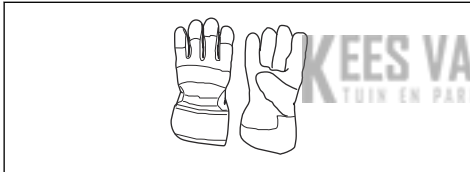
- Use approved hearing protection that provides adequate noise reduction. Long-term exposure to noise can result in permanent hearing impairment.



- Use approved eye protection. If you use a visor, you must also use approved protective goggles. Approved protective goggles must comply with the ANSI Z87.1 standard in the USAs or EN 166 in EU countries.



- Use gloves when necessary, for example when you attach, examine or clean the cutting equipment.



- Use protective boots with steel toes and non-slip soles.



- Use clothing made of a strong fabric. Always use heavy, long pants and long sleeves. Do not use loose clothing that can catch on twigs and branches. Do not wear jewelry, short pants, sandals or go with bare feet. Put your hair up safely above shoulder level.

- Keep first aid equipment close at hand.



## Safety devices on the product



**WARNING:** Read the warning instructions that follow before you use the product.

In this section the product's safety features, its purpose and how checks and maintenance should be carried out to ensure that it operates correctly. See instructions under the heading *Product overview on page 2* to find where these parts are located on your product.

The life span of the product can be reduced and the risk of accidents can increase if product maintenance is not carried out correctly and if service and/or repairs are not carried out professionally. If you need further information please contact your nearest servicing dealer.



**WARNING:** Never use a product with defective safety components. The product's safety equipment must be inspected and maintained as described in this section. If your product fails any of these checks, contact your service agent to get it repaired.

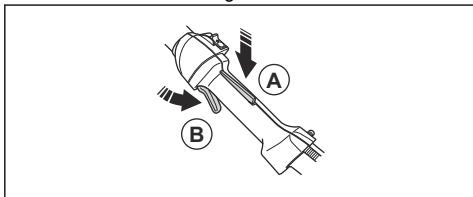


**CAUTION:** All servicing and repair work on the machine requires special training. This is especially true of the machine's safety equipment. If your machine fails any of the checks described below you must contact your service agent. When you buy any of our products we guarantee the availability of professional repairs and service. If the retailer who sells your machine is not a servicing dealer, ask him for the address of your nearest service agent.

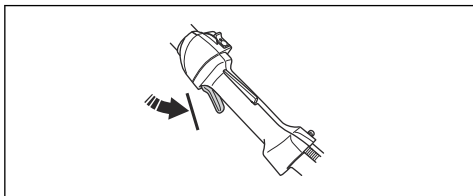
## To do a check of the throttle trigger lockout

The throttle lockout is designed to prevent accidental operation of the throttle control.

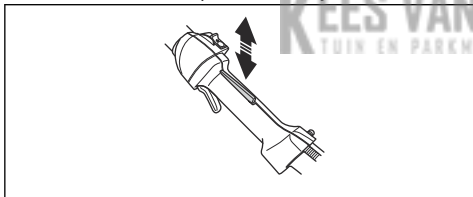
1. Press the throttle trigger lockout (A) and make sure that the throttle control is released (B). When you release the handle the throttle control and the throttle trigger lockout both move back to their initial positions. This movement is controlled by two independent return springs. This arrangement means that the throttle control is automatically locked at the idle setting.



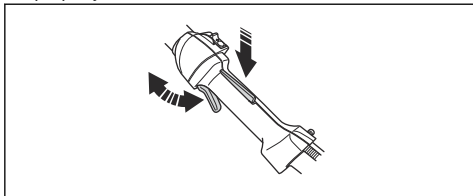
2. Make sure that the throttle control is locked at the idle setting when the throttle trigger lockout is released.



3. Press the throttle trigger lockout and make sure that it returns to its initial position when you release it.

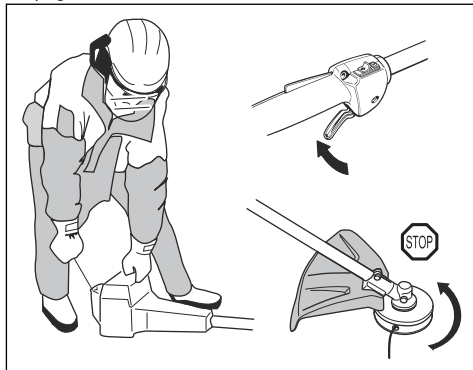


4. Do a check of the throttle control and throttle trigger lockout move freely and that the return springs work properly.



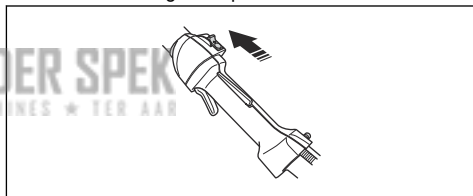
5. Start the product (refer to the instructions under *To start the product on page 14*) and apply full throttle.

6. Release the throttle and make sure that the cutting attachment stops and remains at a standstill. If the cutting attachment rotates with the throttle in the idle position the carburettor idle setting must be checked. See instructions under the chapter *Maintenance on page 15*.



#### To do a check of the stop switch

1. Start the engine.
2. Move the stop switch to the stop position and make sure that the engine stops.



#### To do a check of the cutting attachment guard



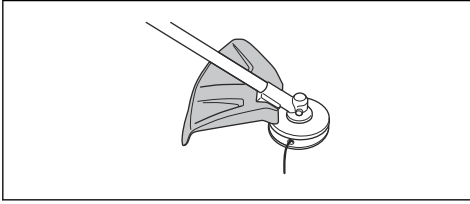
**WARNING:** Do not use a cutting attachment without an approved and correctly attached cutting attachment guard. Refer to, *Accessories on page 21*.



**WARNING:** Always use the recommended cutting attachment guard for the cutting attachment that you use. If an incorrect or faulty cutting attachment guard is fitted this can cause serious personal injury. Refer to, *Technical data on page 20*.

The cutting attachment guard prevents injuries from objects that eject in the direction of the operator. It also

prevents injuries that occur if you touch the cutting attachment.



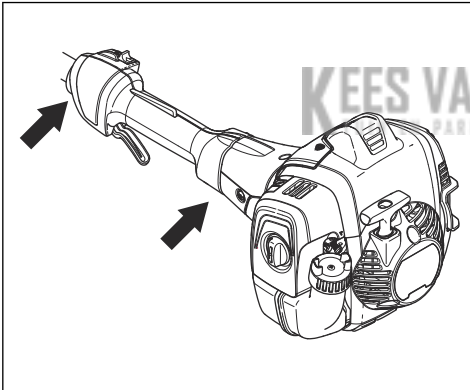
1. Do a visual check for damages, for example cracks.
2. Replace the cutting attachment guard if it is damaged.

#### To do a check of the vibration damping system



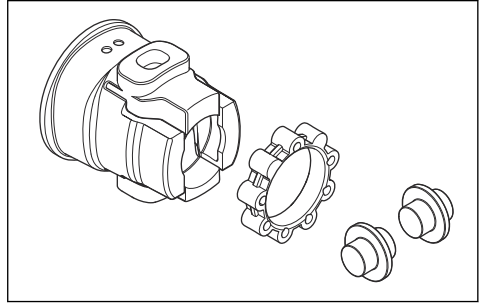
**WARNING:** Use of incorrectly wound cord or an incorrect cutting attachment increases the level of vibration.

The vibration damping system decreases vibration in the handles to a minimum which makes the operation easier. The vibration damping system decreases the vibrations between the engine unit and the shaft unit.

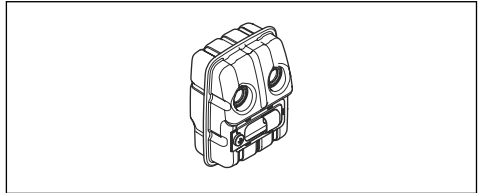


1. Stop the engine.
2. Do a visual check for deformation and damage, for example cracks.

3. Make sure that the vibration damping units are attached correctly.

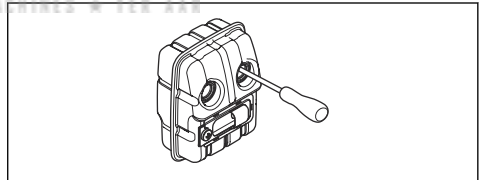


#### To do a check of the muffler

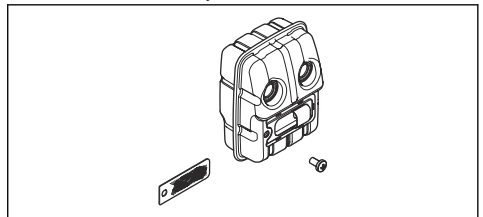


The muffler keeps noise levels to a minimum and sends exhaust fumes away from the operator.

- Do a visual check for damage and deformation.
- Make sure that the muffler is correctly attached to the product.



- If the muffler on your product has a spark arrester screen, do a visual check. Replace the spark arrester screen if it is damaged.
  - a) Clean the spark arrester screen if it is blocked. A blocked spark arrester screen causes the engine to become too hot which causes damage to the engine.
  - b) Make sure that the spark arrester mesh is attached correctly.



## Fuel Safety



**WARNING:** Read the warning instructions that follow before you use the product.

- Never start the product if you spill fuel on it. Wipe the spillage of and allow remaining fuel to evaporate.
- Never start the product if you spill fuel on yourself or your clothes. Change your clothes and wash any part of your body that has come in contact with fuel. Use soap and water.
- Never start the product if the product is leaking fuel. Check regularly for leaks from the fuel cap and fuel lines.
- Always put the product on a flat surface and make sure the cutting attachment cannot come in contact with any object while you add fuel.
- Take care when handling fuel. Bear in mind the risk of fire, explosion and inhaling fumes.
- Observe caution when handling fuel and make sure there is adequate ventilation. Fuel and fuel fumes are highly inflammable and can cause serious injury when inhaled or allowed to come in contact with the skin.
- Mix and pour fuel outdoors, where there are no sparks or flames.
- Do not smoke or place hot objects near fuel.
- Always stop the engine and let it cool off for a few minutes before you refuel.
- Open the fuel cap slowly so that any excess pressure is released gently when you refuel.

- Tighten the fuel cap carefully after you refueled.
- Clean the area around the fuel cap. Contamination in the tank can cause operating problems.
- Always move the product 3m (10ft) or further from the refuelling area and source before starting.

## Safety instructions for maintenance



**WARNING:** Always stop the engine before you do any work on the cutting attachment. The cutting attachment continues to rotate even after the throttle has been released. Ensure that the cutting attachment has stopped completely and disconnect the spark plug before you start to work on it.



**WARNING:** A faulty cutting attachment may increase the risk of accidents.



**WARNING:** Make sure that the trimmer cord is wound tightly and evenly around the drum, otherwise the product will generate harmful vibration.

- Only use cutting attachments with the guards we recommend. Refer to *Accessories on page 21*.

## Assembly

### Introduction



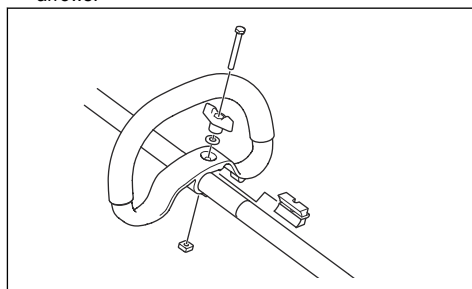
**WARNING:** Before you assemble the product, you must read and understand the safety chapter.



**WARNING:** Remove the spark plug cable from the spark plug before you assemble the product.

### To assemble the loop handle

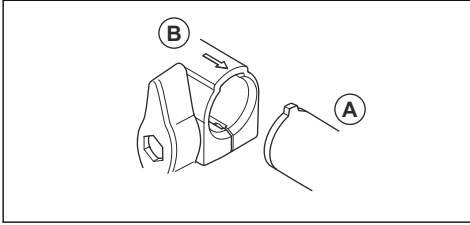
1. Put the loop handle onto the shaft, between the arrows.



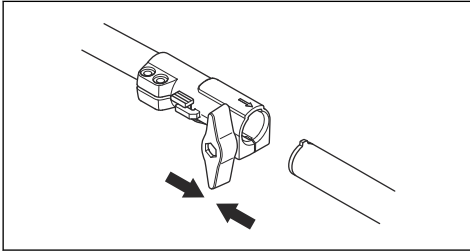
2. Put the spacer into the slot of the loop handle.
3. Install the nut, the knob and the screw. Do not tighten fully.
4. Adjust the product to an applicable operation position.
5. Tighten the knob.

## To assemble the two-piece shaft

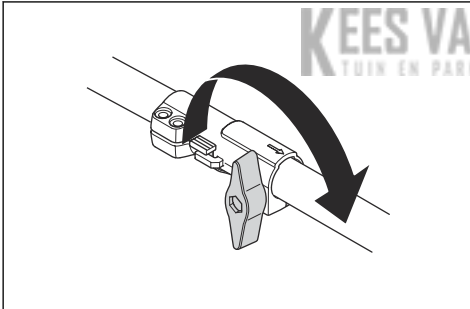
1. Turn the knob to loosen the coupling.
2. Align the tab of the cutting attachment (A) with the arrow of the coupling (B).



3. Carefully push the shaft into the coupling until you hear a click.

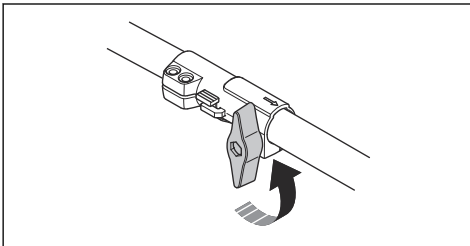


4. Tighten the knob fully.



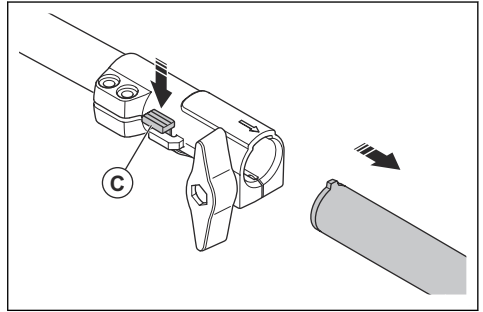
## To disassemble the two-piece shaft

1. Turn the knob 3 turns or more to loosen the coupling.



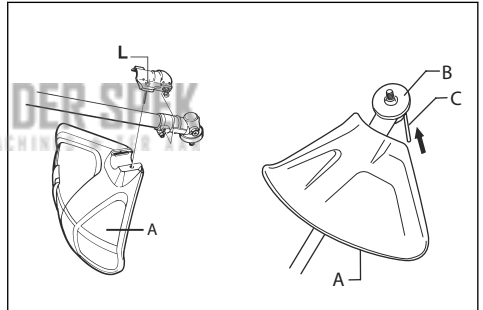
2. Push and hold the button (C).

3. Hold tight in the end of the shaft that the engine is attached to.
4. Pull the attachment straight out of the coupling.



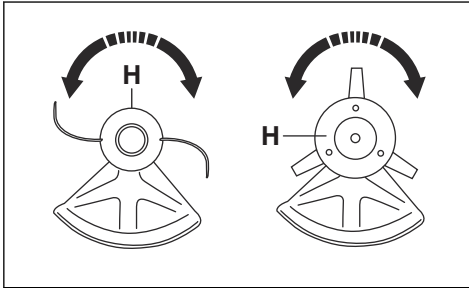
## To assemble the cutting attachment guard and trimmer head

1. Attach the correct cutting attachment guard (A) for the trimmer head. Refer to *Accessories on page 21*.
2. Put the cutting attachment guard onto the fitting on the shaft.
3. Attach with the bolt (L).



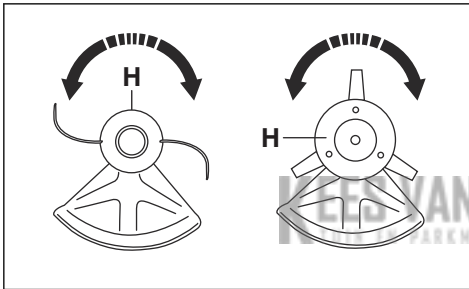
4. Install the drive disc (B) on the output shaft.
5. Turn the output shaft until one of the holes in the drive disc aligns with the related hole in the gear housing.
6. Put the locking pin (C) in the hole to lock the shaft.

- Turn the trimmer head /plastic blades (H) in the opposite direction from which the trimmer head/ plastic blades rotates.

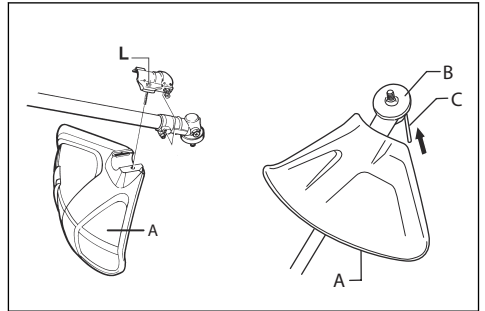


### To disassemble the cutting attachment guard and trimmer head

- Turn the trimmer head /plastic blades (H) in the direction from which the trimmer head/plastic blades rotates.



- Pull the locking pin (C) out from the hole to unlock the shaft.
- Remove the drive disc (B) on the output shaft.
- Loosen the bolt(L) from the cutting attachment guard-fitting on the shaft.



- Remove the cutting attachment guard (A).

## Operation

### Fuel

This product has a two-stroke engine.



**CAUTION:** Incorrect type of fuel can result in engine damage. Use a mixture of gasoline and two-stroke oil.

### Gasoline



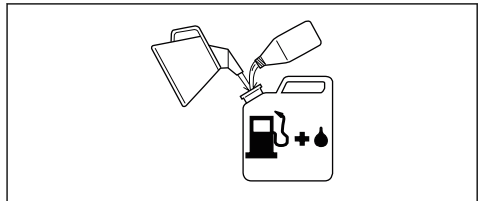
**CAUTION:** Always use a quality gasoline/oil mixture of at least 90 octane (RON). There is a risk that use of lower octane grade causes knocking. This gives rise to high engine temperature, which can result in serious engine damage.



**CAUTION:** If your product is equipped with a catalytic converter use a good quality

unleaded gasoline/oil mixture. Leaded gasoline will destroy the catalytic converter.

- Use low-emission gasoline, also known as alkylate gasoline, if it is available.



- Ethanol blended fuel, E10 may be used (max 10% ethanol blend). Using ethanol blends higher than E10 will cause lean running condition which can damage the engine.
- We recommend a higher octane rating when you do work at continuous high speed.

## Husqvarna alkylate fuel

We recommend you to use Husqvarna alkylate fuel for best performance. The fuel contains less dangerous material compared to regular fuel, which decreases dangerous exhaust fumes. The fuel gives a low quantity of dangerous remainings when it is combusted, which keeps the components of the engine more clean. This extends the life of the engine. Husqvarna alkylate fuel is not available in all markets.

### Two-stroke oil



**CAUTION:** Unsatisfactory oil quality and/or incorrect oil/fuel ratio can damage the product and decrease the life time of catalytic converters.



**CAUTION:** Do not use two-stroke oil for water-cooled outboard engines, also referred to as outboard oil.



**CAUTION:** Do not use oil for four-stroke engines.

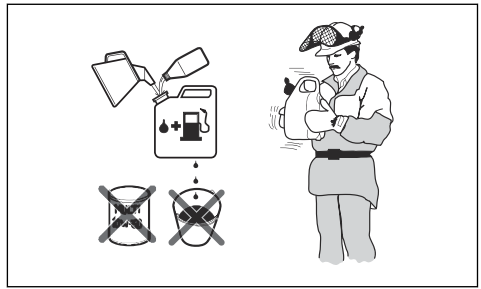
- For best results and performance use Husqvarna two-stroke oil.
- If Husqvarna two-stroke oil is not available, use a different two-stroke oil of good quality for air-cooled engines. Speak to your servicing dealer to select the correct oil.

Gasoline, l	Two-stroke oil, l
	<b>2% (50:1)</b>
5	0.10
10	0.20
15	0.30
20	0.40

### To mix gasoline and two-stroke oil



**CAUTION:** There is a risk that small errors influence the ratio of the mixture drastically when you mix small quantities of fuel. Carefully measure the quantity of oil to be mixed to make sure that you get the correct mixture.

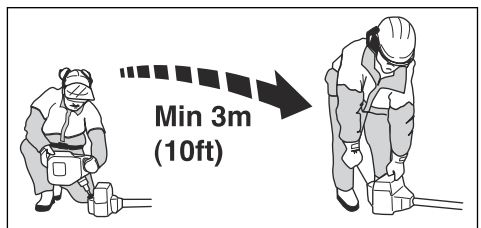


1. Fill half the quantity of the gasoline to be used.
2. Add the full quantity of oil and mix (shake) the fuel mixture.
3. Add the remaining quantity of gasoline.
4. Carefully mix (shake) the fuel mixture and fill the fuel tank of the product.
5. Empty and clean the fuel tank if you do not use the product for some time.

**Note:** Do not mix fuel for more than 1 month at a time and always mix gasoline and oil in a clean container intended for fuel.

### To fill the fuel tank

1. Clean the area around the fuel tank cap.
2. Shake the container and make sure that the fuel is fully mixed. Use a fuel container with an anti-spill valve.
3. Fill the fuel tank.
4. Tighten the fuel tank cap carefully.
5. Move the product 3 m (10 ft) or more away from the refueling area and fuel source before starting.

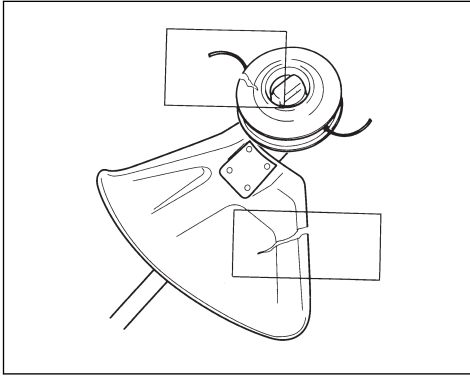


**CAUTION:** Contamination in the tanks causes malfunction. Clean the fuel tank and chain oil tank regularly and replace the fuel filter one time a year or more.

### Before you operate the product

- Examine the work area to make sure that you know the type of terrain. Examine the slope of the ground and if there are obstacles such as stones, branches and ditches.

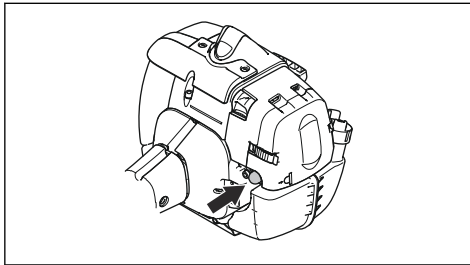
- Do an overhaul inspection of the product.
- Do the safety inspections, maintenance and servicing that are given in this manual.
- Make sure that all covers, trimmer guard and trimmer head correctly attached and not damaged or cracked. Replace if they are exposed to impact or cracked.



**WARNING:** Do not use the product without a guard or a guard that is defective.

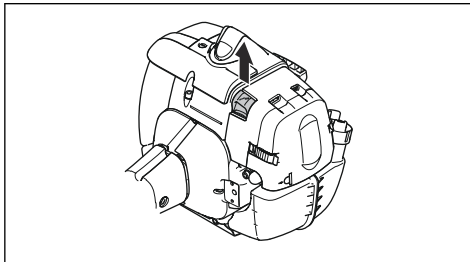
### To prepare the product for start

1. Press the air purge again and again until the fuel starts to fill the bulb.



**Note:** It is not necessary to fully fill the bulb.

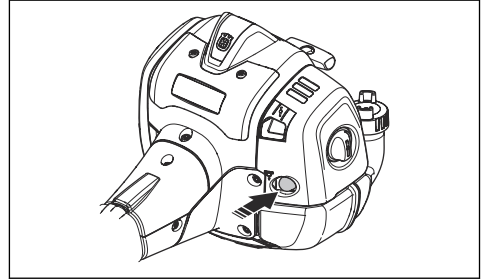
2. Move the choke control up into choke position.



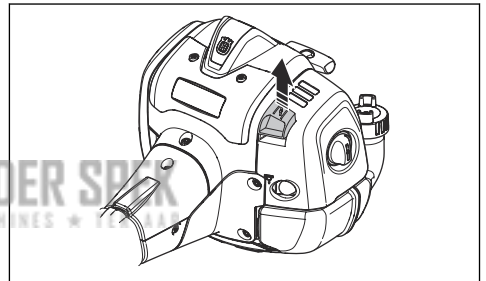
**WARNING:** The cutting attachment will start to rotate immediately when you start the engine with the choke.

### To prepare a cold engine for start

1. Push the air purge bulb again and again until fuel starts to fill the bulb. It is not necessary to fill the air purge bulb fully.



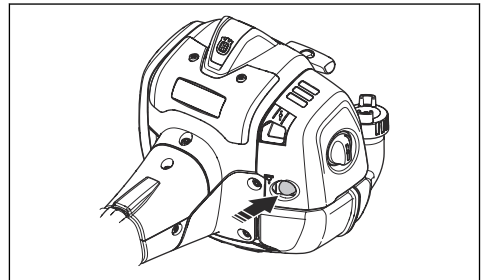
2. Move the choke control up into choke position.



**WARNING:** The cutting attachment starts to rotate immediately when you start the engine with the choke.

### To prepare a warm engine for start

1. Push the air purge bulb again and again until fuel starts to fill the bulb. It is not necessary to fill the air purge bulb fully.



2. Pull the starter rope handle until the engine starts. Push the throttle trigger slowly to increase the speed gradually.



**CAUTION:** Do not pull the starter rope to full extension. Do not let go of the starter rope handle when the starter rope is fully extended. This can cause damage to the product.

## To start the product



**WARNING:** Read the warning instructions in the safety chapter before you start the product (refer to *Safety on page 4*).

1. Use protective gloves.
2. Hold the body of the product on the ground with your left hand.



**CAUTION:** Do not use your feet!

3. Hold the starter rope handle.
4. Slowly pull out the starter rope with your right hand until you feel some resistance (the starter pawl grip).



**WARNING:** Do not twist the starter rope around your hand.

5. Pull the cord quickly and with power.

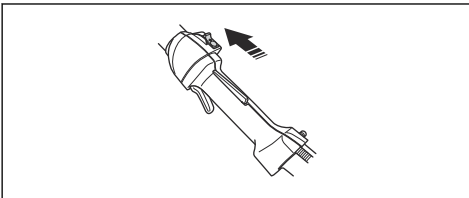


**CAUTION:** Do not pull the starter rope all the way out and do not let go off the starter rope handle when the starter rope is fully extended. This can cause damage to the product.

6. Pull the starter rope again and again until the engine starts.
7. Reset the choke when the engine fires.
8. Operate the throttle gradually when the engine starts.
9. Make sure the engine runs smoothly.

## To stop the product

1. Move the stop switch into the stop position to stop the engine.



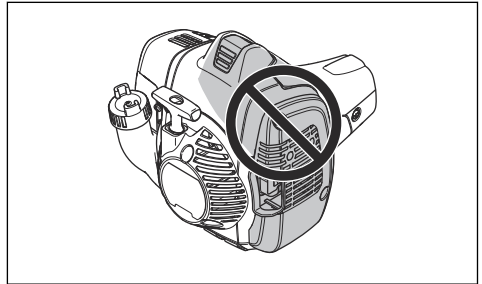
**CAUTION:** The stop switch automatically goes back to its initial position. In order to prevent accidental

starting, the spark plug cap must be removed from the spark plug when assembling, checking and/or maintenance is done.

## About the surface



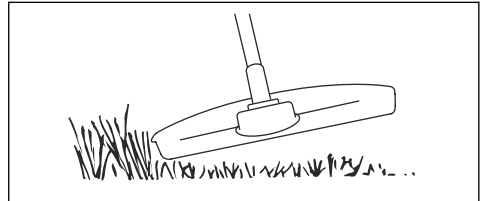
**WARNING:** Do not touch the area that is identified with gray in the illustration. There is a risk of burn injuries when the product is hot. There is a risk of electrical shock if the spark plug cap is damaged. Do not use a product that has a damaged spark plug cap.



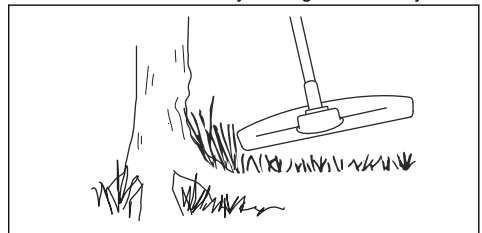
## Grass trimming with a trimmer head

### To trim the grass

1. Hold the trimmer head immediately above the ground at an angle. Do not push the trimmer line into the grass.

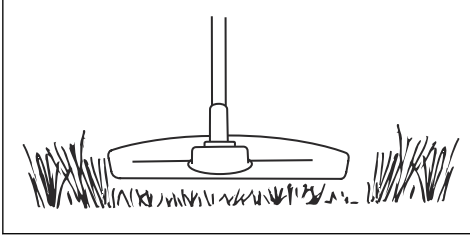


2. Decrease the length of the trimmer line by 10-12 cm / 4-4.75 in.
3. Decrease the engine speed to decrease the risk of damage to plants.
4. Use 80 % throttle when you cut grass near objects.

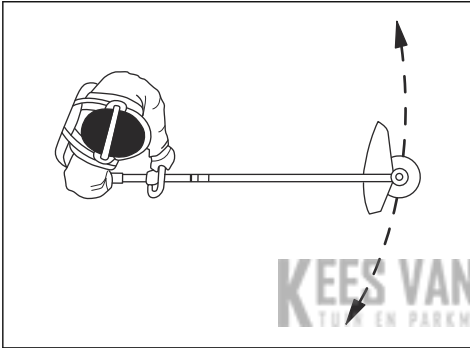


## To cut the grass

1. Make sure that the trimmer line is parallel to the ground when you cut the grass.



2. Do not push the trimmer head to the ground. This can cause damage to the product.
3. Move the product from side to side when you cut grass. Use full speed.



## To sweep the grass

The airflow from the rotating trimmer line can be used to remove cut grass from an area.

1. Hold the trimmer head and the trimmer line parallel to the ground and above the ground.
2. Apply full throttle.
3. Move the trimmer head from side to side and sweep the grass.



**WARNING:** Clean the trimmer head cover each time you assemble new trimmer line to prevent unbalance and vibrations in the handles. Also do a check of the other parts of the trimmer head and clean it if necessary.

## Maintenance

### Maintenance schedule



**WARNING:** Only do the maintenance and servicing given in this operator's

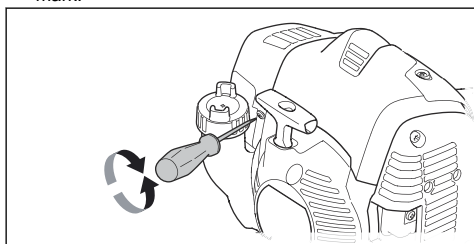
manual. For maintenance or servicing that is not given in this operator's manual, speak to your servicing dealer.

Maintenance	Daily	Weekly	Monthly
Clean the external surface.	X		
Make sure that the throttle trigger lockout and the throttle trigger operates correctly.	X		
Do a check of the stop switch to make sure that it operates correctly.	X		
Make sure that the cutting attachment does not rotate at idle speed.	X		
Clean the air filter. Replace the air filter if it is necessary.	X		
Examine the cutting attachment guard for damages and cracks. Replace the guard if it is hit or damaged.	X		
Examine the trimmer head for damages and cracks. Replace the trimmer head if it is damaged.	X		

Maintenance	Daily	Weekly	Monthly
Make sure that the screws and nuts are tight.	X		
Examine the engine, the fuel tank and the fuel lines for leaks.	X		
Clean the cooling system.		X	
Examine the starter and the starter rope for damages.		X	
Examine the vibration damping elements for damages and cracks.		X	
Clean the external parts of the spark plug. Remove it and do a check of the electrode gap. Adjust the electrode gap to the correct distance, refer to <i>Technical data on page 20</i> or replace the spark plug. Make sure that the spark plug is fitted with a suppressor.		X	
Clean the external parts of the carburetor and the area around it.		X	
Do a check of the bevel gear to make sure that it is filled $\frac{3}{4}$ with grease. Fill the bevel gear with Husqvarna special grease if it is necessary.		X	
Clean or replace the spark arrestor mesh on the muffler (only applies to mufflers without a catalytic converter).		X	X
Do a check of the fuel filter for contamination and the fuel hose for cracks or other defects. Replace parts if it is necessary.			X
Do a check of all the cables and connections.			X
If it is necessary to replace the clutch, clutch springs or clutch drum, speak to your servicing dealer.			X
Replace the spark plug. Make sure that the spark plug is fitted with a suppressor.			X

## To adjust the idle speed

1. Make sure that the air filter is clean and the air filter cover is installed.
2. Adjust the idle speed with the idle adjustment screw. The idle adjustment screw T is identified with a "T" mark.



3. Turn the idle adjustment screw clockwise until the cutting attachment starts to turn.
4. Turn the idle adjustment screw counterclockwise until the cutting attachment stops.

The idle speed is correct when the engine operates smoothly in all positions. The idle speed must be below the speed when the cutting attachment starts to turn.



**WARNING:** If the cutting attachment does not stop when you adjust the idle speed, turn to your nearest servicing dealer. Do not use the product until it is correctly adjusted or repaired.

**Note:** Refer to *Technical data on page 20* for the recommended idle speed.

## To do maintenance on the trimmer head

1. Only use the recommended cutting attachment and cutting attachment guard. Refer to *Accessories on page 21*.
2. Make sure that the cutter on the cutting attachment guard is not damaged, it cuts the cord to the correct length.
3. Install the cord as the illustrations on the last pages of the manual shows.

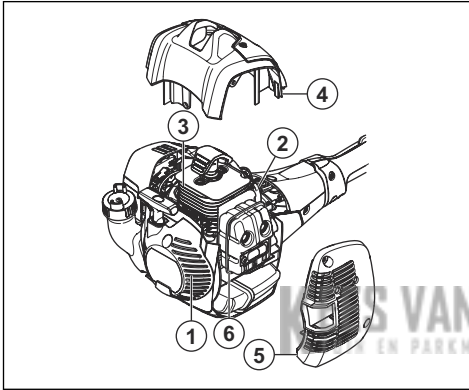
## Cooling system

The product has a cooling system to keep the operation temperature as low as possible.

Clean the components of the cooling system with a brush weekly or more frequently in rougher conditions. A dirty or blocked cooling system makes the product too hot which causes damage to the piston and cylinder.

The cooling system has the following components:

1. Air intake on the starter.
2. Fins on the flywheel.
3. Cooling fins on the cylinder.
4. Cylinder cover.
5. Muffler cover.
6. Muffler plate.



## To do maintenance on the muffler

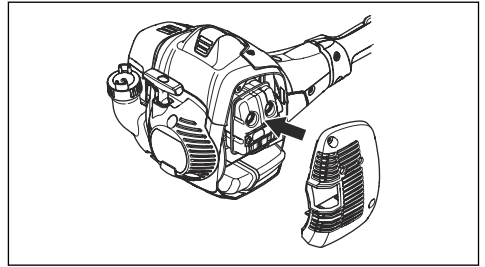
The muffler decreases the noise level and directs the exhaust gases away from the operator.



**WARNING:** Mufflers that have catalytic converters get very hot during operation and will stay hot for some time after you stop the product. This also applies at idle speed. If you touch the product it can result in burns to the skin. Think about of the risk of fire.

1. Stop the product and let it cool down.

2. Remove the cover to the muffler.



3. Remove the screw holding the spark arrestor mesh.



4. Clean the spark arrestor mesh if it is blocked or replace it if it is damaged.



**CAUTION:** The spark arrestor mesh must be replaced if it is damaged. Do not use a product if the spark arrestor mesh on the muffler is missing or defective.



**CAUTION:** If the spark arrestor mesh is frequently blocked it can be a sign that performance of the catalytic converter is decreased. Turn to your servicing dealer to examine the muffler. A blocked spark arrestor mesh will cause overheating and result in damage to the cylinder and piston.

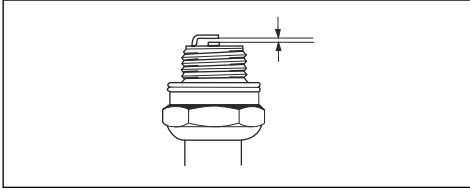
## To examine the spark plug



**CAUTION:** Always use the recommended spark plug type. Incorrect spark plug type can cause damage to the product.

- Examine the spark plug if the engine is low on power, is not easy to start or does not operate correctly at idle speed.
- To decrease the risk of unwanted material on the spark plug electrodes, obey these instructions:
  - a) Make sure that the idle speed is correctly adjusted.
  - b) Make sure that the fuel mixture is correct.
  - c) Make sure that the air filter is clean.

- If the spark plug is dirty, clean it and make sure that the electrode gap is correct, refer to *Technical data on page 20*.



- Replace the spark plug if it is necessary.

## Air filter

Remove dust and dirt from the air filter to keep it clean in order to prevent:

- Carburettor malfunctions.
- Starting problems.
- Loss of engine power.
- Unnecessary wear to engine parts.
- Too much fuel consumption.

Clean the air filter at an interval of 25 hours, or more regularly if conditions are unusually dusty.

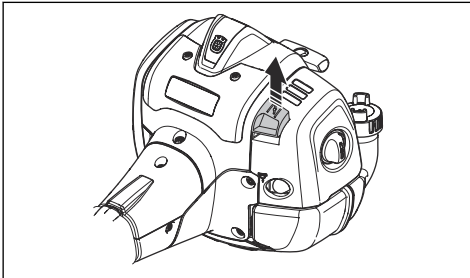
## To clean the air filter



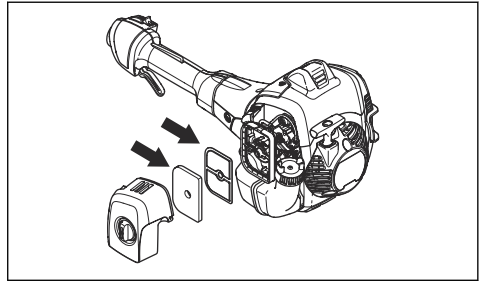
**CAUTION:** A air filter that is damaged, very dirty or soaked with fuel must always be replaced.

If you use an air filter for a long time it cannot be fully cleaned. Replace the air filter with a new one at regular intervals.

1. Move the choke lever up, to close the choke valve.



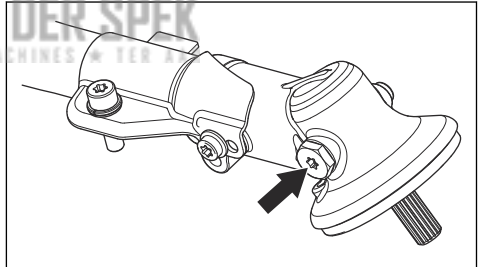
2. Remove the air filter cover and remove the air filter.



3. Clean the air filter with warm soap water.
4. Replace the air filter if it is too dirty to fully clean it. Always replace a damaged air filter.
5. Also clean the inner surface of the filter cover. Use air or a brush.
6. Do a check of the rubber sealing surface. Replace the filter on the rubber seal if it is damaged.
7. Make sure that the filter is dry before you assemble it.

## Bevel gear

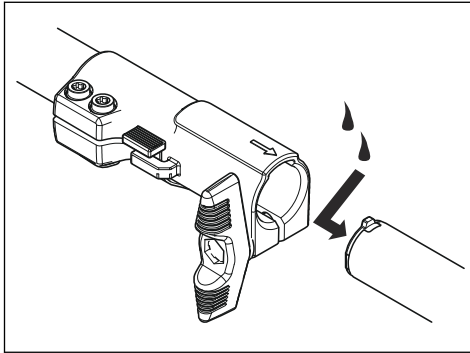
The bevel gear is filled with the right quantity of grease at the factory. But, before you use the product, make sure that the bevel gear is 3/4 full with grease. Use Husqvarna special grease.



The grease in the bevel gear does not need to be changed unless repairs are carried out.

## Two piece-shaft

Apply grease to the end of the drive shaft after each 30 hours of operation. There is a risk that the drive shaft ends (splined coupling) on models with two-piece shafts will seize if they are not lubricated regularly.



## Troubleshooting

### The engine does not start

Check	Possible cause	Procedure
Stop switch.	The stop switch is in the stop position.	Set the stop switch to the start position.
Starter pawls.	The starter pawls cannot move freely.	Remove the starter cover and clean around the starter pawls.
		Let an approved service agent help you.
Fuel tank.	Incorrect fuel type.	Drain the fuel tank and fill with correct fuel.
Spark plug.	The spark plug is dirty or wet.	Make sure that the spark plug is dry and clean.
	The spark plug electrode gap is incorrect.	Clean the spark plug. Make sure that the electrode gap is correct. Make sure that the spark plug has a suppressor.  Refer to technical data for correct electrode gap.
	The spark plug is loose.	Tighten the spark plug.

### The engine starts but stops again

Check	Possible cause	Procedure
Fuel tank.	Incorrect fuel type.	Empty the fuel tank and fill it with correct fuel.
Air filter.	The air filter is clogged.	Clean the air filter.

---

## Transportation and storage

---

### Transportation and storage

- Store and transport the product and fuel so that there is no risk that any leakage or fumes comes in contact with sparks or open flames, for example, from electrical machinery, electric motors, electrical relays/switches or boilers.
- When you store and transport fuel always use approved containers intended for this purpose.
- When you store the product for long periods the fuel tank must be emptied. Contact your local petrol station to find out where to dispose excess fuel. Drain the tank into the appropriate containers and in a well ventilated area.
- Ensure that the product is cleaned and that a complete service is carried out before long-term storage.
- The transport guard must always be fitted to the cutting attachment when the product is transported or in storage.
- Secure the product during transport.
- In order to prevent unintentional start of the engine, the spark plug cap must always be removed during long-term storage if the product is not under close supervision and when you perform all service measures.
- Allow the product to cool before you put in i storage.

---

## Technical data

---

### Technical data

	525LK
<b>Engine</b>	
Cylinder displacement, cm <sup>3</sup>	25.4
Idle speed, rpm	3000
Recommended max. speed, rpm	9500
Speed of output shaft, rpm	6500
Max. engine output, according to ISO 8893, kW/hp @ rpm	1.5 / @ 8500
Catalytic converter muffler	Yes
<b>Ignition system</b>	
Spark plug	NGK BPMR8Y
Electrode gap, mm	0.65
<b>Fuel and lubrication system</b>	
Manufacturer/type of carburetor	Walbro WTEA-8C
Fuel tank capacity, litre	0.51
<b>Weight</b>	
Without fuel, cutting attachment and guard, kg	4.7
<b>Noise emissions <sup>1</sup></b>	

<sup>1</sup> Noise emissions in the environment measured as sound power ( $L_{WA}$ ) in conformity with EC directive 2000/14/EC. Reported sound power level for the machine has been measured with the original cutting attachment that gives the highest level. The difference between guaranteed and measured sound power is that the guaranteed sound power also includes dispersion in the measurement result and the variations between different machines of the same model according to Directive 2000/14/EC.

	<b>525LK</b>
Sound power level, measured dB (A)	104
Sound power level, guaranteed L <sub>WA</sub> dB (A)	106
<b>Sound levels</b> <sup>2</sup>	
Equivalent sound pressure level at the operator's ear, measured according to EN ISO 11806 and ISO 7917, dB(A), min./max.:	
Equipped with trimmer head (original)	99
<b>Vibration levels</b>	
Equivalent vibration levels (a <sub>h<sub>v,eq</sub></sub> ) at handles, measured according to EN ISO 11806 and ISO 22867, m/s <sup>2</sup> :	
Equipped with trimmer head (original), left/right	3.0/3.3

---

## Accessories

---

### Accessories

The accessories are recommended for use in combination with the specified power heads and have been evaluated to applicable ISO- and EN safety

requirement standards by the Swedish Machinery Testing Institute.

Approved accessories	Accessory type	Cutting attachment guard, art. no.
Blade shaft thread M10		
Plastic blades	Tricut Ø 255 mm (separate blades have part number 531 01 77-15)	588 54 37-01 / 588 11 79-01 503 93 42-02 / 503 97 71-01
	Tricut Ø 300 mm (separate blades have part number 531 01 77-15)	588 54 37-01

<sup>2</sup> Reported data for equivalent sound pressure level has a typical statistical dispersion (standard deviation) of 1 dB (A).

Approved accessories	Accessory type	Cutting attachment guard, art. no.
Trimmer head	Trimmy Fix (Ø2.4 mm cord)	588 54 37-01 / 588 11 79-01 503 93 42-02 / 503 97 71-01
	Superauto II (Ø 2,4-2,7 mm cord)	588 54 37-01 / 588 11 79-01 503 93 42-02 / 503 97 71-01
	S35 (Ø 2,4-3,0 mm cord)	588 54 37-01 / 588 11 79-01 503 93 42-02 / 503 97 71 01
	T25 (Ø 2.0-2.7 mm cord)	588 54 37-01 / 588 11 79-01 503 93 42-02 / 503 97 71-01
	T35, T35x (Ø 2,4-3,0 mm cord)	588 54 37-01 / 588 11 79-01 503 93 42-02 / 503 97 71-01
	Alloy (Ø 2,0-3,3 mm cord)	588 54 37-01 / 588 11 79-01 503 93 42-02 / 503 97 71-01

Approved attachments	Use with
Clean sweep attachment SR600-2	525LK
Hedge trimmer attachment HA110	525LK
Hedge trimmer attachment HA850	525LK
Edger attachment EA850	525LK
Saw attachment PA1100	525LK
Trimmer attachment TA850	525LK
Extension attachment EX850	525LK
Cultivator attachment CA230	525LK
Blower attachment BA101	525LK
Bristle brush attachment BR600	525LK
Dethatcher attachment DT600	525LK
Brush cutter attachment BCA850-24	525LK

---

# EC Declaration of Conformity

---

## EC Declaration of Conformity

**Husqvarna AB**, SE-561 82 Huskvarna, Sweden, tel: +46-36-146500, declares that the trimmer **Husqvarna 525LK** with serial numbers dating from 2016 onwards (the year is clearly stated on the rating plate, followed by the serial number), comply with the requirements of the COUNCIL'S DIRECTIVE:

- of May 17, 2006 "relating to machinery" **2006/42/EC**
- of February 26, 2014 "relating to electromagnetic compatibility" **2014/30/EU**
- of May 8, 2000 "relating to the noise emissions in the environment" **2000/14/EC**. Conformity assessment according to Annex V. For information relating to noise emissions, refer to *Technical data on page 20*.
- of June 8, 2011 "on the restriction of the use of certain hazardous substances in electrical and electronic equipment" **2011/65/EU**

The following standards have been applied:

**EN ISO 12100:2010, EN ISO 11806-1:2011, ISO 14982:2009, CISPR 12:2009, EN 50581:2012**

RISE SMP Svensk Maskinprovning AB, Box 7035, SE-750 07 Uppsala, Sweden, has performed voluntary type examination on behalf of Husqvarna AB. The certificates are numbered: **SEC/13/2382** - 525LK

Huskvarna, 2016-03-30



A large, handwritten signature in black ink, reading 'Per Gustafsson', is positioned over a faint, semi-transparent watermark. The watermark consists of the text 'KEES VAN DER SPEK' in a large, bold, sans-serif font, with 'HOUT EN PARKMACHINES \* TER AAR' in a smaller font below it.

Per Gustafsson, Development Manager (Authorized representative for Husqvarna AB and responsible for technical documentation)

# Sommaire

Introduction.....	24	Dépannage.....	42
Sécurité.....	26	Transport et stockage.....	43
Montage.....	32	Caractéristiques techniques.....	44
Utilisation.....	34	Accessoires.....	45
Entretien.....	38	Déclaration de conformité CE.....	47

# Introduction

## Description du produit

Le produit est un coupe-bordures équipé d'un moteur à combustion.

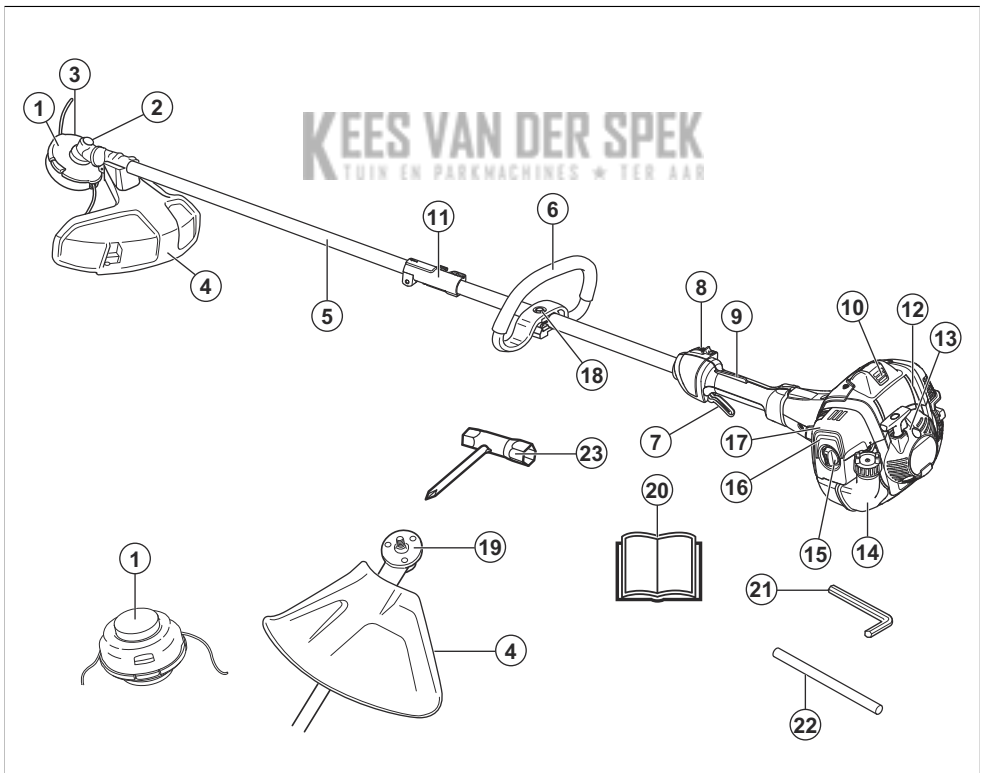
Nous travaillons en permanence à l'amélioration de votre sécurité et de votre efficacité pendant l'utilisation. Pour davantage d'informations, contactez votre atelier d'entretien.

## Utilisation prévue

Le produit peut être utilisé avec une tête de désherbage pour couper l'herbe. N'utilisez pas ce produit pour d'autres tâches que le désherbage et débroussaillage.

**Remarque:** La législation nationale ou locale peut réglementer l'utilisation. Respectez la législation en vigueur.

## Aperçu du produit



1. Tête de désherbage

2. Bouchon de remplissage en graisse

3. Renvoi d'angle
4. Protection pour l'équipement de coupe
5. Arbre
6. Poignée anneau
7. Gâchette d'accélération
8. Bouton d'arrêt
9. Blocage de la gâchette d'accélération
10. Chapeau de bougie et bougie
11. Raccord du tube de transmission
12. Capot de cylindre
13. Poignée du câble du démarreur
14. Réservoir de carburant
15. Couvercle de filtre à air
16. Poire de la pompe à carburant
17. Starter
18. Réglage de poignée
19. Toc d'entraînement
20. Manuel de l'opérateur
21. Clé hexagonale
22. Goupille d'arrêt
23. Clé mixte

## Symboles concernant le produit



**AVERTISSEMENT !** Soyez prudent et utilisez le produit correctement. Ce produit peut causer des blessures graves, voire mortelles, à l'opérateur ou à d'autres personnes.



Lisez le manuel d'utilisation et assurez-vous de bien comprendre les instructions avant d'utiliser ce produit.



Utilisez un casque de protection dans les endroits où des objets peuvent tomber sur vous. Utilisez des protège-oreilles agréés. Utilisez des protections pour les yeux homologuées.



Utilisez des gants de protection homologués.



Utilisez des bottes antidérapantes robustes.



Le produit peut entraîner la projection d'objets, ce qui peut causer des blessures.



Régime maximal de l'arbre de sortie.



Restez à une distance minimale de 15 m des personnes et des animaux pendant l'utilisation du produit.



Utilisez uniquement un fil de coupe flexible. N'utilisez pas d'équipement de coupe métallique pour le désherbage.



Les flèches indiquent la limite de la position de la poignée.



Poire de la pompe à carburant.



Starter.



Carburant.



Émissions sonores dans l'environnement conformes aux directives CE en vigueur. Les émissions sonores de ce produit sont spécifiées dans la section [xref] et sur l'étiquette.



Le produit est conforme aux directives CE en vigueur.

yyyywwxxxx

La plaque signalétique indique le numéro de série. **yyyy** est l'année de production, **ww** est la semaine de production.

**Remarque:** Les autres symboles/autocollants présents sur le produit concernent des exigences de certification spécifiques à certains marchés.

UE V



**AVERTISSEMENT:** toute altération du moteur a pour effet d'annuler l'homologation de type UE de ce produit.

## Responsabilité

Conformément à la loi sur la responsabilité du fait des produits, nous déclinons toute responsabilité pour tout dommage causé par notre produit si :

- le produit n'est pas correctement réparé ;
- le produit est réparé avec des pièces qui ne proviennent pas du fabricant ou qui ne sont pas homologuées par le fabricant ;

- le produit est équipé d'un accessoire qui ne provient pas du fabricant ou qui n'est pas homologué par le fabricant ;
- le produit n'est pas réparé par un centre d'entretien agréé ou par une autorité homologuée.

---

## Sécurité

---

### Définitions de sécurité

Des avertissements, des recommandations et des remarques sont utilisés pour souligner des parties spécialement importantes du manuel.



**AVERTISSEMENT:** Symbole utilisé en cas de risque de blessures ou de mort pour l'opérateur ou les personnes à proximité si les instructions du manuel ne sont pas respectées.



**REMARQUE:** Symbole utilisé en cas de risque de dommages pour le produit, d'autres matériaux ou les environs si les instructions du manuel ne sont pas respectées.

**Remarque:** Symbole utilisé pour donner des informations supplémentaires pour une situation donnée.

### Instructions générales de sécurité



**AVERTISSEMENT:** Lisez les instructions qui suivent avant d'utiliser le produit.

- Utilisés de manière négligente ou incorrecte, les scies d'éclaircissage, les débroussailleuses et les coupe-herbes peuvent devenir des outils dangereux pouvant occasionner des blessures très graves, voire mortelles à l'utilisateur ou à d'autres personnes présentes. Il est très important de lire attentivement et de bien comprendre les instructions contenues dans ce manuel d'utilisation.
- Ne modifiez jamais le produit sans l'autorisation du fabricant. N'utilisez jamais un produit qui a été modifié au point de ne plus être conforme au modèle original et utilisez toujours des accessoires d'origine. Des modifications non autorisées et l'emploi d'accessoires non homologués peuvent provoquer des accidents graves, voire mortels, à l'utilisateur ou d'autres personnes.

- L'intérieur du silencieux contient des produits chimiques pouvant être cancérigènes. Évitez tout contact avec ces éléments si le silencieux est endommagé.
- Ce produit génère un champ électromagnétique durant son fonctionnement. Ce champ peut dans certaines circonstances perturber le fonctionnement d'implants médicaux actifs ou passifs. Pour réduire le risque de blessures graves ou mortelles, les personnes portant des implants médicaux doivent consulter leur médecin et le fabricant de leur implant avant d'utiliser cet appareil.

### Consignes de sécurité pour le fonctionnement

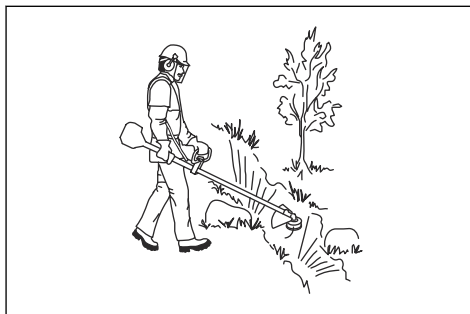


**AVERTISSEMENT:** Lisez les instructions qui suivent avant d'utiliser le produit.

- Avant l'utilisation, il est essentiel de comprendre la différence entre le débroussaillage et le désherbage avant l'utilisation.
- Dans l'éventualité d'une situation rendant la suite du travail incertaine, consultez un expert. Adressez-vous au revendeur ou à l'atelier de réparation. Évitez les tâches pour lesquelles vous ne vous sentez pas suffisamment qualifié.
- N'utilisez jamais un produit qui n'est pas en parfait état de marche. Appliquez les instructions de maintenance et d'entretien ainsi que les contrôles de sécurité indiqués dans ce manuel d'utilisation. Certaines opérations de maintenance et d'entretien doivent être réalisées par un spécialiste dûment formé et qualifié. Reportez-vous à la section *Entretien à la page 38*.
- Tous les capots, toutes les protections et toutes les poignées doivent avoir été montés avant de démarrer le produit. Vérifiez que le chapeau de bougie et le câble d'allumage ne sont pas endommagés afin d'éviter tout risque de choc électrique.
- N'utilisez jamais le produit si vous êtes fatigué, avez consommé de l'alcool ou pris des médicaments susceptibles d'affecter votre vue, votre jugement ou la maîtrise de votre corps.

- N'utilisez pas le produit par mauvais temps : brouillard épais, pluie diluvienne, vent violent, grand froid, etc. Travailler par mauvais temps est cause de fatigue et peut même être dangereux : sol glissant, direction de chute d'arbre modifiée, etc.
- Les seuls accessoires compatibles avec ce moteur sont les équipements de coupe que nous recommandons. Reportez-vous à la section *Accessoires à la page 45*.
- Ne laissez jamais des enfants utiliser le produit ou s'en approcher. Le produit est équipé d'un interrupteur marche/arrêt à détente et peut être démarré par une activation à faible vitesse et de faible puissance de la poignée du lanceur ; dans certaines circonstances, de jeunes enfants peuvent produire la force nécessaire au démarrage du produit. Ceci peut entraîner un risque de graves blessures corporelles. Retirez donc le chapeau de bougie lorsque le produit n'est pas sous surveillance.
- Faire tourner un moteur dans un local fermé ou mal aéré peut causer la mort par asphyxie ou empoisonnement au monoxyde de carbone.
- Un carter d'embrayage complet avec tube de transmission doit être monté avant de démarrer le produit, sinon l'embrayage risque de lâcher et de provoquer des blessures.
- Assurez-vous qu'aucune personne ou aucun animal ne se trouve à moins de 15 m de votre zone de travail. Lorsque plusieurs utilisateurs travaillent dans une même zone, il convient d'observer une distance de sécurité d'au moins 15 m. Dans le cas contraire, vous vous exposez à des risques de blessures graves. Arrêtez immédiatement le produit si une personne s'approche. Ne tournez jamais sur vous-même avec le produit sans vous assurer d'abord que personne ne se trouve dans la zone de sécurité.
- Assurez-vous qu'aucune personne, aucun animal ou autre objet ne peut faire obstacle à votre contrôle du produit ou qu'ils n'entrent pas en contact avec des accessoires de coupe ou des objets lancés par celui-ci. Cependant, n'utilisez pas le produit s'il n'est pas possible d'appeler au secours en cas d'accident.
- Inspectez toujours la zone de travail. Retirez tous les objets tels que les pierres, les morceaux de verre, les clous, les fils de fer, les bouts de ficelle, etc. pouvant être projetés ou risquant de s'enrouler autour de l'équipement de coupe.
- Assurez-vous de pouvoir vous tenir et vous déplacer en toute sécurité. Repérez les éventuels obstacles (racines, pierres, branches, fossés, etc.) en cas de déplacement soudain. Observez la plus grande

prudence lorsque vous travaillez sur des terrains en pente.



- Soyez bien en équilibre, les pieds d'aplomb, à tout moment. Ne vous éloignez pas trop.
- Tenez toujours le produit à deux mains. Tenez l'appareil du côté droit du corps.
- L'équipement de coupe doit se trouver sous la taille de l'utilisateur.
- Arrêtez le moteur lorsque vous vous déplacez dans une autre zone. Utilisez le dispositif de protection pour le transport lorsque vous transportez l'équipement sur une distance.
- Ne posez jamais le produit au sol lorsque le moteur est en marche, sauf si vous pouvez le surveiller.
- Arrêtez le moteur et l'équipement de coupe avant de retirer la matière végétale qui s'est enroulée autour de l'axe de lame. Ni l'utilisateur de la machine, ni qui que ce soit ne doit essayer de retirer la matière végétale coupée tant que le moteur ou l'équipement de coupe tourne, sous peine de blessures graves. Après utilisation, le renvoi d'angle peut être chaud pendant un moment. Risque de brûlures au contact.
- Attention aux objets projetés. Portez toujours des protège-yeux homologués. Ne vous penchez jamais au-dessus de la protection de l'équipement de coupe. Des cailloux, débris, etc. peuvent être projetés dans les yeux et causer des blessures très graves, voire la cécité.
- Il arrive que des branches ou de l'herbe se coincent entre la protection et l'équipement de coupe. Arrêtez toujours le moteur avant de nettoyer le produit.
- Ramenez le moteur au régime de ralenti après chaque étape de travail. Laissez le moteur tourner à pleins gaz sans lui faire subir de charge peut endommager sérieusement le moteur.
- Soyez toujours attentif aux signaux d'alerte ou aux appels lorsque vous portez des protège-oreilles. Enlevez toujours vos protège-oreilles dès que le moteur s'arrête.
- Une exposition excessive aux vibrations peut entraîner des troubles circulatoires ou nerveux chez les personnes sujettes à des troubles cardiovasculaires. Consultez un médecin en cas de symptômes liés à une exposition excessive aux vibrations. Ces symptômes peuvent être les

suivants : insensibilisation ou irritation locale, douleur, chatouillements, faiblesse musculaire, décoloration ou modification cutanée. Ces symptômes affectent généralement les doigts, les mains ou les poignets.

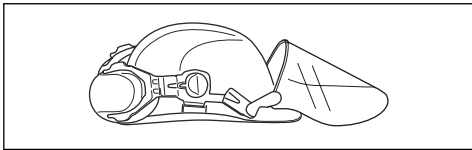
- N'utilisez jamais un produit dont le capuchon de bougie est endommagé.
- N'utilisez pas un produit un silencieux en mauvais état.
- N'approchez aucune partie du corps de l'équipement de coupe en rotation et des surfaces chaudes.
- N'utilisez jamais un produit avec un silencieux défectueux
- Ne démarrez et n'utilisez jamais le produit en intérieur, à proximité de matériaux inflammables ou dans des lieux mal ventilés. Les gaz d'échappement du moteur contiennent du monoxyde de carbone, un gaz inodore, toxique et très dangereux. De plus, les gaz d'échappement du moteur sont très chauds et peuvent contenir des étincelles pouvant provoquer un incendie.

## Équipement de protection individuelle

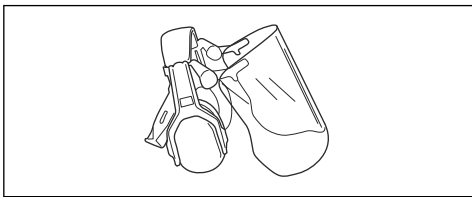


**AVERTISSEMENT:** Lisez les instructions qui suivent avant d'utiliser le produit.

- Portez toujours un équipement de protection individuel homologué lorsque vous utilisez le produit. L'équipement de protection individuel ne protège pas complètement des blessures, mais il diminue la gravité des blessures en cas d'accident. Faites appel à votre revendeur pour vous aider à sélectionner l'équipement adéquat.
- Portez un casque de protection lorsqu'il y a un risque de chute d'objets.

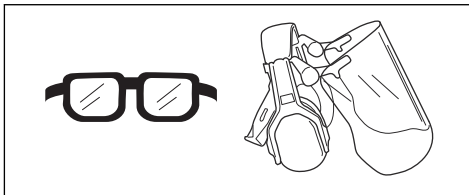


- Portez des protège-oreilles homologués ayant un effet atténuateur suffisant. Une exposition prolongée au bruit risque de causer des lésions auditives permanentes.

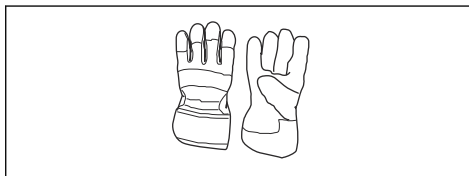


- Utilisez des protections pour les yeux homologuées. L'usage d'une visière doit toujours s'accompagner du port de lunettes de protection homologuées. Par

lunettes de protection homologuées, on entend celles qui sont en conformité avec les normes ANSI Z87.1 (États-Unis) ou EN 166 (pays de l'UE).



- Portez des gants de protection en cas de besoin, par exemple lorsque vous fixez, examinez ou nettoyez l'équipement de coupe.



- Portez des bottes de protection avec coques de protection en acier et des semelles antidérapantes.



- Portez des vêtements fabriqués dans un matériau résistant. Portez toujours des pantalons longs, épais et des manches longues. Ne portez pas de vêtements amples qui risqueraient de se prendre dans les brindilles et les branches. Ne portez pas de bijoux, de shorts, de sandales et ne marchez pas pieds nus. Attachez vos cheveux de façon sécurisée au-dessus de vos épaules.
- Gardez toujours une trousse de premiers soins à portée de main.



## Dispositifs de sécurité sur le produit



**AVERTISSEMENT:** Lisez les instructions qui suivent avant d'utiliser le produit.

Cette section présente les fonctions de sécurité, les instructions d'utilisation, de contrôle et d'entretien afin de garantir son bon fonctionnement. Consultez les instructions à la section *Aperçu du produit* à la page 24 pour savoir où se trouvent ces équipements sur votre produit.

La durée de vie du produit risque d'être écourtée et le risque d'accidents accru si la maintenance du produit n'est pas effectuée correctement et si les mesures d'entretien et/ou de réparation ne sont pas effectuées de manière professionnelle. Pour plus d'informations, contactez l'atelier de réparation du revendeur le plus proche.



**AVERTISSEMENT:** N'utilisez jamais une machine dont les équipements de sécurité sont défectueux. Contrôlez et entretenez les équipements de sécurité du produit conformément aux instructions données dans ce chapitre. Si les contrôles du produit ne donnent pas de résultat positif, contactez votre agent d'entretien pour le faire réparer.

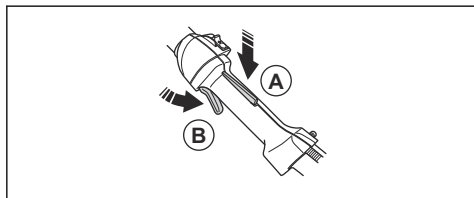


**REMARQUE:** L'entretien et la réparation de la machine exigent une formation spéciale. Ceci concerne particulièrement l'équipement de sécurité de la machine. Si les contrôles suivants ne donnent pas un résultat positif, adressez-vous à un atelier spécialisé. L'achat de l'un de nos produits offre à l'acheteur la garantie d'un service et de réparations qualifiés. Si le point de vente n'assure pas ce service, s'adresser à l'atelier spécialisé le plus proche.

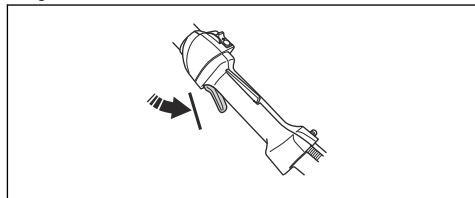
#### Pour contrôler le blocage de la gâchette d'accélération

Le blocage de l'accélération a pour but d'empêcher toute accélération involontaire.

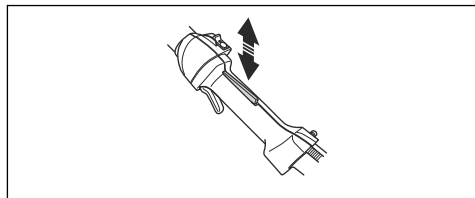
1. Appuyez sur le blocage de la gâchette d'accélération (A) et assurez-vous que la commande d'accélération soit relâchée (B). Lorsque vous relâchez la poignée, la commande d'accélération et le blocage de la gâchette d'accélération reviennent en position initiale. Ce retour s'effectue grâce à deux systèmes de ressorts de rappel indépendants l'un de l'autre. Cette position signifie que la commande d'accélération est alors automatiquement bloquée sur le ralenti.



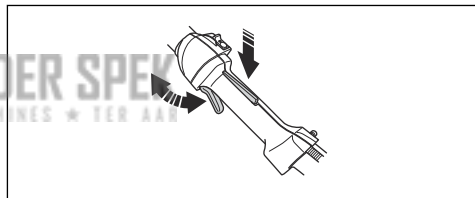
2. Vérifiez que la commande d'accélération est bloquée en position de ralenti lorsque le blocage de la gâchette d'accélération est relâché.



3. Abaissez le blocage de la gâchette d'accélération et vérifiez qu'il revient en position initiale quand il est relâché.

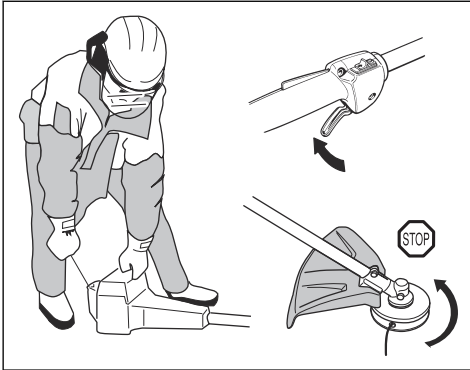


4. Contrôlez la commande d'accélération et le blocage de la gâchette d'accélération pour vérifier qu'elles se déplacent librement et que les ressorts du rappel fonctionnent correctement.



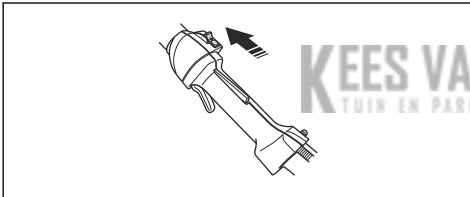
5. Démarrez le produit (reportez-vous aux instructions de la section *Pour démarrer le produit* à la page 37) et faites-le tourner à plein régime.

6. Relâchez l'accélérateur et assurez-vous que l'équipement de coupe s'arrête et qu'il reste immobile. Si l'équipement de coupe tourne lorsque l'accélérateur est au régime de ralenti, contrôler le réglage du ralenti du carburateur. Reportez-vous aux instructions du chapitre *Entretien à la page 38*.



#### Pour contrôler l'interrupteur d'arrêt

1. Démarrez le moteur.
2. Mettez l'interrupteur de marche/arrêt en position d'arrêt et vérifiez que le moteur s'arrête.



#### Pour contrôler la protection de l'équipement de coupe



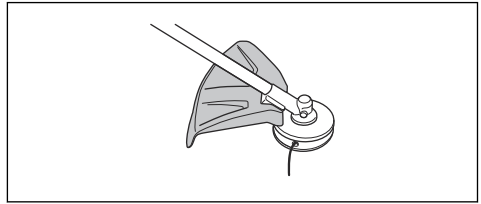
**AVERTISSEMENT:** N'utilisez pas un équipement de coupe sans une protection d'équipement de coupe correctement fixée et homologuée. Reportez-vous à la section *Accessoires à la page 45*.



**AVERTISSEMENT:** Utilisez toujours la protection d'équipement de coupe recommandée pour l'équipement de coupe que vous utilisez. La mise en place d'une protection d'équipement de coupe incorrecte ou défectueuse peut provoquer des blessures graves. Reportez-vous à la section *Caractéristiques techniques à la page 44*.

La protection de l'équipement de coupe permet d'éviter à l'opérateur d'être blessé par des projections d'objets.

Elle permet également d'éviter de se blesser si vous touchez l'équipement de coupe.



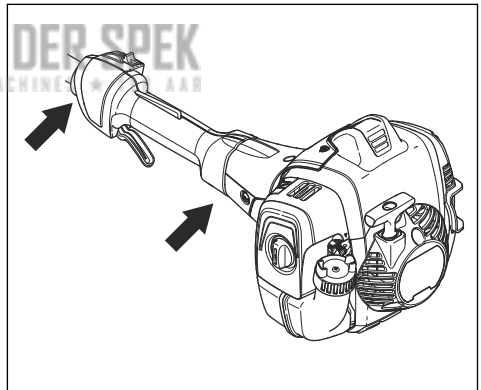
1. Réalisez un contrôle visuel pour détecter les dommages, par exemple des fissures.
2. Remplacez la protection de l'accessoire de coupe si celle-ci est endommagée.

#### Pour contrôler le système anti-vibrations



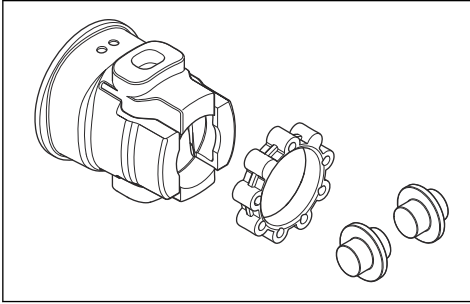
**AVERTISSEMENT:** L'utilisation d'un fil mal enroulé ou d'un équipement de coupe inadéquat augmente le niveau de vibration.

Le système anti-vibrations réduit au minimum les vibrations dans les poignées, ce qui facilite son utilisation. Le système anti-vibrations réduit les vibrations entre l'unité moteur et l'unité de l'arbre.

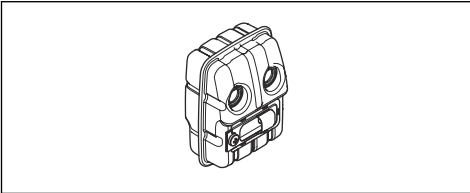


1. Arrêtez le moteur.
2. Contrôlez visuellement si une déformation ou un dommage tel qu'une fissure sont présents.

3. Assurez-vous que les dispositifs anti-vibrations sont correctement fixés.

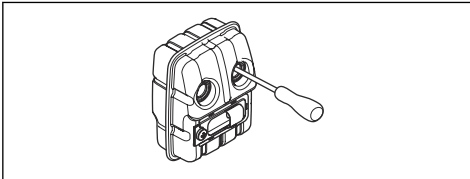


#### Pour contrôler le silencieux



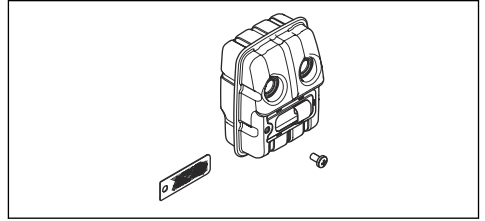
Le silencieux est conçu pour réduire au maximum le niveau sonore et rejeter les gaz d'échappement loin de l'utilisateur.

- Réalisez un contrôle visuel pour détecter les dommages et les déformations.
- Assurez-vous que le silencieux est correctement fixé à l'appareil.



- Si le silencieux de votre produit est doté d'un écran pare-étincelles, effectuez un contrôle visuel. Remplacez l'écran pare-étincelles s'il est endommagé.
  - a) Nettoyez l'écran pare-étincelles s'il est bloqué. Le blocage de l'écran pare-étincelles entraîne la surchauffe et la détérioration du moteur.

- b) Assurez-vous que la grille antiflamme est correctement fixée.



#### Sécurité carburant



**AVERTISSEMENT:** Lisez les instructions qui suivent avant d'utiliser le produit.

- Ne démarrez jamais le produit si vous avez renversé du carburant dessus. Essuyez soigneusement toute trace et laissez les restes de carburant s'évaporer.
- Ne démarrez jamais le produit si vous avez renversé sur vous ou sur vos vêtements. Changez de vêtements et lavez les parties du corps qui ont été en contact avec le carburant. Utilisez de l'eau et du savon.
- Ne démarrez jamais le produit si celui-ci présente une fuite de carburant. Vérifiez régulièrement que le bouchon du réservoir et les conduites de carburant ne fuient pas.
- Placez toujours le produit sur une surface plane et assurez-vous que l'équipement de coupe ne peut pas entrer en contact avec un objet pendant que vous ajoutez du carburant.
- Manipulez le carburant avec précaution. Pensez aux risques d'incendie, d'explosion et d'inhalation de vapeurs.
- Observez la plus grande prudence lors de la manipulation du carburant et veillez à disposer d'une bonne aération. Le carburant et les vapeurs de carburant sont très inflammables et peuvent causer des blessures graves en cas d'inhalation ou de contact avec la peau.
- Mélangez et versez le carburant à l'extérieur, en l'absence d'étincelles ou de flammes.
- Ne placez jamais d'objet chaud et ne fumez jamais à proximité du carburant.
- Arrêtez toujours le moteur et laissez-le refroidir pendant quelques minutes avant de faire le plein.
- Ouvrez le bouchon du réservoir de façon à libérer doucement l'excès de pression lorsque vous faites le plein.
- Serrez le bouchon du réservoir avec précaution après le remplissage.
- Essuyez le pourtour des bouchons des réservoirs. Les impuretés dans le réservoir causent des troubles de fonctionnement.

- Positionnez toujours le produit à au moins 3 m (10 ft) de la zone et de la source du plein en carburant avant de le mettre en marche.

### Consignes de sécurité pour l'entretien



**AVERTISSEMENT:** Arrêtez toujours le moteur avant toute intervention sur l'accessoire de coupe. L'accessoire de coupe continue de tourner une fois l'accélérateur relâché. Assurez-vous que l'accessoire de coupe est complètement immobilisé et débranchez la bougie avant de commencer l'intervention sur l'accessoire de coupe.



**AVERTISSEMENT:** Un équipement de coupe inadéquat peut augmenter les risques d'accidents.



**AVERTISSEMENT:** Veillez à ce que le fil du coupe-herbe soit enroulé de manière serrée et régulière autour du tambour, sous peine de provoquer des vibrations du produit, dangereuses pour la santé.

- N'utilisez l'équipement de coupe qu'avec la protection recommandée. Reportez-vous à la section *Accessoires à la page 45*.

## Montage

### Introduction



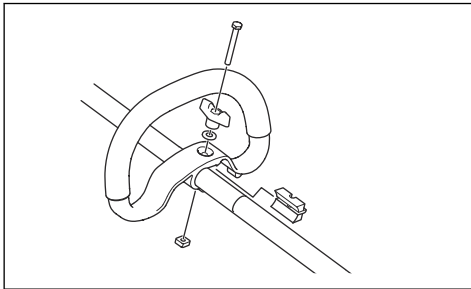
**AVERTISSEMENT:** Avant de monter le produit, vous devez lire et comprendre le chapitre sur la sécurité.



**AVERTISSEMENT:** Débranchez le câble d'allumage de la bougie avant de monter le produit.

### Montage de la poignée en anneau

1. Placez la poignée en anneau sur l'arbre entre les flèches.

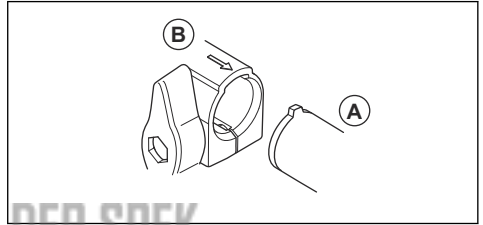


2. Placez l'entretoise dans la rainure de la poignée en anneau.
3. Installez l'écrou, le bouton de réglage et la vis. Ne serrez pas complètement.
4. Ajustez le produit dans une position d'utilisation confortable.
5. Serrer la manette.

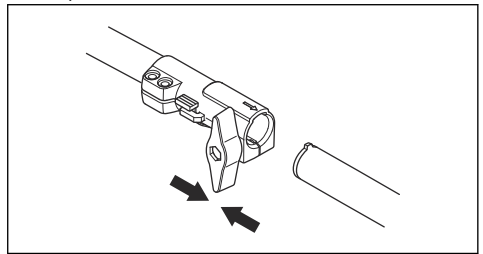
### Pour monter l'arbre démontable

1. Tournez le bouton pour desserrer le raccord.

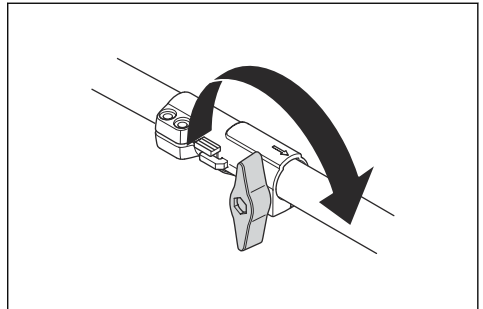
2. Alignez la languette de l'accessoire de coupe (A) sur la flèche du raccord (B).



3. Poussez prudemment l'arbre dans le raccord jusqu'à ce que vous entendiez un déclic.

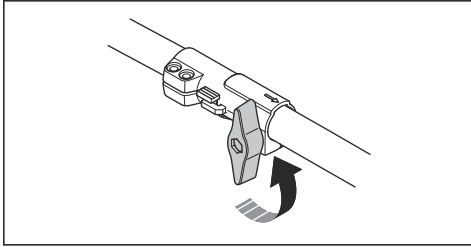


4. Serrez complètement le bouton.

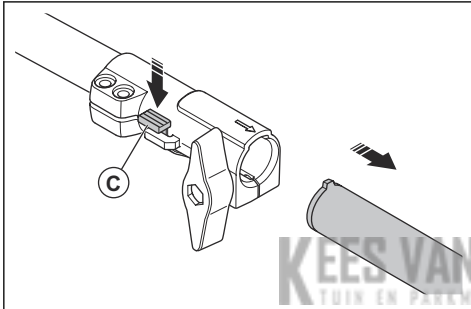


## Démontage de l'arbre démontable

1. Tournez le bouton sur 3 tours pour desserrer le raccord.

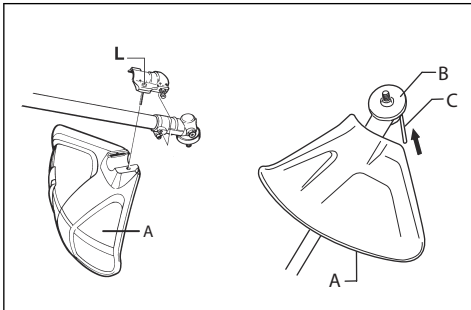


2. Appuyez sur le bouton (C) et maintenez-le enfoncé.
3. Tenez fermement l'extrémité de l'arbre auquel le moteur est fixé.
4. Tirez l'accessoire bien droit pour le sortir du raccord.



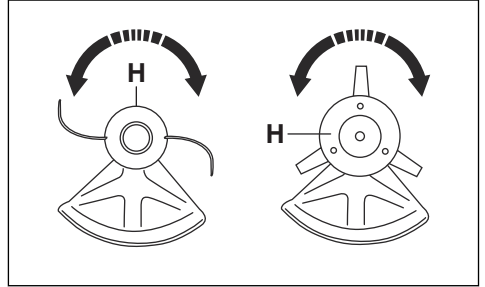
## Montage de la protection de l'accessoire de coupe et de la tête de désherbage

1. Fixez la bonne protection de l'accessoire de coupe (A) pour la tête de désherbage. Reportez-vous à la section *Accessoires à la page 45*.
2. Placez la protection de l'équipement de coupe sur le raccord de l'arbre.
3. Fixez avec la vis (L).



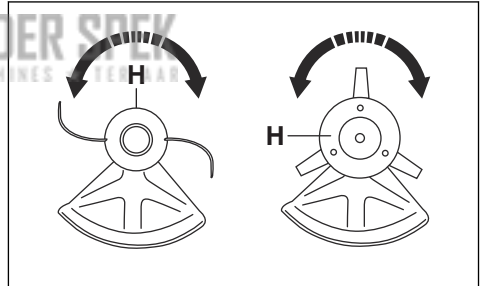
4. Posez le toc d'entraînement (B) sur l'arbre de sortie.

5. Faites tourner l'arbre de sortie jusqu'à ce que l'un des trous du toc d'entraînement coïncide avec le trou correspondant du carter.
6. Placez la goupille d'arrêt (C) dans le trou afin de bloquer l'arbre.
7. Tournez la tête de désherbage/les couteaux en plastique (H) dans le sens opposé de rotation de la tête de désherbage/des couteaux en plastique.



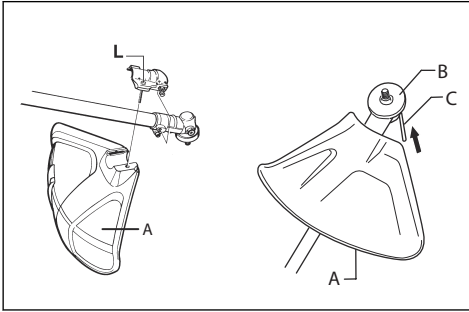
## Démontage de la protection de l'accessoire de coupe et de la tête de désherbage

1. Tournez la tête de désherbage/les couteaux en plastique (H) dans le sens de rotation de la tête de désherbage/des couteaux en plastique.



2. Sortez la goupille d'arrêt (C) du trou afin de débloquer l'axe.
3. Déposez le disque d'entraînement (B) de l'arbre de sortie.

4. Desserrezz la vis (L) de la protection de l'accessoire de coupe/fixation du tube de transmission.



5. Déposez la protection de l'accessoire de coupe (A).

## Utilisation

### Carburant

Ce produit est équipé d'un moteur à deux temps.



**REMARQUE:** L'utilisation d'un type de carburant inadéquat peut endommager le moteur. Utilisez un mélange d'essence et d'huile deux temps.

### Essence

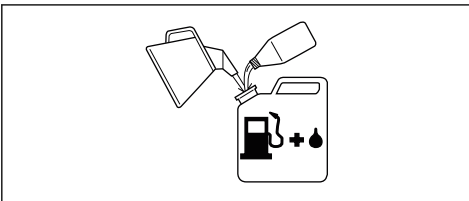


**REMARQUE:** Utilisez toujours un mélange essence/huile de qualité d'au moins 90 octanes (RON). L'utilisation d'un indice inférieur peut entraîner des cognements. Cela entraîne une augmentation de la température du moteur pouvant causer de graves dégâts sur le moteur.



**REMARQUE:** Si votre produit est équipé d'un pot catalytique, utilisez un mélange essence/huile de bonne qualité sans plomb. Une essence au plomb détruirait le pot catalytique.

- Utilisez de l'essence écologique (alkylat) si vous pouvez vous en procurer.



- Possibilité d'utiliser du carburant mélangé à base d'éthanol, E10 (la teneur en éthanol ne doit pas

dépasser 10 %). L'utilisation de carburants mélangés contenant plus d'éthanol que d'E10 perturbe le fonctionnement de la machine et risque d'endommager le moteur.

- Nous vous recommandons un carburant d'un indice d'octane supérieur lorsque vous travaillez constamment à un régime élevé.

### Essence alkylat Husqvarna

Nous vous recommandons d'utiliser du carburant alkylat Husqvarna pour des performances optimales. Ce type de carburant contient des substances moins dangereuses que le carburant normal, ce qui réduit le risque de gaz d'échappement dangereux. Lorsqu'il est brûlé, ce carburant génère une faible quantité de résidus dangereux, ce qui permet aux composants du moteur de rester plus propres, prolongeant ainsi la durée de vie du moteur. Le carburant alkylat Husqvarna n'est pas disponible dans tous les marchés.

### Huile deux temps



**REMARQUE:** Une huile de qualité médiocre et/ou un mélange huile/carburant incorrect risquent d'endommager le produit et de réduire la durée de vie des pots catalytiques.



**REMARQUE:** N'utilisez pas d'huile deux temps pour les moteurs hors-bord refroidis par eau (huile outboard).



**REMARQUE:** N'utilisez pas d'huile pour moteurs à quatre temps.

- Pour un résultat et un fonctionnement optimaux, utilisez de l'huile deux temps Husqvarna.

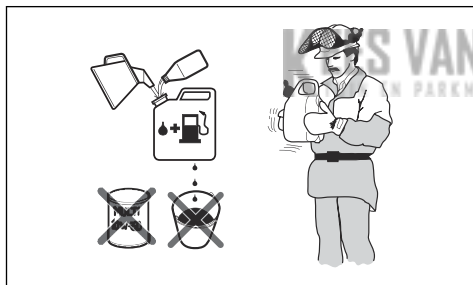
- Si l'huile deux temps Husqvarna n'est pas disponible, utilisez une autre huile deux temps de haute qualité pour moteurs refroidis à l'air. Contactez votre atelier d'entretien pour sélectionner l'huile appropriée.

Essence, L	Huile deux temps, L
	<b>2 % (50:1)</b>
5	0,10
10	0,20
15	0,30
20	0,40

## Pour mélanger l'essence et l'huile deux temps



**REMARQUE:** Lorsque vous mélangez de faibles quantités de carburant, il y a un risque que de petites erreurs influent considérablement le rapport de mélange. Mesurez soigneusement la quantité d'huile à mélanger pour vous assurer que vous obtenez le mélange correct.

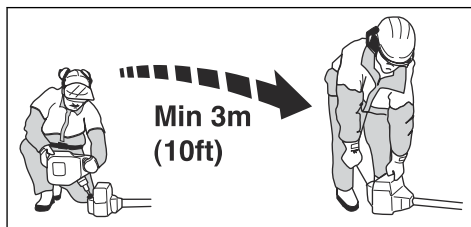


1. Versez la moitié de l'essence à mélanger.
2. Ajoutez la quantité totale d'huile et mélangez en secouant le récipient.
3. Versez le reste de l'essence.
4. Mélangez avec précaution en secouant le mélange de carburant et remplissez le réservoir de carburant du produit.
5. Videz et nettoyez le réservoir de carburant si vous n'utilisez pas le produit pendant un certain temps.

**Remarque:** Ne préparez pas de mélange de carburant pour plus d'un mois à la fois, et effectuez toujours le mélange essence/huile dans un récipient propre destiné à contenir de l'essence.

## Pour remplir le réservoir de carburant

1. Essuyez le pourtour du bouchon du réservoir de carburant.
2. Secouez le conteneur et assurez-vous que le carburant est complètement mélangé. Utilisez un bidon de carburant comportant un dispositif d'arrêt de remplissage automatique.
3. Remplissez le réservoir de carburant.
4. Serrez soigneusement le bouchon du réservoir de carburant.
5. Positionnez le produit à au moins 3 m (10 pi) de la zone et de la source de remplissage avant de le mettre en marche.

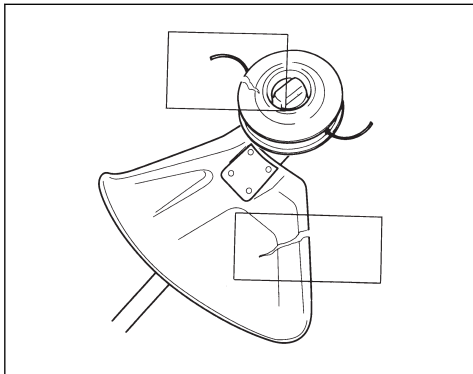


**REMARQUE:** Des impuretés dans les réservoirs sont causes de mauvais fonctionnement. Nettoyez le réservoir de carburant et le réservoir d'huile de chaîne régulièrement et remplacez le filtre à carburant une fois par an ou plus.

## Avant d'utiliser le produit

- Examinez la zone de travail pour vous assurer que vous connaissez la nature du terrain. Examinez l'inclinaison du sol et vérifiez s'il y a des obstacles tels que des pierres, des branches et des fossés.
- Effectuez une inspection générale du produit.
- Effectuez les inspections de sécurité, de maintenance et d'entretien indiquées dans ce manuel.
- Assurez-vous que tous les capots, la protection et la tête de désherbage sont correctement fixés et qu'ils

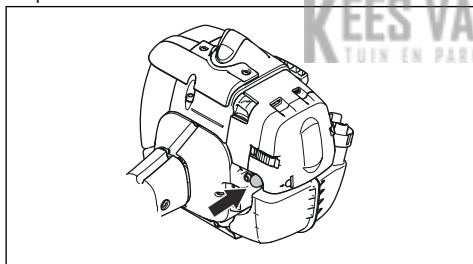
ne sont pas endommagés ou fissurés. Remplacez-les s'ils présentent des impacts ou des fissures.



**AVERTISSEMENT:** N'utilisez pas ce produit sans protection ou si la protection est défectueuse.

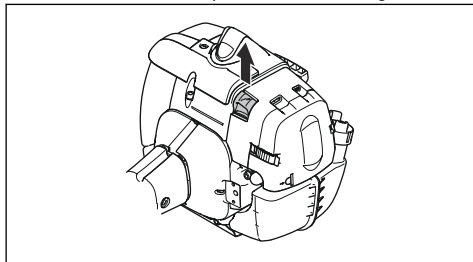
## Préparation du produit pour le démarrage

1. Appuyez sur la pompe à carburant plusieurs fois jusqu'à ce que le carburant commence à remplir la poire.



**Remarque:** Il n'est pas nécessaire de remplir entièrement la poire.

2. Relevez le starter en position de démarrage.

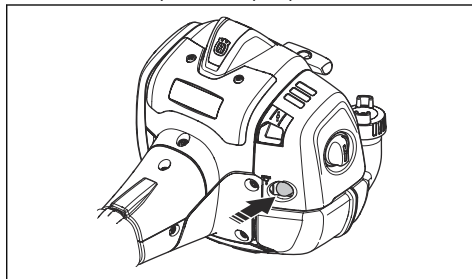


## AVERTISSEMENT:

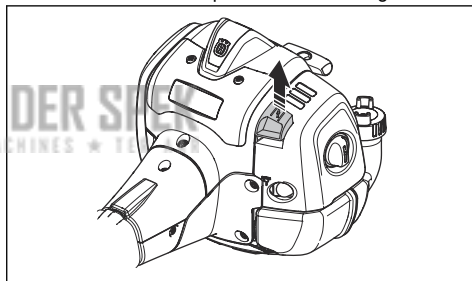
L'accessoire de coupe commence à tourner dès que vous démarrez le moteur avec le starter.

## Pour préparer un moteur froid au démarrage

1. Appuyez sur la poire de la pompe à carburant plusieurs fois jusqu'à ce que le carburant commence à remplir la poire. Il n'est pas nécessaire de remplir entièrement la poire de la pompe à carburant.



2. Relevez le starter en position de démarrage.

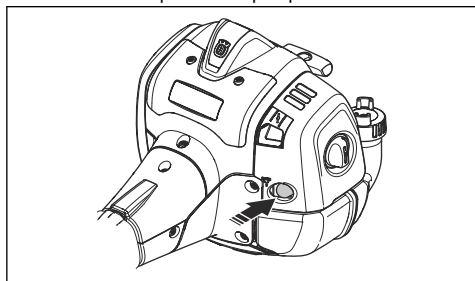


## AVERTISSEMENT:

L'accessoire de coupe commence à tourner dès que vous démarrez le moteur avec le starter.

## Pour préparer un moteur chaud au démarrage

1. Appuyez sur la poire de la pompe à carburant plusieurs fois jusqu'à ce que le carburant commence à remplir la poire. Il n'est pas nécessaire de remplir entièrement la poire de la pompe à carburant.



2. Tirez la poignée du câble du démarreur jusqu'à ce que le moteur démarre. Appuyez sur la gâchette d'accélération pour augmenter progressivement la vitesse.



**REMARQUE:** Ne tirez pas complètement sur le câble du démarreur. Ne lâchez pas la poignée du câble du démarreur lorsqu'il est complètement déployé. Cela peut endommager le produit.

## Pour démarrer le produit



**AVERTISSEMENT:** Lisez les instructions de sécurité fournies dans le chapitre sur la sécurité avant de démarrer le produit (reportez-vous à la section *Sécurité à la page 26*).

1. Utilisez des gants de protection.
2. Plaquez l'appareil contre le sol à l'aide de votre main gauche.



**REMARQUE:** N'utilisez pas vos pieds !

3. Saisissez la poignée du câble du démarreur.
4. Tirez lentement sur le câble avec votre main droite jusqu'à ce qu'une résistance se fasse sentir (les cliquets d'entraînement s'enclenchent).



**AVERTISSEMENT:** N'enroulez pas le câble du démarreur autour de votre main.

5. Tirez fortement et rapidement sur le câble.

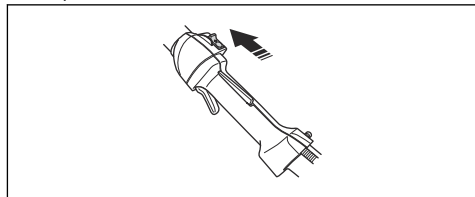


**REMARQUE:** Ne sortez pas complètement le câble du démarreur et ne lâchez pas la poignée du câble du démarreur lorsque le câble est complètement sorti. Cela peut endommager le produit.

6. Tirez sur le câble du démarreur plusieurs fois jusqu'à ce que le moteur démarre.
7. Réinitialisez le démarrage lorsque le moteur se met en marche.
8. Faites fonctionner la commande d'accélération petit à petit lorsque le moteur démarre.
9. Assurez-vous que le moteur tourne sans à-coups.

## Pour arrêter le produit

1. Pour arrêter le moteur, déplacez l'interrupteur d'arrêt en position d'arrêt.

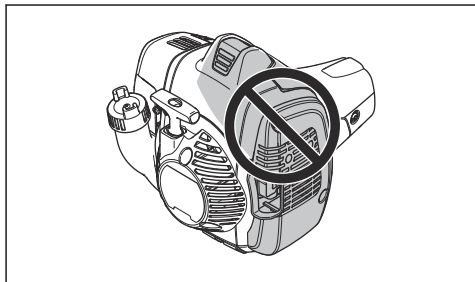


**REMARQUE:** Le bouton d'arrêt revient automatiquement à sa position initiale. Retirez toujours le capuchon de la bougie d'allumage lors du montage, contrôle et/ou entretien, afin d'éviter tout démarrage accidentel.

## À propos de la surface



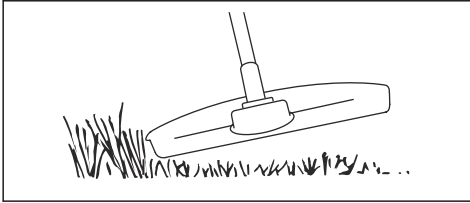
**AVERTISSEMENT:** Ne touchez pas la zone en gris sur l'illustration. Il existe un risque de brûlure lorsque le produit est chaud. Il existe un risque de choc électrique si le chapeau de bougie est endommagé. N'utilisez jamais un produit dont le chapeau de bougie est endommagé.



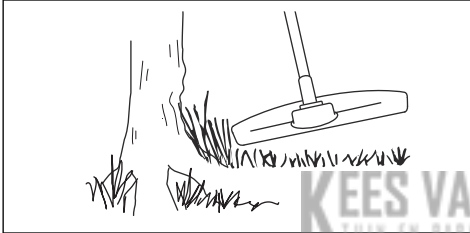
## Désherbage avec tête de désherbage

### Pour tondre l'herbe

1. Maintenez la tête de désherbage juste au-dessus du sol et inclinez-la. Ne poussez pas le fil de coupe dans l'herbe.

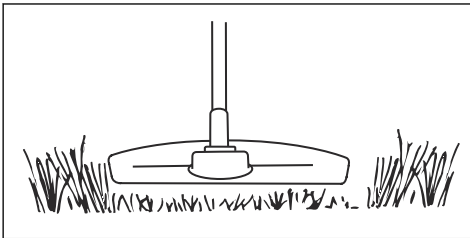


2. Réduisez la longueur du fil de coupe de 10-12 cm (4-4,75 po).
3. Diminuez la vitesse du moteur afin de limiter le risque d'endommager les plantes.
4. Baissez le régime à 80 % lorsque vous coupez l'herbe à proximité d'objets.

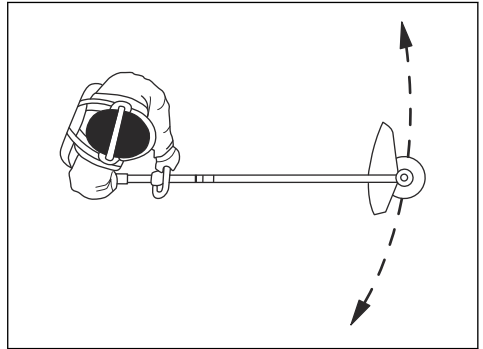


### Pour couper l'herbe

1. Assurez-vous que le fil de coupe est parallèle au sol lorsque vous coupez l'herbe.



2. N'appuyez pas la tête de désherbage sur le sol. Cela peut endommager le produit.
3. Déplacez le produit de gauche à droite pour couper l'herbe. Utilisez le produit à plein régime.



### Pour balayer l'herbe

Le débit d'air du fil de coupe en rotation peut être utilisé pour éliminer l'herbe coupée d'une zone.

1. Maintenez la tête de désherbage et le fil de coupe parallèles au sol et au-dessus du sol.
2. Donner les pleins gaz.
3. Déplacez la tête de désherbage d'un côté à l'autre et balayez l'herbe.



**AVERTISSEMENT:** Nettoyez le capot de la tête de désherbage chaque fois que vous remettez un fil de coupe neuf pour éviter tout déséquilibre et des vibrations dans les poignées. Vérifiez également les autres pièces de la tête de désherbage et nettoyez au besoin.

## Entretien

### Calendrier d'entretien



**AVERTISSEMENT:** Effectuez uniquement les travaux de maintenance et d'entretien décrits dans ce manuel de

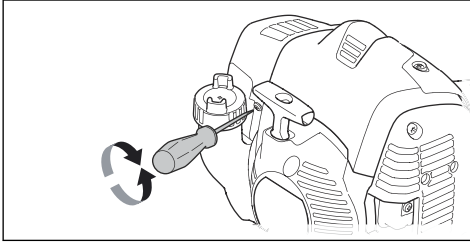
l'opérateur. Pour des travaux de maintenance et d'entretien qui ne sont pas décrits dans ce manuel de l'opérateur, contactez votre atelier d'entretien.

Entretien	Au quotidien	Toutes les semaines	Une fois par mois
Nettoyez la surface externe.	X		
Assurez-vous que le blocage de la gâchette d'accélération et la gâchette d'accélération fonctionnent correctement.	X		
Contrôlez l'interrupteur d'arrêt pour vérifier qu'il fonctionne correctement.	X		
Assurez-vous que l'équipement de coupe ne tourne pas lorsque le moteur tourne au ralenti.	X		
Nettoyez le filtre à air. Remplacez le filtre à air si nécessaire.	X		
Vérifiez si la protection de l'équipement de coupe présente des dommages ou des fissures. Remplacez la protection si elle a été heurtée ou si elle est endommagée.	X		
Inspectez la tête de désherbage afin de repérer d'éventuels dommages ou fissures. Remplacez la tête de désherbage si elle est endommagée.	X		
Assurez-vous que les vis et les écrous sont serrés.	X		
Vérifiez si le moteur, le réservoir de carburant et les conduites de carburant présentent des fuites.	X		
Nettoyez le système de refroidissement.		X	
Vérifiez si le démarreur et le câble de démarreur sont endommagés.		X	
Vérifiez si les éléments anti-vibrations présentent des dommages ou des fissures.		X	
Nettoyez les pièces externes de la bougie. Déposez la bougie et vérifiez l'écart entre les électrodes. Réglez l'écartement des électrodes sur la distance correcte, reportez-vous à la section <i>Caractéristiques techniques à la page 44</i> ou remplacez la bougie. Assurez-vous que la bougie est dotée d'un antiparasite.		X	
Nettoyez les pièces externes du carburateur et la zone autour de celui-ci.		X	
Contrôlez le renvoi d'angle pour vous assurer qu'il est bien rempli aux $\frac{3}{4}$ avec de la graisse. Remplissez le renvoi d'angle avec de la graisse spéciale Husqvarna si nécessaire.		X	
Nettoyer ou remplacer la grille antiflamme du silencieux (valable uniquement pour les silencieux sans pot catalytique).		X	X
Vérifiez que le filtre à carburant n'est pas contaminé ou que le tuyau à carburant ne comporte pas d'autres défauts. Remplacez les pièces si nécessaire.			X
Contrôlez tous les câbles et toutes les connexions.			X
S'il est nécessaire de remplacer l'embrayage, les ressorts d'embrayage ou le tambour d'embrayage, contactez votre atelier d'entretien.			X
Remplacez la bougie. Assurez-vous que la bougie est dotée d'un antiparasite.			X

## Pour régler le régime de ralenti

1. Assurez-vous que le filtre à air est propre et que le couvercle de filtre à air est installé.

- Réglez le régime de ralenti à l'aide de la vis de réglage du ralenti. La vis de réglage de ralenti T est identifiée par le repère « T ».



- Tournez la vis de réglage T dans le sens des aiguilles d'une montre jusqu'à ce que l'équipement de coupe commence à tourner.
- Tournez la vis de réglage T dans le sens contraire des aiguilles d'une montre jusqu'à l'arrêt de l'équipement de coupe.

Le régime de ralenti est correct lorsque le moteur fonctionne sans à-coups dans toutes les positions. Le régime de ralenti doit être inférieur à la vitesse lorsque l'équipement de coupe commence à tourner.



**AVERTISSEMENT:** Si l'accessoire de coupe ne s'arrête pas lorsque vous réglez le régime de ralenti, veuillez contacter l'atelier d'entretien le plus proche. N'utilisez pas le produit tant qu'il n'est pas réglé ou réparé correctement.

**Remarque:** Reportez-vous à la section *Caractéristiques techniques* à la page 44 pour connaître le régime de ralenti recommandé.

## Entretien de la tête de désherbage

- Utilisez uniquement l'accessoire de coupe recommandé et la protection de l'accessoire de coupe. Reportez-vous à la section *Accessoires* à la page 45.
- Assurez-vous que le couteau monté sur la protection de l'accessoire de coupe n'est pas endommagé et qu'il coupe le fil à la bonne longueur.
- Installez le fil conformément aux illustrations des dernières pages du manuel.

## Système de refroidissement

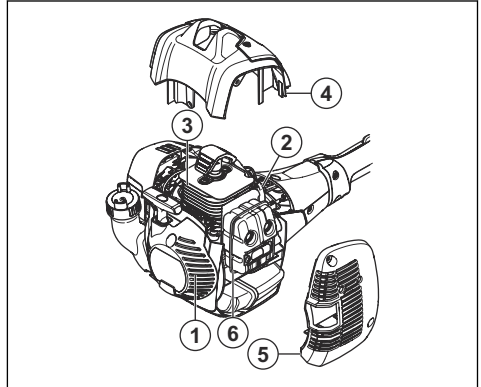
Le produit est équipé d'un système de refroidissement permettant de maintenir une température de travail aussi basse que possible.

Nettoyez les composants du système de refroidissement avec une brosse une fois par semaine ou plus fréquemment dans des conditions difficiles. Un système de refroidissement sale ou colmaté provoque la

surchauffe du produit, ce qui entraîne une détérioration du piston et du cylindre.

Le système de refroidissement est composé des éléments suivants :

- La prise d'air dans le lanceur.
- Les ailettes de ventilation sur le volant.
- Les ailettes de refroidissement sur le cylindre.
- Capot de cylindre.
- Capot de silencieux.
- Plaque du silencieux.



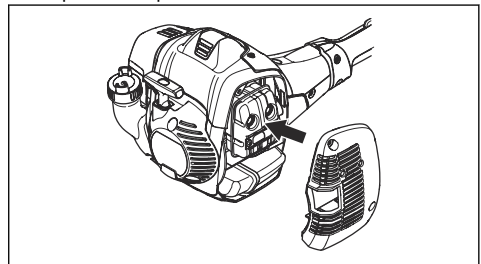
## Entretien du silencieux

Le silencieux atténue le niveau sonore et éloigne les gaz d'échappement de l'opérateur.

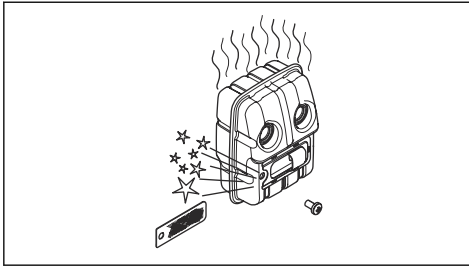


**AVERTISSEMENT:** les silencieux équipés de pots catalytiques deviennent très chauds lors du fonctionnement du produit et restent chauds pendant un certain temps après avoir arrêté le produit. Ceci est également vrai pour le régime au ralenti. Tout contact avec le produit peut provoquer des brûlures de la peau. Pensez au risque d'incendie.

- Arrêtez le produit et laissez-le refroidir.
- Déposez le capot du silencieux.



3. Retirez la vis qui maintient la grille antiflamme.



4. Nettoyez la grille antiflamme si elle est bloquée ou remplacez-la si elle est endommagée.



**REMARQUE:** Remplacez la grille antiflamme si elle est endommagée. N'utilisez pas le produit si la grille antiflamme sur le silencieux est manquante ou défectueuse.



**REMARQUE:** Si la grille antiflamme est souvent bloquée, ceci peut être le signe que les performances de votre pot catalytique commencent à décliner. Faites contrôler le silencieux par votre atelier d'entretien. Une grille antiflamme bloquée provoque une surchauffe et la détérioration du cylindre et du piston.

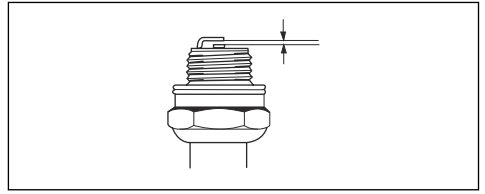
### Pour vérifier la bougie



**REMARQUE:** Utilisez toujours le type de bougie recommandé. Un type de bougie inadéquat peut endommager le produit.

- Inspectez la bougie si le moteur manque de puissance, n'est pas facile à démarrer ou ne fonctionne pas correctement lorsqu'il tourne au régime de ralenti.
- Afin de réduire le risque de matériaux indésirables présents sur les électrodes de la bougie, procédez comme suit :
  - a) Assurez-vous que le régime de ralenti est correctement réglé.
  - b) Assurez-vous que le mélange de carburant est correct.
  - c) Assurez-vous que le filtre à air est propre.

- Si la bougie est encrassée, nettoyez-la et vérifiez que l'écartement des électrodes est correct ; reportez-vous à la section *Caractéristiques techniques à la page 44.*



- Remplacez la bougie si nécessaire.

### Filtre à air

Éliminez la poussière et la saleté du filtre à air pour le maintenir propre afin d'éviter :

- Un mauvais fonctionnement du carburateur
- Des problèmes de démarrage
- Une perte de puissance
- Une usure prématurée des éléments du moteur.
- Une trop grande consommation de carburant.

Nettoyez le filtre à air toutes les 25 heures, ou plus souvent si les conditions sont particulièrement poussiéreuses.

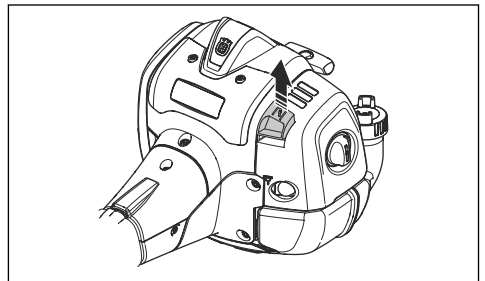
### Pour nettoyer le filtre à air



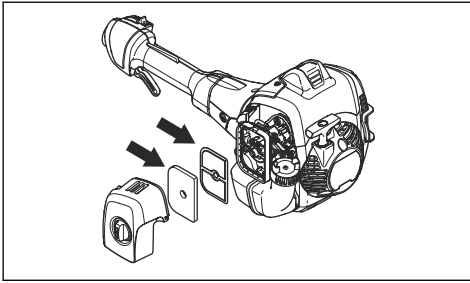
**REMARQUE:** veuillez remplacer systématiquement le filtre à air s'il est endommagé, très sale ou imbibé de carburant.

Si vous utilisez un filtre à air pendant une longue période, il est impossible de le nettoyer complètement. Remplacez régulièrement le filtre à air par un filtre neuf.

1. Relevez le levier du starter pour fermer la soupape du starter.



2. Retirez le couvercle du filtre à air et le filtre à air.

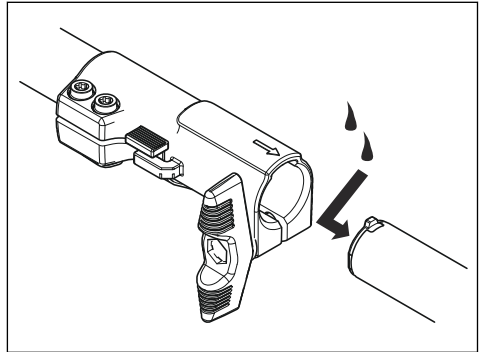


3. Nettoyez le filtre à air avec de l'eau chaude savonneuse.
4. Remplacez le filtre à air s'il est trop sale pour le nettoyer complètement. Remplacez toujours un filtre à air endommagé.
5. Nettoyez également la surface interne du capot du filtre. Utilisez un appareil à air comprimé ou une brosse.
6. Contrôlez la surface d'étanchéité en caoutchouc. Remplacez le filtre du joint en caoutchouc s'il est endommagé.
7. Assurez-vous que le filtre est sec avant de l'installer.

Il n'est pas nécessaire de remplacer la graisse du renvoi d'angle, sauf en cas de réparations.

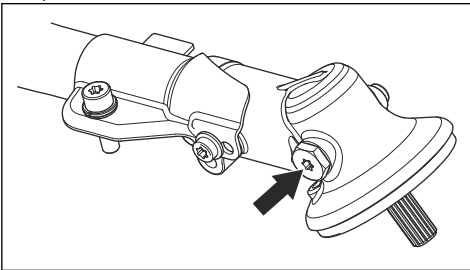
### Tube de transmission démontable

Appliquez de la graisse sur l'extrémité de l'arbre d'entraînement après toutes les 30 heures de fonctionnement. À défaut de graissage régulier, les extrémités de l'arbre d'entraînement sur les modèles démontables (raccords cannelés) risqueraient de gripper.



### Renvoi d'angle

Le renvoi d'angle est enduit en usine de la quantité de graisse nécessaire. Avant d'utiliser le produit, assurez-vous toutefois que le renvoi d'angle est rempli au 3/4 avec de la graisse. Utilisez de la graisse spéciale Husqvarna.



## Dépannage

### Le moteur ne démarre pas

Contrôle	Cause possible	Procédure
Interrupteur d'arrêt.	L'interrupteur d'arrêt est en position d'arrêt.	Mettez l'interrupteur d'arrêt en position de démarrage.

Contrôle	Cause possible	Procédure
Cliquets du démarreur.	Les cliquets du démarreur ne peuvent pas se déplacer librement.	Retirez le cache du démarreur et nettoyez autour des cliquets du démarreur.
		Contactez un agent d'entretien agréé pour vous aider.
Réservoir d'essence.	Mauvais type de carburant.	Vidangez le réservoir de carburant et remplissez-le avec le carburant qui convient.
Bougie.	La bougie d'allumage est sale ou humide.	Assurez-vous que la bougie est sèche et propre.
	L'écartement des électrodes de la bougie est incorrect.	Nettoyez la bougie. Vérifiez que l'écartement des électrodes est correct. Assurez-vous que la bougie est dotée d'un surpresseur.
	La bougie d'allumage est desserrée.	Serrez la bougie d'allumage.

## Le moteur démarre, puis s'arrête à nouveau

Contrôle	Cause possible	Procédure
Réservoir d'essence.	Mauvais type de carburant.	Videz le réservoir de carburant et remplissez-le avec le carburant qui convient.
Filtre à air.	Le filtre à air est bouché.	Nettoyez le filtre à air.

## Transport et stockage

### Transport et stockage

- Transportez et rangez le produit et le carburant de façon à éviter que toute fuite ou émanation éventuelle entre en contact avec une flamme vive ou une étincelle : machine électrique, moteur électrique, contact/interrupteur électrique ou chaudière.
- Lors du stockage et du transport de carburant, utilisez toujours un récipient homologué et conçu à cet effet.
- Lors du remisage du produit, videz le réservoir de carburant. Informez-vous auprès d'une station-service pour savoir comment se débarrasser du carburant résiduel. Vidangez le réservoir dans des récipients adéquats et dans un endroit bien aéré.
- Avant de remiser le produit pour une période prolongée, veillez à ce qu'il soit bien nettoyé et que toutes les opérations d'entretien aient été effectuées.
- Lors du stockage et du transport du produit, mettez toujours la protection de transport sur l'accessoire de coupe.
- Sécurisez le produit pendant le transport.
- Afin d'éviter tout démarrage accidentel du moteur, retirez toujours le capuchon de la bougie d'allumage lors du remisage prolongé, si le produit n'est pas sous surveillance et lors de toute opération d'entretien.
- Laissez le produit refroidir avant de le remiser.

## Caractéristiques techniques

### Caractéristiques techniques

	<b>525LK</b>
<b>Moteur</b>	
Cylindrée, cm <sup>3</sup>	25,4
Régime de ralenti, tr/min	3 000
Régime d'emballement maximal recommandé, tr/min	9 500
Régime de l'arbre de sortie, tr/min	6 500
Puissance moteur max. selon ISO 8893, kW/ch/tr/min	1,5 / @ 8 500
Silencieux avec pot catalytique	Oui
<b>Système d'allumage</b>	
Bougie	NGK BPMR8Y
Écartement des électrodes, mm	0,65
<b>Système de graissage/de carburant</b>	
Fabricant/type de carburateur	Walbro WTEA-8C
Capacité du réservoir de carburant, litres	0,51
<b>Poids</b>	
Sans carburant, protection et équipement de coupe, kg	4,7
<b>Émissions sonores <sup>3</sup></b>	
Niveau de puissance sonore, mesuré dB(A)	104
Niveau de puissance acoustique, garanti L <sub>WA</sub> dB(A)	106
<b>Niveaux sonores <sup>4</sup></b>	
Pression acoustique équivalente au niveau des oreilles de l'utilisateur, mesurée selon EN/ISO 11806 et ISO 7917, dB(A), min./max. :	
Équipée d'une tête de désherbage (d'origine)	99
<b>Niveaux de vibrations</b>	
Niveaux de vibrations équivalents (a <sub>h<sub>v,eq</sub></sub> ) mesurés au niveau des poignées selon EN ISO 11806 et ISO 22867, en m/s <sup>2</sup> :	
Équipée d'une tête de désherbage (d'origine), gauche/droite	3,0/3,3

<sup>3</sup> Émissions sonores dans l'environnement mesurées comme puissance sonore (L<sub>WA</sub>) selon la directive européenne CE 2000/14/CE. Le niveau de puissance sonore reporté pour la machine a été mesuré avec l'équipement de coupe d'origine qui donne le niveau le plus élevé. Le niveau de puissance sonore garanti diffère du niveau mesuré en cela qu'il prend également en compte la dispersion et les variations d'une machine à l'autre du même modèle, conformément à la directive 2000/14/CE.

<sup>4</sup> Les données reportées pour le niveau de pression sonore équivalent montrent une dispersion statistique typique (déviatoin standard) de 1 dB (A).

## Accessoires

### Accessoires

Les accessoires sont recommandés pour une utilisation en association avec les têtes ayant la puissance prescrite et ont été évalués conformément aux normes

de sécurité EN et ISO applicables par l'institut suédois des tests de l'outillage mécanique.

Accessoires homologués	Type d'accessoire	Protection pour équipement de coupe, réf.
Filet axe de lame M10		
Lames en plastique	Tricut Ø 255 mm (les lames séparées portent la référence 531 01 77-15)	588 54 37-01 / 588 11 79-01 503 93 42-02 / 503 97 71-01
	Tricut Ø 300 mm (les lames séparées portent la référence 531 01 77-15)	588 54 37-01
Tête de désherbage	Trimmy Fix (fil de Ø 2,4 mm)	588 54 37-01 / 588 11 79-01 503 93 42-02 / 503 97 71-01
	Superauto II (fil de Ø 2,4 - 2,7 mm)	588 54 37-01 / 588 11 79-01 503 93 42-02 / 503 97 71-01
	S35 (fil de Ø 2,4 - 3,0 mm)	588 54 37-01 / 588 11 79-01 503 93 42-02 / 503 97 71 01
	T25 (fil Ø 2,0 - 2,7 mm)	588 54 37-01 / 588 11 79-01 503 93 42-02 / 503 97 71-01
	T35, T35x (fil de Ø 2,4 - 3,0 mm)	588 54 37-01 / 588 11 79-01 503 93 42-02 / 503 97 71-01
	Alloy (fil de Ø 2,0 - 3,3 mm)	588 54 37-01 / 588 11 79-01 503 93 42-02 / 503 97 71-01

Accessoires approuvés	Utilisez avec
Accessoire de balayeuse SR600-2	525LK :
Accessoire pour taille-haie HA110	525LK :
Accessoire pour taille-haie HA850	525LK :
Accessoire pour tranche-bordure EA850	525LK :
Accessoire pour scie PA1100	525LK :
Accessoire pour coupe-herbe TA850	525LK :

<b>Accessoires approuvés</b>	<b>Utilisez avec</b>
Accessoire télescopique EX850	525LK :
Accessoire pour cultivateur CA230	525LK :
Accessoire pour souffleur BA101	525LK :
Brosse à picots accessoire BR600	525LK :
Aérateur de pelouse accessoire DT600	525LK :
Accessoire pour débroussailleuse BCA850-24	525LK :

**KEES VAN DER SPEK**  
 TUIN EN PARKMACHINES ★ TER AAR

---

# Déclaration de conformité CE

---

## Déclaration de conformité CE

**Husqvarna AB**, SE-561 82 Huskvarna, Suède, tél. :

+46-36-146500, déclarons que le coupe-herbe

**Husqvarna 525LK** à partir des numéros de série de l'année de fabrication 2016 et ultérieurement (l'année est clairement indiquée sur la plaque signalétique et suivie d'un numéro de série) est conforme aux dispositions de la DIRECTIVE DU CONSEIL :

- du 17 mai 2006 « relative aux machines »  
**2006/42/CE**
- du 26 février 2014 « relative à la compatibilité électromagnétique » **2014/30/UE**
- du 8 mai 2000 « émissions sonores dans l'environnement » **2000/14/CE**. Évaluation de la conformité conformément à l'annexe V. Pour plus d'informations concernant les émissions sonores, consultez le chapitre *Caractéristiques techniques à la page 44*.
- du 8 juin 2011 « relative à la limitation de l'utilisation de certaines substances dangereuses au sein d'équipements électriques et électroniques »  
**2011/65/UE**

Les normes harmonisées suivantes ont été appliquées :

**EN ISO 12100:2010, EN ISO 11806-1:2011, ISO 14982:2009, CISPR 12:2009, EN 50581:2012**

RISE SMP Svensk Maskinprovning AB, Box 7035, SE-750 07 Uppsala, Sweden,, a procédé à des examens de type volontaire au nom de Husqvarna AB.

Les certificats portent les numéros : **SEC/13/2382 - 525LK**

Huskvarna, 2016-03-30



Per Gustafsson, Directeur du développement  
(Représentant autorisé d'Husqvarna AB et responsable de la documentation technique.)

---

## Inhoud

---

Inleiding.....	48	Probleemoplossing.....	67
Veiligheid.....	50	Transport en opslag.....	68
Montage.....	56	Technische gegevens.....	68
Werking.....	59	Accessoires.....	69
Onderhoud.....	63	EG verklaring van overeenstemming.....	71

---

## Inleiding

---

### Productbeschrijving

Het product is een grastrimmer met een verbrandingsmotor.

Er wordt voortdurend gewerkt aan het verhogen van uw veiligheid en efficiëntie tijdens bedrijf. Neem voor meer informatie contact op met uw dealer.

### Gebruik

Het product kan worden gebruikt in combinatie met een trimmerkop om gras te maaien. Gebruik het product niet

voor andere werkzaamheden dan het trimmen en maaien van gras.

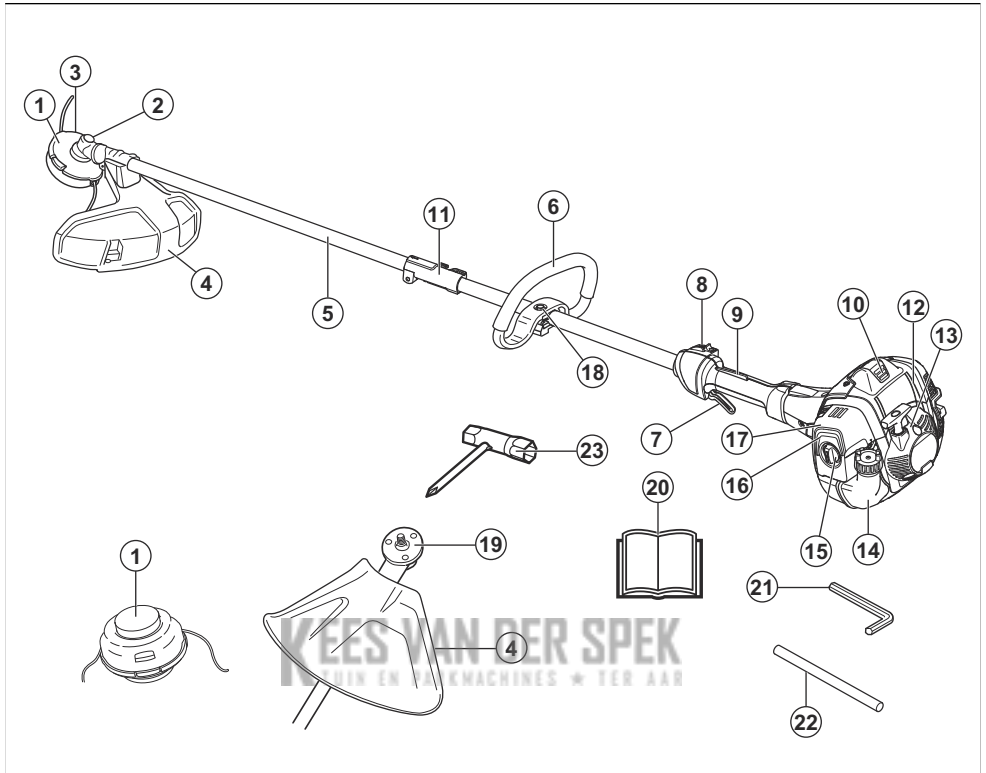
---

**Let op:** Mogelijk zijn landelijke of lokale wettelijke voorschriften van toepassing op het gebruik. Volg de eventuele voorschriften op.

---

**KEES VAN DER SPEK**  
TUIN EN PARKMACHINES ★ TER AAR

## Productoverzicht



1. Trimmerkop
2. Vuldop smeervet
3. Hoekoverbrenging
4. Beschermkap voor snijuitrusting
5. As
6. Lusgreep
7. Gashendel
8. Stopschakelaar
9. Gashendelvergrendeling
10. Bougiekap en bougie
11. Steelkoppeling
12. Cilinderkap
13. Starhendel
14. Brandstoftank
15. Luchtfilterdeksel
16. Primerbalg van brandstofpomp
17. Chokehendel
18. Handvatinstelling
19. Meenemer
20. Bedieningshandleiding

21. Inbusleutel
22. Borgpen
23. Ring-steeksleutel

### Symbolen op het product



**WAARSCHUWING!** Wees voorzichtig en gebruik het product op de juiste manier. Dit product kan ernstig of fataal letsel toebrengen aan de gebruiker of anderen.



Lees de bedieningshandleiding goed en zorg dat u de instructies hebt begrepen voordat u dit product gaat gebruiken.



Gebruik een veiligheidshelm op locaties waar objecten op u kunnen vallen. Gebruik goedgekeurde gehoorbescherming. Gebruik goedgekeurde oogbescherming.



Draag goedgekeurde veiligheidshandschoenen.



Gebruik antisliplaarzen voor zwaar gebruik.



Het gebruik van het product kan tot rondvliegende voorwerpen leiden, waardoor letsel kan ontstaan.



Maximum toerental van de uitgaande as.



Houd personen en dieren op een minimale afstand van 15 m tijdens het gebruik van dit product.



Gebruik alleen flexibel snijdraad. Gebruik geen metalen snijuitrusting voor het trimmen van gras.



De pijlen tonen de grenswaarde voor de stand van de hendel.



Primerbalg van brandstofpomp.



Choke.



Brandstof.



De geluidsemisatie is in overeenstemming met geldende EU-richtlijnen. De geluidsemisatie van het product is vermeld in [xref] en op het etiket.



Het product voldoet aan de geldende EG-richtlijnen.

yyyywwxxxx

Het productplaatje toont het serienummer. **||||** is het productiejaar, **ww** is de productieweek.

**Let op:** Andere symbolen/stickers op het product hebben betrekking op certificeringseisen voor bepaalde markten.

## EU V



**WAARSCHUWING:** De EU-typegoedkeuring van dit product vervalt als ongeoorloofde wijzigingen aan de motor aangebracht worden.

## Productaansprakelijkheid

Zoals uiteengezet in de wet voor productaansprakelijkheid zijn wij niet aansprakelijk voor schade die door ons product wordt veroorzaakt, indien:

- het product niet goed is gerepareerd.
- het product is gerepareerd met onderdelen die niet van de fabrikant afkomstig zijn, of onderdelen die niet zijn goedgekeurd door de fabrikant.
- het product een accessoire bevat dat niet afkomstig is van de fabrikant of niet is goedgekeurd door de fabrikant.
- het product niet is gerepareerd door een erkend servicepunt of door een erkende autoriteit.

## Veiligheid

### Veiligheidsdefinities

Waarschuwingen, voorzorgsmaatregelen en opmerkingen worden gebruikt om te wijzen op belangrijke delen van de handleiding.



**WAARSCHUWING:** Wordt gebruikt om te wijzen op de kans op ernstig of fataal letsel voor de gebruiker of omstanders

wanneer de instructies in de handleiding niet worden gevolgd.



**OPGELET:** Wordt gebruikt indien er een risico bestaat op schade aan het product en andere eigendommen of aan de omgeving wanneer de instructies in de handleiding niet worden gevolgd.

---

**Let op:** Geven verdere informatie die nodig is in een bepaalde situatie.

---

## Algemene veiligheidsinstructies

---



**WAARSCHUWING:** Lees de volgende waarschuwingen voordat u het product gaat gebruiken.

---

- Een motorzeis, bosmaaier of trimmer kan bij slordig of onjuist gebruik een gevaarlijk gereedschap zijn, dat ernstig letsel of het overlijden van de gebruiker of anderen kan veroorzaken. Het is uiterst belangrijk dat u de inhoud van deze bedieningshandleiding doorleest en begrijpt.
- De oorspronkelijke vormgeving van het product mag in geen enkel geval worden gewijzigd zonder toestemming van de fabrikant. Gebruik nooit een product dat zo gewijzigd is dat het niet langer overeenkomt met de originele uitvoering en gebruik altijd originele accessoires. Niet goedgekeurde wijzigingen en/of niet-originele onderdelen kunnen tot ernstig persoonlijk letsel of de dood van zowel gebruiker als omstanders leiden.
- De binnenkant van de geluiddemper bevat chemicaliën die kankerverwekkend kunnen zijn. Vermijd contact met deze elementen wanneer de carburateur is beschadigd.
- Dit product produceert tijdens bedrijf een elektromagnetisch veld. Dit veld kan onder bepaalde omstandigheden de werking van actieve of passieve medische implantaten verstoren. Om het risico op ernstig of dodelijk letsel te beperken, raden we personen met een medisch implantaat aan om contact op te nemen met hun arts en de fabrikant van het medische implantaat voordat ze dit product gaan bedienen.
- Alle deksels, beschermingen en hendels moeten aangebracht zijn voordat u het product start. Verzekeer u ervan dat de bougie dop en ontstekingskabel onbeschadigd zijn om het risico van een elektrische schok te voorkomen.
- Gebruik het product nooit wanneer u vermoeid bent, alcohol of drugs hebt gebruikt, of als u medicijnen gebruikt die uw gezichtsvermogen, beoordelingsvermogen of coördinatie kunnen beïnvloeden.
- Gebruik het product niet in ongunstige weersomstandigheden, zoals dichte mist, hevige regen, harde wind, hevige koude enz. Werken in slechte weersomstandigheden is vermoeiend en kan tot gevaarlijke situaties leiden, zo kan de grond glad zijn, de wind de valrichting van de boom beïnvloeden enz.
- De enige accessoires waarvoor u deze motoreenheid mag gebruiken zijn de snijuitrustingen die wij aanbevelen. Zie *Accessoires op pagina 69*.
- Sta nooit toe dat kinderen het product gebruiken of in de buurt van het product komen. Omdat het product is uitgerust met een terugverende start/stop-schakelaar en kan worden gestart op lage snelheid en met weinig kracht op de starthendel, kunnen zelfs kleine kinderen onder bepaalde omstandigheden het product op eigen kracht starten. In dat geval kan er een risico op ernstig persoonlijk letsel bestaan. Verwijder daarom de bougiekap wanneer u geen toezicht houdt op het product.
- Een motor laten lopen in een afgesloten of slecht geventileerde ruimte kan dodelijke ongelukken veroorzaken door verstikking of koolmonoxidevergiftiging.
- Start het product nooit voordat het complete koppelingsdeksel en de steel gemonteerd zijn, anders kan de koppeling losraken en persoonlijk letsel veroorzaken.
- Zorg ervoor dat er zich geen personen of dieren op een afstand kleiner dan 15 m bevinden terwijl u werkt. Indien meerdere gebruikers in hetzelfde gebied werken, moet de veiligheidsafstand minimaal 15 meter bedragen. Anders bestaat er een risico op ernstig persoonlijk letsel. Schakel het product onmiddellijk uit indien iemand dichterbij komt. Draai het product nooit rond zonder eerst te controleren of er achter u niet iemand zich in de veiligheidszone bevindt.
- Zorg ervoor dat mensen, dieren of andere dingen geen invloed hebben op uw controle over het product en dat ze niet in contact komen met de snijuitrusting of losse objecten die worden uitgeworpen door de snijuitrusting. Gebruik het product echter nooit zonder de mogelijkheid hulp in te kunnen roepen in geval van nood.
- Controleer altijd het werkgebied. Verwijder alle losse voorwerpen, zoals stenen, gebroken glas, spijkers, staal draad, touw en dergelijke, die weggeslingerd kunnen worden of vast kunnen komen zitten in de snijuitrusting.

## Veiligheidsinstructies voor bediening

---



**WAARSCHUWING:** Lees de volgende waarschuwingen voordat u het product gaat gebruiken.

---

- Voordat u de machine gaat gebruiken, moet u begrijpen wat het verschil is tussen gras maaien en gras trimmen.
- Wanneer u in een situatie belandt waarin u niet goed weet hoe u verder te werk moet gaan, moet u een expert raadplegen. Wend u tot uw dealer of uw servicewerkplaats. Gebruik de machine nooit voor taken waarvoor u niet voldoende gekwalificeerd bent.
- Gebruik nooit een machine die defect is. Voer de in deze handleiding beschreven veiligheidscontroles en de onderhouds- en service-instructies uit. Bepaalde onderhouds- en servicemaatregelen moeten door opgeleide en gekwalificeerde specialisten worden uitgevoerd. Zie *Onderhoud op pagina 63*.

- Zorg ervoor dat u veilig kunt gaan en staan. Controleer of er eventuele hindernissen zijn als u onverwacht snel moet kunnen weggomen (wortels, stenen, takken, kuilen, greppels enz.). Wees extra voorzichtig wanneer u op hellend terrein werkt.



- Zorg steeds voor een goede balans en een stabiele houding. Voorkom overstrekken.
- Houd het product altijd met twee handen vast. Houd het apparaat rechts van uw lichaam.
- De snijuitrusting moet onder taillehoogte blijven.
- Wanneer u zich verplaatst moet de motor uitgeschakeld worden. Als het om een langere verplaatsing en vervoer gaat, moet u de transportbescherming gebruiken.
- Leg het product nooit neer terwijl de motor draait, tenzij u er goed zicht op hebt.
- Stop de motor en de snijuitrusting voordat u materiaal verwijdert dat rond de bladgas is gewikkeld. Noch de gebruiker van het product noch iemand anders mag proberen het maaisel of het afgesneden materiaal te verwijderen wanneer de motor of de snijuitrusting draait, omdat dit tot ernstig letsel kan leiden. De haakse tandwieloverbrenging kan zeer warm worden tijdens het gebruik en nog geruime tijd warm blijven na gebruik. Bij contact bestaat risico van brandwonden.
- Kijk uit voor wegschietende objecten. Gebruik altijd goedgekeurde oogbescherming. Leun nooit over de beschermkap van de snijuitrusting. Stenen, afval, enzovoort kunnen omhoog schieten in uw ogen en dat kan blindheid of ernstig letsel veroorzaken.
- Soms raken takken of gras bekneld tussen de beschermkap en de snijuitrusting. Schakel altijd de motor uit voordat u het product reinigt.
- Laat na elke stap van het werkproces de motor stationair draaien. Als de motor langdurig op volle toeren draait zonder dat hij belast wordt kan dit tot ernstige beschadigingen van de motor leiden.
- Let als u gehoorbescherming draagt op waarschuwingssignalen of geschreeuw. Doe uw gehoorbescherming altijd af zodra de motor is gestopt.
- Als men teveel wordt blootgesteld aan trillingen, kan dit tot bloedvat- en zenuwbeschadigingen leiden bij personen die een slechte bloedcirculatie hebben.

Consulteer uw dokter wanneer u symptomen heeft die wijzen op te grote blootstelling aan trillingen. Dergelijke symptomen zijn slapende vingers e.d., geen gevoel, "kriebelend" gevoel, "speldenprikken", pijn, geen of weinig kracht, huidverkleuringen of veranderingen van het huidoppervlak. Deze symptomen komen meestal voor op vingers, handen of polsen.

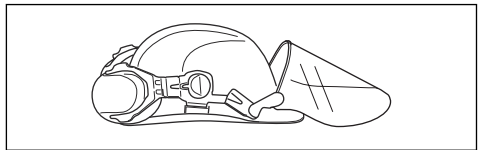
- Gebruik nooit een product met een beschadigde bougiekap.
- Gebruik geen product met een defecte geluiddemper.
- Houd alle lichaamsdelen uit de buurt van de draaiende snijuitrusting en hete oppervlakken.
- Gebruik nooit een product met een defecte geluiddemper
- Start of gebruik het product nooit binnenshuis, in de buurt van brandbaar materiaal of in ruimten waar onvoldoende ventilatie is. De uitlaatgassen van de motor bevatten koolmonoxide, een geurloos, giftig en uiterst gevaarlijk gas. De uitlaatgassen zijn ook heet en kunnen vonken bevatten die tot brand kunnen leiden.

## Persoonlijke beschermingsmiddelen

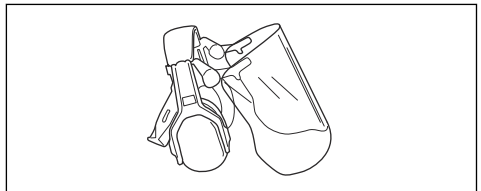


**WAARSCHUWING:** Lees de volgende waarschuwingen voordat u het product gaat gebruiken.

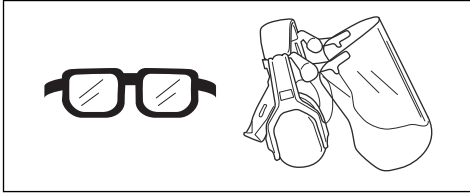
- Draag tijdens het gebruik van het product altijd goedgekeurde persoonlijke beschermingsmiddelen. Persoonlijke beschermingsmiddelen kunnen niet alle risico's uitsluiten maar kunnen de ernst van eventueel letsel helpen beperken. Vraag uw dealer u te helpen bij het kiezen van de juiste beschermingsmiddelen.
- Gebruik een veiligheidshelm bij kans op vallende voorwerpen.



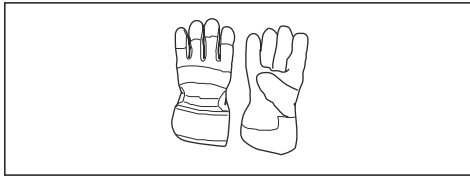
- Gebruik goedgekeurde gehoorbescherming met voldoende dempvermogen. Langdurige blootstelling aan lawaai kan leiden tot permanente gehoorbeschadiging.



- Gebruik goedgekeurde oogbescherming. Als u een vizier gebruikt, moet u ook een goedgekeurde veiligheidsbril gebruiken. Een goedgekeurde veiligheidsbril moet voldoen aan de norm ANSI Z87.1 voor de VS of EN 166 voor de EU-landen.



- Draag zo nodig handschoenen, bijvoorbeeld bij het monteren, inspecteren of reinigen van de snijuitrusting.



- Gebruik beschermende laarzen met stalen neuzen en antislipzolen.



- Gebruik kleding van stevige stof. Gebruik altijd een zware lange broek en lange mouwen. Gebruik geen loszittende kleding die gemakkelijk kan blijven haken aan takjes en struikgewas. Draag geen sieraden, korte broek of sandalen of loop niet op blote voeten. Bind voor de veiligheid lang haar samen tot boven schouderhoogte.
- Houd een EHBO-does binnen handbereik.



## Veiligheidsvoorzieningen op het product



**WAARSCHUWING:** Lees de volgende waarschuwingen voordat u het product gaat gebruiken.

In dit hoofdstuk worden de veiligheidsvoorzieningen van het product beschreven, welke functie ze hebben en hoe controles en onderhoud moeten worden uitgevoerd om hun goede werking te waarborgen. Zie de instructies onder het kopje *Productoverzicht op pagina 49* om te zien waar deze onderdelen zich bevinden op uw product.

De levensduur van het product kan worden verkort en het risico op ongevallen kan toenemen wanneer het onderhoud van het product niet op de juiste manier plaatsvindt en wanneer service en/of reparaties niet vakkundig worden uitgevoerd. Indien u meer informatie nodig hebt, verzoeken wij u contact op te nemen met de dichtstbijzijnde onderhoudsdealer.



**WAARSCHUWING:** Gebruik een product nooit wanneer de veiligheidsvoorzieningen defect zijn. De veiligheidsuitrusting van het product moet geïnspecteerd en onderhouden worden zoals beschreven in dit hoofdstuk. Als uw product een van deze controles niet doorstaat, moet u contact opnemen met uw servicewerkplaats om uw unit te laten repareren.

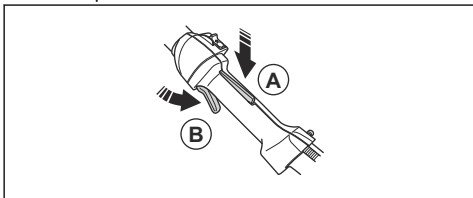


**OPGELET:** Om service en reparaties aan de machine uit te voeren, moet u een speciale opleiding hebben. Dit geldt met name voor de veiligheidsuitrusting van de machine. Als de machine één van de volgende controles niet goed doorstaat, moet u ermee naar uw servicewerkplaats gaan. Als u één van onze producten koopt, garandeert dit dat de reparaties en service door een vakman kunnen worden uitgevoerd. Als u uw machine heeft gekocht bij één van onze dealers die geen servicewerkplaats heeft, vraag hem dan waar de dichtstbijzijnde erkende werkplaats is.

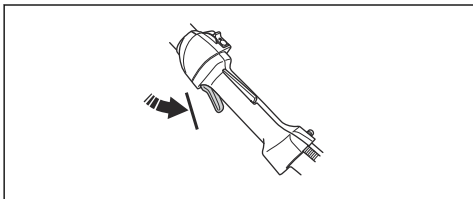
## Gashendelvergrendeling controleren

De gashendelvergrendeling is geconstrueerd om onopzettelijke activering van de gashendel te voorkomen.

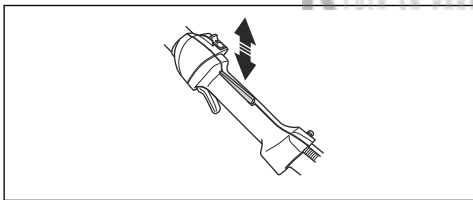
1. Druk de gashendelvergrendeling (A) in en controleer of de gashendel wordt ontgrendeld (B). Wanneer u het handvat loslaat, gaan zowel de gashendel als de gashendelvergrendeling terug naar hun respectievelijke beginposities. Dit gebeurt via twee onafhankelijk werkende retourveren. Deze positie houdt in dat de gashendel automatisch vergrendeld wordt op stationair draaien.



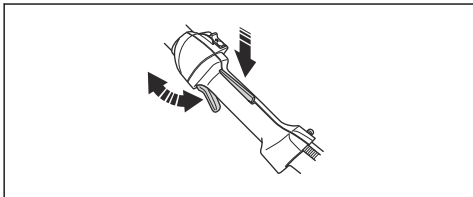
2. Controleer of de gashendel vergrendeld is in de stationaire stand wanneer de gashendelvergrendeling in de oorspronkelijke stand staat.



3. Druk de gashendelvergrendeling in en controleer of hij teruggaat naar de beginpositie wanneer u deze loslaat.

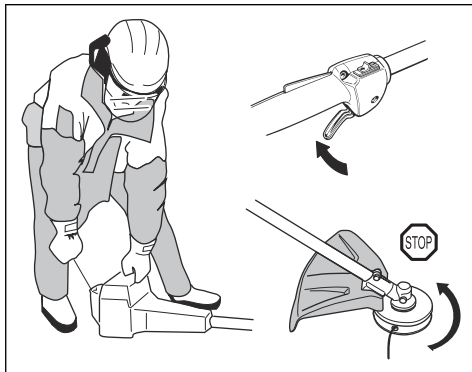


4. Controleer of de gashendel en de gashendelvergrendeling vrij bewegen en of hun retourveren goed werken.



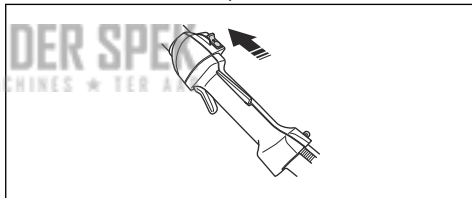
5. Start het product (zie instructies onder *Product starten op pagina 61*) en geef volgas.

6. Laat de gashendel los en controleer of de snijuitrusting stopt en stil blijft staan. Als de snijuitrusting draait wanneer de gashendel in de stationaire stand staat, moet de stationaire stand van de carburateur worden gecontroleerd. Zie de instructies in het hoofdstuk *Onderhoud op pagina 63*.



#### Stopschakelaar controleren

1. Start de motor.
2. Zet de stopschakelaar in de stopstand en zorg ervoor dat de motor stopt.



#### Beschermkap van de snijuitrusting controleren



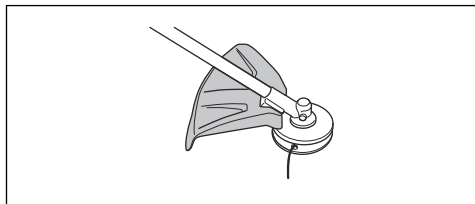
**WAARSCHUWING:** Gebruik geen snijuitrusting zonder een goedgekeurde en correct bevestigde beschermkap. Zie *Accessoires op pagina 69*.



**WAARSCHUWING:** Gebruik altijd de voorgeschreven beschermkap voor de snijuitrusting die u gebruikt. Indien een verkeerde of defecte beschermkap van de snijuitrusting wordt gemonteerd, kan dit ernstige verwondingen veroorzaken. Zie *Technische gegevens op pagina 68*.

De beschermkap van de snijuitrusting voorkomt letsel door losse objecten die in de richting van de gebruiker

vliegen. Hij voorkomt ook letsel dat veroorzaakt wordt als u met de snijuitrusting in contact komt.



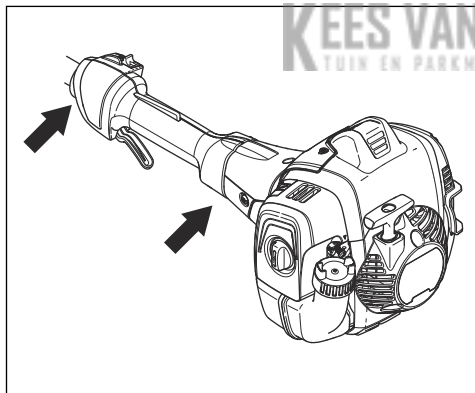
1. Voer een visuele controle uit op beschadigingen, bijvoorbeeld scheuren.
2. Vervang de beschermkap van de snijuitrusting als deze is beschadigd.

### Trillingsdempingssysteem controleren



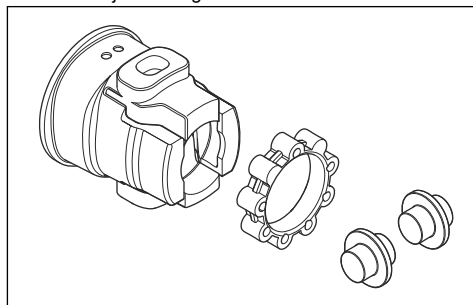
**WAARSCHUWING:** Het gebruik van een verkeerd gewikkelde draad of verkeerde snijuitrusting verhoogt het trillingsniveau.

Het trillingsdempingssysteem vermindert trillingen in de handgrepen tot een minimum wat de bediening vergemakkelijkt. Het trillingsdempingssysteem van het product vermindert de overdracht van trillingen tussen de motor en de as.

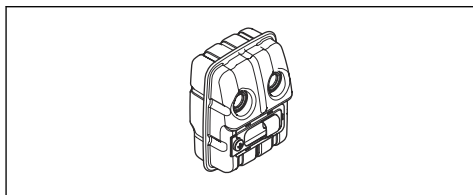


1. Stop de motor.
2. Voer een visuele controle uit op vervorming en beschadiging, bijvoorbeeld scheuren.

3. Controleer of de onderdelen van de trillingdemping correct zijn bevestigd.

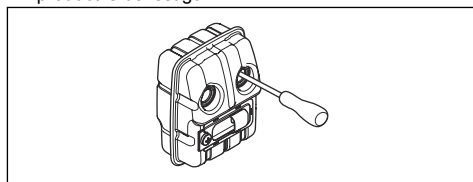


### Geluidemper controleren



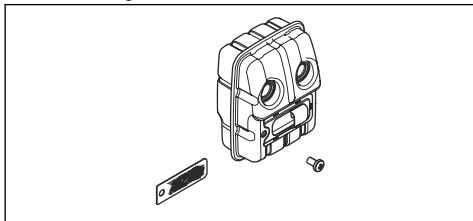
De geluidemper is bedoeld om geluidsniveaus zo laag mogelijk te houden en om de uitlaatgassen weg te voeren van de gebruiker.

- Voer een visuele controle uit op beschadiging en vervorming.
- Zorg ervoor dat de geluidemper correct aan het product is bevestigd.



- Voer een visuele controle uit als de geluidemper op uw product uitgerust is met een vonkenscherm. Vervang het vonkenscherm als het beschadigd is.
  - a) Reinig het vonkenscherm als het verstopt is. Een verstopt vonkenscherm leidt ertoe dat de motor te heet wordt, waardoor schade aan de cilinder en zuiger ontstaat.

- b) Zorg ervoor dat het vonkenscherm correct is bevestigd.



## Brandstofveiligheid



**WAARSCHUWING:** Lees de volgende waarschuwingen voordat u het product gaat gebruiken.

- Start het product nooit wanneer u er brandstof op hebt gemorst. Veeg alle gemorste brandstof af en laat de resterende brandstof verdampen.
- Start het nooit product wanneer u brandstof hebt gemorst op uzelf of op uw kleding. Trek schone kleding aan en was uw lichaamsdelen die in contact zijn gekomen met brandstof. Gebruik water en zeep.
- Start het product nooit als het product brandstof lekt. Controleer de tankdop en de brandstofleidingen regelmatig op lekkage.
- Plaats het product altijd op een vlakke ondergrond en zorg ervoor dat de snijuitrusting niet in contact komt met een object terwijl u brandstof bijvult.
- Wees voorzichtig bij het hanteren van brandstof. Houd rekening met het risico van brand, explosie en het inademen van dampen.
- Wees voorzichtig wanneer u met brandstof werkt en zorg voor goede ventilatie. Brandstof en brandstofdampen zijn zeer brandgevaarlijk en kunnen leiden tot ernstig letsel bij inademing en contact met de huid.
- Brandstof moet u buitenshuis mengen en bijvullen, uit de buurt van vonken of vlammen.

- Rook niet of plaats geen warme voorwerpen in de buurt van de brandstof.
- Stop de motor en laat hem vóór het tanken enkele minuten afkoelen.
- Open de dop van de tank voorzichtig wanneer u wilt tanken, zodat eventuele overdruk langzaam kan ontsnappen.
- Draai de dop van de tank goed vast na het tanken.
- Maak de dop van de tank en de directe omgeving goed schoon. Maak de omgeving rond de tankdop schoon.
- Haal het product altijd 3 m (10 ft) of verder weg van de tankplaats en brandstofopslagplaats voordat u het start.

## Veiligheidsinstructies voor onderhoud



**WAARSCHUWING:** Schakel altijd de motor uit voor u aan de snijuitrusting gaat werken. De snijuitrusting blijft roteren nadat u de gashendel hebt losgelaten. Controleer of de snijuitrusting volledig tot stilstand is gekomen en koppel de bougie los voordat u werkzaamheden gaat uitvoeren.



**WAARSCHUWING:** Het gebruik van defecte snijuitrusting kan het risico op ongevallen vergroten.



**WAARSCHUWING:** Denk er altijd om dat de trimmerdraad stevig en gelijkmatig rond de trommel wordt gewikkeld, anders zorgt het product voor schadelijke trillingen.

- Gebruik een snijuitrusting alleen samen met de door ons aanbevolen beschermkappen. Zie *Accessoires op pagina 69*.

## Montage

### Inleiding



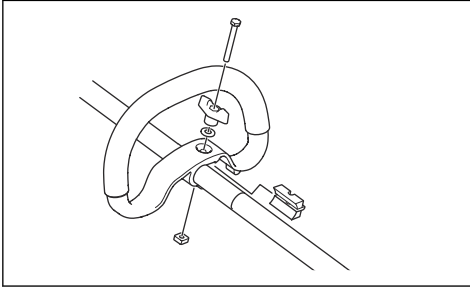
**WAARSCHUWING:** Voordat u het product gaat monteren, dient u het hoofdstuk over veiligheid te lezen en hebben begrepen.



**WAARSCHUWING:** Verwijder de bougiekabel van de bougie voordat u het product monteert.

## Lusgreep monteren

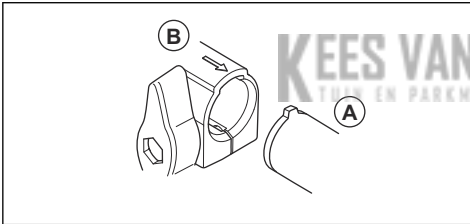
1. Plaats het loophandvat op de steel tussen de pijlen.



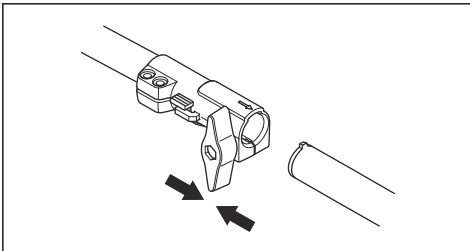
2. Plaats het afstandsstuk in de sleuf in het loophandvat.
3. Breng de moer, knop en schroef aan. Zet niet helemaal vast.
4. Stel het product af op de gewenste werkstand.
5. Draai de knop vast.

## De deelbare steel monteren

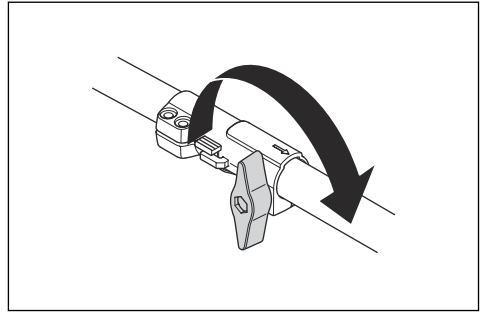
1. Draai aan de knop om de koppeling los te maken.
2. Lijn de nok op de snijuitrusting (A) uit met de pijl op de koppeling (B).



3. Duw de steel voorzichtig in de koppeling tot u een klik hoort.

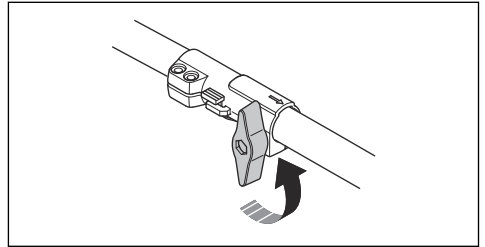


4. Draai de knop volledig vast.

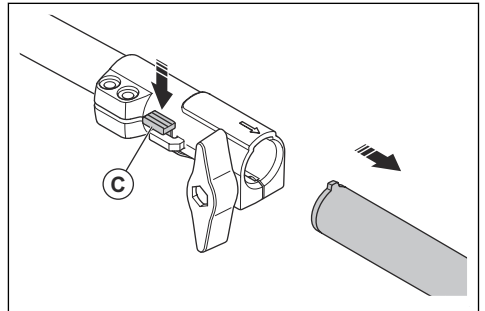


## Deelbare steel demonteren

1. Draai de knop 3 slagen of meer om de koppeling los te maken.



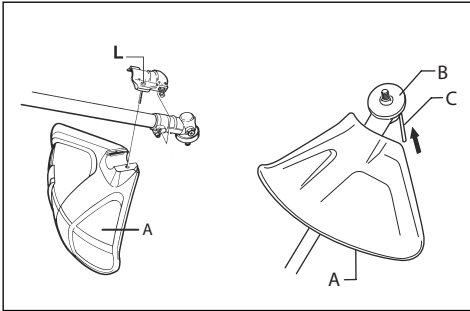
2. Druk de knop (C) in en houd deze ingedrukt.
3. Houd deze stevig vast aan het uiteinde van de steel waarop de motor is bevestigd.
4. Trek het hulpstuk in een rechte lijn uit de koppeling.



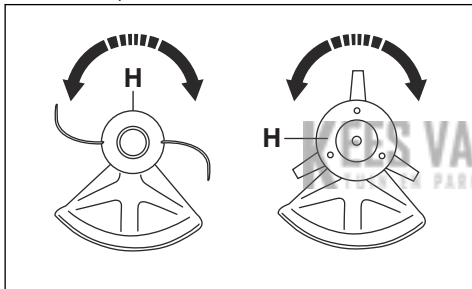
## Beschermkap van snijuitrusting en trimmerkop monteren

1. Bevestig de juiste beschermkap van de snijuitrusting (A) voor de trimmerkop. Zie *Accessoires op pagina 69*.
2. Zet het de beschermkap van de snijuitrusting in de passing op de steel.

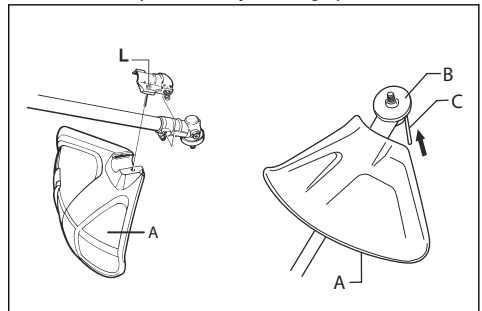
3. Zet vast met de bout (L).



4. Monteer de meenemer (B) op de uitgaande as.
5. Draai de uitgaande as totdat een van de openingen in de meenemer op één lijn ligt met de overeenkomstige opening in het tandwielhuis.
6. Breng de borgpen (C) aan in de opening om de steel te vergrendelen.
7. Zet de trimmerkop/kunststof bladen (H) in de tegenovergestelde richting van de richting waarin de trimmerkop draait/de kunststof bladen draaien.



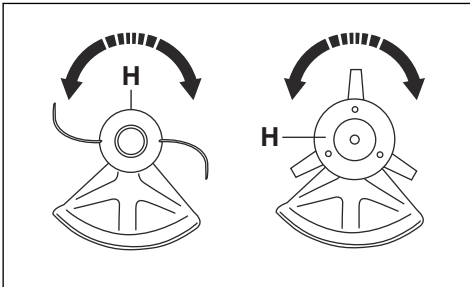
2. Trek de borgpen (C) uit de opening om de steel te ontgrendelen.
3. Verwijder de meenemer (B) van de uitgaande as.
4. Draai de bout (L) los uit de passing voor de beschermkap van de snijuitrusting op de steel.



5. Verwijder de beschermkap van de snijuitrusting (A).

## Beschermkap van snijuitrusting en trimmerkop demonteren

1. Draai de trimmerkop/kunststof bladen (H) in de richting waarin de trimmerkop draait/de kunststof bladen draaien.



# Werking

## Brandstof

Dit product is uitgerust met een tweetaktmotor.



**OPGELET:** Een verkeerde soort brandstof kan leiden tot motorschade. Gebruik een mengsel van benzine en tweetaktolie.

## Benzine

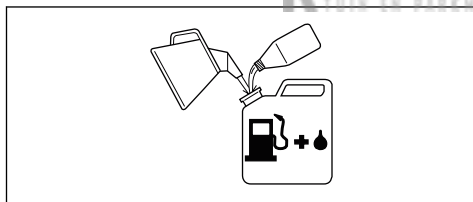


**OPGELET:** Gebruik altijd een benzine-oliemengsel van goede kwaliteit met een octaangetal (RON) van minimaal 90. Benzine met een lager octaangetal veroorzaakt mogelijk pingelen. Dit leidt tot een hogere motortemperatuur, wat ernstige schade aan de motor kan veroorzaken.



**OPGELET:** Als uw product is uitgerust met een katalysator gebruik dan een mengsel van loodvrije benzine/olie van goede kwaliteit. Gelode benzine beschadigt de katalysator.

- Gebruik, indien verkrijgbaar, milieuvriendelijke benzine, de zogenoemde alkylaatbenzine.



- Met ethanol gemengde brandstof, E10, kan worden gebruikt (max. 10% ethanol). Het gebruik van brandstoffen met een hoger percentage ethanol dan in E10 zal leiden tot een arm mengsel en kan schade aan de motor veroorzaken.
- Wij raden een hoger octaangetal aan wanneer u voortdurend met een hoog toerental werkt.

## Husqvarna alkylaatbrandstof

Wij bevelen aan om Husqvarna alkylaatbrandstof te gebruiken voor de beste prestaties. De brandstof bevat minder gevaarlijke stoffen dan reguliere brandstof, waardoor de uitstoot van gevaarlijke uitlaatgassen wordt beperkt. De brandstof zorgt bij verbranding voor een geringe hoeveelheid gevaarlijke restanten, waardoor de onderdelen van de motor schoner blijven. Dit verlengt de levensduur van de motor. Husqvarna alkylaatbrandstof is niet in alle markten verkrijgbaar.

## Tweetaktolie



**OPGELET:** Een ongeschikte oliekwaliteit en/of een onjuiste olie-brandstofverhouding kan het product beschadigen en de levensduur van de katalysatoren verkorten.



**OPGELET:** Gebruik geen tweetaktolie die bedoeld is voor watergekoelde buitenboordmotoren, zogenaamde outboardoil.



**OPGELET:** Gebruik geen olie die is bedoeld voor viertaktmotoren.

- Gebruik voor de beste resultaten en optimale prestaties Husqvarna tweetaktolie.
- Als geen Husqvarna tweetaktolie beschikbaar is, gebruik dan een andere hoogwaardige tweetaktolie voor luchtgekoelde motoren. Bespreek de keuze van de tweetaktolie met uw servicedealer.

Benzine, l	Tweetaktolie, l
	<b>2% (50:1)</b>
5	0,10
10	0,20
15	0,30
20	0,40

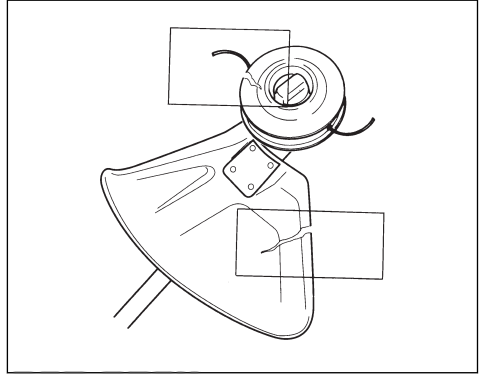
## Benzine en tweetaktolie mengen



**OPGELET:** De kans bestaat dat kleine fouten een grote invloed hebben op de mengverhouding wanneer u kleine hoeveelheden brandstof mengt. Meet nauwkeurig de hoeveelheid olie die moet worden toegevoegd, om ervoor te zorgen dat u het juiste mengsel krijgt.

## Voordat u het product gaat bedienen

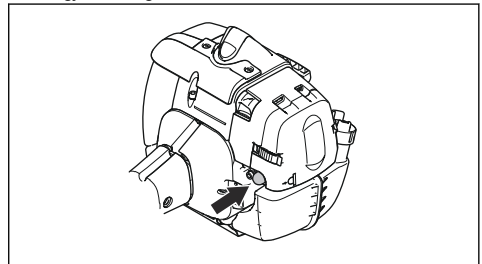
- Bekijk het werkgebied zodat u weet welk type terrein het is. Bekijk de helling van de ondergrond en of er obstakels zijn zoals stenen, takken en greppels.
- Voer een revisie-inspectie van het product uit.
- Voer de veiligheidsinspecties, onderhoud en servicebeurten uit die in deze handleiding worden aangegeven.
- Zorg dat alle afschermingen, de trimmerbeschermkap en de trimmerkop vastzitten en niet beschadigd of gescheurd zijn. Vervang indien ze zijn blootgesteld aan slagbelasting of gescheurd zijn.



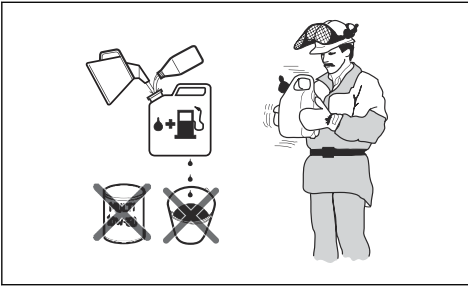
**WAARSCHUWING:** Gebruik het product niet zonder een beschermkap of een beschermkap die defect is.

## Het product voorbereiden om te starten

1. Druk de brandstofpomp steeds opnieuw in, totdat het balgje wordt gevuld met brandstof.



**Let op:** Het balgje hoeft niet helemaal met brandstof gevuld te worden.

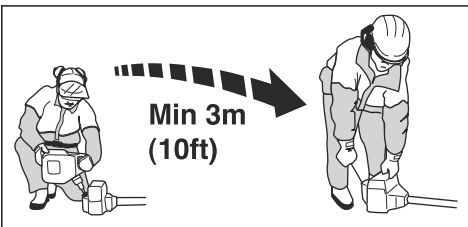


1. Giet eerst de helft van de te gebruiken benzine erin.
2. Voeg de volledige hoeveelheid olie toe en meng (schud) het brandstofmengsel.
3. Giet er daarna de resterende hoeveelheid benzine bij.
4. Meng (schud) het brandstofmengsel goed en vul de brandstoftank van het product.
5. Leeg en reinig de brandstoftank indien u het product enige tijd niet gebruikt.

**Let op:** Meng per keer niet meer brandstof dan u binnen 1 maand gebruikt en meng benzine en olie altijd in een schone container die bestemd is voor brandstof.

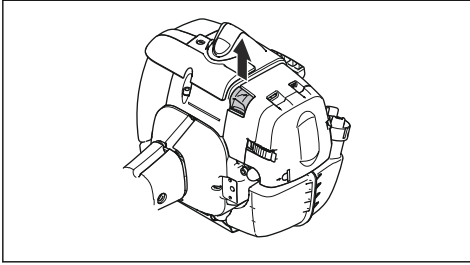
## Brandstoftank vullen

1. Maak het gebied rondom de brandstoftankdop goed schoon.
2. Schud de container en zorg ervoor dat de brandstof volledig is gemengd. Gebruik een brandstofcontainer met een anti-morsschenkruit.
3. Vul de brandstoftank.
4. Draai de tankdop volledig vast.
5. Verwijder het product altijd ten minste 3 m (10 ft) uit de buurt van de tankplaats en brandstofbron voordat u het product gaat starten.



**OPGELET:** Verontreinigingen in de tank kunnen defecten veroorzaken. Reinig de brandstoftank en de kettingolietank regelmatig en vervang het brandstoffilter één keer per jaar of vaker.

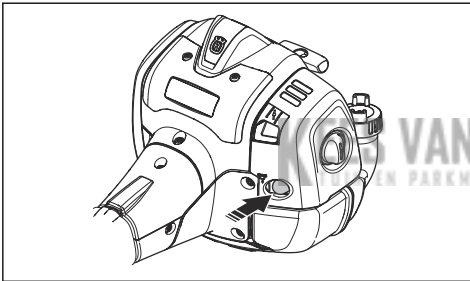
2. Zet de chokeknop omhoog in de chokestand.



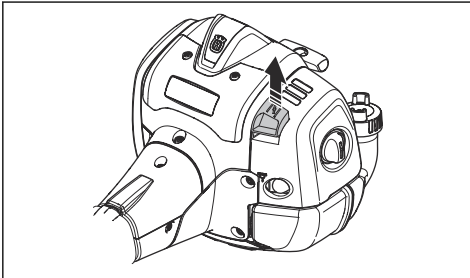
**WAARSCHUWING:** De snijtrusting begint onmiddellijk te draaien wanneer u de motor start met de choke.

## Een koude motor voorbereiden voor het starten

1. Druk de balg van de brandstofpomp steeds opnieuw in, totdat de balg wordt gevuld met brandstof. Het is niet nodig het balgie volledig te vullen.



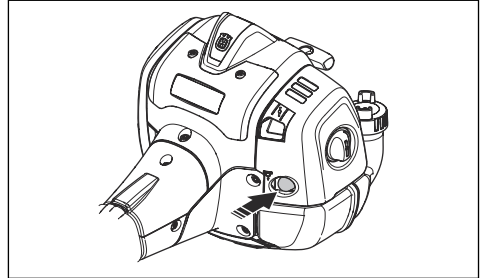
2. Zet de chokeknop omhoog in de chokestand.



**WAARSCHUWING:** De snijtrusting begint onmiddellijk te draaien wanneer u de motor start met de choke.

## Een warme motor voorbereiden voor het starten

1. Druk de balg van de brandstofpomp steeds opnieuw in, totdat de balg wordt gevuld met brandstof. Het is niet nodig het balgie volledig te vullen.



2. Trek aan de greep van het startkoord totdat de motor start. Duw de gashendel geleidelijk naar voren om het motortoerental te verhogen.



**OPGELET:** Trek het startkoord niet helemaal uit. Laat de startkoordhendel niet los wanneer het startkoord helemaal is uitgetrokken. Dit kan schade aan het product veroorzaken.

## Product starten



**WAARSCHUWING:** Lees de waarschuwingen in het hoofdstuk Veiligheid voordat u het product start (zie *Veiligheid op pagina 50*).

1. Draag veiligheidshandschoenen.
2. Druk de behuizing van het apparaat met uw linkerhand op de grond.



**OPGELET:** Gebruik nooit uw voeten!

3. Houd de starthendel vast.
4. Trek met uw rechterhand langzaam aan het startkoord totdat u enige weerstand voelt (de starterpallen grijpen in).



**WAARSCHUWING:** Wikkel het startkoord niet rond uw hand.

5. Trek snel en krachtig aan het koord.

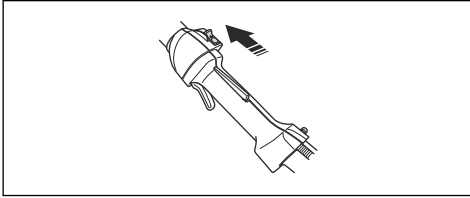


**OPGELET:** Trek het startkoord niet volledig uit en laat de starthendel niet zomaar los wanneer het startkoord volledig uitgetrokken is. Dit kan schade aan het product veroorzaken.

- Trek steeds opnieuw het startkoord uit tot de motor start.
- Zet de choke terug als de motor aanslaat.
- Bedien de gashendel geleidelijk zodra de motor start.
- Zorg ervoor dat de motor soepel loopt.

## Product stoppen

- Zet de stopschakelaar in de stopstand om de motor te stoppen.

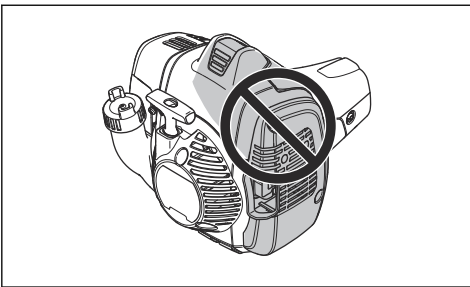


**OPGELET:** De stopschakelaar keert automatisch terug naar zijn oorspronkelijke stand. Om per ongeluk starten te voorkomen, moet de bougiekap altijd van de bougie worden gehaald bij montage, controle en/of onderhoud.

## Over het oppervlak



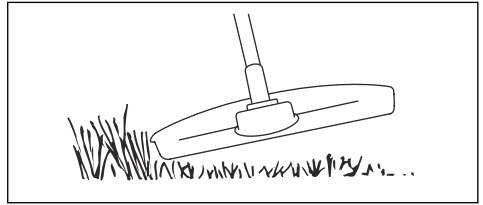
**WAARSCHUWING:** Raak het grijs aangegeven gebied in de afbeelding niet aan. Er bestaat een risico op brandwonden als het product heet is. Er bestaat een risico op elektrische schokken als de bougiekap is beschadigd. Gebruik nooit een product met een beschadigde bougiekap.



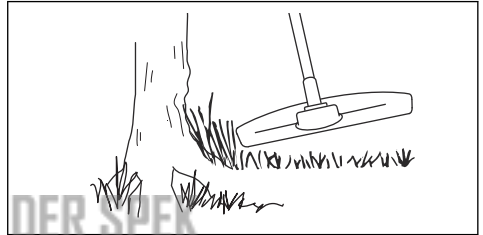
## Gras trimmen met trimmerkop

### Gras trimmen

- Houd de trimmerkop vlak boven de grond en schuin. Druk de grastrimmerdraad niet in het gras.

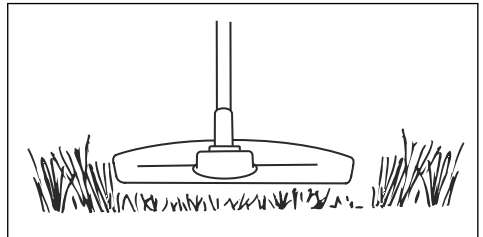


- Verkort de lengte van de trimmerdraad met 10-12 cm/4-4,75 inch.
- Verlaag het motortoerental om het risico op schade aan planten te beperken.
- Gebruik 80 % van het vermogen wanneer u in de buurt van objecten gras maait.



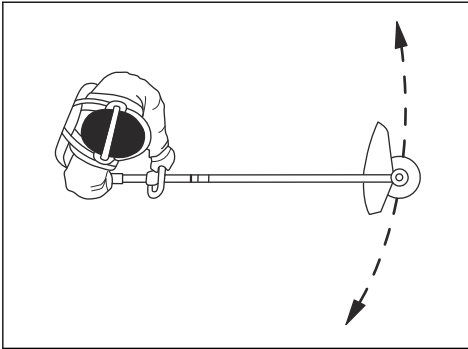
### Gras maaien

- Zorg dat de trimmerdraad parallel loopt aan de grond wanneer u gaat maaien.



- Duw de trimmerkop niet op de grond. Dit kan schade aan het product veroorzaken.

3. Gebruik de maximale snelheid.



1. Houd de trimmerkop met de trimmerdraad parallel aan de grond en boven de grond.
2. Geef vol gas.
3. Beweeg de trimmerkop van de ene naar de andere kant en veeg het gras.



**WAARSCHUWING:** Reinig de kap van de trimmerkop altijd wanneer u een nieuwe trimmerdraad monteert, om onbalans en trillingen in de hendels te voorkomen. Controleer ook de andere onderdelen van de trimmerkop en reinig deze indien nodig.

### Gras vegen

De luchtstroom van de roterende trimmerdraad kan worden gebruikt om maaisel uit een gebied te verwijderen.

## Onderhoud

### Onderhoudsschema



**WAARSCHUWING:** Voer alleen de onderhouds- en servicewerkzaamheden uit die in deze bedieningshandleiding zijn

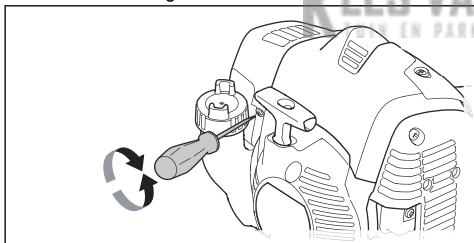
beschreven. Neem voor onderhouds- of servicewerkzaamheden die niet in deze bedieningshandleiding worden beschreven contact op met uw servicedealer.

Onderhoud	Elke dag	Wekelijks	Maandelijks
Reinig het externe oppervlak.	X		
Controleer of de gashendelvergrendeling en de gashendel goed werken.	X		
Controleer of de stopschakelaar goed werkt.	X		
Zorg ervoor dat de snijuitrusting niet draait op stationair toerental.	X		
Maak het luchtfilter schoon. Vervang het luchtfilter indien nodig.	X		
Controleer de beschermkap van de snijuitrusting op beschadigingen en scheuren. Vervang de beschermkap als deze beschadigd is.	X		
Controleer de trimmerkop op beschadigingen en scheuren. Vervang de trimmerkop indien deze beschadigd is.	X		
Controleer of de schroeven en moeren goed zijn vastgedraaid.	X		
Controleer de motor, de brandstoftank en de brandstofleidingen op lekkages.	X		
Reinig het koelsysteem.		X	
Controleer de starter en het startkoord op beschadigingen.		X	
Controleer de trillingsdempingselementen op beschadigingen en scheuren.		X	

Onderhoud	Elke dag	Wekelijks	Maandelijks
Reinig de externe delen van de bougie. Verwijder hem en controleer de afstand tussen de elektroden. Stel de afstand tussen de elektroden correct in, zie <i>Technische gegevens op pagina 68</i> of vervang de bougie. Zorg ervoor dat de bougie is uitgerust met een onderdrukker.		X	
Reinig de externe delen van de carburateur en de omgeving daarvan.		X	
Controleer of de hoekoverbrenging voor $\frac{3}{4}$ gevuld is met vet. Vul de hoekoverbrenging met Husqvarna-speciaalvet indien nodig.		X	
Maak het vonkenopvangnet van de geluiddemper schoon of vervang het (geldt alleen bij geluiddempers zonder katalysator).		X	X
Controleer of het brandstoffilter niet is verontreinigd en of de brandstofleiding geen barsten of andere defecten vertoont. Vervang onderdelen indien nodig.			X
Controleer alle kabels en aansluitingen.			X
Als het nodig is om de koppeling, koppelvveren of koppelingstrommel te vervangen, neem dan contact op met uw servicedealer.			X
Vervang de bougie. Zorg ervoor dat de bougie is uitgerust met een onderdrukker.			X

## Stationair toerental afstellen

- Zorg dat het luchtfilter schoon is en het luchtfilterdeksel gemonteerd is.
- Stel het stationair toerental af met de stelschroef. De stelschroef T is gemarkeerd met een "T".



- Draai de stelschroef rechtsom tot de snijuitrusting begint te draaien.
- Draai de stelschroef linksom tot de snijuitrusting stopt.

Het stationaire toerental is juist wanneer de motor in alle standen soepel draait. Het stationaire toerental moet lager zijn dan het toerental waarbij de snijuitrusting begint te draaien.



**WAARSCHUWING:** Als de snijuitrusting niet stopt wanneer u het stationair toerental afstelt, neem dan contact op met uw dichtstbijzijnde servicedealer. Gebruik het product niet voordat het is juist afgesteld of gerepareerd.

**Let op:** Zie *Technische gegevens op pagina 68* voor het aanbevolen stationair toerental.

## Onderhoud uitvoeren aan de trimmerkop

- Gebruik alleen de aanbevolen snijuitrusting en beschermkap van de snijuitrusting. Zie *Accessoires op pagina 69*.
- Zorg ervoor dat de snijder op de beschermkap van de snijuitrusting niet beschadigd is, deze snijdt de draad op de juiste lengte.
- Monteer de draad zoals getoond in de afbeeldingen op de laatste pagina van de handleiding.

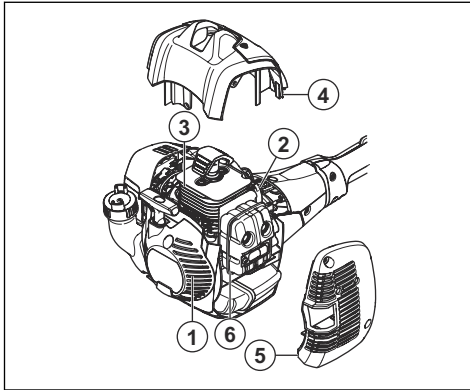
## Koelsysteem

Het product heeft een koelsysteem om de bedrijfstemperatuur zo laag mogelijk te houden.

Maak de onderdelen van het koelsysteem één keer per week schoon met een borstel, of vaker onder zwaardere omstandigheden. Een vuil of verstopt koelsysteem zorgt ervoor dat het product te heet wordt, waardoor de cilinder en zuiger beschadigd kunnen raken.

Het koelsysteem bevat de volgende onderdelen:

- Luchtinlaat in de starter.
- Ventilatorschoepen op het vliegwiel.
- Koelflenzen op de cilinder.
- Cilinderkap
- Afdekkap geluiddemper.
- Geluiddemperplaat.



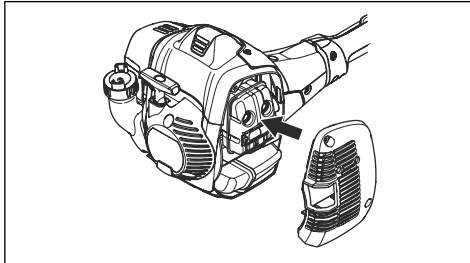
## Onderhoud uitvoeren aan de geluiddemper

De geluiddemper zorgt dat het geluidsniveau omlaag wordt gebracht en geleidt tevens de uitlaatgassen van de gebruiker weg.

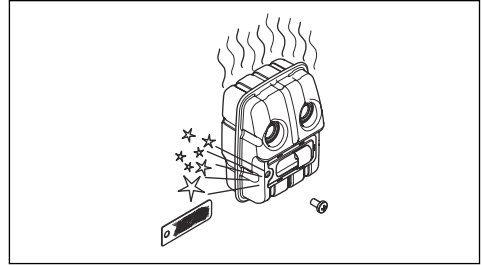


**WAARSCHUWING:** Geluiddempers met een katalysator worden zeer warm tijdens het gebruik en blijven enige tijd heet nadat u het product hebt gestopt. Dit geldt ook bij stationair draaien. Als u het product aanraakt, kunt u brandwonden oplopen. Denk na over het risico op brand.

1. Schakel het product uit en laat het afkoelen.
2. Verwijder de afscherming van de geluiddemper.



3. Verwijder de schroef waarmee het vonkenopvangnet is bevestigd.



4. Reinig het vonkenopvangnet als het verstopt is of vervang het als het beschadigd is.



**OPGELET:** Een beschadigde vonkenvanger mag nooit worden teruggeplaatst. Gebruik een product niet als het vonkenopvangnet op de geluiddemper ontbreekt of defect is.



**OPGELET:** Indien het vonkenopvangnet vaak verstopt is, kan dit erop duiden dat de werking van de katalysator is afgenomen. Neem contact op met uw servicedealer voor controle van de geluiddemper. Een verstopt vonkenopvangnet veroorzaakt oververhitting en dat leidt tot schade aan de cilinder en zuiger.

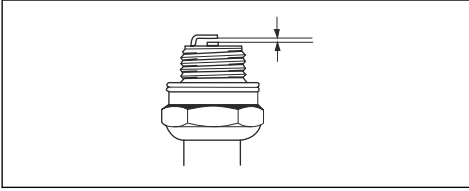
## Bougie controleren



**OPGELET:** Gebruik altijd het juiste bougietype. Een verkeerd type bougie kan schade aan het product veroorzaken.

- Controleer de bougie als de motor weinig vermogen heeft, niet gemakkelijk te starten is of stationair niet goed draait.
- Volg deze instructies om het risico van ongewenst materiaal op de elektroden van de bougie te beperken:
  - a) Zorg ervoor dat het stationair toerental altijd juist is afgesteld.
  - b) Zorg dat het brandstofmengsel correct is.
  - c) Zorg dat het luchtfilter schoon is.

- Maak de bougie schoon als deze vuil is en controleer of de afstand tussen de elektroden correct is, zie *Technische gegevens op pagina 68*.



- Vervang de bougie indien nodig.

## Luchtfilter

Verwijder stof en vuil van het luchtfilter om het schoon te houden. Zo voorkomt u:

- Storingen van de carburateur.
- Moeilijkheden bij het starten.
- Vermogensverlies.
- Onnodige slijtage van de motoronderdelen.
- Te hoog brandstofverbruik.

Reinig het luchtfilter elke 25 uur, of vaker bij ongewoon stoffige omstandigheden.

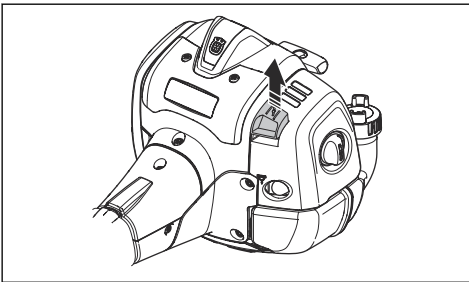
## Het luchtfilter reinigen



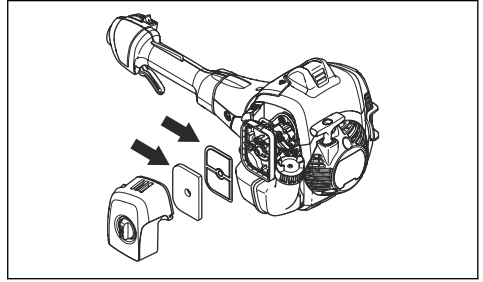
**OPGELET:** Een luchtfilter dat beschadigd is, erg vies is of doordrenkt is met brandstof, moet altijd worden vervangen.

Als u een luchtfilter lange tijd gebruikt, kan niet volledig worden gereinigd. Vervang het luchtfilter regelmatig door een nieuw exemplaar.

1. Zet de chokehendel naar boven om de chokeklep te sluiten.



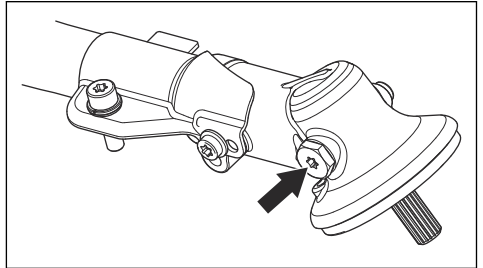
2. Verwijder het luchtfilterdeksel en verwijder het luchtfilter.



3. Reinig het luchtfilter met een warm sopje van water en zeep.
4. Vervang het luchtfilter als het zo vuil is dat het niet meer volledig kan worden gereinigd. Vervang een beschadigd luchtfilter altijd.
5. Reinig ook het binnenoppervlak van het filterdeksel. Gebruik perslucht of een borstel.
6. Controleer het oppervlak van de rubberen afdichting. Vervang het filter als de rubberen afdichting is beschadigd.
7. Zorg dat het filter droog is voordat u het monteert.

## Hoekoverbrenging

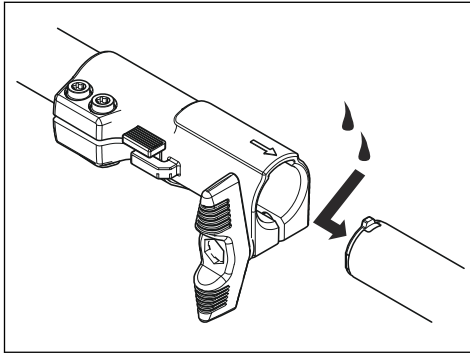
De hoekoverbrenging is af fabriek gevuld met een geschikte hoeveelheid vet. Maar voordat u het product gebruikt, moet u ervoor zorgen dat de hoekoverbrenging voor 3/4 gevuld is met vet. Gebruik Husqvarna speciaalvet.



Het vet in de hoekoverbrenging hoeft niet te worden vervangen, tenzij reparaties worden uitgevoerd.

## Tweedelige steel

Breng telkens na 30 uur bedrijf smeermiddel aan op het uiteinde van de aandrijfas. Als ze niet regelmatig gesmeerd worden, bestaat het risico dat de aandrijfasuiteinden (spiebanenverbindingen) van de deelbare modellen gaan klemmen.



## Probleemoplossing

### De motor start niet

Controle	Mogelijke oorzaak	Procedure
Stop-schakelaar.	De stop-schakelaar is in de "stop"-stand gezet.	Zet de stopschakelaar in de startpositie.
Starterpallen.	De starterpallen kunnen niet vrij bewegen.	Verwijder de starterkap en reinig rond de starterpallen.
		Zoek hulp van een erkende servicewerkplaats.
Brandstoftank.	Verkeerd type brandstof.	Tap de brandstoftank af en vul hem met de juiste brandstof.
Bougie.	De bougie is vies of nat.	Zorg ervoor dat de bougie droog en schoon is.
	De elektrodenafstand van de bougie is onjuist.	Bougie reinigen. Controleer of de afstand tussen de elektroden juist is. Zorg ervoor dat de bougie een onderdrukking heeft.
	De bougie zit los.	Draai de bougie vast.

### De motor start, maar stopt weer

Controle	Mogelijke oorzaak	Procedure
Brandstoftank.	Verkeerd type brandstof.	Leeg de brandstoftank en vul hem met de juiste brandstof.
Luchtfilter.	Het luchtfilter is verstopt.	Maak het luchtfilter schoon.

---

## Transport en opslag

---

### Transport en opslag

- Bewaar en vervoer het product en brandstof op dusdanige wijze dat eventuele lekkage en dampen niet in contact kunnen komen met vonken of open vuur, bijvoorbeeld van elektrische machines, elektrische motoren, stopcontacten/schakelaars, verwarmingsketels e.d.
- Bij opslag en vervoer van brandstof moeten altijd speciaal voor dat doel bestemde en goedgekeurde tanks worden gebruikt.
- Als het product gedurende lange tijd niet gebruikt zal worden, moet de brandstoftank leeggemaakt worden. Vraag bij uw tankstation waar u de afgetapte brandstof kunt afvoeren. Tap de tank af in de juiste reservoirs in een goed geventileerde ruimte.
- Zorg ervoor dat het product goed is schoongemaakt en dat een volledige servicebeurt is gegeven voor een lange periode van opslag.
- De transportbescherming van de snijuitrusting moet tijdens vervoer of opslag van het product altijd zijn aangebracht.
- Zet het product vast tijdens transport.
- Om een ongewenste start van de motor te voorkomen, moet de bougiekap altijd worden verwijderd wanneer het product voor lange tijd wordt opgeslagen, wanneer het product niet onder toezicht staat en bij alle servicemaatregelen die worden uitgevoerd.
- Laat het product afkoelen voordat u het in de stallingsruimte plaatst.

---

## Technische gegevens

---

### Technische gegevens

	<b>525LK</b>
<b>Motor</b>	
Cilinderinhoud, cm <sup>3</sup>	25,4
Stationair toerental, tpm	3000
Aanbevolen maximum toerental, tpm	9500
Toerental van uitgaan as, tpm	6500
Max. motorvermogen volgens ISO 8893, kW/pk bij tpm	1,5 / bij 8500
Geluiddemper met katalysator	Ja
<b>Ontstekingsstelsel</b>	
Bougie	NGK BPMR8Y
Elektrodenafstand, mm	0,65
<b>Brandstof-/smeersysteem</b>	
Fabrikant/carburateurtype	Walbro WTEA-8C
Inhoud brandstoftank, liter	0,51
<b>Gewicht</b>	
Zonder brandstof, snijuitrusting en beschermkap, kg	4,7

	525LK
<b>Geluidsemisies</b> <sup>5</sup>	
Geluidsvermogeniveau, gemeten dB(A)	104
Geluidsvermogeniveau, gegarandeerd L <sub>WA</sub> dB (A)	106
<b>Geluidsniveau</b> <sup>6</sup>	
Equivalent geluidsdrukkniveau bij het oor van de gebruiker, gemeten volgens EN/ISO 11806 en ISO 7917, dB(A), min/max:	
Uitgerust met trimmerkop (origineel)	99
<b>Trillingsniveau</b>	
Equivalent trillingsniveaus (a <sub>hv,eq</sub> ) aan de handgrepen, gemeten in overeenstemming met EN ISO 11806 en ISO 22867, m/s <sup>2</sup> :	
Uitgerust met trimmerkop (origineel), links/rechts	3,0/3,3

## Accessoires

### Accessoires

De accessoires worden aanbevolen voor gebruik in combinatie met de gespecificeerde koppen en zijn door het Swedish Machinery Testing Institute volgens geldende ISO- en EN-veiligheidsnormen geëvalueerd.

Goedgekeurde accessoires	Type accessoire	Beschermkap voor de snijuitrusting, artikelnr.
Schroefdraad bladas M10		
Kunststof messen	Tricut Ø 255 mm (losse bladen hebben onderdeelnummer 531 01 77-15)	588 54 37-01 / 588 11 79-01 503 93 42-02 / 503 97 71-01
	Tricut Ø 300 mm (losse bladen hebben onderdeelnummer 531 01 77-15)	588 54 37-01

<sup>5</sup> Geluidsemisie naar de omgeving gemeten als geluidsvermogen (L<sub>WA</sub>) volgens EG-richtlijn 2000/14/EG. Het gerapporteerde geluidsvermogeniveau voor de machine is gemeten met de originele snijuitrusting die het hoogste niveau geeft. Het verschil tussen gegarandeerd en gemeten geluidsvermogen is dat het gegarandeerde geluidsvermogen ook spreiding in het meetresultaat omvat en de verschillen tussen de verschillende machines van hetzelfde model conform Richtlijn 2000/14/EG.

<sup>6</sup> De gerapporteerde gegevens voor een equivalent geluidsdrukkniveau vertonen een typische statistische spreiding (standaardafwijking) van 1 dB (A).

Goedgekeurde accessoires	Type accessoire	Beschermkap voor de snijtrusting, artikelnr.
Trimmerkop	Trimmy Fix (Ø 2,4 mm draad)	588 54 37-01 / 588 11 79-01 503 93 42-02 / 503 97 71-01
	Superauto II (Ø 2,4-2,7 mm draad)	588 54 37-01 / 588 11 79-01 503 93 42-02 / 503 97 71-01
	S35 (Ø 2,4-3,0 mm draad)	588 54 37-01 / 588 11 79-01 503 93 42-02 / 503 97 71 01
	T25 (Ø 2,0-2,7 mm draad)	588 54 37-01 / 588 11 79-01 503 93 42-02 / 503 97 71-01
	T35, T35x (Ø 2,4-3,0 mm draad)	588 54 37-01 / 588 11 79-01 503 93 42-02 / 503 97 71-01
	Legering (Ø 2,0-3,3 mm draad)	588 54 37-01 / 588 11 79-01 503 93 42-02 / 503 97 71-01

Goedgekeurde accessoires	Gebruik met
Veegopzetstuk SR600-2	525LK
Opzetstuk heggenschaar HA110	525LK
Opzetstuk heggenschaar HA850	525LK
Opzetstuk kantensnijder EA850	525LK
Zaagopzetstuk PA1100	525LK
Trimmeropzetstuk TA850	525LK
Accessoire verlengstuk EX850	525LK
Opzetstuk cultivator CA230	525LK
Opzetstuk blazer BA101	525LK
Accessoire borstel BR600	525LK
Accessoire voor verticuteren DT600	525LK
Accessoire voor bosmaaier BCA850-24	525LK

---

# EG verklaring van overeenstemming

---

## EG-conformiteitsverklaring

**Husqvarna AB**, SE-561 82 Huskvarna, Zweden, tel: +46-36-146500, verklaart dat de trimmers **Husqvarna 525LK** met serienummers van 2016 en later (het jaar staat duidelijk op het productplaatje vermeld, gevolgd door het serienummer) voldoet aan de eisen die zijn opgenomen in de RICHTLIJNEN VAN DE RAAD:

- van 17 mei 2006 "met betrekking tot machines" **2006/42/EG**
- van 26 februari 2014 "betreffende elektromagnetische compatibiliteit" **2014/30/EU**
- van 8 mei 2000 "met betrekking tot geluidsemissies in het milieu" **2000/14/EG**. Conformiteitsbeoordeling volgens bijlage V. Raadpleeg *Technische gegevens op pagina 68* voor informatie betreffende geluidsemissie.
- van 8 juni 2011 "inzake beperking van het gebruik van bepaalde gevaarlijke stoffen in elektrische en elektronische apparatuur" **2011/65/EU**

De volgende normen zijn van toepassing:

**EN ISO 12100:2010, EN ISO 11806-1:2011, ISO 14982:2009, CISPR 12:2009, EN 50581:2012**

RISE SMP Svensk Maskinprovning AB, Box 7035, SE-750 07 Uppsala, Sweden,, heeft namens Husqvarna AB een niet-verplicht typeonderzoek uitgevoerd. De certificaten hebben nummer: **SEC/13/2382** - 525LK

Huskvarna, 2016-03-30



Per Gustafsson, Hoofd Ontwikkeling (gemachtigde vertegenwoordiger voor Husqvarna AB en verantwoordelijk voor technische documentatie)

---

## Inhalt

---

Einleitung.....	72	Fehlerbehebung.....	90
Sicherheit.....	74	Transport und Lagerung.....	91
Montage.....	80	Technische Angaben.....	92
Betrieb.....	82	Zubehör.....	93
Wartung.....	87	EU-Konformitätserklärung.....	95

---

## Einleitung

---

### Produktbeschreibung

Das Gerät ist ein Rasentrimmer mit einem Verbrennungsmotor.

Wir arbeiten laufend daran, Ihre Sicherheit und die Effektivität während des Betriebs zu verbessern. Ihr Servicehändler steht Ihnen gern für weitere Informationen zur Verfügung.

### Verwendungszweck

Das Gerät kann mit einem Trimmerkopf zum Grasmähen verwendet werden. Verwenden Sie das

Gerät nicht für andere Zwecke als Grastrimmen und Gasfreischneiden.

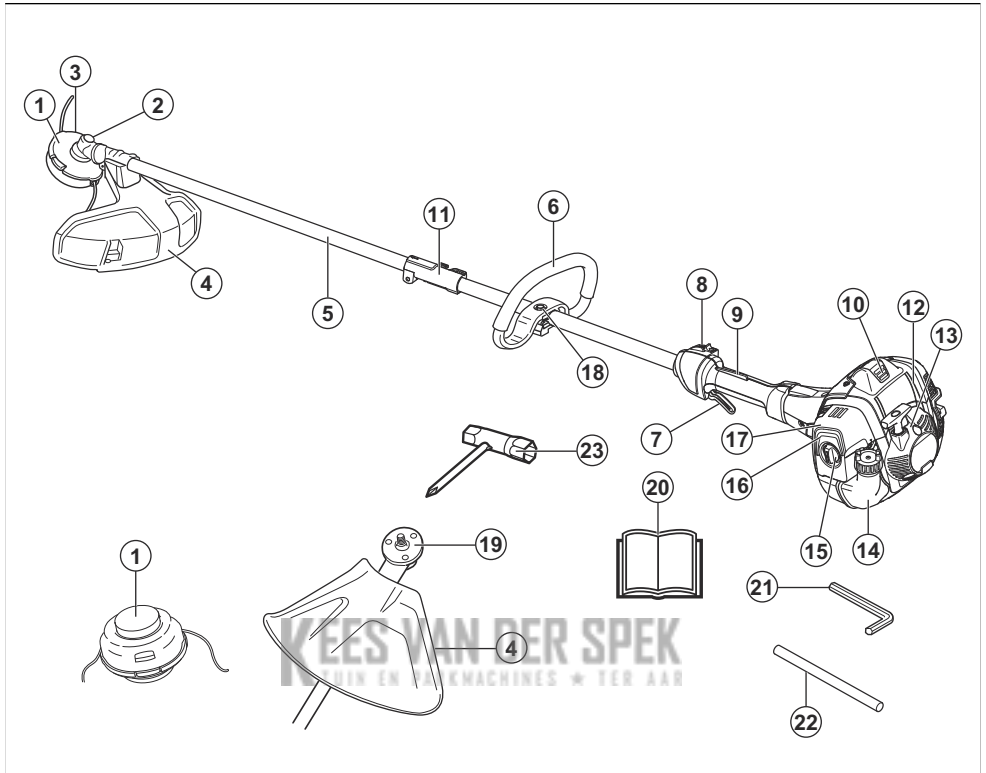
---

**Hinweis:** Nationale oder regionale Bestimmungen regeln ggf. die Verwendung. Die festgelegten Bestimmungen erfüllen.

---

**KEES VAN DER SPEK**  
TUIN EN PARKMACHINES ★ TER AAR

## Produktübersicht



1. Trimmerkopf
2. Einfüllöffnung für Fett
3. Winkelgetriebe
4. Schutz für die Schneid-ausrüstung
5. Welle
6. Loophandgriff
7. Gashebel
8. Stoppschalter
9. Gashebelsperre
10. Zündkappe und Zündkerze
11. Führungsrohrverbindung
12. Zylinderdeckel
13. Startseilhandgriff
14. Kraftstofftank
15. Luftfilterdeckel
16. Kraftstoffpumpe
17. Choke-Hebel
18. Handgriffeinstellung
19. Mitnehmerrad
20. Bedienungsanleitung

21. Inbusschlüssel
22. Sperrstift
23. Gabel-Ringschlüssel

### Symbole auf dem Gerät



**WARNUNG!** Gehen Sie vorsichtig vor und verwenden Sie das Gerät ordnungsgemäß. Dieses Gerät kann schwere Verletzungen des Bedieners oder anderer Personen verursachen.



Lesen Sie die Bedienungsanleitung und machen Sie sich mit den Anweisungen vertraut, bevor Sie das Gerät verwenden.



Tragen Sie einen Schutzhelm dort, wo Gegenstände auf Sie fallen können. Tragen Sie einen zugelassenen Gehörschutz. Tragen Sie einen zugelassenen Augenschutz.



Tragen Sie zugelassene Schutzhandschuhe.



Tragen Sie robuste und rutschfeste Schuhe.



Das Gerät kann Objekte umherschleudern und Augenverletzungen verursachen.



Maximale Drehzahl der Abtriebswelle.



Halten Sie während des Betriebs des Geräts einen Mindestabstand von 15 m zu Personen oder Tieren ein.



Verwenden Sie nur einen flexiblen Schneidfaden. Verwenden Sie keine Metall-Schneidausrüstung zum Rasentrimmen.



Die Pfeile zeigen die Begrenzungen für die Position des Griffs.



Kraftstoffpumpe.



Choke



Kraftstoff.



Umweltbelastende Geräuschemissionen entsprechen den maßgeblichen EG-Richtlinien. Die Geräuschemission des Geräts ist in [xref] und auf dem Etikett angegeben.



Dieses Gerät entspricht den geltenden EG-Richtlinien.

yyyywwxxxx

Das Typenschild zeigt die Seriennummer. **yyyy** ist das Produktionsjahr, **ww** ist die Produktionswoche.

**Hinweis:** Sonstige Symbole/Aufkleber am Gerät beziehen sich auf Zertifizierungsanforderungen, die in bestimmten Ländern gelten.

## EU V



**WARNUNG:** Bei einem Eingriff in den Motor erlischt die EU-Typgenehmigung für dieses Produkt.

## Produkthaftung

Im Sinne der Produkthaftungsgesetze übernehmen wir keine Haftung für Schäden, die unser Gerät verursacht, wenn...

- das Gerät nicht ordnungsgemäß repariert wurde.
- das Gerät mit Teilen repariert wurde, die nicht vom Hersteller stammen oder vom Hersteller zugelassen sind.
- ein Zubehörteil mit dem Gerät verwendet wird, das nicht vom Hersteller stammt oder vom Hersteller zugelassen ist.
- das Gerät nicht bei einem zugelassenen Service Center oder von einer zugelassenen offiziellen Stelle repariert wurde.

# Sicherheit

## Sicherheitsdefinitionen

Warnungen, Vorsichtsmaßnahmen und Hinweise werden verwendet, um auf besonders wichtige Teile der Bedienungsanleitung hinzuweisen.



**WARNUNG:** Wird verwendet, wenn bei Nichtbeachtung der Anweisungen in diesem Handbuch die Gefahr von Verletzung oder

Tod des Bedieners oder anderer Personen besteht.



**ACHTUNG:** Wird verwendet, wenn bei Nichtbeachtung der Anweisungen in diesem Handbuch die Gefahr von Schäden am Gerät, an anderen Materialien oder in der Umgebung besteht.

---

**Hinweis:** Für weitere Informationen, die in bestimmten Situationen nötig sind.

---

## Allgemeine Sicherheitshinweise

---



**WARNUNG:** Lesen Sie die folgenden Warnhinweise, bevor Sie das Gerät benutzen.

---

- Falsch oder nachlässig angewendete Freischneider, Motorsensen oder Trimmer sind gefährliche Geräte, die zu schweren Verletzungen oder tödlichen Unfällen von Anwendern oder anderen Personen führen können. Es ist sehr wichtig, dass Sie den Inhalt dieser Bedienungsanleitung gelesen und verstanden haben.
- Unter keinen Umständen darf die ursprüngliche Konstruktion des Gerätes ohne Genehmigung des Herstellers geändert werden. Arbeiten Sie niemals mit einem Gerät, das ohne Zustimmung des Herstellers modifiziert wurde und verwenden Sie stets Originalzubehör. Unzulässige Änderungen und/oder unzulässiges Zubehör können zu schweren oder sogar tödlichen Verletzungen des Anwenders oder anderer Personen führen.
- Der Schalldämpfer enthält Chemikalien, die karzinogen sein können. Falls der Schalldämpfer beschädigt wird, vermeiden Sie es, mit diesen Stoffen in Kontakt zu kommen.
- Dieses Gerät erzeugt beim Betrieb ein elektromagnetisches Feld. Dieses Feld kann sich unter bestimmten Bedingungen auf die Funktionsweise aktiver oder passiver medizinischer Implantate auswirken. Um die Gefahr von Situationen, die zu schweren oder tödlichen Verletzungen führen können, auszuschließen, sollten Personen mit einem medizinischen Implantat vor der Nutzung dieses Gerätes ihren Arzt und den Hersteller des Implantats konsultieren.

## Sicherheitshinweise für den Betrieb

---



**WARNUNG:** Lesen Sie die folgenden Warnhinweise, bevor Sie das Gerät benutzen.

---

- Vor der Anwendung müssen Sie den Unterschied zwischen Grasfreischneiden und Grastrimmen verstehen.
  - Wenn Sie in eine Situation kommen, die Sie in Bezug auf die weitere Anwendung des Geräts verunsichert, lassen Sie sich von einem Experten beraten. Wenden Sie sich an Ihren Fachhändler oder Ihre Servicewerkstatt. Vermeiden Sie, Arbeiten auszuführen, denen Sie sich nicht gewachsen fühlen.
  - Arbeiten Sie niemals mit einem defekten Gerät. Befolgen Sie die die Kontroll-, Wartungs- und Serviceanweisungen in dieser
- Bedienungsanleitung. Gewisse Wartungs- und Servicemaßnahmen sind von geschulten, qualifizierten Fachleuten auszuführen. Siehe *Wartung auf Seite 87*.
- Vor dem Starten des Geräts müssen sämtliche Abdeckungen, Schutzvorrichtungen und Griffe angebracht sein. Stellen Sie sicher, dass Zündkerzenschutz und Zündkabel unverehrt sind, um die Gefahr von elektrischen Schlägen auszuschließen.
  - Verwenden Sie das Gerät niemals, wenn Sie müde sind, Alkohol getrunken oder Medikamente eingenommen haben, die Ihre Sehkraft, Urteilsvermögen oder Körperkontrolle beeinträchtigen können.
  - Vermeiden Sie es, das Gerät bei schlechtem Wetter zu benutzen. Z. B. bei dichtem Nebel, starkem Regen oder Wind, großer Kälte usw. Bei schlechtem Wetter ist das Arbeiten nicht nur ermüdend, es können außerdem gefährliche Arbeitsbedingungen entstehen, z. B. glatter Boden, unberechenbare Fällrichtung des Baumes usw.
  - Diese Motoreinheit darf nur mit der empfohlenen Schneidausrüstung verwendet werden. Siehe *Zubehör auf Seite 93*.
  - Erlauben Sie niemals Kindern, das Gerät zu benutzen oder sich in seiner Nähe aufzuhalten. Da das Gerät mit einem rückfedernden Start-/Stopp-Schalter ausgerüstet ist und mit geringer Geschwindigkeit und Kraft am Starthandgriff gestartet werden kann, können u. U. auch kleine Kinder die Kraft aufbringen, die zum Starten erforderlich ist. Dies kann zu schweren Verletzungen führen. Daher ist stets die Zündkappe zu entfernen, wenn das Gerät ohne Aufsicht ist.
  - Einen Motor in einem geschlossenen oder schlecht belüfteten Raum laufen zu lassen, kann zum Tod durch Ersticken oder Kohlenmonoxidvergiftung führen.
  - Das komplette Kupplungsgehäuse und das Führungsrohr müssen montiert sein, bevor das Gerät gestartet wird, andernfalls kann sich die Kupplung lösen und Verletzungen verursachen.
  - Stellen Sie sicher, dass Menschen und Tiere während der Verwendung einen Abstand von mindestens 15 Metern einhalten. Wenn mehrere Bediener im gleichen Bereich arbeiten, muss ein Sicherheitsabstand von mindestens 15 m eingehalten werden. Andernfalls besteht die Gefahr von schweren Verletzungen. Stellen Sie das Gerät sofort ab, wenn sich Personen oder Tiere nähern. Drehen Sie sich niemals mit dem Gerät abrupt um, ohne vorher sicherzustellen, dass sich hinter Ihnen niemand innerhalb der Sicherheitszone befindet.
  - Stellen Sie sicher, dass weder Menschen noch Tiere oder andere Dinge die Kontrolle des Geräts beeinflussen oder mit der Schneidausrüstung oder umherfliegenden Gegenständen in Berührung kommen. Sie dürfen das Gerät niemals benutzen,

wenn im Falle eines Unfalls nicht die Möglichkeit besteht, Hilfe herbeizurufen.

- Kontrollieren Sie immer den Arbeitsbereich. Entfernen Sie alle losen Gegenstände, z. B. Steine, Glasscherben, Nägel, Drähte, Schnüre, usw., die weggeschleudert werden oder sich in der Schneidausrüstung verfangen können.
- Vergewissern Sie sich, dass Sie sicher gehen und stehen können. Achten Sie auf eventuelle Hindernisse (Wurzeln, Steine, Äste, Löcher, Gräben usw.), wenn Sie unvermittelt Ihren Standort wechseln. Beim Arbeiten auf abschüssigem Boden müssen Sie immer sehr vorsichtig sein.



- Nehmen Sie stets eine sichere Arbeitsstellung mit festem Stand ein. Sorgen Sie für einen festen Stand.
- Halten Sie das Gerät stets mit beiden Händen. Halten Sie das Gerät auf der rechten Seite des Körpers.
- Die Schneidausrüstung muss sich unterhalb der Taille befinden.
- Beim Weitergehen ist der Motor abzustellen. Bei längeren Wegstrecken und Transporten müssen Sie den Transportschutz anwenden.
- Stellen Sie das Gerät niemals mit laufendem Motor unbeaufsichtigt ab.
- Stoppen Sie den Motor und die Schneidausrüstung, bevor Sie Material entfernen, das sich um die Klingenwelle festgesetzt hat. Weder der Benutzer des Geräts noch andere Personen dürfen versuchen, das Mähgut aufzusammeln, solange der Motor läuft oder die Schneidausrüstung rotiert, weil dadurch schwere Verletzungen verursacht werden können. Während des Betriebs und eine Weile danach kann das Winkelgetriebe heiß sein. Beim Berühren besteht Verbrennungsgefahr.
- Achten Sie auf hochgeschleuderte Gegenstände. Tragen Sie immer einen zugelassenen Augenschutz. Beugen Sie sich niemals über den Schutz der Schneidausrüstung. Hochgeschleuderte Steine, Unrat usw. können die Augen treffen und Blindheit oder schwere Verletzungen verursachen.
- Manchmal setzen sich Äste oder Gras zwischen Schutz und Schneidausrüstung fest. Stellen Sie immer den Motor ab, bevor Sie das Gerät reinigen.

- Lassen Sie nach jedem Arbeitsmoment den Motor im Leerlauf laufen. Längerer Betrieb bei hoher Drehzahl ohne Belastung kann schwere Motorschäden verursachen.
- Achten Sie immer genau auf Warnsignale oder Rufe, wenn Sie den Gehörschutz tragen. Nehmen Sie den Gehörschutz immer ab, sobald der Motor abgestellt ist.
- Personen mit Kreislaufstörungen, die zu oft Vibrationen ausgesetzt werden, laufen Gefahr, Schäden an den Blutgefäßen oder am Nervensystem davonzutragen. Gehen Sie zum Arzt, wenn Sie an Ihrem Körper Symptome feststellen, die darauf hinweisen, dass Sie übermäßigen Vibrationen ausgesetzt waren. Einschlafen von Körperteilen, Gefühlsverlust, Kitzeln, Stechen, Schmerz, Verlust oder Beeinträchtigung der normalen Körperkraft, Veränderungen der Hautfarbe oder der Hautbeschaffenheit. Diese Symptome treten üblicherweise in Fingern, Händen und Handgelenken auf.
- Verwenden Sie kein Gerät mit defekter Zündkappe.
- Verwenden Sie kein Gerät mit defektem Schalldämpfer.
- Halten Sie mit allen Körperteilen ausreichenden Abstand zu Schneidausrüstung und heißen Oberflächen.
- Verwenden Sie niemals ein Gerät mit defektem Schalldämpfer.
- Verwenden Sie das Gerät niemals in Innenbereichen, in der Nähe von entflammbarem Material oder an Orten ohne ausreichende Belüftung. Die Abgase des Motors enthalten Kohlenmonoxid, ein geruchloses, giftiges und sehr gefährliches Gas. Außerdem sind die Abgase heiß und könnten Funken erzeugen, die einen Brand verursachen können.

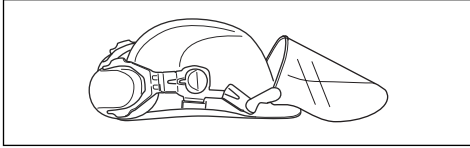
## Persönliche Schutzausrüstung



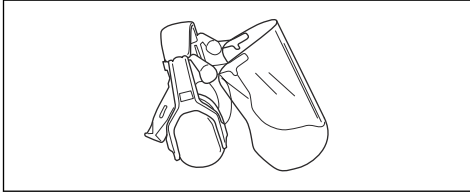
**WARNUNG:** Lesen Sie die folgenden Warnhinweise, bevor Sie das Gerät benutzen.

- Verwenden Sie stets die vorgeschriebene persönliche Schutzausrüstung bei der Benutzung des Geräts. Die persönliche Schutzausrüstung kann Verletzungen nicht vollständig vermeiden, vermindert aber den Umfang der Verletzungen und Schäden bei einem Unfall. Lassen Sie sich von Ihrem Händler bei der Auswahl der richtigen Ausrüstung unterstützen.

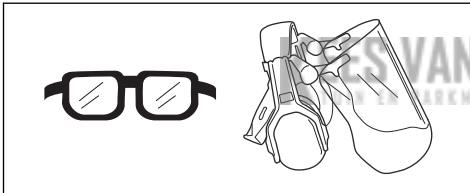
- Tragen Sie einen Schutzhelm in Bereichen, in denen Gefahr durch herabfallende Gegenstände bestehen kann.



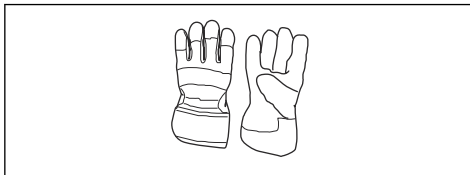
- Tragen Sie einen Gehörschutz mit ausreichender Dämmwirkung. Eine längerfristige Beschallung mit Lärm kann zu bleibenden Gehörschäden führen.



- Tragen Sie einen zugelassenen Augenschutz. Bei der Benutzung eines Visiers ist auch eine zugelassene Schutzbrille zu tragen. Zugelassene Schutzbrillen sind in diesem Falle diejenigen, die die Normen ANSI Z87.1 für die USA bzw. EN 166 für EU-Länder erfüllen.



- Tragen Sie bei Bedarf Schutzhandschuhe, beispielsweise bei der Montage, der Untersuchung oder der Reinigung der Schneidausrüstung.



- Tragen Sie Schutzstiefel mit Stahlkappen und rutschfesten Sohlen.



- Tragen Sie Kleidung aus reißfestem Material. Tragen Sie stets eng anliegende Kleidung, lange Hosen aus schwerem Stoff und lange Ärmel. Tragen Sie keine weite Kleidung, die sich leicht an Ästen und Zweigen verfangen könnte. Vermeiden Sie das Tragen von Schmuck, kurzen Hosen und Sandalen. Gehen Sie nicht barfuß. Binden Sie Ihre Haare sicherheitsshalber zusammen, sodass sie nicht über Ihre Schulter fallen.
- Halten Sie eine Erste-Hilfe-Ausrüstung und einen Feuerlöscher griffbereit.



### Sicherheitsvorrichtungen am Gerät



**WARNUNG:** Lesen Sie die folgenden Warnhinweise, bevor Sie das Gerät benutzen.

In diesem Abschnitt werden einzelnen Teile der Sicherheitsausrüstung des Gerätes beschrieben, welche Funktion sie haben und wie ihre Kontrolle und Wartung ausgeführt werden sollen, um sicherzustellen, dass sie funktionsfähig sind. Die Einbaulage dieser Komponenten ist unter der Überschrift *Produktübersicht auf Seite 73* gelistet.

Die Lebensdauer der Maschine kann verkürzt werden und die Unfallgefahr kann steigen, wenn die Wartung des Geräts nicht ordnungsgemäß und Service und/oder Reparaturen nicht fachmännisch ausgeführt werden. Wenden Sie sich für weitere Informationen an Ihre Vertragswerkstatt.



**WARNUNG:** Benutzen Sie kein Gerät mit defekten Sicherheitsvorrichtungen. Die Sicherheitsausrüstung des Gerätes muss so kontrolliert und gewartet werden, wie dies in diesem Abschnitt beschrieben wird. Wenn Ihr Gerät diesen Anforderungen nicht entspricht, muss eine Servicewerkstatt aufgesucht werden.



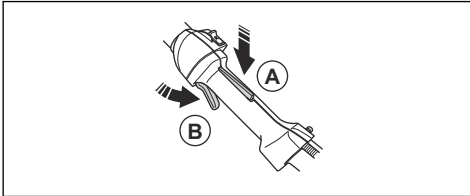
**ACHTUNG:** Service und Reparatur des Gerätes erfordern eine Spezialausbildung. Dies gilt besonders für die Sicherheitsausrüstung des Geräts. Wenn Ihr Gerät den unten aufgeführten Kontrollanforderungen nicht entspricht, müssen Sie Ihre Servicewerkstatt aufsuchen. Beim Kauf eines unserer Produkte wird gewährleistet, dass Reparatur- oder Servicearbeiten fachmännisch ausgeführt werden. Sollte der Verkäufer Ihres Gerätes nicht an unser

Fachhändler-Service-Netz angeschlossen sein, fragen Sie nach unserer nächstgelegenen Servicewerkstatt.

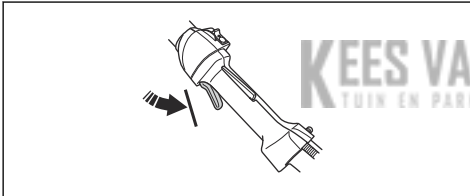
### So prüfen Sie die Gashebelsperre

Die Gashebelsperre soll die unbeabsichtigte Betätigung des Gashebels verhindern.

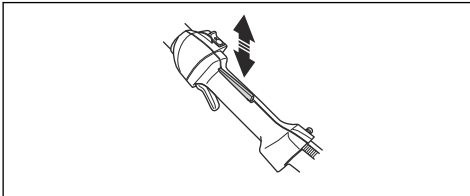
1. Drücken Sie die Gashebelsperre (A) und stellen Sie sicher, dass der Gashebel gelöst ist (B). Wird der Handgriff losgelassen, werden Gashebel und Gashebelsperre wieder in ihre Ausgangsstellung zurückgestellt. Dies geschieht mit Hilfe von zwei voneinander unabhängigen Rückzugfedersystemen. Diese Stellung bedeutet, dass der Gashebel im Leerlauf automatisch verriegelt wird.



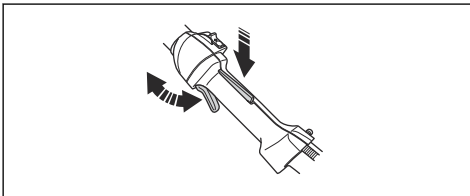
2. Stellen Sie sicher, dass der Gashebel in der Leerlaufstellung verriegelt ist, wenn die Gashebelsperre gelöst wird.



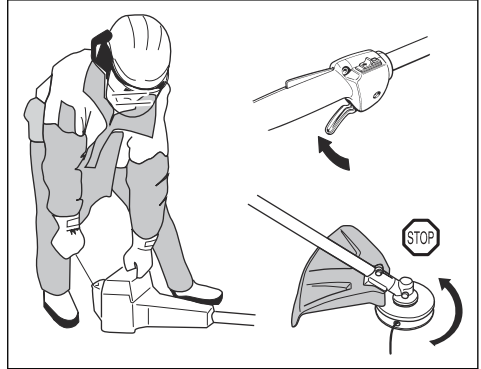
3. Drücken Sie die Gashebelsperre nach unten und kontrollieren Sie, ob sie in die Ausgangsstellung zurückkehrt, wenn sie losgelassen wird.



4. Kontrollieren Sie, ob Gashebel und Gashebelsperre mit dem dazugehörigen Rückzugfedersystem leicht funktionieren.

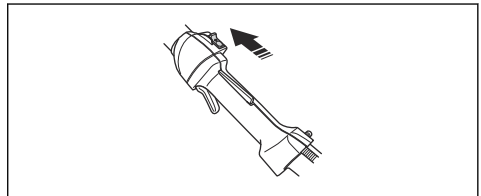


5. Starten Sie das Gerät (siehe Anweisungen unter *So starten Sie das Gerät auf Seite 85*) und geben Sie Vollgas.
6. Lassen Sie den Gashebel los und kontrollieren Sie, ob die Schneidausrüstung völlig zum Stillstand kommt. Wenn die Schneidausrüstung rotiert, während sich der Gashebel in Leerlaufstellung befindet, ist die LeerlaufEinstellung des Vergasers zu kontrollieren. Siehe Anweisungen unter der Überschrift *Wartung auf Seite 87*.



### So prüfen Sie den Start-/Stopp-Schalter

1. Starten Sie den Motor.
2. Stellen Sie den Start-/Stopp-Schalter auf die Position „Aus“ und stellen Sie sicher, dass der Motor zum Stillstand kommt.



### So prüfen Sie die Schutzvorrichtung der Schneidausrüstung

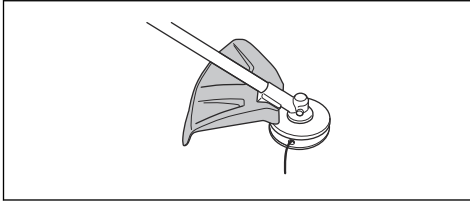


**WARNUNG:** Verwenden Sie keine Schneidausrüstung ohne eine zugelassene und ordnungsgemäß befestigte Schutzvorrichtung. Siehe *Zubehör auf Seite 93*.



**WARNUNG:** Verwenden Sie stets die empfohlene Schutzvorrichtung für die Schneidausrüstung, die Sie benutzen. Wenn eine falsche oder defekte Schutzvorrichtung montiert wird, können dadurch schwere Verletzungen verursacht werden. Siehe *Technische Angaben auf Seite 92*.

Die Schutzvorrichtung der Schneidausrüstung verhindert, dass der Bediener von umherfliegenden Gegenständen getroffen wird. Sie verhindert außerdem Verletzungen, wenn Sie mit der Schneidausrüstung in Kontakt kommen.



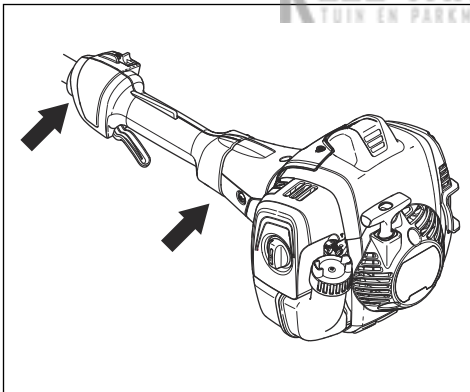
1. Führen Sie eine Sichtkontrolle auf Beschädigungen (z. B. Risse) durch.
2. Tauschen Sie den Schutz für die Schneidausrüstung aus, wenn er beschädigt ist.

### So prüfen Sie das Antivibrationssystem



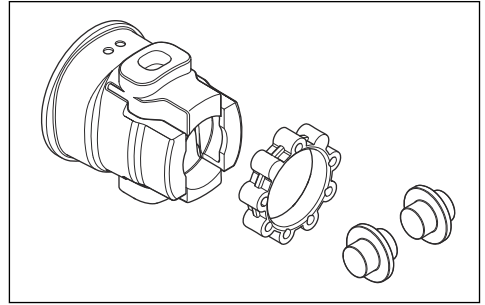
**WARNUNG:** Wenn der Faden falsch gewickelt ist oder die falsche Schneidausrüstung benutzt wird, verstärken sich die Vibrationen.

Das Antivibrationssystem verringert Vibrationen in den Griffen auf ein Minimum, wodurch die Arbeit erleichtert wird. Das Antivibrationssystem reduziert die Vibrationen zwischen Motor- und Welleneinheit.

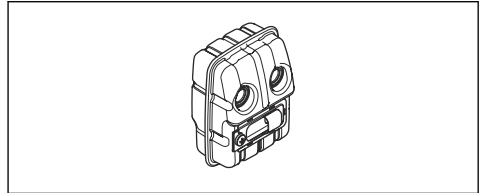


1. Stoppen Sie den Motor.
2. Führen Sie eine Sichtkontrolle auf Verformungen und Beschädigungen (z. B. Risse) durch.

3. Stellen Sie sicher, dass die Teile des Antivibrationssystems korrekt angebracht sind.

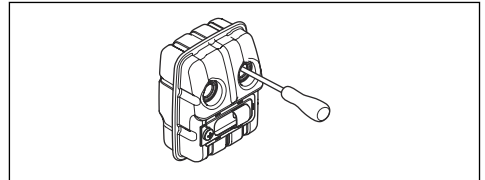


### So prüfen Sie den Schalldämpfer



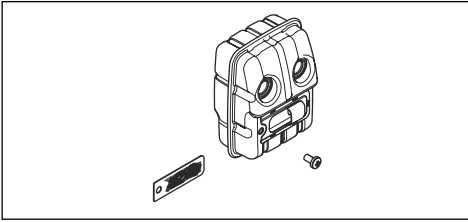
Der Schalldämpfer senkt den Geräuschpegel so weit wie möglich und hält die Abgase des Motors vom Bediener fern.

- Führen Sie eine Sichtkontrolle auf Beschädigungen und Verformungen durch.
- Stellen Sie sicher, dass der Schalldämpfer korrekt am Gerät montiert ist.



- Wenn der Schalldämpfer an Ihrem Gerät einen Funkenschutz hat, führen Sie eine Sichtkontrolle durch. Tauschen Sie den Funkenschutz aus, wenn er beschädigt ist.
  - a) Reinigen Sie den Funkenschutz, wenn er schmutzig ist. Ein schmutziger Funkenschutz führt zur Überhitzung des Motors, was Schäden am Motor zur Folge hat.

- b) Stellen Sie sicher, dass das Funkenfängernetz korrekt angebracht ist.



### Sicherer Umgang mit Kraftstoff:



**WARNUNG:** Lesen Sie die folgenden Warnhinweise, bevor Sie das Gerät benutzen.

- Starten Sie das Gerät niemals, wenn Sie Kraftstoff darauf verschütten. Wischen Sie den verschütteten Kraftstoff vollständig ab und lassen Sie die Kraftstoffdämpfe verdunsten.
- Starten Sie das Gerät niemals, wenn Sie Kraftstoff über sich selbst oder Ihre Kleidung verschüttet haben. Wechseln Sie Ihre Kleidung und waschen Sie alle Körperteile, die mit Kraftstoff in Kontakt gekommen sind. Verwenden Sie Wasser und Seife.
- Starten Sie das Gerät niemals, wenn Kraftstoff austritt. Überprüfen Sie den Tankdeckel und die Kraftstoffleitungen regelmäßig auf Undichtigkeiten.
- Setzen Sie das Gerät stets auf einer ebenen Fläche ab und stellen Sie sicher, dass die Schneidausrüstung nicht in Kontakt mit Gegenständen kommt, während Sie Kraftstoff einfüllen.
- Seien Sie vorsichtig beim Umgang mit Kraftstoff. Denken Sie an die Brand- und Explosionsgefahr sowie das Risiko, toxische Dämpfe einzusatmen.
- Beim Umgang mit Kraftstoff ist daher Vorsicht geboten und für eine gute Belüftung zu sorgen. Wenn kleine Kraftstoffmengen gemischt werden, wirken sich auch kleine Abweichungen bei der Ölmenge stark auf das Mischungsverhältnis aus.
- Mischen und gießen Sie den Kraftstoff draußen in Abwesenheit von Funken und Flammen ein.

- In der Nähe von Kraftstoff nicht rauchen und jegliche Wärmequellen vom Kraftstoff fernhalten.
- Den Motor abstellen und vor dem Betanken einige Minuten abkühlen lassen.
- Öffnen Sie den Tankdeckel stets vorsichtig, sodass sich ein evtl. vorhandener Überdruck langsam abbauen kann.
- Schließen Sie den Tankverschluss nach dem Füllen sorgfältig.
- Wischen Sie um den Tankdeckel herum ab. Verunreinigungen im Tank verursachen Betriebsstörungen.
- Bewegen Sie das Gerät vor dem Start stets mindestens 3 Meter aus dem Auftankbereich und von der Auftankquelle weg.

### Sicherheitshinweise für die Wartung



**WARNUNG:** Stellen Sie den Motor immer ab, bevor jedwede Arbeiten an der Schneidausrüstung ausgeführt werden. Die Schneidausrüstung rotiert noch weiter, nachdem der Gashebel losgelassen wurde. Kontrollieren Sie, ob die Schneidausrüstung völlig stillsteht. Ziehen Sie die Zündkerze ab, bevor Sie mit der Arbeit an der Schneidausrüstung beginnen.



**WARNUNG:** Eine defekte Schneidausrüstung kann die Unfallgefahr erhöhen.



**WARNUNG:** Achten Sie stets darauf, dass der Trimmerfaden fest und gleichmäßig auf die Rolle gewickelt wird, andernfalls werden im Gerät gesundheitsschädliche Vibrationen erzeugt.

- Verwenden Sie die Schneidausrüstung immer nur mit den von uns empfohlenen Schutzvorrichtungen! Siehe *Zubehör auf Seite 93*.

## Montage

### Einleitung



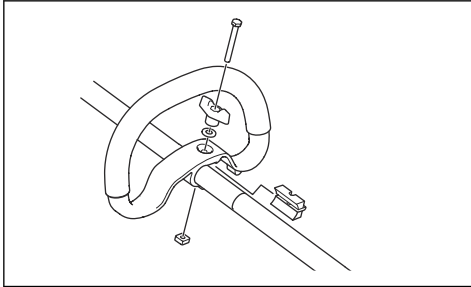
**WARNUNG:** Vor dem Betrieb des Gerätes müssen Sie die Sicherheitsinformationen lesen und verstehen.



**WARNUNG:** Ziehen Sie den Zündkerzenstecker von der Zündkerze ab, bevor Sie das Gerät zusammenbauen.

## So montieren Sie den Loophandgriff

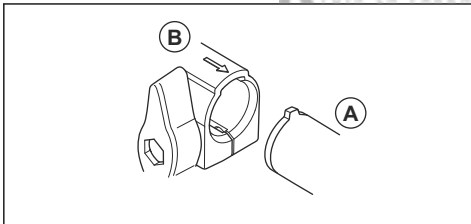
1. Befestigen Sie den Loophandgriff zwischen den Pfeilen auf dem Führungsrohr.



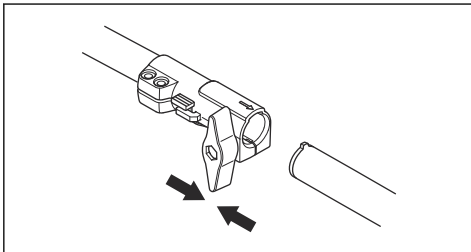
2. Schieben Sie den Abstandhalter in die Führung des Loophandgriffs.
3. Montieren Sie die Mutter, den Drehknopf und die Schraube. Ziehen Sie sie nicht vollständig an.
4. Bringen Sie das Gerät in eine geeignete Betriebsposition.
5. Ziehen Sie den Drehknopf an.

## So bauen Sie das zweiteilige Führungsrohr zusammen

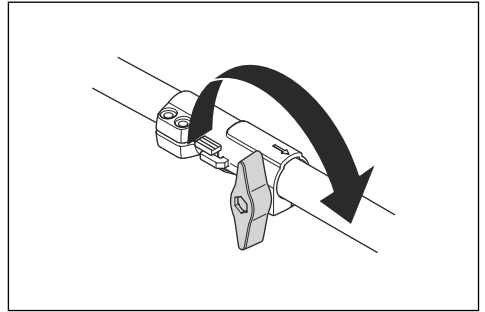
1. Drehen Sie den Knopf zum Lösen der Kupplung.
2. Richten Sie den Vorsprung an der Schneidausrüstung (A) mit dem Pfeil an der Kupplung (B) aus.



3. Drücken Sie das Führungsrohr vorsichtig in die Verbindung, bis Sie ein „Klicken“ hören.

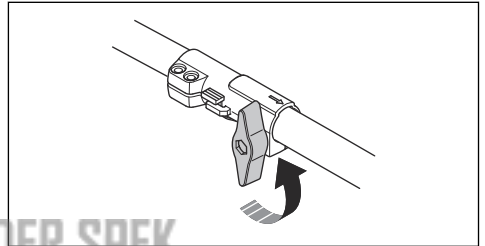


4. Ziehen Sie den Drehknopf vollständig fest.

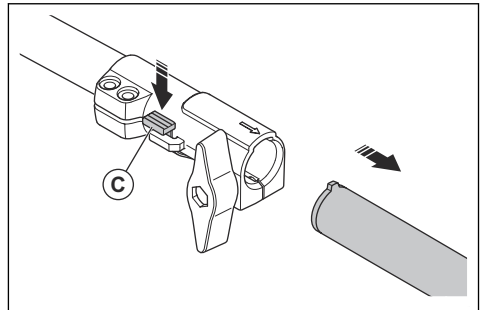


## So nehmen Sie das zweiteilige Führungsrohr auseinander

1. Drehen Sie den Knopf 3 Umdrehungen oder mehr, um die Kupplung zu lösen.



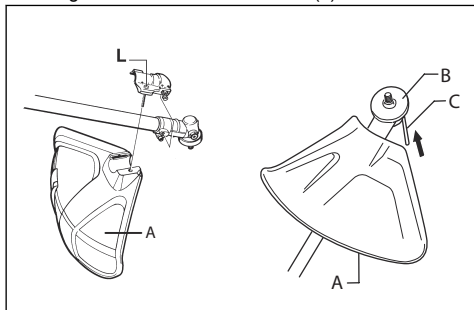
2. Halten Sie die Taste (C) gedrückt.
3. Halten Sie das Ende des Führungsrohrs fest, das am Motor befestigt ist.
4. Ziehen Sie das Verbindungsrohr aus der Schnellkupplung heraus.



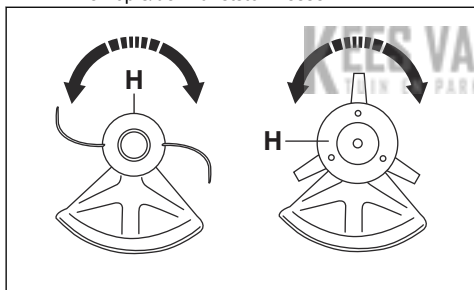
## So bauen Sie die Schutzvorrichtung der Schneidausrüstung und den Trimmerkopf ein

1. Setzen Sie die richtige Schutzvorrichtung für die Schneidausrüstung (A) für den Trimmerkopf ein. Siehe *Zubehör* auf Seite 93.

2. Befestigen Sie die Schutzvorrichtung der Schneid-ausrüstung an der Halterung am Führungsrohr.
3. Bringen Sie sie mit der Schraube (L) an.

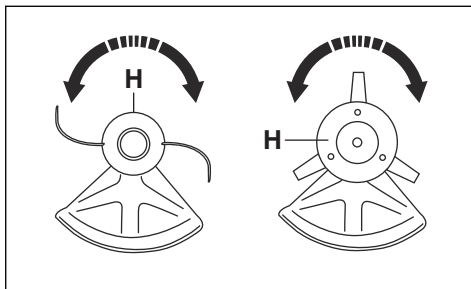


4. Montieren Sie das Mitnehmerrad (B) an der Abtriebswelle.
5. Drehen Sie die Abtriebswelle, bis sich eines der Löcher des Mitnehmers mit dem entsprechenden Loch im Getriebegehäuse deckt.
6. Stecken Sie den Sperrstift (C) in das Loch, so dass die Achse fixiert ist.
7. Drehen Sie den Trimmerkopf/die Kunststoffmesser (H) entgegen der Rotationsrichtung des Trimmerkopfs/der Kunststoffmesser.

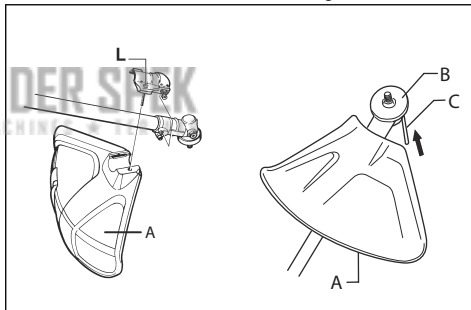


## So bauen Sie die Schutzvorrichtung der Schneid-ausrüstung und des Trimmerkopfes ein

1. Drehen Sie den Trimmerkopf/die Kunststoffmesser (H) in der Rotationsrichtung des Trimmerkopfs/der Kunststoffmesser.



2. Ziehen Sie den Sperrstift (C) aus dem Loch, so dass die Achse entsperrt ist.
3. Entfernen Sie das Mitnehmerrad (B) an der Abtriebswelle.
4. Lösen Sie die Schraube (L) von der Halterung des Schutzes für die Schneid-ausrüstung an der Welle.



5. Entfernen Sie den Schutz für die Schneid-ausrüstung (A).

## Betrieb

### Kraftstoff

Dieses Produkt verfügt über einen Zweitaktmotor.



**ACHTUNG:** Die Verwendung eines falschen Kraftstoffs kann zu einer Beschädigung des Motors führen. Verwenden Sie eine Mischung aus Benzin und Zweitaktöl.

### Benzin



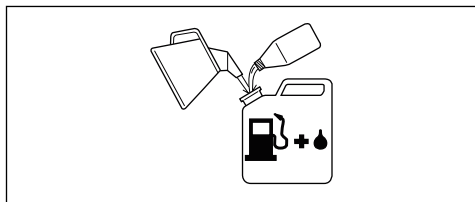
**ACHTUNG:** Verwenden Sie immer Qualitätsbenzin mit Ölbeimischung (mind. 90 Oktan (ROZ)). Der Einsatz von Kraftstoff mit niedrigerer Oktanzahl kann ein Klopfen verursachen. Das führt zu erhöhten Motortemperaturen, die schwere Motorschäden verursachen können.



**ACHTUNG:** Wenn Ihr Gerät mit einem Katalysator ausgestattet ist, verwenden Sie bleifreies Qualitätsbenzin mit

Ölbeimischung. Verbleites Benzin zerstört den Katalysator.

- Wenn umweltgerechtes sog. Alkylatbenzin zur Verfügung steht, ist dieses zu verwenden.



- Ethanol-Kraftstoffgemisch, E10 kann verwendet werden (max. 10 %ige Ethanol-Mischung). Die Verwendung von Ethanol-Mischungen höher als E10 führt zu Magerlauf, der Motorschäden verursachen kann.
- Bei Dauerbetrieb mit hoher Motordrehzahl sollte eine höhere Oktanzahl gewählt werden.

## Husqvarna Alkylatkraftstoff

Für eine optimale Leistung empfehlen wir Husqvarna Alkylatkraftstoff. Dieser enthält im Vergleich zu herkömmlichem Kraftstoff weniger gefährliche Stoffe, wodurch gefährliche Abgase reduziert werden. Der Kraftstoff hinterlässt eine geringe Menge gefährlicher Rückstände, wenn er verbrannt wird, wodurch die Motorkomponenten sauber bleiben. Dies erhöht die Lebensdauer des Motors. Husqvarna Alkylatkraftstoff ist nicht überall erhältlich.

## Zweitaktöl



**ACHTUNG:** Unbefriedigende Ölqualität und/oder ein falsches Öl/Kraftstoff-Gemisch kann zu Schäden am Gerät führen und die Lebensdauer von Katalysatoren verringern.



**ACHTUNG:** Verwenden Sie kein Zweitaktöl für wassergekühlte Außenbordmotoren (auch Outboardoil genannt).



**ACHTUNG:** Verwenden Sie kein Öl für Viertaktmotoren.

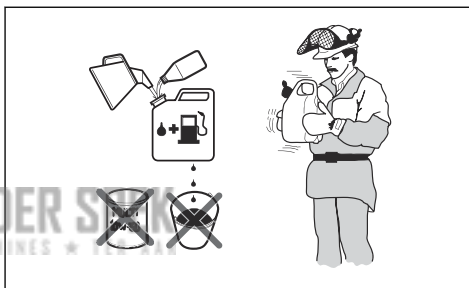
- Verwenden Sie für die besten Ergebnisse und die beste Leistung Husqvarna Zweitaktöl.
- Wenn Husqvarna Zweitaktöl nicht verfügbar ist, verwenden Sie ein anderes qualitativ hochwertiges Zweitaktöl für luftgekühlte Motoren. Wenden Sie sich an Ihren Kundendienst zur Auswahl der richtigen Ölsorte.

Benzin, l	Zweitaktöl, l
	<b>2 % (50:1)</b>
5	0,10
10	0,20
15	0,30
20	0,40

## So mischen Sie Benzin und Zweitaktöl



**ACHTUNG:** Beim Mischen kleiner Kraftstoffmengen wirken sich auch kleine Abweichungen bei der Ölmenge stark auf das Mischungsverhältnis aus. Um das korrekte Mischungsverhältnis sicherzustellen, muss die beizumischende Ölmenge genau abgemessen werden.



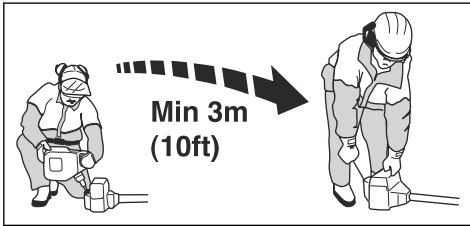
1. Füllen Sie die halbe Menge des Benzins ein, das gemischt werden soll.
2. Füllen Sie die komplette Ölmenge ein, und mischen (schütteln) Sie die Kraftstoffmischung.
3. Geben Sie dann den Rest des Benzins dazu.
4. Mischen (schütteln) Sie sorgfältig die Kraftstoffmischung, und befüllen Sie den Kraftstofftank des Geräts.
5. Leeren und reinigen Sie den Kraftstofftank, wenn Sie das Gerät längere Zeit nicht benutzen.

**Hinweis:** Mischen Sie Kraftstoff höchstens für einen Monat im Voraus, und mischen Sie Benzin und Öl immer in einem sauberen, für Benzin zugelassenen Behälter.

## So füllen Sie den Kraftstofftank

1. Säubern Sie den Bereich rund um den Tankdeckel.
2. Schütteln Sie den Behälter, und stellen Sie sicher, dass der Kraftstoff vollständig vermischt ist. Verwenden Sie einen Kraftstoffbehälter mit Überfüllungsschutz.
3. Füllen Sie es in den Kraftstofftank.

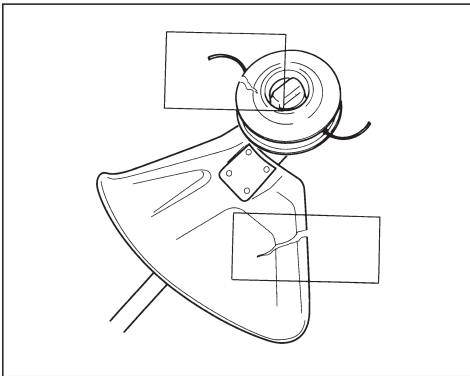
4. Ziehen Sie den Tankdeckel vorsichtig fest.
5. Bewegen Sie das Gerät vor dem Start mindestens 3 Meter aus dem Auftankbereich und von der Kraftstoff-Auftankquelle weg.



**ACHTUNG:** Verunreinigungen im Tank führen zu Betriebsstörungen. Reinigen Sie den Kraftstofftank und Kettenöltank regelmäßig, und ersetzen Sie den Kraftstofffilter einmal pro Jahr oder öfter.

## Bevor Sie das Produkt in Betrieb nehmen

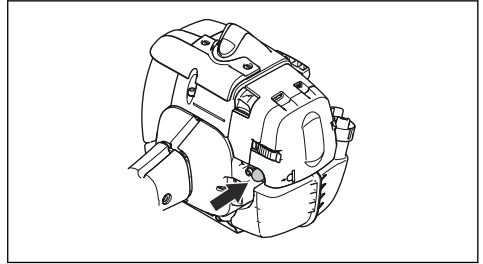
- Untersuchen Sie den Arbeitsbereich, um sicherzustellen, dass Sie sich mit der Beschaffenheit des Geländes auskennen. Überprüfen Sie das Bodengefälle und achten Sie auf Hindernisse wie Steine, Äste und Löcher.
- Führen Sie eine Überholung des Geräts durch.
- Führen Sie Sicherheitskontrollen, Wartungen und Servicemaßnahmen durch, die in dieser Bedienungsanleitung beschrieben sind.
- Stellen Sie sicher, dass alle Abdeckungen, Trimmerschutzvorrichtungen und Trimmerköpfe ordnungsgemäß befestigt und nicht beschädigt oder gerissen sind. Tauschen Sie sie aus, falls sie Stößen ausgesetzt waren oder Risse aufweisen.



**WARNUNG:** Verwenden Sie das Produkt nicht ohne oder mit beschädigter Schutzvorrichtung.

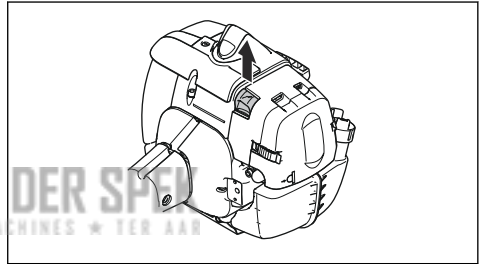
## So bereiten Sie das Produkt auf den Einsatz vor

1. Drücken Sie mehrmals die Kraftstoffpumpe, bis sich die Gummibläse mit Kraftstoff zu füllen beginnt.



**Hinweis:** Es ist nicht erforderlich, die Blase vollständig zu füllen.

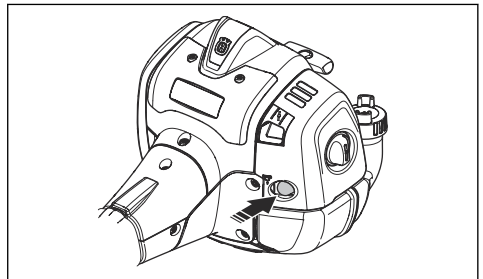
2. Bewegen Sie den Choke-Hebel nach oben in die Choke-Position.



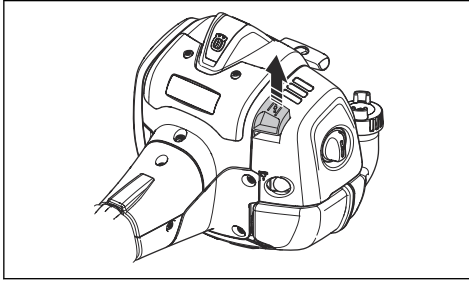
**WARNUNG:** Die Schneidausrüstung beginnt sofort zu rotieren, wenn Sie den Motor mit dem Choke starten.

## So bereiten Sie einen kalten Motor auf den Start vor

1. Drücken Sie die Blase der Kraftstoffpumpe mehrmals, bis sich die Pumpe mit Kraftstoff füllt. Es ist nicht erforderlich, die Kraftstoffpumpe vollständig zu füllen.



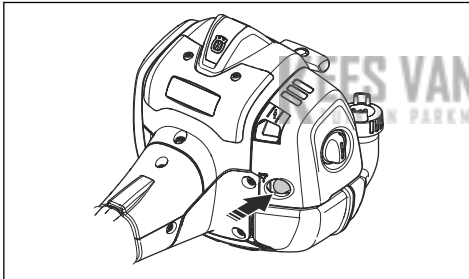
2. Bewegen Sie den Choke-Hebel nach oben in die Choke-Position.



**WARNUNG:** Die Schneidusrüstung beginnt sofort zu rotieren, wenn Sie den Motor mit dem Choke starten.

## So bereiten Sie einen warmen Motor auf den Start vor

1. Drücken Sie die Blase der Kraftstoffpumpe mehrmals, bis sich die Pumpe mit Kraftstoff füllt. Es ist nicht erforderlich, die Kraftstoffpumpe vollständig zu füllen.



2. Ziehen Sie am Startseilgriff, bis der Motor anspringt. Drücken Sie den Gashebel sanft, um die Motordrehzahl langsam zu erhöhen.



**ACHTUNG:** Ziehen Sie das Startseil nicht vollständig heraus. Lassen Sie den Starthandgriff nicht los, wenn das Startseil vollständig ausgezogen ist. Dies kann das Gerät beschädigen.

## So starten Sie das Gerät



**WARNUNG:** Lesen Sie die Warnhinweise im Kapitel über Sicherheit, bevor Sie das Gerät starten (siehe *Sicherheit auf Seite 74*).

1. Tragen Sie stets Schutzhandschuhe.

2. Drücken Sie den Gerätekörper mit der linken Hand gegen den Boden.



**ACHTUNG:** Verwenden Sie nicht Ihre Füße!

3. Halten Sie den Startseilhandgriff.
4. Ziehen Sie das Starterseil mit Ihrer rechten Hand langsam heraus, bis ein Widerstand spürbar wird (die Starterklinken greifen).



**WARNUNG:** Wickeln Sie das Starterseil nicht um Ihre Hand.

5. Ziehen Sie schnell und kraftvoll am Starterseil.

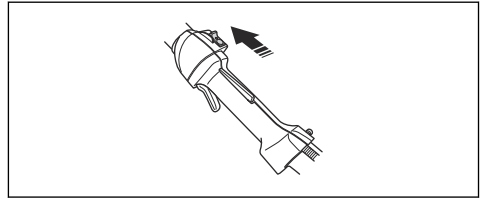


**ACHTUNG:** Ziehen Sie das Starterseil nicht ganz heraus und lassen Sie den Startgriff aus ganz herausgezogener Lage nicht los. Dies kann das Gerät beschädigen.

6. Ziehen Sie wiederholt am Starterseil, bis der Motor anspringt.
7. Stellen Sie den Choke sofort zurück, wenn der Motor zündet.
8. Betätigen Sie den Gashebel stufenweise, wenn der Motor anspringt.
9. Stellen Sie sicher, dass der Motor einwandfrei läuft.

## So stoppen Sie das Produkt

1. Legen Sie den Stoppschalter in die Stopposition, um den Motor abzustellen.



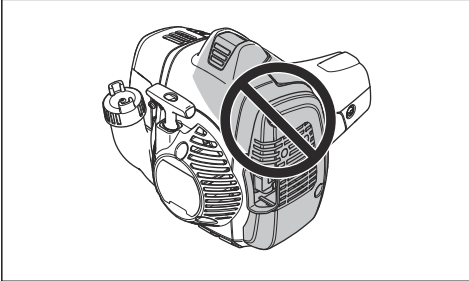
**ACHTUNG:** Der Stoppschalter kehrt dann automatisch wieder in seine Ausgangsstellung zurück. Um ein ungewolltes Starten zu vermeiden, muss daher bei Montage, Kontrolle und/oder Wartung stets die Zündkappe von der Zündkerze entfernt werden.

## Über die Oberfläche



**WARNUNG:** Fassen Sie den im Bild grau dargestellten Bereich nicht an. Bei einem heißen Gerät besteht ein Verbrennungsrisiko. Bei einer beschädigten Zündkappe besteht ein Stromschlagrisiko.

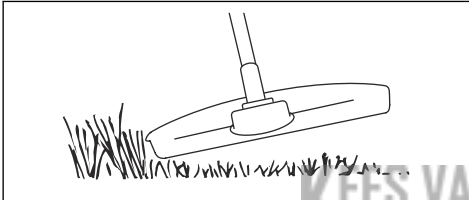
Verwenden Sie kein Gerät mit einer beschädigten Zündkappe.



## Gastrimmen mit Trimmerkopf

### So trimmen Sie Gras

1. Halten Sie den Trimmerkopf nah über dem Boden und neigen Sie ihn dabei etwas. Drücken Sie den Trimmerfaden nicht in das Gras.

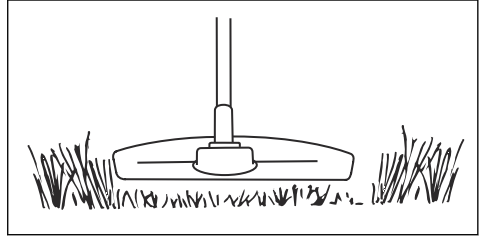


2. Verringern Sie die Länge des Trimmerfadens um 10-12 cm.
3. Senken Sie die Motordrehzahl, um das Risiko, Pflanzen zu beschädigen, zu verringern.
4. Arbeiten Sie mit 80 % Gas, wenn Sie Gras in der Nähe von Objekten schneiden.

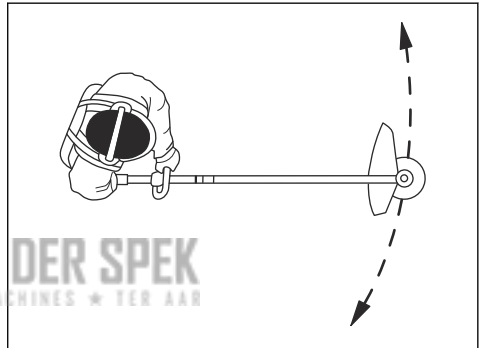


## So mähen Sie den Rasen

1. Stellen Sie sicher, dass der Trimmerfaden beim Schneiden parallel zum Boden läuft.



2. Drücken Sie den Trimmerkopf nicht auf den Boden. Dies kann das Gerät beschädigen.
3. Schwenken Sie das Gerät von Seite zu Seite, während Sie das Gras schneiden. Nutzen Sie die volle Geschwindigkeit.



## So blasen Sie Gras fort

Der Luftstrom aus dem rotierenden Trimmerfaden kann verwendet werden, um Gras zu entfernen.

1. Halten Sie den Trimmerkopf und den Trimmerfaden parallel zum Boden und über dem Boden.
2. Geben Sie Vollgas.
3. Bewegen Sie den Trimmerkopf von einer Seite zur anderen und blasen Sie das Gras fort.



**WARNUNG:** Reinigen Sie die Trimmerkopfabdeckung jedes Mal, wenn Sie einen neuen Trimmerfaden zusammenbauen, um Unwucht und Vibrationen in den Griffen zu vermeiden. Sie sollten auch die anderen Teile des Trimmerkopfs überprüfen und bei Bedarf reinigen.

# Wartung

## Wartungsplan

sind. Wenden Sie sich für Wartungs- oder Servicearbeiten, die nicht in dieser Betriebsanleitung beschrieben sind, an Ihren Servicehändler.



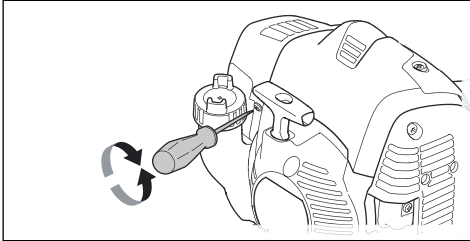
**WARNUNG:** Führen Sie nur die Wartungs- und Servicearbeiten aus, die in dieser Bedienungsanleitung beschrieben

Wartung	Täglich	Wöchentlich	Monatlich
Reinigen Sie die Außenfläche.	X		
Stellen Sie sicher, dass die Gashebelsperre und der Gashebel einwandfrei funktionieren.	X		
Überprüfen Sie, ob der Stoppschalter ordnungsgemäß funktioniert.	X		
Vergewissern Sie sich, dass die Schneidausrüstung im Leerlauf nicht rotiert.	X		
Reinigen Sie den Luftfilter. Ersetzen Sie falls notwendig den Luftfilter aus.	X		
Überprüfen Sie den Schutz der Schneidausrüstung auf Beschädigung und Risse. Ersetzen Sie die Schutzvorrichtung, wenn sie getroffen wurde oder beschädigt ist.	X		
Überprüfen Sie den Trimmerkopf auf Beschädigung und Risse. Tauschen Sie den Trimmerkopf bei Beschädigung aus.	X		
Vergewissern Sie sich, dass alle Schrauben und Muttern fest angezogen sind.	X		
Untersuchen Sie den Motor, den Kraftstofftank und die Kraftstoffleitungen auf Undichtigkeiten.	X		
Reinigen Sie das Kühlsystem.		X	
Überprüfen Sie den Anlasser und das Startseil auf Beschädigungen.		X	
Überprüfen Sie die Vibrationsdämpfer auf Beschädigungen und Risse.		X	
Reinigen Sie die äußeren Bauteile der Zündkerze. Entfernen Sie die Zündkerze und prüfen Sie den Elektrodenabstand. Stellen Sie den Elektrodenabstand auf den richtigen Abstand ein (siehe <i>Technische Angaben auf Seite 92</i> ) oder ersetzen Sie die Zündkerze. Stellen Sie sicher, dass die Zündkerze eine sog. Funkenstörung hat.		X	
Reinigen Sie die äußeren Bauteile des Vergasers und den umliegenden Bereich.		X	
Stellen Sie sicher, dass das Winkelgetriebe zu $\frac{3}{4}$ mit Schmierfett gefüllt ist. Bei Bedarf das Winkelgetriebe mit Husqvarna Spezialfett füllen.		X	
Das Funkenfängernetz des Schalldämpfers reinigen oder austauschen (gilt nur für Schalldämpfer ohne Katalysator).		X	X
Untersuchen Sie den Kraftstofffilter auf Verschmutzungen und den Kraftstoffschlauch auf Risse oder andere Schäden. Tauschen Sie die Teile bei Bedarf aus.			X
Kontrollieren Sie alle Kabel und Anschlüsse.			X
Wenden Sie sich an Ihren Servicehändler, wenn ein Austauschen der Kupplung, der Kupplungsfedern oder der Kupplungstrommel notwendig ist.			X

Wartung	Taglich	Wochent-lich	Monatlich
Tauschen Sie die Zundkerze aus. Stellen Sie sicher, dass die Zundkerze eine sog. Funkenstorung hat.			X

## So stellen Sie die Leerlaufdrehzahl ein

1. Stellen Sie sicher, dass der Luftfilter sauber und der Luftfilterdeckel angebracht ist.
2. Stellen Sie die Leerlaufdrehzahl mit der Leerlaufstellschraube ein. Die Leerlaufstellschraube T ist mit einem „T“ markiert.



3. Drehen Sie die Einstellschraube im Uhrzeigersinn, bis die Schneidausrustung sich zu drehen beginnt.
4. Drehen Sie die Einstellschraube gegen den Uhrzeigersinn, bis die Schneidausrustung stehen bleibt.

Die Leerlaufdrehzahl ist richtig eingestellt, wenn der Motor in allen Stellungen gleichmaig lauft. Die Leerlaufdrehzahl muss niedriger sein als die Geschwindigkeit, bei der sich die Schneidausrustung zu drehen beginnt.



**WARNUNG:** Wenn Sie die Leerlaufdrehzahl anpassen und die Schneidausrustung nicht anhalt, wenden Sie sich an den nachsten Servicehandler. Verwenden Sie das Gerat erst wieder, wenn es richtig eingestellt ist oder repariert wurde.

**Hinweis:** Siehe *Technische Angaben auf Seite 92* fur die empfohlene Leerlaufdrehzahl.

## Wartung des Trimmerkopfes

1. Verwenden Sie nur die empfohlene Schneidausrustung und Schutzvorrichtung. Siehe *Zubehor auf Seite 93*.
2. Stellen Sie sicher, dass das Messer am Schutz fur die Schneidausrustung nicht beschadigt ist und es den Faden auf die richtige Lange schneidet.
3. Montieren Sie den Faden entsprechend den Abbildungen auf den letzten Seiten des Handbuchs.

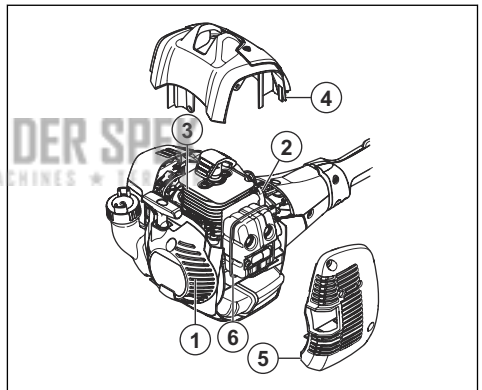
## Kuhlsystem

Das Gerat ist mit einem Kuhlsystem ausgestattet, um die Betriebstemperatur so gering wie moglich zu halten.

Reinigen Sie die Bauteile des Kuhlsystems wochentlich mit einer Burste, bei raueren Bedingungen auch haufiger. Eine Verschmutzung oder Verstopfung des Kuhlsystems fuhrt zur Uberhitzung des Gerates, was Zylinder und Kolben beschadigt.

Das Kuhlsystem besteht aus folgenden Teilen:

1. Lufterinlass in der Startvorrichtung.
2. Geblaseflugel des Schwungrads.
3. Kuhlrippen des Zylinders.
4. Zylinderdeckel.
5. Schalldampferabdeckung.
6. Auspuffstutze.



## Wartung des Schalldampfers

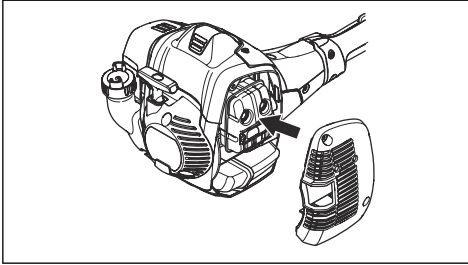
Der Schalldampfer hat die Aufgabe, den Geruschpegel zu dampfen und die Abgase vom Anwender wegzuleiten.



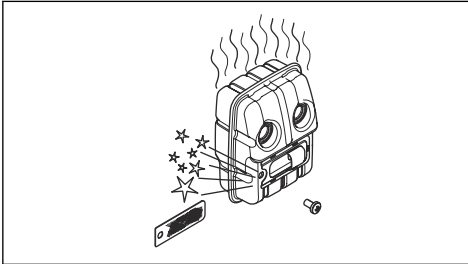
**WARNUNG:** Schalldampfer mit Katalysator konnen wahrend des Betriebs sehr hei werden und bleiben auch einige Zeit nach dem Abstellen des Produkts hei. Dies gilt auch fur den Leerlaufbetrieb. Wenn Sie das Produkt beruhren, kann dies zu Verbrennungen fuhren. Denken Sie auch an die Brandgefahr.

1. Schalten Sie das Gerat aus und lassen Sie es abkuhlen.

2. Entfernen Sie die Abdeckung am Schalldämpfer.



3. Entfernen Sie die Schraube zur Befestigung des Funkenfängernetzes.



4. Reinigen Sie das Funkenfängernetz, wenn es verstopft ist oder beschädigt ist.



**ACHTUNG:** Weist das Funkenfängernetz Schäden auf, muss es ausgewechselt werden. Benutzen Sie das Gerät nicht, wenn das Funkenfängernetz auf dem Schalldämpfer fehlt oder defekt ist.



**ACHTUNG:** Wenn das Funkenfängernetz häufig verstopft ist, kann dies ein Zeichen dafür sein, dass der Katalysator nicht einwandfrei arbeitet. Lassen Sie den Schalldämpfer von Ihrem Servicehändler kontrollieren. Ein verstopftes Funkenfängernetz kann zu Überhitzung führen, wodurch Schäden an Zylinder und Kolben entstehen können.

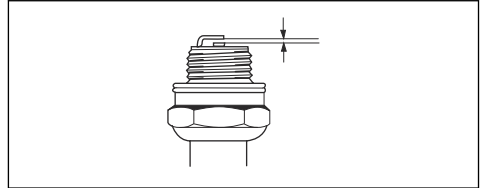
## So überprüfen Sie die Zündkerze



**ACHTUNG:** Verwenden Sie stets den vom Hersteller empfohlenen Zündkerzentyp! Die Verwendung eines falschen Zündkerzentyps kann zu Schäden am Gerät führen.

- Überprüfen Sie die Zündkerze, wenn der Motor nur schwache Leistung bringt, sich nur schwer starten lässt oder im Leerlauf nicht ordnungsgemäß funktioniert.

- Wenn Sie diese Anweisungen befolgen, verringern Sie die Gefahr von unerwünschtem Material an den Elektroden der Zündkerze:
  - a) Stellen Sie sicher, dass die Leerlaufdrehzahl richtig eingestellt ist.
  - b) Vergewissern Sie sich, dass das Kraftstoffgemisch korrekt ist.
  - c) Vergewissern Sie sich, dass der Luftfilter sauber ist.
- Ist die Zündkerze verschmutzt, so ist sie zu reinigen; gleichzeitig ist zu prüfen, ob der Elektrodenabstand korrekt ist, siehe *Technische Angaben auf Seite 92*.



- Tauschen Sie die Zündkerze bei Bedarf aus.

## Luftfilter

Befreien Sie den Luftfilter von Staub und Schmutz, um Folgenden vorzubeugen:

- Vergaserstörungen.
- Startschwierigkeiten.
- Leistungsminderung.
- Unnötigem Verschleiß der Motorteile.
- Zu hoher Kraftstoffverbrauch.

Reinigen Sie den Luftfilter jeweils nach 25 Betriebsstunden, bei besonders staubigen Verhältnissen häufiger.

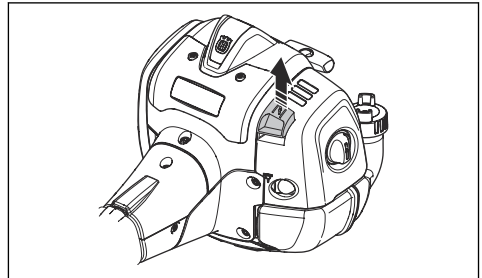
## Reinigen des Luftfilters



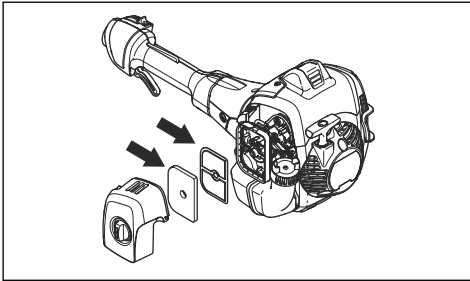
**ACHTUNG:** Ein beschädigter, stark verschmutzter oder mit Kraftstoff getränkter Luftfilter muss immer ausgetauscht werden.

Wenn Sie einen Luftfilter lange verwenden, kann er nicht vollständig gereinigt werden. Tauschen Sie den Luftfilter regelmäßig gegen einen neuen aus.

1. Bewegen Sie den Drosselhebel nach oben, um die Drosselluftklappe zu schließen.



2. Nehmen Sie Luftfilterdeckel und Luftfilter ab.

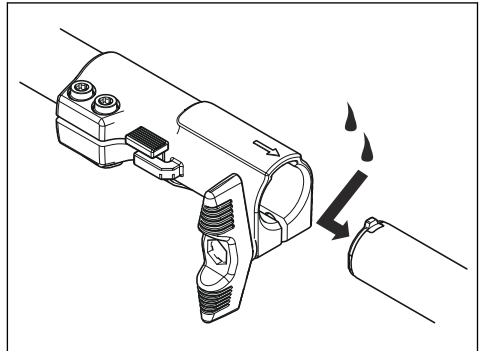


3. Reinigen Sie den Luftfilter mit warmer Seifenlauge.
4. Tauschen Sie den Luftfilter aus, falls er für eine Reinigung zu stark verschmutzt ist. Tauschen Sie einen beschädigten Luftfilter unbedingt aus.
5. Reinigen Sie zudem die Innenseite des Luftfilterdeckels. Verwenden Sie dazu Druckluft oder eine Bürste.
6. Prüfen Sie regelmäßig die Oberfläche der Gummidichtung. Tauschen Sie den Filter auf der Gummidichtung bei Beschädigung aus.
7. Achten Sie darauf, dass der Luftfilter trocken ist, bevor Sie ihn wieder einbauen.

Das Fett im Getriebegehäuse muss nur bei evtl. Reparaturen gewechselt zu werden.

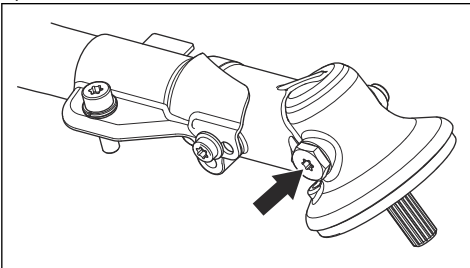
## Zweiteiliges Führungsrohr

Schmieren Sie das Ende der Antriebswelle nach jeweils 30 Betriebsstunden. Es besteht die Gefahr, dass sich die Enden der Antriebswelle (Nutzungsverband) bei den zerlegbaren Modellen ineinander fressen, wenn sie nicht regelmäßig geschmiert werden.



## Winkelgetriebe

Das Winkelgetriebe ist ab Werk mit der richtigen Menge Fett gefüllt. Aber, bevor Sie das Gerät verwenden, stellen Sie sicher, dass das Winkelgetriebe zu 3/4 mit Schmiermittel gefüllt ist. Verwenden Sie Husqvarna Spezialfett.



## Fehlerbehebung

### Der Motor springt nicht an

Prüfung	Mögliche Ursache	Empfohlene Vorgehensweise
Stoppschalter	Der Stoppschalter ist in Stopposition.	Den Stoppschalter in Startposition stellen.

Prüfung	Mögliche Ursache	Empfohlene Vorgehensweise
Starterklinken	Die Starterklinken sind nicht frei beweglich.	Entfernen Sie das Gehäuse der Startvorrichtung und reinigen Sie den Bereich um die Starterklinken.
		Wenden Sie sich an eine zugelassene Servicewerkstatt.
Kraftstofftank.	Falsche Kraftstoffsorte.	Wechseln Sie den Kraftstoff aus.
Zündkerze.	Die Zündkerze ist verschmutzt oder nass.	Stellen Sie sicher, dass die Zündkerze sauber und trocken ist.
	Zündkerze mit falschem Elektrodenabstand.	Reinigen Sie die Zündkerze. Stellen Sie sicher, dass der Elektrodenabstand korrekt ist. Stellen Sie sicher, dass die Zündkerze eine sog. Funkenstörung hat.
		Siehe technische Daten für den korrekten Elektrodenabstand.
	Die Zündkerze sitzt lose.	Zündkerze festziehen.

## Der Motor startet, geht aber wieder aus.

Prüfung	Mögliche Ursache	Empfohlene Vorgehensweise
Kraftstofftank.	Falsche Kraftstoffsorte.	Wechseln Sie den Kraftstoff aus.
Luftfilter	Der Luftfilter ist verstopft.	Reinigen Sie den Luftfilter.

---

## Transport und Lagerung

---

### Transport und Lagerung

- Bei Transport und Aufbewahrung von Produkt und Kraftstoff müssen Sie darauf achten, dass bei eventuellen Undichtigkeiten entweichende Dämpfe oder Kraftstoff nicht mit Funken oder offenem Feuer in Kontakt kommen können, z. B. von Elektrogeräten, Elektromotoren, elektrischen Kontakten/Schaltern oder Heizkesseln.
- Verwenden Sie zum Transport und zur Aufbewahrung von Kraftstoff speziell für diesen Zweck vorgesehene und zugelassene Behälter.
- Bei längerer Aufbewahrung des Produkts müssen Sie den Kraftstofftank entleeren. An der nächsten Tankstelle erfahren Sie, wie Sie überschüssigen Kraftstoff am besten entsorgen. Entleeren Sie den Tank in einen geeigneten Behälter und an einem gut durchlüfteten Ort.
- Stellen Sie vor der Langzeitaufbewahrung sicher, dass das Produkt gründlich gesäubert und komplett gewartet wurde.
- Bei Transport oder Aufbewahrung des Produkts muss der Transportschutz für die Schneidusrüstung immer montiert sein.
- Sichern Sie das Gerät während des Transports.
- Um ein ungewolltes Starten des Motors zu vermeiden, müssen Sie bei der Langzeitaufbewahrung, bei allen Servicemaßnahmen und, wenn das Produkt ohne Aufsicht ist, die Zündkappe entfernen.
- Lassen Sie das Gerät abkühlen, bevor Sie es einlagern.

# Technische Angaben

## Technische Angaben

	<b>525LK</b>
<b>Motor</b>	
Hubraum, cm <sup>3</sup>	25,4
Leerlaufdrehzahl, U/min	3000
Empfohlene max. Drehzahl U/min	9500
Drehzahl der Abtriebswelle, U/min	6500
Motorhöchstleistung nach ISO 8893, kW/PS @ U/min	1,5/@8500
Katalysatorschalldämpfer	Ja
<b>Zündanlage</b>	
Zündkerze	NGK BPMR8Y
Elektrodenabstand, mm	0,65
<b>Kraftstoff- und Schmiersystem</b>	
Hersteller/Vergasertyp	Walbro WTEA-8C
Füllmenge Kraftstofftank, Liter	0,51
<b>Gewicht</b>	
Ohne Kraftstoff, Schneidausrüstung und Schutz, kg	4,7
<b>Geräuschemissionen <sup>7</sup></b>	
Gemessener Schalleistungspegel dB (A)	104
Schalleistungspegel, garantiert L <sub>WA</sub> dB (A)	106
<b>Geräuschpegel <sup>8</sup></b>	
Der äquivalente Schalldruckpegel am Ohr des Bedieners, gemessen nach EN/ISO 11806 und ISO 7917, dB(A), min./max.:	
Ausgestattet mit Trimmerkopf (Original)	99
<b>Vibrationswerte</b>	
Äquivalente Vibrationspegel (a <sub>hv,eq</sub> ) an den Griffen, gemessen gemäß EN ISO 11806 und ISO 22867, m/s <sup>2</sup> :	
Ausgestattet mit Trimmerkopf (Original), links/rechts	3,0/3,3

<sup>7</sup> Umweltbelastende Geräuschemissionen, gemessen als Schalleistung (L<sub>WA</sub>) gemäß EG-Richtlinie 2000/14/EG Der aufgezeichnete Lautstärkepegel für das Gerät wurde unter Verwendung der originalen Schneidausrüstung mit dem höchsten Pegel gemessen. Die Differenz zwischen garantiertem und gemessenem Schalleistungspegel besteht darin, dass beim garantierten Schalleistungspegel auch eine Streuung im Messergebnis und Variationen zwischen verschiedenen Geräten desselben Modells gemäß der Richtlinie 2000/14/EG berücksichtigt werden.

<sup>8</sup> Berichten zufolge liegt der äquivalente Schalldruckpegel normalerweise bei einer Ausbreitungsklasse (standardmäßige Ausbreitung) von 1 dB (A).

## Zubehör

### Zubehör

Es wird empfohlen, das Zubehör in Kombination mit den angegebenen Geräteköpfen zu verwenden. Das Zubehör wurde vom schwedischen Institut für

Maschinenprüfung gemäß den geltenden ISO- und EN-Standards für Sicherheitsanforderungen geprüft.

Zugelassenes Zubehör	Art des Zubehörs	Schutz für die Schneidausrüstung, Teile-Nr.
Gewinde Klingenachse M10		
Kunststoffklingen	Tricut Ø 255 mm (separate Klingen haben die Teilenummer 531 01 77-15)	588 54 37-01/588 11 79-01 503 93 42-02/503 97 71-01
	Tricut Ø 300 mm (separate Klingen haben die Teilenummer 531 01 77-15)	588 54 37-01
Trimmerkopf	Trimmy Fix (Ø 2,4 mm Faden)	588 54 37-01/588 11 79-01 503 93 42-02/503 97 71-01
	Superauto II (Ø 2,4-2,7 mm Faden)	588 54 37-01/588 11 79-01 503 93 42-02/503 97 71-01
	S35 (Ø 2,4-3,0 mm Faden)	588 54 37-01/588 11 79-01 503 93 42-02/503 97 7101
	T25 (Ø 2,0-2,7 mm Faden)	588 54 37-01/588 11 79-01 503 93 42-02/503 97 71-01
	T35, T35x (Ø 2,4-3,0 mm Faden)	588 54 37-01/588 11 79-01 503 93 42-02/503 97 71-01
	Alu (Ø 2,0-3,3 mm Faden)	588 54 37-01/588 11 79-01 503 93 42-02/503 97 71-01

Zugelassene Anbaugeräte	Verwenden mit
Kehrwalzenaufsatz SR600-2	525LK:
Heckenscherenaufsatz HA110	525LK:
Heckenscherenaufsatz HA850	525LK:
Kantenschneideraufsatz EA850	525LK:
Sägeaufsatz PA1100	525LK:
Trimmeraufsatz TA850	525LK:

Zugelassene Anbaugeräte	Verwenden mit
Erweiterungsanbaugerät EX850	525LK:
Kultivatoraufsatz CAC	525LK:
Laubblasenanbaugerät BA101	525LK:
Kehrbürstenanbaugerät BR600	525LK:
Vertikutiereranbaugerät DT600	525LK:
Motorsensen-Anbaugerät BCA850-24	525LK:

**KEES VAN DER SPEK**  
 TUIN EN PARKMACHINES ★ TER AAR

---

# EU-Konformitätserklärung

---

## EG-Konformitätserklärung

**Husqvarna AB**, SE-561 82 Huskvarna, Schweden, Tel. +46-36-146500, erklärt hiermit, dass die Trimmer **Husqvarna 525LK** mit Seriennummer ab 2016 (die Jahreszahl wird im Klartext auf dem Typenschild angegeben, mitsamt einer nachfolgenden Seriennummer) den Vorschriften der RICHTLINIE DES RATES entsprechen:

- „Maschinen-Richtlinie“ **2006/42/EG** vom 17. Mai 2006
- Richtlinie „über elektromagnetische Verträglichkeit“, **2014/30/EU** vom 26. Februar 2014
- „Richtlinie über umweltbelastende Geräuschemissionen von zur Verwendung im Freien vorgesehenen Geräten und Maschinen“ **2000/14/EG** vom 8. Mai 2000 Beurteilung der Übereinstimmung gemäß Anhang V. Informationen zu Geräuschemissionen finden Sie unter *Technische Angaben auf Seite 92*.
- Richtlinie „zur Beschränkung der Verwendung bestimmter gefährlicher Stoffe in Elektro- und Elektronikgeräten“ **2011/65/EU** vom 8. Juni 2011

Die folgenden Normen werden erfüllt:

**EN ISO 12100:2010, EN ISO 11806-1:2011, ISO 14982:2009, CISPR 12:2009, EN 50581:2012**

RISE SMP Svensk Maskinprovning AB, Box 7035, SE-750 07 Uppsala, Sweden, hat im Auftrag von Husqvarna AB eine freiwillige Baumusterprüfung durchgeführt. Die Zertifikate haben die Nummern: **SEC/13/2382** - 525LK

Huskvarna, 2016-03-30



Per Gustafsson, Entwicklungsleiter (bevollmächtigter Vertreter für Husqvarna AB, verantwortlich für die technische Dokumentation)

## VSEBINA

Uvod.....	96	Odpravljanje težav.....	113
Varnost.....	98	Prevoz in skladiščenje.....	114
Montaža.....	103	Tehnični podatki.....	114
Delovanje.....	105	Dodatna oprema.....	115
Vzdrževanje.....	109	Izjava ES o skladnosti.....	117

## Uvod

### Opis izdelka

Izdelek je trimer za travo z motorjem z notranjim zgorevanjem.

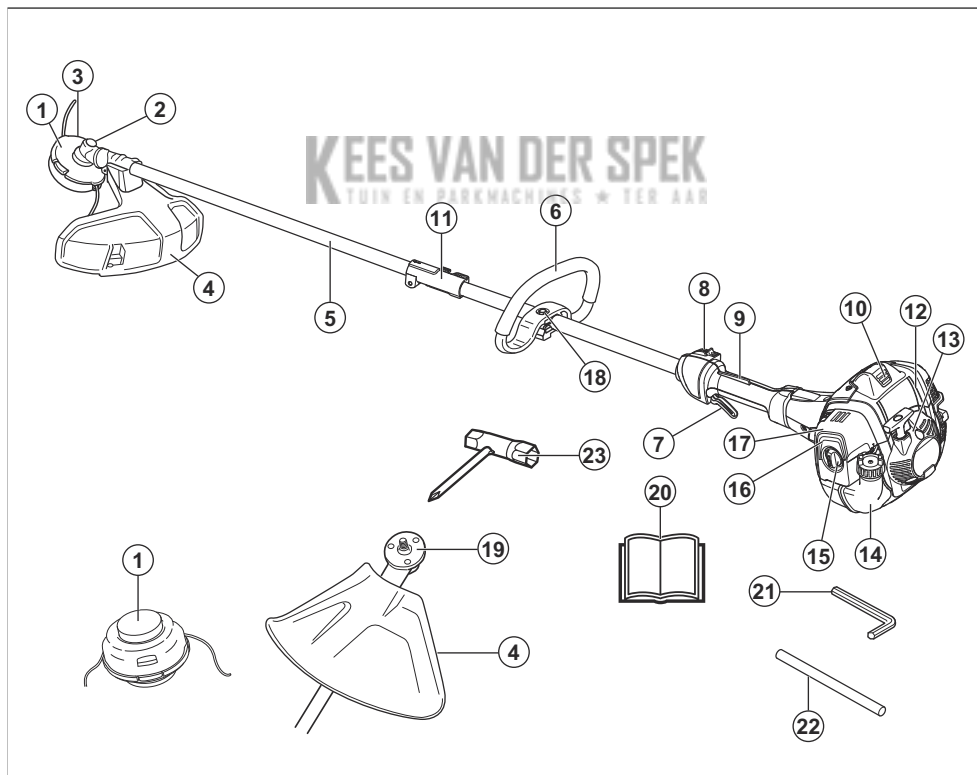
Stalno delamo na tem, da bi povečali varnost in učinkovitost med delovanjem. Če potrebujete več informacij, se obrnite na servisnega zastopnika.

### Namen uporabe

Izdelek je z nameščeno kosilno glavo mogoče uporabljati za košnjo trave. Izdelek je dovoljeno uporabljati samo za obrezovanje in odstranjevanje trave.

**Opomba:** Uporabo lahko urejajo državni ali lokalni predpisi. Upošteвайте veljavne predpise.

### Pregled izdelka



1. Kosilna glava
2. Pokrovček polnilne odprtine za mast
3. Kotni prenos
4. Ščitnik rezalnega priključka

5. Gred
6. Okrogli ročaj
7. Ročica plina
8. Izklopno stikalo
9. Zaklep ročice plina
10. Kapica vžigalne svečke in vžigalna svečka
11. Priključek gredi
12. Pokrov valja
13. Ročica zaganjalne vrvice
14. Posoda za gorivo
15. Pokrov zračnega filtra
16. Membrana črpalke goriva
17. Ročica čoka
18. Prilagoditev ročaja
19. Pogonski disk
20. Navodila za uporabo
21. Ključ Inbus
22. Blokirni zatič
23. Kombiniran ključ

## Znaki na izdelku



**OPOZORILO!** Bodite previdni in uporabljajte izdelek pravilno. Ta izdelek lahko povzroči hude poškodbe oziroma smrt upravljavca ali drugih.



Pred uporabo tega izdelka morate pazorno prebrati navodila za uporabo ter jih razumeti.



Na območjih, kjer bi lahko na vas padel kakšen predmet, uporabljajte zaščitno čelado. Uporabljajte odobreno zaščito za sluh. Uporabljajte odobreno zaščito oči.



Uporabljajte odobrene zaščitne rokavice.



Uporabljajte trpežno obutev, ki ne drsi.



Izdelek lahko povzroči izmet predmetov, kar lahko vodi do poškodb.



Najvišja hitrost pogonske gredi.



Med uporabo izdelka bodite na varni razdalji 15 m od drugih oseb in živali.



Uporabljajte samo prožno rezalno žico. Opreme za rezanje kovin ne uporabljajte za košnjo trave.



Puščici označujeta mejna položaja ročaja.



Membrana črpalke goriva.



Čok.



Gorivo.



Emisije hrupa v okolje so skladne z veljavnimi direktivami ES. Podatki o emisijah hrupa izdelka so navedeni v poglavju [xref] in na nalepki.



Izdelek je skladen z veljavnimi direktivami ES.

yyyywwxxxx

Na tipski ploščici je navedena serijska številka. **yyyy** pomeni leto proizvodnje, **ww** pa označuje teden proizvodnje.

**Opomba:** Ostali simboli in oznake na izdelku se nanašajo na zahteve za certifikacijo, ki veljajo za nekatere trge.

## EU V



**OPOZORILO:** Zaradi predelave motorja se razveljavi EU-homologacija tega izdelka.

## Odgovornost proizvajalca

Kot je navedeno v zakonodaji, ki ureja odgovornost proizvajalca, ne prevzemamo nikakršne odgovornosti za poškodbe, ki bi jih naši izdelki povzročili v naslednjih primerih:

- Izdelek ni pravilno popravljen.
- Izdelek je popravljen z deli, ki jih ni izdelal ali odobril proizvajalec.

- Na izdelku je nameščena dodatna oprema, ki je ni izdelal ali odobril proizvajalec.

- Izdelek ni bil popravljen v pooblaščenem servisnem centru ali pri pooblaščenem organu.

## Varnost

### Varnostne definicije

Opozorila, svarila in opombe opozarjajo na posebej pomembne dele priročnika.



**OPOZORILO:** Se uporabi, če obstaja nevarnost telesne poškodbe ali smrti uporabnika ali opazovalcev ob neupoštevanju navodil v tem priročniku.



**POZOR:** Se uporabi, če obstaja nevarnost poškodbe izdelka, drugih materialov ali okolice ob neupoštevanju navodil v tem priročniku.

**Opomba:** Se uporabi za podajanje podrobnejših informacij, potrebnih v dani situaciji.

### Splošna varnostna navodila



**OPOZORILO:** Pred uporabo izdelka preberite navodila v povezavi z opozorili v nadaljevanju.

- Gozdarski obrezovalnik, motorna kosa in trimmer so lahko ob neprevidni ali napačni uporabi zelo nevarno orodje, ki povzroči resne poškodbe ali smrt uporabnika ali tretjih oseb. Zato je zelo pomembno, da natančno preberete in razumete navodila za uporabo.
- Nikoli ne smete spreminjati prvotne izvedbe izdelka brez predhodnega dovoljenja proizvajalca. Nikoli ne uporabljajte izdelka, katerega prvotne specifikacije so bile na kakršen koli način spremenjene, in vedno uporabljajte originalno dodatno opremo. Spremembe brez pooblastila in/ali neoriginalni deli lahko povzročijo resne poškodbe ali smrt uporabnika in drugih.
- Notranjost dušilca vsebuje snovi, ki so lahko rakotvorne. Če je dušilec poškodovan, se izogibajte stiku z njegovimi deli.
- Izdelek med delovanjem ustvarja elektromagnetno polje. To polje lahko v nekaterih pogojih moti delovanje aktivnih ali pasivnih medicinskih vsadkov. Da bi zmanjšali nevarnost ki bi lahko povzročila telesne poškodbe ali smrt, priporočamo, da se osebe z medicinskimi vsadki pred uporabo izdelka posvetujejo s svojim zdravnikom in proizvajalcem vsadka.
- Pred uporabo morate poznati razliko med odstranjevanjem in obrezovanjem trave.
- V primeru dvoma, ali je nadaljnja uporaba še primerna, se posvetujte s strokovnjakom. Obrnite se na svojega zastopnika ali servisno delavnico. Izogibajte se situacijam, ki se vam zdijo prezahtevne.
- Ne uporabljajte pokvarjenega izdelka. Upoštevajte varnostna navodila ter navodila za vzdrževanje in servis, navedena v tem priročniku. Nekatere vrste vzdrževalnih del in popravil lahko opravi samo za to usposobljeno strokovno osebje. Glejte razdelek *Vzdrževanje na strani 109*.
- Pred zagonom izdelka morajo biti nameščeni vsi pokrovi, varovala in ročaji. Za preprečevanje nevarnosti električnega udara se prepričajte, da pokrovček svečke in vžigalni kabel nista poškodovana.
- Izdelka ne uporabljajte, če ste utrujeni, pod vplivom alkohola ali drog ali zdravil oziroma v drugih okoliščinah, ki vplivajo na vaš vid, pozornost, koordinacijo ali presojo.
- Izdelka ne uporabljajte v slabem vremenu, npr. gosti megli, močnem deževju in vetru, hudem mrazu itd. Delo v slabem vremenu je utrujajoče in pogosto povezano z dodatnimi nevarnostmi, na primer poledico, nepredvidljivo smerjo padanja dreves ipd.
- Edini priključki, ki jih lahko uporabljate s tem motorjem, so rezalni priključki, ki jih priporočamo. Glejte razdelek *Dodatna oprema na strani 115*.
- Otrokom nikoli ne dovolite, da uporabljajo izdelek ali da so zgolj v njegovi bližini. Ker je izdelek opremljen z vzmetnim stikalom Start/Stop, ga lahko že z majhno hitrostjo in silo vključite, kar pomeni, da lahko tudi majhni otroci v določenih okoliščinah zaženejo izdelek. To lahko pomeni tveganje resne osebne poškodbe. Zato odstranite kapico svečke, ko izdelka ne morete nadzorovati.
- Delujoči motor lahko v zaprtem ali slabo prezračenem prostoru povzroči smrt zaradi zadušitve ali zastrupitve z ogljikovim monoksidom.
- Pred zagonom izdelka morata biti nameščena celoten pokrov sklopke in gred, sicer se lahko sklopka zrahlja in povzroči telesne poškodbe.
- V premeru 15 metrov od delovnega mesta se ljudje ali živali ne smejo zadrževati. Če sočasno v območju dela več uporabnikov, mora biti varnostna razdalja med njimi vsaj 15 metrov. Sicer obstaja nevarnost

### Varnostna navodila za uporabo



**OPOZORILO:** Pred uporabo izdelka preberite navodila v povezavi z opozorili v nadaljevanju.

resnih telesnih poškodb. V primeru približevanja oseb nemudoma izklopite izdelek. Z izdelkom nikoli ne zamahnite, ne da bi pred tem preverili prostor za vašim hrbtom in se tako prepričali, da v varnostnem območju ni nikogar.

- Zagotovite, da osebe, živali ali drugi predmeti ne morejo vplivati na nadzor nad izdelkom in ne morejo priti v stik z rezalnim priključkom ali predmeti, ki jih rezalni priključek meče naokrog. Kljub temu nikoli ne uporabljajte izdelka, če v primeru nesreče ne morete priklicati pomoči.
- Obvezno pregledjte delovno območje. Odstranite vse trde dele, na primer kamenje, razbito steklo, žebelje, jeklene žice, vrvi, ki jih rezilo izvrže, ali pa se lahko navijajo okrog rezalnega priključka.
- Prepričajte se, da se lahko varno gibljete in stojite. Če se morate nepričakovano premakniti, preverite okolico za morebitne ovire (korenine, kamenje, veje, jarke, itd.). Pri delu na nagnjenih tleh bodite še posebej previdni.



- Ohranajte stabilen položaj in čvrst korak. Rok ne stegujte predaleč.
- Izdelek vedno primite z obema rokama. Izdelek držite ob svojem desnem boku.
- Rezalni priključek naj bo pod višino pasu.
- Preden se premaknete na drugo območje, izklopite stroj. Pred transportom opreme na kakršni koli razdalji namestite transportno zaščito.
- Stroja nikoli ne odlagajte z delujočim motorjem, razen če ga nimate neprekinjeno pod strogim nadzorom.
- Pred odstranjevanjem materiala, navitega okrog gredi rezila, izklopite motor in rezalno opremo. Uporabnik izdelka ali druga oseba ne smeta nikoli poskušati odstraniti razrezanega materiala, če motor deluje ali se rezalna oprema vrti. Takšno ravnanje lahko povzroči resne poškodbe. Med uporabo in nekaj časa po njej je kotna prestava vroča. Ob dotiku se lahko opečete.
- Pozor pred izmetom predmetov. Uporabljajte vedno odobrena zaščitna očala. Nikoli se ne nagibajte čez ščitnik rezalnega priključka. Kamenje, odpadke ipd. lahko stroj vrže v oči, to pa lahko povzroči slepoto ali resne poškodbe.

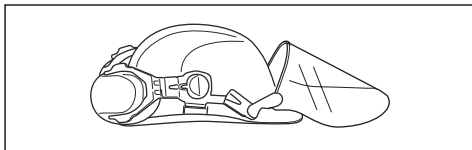
- Občasno se med rezalni priključek in ščitnik zataknejo veje ali trava. Pred čiščenjem izdelka izklopite motor.
- Po vsakem delu vedno upočasnite motor tako, da bo v prostem teku. Če motor dalj časa deluje pri najvišjih obratih brez obremenitve, se lahko resno poškoduje.
- Bodite vedno pozorni na svarilne znake in klice, ko nosite zaščito za sluh. Zaščito za sluh odstranite takoj, ko se motor zaustavi.
- Pri ljudeh, ki imajo težave s krvnim obtokom, lahko pretirana izpostavljenost tresljajem povzroči poškodbe ožilja ali živčevja. Če opazite znamenja pretirane izpostavljenosti tresljajem, se posvetujte z zdravnikom. Ti simptomi zajemajo otrplost, izgubo občutenja, ščemenje, zbadanje, bolečino, zmanjšano moč in spremembe barve ali stanja kože. Običajno se pojavijo v prstih, na rokah ali na zapestjih.
- Izdelka ne uporabljajte s poškodovanim pokrovčkom svečke.
- Če je dušilnik poškodovan, izdelka ne uporabljajte.
- Delov telesa ne približajte vrtljivim rezalnim priključkom in vročim površinam.
- Nikoli ne uporabljajte izdelka s poškodovanim dušilnikom.
- Izdelka ni dovoljeno uporabljati v zaprtih prostorih, v bližini vnetljivih materialov ali prostorih, kjer ni zadostnega prezračevanja. Izpušni plini iz motorja vsebujejo ogljikov monoksid, ki je strupen in zelo nevaren plin brez vonja. Izpušni plini so vroči in lahko vsebujejo iskre, ki lahko zanetijo požar.

## Osebná zaščitná oprema

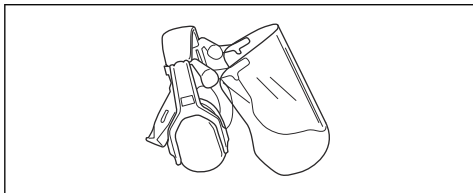


**OPOZORILO:** Pred uporabo izdelka preberite navodila v povezavi z opozorili v nadaljevanju.

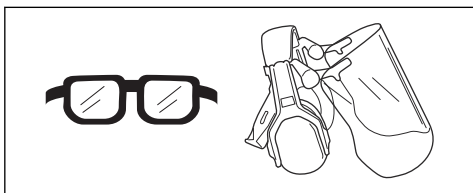
- Pri uporabi izdelka vedno uporabljajte odobreno osebno zaščitno opremo. Osebna zaščitna oprema ne more popolnoma preprečiti poškodb, vendar v primeru nesreče omili posledice. Prodajalec naj vam pomaga izbrati ustrezno opremo.
- Uporabljajte zaščitno čelado, če obstaja nevarnost padajočih predmetov



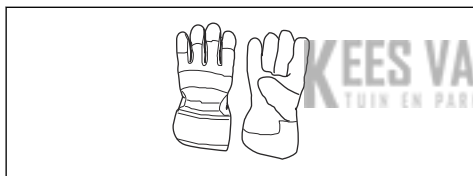
- Nosite homologirano zaščito za sluh, ki ustrezno zmanjšuje hrup. Dolgotrajna izpostavljenost hrupu lahko povzroči trajne okvare sluha.



- Uporabljajte odobreno zaščito oči. Tudi če uporabljate vizir, morate vedno uporabljati tudi homologirana zaščitna očala. Homologirana zaščitna očala morajo biti skladna s standardom ANSI Z87.1 za ZDA ali s standardom EN 166 za države EU.



- Po potrebi uporabite rokavice, npr. kadar pritrjujete, pregledujete ali čistite rezalno opremo.



- Uporabljajte zaščitne škornje z ojačano konico in nestrseim podplatom.



- Uporabljajte oblačila iz trpežnih materialov. Vedno uporabljajte trpežne dolge hlače in dolge rokave. Ne uporabljajte ohlapnih oblačil, ki se lahko zataknejo za vejice ali veje. Ne nosite nakita, kratkih hlač in sandalov in ne hodite bos. Lase si varno spnite nad rameni.

- Paket prve pomoči hranite na dosegu roke.



## Varnostne naprave na izdelku



**OPOZORILO:** Pred uporabo izdelka preberite navodila v povezavi z opozorili v nadaljevanju.

V tem poglavju so opisane varnostne funkcije izdelka, njihov namen ter kako je stroj treba pregledovati in vzdrževati, da bo deloval pravilno. Za mesta delov na izdelku si oglejte navodila v poglavju *Pregled izdelka na strani 96*

Življenjska doba izdelka se lahko zaradi nepravilnega vzdrževanja oziroma zaradi nestrokovnih popravil ali servisiranja skrajša, poveča pa se tudi nevarnost nesreč. Če potrebujete več informacij, se obrnite na najbližjega pooblaščenega servisnega trgovca.



**OPOZORILO:** Nikoli ne uporabljajte izdelka s poškodovanimi varnostnimi deli. Varnostno opremo stroja je treba pregledovati in vzdrževati v skladu z navodili, ki so podana v tem poglavju. Če izdelek ob pregledu ne izpolnjuje vseh opisanih pogojev, se nemudoma obrnite na pooblaščenega serviserja za popravilo.

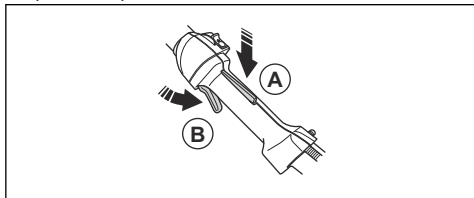


**POZOR:** Vsa servisna dela in popravila na stroju zahtevajo posebno usposabljanje. To še posebej velja za varnostno opremo stroja. Če pri spodaj opisanem pregledu ugotovite, da kateri koli del stroja ne deluje tako, kot je opisano spodaj, se nemudoma obrnite na pooblaščenega servisno delavnico. Pri nakupu vseh naših izdelkov vam jamčimo dostop do strokovnih popravil in servisa. Če stroja niste kupili v kateri od naših pooblaščenih servisnih prodajaln, vprašajte prodajalca, kje je najbližja pooblaščenca servisna delavnica.

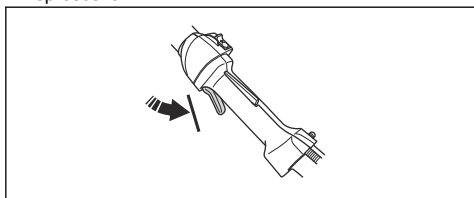
## Preverjanje delovanja zaklepa ročice plina

Zapora plina je zasnovana tako, da preprečuje neželeno uporabo ročice za plin.

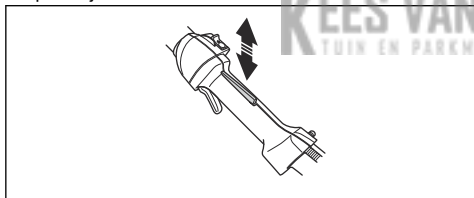
1. Pritisnite zaporo ročice za plin (A) in preverite, ali je ročica za plin sproščena (B). Ko sprostite ročico za plin, se ročica in zapora plina pomakneta nazaj v svoja izhodiščna položaja. Njuno gibanje uravnava med seboj neodvisni povratni vzmeti. Ta sistem zagotavlja, da se uravnavanje plina samodejno prestavi v prosti tek.



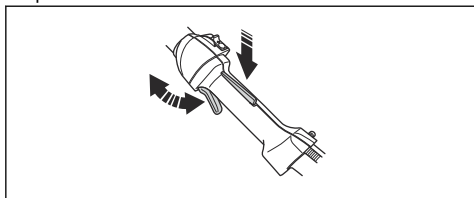
2. Prepričajte se, da je ročica plina zaklenjena v položaju prostega teka, ko je zapora plina sproščena.



3. Pritisnite zaklep ročice plina in ročico plina ter se prepričajte, da se po sprostitvi vrne v izhodiščni položaj.

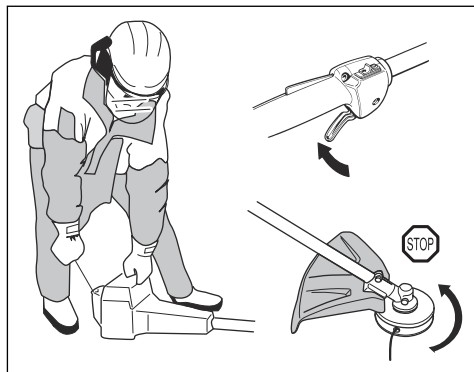


4. Preverite, ali se ročica plina in zapora plina premikata neovirano in njeni povratni vzmeti delujeta pravilno.



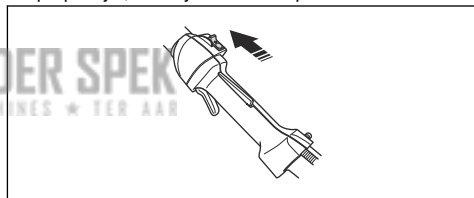
5. Zaženite izdelek (glejte navodila v poglavju *Zagon izdelka na strani 108*) in pritisnite polni plin.

6. Izpustite ročico plina in se prepričajte, da se rezalni priključek ustavi in obmiruje. Če se rezalni priključek vrtil, ko je ročica plina v položaju prostega teka, je treba preveriti nastavitve uplinjalnika v prostem teku. Glejte navodila v poglavju *Vzdrževanje na strani 109*.



#### Preverjanje izklopnega stikala

1. Zaženite motor.
2. Izklopno stikalo premaknite v položaj za izklop in se prepričajte, da se je motor izklopil.



#### Preverjanje ščitnika rezalnega priključka



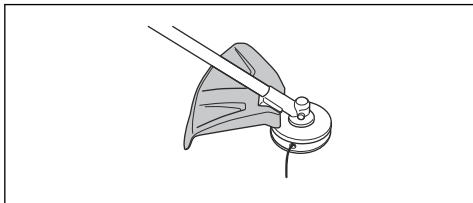
**OPOZORILO:** Rezalnega priključka ne uporabljajte brez odobrenega in pravilno nameščenega ščitnika rezalnega priključka. Glejte razdelek *Dodatna oprema na strani 115*.



**OPOZORILO:** Vedno uporabljajte priporočen ščitnik za nameščen rezalni priključek. Če uporabite pokvarjen ali napačen ščitnik rezalnega priključka, lahko pride do resnih telesnih poškodb. Glejte razdelek *Tehnični podatki na strani 114*.

Ščitnik rezalnega priključka preprečuje poškodbe zaradi izmeta predmetov v smeri uporabnika. Prav tako

preprečuje poškodbe, do katerih bi prišlo, če bi se dotaknili rezalnega priključka.



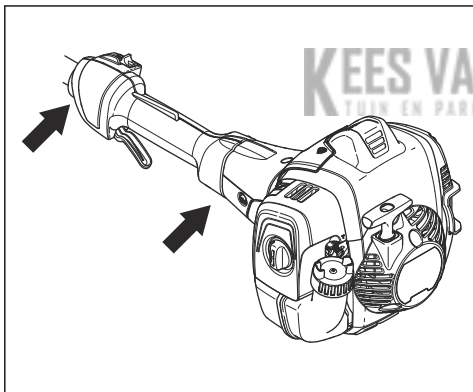
1. Vizualno preverite, da ni prisotnih poškodb, npr. razpok.
2. Če je ščitnik rezalnega priključka poškodovan, ga zamenjajte.

### Preverjanje sistema za dušenje treslajev



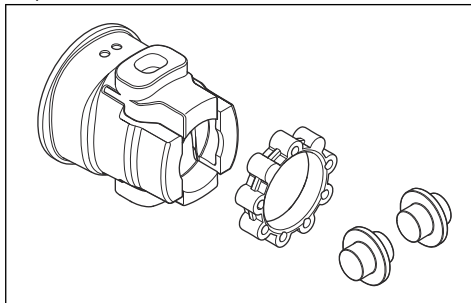
**OPOZORILO:** Zaradi nepravilno navite rezalne nitke ali nepravilnega rezalnega priključka se povečajo tresljaji.

Sistem za dušenje treslajev zmanjša tresljaje v ročajih na minimum, kar olajša uporabo. Sistem za blaženje treslajev izdelka zmanjšuje prenos vibracij med motorno enoto in enoto gredi.

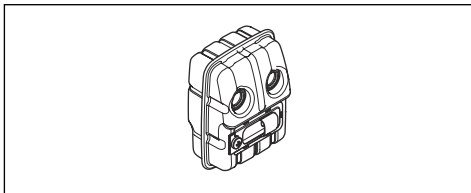


1. Izklopite motor.
2. Vizualno preverite, da ni prisotnih deformacij in poškodb, na primer razpok.

3. Prepričajte se, da so elementi za blaženje treslajev pravilno nameščeni.

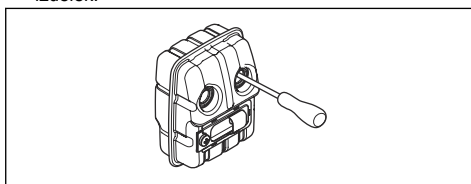


### Preverjanje dušilnika

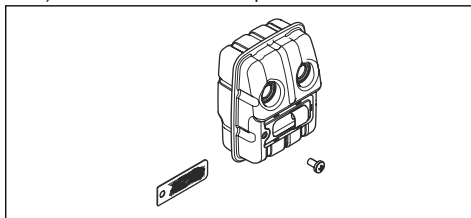


Dušilnik zmanjšuje nivo hrupa na najnižjo možno raven in odvaja izpušne pline stran od uporabnika.

- Vizualno preverite, da ni prisotnih poškodb in deformacij.
- Poskrbite, da je dušilnik pravilno nameščen na izdelek.



- Če ima dušilnik na vašem izdelku mrežico lovilnika iskric, jo vizualno preverite. Če je mrežica lovilnika iskric poškodovana, jo zamenjajte.
  - a) Če je mrežica lovilnika iskric zamašena, jo očistite. Zamašena mrežica lovilnika iskric povzroči pregrevanje motorja in posledične poškodbe motorja.
  - b) Lovilnik isker mora biti pravilno nameščen.



## Varna uporaba goriva



**OPOZORILO:** Pred uporabo izdelka preberite navodila v povezavi z opozorili v nadaljevanju.

- Izdelka nikoli ne uporabljajte, če je po njem polito gorivo. Razlitje zbrišite in počakajte, da ostanki goriva izhlapijo.
- Izdelka nikoli ne uporabljate, če ste po sebi ali oblačilih polili gorivo. Umijte dele telesa, ki so prišli v stik z gorivom, in se preoblecite. Uporabljajte milo in vodo.
- Nikoli ne uporabljajte izdelka, če pušča gorivo. Redno preverjajte tesnost pokrova posode za gorivo in dovode goriva.
- Izdelek vedno odložite na ravno površino tako, da rezilo med dolivanjem goriva ne more priti v stik z nobenim predmetom.
- Bodite previdni, kadar rokujete z gorivom. Bodite pozorni na nevarnost požara, eksplozije in poškodb pri vdihavanju.
- Pri delu z gorivom zato zagotovite zadostno prezračevanje. Gorivo in hlapi goriva so izredno lahko gorljivi in lahko povzročijo resne poškodbe, če jih vdihamo ali če pridejo v stik s kožo.
- Goriva ne mešajte in dolivajte v zaprtem prostoru ali v bližini isker ali plamena.
- V bližini goriva ne kadite in ne postavljajte vročih predmetov.
- Pred ponovnim dolivanjem goriva motor vedno zaustavite in pustite, da se ohladi.
- Pri ponovnem dolivanju pokrovček posode za gorivo odpirajte počasi, da se bo morebitni odvečni tlak počasi znižal.

- Po ponovnem dolivanju z gorivom previdno privijte pokrov za gorivo.
- Očistite področje okrog pokrova za gorivo. Umazanija v posodi za gorivo povzroča motnje v delovanju.
- Pred zagonom izdelek vsaj za 3 m (10 čevljev) premaknite s kraja, na katerem ste ga polnili z gorivom, in stran od vira goriva.

## Varnostna navodila za vzdrževanje



**OPOZORILO:** Izklopite motor pred vsakim delom na rezalnem priključku. Rezalni priključek se vrti tudi po sprostitvi ročice za plin. Pred delom na rezalnem priključku se prepričajte, da se je ta popolnoma zaustavil, nato pa odklopite svečko.



**OPOZORILO:** Napačen rezilni priključek veča nevarnost nesreč pri delu.



**OPOZORILO:** Nitka trimerja mora biti trdno in enakomerno navita okrog kolata, saj v nasprotnem primeru nastajajo zdravju škodljivi tresljaji v stroju.

- Uporabljajte samo rezalne priključke s ščitniki, ki jih priporočamo. Glejte razdelek *Dodatna oprema na strani 115*.

## Montaža

### Uvod



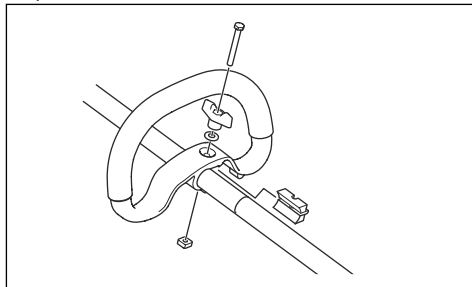
**OPOZORILO:** Preden sestavite izdelek morate prebrati in razumeti poglavje o varnosti.



**OPOZORILO:** Preden sestavite izdelek odklopite kabel vžigalne svečke s svečke.

### Namestitev okroglega ročaja

- Okrogli ročaj postavite na gred med obema pušicama.

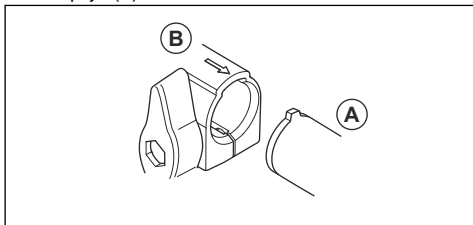


- V režo okroglega ročaja potisnite distančnik.
- Namestite matico, gumbni vijak in vijak. Ne zategnite do konca.

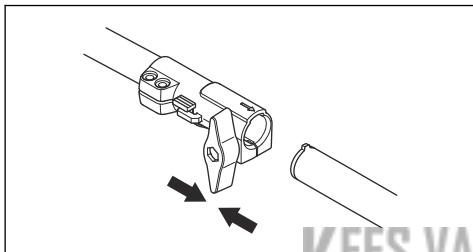
4. Izdelek si nastavite v najprimernejši delovni položaj.
5. Zategnite gumbni vijak.

## Namestitev dvodolne gredi

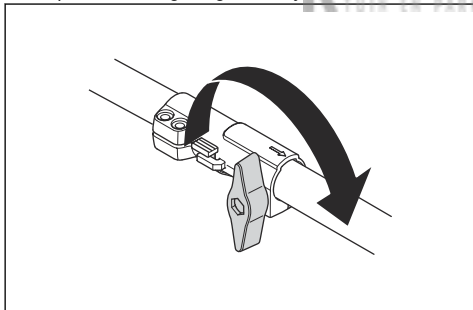
1. Obrnite gumbni vijak za sprostitev priključek gredi.
2. Jeziček rezalnega priključka (A) poravnajte s puščico na spojki (B).



3. Previdno potisnite gred v spojko, da se slišno zaskoči.

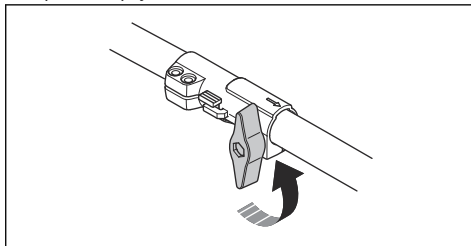


4. Popolnoma zategnite gumbni vijak.

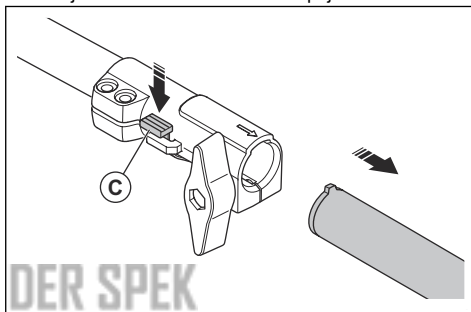


## Razstavljanje dvodolne gredi

1. Gumbni vijak obrnite za 3 obrate ali več in tako sprostite spojko.

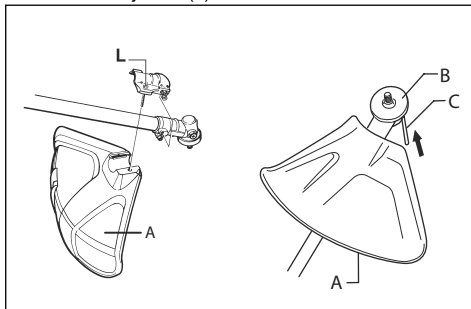


2. Pritisnite in pridržite gumb (C).
3. Trdno držite konec gredi, na katero je pritrjen motor.
4. Priključek izvlcite naravnost iz spojke.



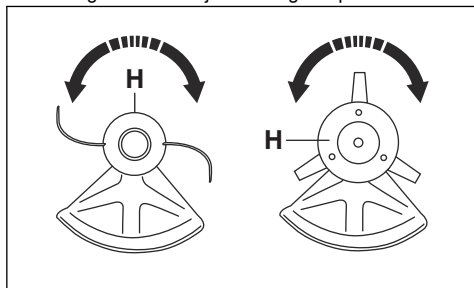
## Namestitev ščitnika rezalnega priključka in kosilne glave

1. Namestite pravi ščitnik rezalnega priključka (A) za kosilno glavo. Glejte razdelek *Dodatna oprema na strani 115*.
2. Ščitnik rezalnega priključka namestite na nastavke na gredi.
3. Pritrdite z vijakom (L).



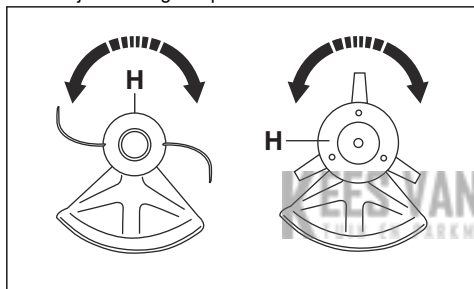
4. Namestite pogonski disk (B) na pogonsko gred.
5. Obračajte pogonsko gred, dokler se ena od odprtin v pogonskem disku ne poravnava z ustrezno odprtino v ohišju menjalnika.

- Vstavite blokirni zatič (C) v odprtino, da zaklenete gred.
- Kosilno glavo/plastična rezila (H) zavrtite v nasprotni smeri glede na vrtenje kosilne glave/plastičnih rezil.

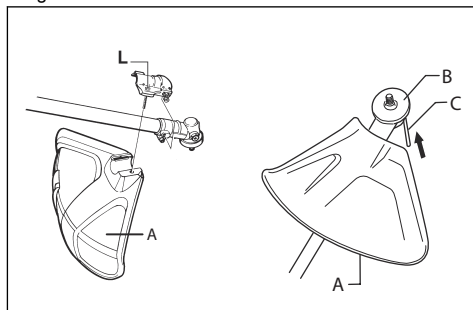


### Odstranitev ščitnika rezalnega priključka in rezalne glave

- Kosilno glavo/plastična rezila (H) obrnite v smeri vrtenja kosilne glave/plastičnih rezil.



- Zaklenite gred, tako da v odprtino vstavite blokirni zatič (C).
- Pogonski disk (B) odstranite s pogonske gredi.
- Sprostite vijak (L) z nastavka rezalnega priključka na gredi.



- Odstranite ščitnik rezalnega priključka (A).

## Delovanje

### Gorivo

Ta izdelek ima dvotaktni motor.



**POZOR:** Če uporabite neustrezno vrsto goriva, lahko poškodujete motor. Uporabite mešanico bencina in olja za dvotaktne motorje.

### Bencin

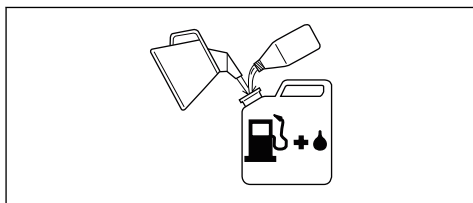


**POZOR:** Vedno uporabite kakovostno mešanico bencina in olja – bencin mora biti najmanj 90-oktanski (RON). Manj oktanska goriva lahko povzročijo klenkanje. S tem se poveša temperatura motorja, ki lahko povzroči resne poškodbe motorja.



**POZOR:** Če je izdelek opremljen s katalizatorjem, morate uporabljati kakovostno mešanico bencina in olja. Osvinčeni bencin uniči katalizator.

- Če je na voljo, vedno uporabljajte bencin z nizkimi vrednostmi izpustov, ki se imenuje tudi alkilatni bencin.



- Uporabite lahko gorivo E10, mešano z etanolom (vsebnost etanola naj ne bo višja od 10%) Uporaba mešanic, ki imajo vsebnost etanola višjo od E10,

lahko ustvari delovne pogoje pri katerih lahko pride do poškodb motorja.

- Pri neprekinjenem delu z višjim številom vrtljajev je priporočena uporaba bencina z višjo oktansko vrednostjo.

## Alkilatno gorivo Husqvarna

Za čim boljše učinkovitost je priporočena uporaba alkilatnega goriva Husqvarna. V gorivu je manj nevarnih snovi v primerjavi z običajnim gorivom, kar zmanjšuje količino nevarnih izpušnih plinov. Po zgorevanju goriva je količina nevarnih ostankov manjša, zaradi česar so deli motorja čistejši. To podaljšuje življenjsko dobo motorja. Alkilatno gorivo Husqvarna ni na voljo na vseh trgih.

## Olje za dvotaktne motorje



**POZOR:** Nezadostna kakovost olja in/ali nepravilno razmerje med oljem in gorivom lahko poškodujeta izdelek in skrajšata življenjsko dobo katalizatorjev.



**POZOR:** Ne uporabljajte olja za vodno hlajene izvenkrmne dvotaktne motorje.



**POZOR:** Ne uporabljajte olja za štiriltaktne motorje.

- Za čim boljše rezultate in zmogljivost uporabite olje za dvotaktne motorje Husqvarna.
- Če olje za dvotaktne motorje Husqvarna ni na voljo, lahko uporabite drugo kakovostno olje za dvotaktne motorje z zračnim hlajenjem. Za izbiro ustreznega olja se obrnite na servisnega zastopnika.

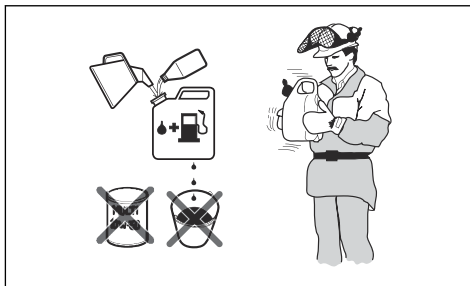
Bencin, l	Olje za dvotaktne motorje, l
	<b>2 % (50 : 1)</b>
5	0,10
10	0,20
15	0,30
20	0,40

## Mešanica bencina in olja za dvotaktne motorje



**POZOR:** Pri mešanju manjših količin goriva obstaja nevarnost, da manjša odstopanja močnejše vplivajo na razmerje mešanice. Natančno izmerite količino olja, ki

ga želite dodati in tako ustvarite pravilno mešanico.

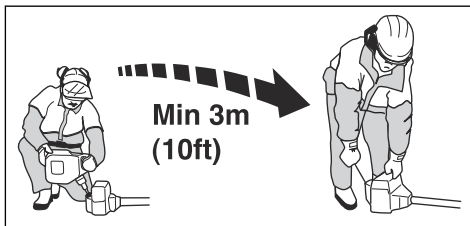


1. Dolijte polovico bencina, ki ga boste uporabili.
2. Nato prilijte celotno količino olja za mešanico in pretresite.
3. Dodajte še preostalo količino bencina.
4. Predvidno premešajte mešanico goriva in napolnite posodo za gorivo izdelka.
5. Če izdelka nekaj časa ne nameravate uporabljati, izpraznite posodo za gorivo.

**Opomba:** V čisti posodi za gorivo naenkrat namešajte gorivo največ za 1 mesec uporabe.

## Polnjenje posode za gorivo

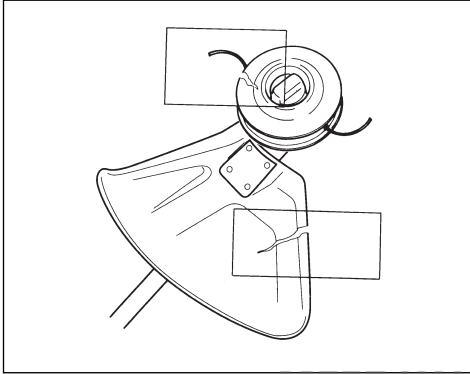
1. Očistite področje okrog pokrova posode za gorivo.
2. Pretresite posodo in tako poskrbite za ustrezno mešanje goriva. Uporabljajte posodo za gorivo z ventilom proti izlivanju.
3. Napolnite posodo za gorivo.
4. Zategnite pokrovček posode za gorivo.
5. Pred zagonom izdelek vsaj za 3 m (10 čevljev) premaknite s kraja, na katerem ste ga polnili z gorivom, in stran od vira goriva.



**POZOR:** Umazana posoda za gorivo povzroča motnje pri delovanju. Redno čistite posodo za gorivo in verigo in vsaj enkrat letno zamenjajte filter za gorivo.

## Pred uporabo izdelka

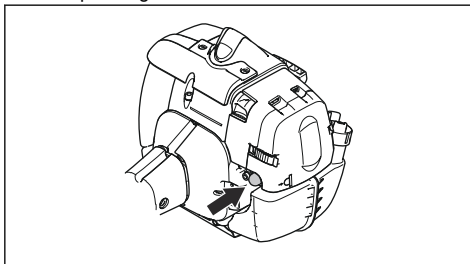
- Preglejte delovno območje, da se seznanite z vrsto terena. Preverite naklon terena in se seznanite z morebitnimi ovirami, na primer kamenjem, vejami in jarki.
- Opravite generalni pregled izdelka.
- Opravite varnostne preglede, vzdrževanje in servisiranje, ki so navedeni v tem priročniku.
- Vsi pokrovi, ščitnik trimerja in kosilna glava morajo biti pravilno nameščeni in ne smejo biti poškodovani ali počeni. Če so bili izpostavljeni udarcem ali so počeni, jih zamenjajte.



**OPOZORILO:** Ne uporabljajte izdelka brez ščitnika ali s počenim ščitnikom.

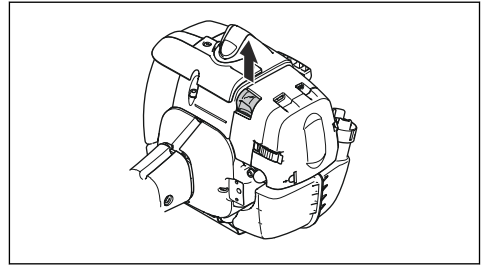
## Priprava izdelka na zagon

1. Membrano črpalke goriva pritiskajte toliko časa, da se napolni z gorivom.



**Opomba:** Mehurčka ni treba napolniti do konca.

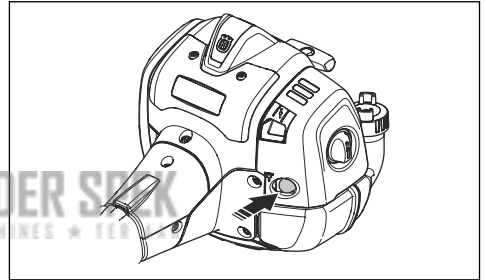
2. Ročico čoka dvignite v položaj za čok.



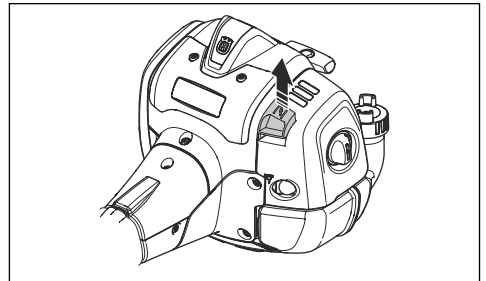
**OPOZORILO:** V primeru zagona motorja s čokom se začne rezalni priključek nemudoma vrteti.

## Priprava hladnega motorja na zagon

1. Membrano črpalke goriva pritiskajte toliko časa, da se napolni z gorivom. Membrane črpalke za gorivo ni treba povsem napolniti.



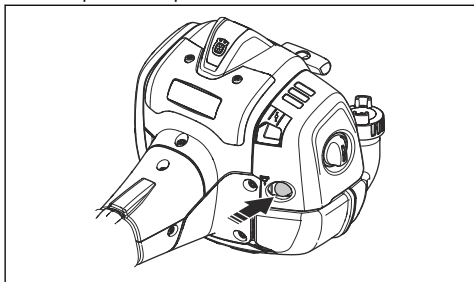
2. Ročico čoka dvignite v položaj za čok.



**OPOZORILO:** V primeru zagona motorja s čokom se začne rezalni priključek nemudoma vrteti.

## Priprava toplega motorja na zagon

1. Membrano črpalke goriva pritiskajte toliko časa, da se napolni z gorivom. Membrane črpalke za gorivo ni treba povsem napolniti.



2. Povlecite zaganjalno vrstico, dokler ne zaženete motorja. Ročico plina postopoma pritiskajte in počasi zvišujete hitrost.



**POZOR:** Zaganjalne vrstice ne povlecite do konca. Ko je zaganjalna vrstica popolnoma izvlečena, ne izpusťite ročice. Izdelek se lahko tako poškoduje.

## Zagon izdelka



**OPOZORILO:** Pred zagonom izdelka preberite varnostna navodila v poglavju o varnosti (glejte *Varnost na strani 98*).

1. Uporabljajte zaščitne rokavice.
2. Z levo roko pritisnite ohišje izdelka ob tla.



**POZOR:** Ne uporabljajte stopal!

3. Primite ročico zaganjalne vrstice.
4. Počasi povlecite zaganjalno vrstico z desno roko, dokler ne začutite upora (zaganjalnik začne vprijeti).



**OPOZORILO:** Zaganjalne vrstice ne navijajte okoli zapeljaja.

5. Hitro in močno povlecite vrstico.



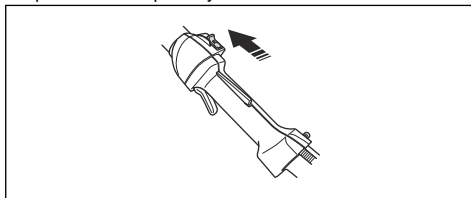
**POZOR:** Zaganjalne vrstice nikoli ne izvlecite do konca. Ko je vrstica popolnoma izvlečena, ročice zaganjalnika ne izpusťite. Izdelek se lahko tako poškoduje.

6. Zaganjalno vrstico povlecite večkrat, dokler ne zaženete motorja.
7. Ko motor zaženete, ponastavite čok.

8. Po zagonu motorja postopoma pritiskajte ročico za plin.
9. Prepričajte se, da motor gladko deluje.

## Kako izklopiti izdelek

1. Motor izklopite tako, da stikalo za zaustavitev premaknete v položaj za zaustavitev.

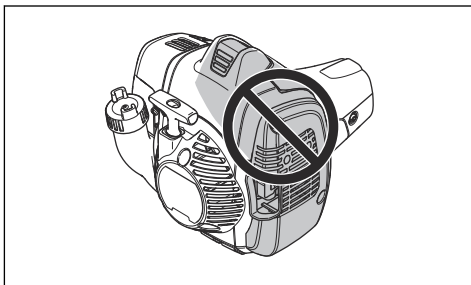


**POZOR:** Izklopno stikalo se samodejno vrne v začetni položaj. Za preprečevanje nenamernega zagona, morate pri sestavljanju, preverjanju in/ali vzdrževanju pokrovček svečke odstraniti s svečke.

## Podatki o površini



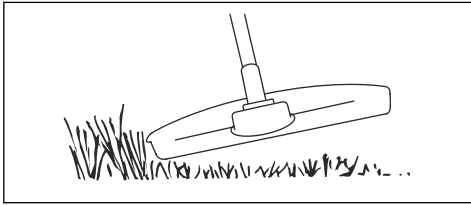
**OPOZORILO:** Ne dotikajte se območja, ki je na sliki označen s sivo barvo. Na mestih, kjer je izdelek vroč, obstaja nevarnost nastanka opeklin. V primeru poškodbe pokrovčka svečke obstaja nevarnost električnega udara. Izdelka ne uporabljajte s poškodovanim pokrovčkom svečke.



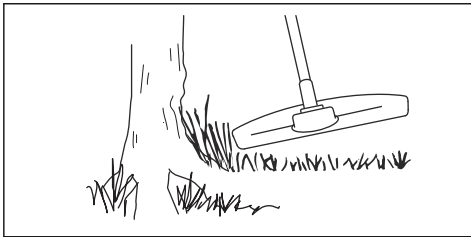
## Prerezovanje trave s kosilno glavo

### Obrezovanje trave

1. Kosilno glavo držite tik nad tlemi pod kotom. Kosilne nitke ne potiskajte v travo.

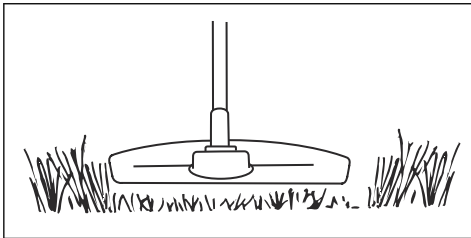


2. Skrajšajte kosilno nitko za 10–12 cm/4–4,75 in.
3. Znižajte št. vrt. motorja, da ne poškodujete rastlin.
4. Ko obrezujete travo v bližini predmetov, uporabljajte 80 % plina.

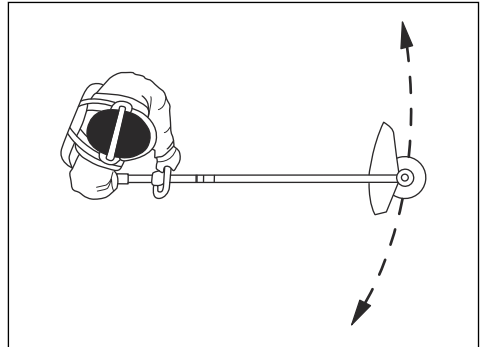


### Košenje trave

1. Pri košnji trave naj bo kosilna nitka vedno vzporedna s tlemi.



2. Kosilne glave ne potiskajte ob tla. Izdelek se lahko tako poškoduje.
3. Pri košnji izdelek premikajte iz ene strani na drugo. Uporabite najvišje število vrtljajev.



### Pometanje trave

Zračni tok iz vrteče se kosilne nitke je mogoče uporabiti za odstranjevanje trave z določenega območja.

1. Kosilno glavo in njeno nitko držite vzporedno s tlemi, in sicer nad tlemi.
2. Dodajte polni plin.
3. Kosilno glavo premikajte od ene strani na drugo in tako pometite travo.



**OPOZORILO:** Očistite pokrov kosilne glave vsakič, ko nameščate novo kosilno nitko, in tako preprečite neravnovesje in vibracije pri ročajih. Preglejte tudi druge dele kosilne glave in jih po potrebi očistite.

## Vzdrževanje

### Urniki vzdrževanja



**OPOZORILO:** Izvajajte le vzdrževalna in servisna dela, ki so navedena v teh

navodilih za uporabo. O vzdrževalnih in servisnih posegih, ki niso navedeni v teh navodilih za uporabo se posvetujte z najbližjim servisnim zastopnikom.

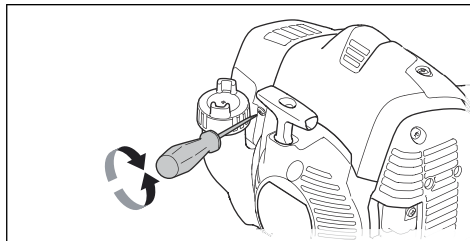
Vzdrževanje	Dnevno	Teden-sko	Mesečno
Očistite zunanjo površino.	X		
Prepričajte se, da zapora ročice plina in ročica plin delujeta pravilno.	X		

Vzdrževanje	Dnevno	Teden- sko	Mesečno
Preverite delovanje izklopnega stikala in se prepričajte, da deluje pravilno.	X		
Prepričajte se, da se rezalni priključek ne vrti s hitrostjo prostega teka.	X		
Očistite zračni filter. Po potrebi zračni filter zamenjajte.	X		
Preverite, ali je ščitnik rezalnega priključka poškodovan ali razpokan. Če je ščitnik obtolčen ali poškodovan, ga zamenjajte.	X		
Preverite, ali so na kosilni glavi poškodbe ali razpoke. Če je kosilna glava poškodovana, jo zamenjajte.	X		
Prepričajte se, da so vijaki in matice dobro priviti.	X		
Preglejte, ali iz motorja, posode ali cevi za gorivo izteka gorivo.	X		
Očistite hladilni sistem.		X	
Preverite, ali sta zaganjalnik in zaganjalna vrstica poškodovana.		X	
Preverite, ali so elementi za dušenje tresljajev poškodovani ali razpokani.		X	
Očistite zunanje dele svečke. Odstranite jo in preverite razdaljo med elektrodama. Nastavite pravilno razdaljo med elektrodama, glejte <i>Tehnični podatki na strani 114</i> , ali zamenjajte svečko. Prepričajte se, da je svečka opremljena z zaščito proti motnjam.		X	
Očistite zunanje dele uplinjalnika in območje okrog njega.		X	
Preverite kotni prenos in se prepričajte, da je do $\frac{3}{4}$ napolnjen z mastjo. Kotni prenos po potrebi napolnite s posebno mastjo Husqvarna.		X	
Očistite ali zamenjajte mrežico lovilnika isker na dušilniku (velja samo za dušilnike brez katalizatorja).		X	X
Preverite, ali je filter goriva umazan in ima cev goriva razpoke ali druge pomanjkljivosti. Dele po potrebi jih zamenjajte.			X
Preverite vse kable in priključke.			X
Po potrebi zamenjajte sklopko, vzmeti sklopke ali boben sklopke; obrnite se na svojega servisnega zastopnika.			X
Zamenjajte svečko. Prepričajte se, da je svečka opremljena z zaščito proti motnjam.			X

## Prilaganje hitrosti prostega teka

1. Prepričajte se, da je zračni filter čist in je njegov pokrov nameščen.

2. Prosti tek nastavite z nastavitvenim vijakom za prosti tek. Vijak za prilagoditev prostega teka T je označen z oznako "T".



3. Vijak za prilaganje obračajte v smeri urinega kazalca, dokler se rezalni priključek ne začne vrteti.

4. Vijak za prilagajanje obračajte v nasprotni smeri vrtenja urinih kazalcev, dokler se rezalni priključek ne ustavi.

Hitrost prostega teka je nastavljena pravilno, ko motor deluje enakomerno v vsakem položaju. Hitrost prostega teka mora biti nižja od hitrosti, pri kateri se rezalni priključek začne vrteti.



**OPOZORILO:** Če se rezalni priključek po spremembi hitrosti v prostem teku ne zaustavi, se obrnite na servisnega zastopnika. Izdelka ne uporabljajte, dokler ni pravilno nastavljen ali popravljen.

**Opomba:** Za priporočeno hitrost v prostem teku glejte *Tehnični podatki na strani 114*.

## Vzdrževalna dela na kosilni glavi

1. Uporabljajte samo priporočen rezalni priključek in priporočen ščitnik rezalnega priključka. Glejte razdelek *Dodatna oprema na strani 115*.
2. Rezilo na ščitniku rezalnega priključka ne sme biti poškodovano, saj ta nitko odreže za pravilni dolžini.
3. Nitko namestite v skladu s slikami a zadnjih straneh navodil.

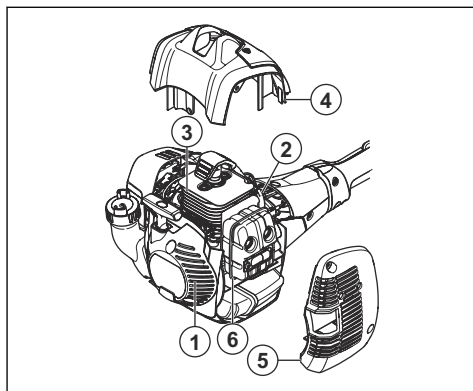
## Hladilni sistem

Izdelek je opremljen s hladilnim sistemom, ki skrbi za čim nižjo delovno temperaturo.

Vsak teden, pri zahtevnejših pogojih uporabe pa tudi pogosteje, s krtačko očistite dele hladilnega sistema. Umazan ali zamašen hladilni sistem povzroča pregrevanje izdelka, zaradi česar pride do poškodb bata in valja.

Sestavni deli hladilnega sistema:

1. Reže za dovod zraka na zaganjalniku.
2. Rebra na vztrajniku.
3. Hladilna rebra na valju.
4. Pokrov valja.
5. Pokrov dušilnika.
6. Ploščica dušilnika.



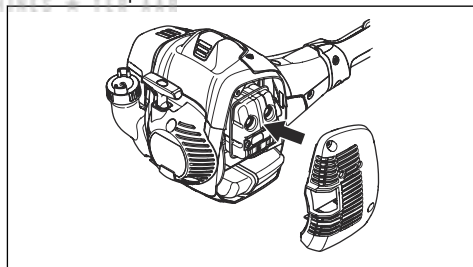
## Vzdrževanje dušilnika

Dušilnik znižuje nivo hrupa in usmerja izpušne pline stran od uporabnika.

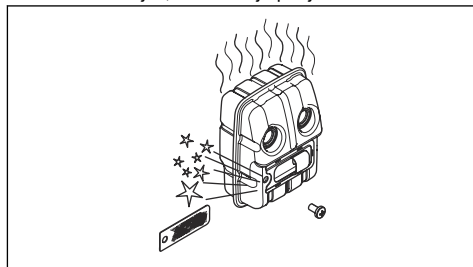


**OPOZORILO:** Dušilniki s katalizatorji se med uporabo močno segrejejo in ostajajo vroči še nekaj časa po izklopu izdelka. To velja tudi, kadar je motor v prostem teku. Če se dotaknete izdelka, lahko pride do opeklin kože. Zavedajte se nevarnosti požara.

1. Izdelek zaustavite in počakajte, da se ohladi.
2. Odstranite pokrov dušilca.



3. Odstranite vijak, s katerim je pritrjen lovilnik isker.



4. Če je lovilnik isker zamašen, ga očistite, če je poškodovan, pa ga zamenjajte.



**POZOR:** Poškodovan lovilnik isker je treba zamenjati. Izdelka ne uporabljajte, če lovilnik isker ni nameščen ali je poškodovan.



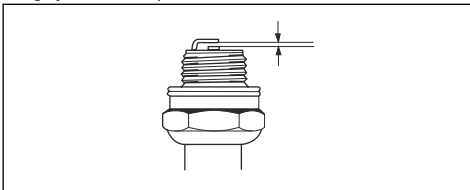
**POZOR:** Če je mrežica lovilnika isker pogosto zamašena, je to lahko znak, da je delovanje katalizatorja poslabšano. Dušilnik naj pregleda servisni zastopnik. Zamašen lovilnik isker povzroča pregrevanje, kar povzroči poškodbe valja in bata.

## Pregled svečke



**POZOR:** Vedno uporabljajte priporočeno vrsto svečke. Zaradi neustrezne vrste vžigalne svečke se izdelek lahko poškoduje.

- Če se moč motorja zmanjša, motorja ni mogoče enostavno zagnati ali ta ne deluje ustrezno v prostem teku, preglejte vžigalno svečko.
- Tveganje za pojav oblog na elektrodah vžigalne svečke lahko zmanjšate tako, da upoštevate ta navodila:
  - a) Hitrost prostega teka mora biti pravilno nastavljena.
  - b) Mešanica goriva mora biti ustrezna.
  - c) Zračni filter mora biti čist.
- Če je vžigalna svečka umazana, jo očistite in zagotovite, da je razmak med elektrodama ustrezen; glejte *Tehnični podatki na strani 114*.



- Vžigalno svečko po potrebi zamenjajte.

## Zračni filter.

Z odstranjevanjem prahu in umazanije z zračnega filtra ohranjate čistočo in preprečite:

- Okvare uplinjalnika.
- Težave ob zagonu.
- Izgubo moči motorja.
- Nepotrebno obrabo delov motorja.
- Prekomerno porabo goriva.

Zračni filter čistite vsakih 25 ur ali pogosteje, če je v zraku več prahu.

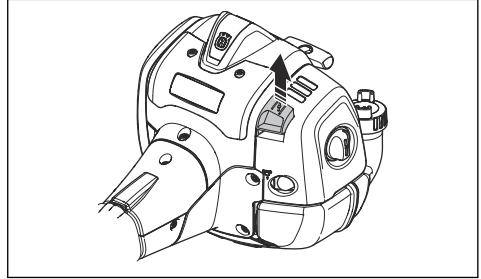
## Čiščenje zračnega filtra



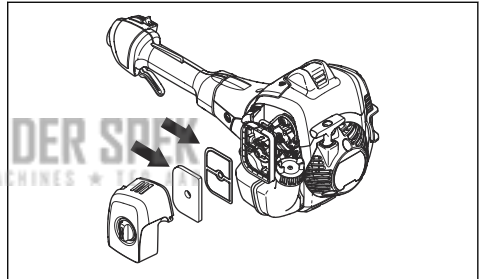
**POZOR:** Poškodovan, izjemno umazan ali premočen zračni filter je treba obvezno zamenjati.

Če filter uporabljate dlje časa, ga ni mogoče popolnoma očistiti. Zračne filtre menjajte z novimi v rednih intervalih.

1. Ročico čoka premaknite navzgor za zapiranje dušilnega ventila.



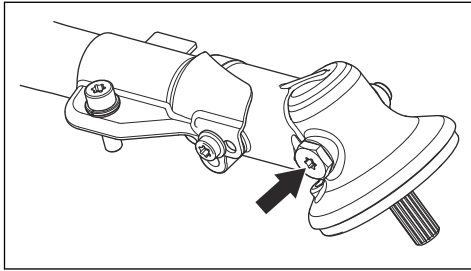
2. Odstranite pokrov zračnega filtra in zračni filter.



3. Zračni filter očistite s toplo milnico.
4. Če je zračni filter preveč umazan, da bi ga lahko temeljito očistili, ga zamenjajte. Če je zračni filter poškodovan, ga zamenjajte.
5. Očistite tudi notranjo površino pokrova filtra. Uporabite zrak ali krtačko.
6. Redno preverjajte površino gumijastega tesnila. Če je filter na gumijastem tesnilu poškodovan, ga zamenjajte.
7. Pred ponovno namestitvijo mora biti filter povsem suh.

## Kotni prenos

Kotni prenos je v tovarni napolnjen s pravilno količino masti. Kljub temu morate pred uporabo preveriti, ali je kotni prenos z mastjo napolnjen do 3/4. Uporabite posebno mast Husqvarna.

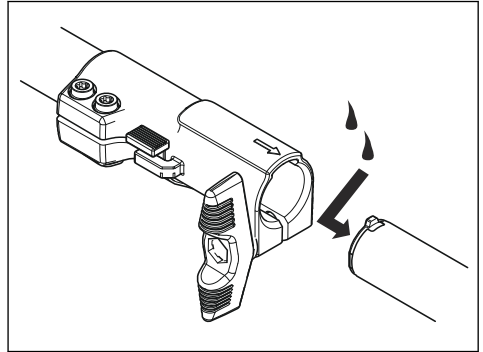


Masti v kotnem prenosu običajno ni treba menjati, razen v primeru popravil.

## Dvodelna gred

Nanesite mast na končni del pogonske gredi na vsakih 30 delovnih ur. Obstaja namreč nevarnost, da se konci

pogonske osi (zvezni deli) na strojih z deljivim držajem spojijo in jih ni mogoče več razstaviti, če jih ne mastite redno.



## Odpravljanje težav

### Motorja ni mogoče zagnati

Kontrola	Možen vzrok	Postopek
Izklopno stikalo.	Prepričajte se, da je izklopno stikalo v položaju za izklop.	Izklopno stikalo premaknite v položaj za zagon.
Zaskočne kljukice zaganjalnika.	Zaskočne kljukice zaganjalnika se ne morejo prosto premikati.	Odstranite pokrov zaganjalnika in očistite območje zaskočnih kljukic zaganjalnika. Za pomoč prosite pooblaščen servisno delavnico.
Posoda za gorivo.	Neprava vrsta goriva.	Izpraznite posodo za gorivo in jo napolnite s pravilnim gorivom.
Svečka.	Svečka je umazana ali mokra.	Poskrbite, da je svečka suha in čista.
	Razmak med elektrodama vžigalne svečke ni pravilen.	Očistite svečko. Prepričajte se, da je razmak med elektrodama pravilen. Prepričajte se, da ima svečka zaščito proti motnjam. Ustrezen razmak med elektrodama si oglejte v tehničnih podatkih.
	Svečka ni čvrsto nameščena.	Zategnite svečko.

### Motor se zažene, vendar se ponovno zaustavi

Kontrola	Možen vzrok	Postopek
Posoda za gorivo.	Neprava vrsta goriva.	Izpraznite posodo za gorivo in jo napolnite s pravilnim gorivom.

Kontrola	Možen vzrok	Postopek
Zračni filter.	Zračni filter je zamašen.	Očistite zračni filter.

## Prevoz in skladiščenje

### Prevoz in skladiščenje

- Izdelek in gorivo skladiščite in prevažajte tako, da gorivo ali hlapi ne pridejo v stik z iskrami ali odprtim ognjem, na primer iz električnih naprav, električnih motorjev, električnih relejev/stikal ali grelnikov vode.
- Pri skladiščenju in transportu goriva vedno uporabljajte homologirane, temu namenjene posode.
- Pri skladiščenju izdelka za daljše obdobje mora biti posoda za gorivo prazna. Na najbližji bencinski črpalki se seznanite s postopkom odstranitve odvečnega goriva. Vsebino posode v dobro prezračevanem prostoru pretočite v ustrezne posode.
- Pred dolgotrajnim skladiščenjem poskrbite, da bo izdelek čist in da bo na njem opravljen popoln servis.
- Pri prevozu ali skladiščenju izdelka mora biti na rezalni priključek vedno nameščena transportna zaščita.
- Med prevozom naj bo izdelek pritrjen.
- Za preprečevanje nenamernega zagona izdelka, mora biti med dolgotrajnim skladiščenjem, če izdelek ni skrbno nadzorovan, in pri izvajanju vseh servisnih opravil, pokrovček svečke vedno odstranjen.
- Pred skladiščenjem se mora motor ohladiti.

## Tehnični podatki

### Tehnični podatki

	525LK
<b>Motor</b>	
Gibna prostornina valja v cm <sup>3</sup>	25,4
Hitrost prostega teka, vrt/min	3000
Priporočeno najvišje število vrtljajev, vrt/min	9500
Hitrost pogonske gredi, vrt./min.	6500
Najv. izhodna moč motorja, v skladu z ISO 8893, kW/KM pri vrt/min	1,5/pri 8500
Dušilnik z katalizatorjem	Da
<b>Vžigalni sistem</b>	
Svečka	NGK BPMR8Y
Razmik elektrod, mm	0,65
<b>Sistem za gorivo in mazanje</b>	
Proizvajalec/vrsta uplinjalnika	Walbro WTEA-8C
Prostornina posode za gorivo v litrih	0,51
<b>Teža</b>	
Brez goriva, rezilnega priključka in ščitnika, kg	4,7

	<b>525LK</b>
<b>Emisije hrupa</b> <sup>9</sup>	
Izmerjen nivo zvočne moči dB (A)	104
Raven zvočne moči, zajamčena L <sub>WA</sub> v dB(A)	106
<b>Nivoji hrupa</b> <sup>10</sup>	
Ekvivalentna raven zvočnega tlaka pri uporabnikovem ušesu, izmerjena v skladu s standardoma EN ISO 11806 in ISO 7917, dB (A), najniž./najv.:	
Opremljeno s kosilno glavo (originalno)	99
<b>Ravni vibracij</b>	
Ekvivalentne ravni tresljajev (a <sub>h<sub>v,eq</sub></sub> ) pri ročajih, izmerjene v skladu z EN ISO 11806 in ISO 22867, m/s <sup>2</sup> :	
Opremljeno s kosilno glavo (originalno), levo/desno	3,0/3,3

## Dodatna oprema

### Dodatna oprema

Priporočena je uporaba dodatne opreme v kombinaciji z navedenimi gnanimi glavami. Dodatna oprema po oceni

švedskega inštituta za preizkušanje strojev izpolnjuje ustrezne standarde ISO in varnostne standarde EN.

Odobren pribor	Vrsta pribora	Ščitnik rezalnega priključka, št. izdelka
Navoj gredi rezila M10		
Plastična rezila	Tricut s premerom 255 mm (posebna rezila imajo številko dela 531 01 77-15)	588 54 37-01/588 11 79-01 503 93 42-02/503 97 71-01
	Tricut s premerom 300 mm (posebna rezila imajo številko dela 531 01 77-15)	588 54 37-01

<sup>9</sup> Emisije hrupa v okolje, merjene kot moč zvoka (L<sub>WA</sub>), v skladu z direktivo ES 2000/14/ES. Navedena raven zvočne moči naprave je bila izmerjena z originalnim rezalnim priključkom, ki dosega najvišjo raven. Razlika med zajamčeno in izmerjeno ravno zvočne moči je v tem, da zajamčena raven zvočne moči, v skladu z direktivo 2000/14/ES, vključuje tudi razpršitev izmerjenih vrednosti in razlike med različnimi napravami istega modela.

<sup>10</sup> Zabeleženi podatki za ekvivalentno raven zvočnega tlaka imajo tipično statistično razpršitev (standardni odklon) 1 dB(A).

Odobren pribor	Vrsta pribora	Ščitnik rezalnega priključka, št. izdelka
Kosilna glava	Trimmy Fix (vrvica s premerom 2,4 mm)	588 54 37-01/588 11 79-01 503 93 42-02/503 97 71-01
	Superauto II (vrvica s premerom 2,4–2,7 mm)	588 54 37-01/588 11 79-01 503 93 42-02/503 97 71-01
	S35 (vrvica s premerom 2,4–3,0 mm)	588 54 37-01/588 11 79-01 503 93 42-02/503 97 71 01
	T25 (vrvica s premerom 2,0-2,7 mm)	588 54 37-01/588 11 79-01 503 93 42-02/503 97 71-01
	T35, T35x (vrvica s premerom 2,4–3,0 mm)	588 54 37-01/588 11 79-01 503 93 42-02/503 97 71-01
	Alloy (vrvica s premerom 2,0–3,3 mm)	588 54 37-01/588 11 79-01 503 93 42-02/503 97 71-01

Homologirani priključki	Za model
Priključek za pometanje SR600-2	525LK
Obrezovalnik žive meje HA110	525LK
Obrezovalnik žive meje HA850	525LK
Robilnik EA850	525LK
Žaga PA1100	525LK
Kosa TA850	525LK
Podaljšek EX850	525LK
Kultivator CA230	525LK
Pihalnik BA101	525LK
Krtača BR600	525LK
Prezračevalnik DT600	525LK
Priključek motorne kose BCA850-24	525LK

---

## Izjava ES o skladnosti

---

### Izjava ES o skladnosti

**Husqvarna AB**SE-561 82 Huskvarna, Švedska, tel.: +46-36-146500, izjavlja, da so trimerji **Husqvarna 525LK** s serijskimi številkami od leta 2016 dalje (leto izdelave, ki mu sledi serijska številka, je jasno navedeno na tipski plošči), skladne z zahtevami DIREKTIVE SVETA:

- z dne 17. maja 2006, ki se nanaša na stroje, **2006/42/ES**
- z dne 26. februarja 2014 o elektromagnetni združljivosti **2014/30/EU**
- z dne 8. maja 2000 o emisijah hrupa v okolje **2000/14/ES**. Ocena skladnosti z Dodatkom V. Za informacije o emisijah hrupa glejte poglavje *Tehnični podatki na strani 114*.
- z dne 8. junija 2011 o omejevanju uporabe nekaterih nevarnih snovi v električni in elektronski opremi **2011/65/EU**.

Uporabljeni so naslednji standardi:

**EN ISO 12100:2010, EN ISO 11806-1:2011, ISO 14982:2009, CISPR 12:2009, EN 50581:2012**

RISE SMP Svensk Maskinprovning AB, Box 7035, SE-750 07 Uppsala, Sweden,, je v imenu Husqvarna AB prostovoljno opravil tipski pregled. Številke certifikatov so: **SEC/13/2382** - 525LK

Huskvarna, 2016-03-30

**KEES VAN DER SPEK**  
TUIN EN PARKMACHINES \* TER AAR



Per Gustafsson, vodja razvoja (pooblaščen zastopnik družbe Husqvarna AB in odgovorna oseba za tehnično dokumentacijo)

**KEES VAN DER SPEK**  
TUIN EN PARKMACHINES ★ TER AAR

**KEES VAN DER SPEK**  
TUIN EN PARKMACHINES ★ TER AAR



[www.husqvarna.com](http://www.husqvarna.com)

KEES VAN DER SPEK  
TUIN EN PARKMACHINES ★ TER AAR

Original instructions  
Instructions d'origine  
Originele instructies

1154744-20

Originalanweisungen  
Izvirna navodila



2021-02-20