

SPARE PARTS CATALOGUE
BRUSHCUTTERS/CLEARING SAWS: HUSQVARNA 545FXT

KEES VAN DER SPEK
TUIN EN PARKMACHINES * TER AAR

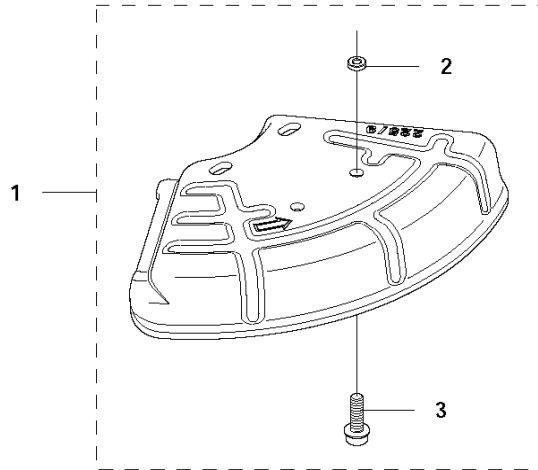
Spare Parts List

SPARE PARTS LIST

BRUSHCUTTERS/CLEARING SAWS

HUSQVARNA 545FXT

R6 545 FX, 545 FXT
ACCESSORIES



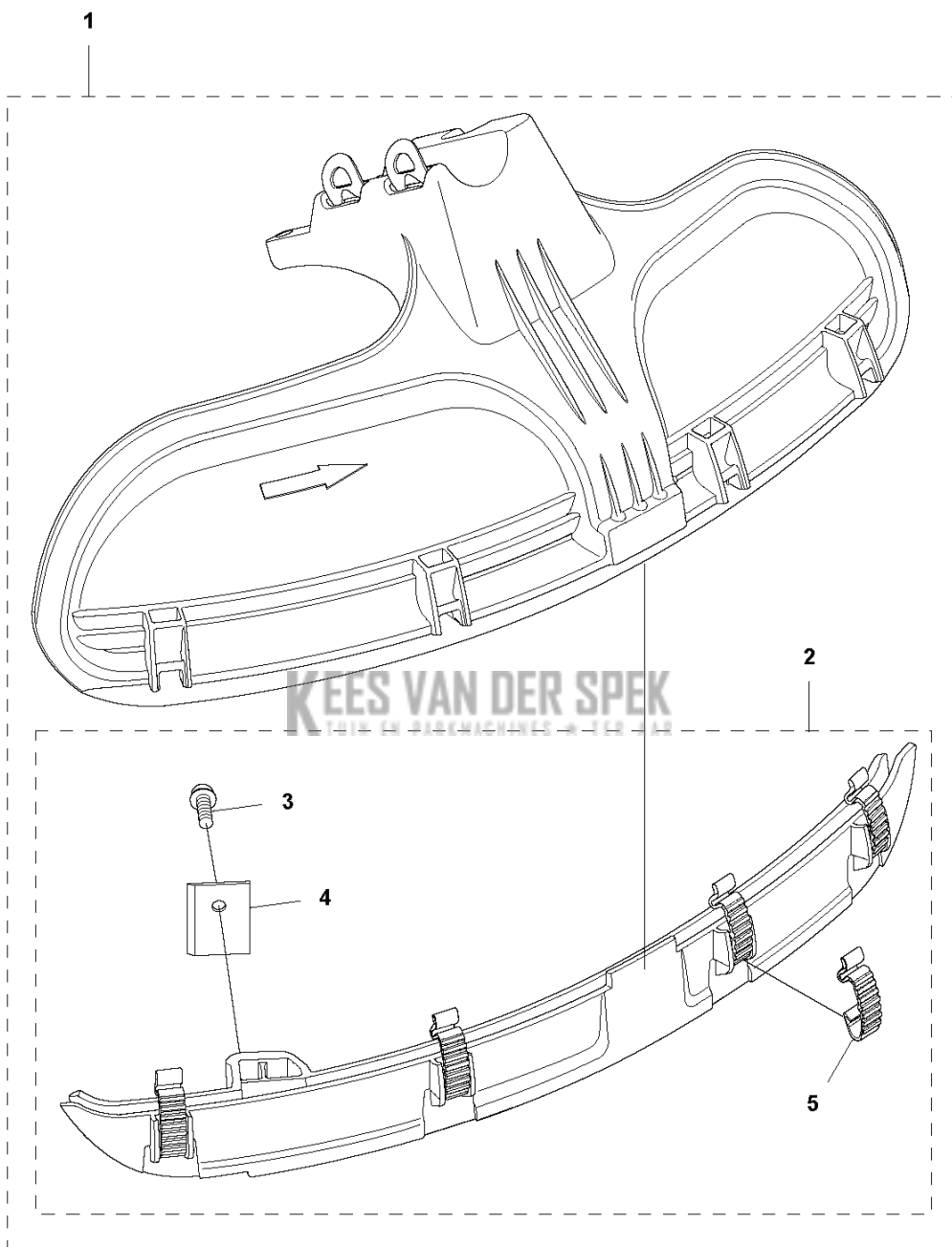
KEES VAN DER SPEK
TUIN EN PARKMACHINES * TER AAR

BRUSHCUTTERS/CLEARING SAWS

PXM_REF	PXM_PARTNO	DESCRIPTION	PXM_REMARK	QTY.	
1	574506702	SAW BLADE GUARD	225 mm Sawblade guard	1	
1	574532601	ZAAGBLADBESCHERMING	200 mm Sawblade guard	1	
2	574039501	LOCK NUT		1	1
3	503200316	SCHROEF IHSCFM		1	1

KEES VAN DER SPEK
TUIN EN PARKMACHINES ✦ TER AAR

R3 545FX, 545FXT
ACCESSORIES

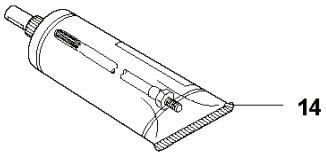
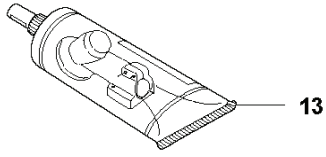
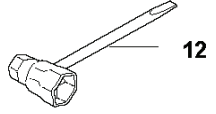
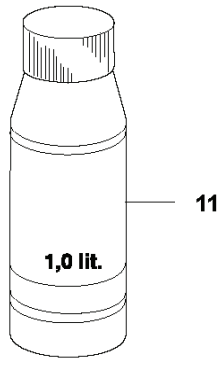
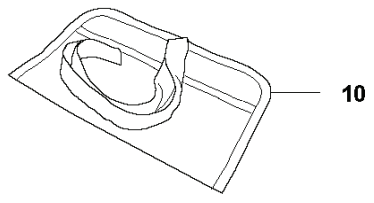
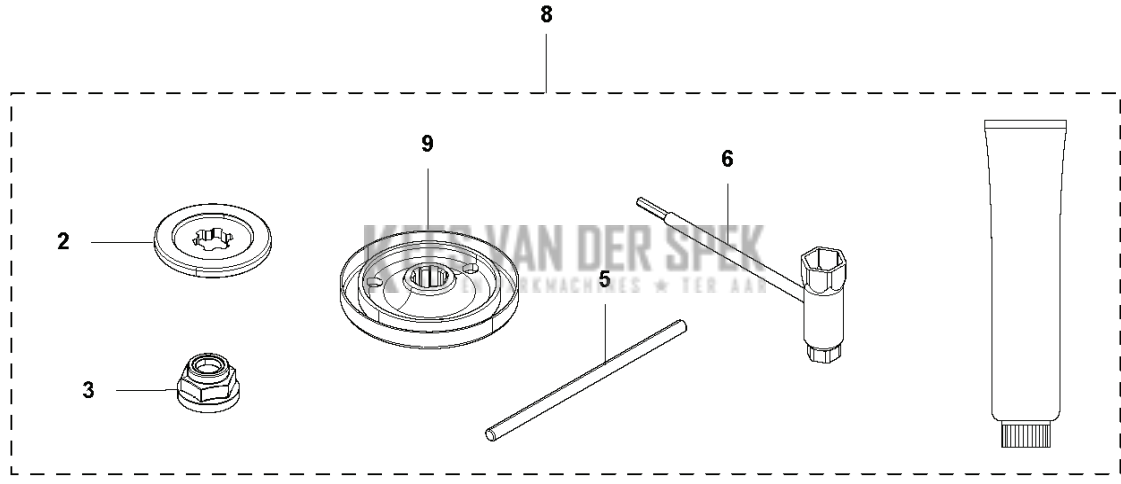
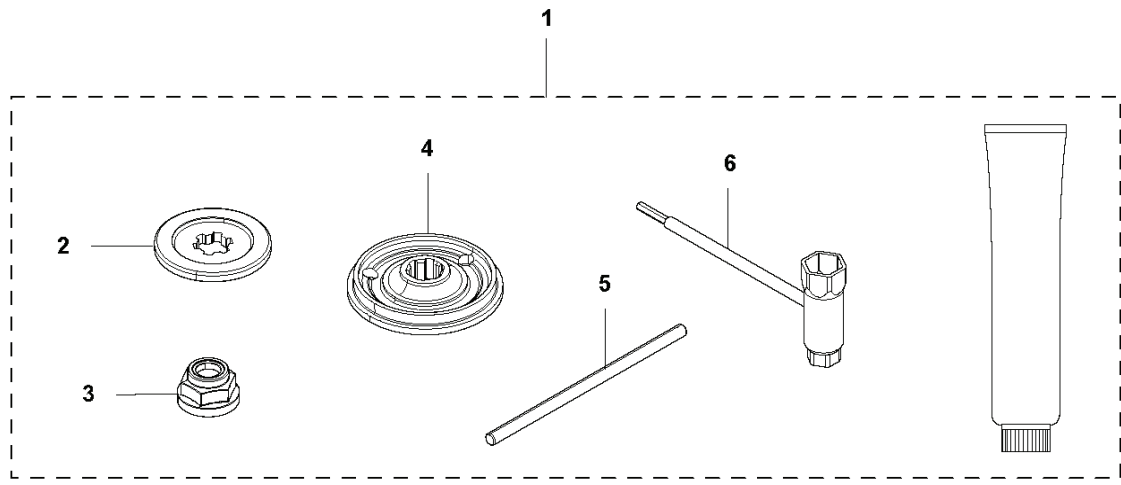


BRUSHCUTTERS/CLEARING SAWS

PXM_REF	PXM_PARTNO	DESCRIPTION	PXM_REMARK	QTY.
1	544464301	COMBIBESCHERMKAP		1
2	544464401	COMBIBESCHERMKAP		1 1
3	503217572	SCHROEF IHSCFT		1 1.2
4	503798802	MES		1 1.2
5	537387201	SNAPSLUITING		1 1.2

KEES VAN DER SPEK
TUIN EN PARKMACHINES * TER AAR

R1 545 FX, 545 FXT, 545 RX, 545 RXT, 345 FR
ACCESSORIES

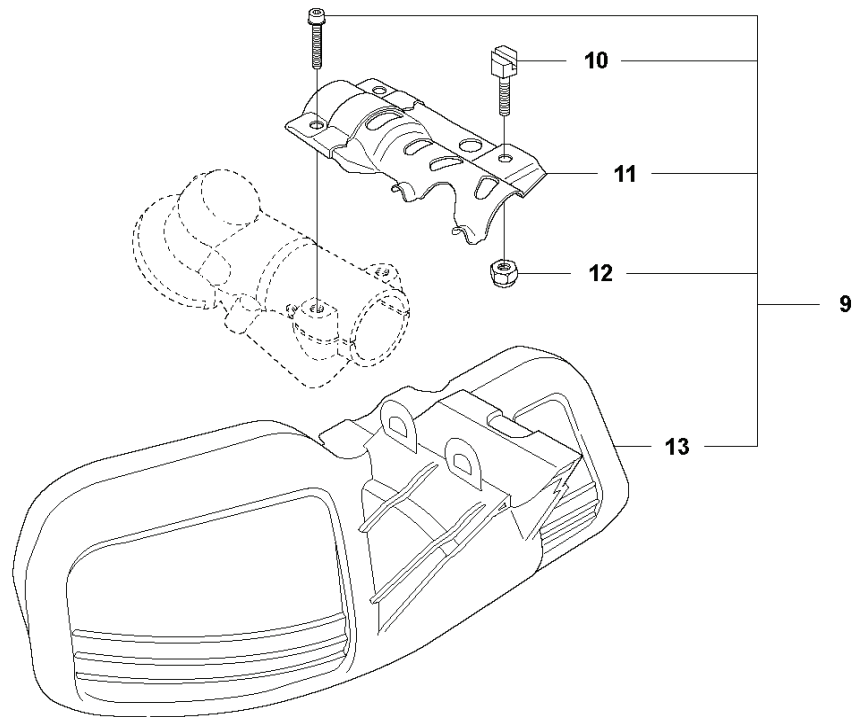
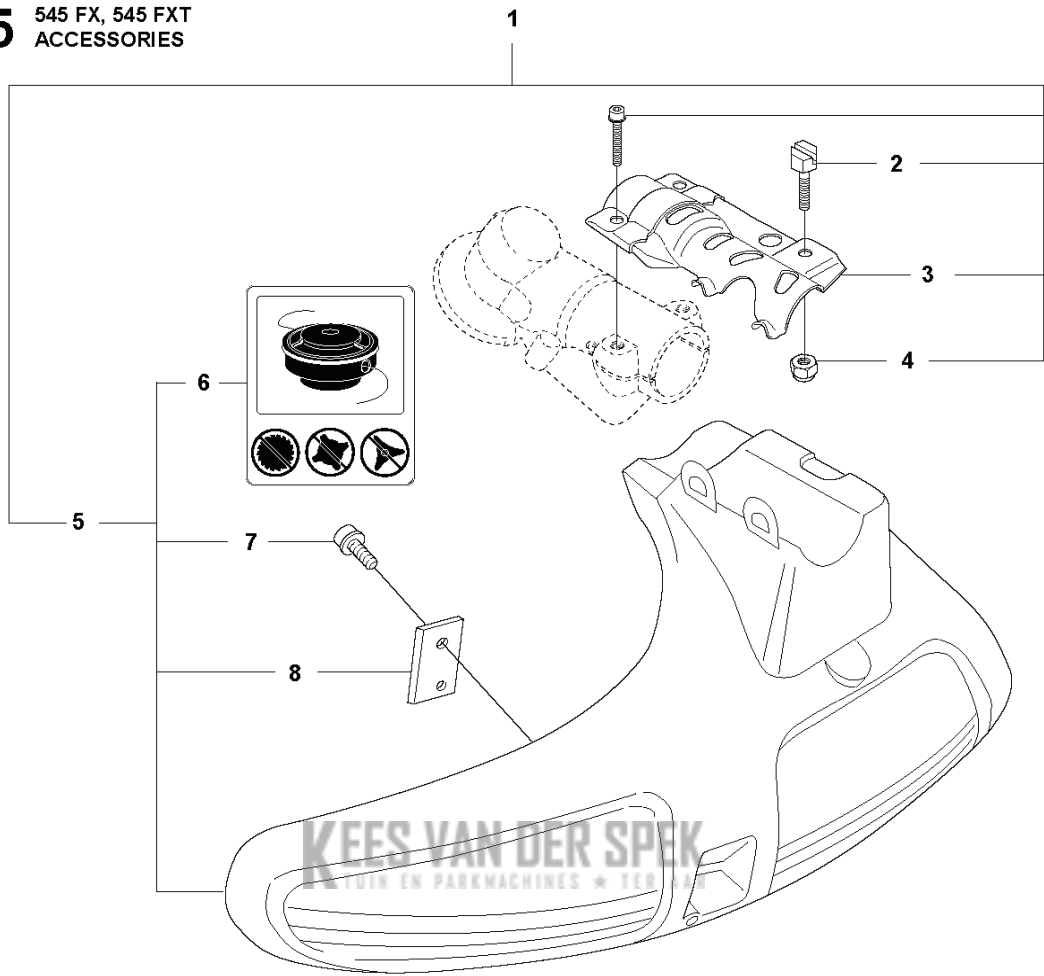


BRUSHCUTTERS/CLEARING SAWS

PXM_REF	PXM_PARTNO	DESCRIPTION	PXM_REMARK	QTY.
1	502216024	ACCESSOIRE TAS	545FX 545FXT	1
2	537343502	FLENSSTEUN		1 1.8
3	502291101	MOER ZAAGBLAD		1 1.8
4	544197801	MEENEMER		1 1
5	502285901	STOP		1 1.8
6	537362102	COMBINATIESLEUTEL		1 1.8
8	502216027	ACCESSOIRE TAS	545RX, 545RXT, 345FR	1
9	537351402	MEENEMER		1 8
10	501192201	GEREEDSCHAP		1
11	531009248	FILTER OLIE		1
12	501691702	COMBINATIESLEUTEL		1
13	503976401	VET		1
14	503801701	VET		1

KEES VAN DER SPEK
TUIN EN PARKMACHINES * TER AAR

R5 545 FX, 545 FXT
ACCESSORIES

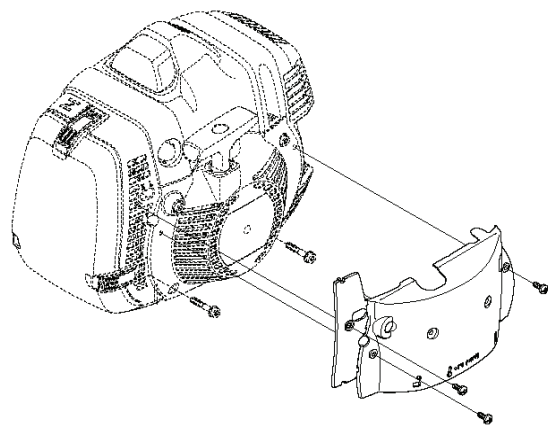
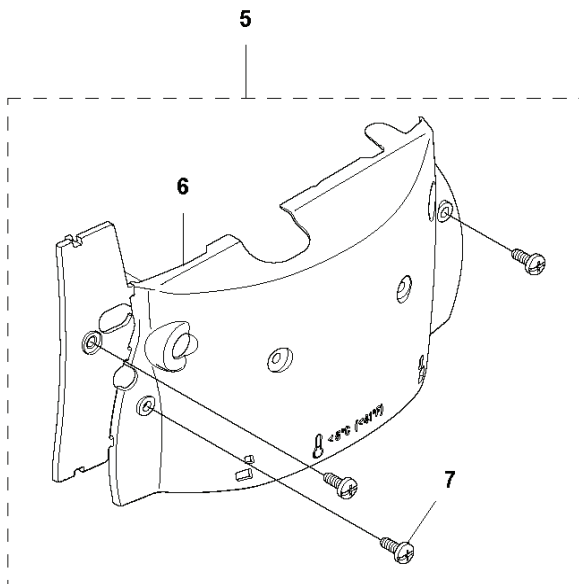
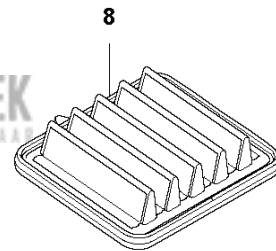
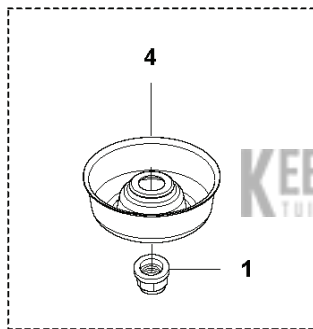
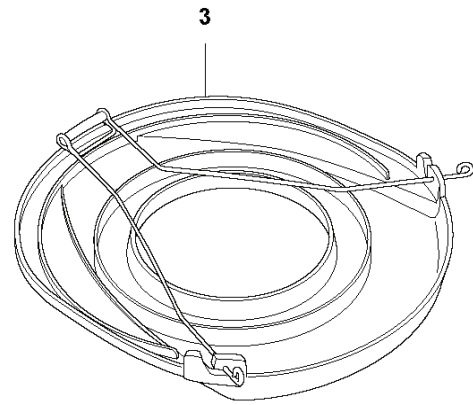
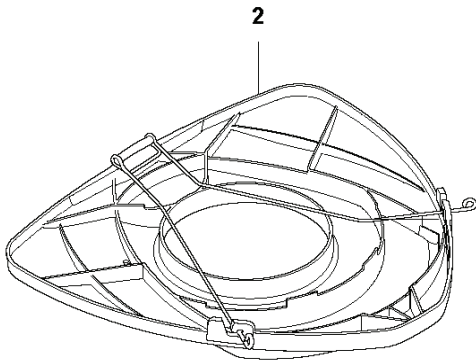


BRUSHCUTTERS/CLEARING SAWS

PXM_REF	PXM_PARTNO	DESCRIPTION	PXM_REMARK	QTY.
1	537297301	TRIMMER BESCHERMER		1
2	537189501	SCREW		1 1
3	537230301	AANBOUW PLAAT		1 1
4	732211601	LOCK NUT		1 1
5	503954302	GRASKANTMAAIERBESCHERMING		1 1
6	503742901	STICKER		1 1.5
7	503210716	SCHROEF IHSCT		1 1.5
8	537285301	MES		1 1.5
9	537297401	ZAAGBLADBESCHERMING		1
10	537189501	SCREW		1 9
11	537230301	AANBOUW PLAAT		1 9
12	732211601	LOCK NUT		1 9
13	537288501	ZAAGBLADBESCHERMING		1 9

KEES VAN DER SPEK
TUIN EN PARKMACHINES * TER AAR

R4 545 F, 545 FX, 545 FXT, 545 RX, 545 RXT, 545 FR, 345 FR
ACCESSORIES



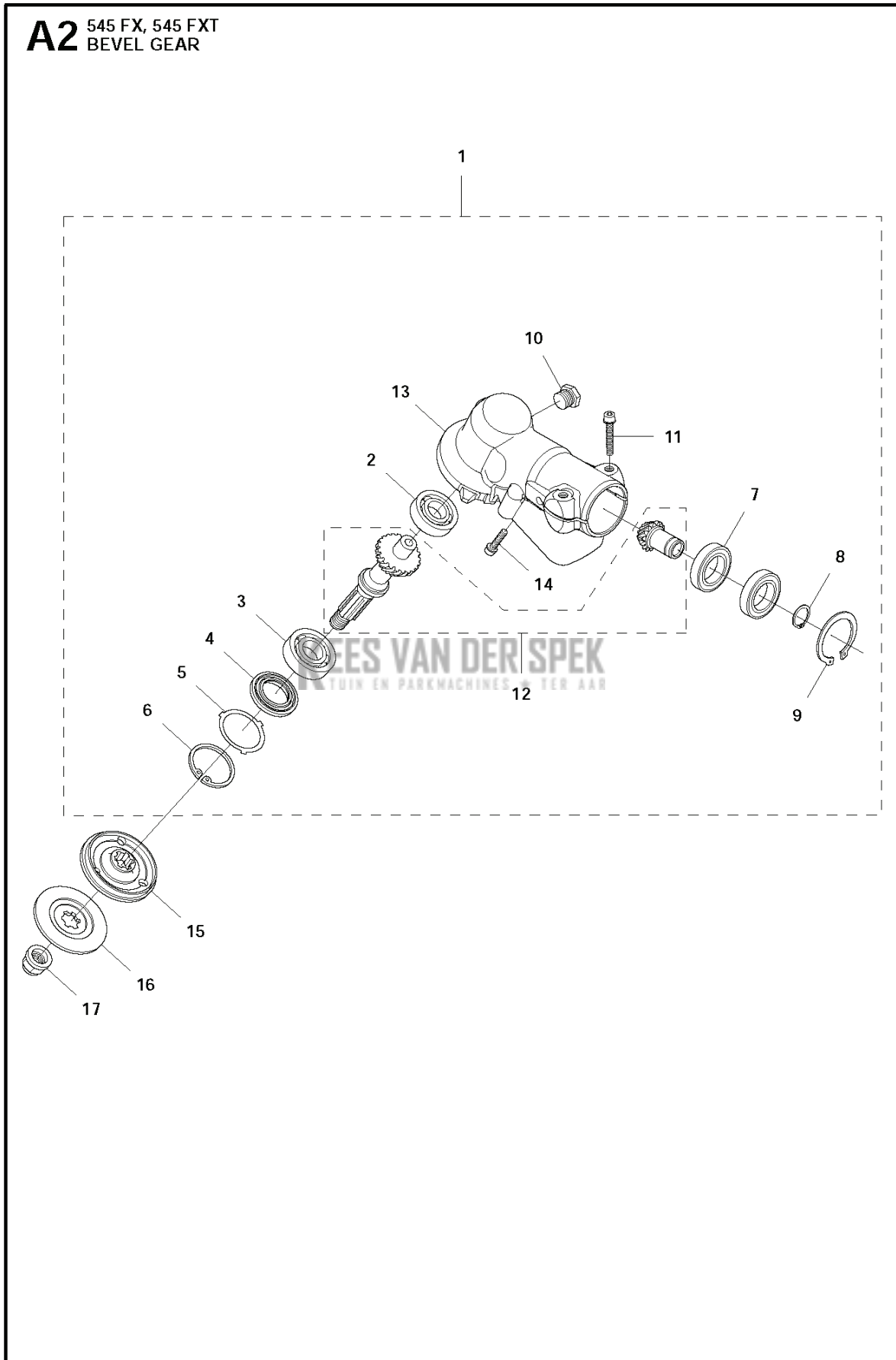
KEES VAN DER SPEK
TUIN EN PARKMACHINES - TER AAN

BRUSHCUTTERS/CLEARING SAWS

PXM_REF	PXM_PARTNO	DESCRIPTION	PXM_REMARK	QTY.
1	502291101	MOER ZAAGBLAD		1
2	544359101	TRANSPORTBESCHERMING	300-350 mm, Transport guard	1
3	537312901	TRANSPORTBESCHERMING	200-275 mm, Transport guard	1
4	544380201	DRAAISCHOTEL		1
5	577043901	WINTER KIT		1
6	522550901	WINTERKAP		1 4
7	503217010	SCHROEF CCRPANT		3 4
8	537410804	LUCHTFILTER	Nylon 25µ, Winter	1
9	535334401	DRAAISCHOTEL		1

KEES VAN DER SPEK
TUIN EN PARKMACHINES ★ TER AAR

A2 545 FX, 545 FXT
BEVEL GEAR

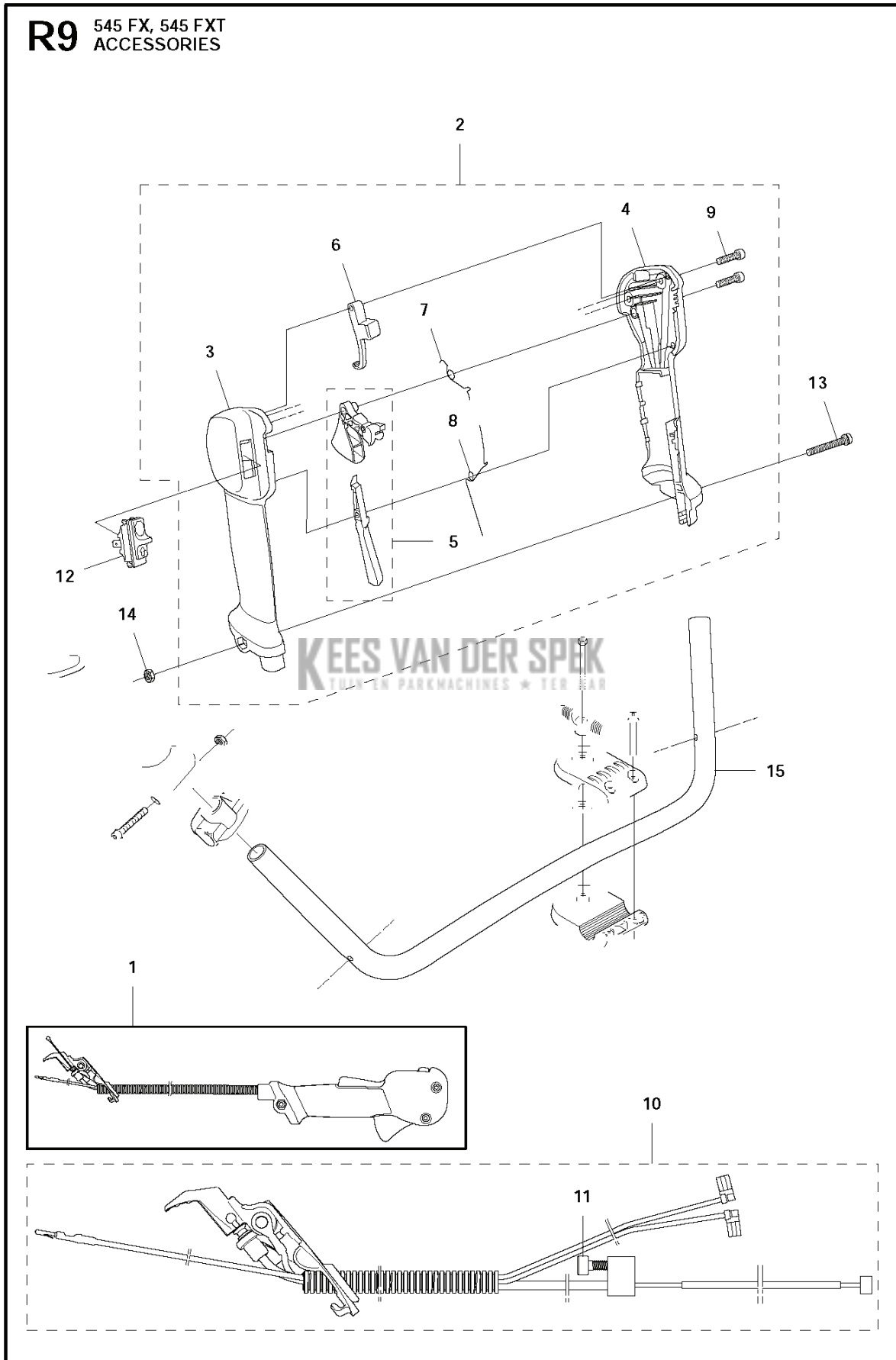


BRUSHCUTTERS/CLEARING SAWS

PXM_REF	PXM_PARTNO	DESCRIPTION	PXM_REMARK	QTY.
1	588163301	VERSNELLING COMPL.		1
2	738210110	KOGELLAGER		1 1
3	503250801	LAGER		1 1
4	503261701	AFDICHTING		1 1
5	503758901	AFDEKRING		1 1
6	735313310	BORGCLIP		1 1
7	738218712	KOGELLAGER		2 1
8	735311700	BORGCLIP		1 1
9	735313110	BORGCLIP		1 1
10	503201501	SCREW		1 1
11	503200225	SCHROEF IHSCFM		2 1
12	587977601	VERSNELLING		1 1
13	502297901	VERSNELLINGSBAK HUIS		1 1
14	503200316	SCHROEF IHSCFM		4 1
15	544197801	MEENEMER		1
16	537343502	FLENSSTEUN		1
17	502291101	MOER ZAAGBLAD		1

KEES VAN DER SPEK
TUIN EN PARKMACHINES * TER AAR

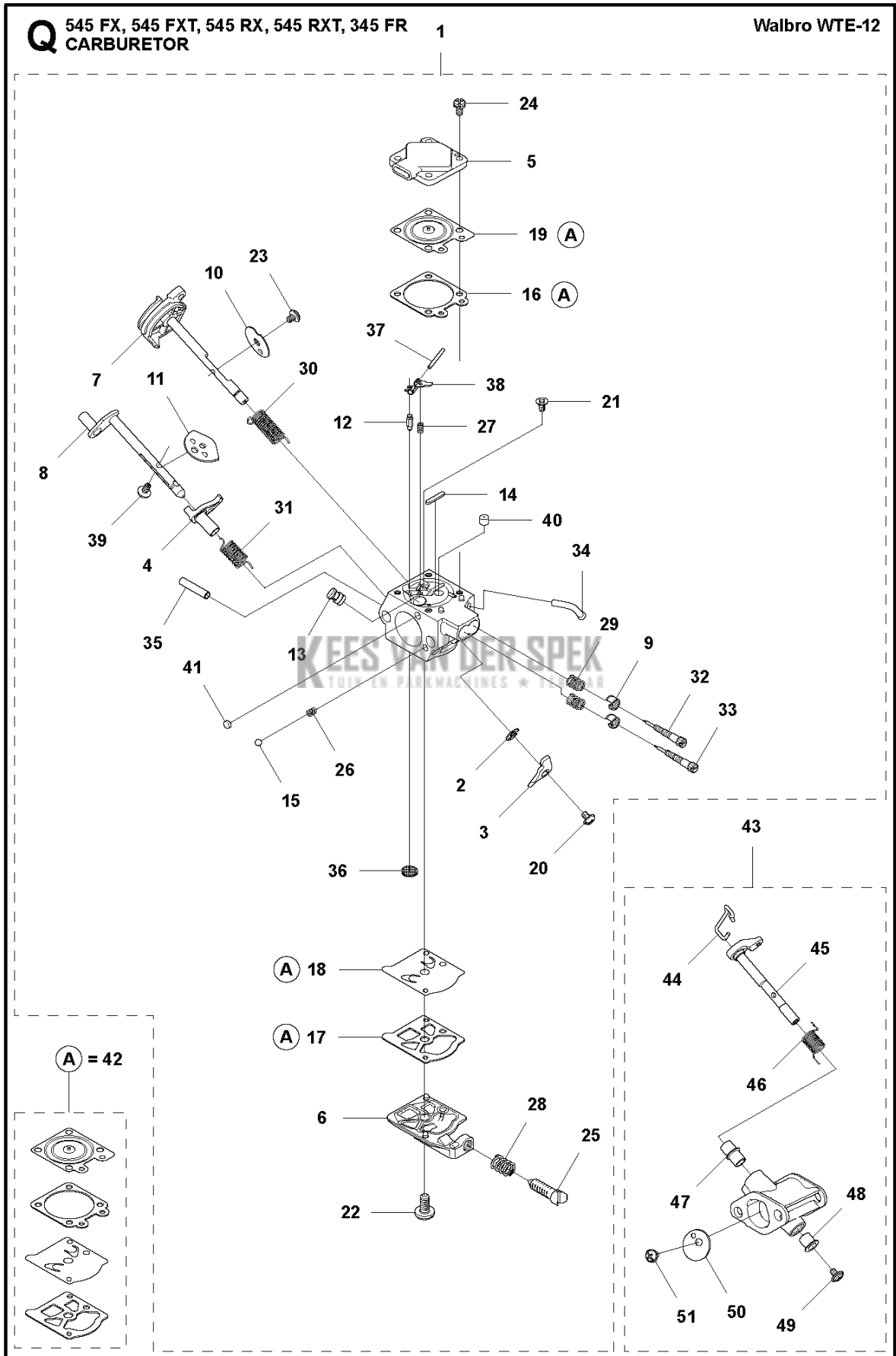
R9 545 FX, 545 FXT
ACCESSORIES



BRUSHCUTTERS/CLEARING SAWS

PXM_REF	PXM_PARTNO	DESCRIPTION	PXM_REMARK	QTY.
1	577071902	GASHANDGREEP COMPL.	Index finger-operated throttle	1
2	504209804	GASHANDGREEP COMPL.	Index finger-operated throttle	1 1
3	537180711	HANDGREEPHELFT		1 1.2
4	537180811	HANDGREEPHELFT		1 1.2
5	506497701	GASHEVEL		1 1.2
6	537160701	GASVERGREDELING		1 1.2
7	537174201	SPRING THROTTLE TRIG		1 1.2
8	537174301	VEER		1 1.2
9	503216674	SCHROEF IHSCT		2 1.2
10	525419802	BEKABELING COMPL.		1 1.10
11	503216616	SCHROEF IHSCT		1
12	537419001	SCHAKELAAR		1
13	503200782	SCHROEF IHSCFM		1
14	503221013	ZESKANT MOER		1
15	505433303	HANDLEBAR		1

KEES VAN DER SPEK
TUIN EN PARKMACHINES * TER AAR

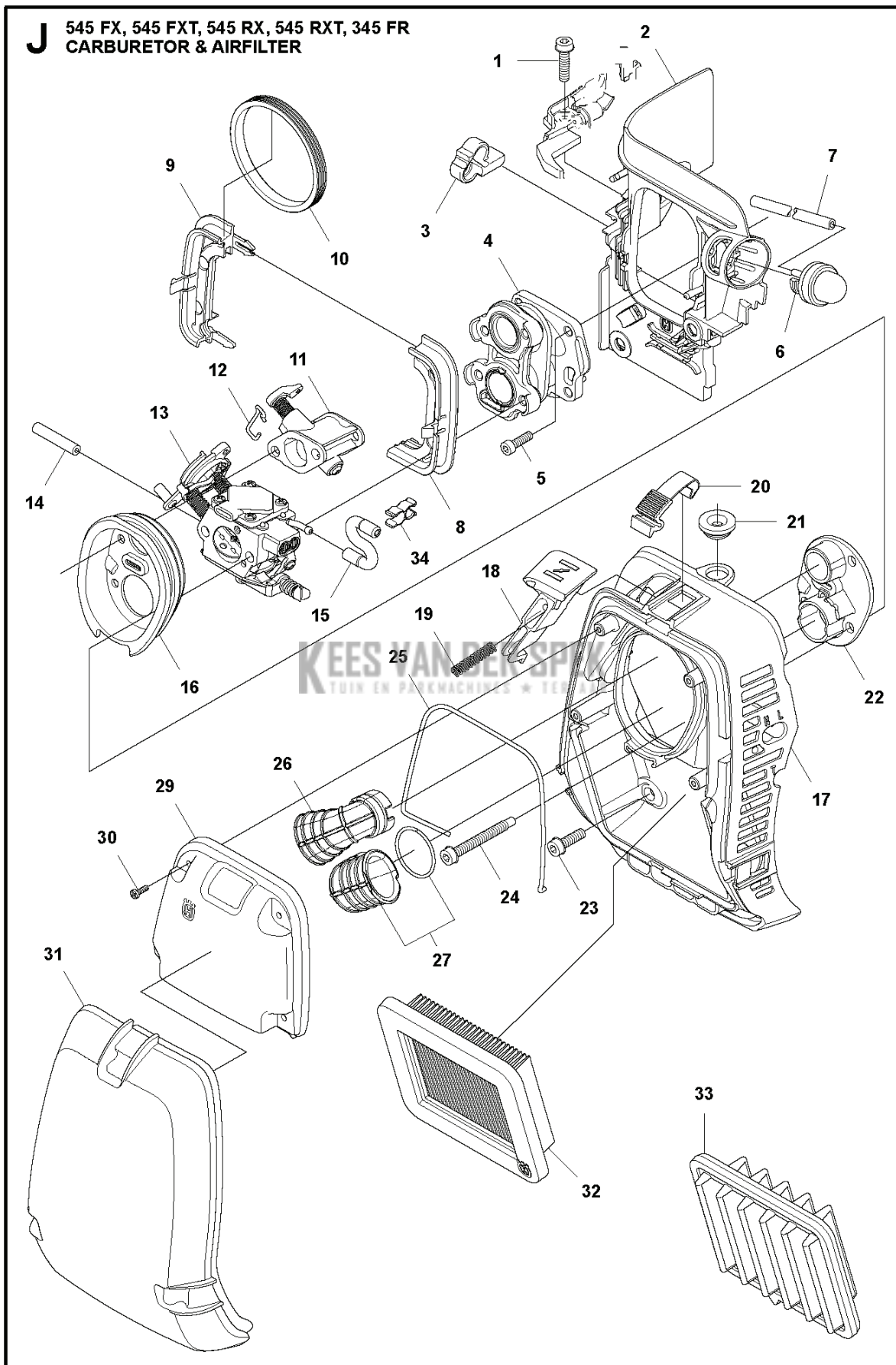


BRUSHCUTTERS/CLEARING SAWS

PXM_REF	PXM_PARTNO	DESCRIPTION	PXM_REMARK	QTY.
1	574329101	CARBURATEUR	Walbro WTE 12	1
2	505316736	RING		1 1
3	575463701	HEFBOOM		1 1
4	544177701	HEFBOOM		1 1
5	574358101	DEKSEL		1 1
6	503584301	DEKSEL		1 1
7	577016701	AS COMPL.		1 1
8	544044001	AS		1 1
9	544970801	BEGRENZERDOP		2 1
10	503935101	VENTIEL		1 1
11	537109601	VENTIEL		1 1
12	503563401	NAALDVENTIEL		1 1
13	502846801	MONDSTUK		1 1
14	502846901	PLUG		1 1
15	501468501	KOGEL		1 1
16	504350906	PAKKING		1 1.42
17	504130906	PAKKING		1 1.42
18	577016601	MEMBRAAN		1 1.42
19	576684501	DIAPHRAGM ASSY		1 1.42
20	501468701	SCREW		1 1
21	502847101	SCREW		1 1
22	501466901	SCREW		1 1
23	537003401	SCREW		1 1
24	537003101	SCREW		4 1
25	537408201	SCREW		1 1
26	501468401	VEER		1 1
27	501795901	VEER		1 1
28	501667801	VEER		1 1
29	525755401	VEER		2 1
30	544177601	VEER		1 1
31	544971101	VEER		1 1
32	502847201	NAALD		1 1
33	502847301	NAALD		1 1
34	577016801	FITTING		1 1
35	544971601	FITTING		1 1
36	501666101	VIZIER		1 1
37	505520125	PEN		1 1
38	502847401	HEFBOOM		1 1
39	544111501	SCREW		1 1
40	505426901	SPROEIER		1 1
41	503574301	PLUG		1 1
42	515999601	PAKKINGSET		1
43	574297901	HUIS		1
44	522543301	SCHAKEL		1 43
45	574323901	AS		1 43
46	544971801	VEER		1 43
47	501021901	BUSHING		1 43
48	501022001	BUSHING		1 43
49	503515501	SCREW		1 43
50	522543501	VENTIEL		1 43
51	537003401	SCREW		1 43

KEES VAN DER SPEK
 TOEGEVOEGDE WAARDE
 TOEGEVOEGDE WAARDE

J 545 FX, 545 FXT, 545 RX, 545 RXT, 345 FR
CARBURETOR & AIRFILTER

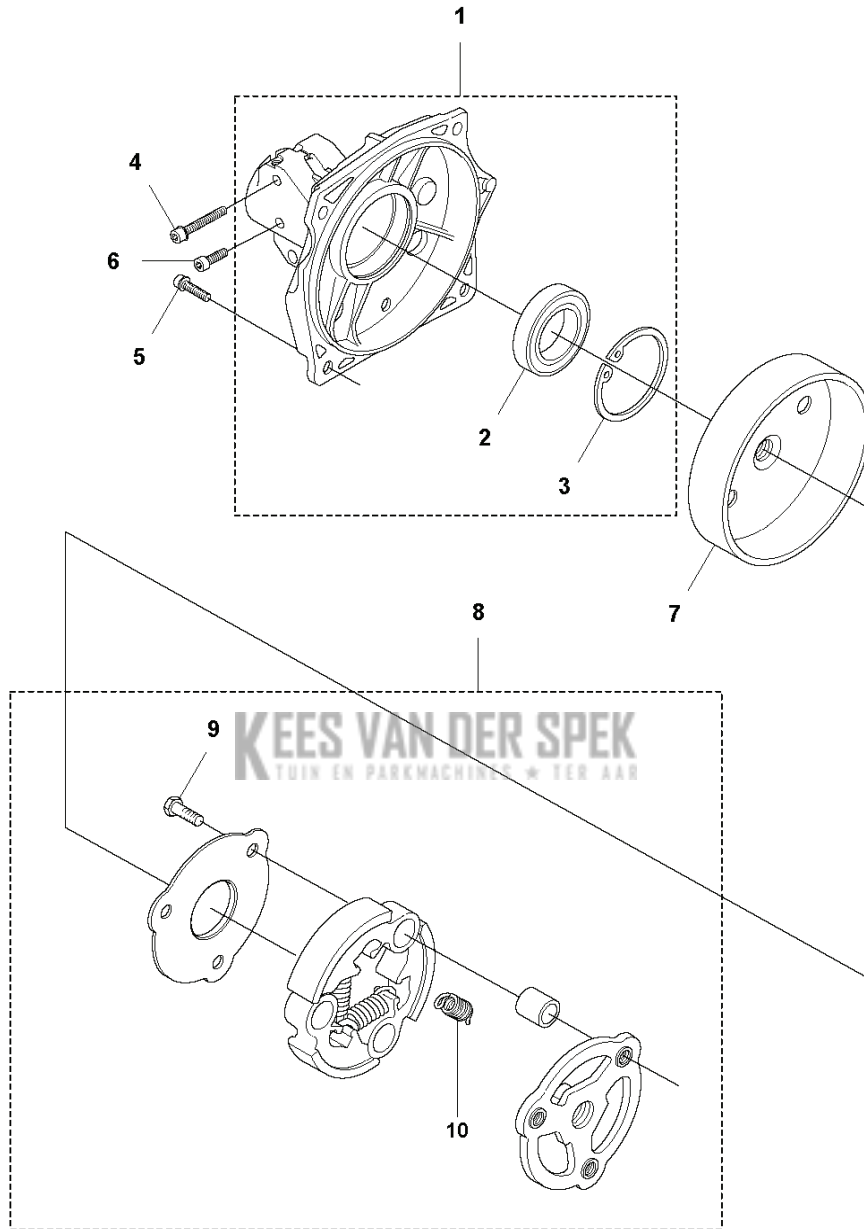


BRUSHCUTTERS/CLEARING SAWS

PXM_REF	PXM_PARTNO	DESCRIPTION	PXM_REMARK	QTY.
1	503200776	SCHROEF IHSCFM		1
2	525289201	ISOLATIE WAND		1
3	575239501	DOORVOER		1
4	574440301	INLAATPIJP		1
5	503202516	SCHROEF IHSCM		4
6	503936601	PURGE		1
7	537042407	BRANDSTOFSLANG		1
8	576122701	FRAME		1
9	576123701	FRAME		1
10	576223701	SEALING RING		1
11	574297901	HUIS		1
12	522543301	SCHAKEL		1
13	580803901	CARBURATEUR		1
14	581756143	BRANDSTOFSLANG		1
15	523056801	BRANDSTOFSLANG		1
16	574851201	AFDICHTING		1
17	523044801	FILTERHOUDER COMPL.		1
18	522449901	CHOKEHENDEL		1
19	524853001	VEER		1
20	503740102	SNAPSLUITING		3
21	537016501	STEUN		1
22	577479701	DEKPLAAT		1
23	503200774	SCHROEF IHSCFM		2
24	537316001	SCHROEF IHSCFM		4
25	503263204	O-RING		1
26	586946901	INLAATPIJP		1
27	594028001	INLAATPIJP COMPL.		1
29	575268401	DEKSEL		1
30	503212910	SCHROEF CCRPANT		4
31	510189701	FILTERDEKSEL		1
32	574668003	LUCHTFILTER	Paper	1
33	537410804	LUCHTFILTER	Nylon 25µ, Winter	1
34	580451701	KLEM		1

KEES VAN DER SPEK
 TUIN EN PARKMACHINES * TER AAR

F 545 FX, 545 FXT, 545 RX, 545 RXT, 345 FR
CLUTCH

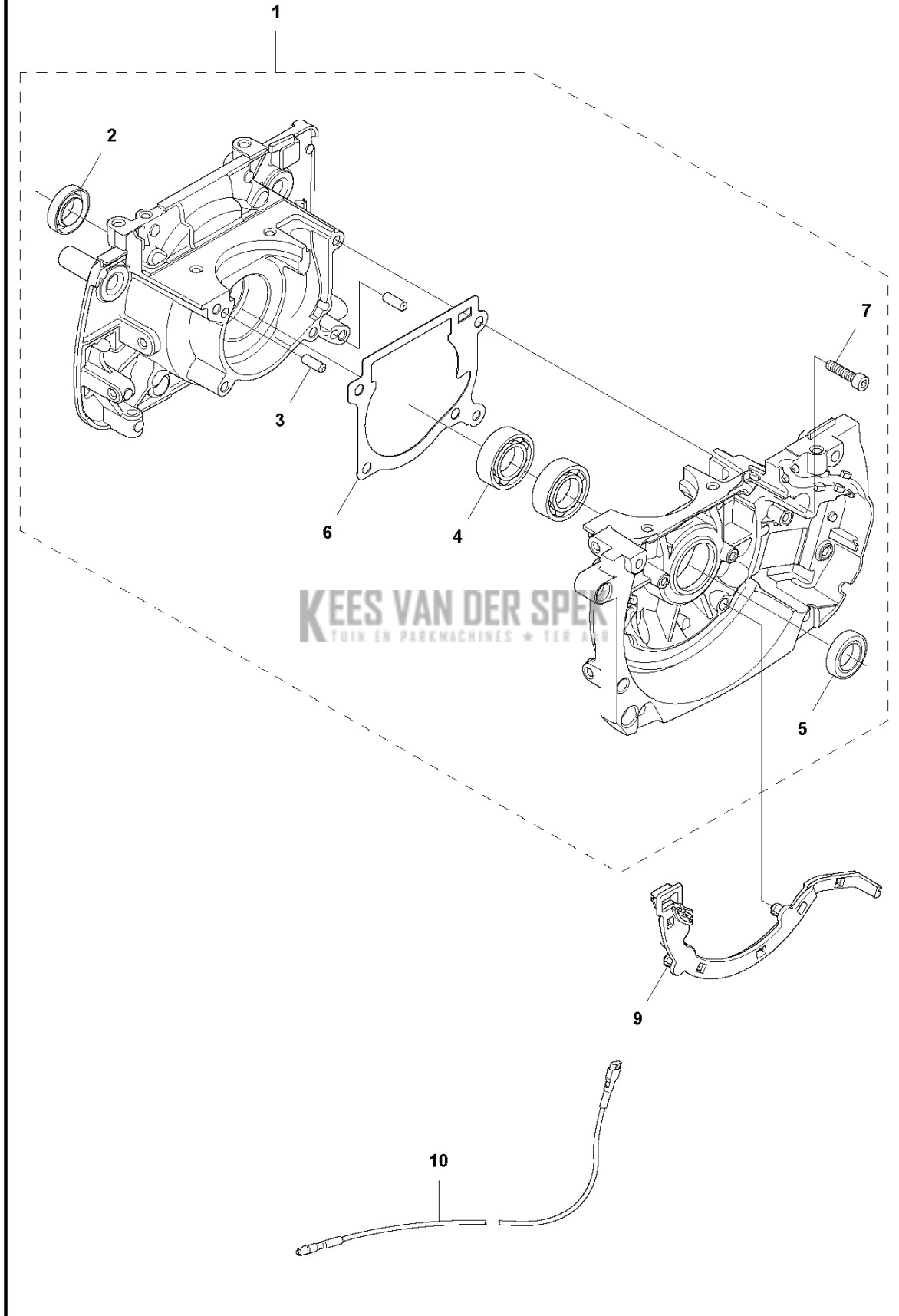


BRUSHCUTTERS/CLEARING SAWS

PXM_REF	PXM_PARTNO	DESCRIPTION	PXM_REMARK	QTY.	
1	503954105	KOPPELINGSKAP	from s/n 20194300361 - . For older products use kit 5978421-03	1	
2	738220219	KOGELLAGER		1	1
3	735313310	BORGCLIP		1	1
4	503200230	SCHROEF IHSCFM		2	
5	503200220	SCHROEF IHSCFM		4	
6	503200770	SCHROEF IHSCFM	from s/n 20194300361 -	1	
6	503202001	SCHROEF IHSCM	up to s/n - 20194300360.	1	
7	544900701	KOPPELINGSTROMMEL COMPL.		1	
8	594512301	KOPPELING COMPL.		1	
9	503201802	SCHROEF EHHM		3	8
10	505435302	KOPPELINGSVEER		3	8

KEES VAN DER SPEK
TUIN EN PARKMACHINES * TER AAR

P1 545 FX, 545 FXT
CRANKCASE

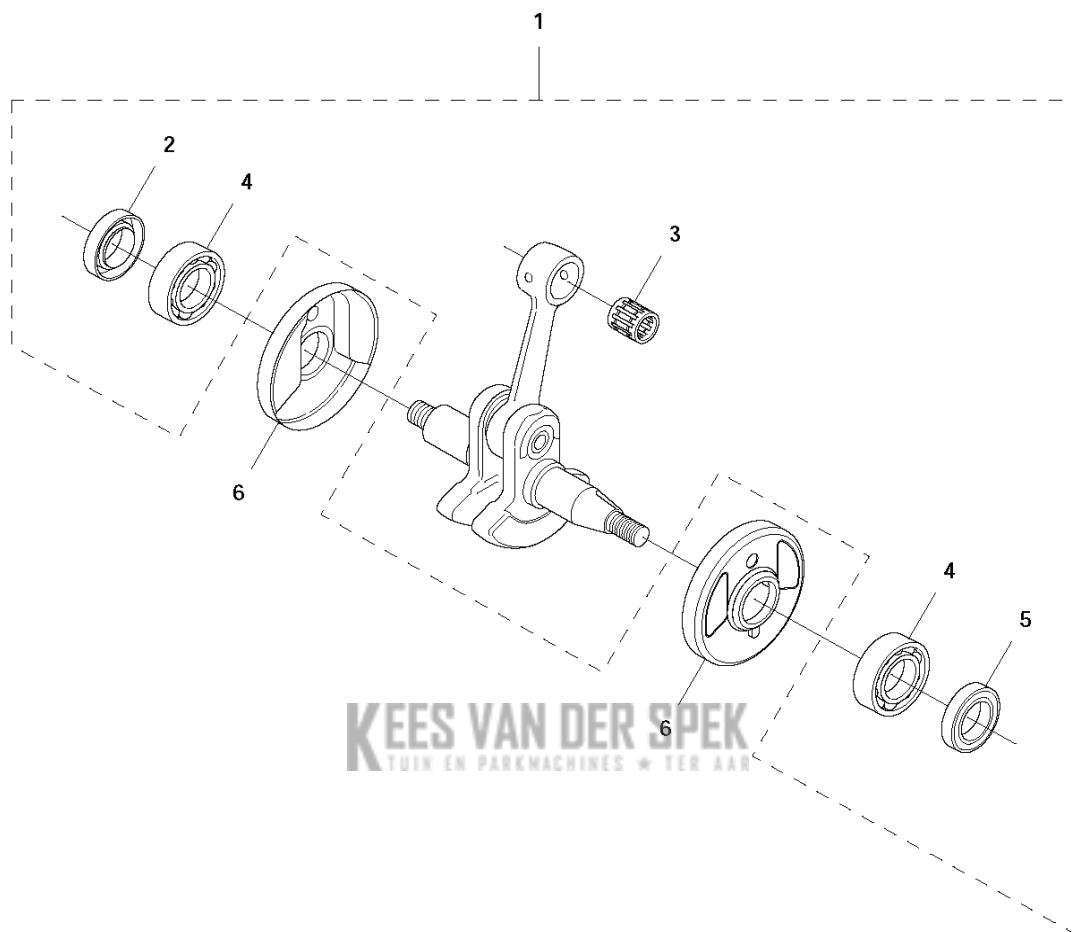


BRUSHCUTTERS/CLEARING SAWS

PXM_REF	PXM_PARTNO	DESCRIPTION	PXM_REMARK	QTY.
1	588676301	CARTER COMPL.		1
2	577324901	RADIAAL AFDICHTING		1 1
3	720130710	CILINDRISCHE PEN	s/n up to - 20132699999	2 1
3	593806001	GELEIDEHULS	s/n from 20132700001 -	2 1
4	503250801	LAGER		2 1
5	505275719	SEALING RING		1 1
6	510241101	PAKKING	s/n up to - 20132699999	1 1
6	593777501	PAKKING	s/n from 20151601101 -	1 1
6	584469601	PAKKING	s/n 20132700001 - 20151601100	1 1
7	503200230	SCHROEF IHSCFM		5 1
9	510179901	KABELHOUDER		1
10	525858401	KORTSLUITKABEL		1

KEES VAN DER SPEK
TUIN EN PARKMACHINES * TER AAR

N 545 FX, 545 FXT, 545 RX, 545 RXT, 345 FR
CRANK SHAFT

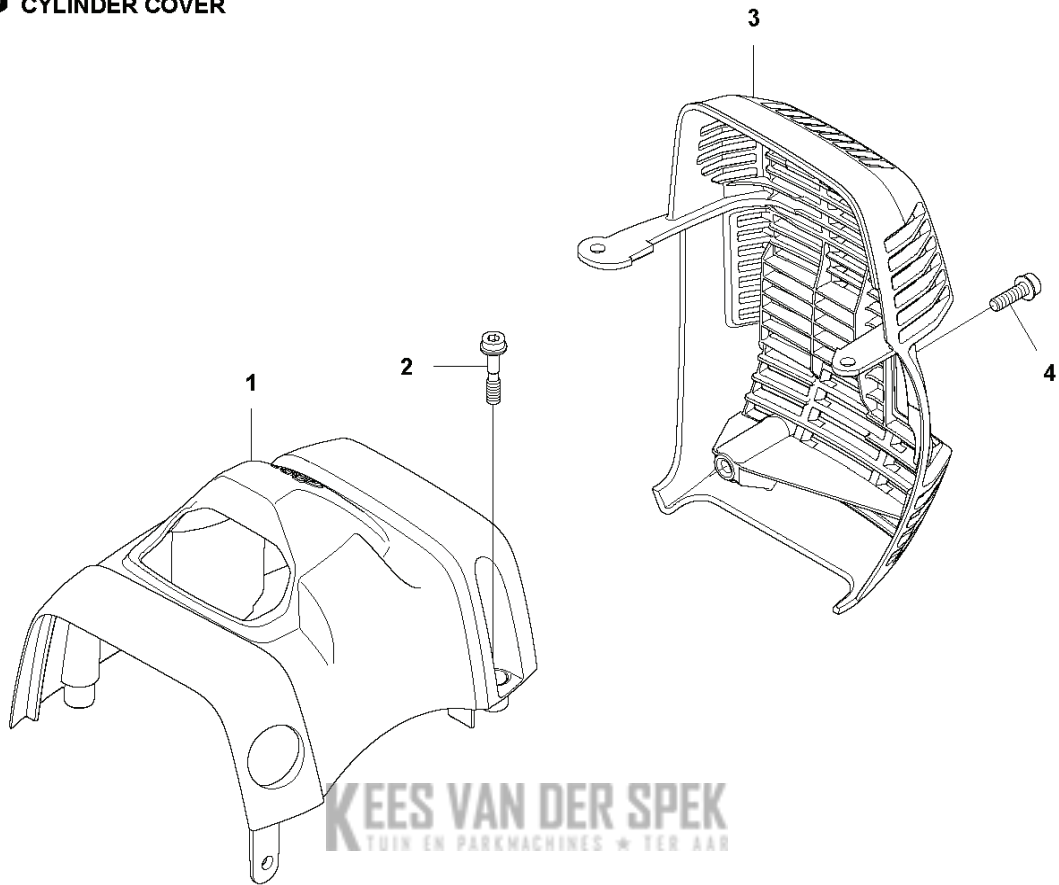


BRUSHCUTTERS/CLEARING SAWS

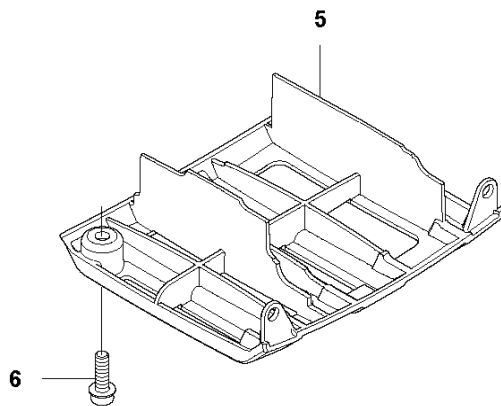
PXM_REF	PXM_PARTNO	DESCRIPTION	PXM_REMARK	QTY.
1	577274801	CRANKSHAFT KIT		1
2	577324901	RADIAAL AFDICHTING		1 1
3	503256301	NAALDLAGER		1 1
4	503250801	LAGER		2 1
5	505275719	SEALING RING		1 1
6	537158501	KOP		2

KEES VAN DER SPEK
TUIN EN PARKMACHINES * TER AAR

G 545 FX, 545 FXT, 545 RX, 545 RXT, 345 FR
CYLINDER COVER



KEES VAN DER SPEK
TUIN EN PARKMACHINES * TER AAR



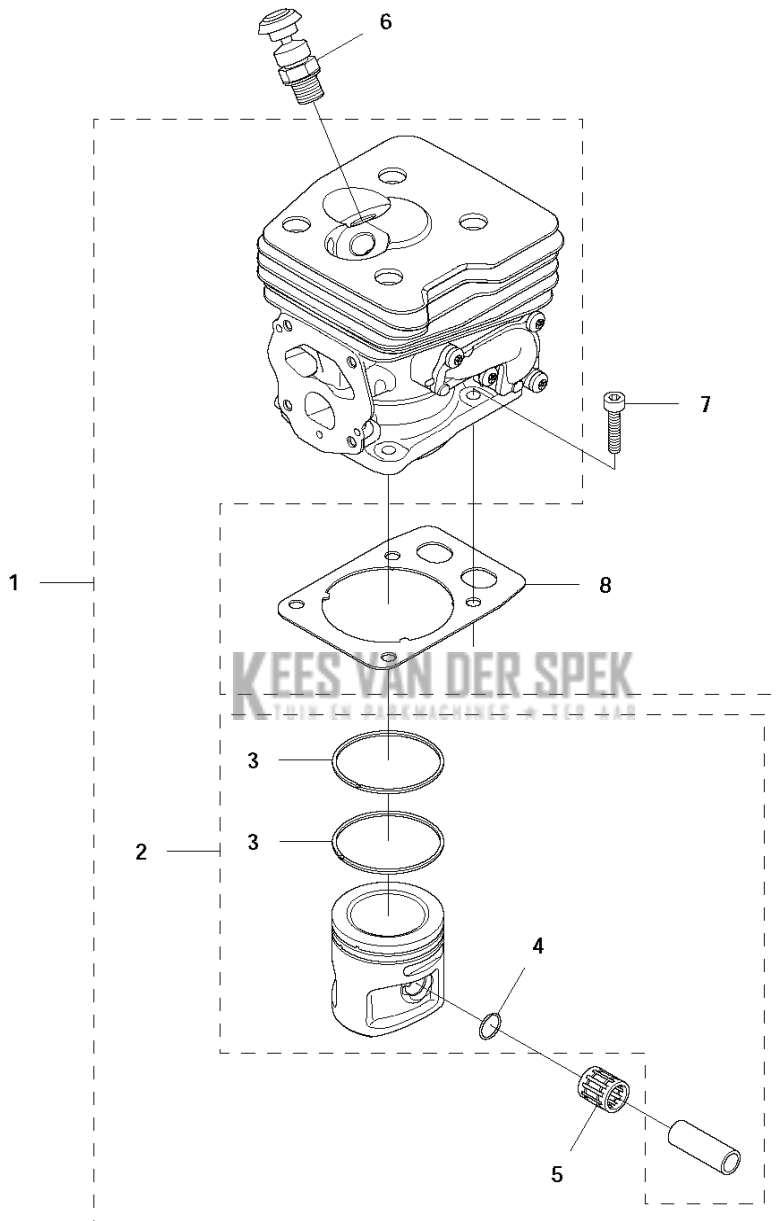
- 7 —
- 8 —
- 9 —
- 10 —
- 11 —

BRUSHCUTTERS/CLEARING SAWS

PXM_REF	PXM_PARTNO	DESCRIPTION	PXM_REMARK	QTY.
1	510047501	CILINDERDEKSEL		1
2	574477004	SCHROEF IHSCFMO	Captive Screw	3
3	576920001	HITTEBESCHERMING		1
4	503200774	SCHROEF IHSCFM		1
5	579330001	BESCHERMDEKSEL		1
6	503200774	SCHROEF IHSCFM		2
7	576998601	PLAATJE	FX	1
8	576998602	PLAATJE	FXT	1
9	576998603	PLAATJE	RXT	1
10	576998604	PLAATJE	RX	1
11	576998605	PLAATJE	FR	1

KEES VAN DER SPEK
TUIN EN PARKMACHINES * TER AAR

M 545 FX, 545 FXT, 545 RX, 545 RXT, 345 FR
CYLINDER & PISTON

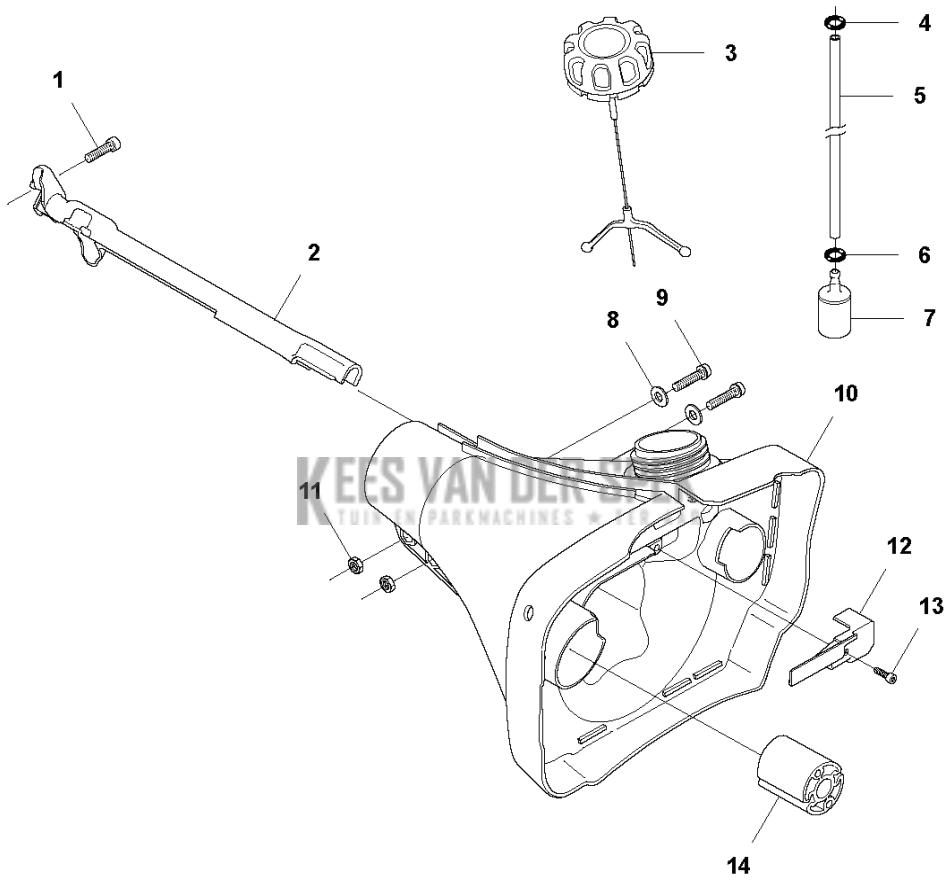


BRUSHCUTTERS/CLEARING SAWS

PXM_REF	PXM_PARTNO	DESCRIPTION	PXM_REMARK	QTY.
1	577274901	CYLINDER KIT	s/n up to - 20122300180	1
1	577274902	CYLINDER KIT	s/n from 20122300181 -	1
2	576282702	ZUIGER COMPL.	s/n from 20163900236 -	1
2	522626302	ZUIGER COMPL.	s/n up to - 20122300180	1 1
2	576282704	ZUIGER COMPL.	s/n from 20122300181 up to - 20163900235	1
3	576283001	ZUIGERVEER	s/n from 20122300181 -	2
3	522626501	ZUIGERVEER	s/n up to - 20122300180	2 1.2
4	737441000	BORGRING		2 1.2
5	503256301	NAALDLAGER		1 1
6	544200001	DECOMPRESSIEKLEP		1
7	725533155	SCHROEF IHSCM		4
8	587153401	PAKKING		1

KEES VAN DER SPEK
TUIN EN PARKMACHINES * TER AAR

E2 545FXT
FUEL TANK

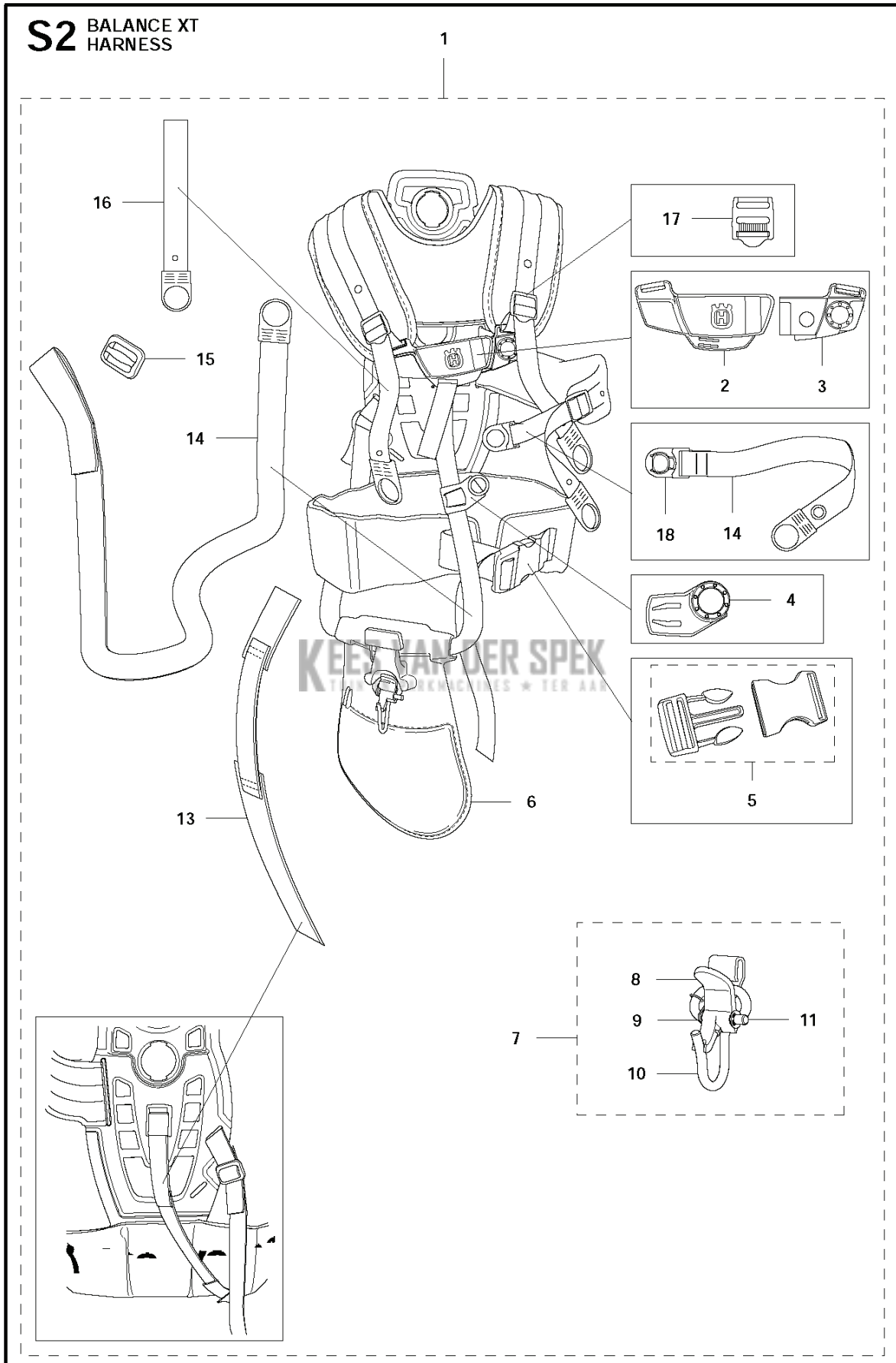


BRUSHCUTTERS/CLEARING SAWS

PXM_REF	PXM_PARTNO	DESCRIPTION	PXM_REMARK	QTY.
1	503200216	SCHROEF IHSCFM		1
2	584148101	BEKABELINGSBESCHERMING	from s/n 20152500060 -	1
3	590324601	TANKDEKSEL COMPL.		1
4	537184901	O-RING		1
5	581756116	BRANDSTOFSLANG		1
6	537184901	O-RING		1
7	503443201	BRANDSTOFFILTER		1
8	503230011	RING		2
9	503200316	SCHROEF IHSCFM		2
10	503949301	BRANDSTOFTANK		1
11	503221012	ZESKANT MOER		2
12	537219901	SLANGBESCHERMING		1
13	503217116	SCHROEF IHSCFM		1
14	510208701	AV ELEMENT		2

KEES VAN DER SPEK
TUIN EN PARKMACHINES * TER AAR

S2 BALANCE XT
HARNES

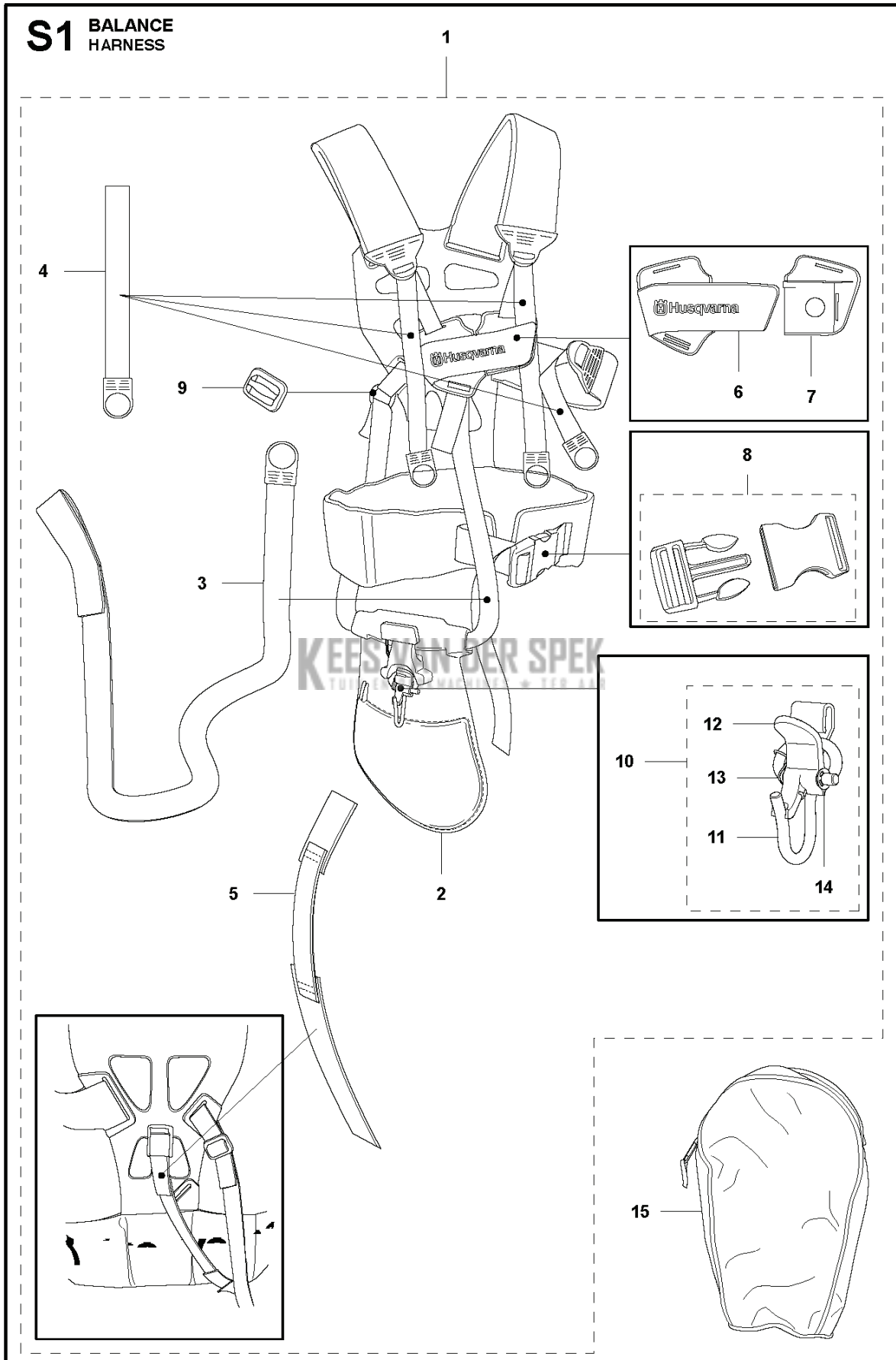


BRUSHCUTTERS/CLEARING SAWS

PXM_REF	PXM_PARTNO	DESCRIPTION	PXM_REMARK	QTY.
1	505204201	DRAAGSTEL		1
2	504545201	GESP	US	1 1
3	504545101	GESP		3 1
4	504637501	SNAPSLUITING		1 1
5	537331501	GESP		1 1
6	544901701	HEUPKUSSEN		1 1
7	544960702	OPHANGHAAK		1 1
8	502023002	SLOT		1 1,7
9	586341001	VEER		1 1,7
10	502022902	HAAK		1 1,7
11	735310920	E-CLIP		1 1,7
13	537153501	SPANBAND		1 1
14	503996104	BAND		1 1
15	537113501	HOUDER		1 1
16	503996107	BAND		1
17	505444601	GESP		1
18	504637401	SNAPSLUITING		1

KEES VAN DER SPEK
TUIN EN PARKMACHINES * TER AAR

S1 BALANCE HARNESS

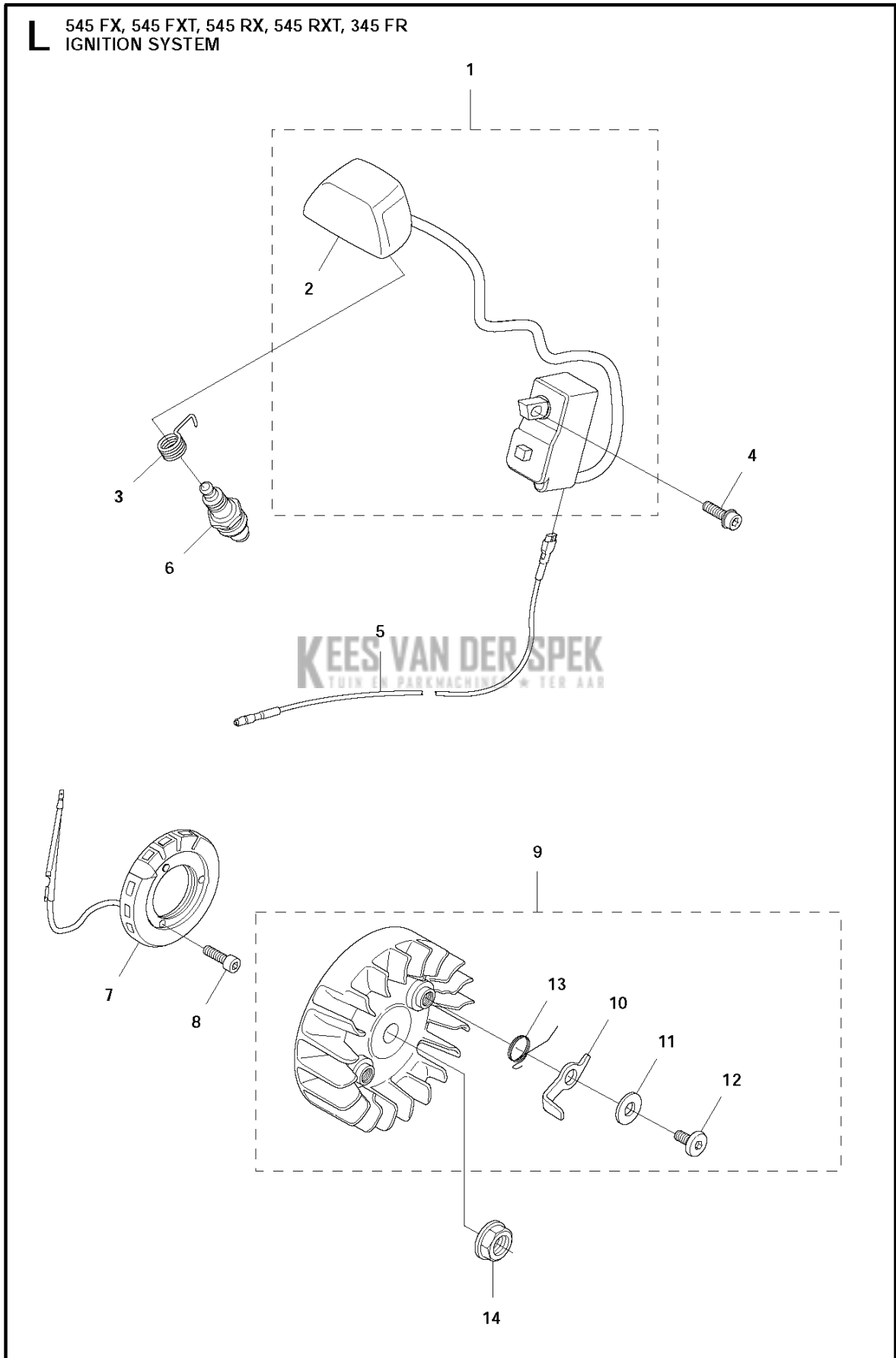


BRUSHCUTTERS/CLEARING SAWS

PXM_REF	PXM_PARTNO	DESCRIPTION	PXM_REMARK	QTY.
1	504045201	DRAAGSTEL		1
1	505406201	DRAAGSTEL	US	1 1
2	544901701	HEUPKUSSEN		1 1
3	503996103	BAND		1 1
4	503996101	BAND		3 1
5	537153501	SPANBAND		1 1
6	537288401	GESP		1 1
7	537288301	GESP		1 1
8	537331501	GESP		1 1
9	537113501	HOUDER		1 1
10	544960702	OPHANGHAAK		1 1
11	502022902	HAAK		1 1.10
12	502023002	SLOT		1 1.10
13	586341001	VEER		1 1.10
14	735310920	E-CLIP		1 1.10
15	537306601	TAS	Triobalance Tool bag	1

KEES VAN DER SPEK
TUIN EN PARKMACHINES * TER AAR

L 545 FX, 545 FXT, 545 RX, 545 RXT, 345 FR
IGNITION SYSTEM

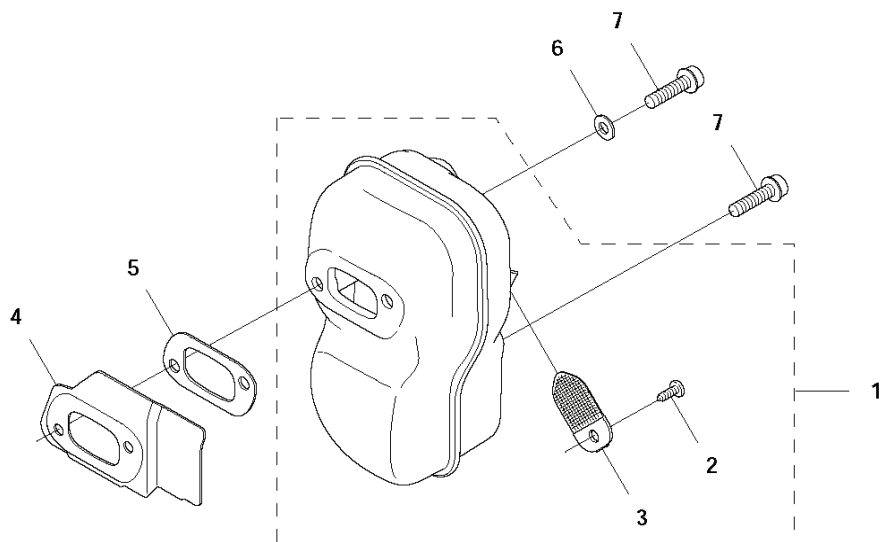


BRUSHCUTTERS/CLEARING SAWS

PXM_REF	PXM_PARTNO	DESCRIPTION	PXM_REMARK	QTY.	
1	525850003	ONTSTEKING MODULE	FX. FXT. s/n from 20122300181 - to 20143400090	1	
1	585073904	ONTSTEKINGSSYSTEEM	FX. FXT. s/n from 20143400091 -	1	
1	525850002	ONTSTEKING MODULE	FX. FXT. s/n up to - 20122300180	1	
2	576889501	BOUGIEDOP		1	1
3	537323801	CONTACTVEER		1	
4	503200774	SCHROEF IHSCFM		2	
5	525858401	KORTSLUITKABEL		1	
6	574519601	BOUGIE	NGK CMR6H	1	
7	587059701	STATOR COMPL.	FXT	1	
8	503216618	SCHROEF IHSCF		2	
9	503953303	VLIEGWIEL		1	
10	503812401	STARTPAL		2	9
11	503230042	RING		2	9
12	501819903	SCREW		2	9
13	503812902	VEER		2	9
14	503220401	MOER		1	

KEES VAN DER SPEK
TUIN EN PARKMACHINES * TER AAR

H1 545 FX, 545 FXT, 545 RX, 545 RXT, 345 FR
MUFFLER, FF



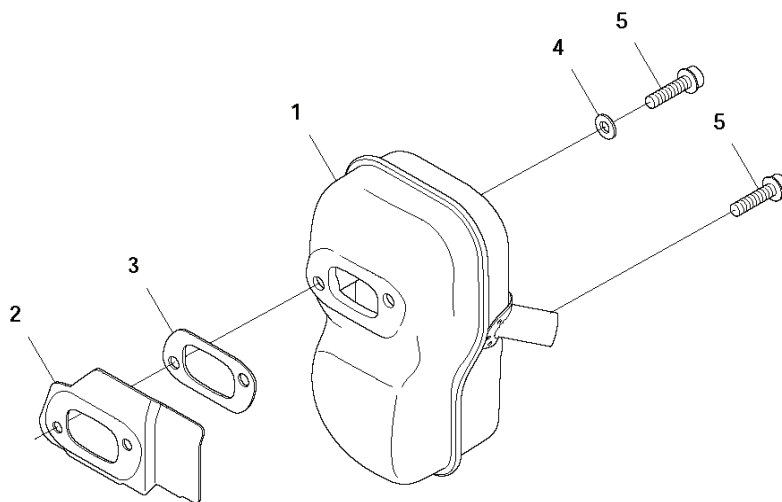
KEES VAN DER SPEK
TUIN EN PARKMACHINES * TER AAR

BRUSHCUTTERS/CLEARING SAWS

PXM_REF	PXM_PARTNO	DESCRIPTION	PXM_REMARK	QTY.
1	574381106	GELUIDDEMPERSET		1
2	724128759	SCHROEF CRPANM		1 1
3	522609501	VONKENVANGER SHERM		1 1
4	522938701	WARMTEDEFLECTOR		1
5	522954401	PAKKING		1
6	503230402	RING		1
7	503200776	SCHROEF IHSCFM		3

KEES VAN DER SPEK
TUIN EN PARKMACHINES * TER AAR

H2 545 FX, 545 FXT, 545 RX, 545 RXT, 345 FR
MUFFLER, PIPE



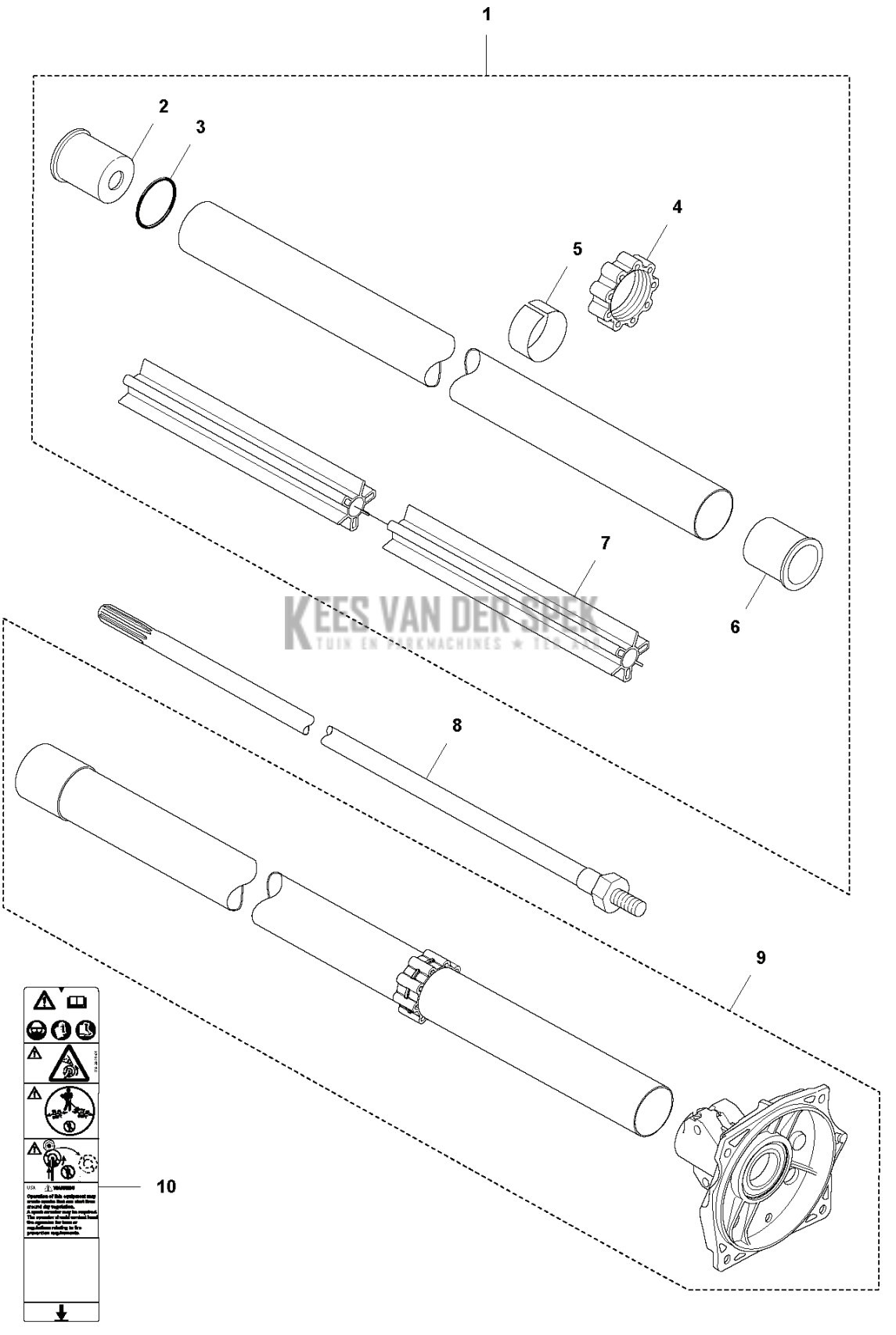
KEES VAN DER SPEK
TUIN EN PARKMACHINES * TER AAR

BRUSHCUTTERS/CLEARING SAWS

PXM_REF	PXM_PARTNO	DESCRIPTION	PXM_REMARK	QTY.
1	574381105	GELUIDDEMPERSET		1
2	522938701	WARMTEDEFLECTOR		1 1
3	522954401	PAKKING		1 1
4	503230402	RING		1
5	503200776	SCHROEF IHSCFM		3

KEES VAN DER SPEK
TUIN EN PARKMACHINES ✦ TER AAR

B 545 FX, 545 FXT, 545 RX, 545 RXT, 345FR
SHAFT



A vertical column of safety icons including a triangle with an exclamation mark, a triangle with a lightning bolt, a triangle with a hand, a triangle with a gear, and a triangle with a gear and a hand. Below the icons is a warning label with the following text:

10

10 **ATTENTION**
Operation of this equipment may
involve the use of tools.
A specific instruction must be followed.
The operator must read the manual
before using the tool.
The operator must wear the
appropriate safety gear.

↓

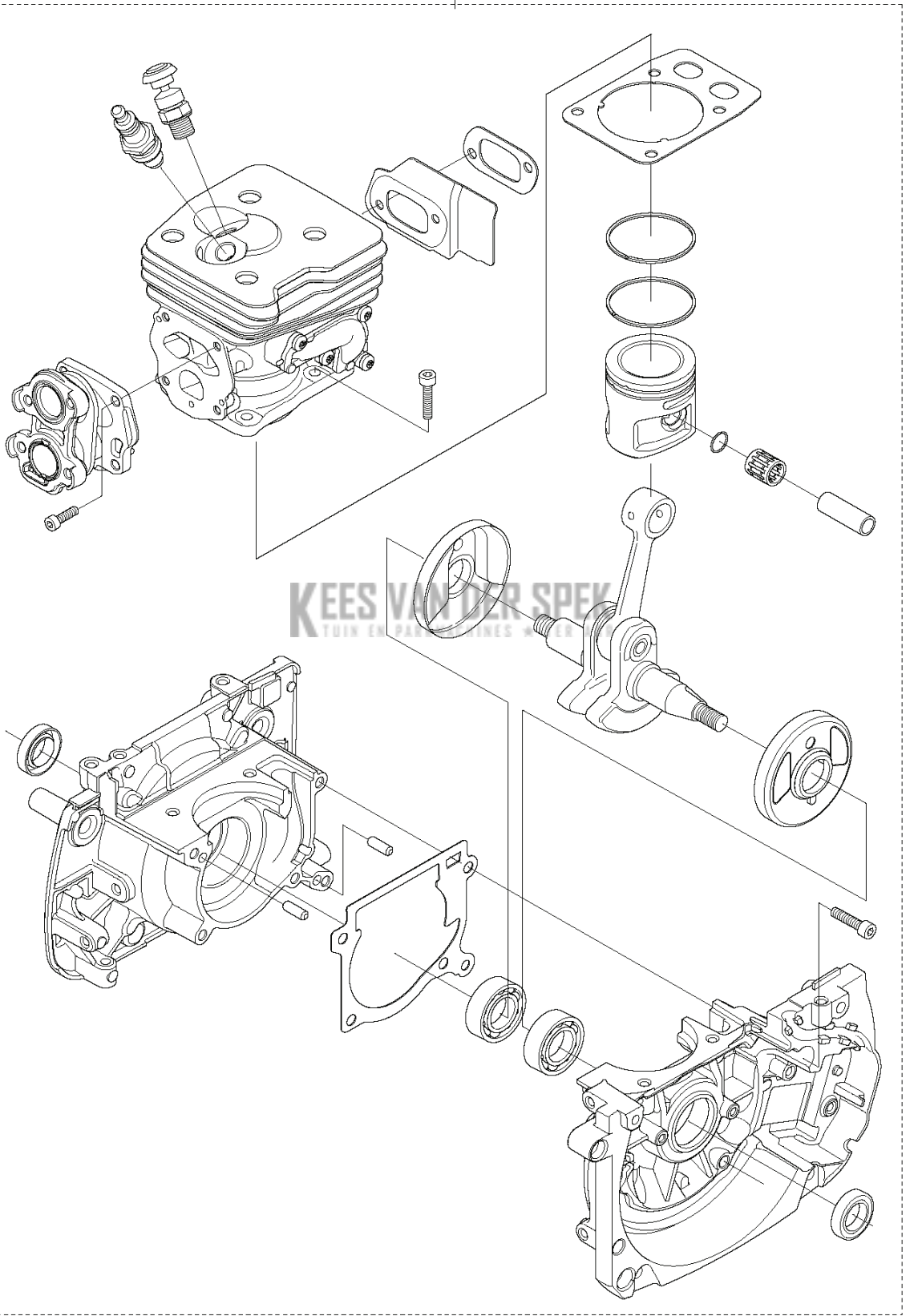
BRUSHCUTTERS/CLEARING SAWS

PXM_REF	PXM_PARTNO	DESCRIPTION	PXM_REMARK	QTY.	
1	586262614	TUBE ASSY	from s/n 20194300361 - . For older products use kit 5978421-03	1	
2	544029401	AFSTANDRING	FR, FX, FXT	1	1
3	506110301	O-RING		1	1
4	537309801	AV ELEMENT		1	1
5	537309702	TAPE		1	1
6	544029401	AFSTANDRING	FR, FX, FXT	1	1
7	523018801	LAGERAS	FX, FXT, RX	1	1
8	503955401	AANDRIJFAS	FX, FXT	1	
9	597842103	KOPPELINGSKAP COMPL.	up to s/n - 20194300360.	1	
10	589295101	PLAATJE		1	

KEES VAN DER SPEK
TUIN EN PARKMACHINES * TER AAR

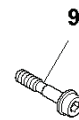
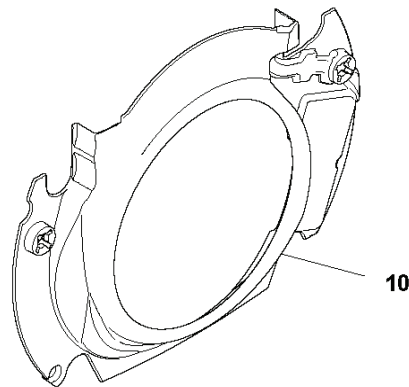
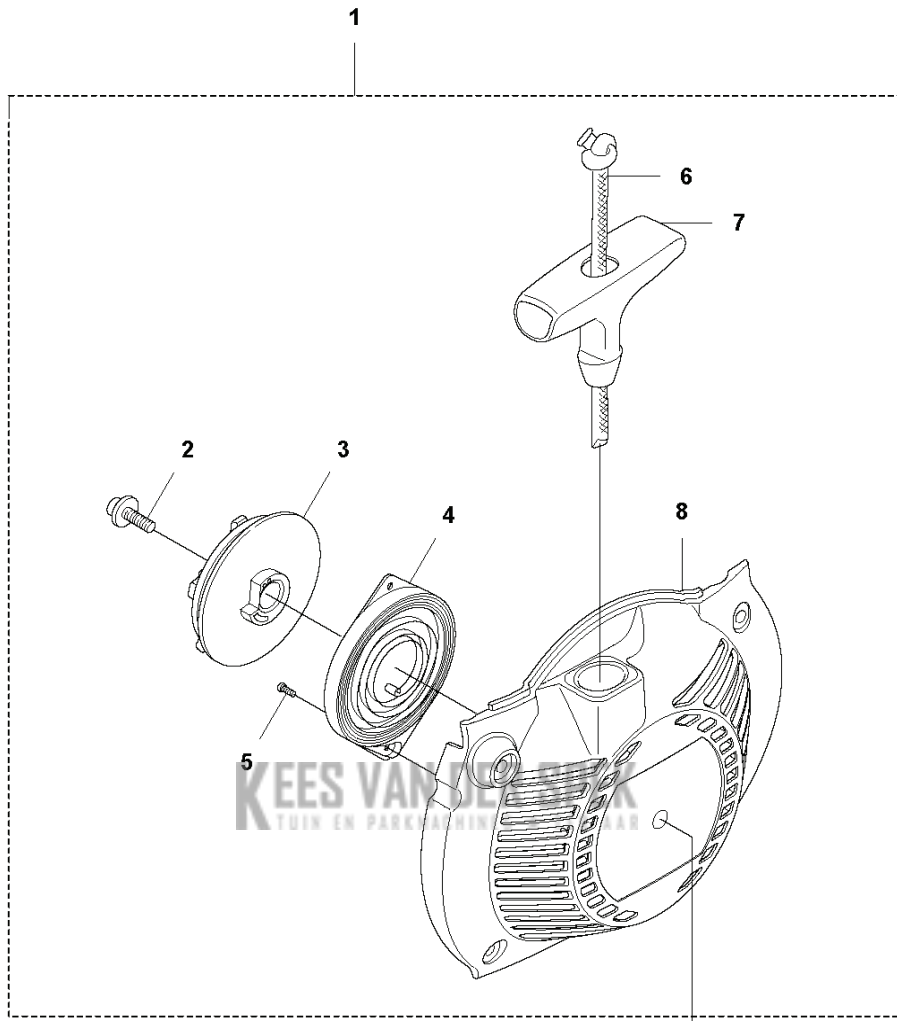
T 545 FX, 545 FXT, 545 RX, 545 RXT, 345FR
SHORT BLOCK

1



PXM_REF	PXM_PARTNO	DESCRIPTION	PXM_REMARK	QTY.
1	585451501	CARTER SYSTEEM		1

K 545 FX, 545 FXT, 545 RX, 545 RXT, 345 FR
STARTER

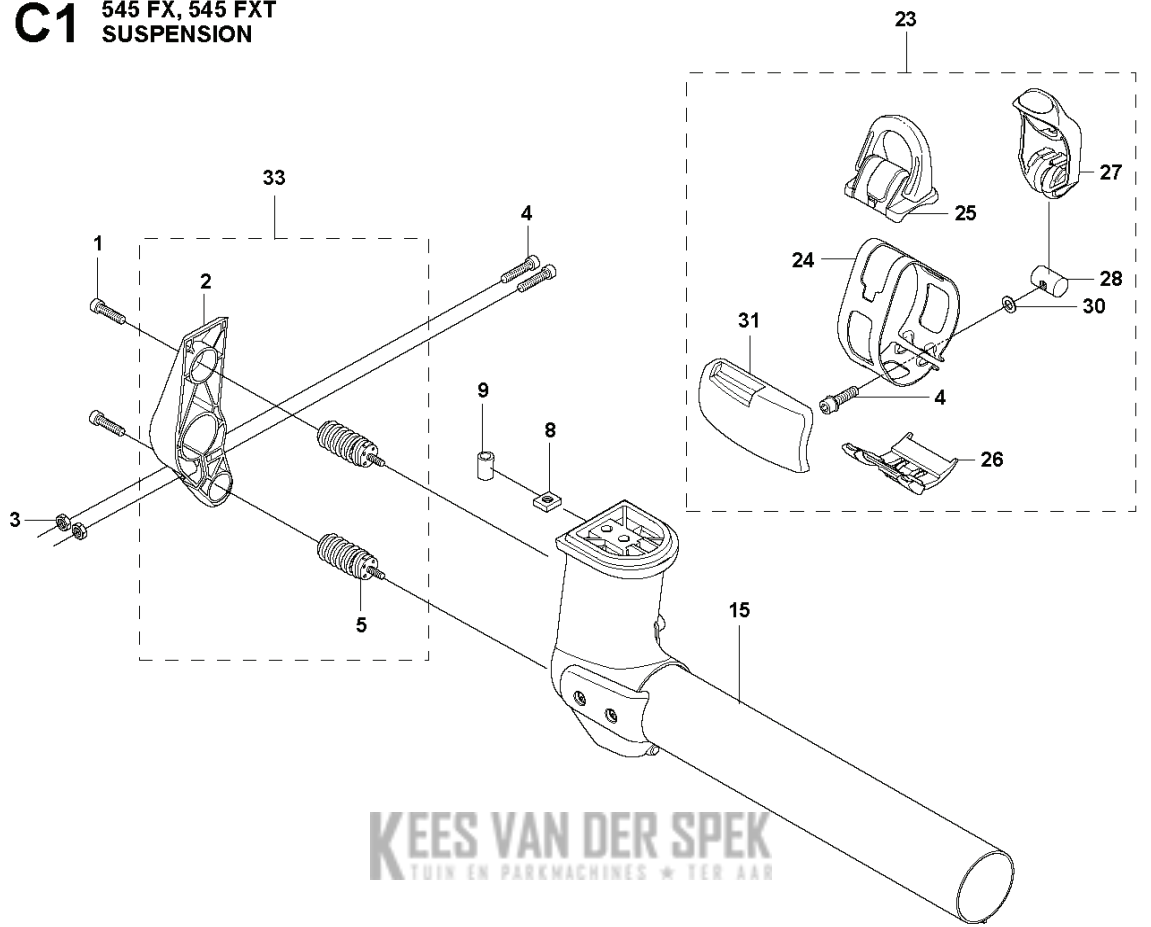


BRUSHCUTTERS/CLEARING SAWS

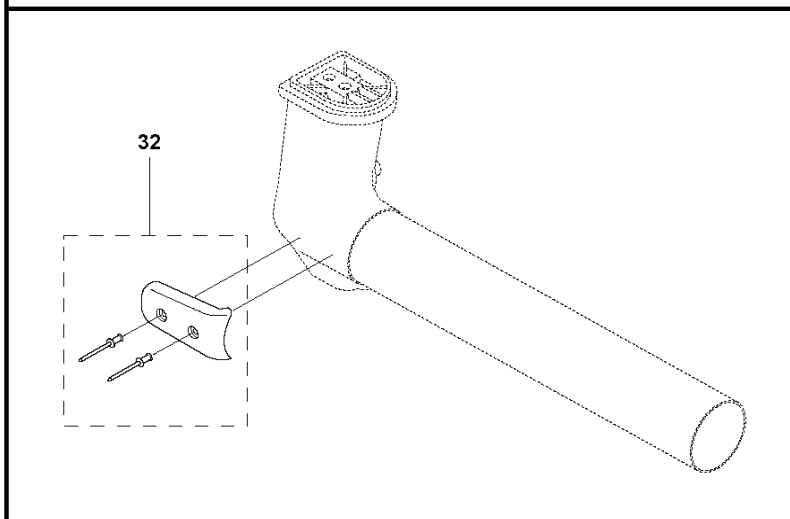
PXM_REF	PXM_PARTNO	DESCRIPTION	PXM_REMARK	QTY.
1	573960801	STARTER		1
2	503216916	SCHROEF IHST		1 1
3	503957301	KOORDSCHIJF		1 1
4	502200601	VEERCASSETTE COMPL.		1 1
5	503212910	SCHROEF CCRPANT		2 1
6	505305125	STARTKOORD		1 1
7	537232501	STARTHANDVAT		1 1
8	502157701	STARTER COMPL.		1 1
9	574477004	SCHROEF IHSCFMO		4
10	510205001	LUCHTLEIDING		1
11	576468102	PLAATJE		1

KEES VAN DER SPEK
TUIN EN PARKMACHINES * TER AAR

C1 545 FX, 545 FXT
SUSPENSION



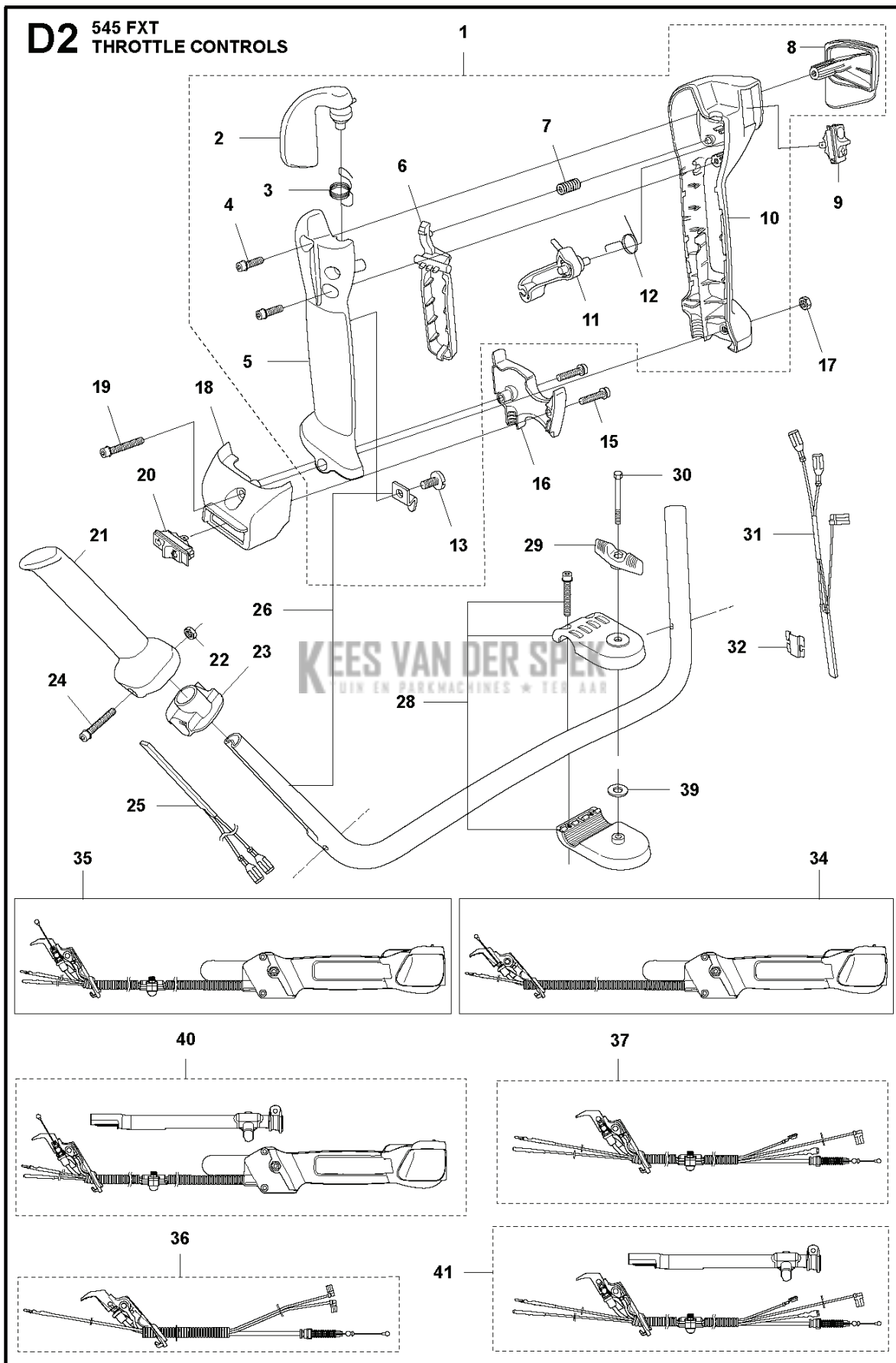
KEES VAN DER SPEK
TUIN EN PARKMACHINES * TER AAR



BRUSHCUTTERS/CLEARING SAWS

PXM_REF	PXM_PARTNO	DESCRIPTION	PXM_REMARK	QTY.
1	503200216	SCHROEF IHSCFM		2
2	589015801	HOUDER	s/n before 174200147. Holder kit 591 18 60-01 needs to be used.	1 33
3	503221012	ZESKANT MOER		2
4	503200225	SCHROEF IHSCFM		2
5	537299701	AV ELEMENT	s/n up to - 174200146	2
5	588829901	AV ELEMENT	s/n from 174200147 -	2 33
8	502197101	MOER 4-KANT		1
9	503857302	DEKSEL		1
15	581978901	OPHANGING	F, Fx, FxT, FR, Magnesium	1
23	577375701	LUS		1
24	537197901	BAND		1 23
25	537201803	LUS		1 23
26	577299301	GELEIDERAIL		1 23
27	577208301	HEFBOOM		1 23
28	537427301	MOER		1 23
29	503200725	SCHROEF IHSCFM		1 23
30	503230011	RING		1 23
31	544250701	SLUTBESCHERMING		1 23
32	586202701	SLUTBESCHERMING		1
33	591186001	HOLDER KIT		1

KEES VAN DER SPEK
TUIN EN PARKMACHINES * TER AAR



BRUSHCUTTERS/CLEARING SAWS

PXM_REF	PXM_PARTNO	DESCRIPTION	PXM_REMARK	QTY.
1	537197213	GASHANDGRIEP	Thumb-operated throttle	1
2	537263401	THROTTLE TRIGGER		1 1
3	537283701	SPRING THROTTLE TRIG		1 1
4	503217520	SCHROEF IHSCFT		2 1
5	537155301	HANDGRIEPEHELFT		1 1
6	537155601	GASVERGREDELING		1 1
7	537199701	VEER		1 1
8	537182401	DEKSEL		1 1
9	537419001	SCHAKELAAR		1
10	537155201	HANDGRIEPEHELFT		1 1
11	537263501	GASHEFBOOM		1 1
12	537342701	VEER		1 1
13	503217010	SCHROEF CCRPANT		1 1
15	503216674	SCHROEF IHSCFT	FXT	2
16	537201601	HOUDER	FXT	1
17	731231405	ZESKANT MOER		1
18	537201501	HOUDER	FXT	1
19	503200235	SCHROEF IHSCFM		1
19	503200245	SCHROEF IHSCFM	FXT	1
20	503718202	SCHAKELAAR	FXT	1
21	537172805	HENDEL		1
22	731231405	ZESKANT MOER		1
23	537172902	BEVESTIGING		1
24	503200245	SCHROEF IHSCFM	FXT	1
25	537227201	ELEMENT	FXT	1
26	525882002	STUUR	FXT	1
28	595303601	STUURHOUDER	s/n from 20173300001 up to 20181100180	1
28	596283301	STUURHOUDER		1
29	502203801	KNOP		1
30	725238381	SCHROEF EHHM		1
31	537227101	ELEMENT	FXT	1
32	537265101	BORGPLAAT	FXT	2
34	577000301	GASHANDGRIEP COMPL.	FX, Thumb-operated throttle	1
35	577000305	GASHANDGRIEP COMPL.	FXT, from s/n 20152500060 -	1
36	525437501	BEKABELING COMPL.	FX	1
37	581927902	BEKABELING COMPL.	FXT, from s/n 20152500060 -	1
39	502282101	RING		1
40	588585701	GASHANDGRIEP COMPL.	FXT, up to s/n - 20152500059	1
41	588585901	BEKABELING COMPL.	FXT, up to s/n - 20152500059	1

KIES VAN DER SPEK
 VERKACHING & TER AAR