



Husqvarna®



BCA850

KEES VAN DER SPEK
TUIN EN PARKMACHINES • TER AAR

| | | |
|----|------------------------|---------|
| EN | Operator's manual | 2-14 |
| DA | Brugsanvisning | 15-27 |
| DE | Bedienungsanweisung | 28-42 |
| ES | Manual de usuario | 43-57 |
| FI | Käyttöohje | 58-70 |
| FR | Manuel d'utilisation | 71-84 |
| IT | Manuale dell'operatore | 85-98 |
| NL | Gebbruiksaanwijzing | 99-112 |
| NO | Bruksanvisning | 113-125 |
| PT | Manual do utilizador | 126-139 |
| SV | Bruksanvisning | 140-152 |

Contents

| | | | |
|-------------------|---|-----------------------------------|----|
| Introduction..... | 2 | Maintenance..... | 11 |
| Safety..... | 3 | Technical data..... | 12 |
| Assembly..... | 7 | Accessories..... | 13 |
| Operation..... | 9 | EC Declaration of Conformity..... | 14 |

Introduction

Product description

We have a policy of continuous product development and therefore reserve the right to modify the design and appearance of the products without prior notice.

Note: This manual cover battery operated power units.

Intended use



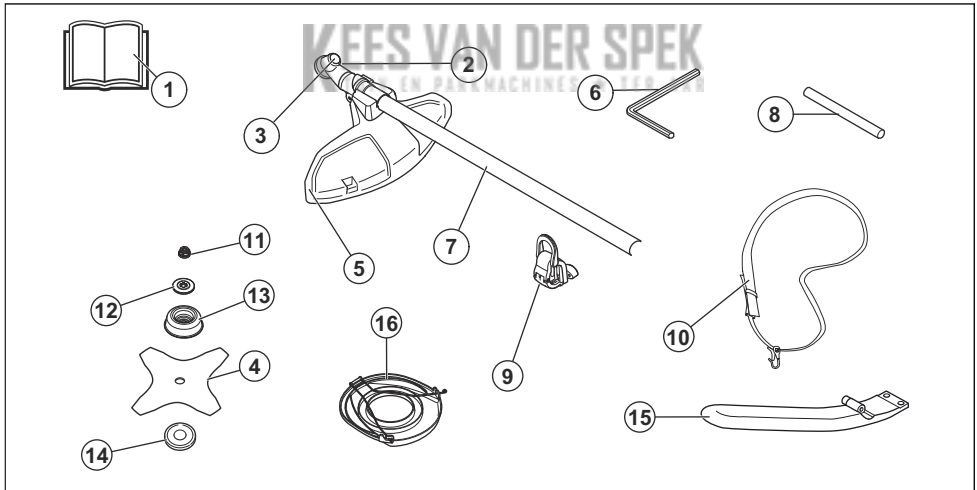
WARNING: This attachment may only be used together with the intended product, see

the accessory chapter in the Operator's Manual of the product.

This is a brushcutter to cut different types of vegetation. Do not use the product for other tasks than grass trimming and grass clearing. Use a grass blade to cut grass.

Note: National or local regulations may regulate the use. Comply to given regulations.

Product overview



- | | |
|-----------------------------|---------------------|
| 1. Operator's manual | 10. Harness |
| 2. Bevel gear | 11. Locknut |
| 3. Hole for locking pin | 12. Support flange |
| 4. Grass blade | 13. Support cup |
| 5. Cutting attachment guard | 14. Drive disc |
| 6. 4 mm hex | 15. J-handle |
| 7. Shaft | 16. Transport guard |
| 8. Locking pin | |
| 9. Harness support hook | |
-

Symbols on the product



WARNING! Careless or incorrect use of this attachment can result in serious or fatal injury to the operator or others.



Use a protective helmet in locations where objects can fall on you. Use approved hearing protection. Use approved eye protection.



Maximum speed of the output shaft.



Keep all parts of your body away from the hot surfaces.



The product can cause objects to eject, which cause injury.



Risk of blade thrust if the cutting equipment touches an object that it does not immediately cut. The product can cut off body parts. Keep a minimum of 15 m / 50 ft. distance to persons and animals during operation of the product.



Use approved protective gloves.



Use heavy-duty slip-resistant boots.



The operator must ensure that no people or animals come closer than 15 metres. When several operators are working at the same site a safety distance of at least 15 metres must be in effect. The attachment can forcibly throw objects that can bounce back. This can result in serious eye injuries if the recommended safety equipment is not used.



Noise emission to the environment according to the European Community's Directive. The attachment's emission is specified in the Technical data chapter and on the label.

yyyywwxxxx

The rating plate shows the serial number. **yyyy** is the production year, **ww** is the production week and **xxxx** is the sequential number.

Note: Other symbols/decals on the product refer to certification requirements for other commercial areas.

Manufacturer

Husqvarna AB

Drottninggatan 2, SE-561 82 Huskvarna, Sweden, tel: +46-36-146500

Safety

Safety definitions

Warnings, cautions and notes are used to point out several important parts of the manual.



WARNING: Used if there is a risk of injury or death for the operator or bystanders if the instructions in the manual are not obeyed.



CAUTION: Used if there is a risk of damage to the product, other materials or the adjacent area if the instructions in the manual are not obeyed.

Note: Used to give more information that is necessary in a given situation.

General power tool safety warnings



WARNING: Read all safety warnings, instructions, illustrations and specifications provided with this power tool. Failure to follow all instructions listed below may result in electric shock, fire and/or serious injury.

Note: Save all warnings and instructions for future reference. The term "power tool" in the warnings refers to your mains-operated (corded) power tool or battery-operated (cordless) power tool.

Other general safety information

- Deactivate the product before you move to another area. Always remove the battery when passing the product to another person.

- Never put the product down unless you have deactivated it and removed the battery. Do not leave the product unsupervised when it is switched on.
- The cutting tool does not stop immediately after the product is turned off.
- The blade should be completely stopped once the trigger switch has returned to the initial position.
- Before using the product and after any impact, check for signs of wear or damage and repair as necessary.
- If anything jams in the cutting attachment while you operate the product, stop and deactivate the product. Make sure that the cutting attachment stops completely. Remove the battery before you clean, inspect or repair the product and/or the cutting equipment.
- Do a check of the product before use. Refer to, *Product overview on page 2* and *To do a check of the cutting attachment guard on page 6*. Do not use a defective product. Do the safety checks, maintenance and service instructions described in this manual.
- Faulty cutting attachment can increase the risk of accidents.
- Check the gear for dirt and cracks. Clean off grass and leaves from the gear using a brush. Gloves should be worn when necessary.
- Always ensure that ventilation openings are kept clear of debris.
- Check that the trimmer head is completely attached to the trimmer.
- All covers, guards and handles must be fitted before starting.
- Check that the product is in perfect working order. Check that all nuts and screws are tight.
- Check that the trimmer head and trimmer guard are not damaged or cracked. Replace the trimmer head or trimmer guard if it has been exposed to impact or are cracked. Always use the recommended guard for the cutting attachment you are using. See chapter on Technical data.
- This product is a dangerous tool if you are not careful or if you use the product incorrectly. This product can cause serious injury or death to the operator or others.
- This appliance is not intended for use by persons (including children) with reduced physical, sensory or mental capabilities, or lack of experience and knowledge, unless they have been given supervision or instruction concerning use of the appliance by a person responsible for their safety. Children should be supervised to ensure that they do not play with the appliance.
- Never allow children to use or be in the vicinity of the machine. Since the machine is easy to start, children may be able to start it if they are not kept under full surveillance. This can mean a risk of serious personal injury. Therefore disconnect the battery when the machine is not under close supervision.
- Never allow children or other persons not trained in the use of the product and/or the battery to use or service it.
- National or local regulations may regulate the use. Comply to given regulations.
- Store the equipment in a lockable area so that it is out of reach of children and unauthorized persons.
- The transport guard must always be used for storage and transport.
- Secure the product during transport.
- Keep hands and feet away from the cutting area at all times and especially when switching on the motor.
- Keep your hands and feet away from the cutting attachment until it has stopped completely when the product is deactivated.
- Do not remove the cut material, or let other persons remove cut material, while the product is activated or the cutting equipment rotates, as this can result in serious injury.
- Keep in mind that it is you, the operator that is responsible for not exposing people or their property to accidents or hazards.
- Under no circumstances may the design of the product be modified without the permission of the manufacturer. Always use original accessories. Non-authorized modifications and/or accessories can result in serious personal injury or the death of the operator or others. Your warranty may not cover damage or liability caused by the use of non-authorized accessories or replacement parts.
- The only accessories you can operate with this product are the cutting attachments recommended in the technical data chapter.
- Never use a product that has been modified in any way from its original specification
- Never use a product that is faulty. Carry out the safety checks, maintenance and service instructions described in this manual. Some maintenance and service measures must be carried out by trained and qualified specialists. See instructions under the Maintenance heading.
- Working in bad weather is tiring and often brings added risk. Due to the added risk, it is not recommended to use the machine in very bad weather, for instance in dense fog, heavy rain, strong winds, intense cold, risk of lightning, etc
- Never work from a ladder, stool or any other raised position that is not fully secured.
- Store Idle Appliances Indoors – When not in use, appliances should be stored indoors
- It is not possible to cover every conceivable situation you can face. Always exercise care and use your common sense. Avoid all situations which you consider to be beyond your capability. If you still feel uncertain about operating procedures after reading these instructions, you should consult an expert before continuing.

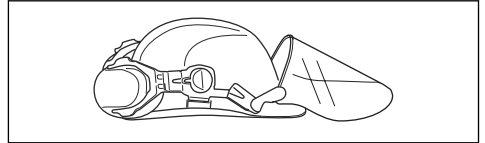
- Ensure that no people or animals come closer than 15 meters while you work. When several operators are working in the same area the safety distance should be at least 15 metres. Otherwise there is a risk of serious personal injury. Stop the product immediately if anyone approaches. Never swing the product around without first checking behind you to make sure that no one is within the safety zone.
- If anything jams in the cutting attachment while you operate the product, stop and deactivate the product. Make sure that the cutting attachment stops completely. Remove the battery before you clean, inspect or repair the product and/or the cutting equipment.
- Ensure that people, animals or other things can not affect your control of the product or that they do not come in contact with the cutting attachment or loose objects that are thrown out by the cutting attachment. However, do not use the product unless you are able to call for help in the event of an accident.
- Make sure that you can move and stand safely. Check the area around you for possible obstacles (roots, rocks, branches, ditches, etcetera) in case you have to move suddenly. Take great care when you work on sloping ground.
- Walk, never run.
- Inspect the working area. Remove all loose objects, such as stones, broken glass, nails, steel wire, string etc. that could be thrown out or become wrapped around the cutter or cutter guard.
- Watch out for stumps of branches that can be thrown out when you cut. Do not cut too close to the ground where stones and other objects can be thrown out.
- Make sure that no clothes or parts of the body come in contact with the cutting attachment when the product is activated. Keep the product below waist level.
- Watch out for thrown objects. Always wear approved eye protection. Never lean over the cutting attachment guard. Stones, rubbish, etc., can be thrown up into the eyes which can cause blindness or serious injury.
- Listen out for warning signals or shouts when you wear hearing protection. Always remove your hearing protection as soon as the product stops.
- If any unwanted vibrations occur, tap out new line to give the line the correct length to stop the vibrations.
- If the product starts vibrating abnormally, stop the product and remove the battery.
- Overexposure to vibration can lead to circulatory damage or nerve damage in persons who have poor circulation. Speak to your physician if you experience symptoms of overexposure to vibration. Such symptoms include numbness, loss of feeling, tingling, pricking, pain, loss of strength, changes in skin color or condition. These symptoms usually show in the fingers, hands or wrists.
- Always hold the product with both hands. Hold the product on the right side of your body.

Personal protective equipment

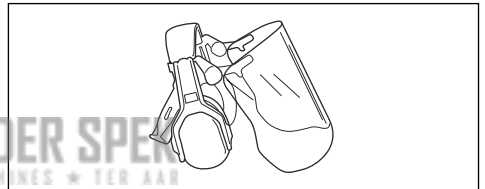


WARNING: Read the warning instructions that follow before you use the product.

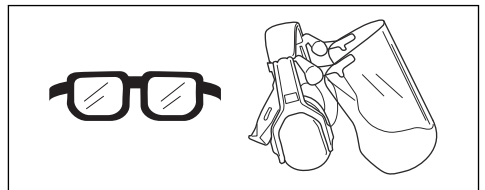
- Always use approved personal protective equipment when you use the product. Personal protective equipment cannot fully prevent injury but it decreases the degree of injury if an accident does occur. Let your dealer help you select the right equipment.
- Use a protective helmet where there is a risk of falling objects.



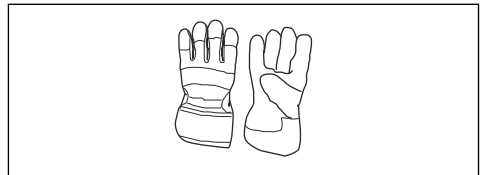
- Use approved hearing protection that provides adequate noise reduction. Long-term exposure to noise can result in permanent hearing impairment.



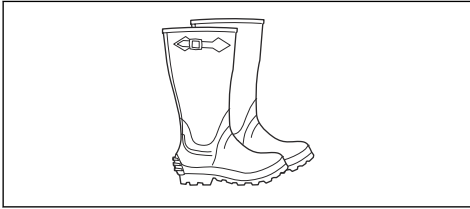
- Use approved eye protection. If you use a visor, you must also use approved protective goggles. Approved protective goggles must comply with the ANSI Z87.1 standard in the USA or EN 166 in EU countries.



- Use gloves when necessary, for example when you attach, examine or clean the cutting equipment.



- Use sturdy non-slip boots.



- Use clothing made of a strong fabric. Always use heavy, long pants and long sleeves. Do not use loose clothing that can catch on twigs and branches. Do not wear jewelry, short pants, sandals or go with bare feet. Put your hair up safely above shoulder level.
- Keep first aid equipment close at hand.



Safety devices on the product



WARNING: Read the warning instructions that follow before you use the product.

In this section the product's safety features, its purpose and how checks and maintenance should be carried out to ensure that it operates correctly. See instructions under the heading *Introduction on page 2* to find where these parts are located on your product.

The life span of the product can be reduced and the risk of accidents can increase if product maintenance is not carried out correctly and if service and/or repairs are not carried out professionally. If you need further information please contact your nearest servicing dealer.



WARNING: Never use a product with defective safety components. The product's safety equipment must be inspected and maintained as described in this section. If your product fails any of these checks, contact your service agent to get it repaired.



CAUTION: All servicing and repair work on the machine requires special training. This is especially true of the machine's safety equipment. If your machine fails any of the checks described below you must contact your service agent. When you buy any of our products we guarantee the availability of professional repairs and service. If the retailer who sells your machine is not a

servicing dealer, ask him for the address of your nearest service agent.

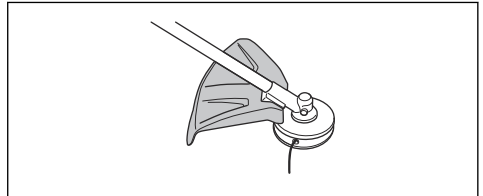
To do a check of the cutting attachment guard



WARNING: Do not use a cutting attachment without an approved and correctly attached cutting attachment guard. Always use the recommended cutting attachment guard for the cutting attachment that you use, see *Accessories on page 13*. If an incorrect or faulty cutting attachment guard is attached this can cause serious personal injury.

The cutting attachment guard stops objects that ejects in the direction of the operator. It also prevents injuries that occur if you touch the cutting attachment.

1. Stop the motor.
2. Do a visual check for damages, for example cracks.



3. Replace the cutting attachment guard if it is damaged.

Safety instructions for assembly



WARNING: Read, understand and obey these instructions carefully before you use the product.

- Remove the battery from the product before you assemble the product.
- Use approved protective gloves.
- A defective or incorrect guard can cause injury. Do not use a cutting attachment that does not have an approved guard attached.
- Make sure that you assemble the cover and shaft correct before you start the product.
- The drive disc and support flange must engage correctly in the centre hole of the cutting attachment. A cutting attachment that is attached incorrectly can cause injury or death.
- To operate the product safely and prevent injury to the operator or other persons, the product must always be attached correctly to the harness.

Safety instructions for maintenance



WARNING: Read the warning instructions that follow before you do maintenance on the product.

- Remove the battery before you do maintenance, other checks or assemble the product.
- The operator must only do the maintenance and servicing shown in this operator's manual. Turn to your servicing dealer for maintenance and servicing of a larger extension.
- Do not clean the battery or the battery charger with water. Strong detergent can cause damage to the plastic.
- If you do not do maintenance, it decreases the life cycle of the product and increases the risk of accidents.
- Special training is necessary for all servicing and repair work, especially for the safety devices on the product. If not all checks in this operator's manual are approved after you have done maintenance, turn to your servicing dealer. We guarantee that there are professional repairs and servicing available for your product.

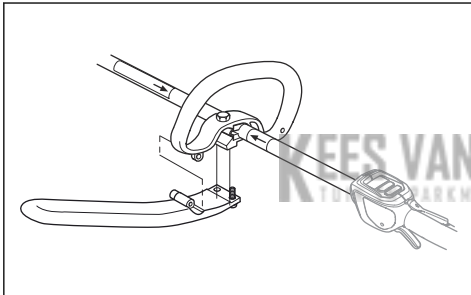
Assembly

To assemble the J-handle

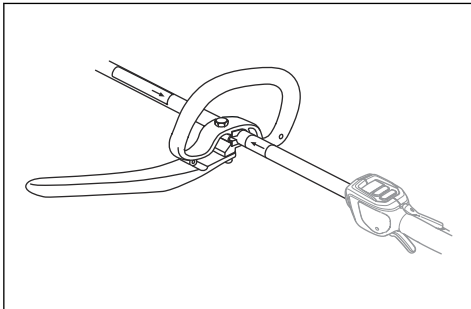


WARNING: The J-handle shall be attached to the loop handle if you intend to use the product with any of the metal cutting attachments recommended.

1. Attach the J-handle to the loop handle with 3 screws.

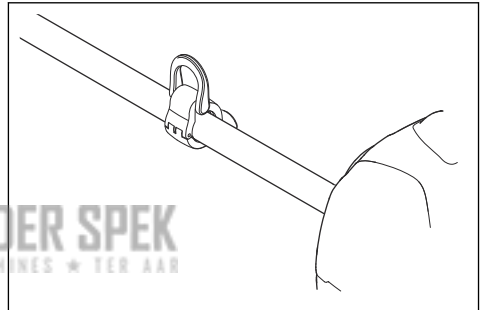


2. Adjust the product to a comfortable position.
3. Tighten the screws.



To install the harness support hook if applicable

1. Install the harness support hook between the arrows on the rear handle and the loop handle.



Note: Do not put the loop handle on the decal.

2. Adjust the ring to make the product balanced, and easy to use.

To assemble the cutting equipment

The cutting equipment includes a cutting attachment and a cutting attachment guard.



WARNING: Use protective gloves.



WARNING: Always use the cutting attachment guard that is recommended for the cutting attachment. See *Technical data* on page 12.

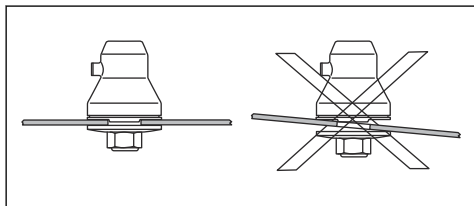


WARNING: An incorrectly attached cutting attachment can result in injury or death.

Assembly of blades



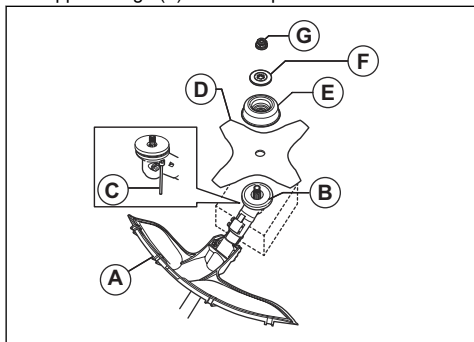
WARNING: When you install the cutting attachment it is very important that the raised section on the drive disc/support flange engages correctly in the centre hole of the cutting attachment. If the cutting attachment is installed incorrectly it can result in serious and/or fatal personal injury.



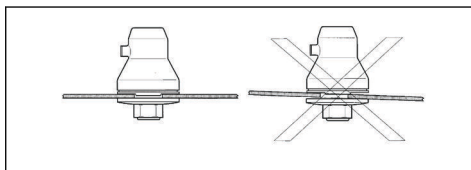
WARNING: Never use a cutting attachment without an approved guard. See the chapter on Technical data. If an incorrect or faulty guard, or the J-handle is missing when using a metallic cutting attachment, is fitted this can cause serious personal injury.

To attach the grass blade

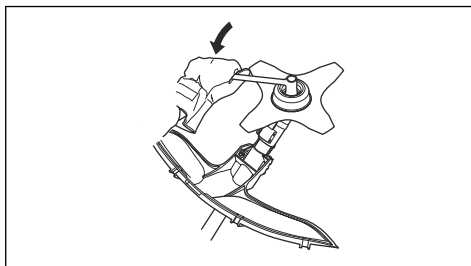
1. Put the gear of the product on a flat surface to make sure that the blade is assembled correctly.
2. Turn the output shaft to align one of the holes in the drive disc (B) with the related hole in the gear housing.
3. Put the locking pin (C) in the hole to lock the shaft.
4. Put the grass blade (D), the support cup (E) and the support flange (F) on the output shaft.



5. Make sure that the drive disc and support flange engages correctly in the center hole of the grass blade.

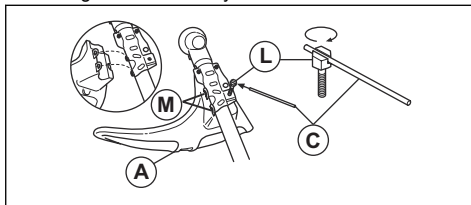


6. Attach the nut (G).
7. Tighten the nut with the socket wrench. Hold the shaft of the socket wrench near the blade guard. Tighten in the opposite direction to how the cutting attachment rotates. Tighten it to a torque of 35-50 Nm.



To attach the trimmer guard for a trimmer head

1. Hang the trimmer guard (A) onto the two hooks on the plate holder (M).
2. Bend the guard around the shaft and attach it with the bolt (L) on the opposite side of the shaft.
3. Put the locking pin (C) in the groove on the bolt head and tighten the bolt fully.



Grass blade

- Use correctly sharpened blades. An incorrectly sharpened or damaged blade increases the risk of injury.
- Use correctly set blades. Correct blade set is 1 mm. An incorrectly set blade increases the risk of injury and damage.
- To sharpen and set the blade correctly, refer to the instructions that come with the blade.

To balance the product



WARNING: Always use the harness when you operate the product. The harness gives maximum control of the product and decrease the risk to become fatigued in your arms and back.

- Put on the harness.
- Connect the support hook of the product to the harness and keep the cutting attachment parallel with the ground.

- The product is correctly balanced when the blade is at cutting height near the ground.



Operation

Introduction



WARNING: Read and understand the safety chapter before you use the product.

To adjust the harness



WARNING: Always attach this product to the harness correctly. If not, you cannot control the product safely and this can result in injury to you or others. Do not use a harness with a defective quick release.



WARNING: If an emergency occurs, let go of the harness and the product and let it fall to the ground.

1. Put on the harness.
2. Adjust the harness for the best work position.
3. Adjust the harness until the cutting attachment is parallel to the ground.



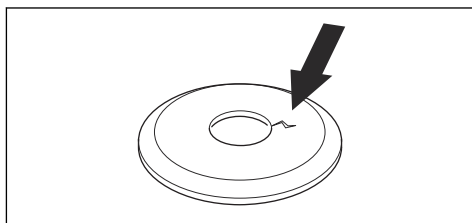
4. If the operation is to cut grass, let the cutting attachment stay lightly on the ground. Adjust the harness clamp to balance the product correctly.

Work position

- Hold the product with 2 hands.
- Hold the product on the right side of your body.
- Keep the cutting attachment below waist level.
- Keep body parts away from the hot surfaces.
- Keep body parts away from the cutting attachment.

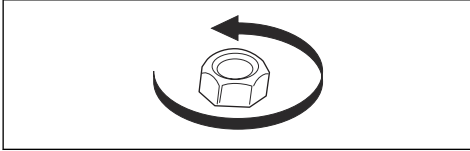
Before you operate the product

- Examine the work area to make sure that you know the type of terrain, the slope of the ground and if there are obstacles such as stones, branches and ditches.
- Do an overhaul inspection of the product.
- Do the safety inspections, maintenance and servicing that are given in this manual.
- Make sure that all covers, guards, handles and the cutting equipment are correctly attached and not damaged.
- Make sure that there are no cracks at the bottom of the grass blade teeth or by the center hole of the blade. Replace the blade if it is damaged.
- Examine the support flange for cracks. Replace the support flange if it is damaged.

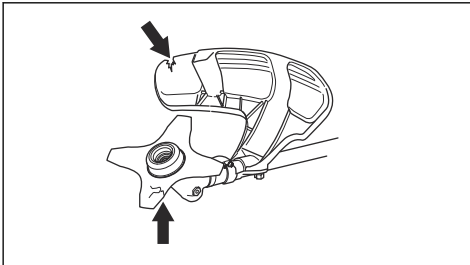


- Make sure that the locknut can not be removed by hand. If you can remove it by hand, it does not lock

the cutting attachment sufficiently and you must replace it.



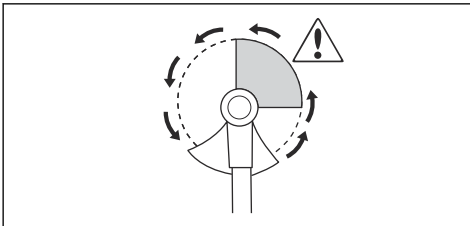
- Examine the blade guard for damages or cracks. Replace the blade guard if it has been hit or if it has cracks.
- Examine the trimmer head and cutting attachment guard for damages or cracks. Replace the trimmer head and cutting attachment guard if they have been hit or if they have cracks.



Blade thrust



WARNING: A blade thrust is when the product moves to the side quickly and with force. A blade thrust occurs when the grass blade hits or catches on an object that cannot be cut. A blade thrust can eject the product or operator in all directions. There is a risk of injury to the operator and bystanders. The risk increases in areas where it is not easy to see the material that should be cut. Do not cut with the area of the blade that is shown in grey in the illustration. The speed and movement of the blade can cause blade thrust. The risk increases with the thickness of the stem that is cut.

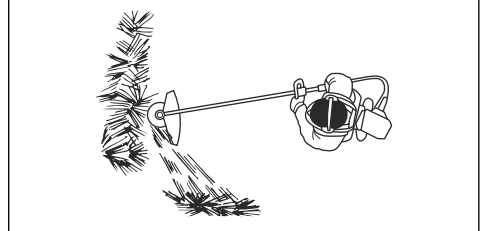


Grass clearing with a grass blade



CAUTION: Do not use grass blades and grass knives on wood. Use grass blades and grass knives for long or heavy grass only.

- Move the product from side to side.
- Start the movement from right to left when you cut. Move the product to the right before you cut again.
- Cut with the left side of the grass blade.



- Tilt the grass blade to the left to make the grass fall in a line. This makes it easy to collect the grass.
- Keep a stable position with your feet apart.
- Move forward after each right movement and make sure that you have a stable position again before you cut again.
- Keep the support cup with a light pressure against the ground to make sure that the grass blade does not hit the ground.
- Obey these instructions to decrease the risk that cut material winds around the grass blade:
 - a) Apply full throttle.
 - b) Do not move the grass blade through cut material when you move the product from left to right.
- Before you collect the cut material, stop the engine and remove the product from the harness. Put the product down on the ground.

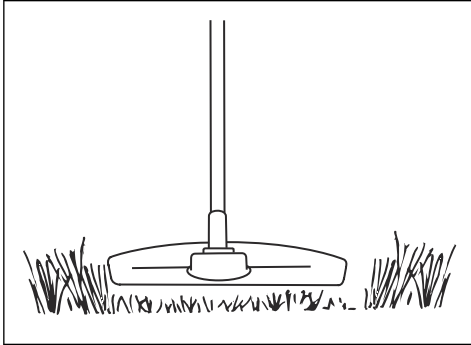
To clear grass with a grass blade

1. Grass blades and grass cutters must not be used on woody stems.
2. A grass blade is used for all types of tall or coarse grass.
3. The grass is cut down with a sideways, swinging movement, where the movement from right-to-left is the clearing stroke and the movement from left-to-right is the return stroke. Let the left-hand side of the blade (between 8 and 12 o'clock) do the cutting.
4. If the blade is angled to the left when clearing grass, the grass will collect in a line, which makes it easier to collect, e.g. by raking.
5. Try to work rhythmically. Stand firmly with your feet apart. Move forward after the return stroke and stand firmly again.

- Let the support cup rest lightly against the ground. It is used to protect the blade from hitting the ground.
- Reduce the risk of material wrapping around the blade by always work at full speed and avoid the previously cut material during the return stroke.
- Stop the motor, unclip the harness and place the machine on the ground before you start to collect the cut material.

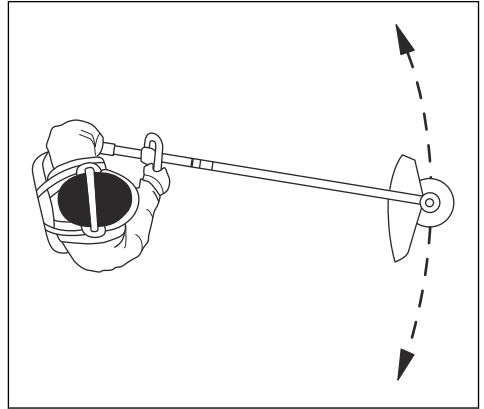
To cut the grass

- Make sure that the grass trimmer line is parallel to the ground when you cut.



- Do not push the trimmer head to the ground. The ground and the product can be damaged.
- Do not let the trimmer head touch the ground continuously, it can cause damage to the trimmer head.

- Use full speed when you move the product from side to side to cut grass.



Make sure that the grass trimmer line is parallel to the ground.

To sweep the grass

The airflow from the rotating trimmer cord can be used to remove cut grass from an area.

- Hold the trimmer head and its cord parallel to the ground and above the ground.
- Apply full speed.
- Move the trimmer head from side to side and sweep the grass.



WARNING: Clean the trimmer head cover each time you assemble new trimmer cord to prevent unbalance and vibrations in the handles. Also do a check of the other parts of the trimmer head and clean it if necessary.

Maintenance

Introduction



WARNING: Before you do any maintenance work you must read and understand the safety chapter.

Maintenance schedule



WARNING: Remove the battery before you do maintenance.

The following is a list of the maintenance steps that you must do on the product.

| Maintenance | Daily | Weekly | Monthly |
|--|-------|--------|---------|
| Clean the external parts of the product with a dry cloth. Do not use water. | X | | |
| Make sure that the cutting attachment is not damaged. Replace the cutting attachment if it is damaged. | X | | |
| Make sure that the cutting attachment guard is not damaged. Replace the cutting attachment guard if it is damaged. | X | | |

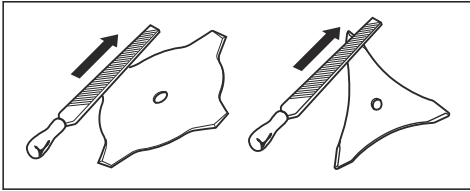
| Maintenance | Daily | Weekly | Monthly |
|---|-------|--------|---------|
| Make sure that the screws and nuts are tight. | X | | |
| Check that the bevel gear is filled three-quarters full with lubricant. Fill if necessary using special grease. | | X | |

To sharpen the grass knife and grass blade



WARNING: Stop the engine. Use protective gloves.

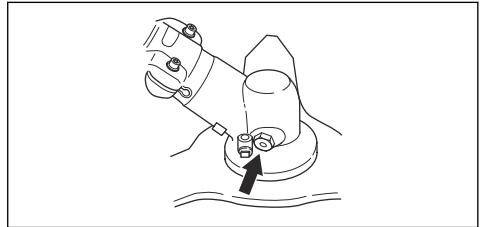
- To sharpen the grass knife or grass blade correctly, refer to the instructions that come with the cutting attachment.
- Sharpen all edges equally to keep the balance.
- Use a single-cut flat file.



WARNING: Always discard a blade that is damaged. Do not try to make a bent or twisted blade straight and use it again.

Bevel gear

The bevel gear is filled to $\frac{3}{4}$ with grease at the factory. Before use, make sure that the grease level has not changed. Use Husqvarna special grease if it is necessary to fill up. Do not change the grease in the bevel gear. Let servicing personnel do the repair of the bevel gear.



Technical data

Technical data

| | |
|---|---------|
| 325iLK + Brushcutter attachment BCA850 | |
| Motor | |
| Speed of output shaft, 1/min ¹ | 5800 |
| Weight | |
| Weight, kg | 3.7+1.6 |
| Cutting | |
| Cutting width, mm | Ø 255 |
| Noise emissions² | |

¹ Revolutions/minute

² Noise emissions in the environment measured as sound power (LWA) in conformity with EC directive 2000/14/EC. Reported sound power level for the machine has been measured with the original cutting attachment that gives the highest level. The difference between guaranteed and measured sound power is that the guaranteed sound power also includes dispersion in the measurement result and the variations between different machines of the same model according to Directive 2000/14/EC.

| | |
|---|---------|
| 325iLK + Brushcutter attachment BCA850 | |
| Sound power level, measured dB (A) | 95 |
| Sound power level, guaranteed L _{WA} dB (A) | 96 |
| Noise levels³ | |
| Equivalent sound pressure level at the operator's ear, measured according to ISO 22868, dB (A): | |
| Equipped with trimmer head (original) | 82 |
| Vibration levels⁴ | |
| Vibration levels at handles, measured according to ISO 22867, m/s ² | |
| Equipped with trimmer blade (original), left/right | 3.3/1.5 |

Accessories

Accessories

| Approved Accessories with the BCA850 attachment | Accessory type | Cutting attachment guard, art. no. |
|---|--|------------------------------------|
| Blade shaft thread M10 | | |
| Center hole in blades/cutters Ø 25.4 mm | | |
| Grass blade/Grass cutter | Grass blade 255-4, 1" (Ø 255, 4 teeth) | 588 11 79-01 |

³ Reported data for sound pressure level for the machine has a typical statistical dispersion (standard deviation) of 3 dB (A) and has been measured with the original attachment that gives the highest level.

⁴ Reported data for vibration level has a typical statistical dispersion (standard deviation) of 2 m/s². For comparison of vibrations levels, battery and combustion products use vibration calculator. <https://www.husqvarna.com/uk/services-solutions/vibration-calculator/>.

EC Declaration of Conformity

EC Declaration of conformity

Husqvarna AB, SE-561 82 Huskvarna, Sweden, tel: +46-36-146500, declares that the Brushcutter attachment Husqvarna BCA850 with serial numbers dating from 2019 onwards (the year is clearly stated on the rating plate, followed by the serial number) together with the power head 325iLK comply with the requirements of the COUNCIL'S DIRECTIVE:

- of May 17, 2006 "relating to machinery" **2006/42/EC**.
- of February 26, 2014 "relating to electromagnetic compatibility" **2014/30/EU**.
- of May 8, 2000 "relating to the noise emissions in the environment" **2000/14/EC**.
- of June 8, 2011 on the "restriction of use of certain hazardous substances in electrical and electronic equipment" **2011/65/EU**

The following standards have been applied: IEC 62841-1:2014, EN ISO 11806-1:2011, EN 50581:2012

RISE SMP Svensk Maskinprovning AB, Box 7035, SE-750 07 Uppsala, Sweden, Box 7035, SE-750 07 Uppsala, Sweden, has carried out EC type examination in accordance with the machinery directive's (2006/42/EC) article 12, point 3b. The certificate has the number:

RISE SMP Svensk Maskinprovning AB has also verified agreement with appendix V of the council's directive 2000/14/EG. The certificate has the number: 01/1610/010

For information relating to noise emissions, Refer to *Technical data on page 12*.

Huskvarna



Pär Gustafsson, Development manager (Authorized representative for Husqvarna AB and responsible for technical documentation.)

Indhold

| | | | |
|-----------------|----|------------------------------------|----|
| Indledning..... | 15 | Vedligeholdelse..... | 24 |
| Sikkerhed..... | 16 | Tekniske data..... | 25 |
| Montering..... | 20 | Tilbehør..... | 26 |
| Drift..... | 22 | EU-overensstemmelseserklæring..... | 27 |

Indledning

Produktbeskrivelse

Vi forsøger hele tiden at videreudvikle vores produkter og forbeholder os derfor ret til ændringer af bl.a. form og udseende af produkterne uden forudgående varsel.

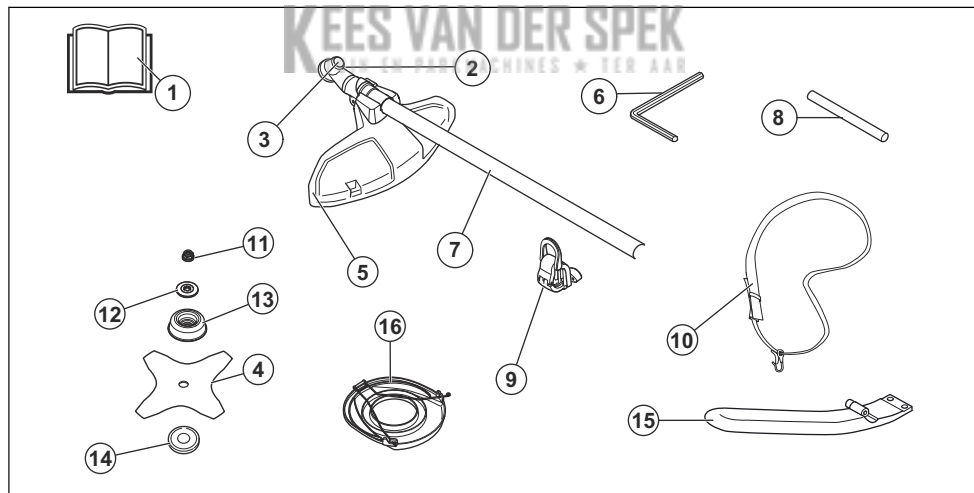
Bemærk: Denne manual dækker batteridrevne kraftenheder.

Anvendelsesformål



ADVARSEL: Dette tilbehør må kun bruges sammen med det produkt, det er beregnet

Produktoversigt



- | | |
|--------------------------------|--------------------------|
| 1. Brugsanvisning | 9. Ophængskrog på sele |
| 2. Vinkelgear | 10. Rygsæksle |
| 3. Hul til låsestift | 11. Låsemøtrik |
| 4. Græsklinge | 12. Støtteflange |
| 5. Beskyttelse til skæreudstyr | 13. Støttekop |
| 6. 4 mm unbrakonøgle | 14. Medbringerhjul |
| 7. Aksel | 15. J-håndtag |
| 8. Låsepind | 16. Transportbeskyttelse |

Symboler på produktet



ADVARSEL! Skødesløs eller forkert brug af dette produkt kan resultere i alvorlige skader eller medføre døden for brugeren eller andre.



Brug en beskyttelseshjelm på steder, hvor du kan få genstande i hovedet. Brug godkendt høreværn. Brug godkendt øjenværn.



Maksimalt omdrejningstal for udgående aksel.



Hold alle dele af kroppen på sikker afstand af varme overflader.



Produktet kan forårsage, at genstande slynges ud, hvilket forårsager personskade.



Der er risiko for kickback, hvis skæreudstyret rammer en genstand, som ikke omgående skæres over. Produktet kan afskære kropsdele. Hold en afstand på mindst 15 m/50 fod til personer og dyr under brug af produktet.



Brug godkendte beskyttelseshandsker.



Brug altid kraftige, skridsikre støvler.



Føreren skal sørge for, at ingen personer eller dyr kommer nærmere end 15 meter. Når flere førere arbejder på det samme sted, skal sikkerhedsafstanden være mindst 15 meter. Udstyret kan kaste genstande af sted med voldsom kraft, og disse genstande kan slå tilbage. Dette kan medføre alvorlige øjenskader, hvis du ikke anvender det anbefalede beskyttelsesudstyr.



Støjemissioner til omgivelserne i henhold til EF-direktiv. Tilbehørets emission fremgår af kapitlet Tekniske data og af mærkaten.

yyyywwxxxx

Typeskiltet viser serienummeret. **yyyy** er produktionsåret, **ww** er produktionssugen og **xxxx** er serienummeret.

Bemærk: Andre symboler/mærkater på produktet henviser til certificeringskrav i andre handelsområder.

Producent

Husqvarna AB
Drottninggatan 2, SE-561 82 Huskvarna, Sweden, tel:
+46-36-146500

Sikkerhed

Sikkerhedsdefinitioner

Advarsler, forholdsregler og bemærkninger bruges til at pege på særligt vigtige dele af brugsanvisningen.



ADVARSEL: Bruges, hvis føreren udsætter sig selv eller omkringstående personer for risiko for personskade eller dødsfald ved tilsidesættelse af instruktionerne i brugsanvisningen.



BEMÆRK: Bruges, hvis der er risiko for skader på produktet, andre materialer eller det omgivende område ved tilsidesættelse af instruktionerne i brugsanvisningen.

Bemærk: Bruges til at give yderligere oplysninger, der er nødvendige i en given situation.

Generelle sikkerhedsadvarsler om elværktøj



ADVARSEL: Læs alle sikkerhedsadvarsler, instruktioner, illustrationer og specifikationer, der følger med dette elværktøj. Hvis du ignorerer de nedenfor anførte instruktioner, kan det medføre elektrisk stød, brand og/eller alvorlige skader.

Bemærk: Opbevar alle advarsler og instruktioner til senere brug. Betegnelsen "elværktøj" i advarslerne henviser til dit værktøj, som drives af strøm fra

elektricitetsnettet (med ledning) eller fra batteri (ledningfrit).

Andre generelle sikkerhedsoplysninger

- Sluk produktet, før du bevæger dig til et andet område. Udtag altid batteriet, når produktet overdrages til en anden person.
- Adskil aldrig produktet, medmindre du har deaktiveret det og fjernet batteriet. Lad ikke apparatet være uden opsyn, når det er tændt.
- Skæreværktøjet stopper ikke straks, efter at produktet er slukket.
- Klingen bør stå helt stille, når udløserkontakten er vendt tilbage til udgangspositionen.
- Før brug af produktet og efter stød eller tab, skal maskinen kontrolleres for slitage og skader og om nødvendigt repareres.
- Skulle et eller andet sætte sig fast i skæreudstyret under betjening af produktet, skal du stoppe og deaktivere produktet. Sørg for, at skæreudstyret standser helt. Tag batteriet ud før rengøring, eftersyn eller reparation af produktet og/eller skæreudstyret.
- Kontrollér produktet inden brug. Se *Produktoversigt på side 15* og *Sådan kontrolleres skæreudstyrsskærmen på side 19*. Brug ikke et defekt produkt. Gennemfør sikkerhedskontrol, vedligeholdelse og service som beskrevet i denne brugsanvisning.
- Defekt skæreudstyr kan øge risikoen for ulykker.
- Kontrollér gearet for snavs og revnedannelse. Rengør gearet for græs og løv med en børste. Handsker skal benyttes, når det er nødvendigt.
- Sørg altid for, at ventilationsåbninger holdes fri for snavs.
- Kontrollér, at trimmerhovedet er sikkert påsat trimmeren.
- Alle afskærmninger, skærme og greb skal monteres, før du starter maskinen.
- Kontrollér produktet, så det er i optimal stand. Kontrollér, at alle møtrikker og bolte er spændt.
- Kontrollér, at trimmerhovedet og trimmerskærmen er intakte og fri for revner. Udskift trimmerhovedet eller trimmerskærmen, hvis de har været udsat for slag eller er revnet. Brug altid den anbefalede skærm for det pågældende skæreudstyr. Se kapitlet Tekniske data.
- Dette produkt er et farligt værktøj, hvis du ikke er forsigtig, eller hvis du bruger produktet forkert. Dette produkt kan forårsage alvorlig personskade eller død for brugeren eller andre.
- Denne enhed er ikke beregnet til at blive brugt af personer (herunder børn) med nedsatte fysiske, følelsesmæssige eller mentale evner eller mangel på erfaring og viden, medmindre de er under opsyn eller har fået træning i brug af enheden af en person, der er ansvarlig for deres sikkerhed. Børn skal være under opsyn for at sikre, at de ikke leger med enheden.
- Tillad aldrig børn at anvende eller være i nærheden af maskinen. Da maskinen er nem at starte, kan børn muligvis starte maskinen, hvis de ikke holdes under opsyn. Dette kan indebære risiko for alvorlige personskader. Tag derfor batteriet ud, når maskinen ikke er under opsyn.
- Lad ikke børn eller personer, som ikke er trænet i brugen af produktet og/eller batteriet, bruge eller udføre service på den/det.
- Nationale eller lokale bestemmelser kan regulere brugen. Overhold de gældende bestemmelser.
- Opbevar udstyret et sted, der kan aflåses, så det er utilgængeligt for børn og uvedkommende.
- Transportskærmen skal altid anvendes ved opbevaring og transport.
- Fastgør produktet under transport.
- Hold altid hænder og fødder væk fra beskæringsområdet, særligt når motoren tændes.
- Når produktet slukkes, skal du sørge for at holde hænder og fødder væk fra skæreudstyret, indtil det er standset helt.
- Fjern ikke afskåret materiale, og lad ikke andre personer fjerne afskåret materiale, mens produktet er aktiveret, eller skæreudstyret roterer, da det kan resultere i alvorlig personskade.
- Vær opmærksom på, at du som bruger af udstyret er ansvarlig for, at andre personer og deres ejendom ikke udsættes for uheld eller faremomenter.
- Produktets oprindelige udformning må under ingen omstændigheder ændres uden producentens samtykke. Brug altid originalt tilbehør. Ikke-autoriserede ændringer og/eller ikke-godkendt tilbehør kan medføre alvorlige skader eller døden for brugeren eller andre. Din garanti dækker ikke skader eller ansvar som følge af anvendelse af ikke-godkendt tilbehør eller reservedele.
- Det eneste tilbehør, du må anvende med dette produkt, er det skæreudstyr, der anbefales i kapitlet Tekniske data.
- Brug aldrig et produkt, der er blevet ændret, så det ikke længere svarer til originalmodellen
- Brug aldrig et produkt, som er behæftet med fejl. Følg instruktionerne for sikkerhedskontrol, vedligeholdelse og service i denne brugsanvisning. Visse vedligeholdelses- og serviceforanstaltninger må kun udføres af erfarne og kvalificerede specialister. Se anvisningerne under overskriften Vedligeholdelse.
- Arbejde i dårligt vejr er trættende og øger ofte risici for skader. På grund af den øgede risiko anbefales det ikke at bruge maskinen i meget dårligt vejr, f.eks. tæt tåge, kraftig regn, hård vind, kraftig kulde, risiko for lynnedslag osv.
- Arbejd aldrig på en stige, stol, palle eller fra et andet højt sted, som ikke er helt stabilt.
- Opbevar inaktive apparater indendørs - Når apparatet ikke er i brug, bør det opbevares indendørs

- Det er ikke muligt at tage højde for alle de situationer, du kan tænkes at komme ud for. Udvis derfor altid forsigtighed, og brug din sunde fornuft. Undgå situationer, som du ikke synes, du er tilstrækkeligt kvalificeret til. Hvis du stadig føler dig usikker med hensyn til fremgangsmåden, efter at du har læst disse anvisninger, skal du kontakte en ekspert, før du fortsætter.
- Sørg for, at ingen mennesker eller dyr kommer nærmere end 15 meter under arbejdet. Hvis flere brugere arbejder i det samme område, skal sikkerhedsafstanden være mindst 15 meter. Dette kan indebære risiko for alvorlige personskader. Stands øjeblikkeligt produktet, hvis nogen nærmer sig. Sving aldrig rundt med produktet uden først at kontrollere bagud, at der ikke befinder sig nogen i sikkerhedszonen.
- Skulle et eller andet sætte sig fast i skæreudstyret under betjening af produktet, skal du stoppe og deaktivere produktet. Sørg for, at skæreudstyret standser helt. Tag batteriet ud før rengøring, eftersyn eller reparation af produktet og/eller skæreudstyret.
- Sørg for, at hverken mennesker, dyr eller andet kan ikke påvirke din kontrol af produktet eller, at de ikke kan komme i kontakt med skæreudstyret eller løse genstande, som slynges væk af skæreudstyret. Brug aldrig produktet uden mulighed for at kunne tilkalde hjælp i tilfælde af en ulykke.
- Sørg for, at du kan bevæge dig og stå sikkert. Kig efter eventuelle forhindringer ved en uventet retrætte (rødder, sten, grene, huller, grøfter osv.). Vær meget forsigtig ved arbejde i skrånende terræn.
- Gå. Løb aldrig.
- Kontrollér arbejdsområdet. Fjern alle løse genstande som for eksempel sten, knust glas, søm, ståltråd, snor og lignende, som kan slynges ud eller sno sig ind i klingens eller klingskærmen.
- Pas på grenstumper, som kan slynges væk, når du skærer. Skær ikke for nær ved jorden, hvor sten eller andre løse genstande kan blive slynget op.
- Sørg for, at tøj eller kropsdele ikke kan komme i kontakt med skæreudstyret, mens produktet er aktiveret. Hold produktet under hoftehøjde.
- Pas på udslyngede genstande. Godkendt øjenværn skal altid anvendes. Læn dig aldrig ind over skæreudstyrets skærm. Sten, skidt m.m. kan blive slynget op i øjnene og forårsage blindhed eller alvorlige skader.
- Vær altid opmærksom på advarselssignaler eller tilråb, når høreværnet bruges. Tag altid høreværnet af, så snart produktet er standset.
- Hvis uønskede vibrationer forekommer, bank let en ny tråd ud for at få den korrekte længde til at stoppe vibrationerne.
- Hvis produktet begynder at vibrere unormalt, skal du standse produktet og fjerne batteriet.
- Overeksponering af vibrationer kan føre til kredsløbsforstyrrelser og skader på nervesystemet hos personer med kredsløbsforstyrrelser. Tal med din læge, hvis du får symptomer på overeksponering

af vibrationer. Eksempler på sådanne symptomer er følelseløshed, manglende følesans, kildren, stikken, smerte, manglende eller reduceret styrke i forhold til normalt, forandringer i hudens farve eller i dens overflade. Disse symptomer opstår almindeligvis i fingre, hænder og håndled.

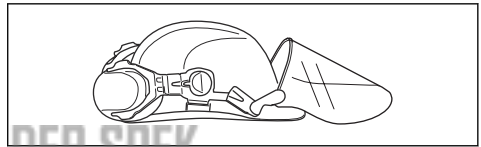
- Hold altid fast om produktet med begge hænder. Hold produktet på højre side af kroppen.

Personligt beskyttelsesudstyr

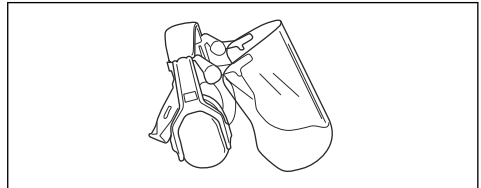


ADVARSEL: Læs følgende advarelsinstruktioner, inden du bruger produktet.

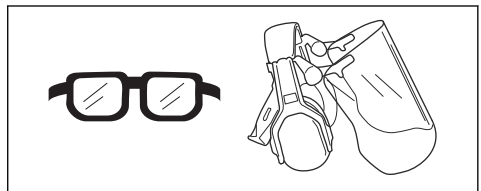
- Brug godkendt personligt beskyttelsesudstyr, når du bruger produktet. Personligt beskyttelsesudstyr udelukker ikke fuldstændigt risikoen for personskader, men det mindsker graden af skaderne i tilfælde af, at der skulle ske en ulykke. Lad forhandleren hjælpe dig med at vælge det rigtige udstyr.
- Brug en sikkerhedshjelm, hvor der er risiko for nedfaldende genstande.



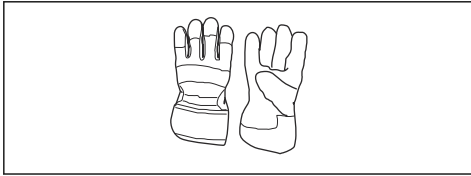
- Brug godkendt høreværn med tilstrækkelig dæmpning. Langvarig eksponering for støj kan medføre permanente høreskader.



- Brug godkendt øjenværn. Hvis du bruger et ansigtsværn, skal du også bruge godkendte beskyttelsesbriller. Godkendte beskyttelsesbriller skal være i overensstemmelse med den amerikanske standard ANSI Z87.1 eller EU-standardEN 166.



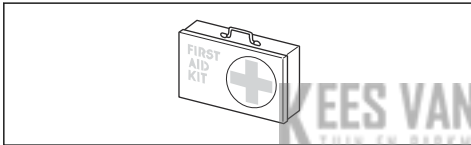
- Brug om nødvendigt beskyttelsehandsker, f.eks. ved montering, eftersyn og rengøring af skæreudstyret.



- Brug skridsikre og stabile støvler.



- Brug beklædning, der er lavet af et stærkt materiale. Brug altid kraftige lange bukser og lange ærmer. Brug ikke løstsiddende tøj, som kan sætte sig fast i buske og grene. Undgå smykker, shorts og sandaler, og gå ikke barfodet. Sæt håret op i en sikker højde, dvs. over skulderen.
- Sørg for at have førstehjælpsudstyr ved hånden.



Sikkerhedsanordninger på produktet



ADVARSEL: Læs følgende advarselsinstruktioner, inden du bruger produktet.

I dette afsnit forklares mere om produktets sikkerhedsfunktioner og deres formål, samt hvordan kontrol og vedligeholdelse skal udføres for at sikre, at de fungerer. Se anvisningerne i afsnittet *Indledning på side 15* for at se, hvor disse dele sidder på produktet.

Produktets levetid kan forkortes og risikoen for ulykker kan øges, hvis vedligeholdelsen ikke udføres korrekt, og hvis service og/eller reparation ikke udføres fagligt korrekt. Kontakt det nærmeste serviceværksted for at få yderligere oplysninger.



ADVARSEL: Brug aldrig et produkt med defekt sikkerhedsudstyr. Produktets sikkerhedsudstyr skal kontrolleres og vedligeholdes som beskrevet i dette afsnit. Klarer produktet ikke alle kontrollerne, skal du kontakte et serviceværksted for at få den repareret.



BEMÆRK: Al service og reparation af maskinen kræver specialuddannelse. Dette gælder især produktets sikkerhedsudstyr. Hvis maskinen ikke klarer nogen af de nedennævnte kontroller, skal du kontakte dit serviceværksted. Ved at købe nogle af vores produkter kan du være sikker på at få en faglig korrekt reparation og service. Hvis maskinen er købt et sted, som ikke er en af vores serviceydende forhandlere, skal du spørge dem efter det nærmeste serviceværksted.

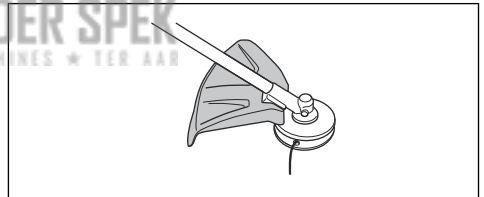
Sådan kontrolleres skæreudstyrsskærmen



ADVARSEL: Brug ikke skæreudstyret uden en godkendt og korrekt monteret skæreudstyrsskærm. Brug altid den anbefalede beskyttelse til det skæreudstyr, du bruger, se *Tilbehør på side 26*. Hvis der monteres forkert eller defekt beskyttelse, kan det forårsage alvorlige personskader.

Skæreudstyrsskærmen standser genstande, som udkastes i retning af brugeren. Den forhindrer også skader, som kunne opstå, hvis du berører skæreudstyret.

1. Stop motoren.
2. Se efter skader, f.eks. revner.



3. Udskift skæreudstyrsskærmen, hvis den er beskadiget.

Sikkerhedsinstruktioner til montering



ADVARSEL: Læs, forstå og overhold disse instruktioner nøje før brug af produktet.

- Fjern batteriet fra produktet, før du samler produktet.
- Brug godkendte beskyttelseshandsker.
- En fejlbehæftet eller forkert skærm kan forårsage personskade. Brug ikke skæreudstyr, hvor der ikke er monteret godkendt skærm.
- Sørg for at samle dækslet og akslen korrekt før start af produktet.
- Medbringerhjulet og støtteflangen skal indkobles korrekt i skæreudstyrets midterste hul. Skæreudstyr, som er forkert monteret, kan forårsage personskade eller dødsfald.

- For at betjene produktet sikkert og forhindre personskade hos brugeren og andre personer skal produktet altid være korrekt fastgjort til ledningsnettet.

Sikkerhedsinstruktioner for vedligeholdelse



ADVARSEL: Læs følgende advarselsinstruktioner, inden du udfører vedligeholdelse på produktet.

- Fjern batteriet, inden du udfører vedligeholdelse, anden kontrol eller samler produktet.
- Brugeren må kun udføre den form for vedligeholdelses- og servicearbejde, der beskrives i

denne brugervejledning. Kontakt en servicetekniker i forbindelse med større vedligeholdelses- og serviceopgaver.

- Batteriet eller batteriopladeren må aldrig rengøres med vand. Stærke opløsningsmidler kan beskadige plasten.
- Hvis du ikke udfører vedligeholdelse, reduceres levetiden for produktet og risikoen for ulykker øges.
- Der kræves særlig uddannelse til al service og reparation, især for sikkerhedsanordninger på produktet. Hvis ikke alle kontroller i denne brugsanvisning er godkendt, efter du har udført vedligeholdelse, skal du kontakte din servicetekniker. Vi garanterer, at der er professionelle reparationer og vedligeholdelse til rådighed for dit produkt.

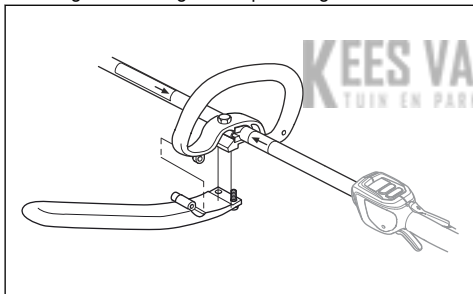
Montering

Sådan samles J-håndtaget

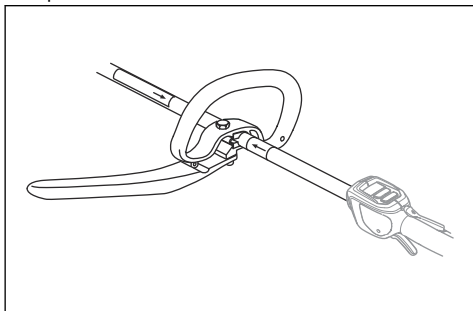


ADVARSEL: J-håndtaget skal fastgøres til loophåndtaget hvis du planlægger at bruge produktet med noget af det anbefalede metalkæreudstyr.

1. Fastgør J-håndtaget til loophåndtaget med 3 skruer.

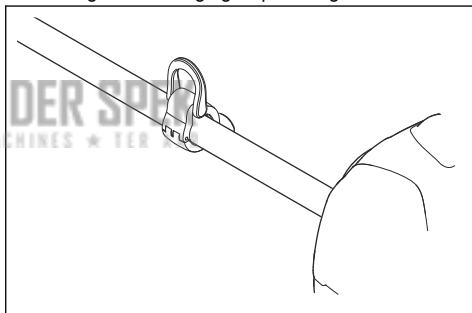


2. Juster produktet til en komfortabel position.
3. Spænd skruerne.



Sådan monteres seleophængningskrogen, hvis det er relevant

1. Monter seleophængningskrogen mellem pilene på det bageste håndtag og loophåndtaget.



Bemærk: Placer ikke loophåndtaget på mærkaten.

2. Juster ringen for at gøre produktet afbalanceret og nemt at bruge.

Sådan monteres skæreudstyret

Skæreudstyret omfatter en form for skæreudstyr og en skæreudstyrsskærm.



ADVARSEL: Bær altid beskyttelseshandsker.



ADVARSEL: Brug altid den skæreudstyrsskærm, der anbefales til skæreudstyret. Se *Tekniske data på side 25*.

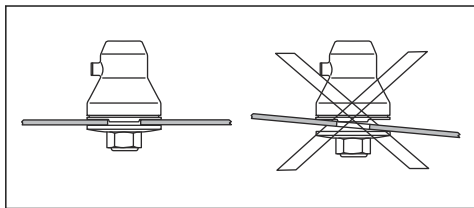


ADVARSEL: Forkert monteret skæreudstyr kan medføre personskade eller død.

Montering af klinger



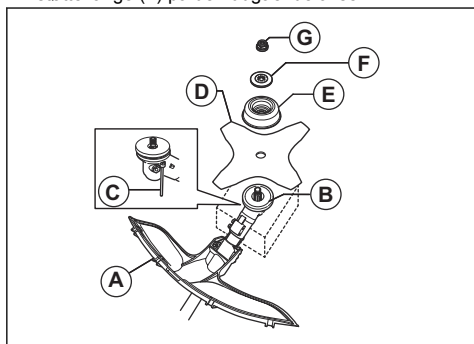
ADVARSEL: Ved montering af skæreudstyr er det meget vigtigt, at medbringerens/støtteflangens styr placeres korrekt i skæreudstyrets midterste hul. Forkert monteret skæreudstyr kan medføre alvorlige og/eller livsfarlige personskader.



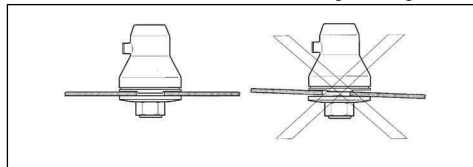
ADVARSEL: Intet skæreudstyr må under nogen omstændigheder bruges, uden at en godkendt beskyttelse er monteret. Se kapitlet Tekniske data. Hvis en forkert eller defekt beskyttelse monteres, eller hvis J-håndtaget mangler, når du bruger metallisk skæreudstyr, kan det forårsage alvorlig personskade.

Sådan monteres græsklingen

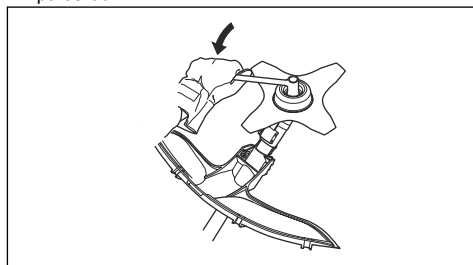
1. Placer produktets gear på en plan overflade for at sikre, at klingens er monteret korrekt.
2. Drej den udgående aksel rundt for at afstemme et af hullerne i medbringerhjulet (B) med det tilsvarende hul i gearhuset.
3. Sæt låsepinden (C) ind i hullet, så akslen låses.
4. Sæt græsklingen (D), støttekoppen (E) og støtteflange (F) på den udgående aksel.



5. Sørg for, at medbringerhjulet og støtteflangen indklobes korrekt i hullet i midten af græsklingen.

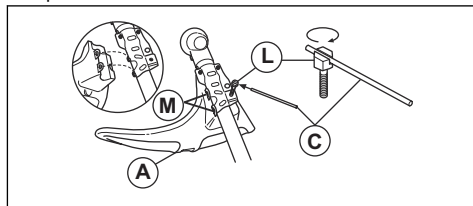


6. Påsæt møtrikken (G).
7. Spænd møtrikken med topnøglen. Hold fast i topnøglen's skaft i nærheden af klingskærmen. Spænd i den modsatte retning af skæreudstyrets rotationsretning. Spænd til et tilspændingsmoment på 35-50 Nm.



Sådan monteres trimmerbeskyttelse til et trimmerhoved

1. Hægt trimmerbeskyttelsen (A) på de to kroge på pladeholderen (M).
2. Fold skærmen omkring akslen og fastgør den med bolt (L) på den modsatte side af akslen.
3. Læg låsepinden (C) ind i rillen på bolthovedet og spænd bolt (L) helt.



Græsklinge

- Brug klinger, som er korrekt filet. En forkert filet eller beskadiget klinge øger risikoen for personskade.
- Brug korrekt indstillede klinger. Den korrekte klingeindstilling er 1 mm. En forkert klingeindstilling øger risikoen for tilskadekomst og beskadigelse.
- Klingens files og indstilles korrekt ved at følge de anvisninger, som klingens leveres sammen med.

Sådan balanceres produktet



ADVARSEL: Anvend altid selen ved betjening af produktet. Selen giver maksimal kontrol over produktet og reducerer risikoen for at blive træet i arme og ryg.

- Tag selen på.
- Tilslut produktets ophængskrog til selen, og hold skæreudstyret parallelt med jorden.

- Produktet har den rigtige balance, når klingens er i klippehøjde tæt på jorden.



Drift

Indledning



ADVARSEL: Læs og forstå kapitlet om sikkerhed, før du bruger produktet.

Sådan justeres selen



ADVARSEL: Fastgør altid produktet korrekt til selen. Hvis ikke, kan du ikke styre produktet sikkert, hvilket kan forårsage skade på dig selv eller andre. Brug ikke en sele med defekt snapudløsning.



ADVARSEL: Hvis der opstår en nødsituation, skal du give slip på selen og produktet, og lade dem falde ned på jorden.

1. Tag selen på.
2. Juster selen for at opnå den bedste arbejdsstilling.
3. Juster selen, indtil skæreudstyret løber parallelt med jorden.



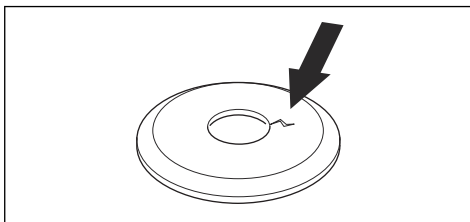
4. Hvis arbejdsopgaven går ud på at klippe græs, så skal man lade skæreudstyret hvile let mod underlaget. Juster selebeslaget, så produktet er korrekt afbalanceret.

Arbejdsstilling

- Hold produktet med begge hænder.
- Hold produktet på højre side af kroppen.
- Hold skæreudstyret under taljehøjde.
- Hold kropsdele væk fra varme flader.
- Hold kropsdele væk fra skæreudstyret.

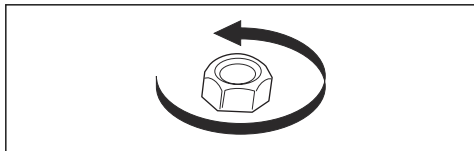
Før du bruger produktet

- Undersøg arbejdsområdet for at sikre, at du kender terrænet, at du ved, om jorden skråner, og om der er forhindringer, f.eks. sten, grene og grøfter.
- Efterse produktet omhyggeligt.
- Udfør alle sikkerhedseftersyn samt service og vedligeholdelse, som fremgår af denne instruktionsbog.
- Sørg for, at alle afskærmninger, skærme, håndtag og skæreudstyr er korrekt monteret og intakte.
- Sørg for, at der ikke er revner i bunden af græsklingens tænder eller ved hullet i midten af klingens. Udskift klingens, hvis den er beskadiget.
- Undersøg støtteflangen for revner. Udskift støtteflangen, hvis den er beskadiget.

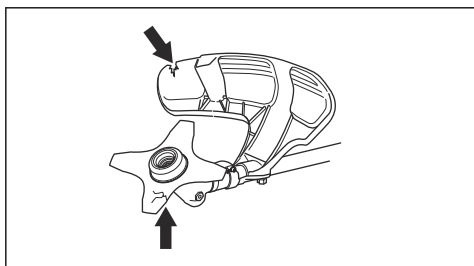


- Sørg for, at låsemøtrikken ikke kan fjernes med hånden. Hvis du kan fjerne den med hånden,

fastlåses skæreudstyret ikke tilstrækkeligt, og den skal derfor udskiftes.



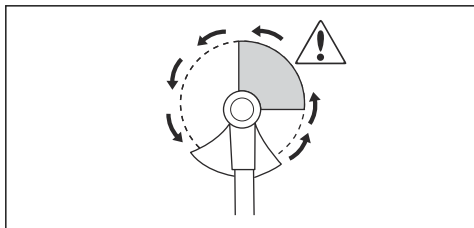
- Eftersø klingebeskyttelsen for skader og revner. Udskift klingskærmen, hvis den er blevet ramt eller er revnet.
- Undersøg trimmerhovedet og skæreudstyrsskærmen for skader og revner. Udskift trimmerhovedet og skæreudstyrsskærmen, hvis de er blevet ramt eller er revnet.



Kickback



ADVARSEL: Kickback er, når produktet bevæger sig hurtigt til siden med stor kraft. Kickback opstår, når græsklingen rammer eller fanger en genstand, der ikke kan skæres. Kickback kan kaste produktet eller brugeren i alle retninger. Der er risiko for personskade hos brugeren og andre personer. Risikoen øges i områder, hvor det ikke er let at se det materiale, der skal beskæres. Undlad at skære med det område af klingens hastighed og bevægelse kan forårsage kickback. Risikoen øges, jo tykkere de stængler, der skæres i, er.

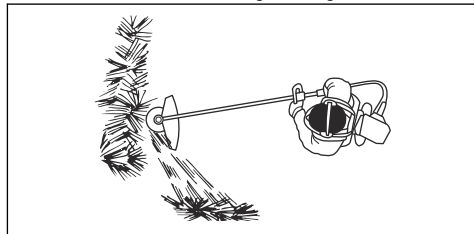


Græsrydning med en græsklinge



BEMÆRK: Brug ikke græsklinger og græsknive til træ. Brug altid kun græsklinger og græsknive til langt eller kraftigt græs.

- Flyt produktet fra side til side.
- Start bevægelsen fra højre mod venstre, når du skærer. Flyt produktet til højre side, inden du skærer igen.
- Skær med venstre side af græsklingen.



- Vip græsklingen mod venstre, så græsset falder på række. Det gør det let at opsamle græsset.
- Hold en stabil stilling med fødderne let spredt.
- Bevæg dig fremad efter hver bevægelse mod højre, og sørg for at have en stabil stilling, inden du skærer igen.
- Hold støttekoppen mod jorden med et let tryk for at sikre, at græsklingen ikke rammer jorden.
- Følg disse instruktioner for at reducere risikoen for, at afskåret materiale vikler sig om græsklingen:
 - a) Giv fuld gas.
 - b) Før ikke græsklingen gennem afskåret materiale, når du flytter produktet fra venstre side til højre side.
- Stands motoren og tag produktet ud af selen, før du samler det afskårne materiale op. Læg produktet på jorden på siden.

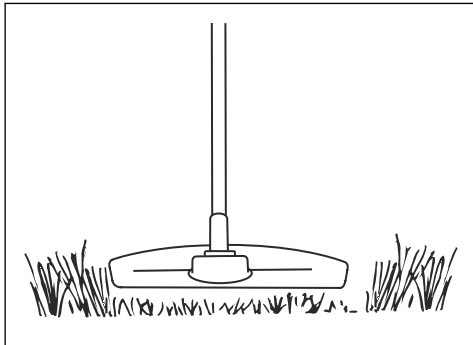
Sådan ryddes græs med en græsklinge

1. Græsklinger og græsknive må ikke anvendes til træagtige stilke.
2. Til alle former for højt eller kraftigt græs anvendes en græsklinge.
3. Græs mejes ned fra side til side, hvor bevægelsen fra højre mod venstre kaldes rydningslaget, og bevægelsen fra venstre mod højre kaldes returslaget. Lad klingens venstre side (placeret mellem klokken 8 og 12) udføre skærearbejdet.
4. Hvis klingens vippe lidt mod venstre under græsrydning, samles græsset i en stribe, som gør opsamlingsarbejdet lettere, f.eks. med en rive.
5. Sørg for at arbejde rytmisk. Stå stabilt med fødderne let spredte. Ryk fremad efter returslaget, og stil dig igen stabilt.
6. Lad støttekoppen hvile let mod jorden. Den bruges til at beskytte klingens mod belægning af jord.

- Nedsæt risikoen for, at materiale vikler sig rundt om klingen ved altid at arbejde med fuld hastighed og undgå tidligere afskåret materiale under returslaget.
- Stand motoren, løs selen, og placer maskinen på jorden, inden du opsamlar det afskårne materiale.

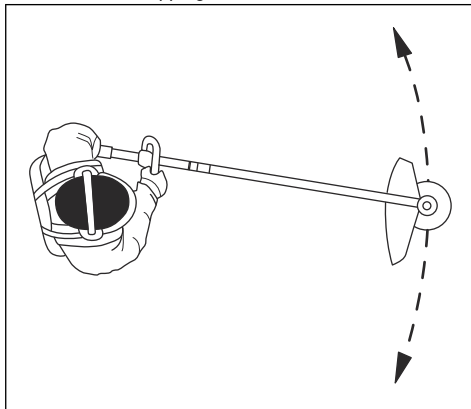
Sådan klippes græsset

- Sørg for, at græstrimmertråden er parallel med underlaget, når du klipper.



- Skub ikke trimmerhovedet ned mod jorden. Jorden og produktet kan blive beskadiget.
- Lad ikke trimmerhovedet røre jorden konstant, da det kan beskadige trimmerhovedet.

- Brug fuld hastighed, når du flytter produktet fra side til side for at klippe græs.



Sørg for, at græstrimmertråden er parallelt med jorden.

Sådan fejes græsset

Luftstrømmen fra den roterende trimmerline kan bruges til at fjerne det afskårne græs fra et område.

- Hold trimmerhovedet og linen parallelt med jorden og over jorden.
- Kør med fuld hastighed.
- Flyt trimmerhovedet fra side til side og fej græsset.



ADVARSEL: Rens trimmerhovedets dæksel, hver gang du monterer en ny trimmerline for at undgå uligevægt og vibrationer i håndtagene. Efterse også regelmæssigt andre dele af trimmerhovedet, og rens dem om nødvendigt.

Vedligeholdelse

Indledning



ADVARSEL: Inden du udfører vedligeholdelsesarbejde, skal du læse og forstå kapitlet om sikkerhed.

Vedligeholdelsesskema



ADVARSEL: Fjern batteriet, før du udfører vedligeholdelse.

Nedenfor vises en oversigt over det vedligeholdelsesarbejde, der skal udføres på produktet.

| Vedligeholdelse | Hver dag | Ugentligt | Månedligt |
|--|----------|-----------|-----------|
| Rengør produktets yvendige overflade med en tør klud. Brug ikke vand. | X | | |
| Sørg for, at skæreudstyret ikke er beskadiget. Udskift skæreudstyret, hvis det er beskadiget. | X | | |
| Sørg for, at skæreudstyrskærmen er intakt. Udskift skæreudstyrskærmen, hvis den er beskadiget. | X | | |

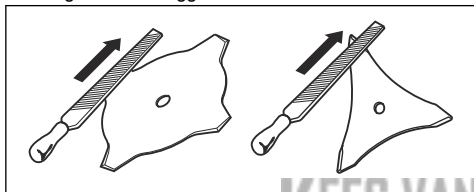
| Vedligeholdelse | Hver dag | Ugentligt | Månedligt |
|---|----------|-----------|-----------|
| Sørg for, at skruer og møtrikker er spændt. | X | | |
| Kontrollér, at vinkelgearet er fyldt 3/4 op med smøremiddel. Fyld specialfedt på om nødvendigt. | | X | |

Sådan skærpes græsklingen og græskniven



ADVARSEL: Stop motoren. Bær altid beskyttelseshandsker.

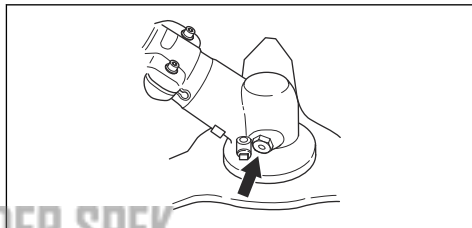
- Se de instruktionerne, som fulgte med skæreudstyret, vedrørende korrekt skærping af græsklinge og græskniv.
- Skærp alle kanter lige meget for at bevare en balance.
- Brug en enkelthugget fladfil.



ADVARSEL: Kassér altid klinger, som er beskadiget. Prøv ikke at rette bøjede eller snoede klinger ud og bruge dem igen.

Vinkelgear

Fabrikken fylder vinkelgearet $\frac{3}{4}$ op med fedt. Før brug skal det sikres, at fedtniveauet ikke har ændret sig. Brug specialfedt fra Husqvarna, hvis det er nødvendigt med en opfyldning. Du må ikke skifte fedtet i vinkelgearet. Lad serviceværkstedet udføre alle reparationer på vinkelgearet.



Tekniske data

Tekniske data

| 325ILK + Buskryddertilbehør BCA850 | |
|---|-------|
| Motor | |
| Omdrejningstal på udgående akse, 1/min ⁵ | 5800 |
| Vægt | |
| Vægt, kg | 3,7 |
| Plæneklipning | |
| Klippebredde, mm | Ø 255 |
| Støjemissioner⁶ | |
| Lydeffektniveau, målt dB (A) | 95 |

⁵ Omdr./min.

⁶ Emission af støj til omgivelserne målt som lydeffekt (LWA) i henhold til Rådets direktiv 2000/14/EF. Rappor- teret lydeffektniveau for maskinen er målt med det originale skæreudstyr, der giver det højeste niveau. For- skellen mellem garanteret og målt lydeffekt er, at den garanterede lydeffekt også omfatter spredning i målere- sultatet og variationerne mellem forskellige maskiner af samme model i henhold til direktivet 2000/14/EF.

| | |
|---|---------|
| 325iLK + Buskryddertilbehør BCA850 | |
| Lydeffektniveau, garanteret $L_{WA}dB$ (A) | 96 |
| Støjniveauer⁷ | |
| Ækvivalent lydtryksniveau ved brugerens ører målt i henhold til ISO 22868, dB(A): | |
| Udstyret med trimmerhoved (original) | 82 |
| Vibrationsniveauer⁸ | |
| Vibrationsniveauer i håndtag målt i henhold til ISO 22867, m/s^2 : | |
| Udstyret med trimmerklinge (original), venstre/højre | 3,3/1,5 |

Tilbehør

Tilbehør

| Godkendt tilbehør med BCA850-tilbehør | Tilbehørstype | Skæreudstyrsskærm, reservedelsnr. |
|--|--|-----------------------------------|
| Klingeaksel med gevind M10 | | |
| Midterste hul i klinger/knive, Ø 25,4 mm | | |
| Græsklinge/græskniv | Græsklinge 255-4, 1" (Ø 255, 4 tænder) | 588 11 79-01 |

⁷ Rapporterede data for maskinens lydtryksniveau har en typisk statistisk spredning (standardafvigelse) på 3 dB (A) og er blevet målt med det originale udstyr, der giver det højeste niveau.

⁸ Rapporterede data for vibrationsniveau har en typisk statistisk spredning (standardafvigelse) på 2 m/s^2 . Til sammenligning af vibrationsniveauer mellem batteri- og benzindrevne produkter skal du anvende vibrationsberegneren. <https://www.husqvarna.com/uk/services-solutions/vibration-calculator/>.

EU-overensstemmelseserklæring

EU-overensstemmelseserklæring

Husqvarna AB, SE-561 82 Huskvarna, Sweden, tel: +46-36-146500, erklærer, at buskrydderen Husqvarna BCA850 med serienumre fra 2019 og fremefter (året er tydeligt angivet på typeskiltet, efterfulgt af serienummeret) sammen med strømhovedet 325iLK opfylder forskrifterne i RÅDETS DIREKTIV:

- af den 17. maj 2006 "angående maskiner" **2006/42/EF**.
- af den 26. februar 2014 "angående elektromagnetisk kompatibilitet" **2014/30/EU**.
- af den 8. maj 2000 "angående emission af støj til omgivelserne" **2000/14/EF**.
- af den 8. juni 2011 om "begrænsning af anvendelsen af visse farlige stoffer i elektrisk og elektronisk udstyr" **2011/65/EU**

Der er anvendt følgende standarder: IEC 62841-1:2014, EN ISO 11806-1:2011, EN 50581:2012

RISE SMP Svensk Maskinprovning AB, Box 7035, SE-750 07 Uppsala, Sweden, Box 7035, SE-750 07 Uppsala, Sweden, har foretaget en EF-typegodkendelse i henhold til maskindirektivets (2006/42/EF) artikel 12, pkt. 3b. Certifikatet har nummer:

RISE SMP Svensk Maskinprovning AB har også bekræftet overensstemmelse med Bilag V til Rådets direktiv 2000/14/EF. Certifikatet har nummer: 01/1610/010

RISE SMP
RISER VAN DER SPEK
RISE SMP EN PARKMACHINES * TER AAR

Se *Tekniske data på side 25* vedr. oplysninger om støjemission.

Huskvarna



Pär Gustafsson, udviklingschef (autoriseret repræsentant for Husqvarna AB og ansvarlig for teknisk dokumentation)

Inhalt

| | | | |
|-----------------|----|-------------------------------|----|
| Einleitung..... | 28 | Wartung..... | 39 |
| Sicherheit..... | 29 | Technische Angaben..... | 40 |
| Montage..... | 34 | Zubehör..... | 41 |
| Betrieb..... | 36 | EG-Konformitätserklärung..... | 42 |

Einleitung

Produktbeschreibung

Wir arbeiten ständig an der Weiterentwicklung unserer Geräte und behalten uns daher das Recht auf Änderungen ohne vorherige Ankündigung, z. B. von Form und Aussehen, vor.

Hinweis: Diese Betriebsanleitung gilt für akkubetriebene Antriebsaggregate.

Verwendungszweck



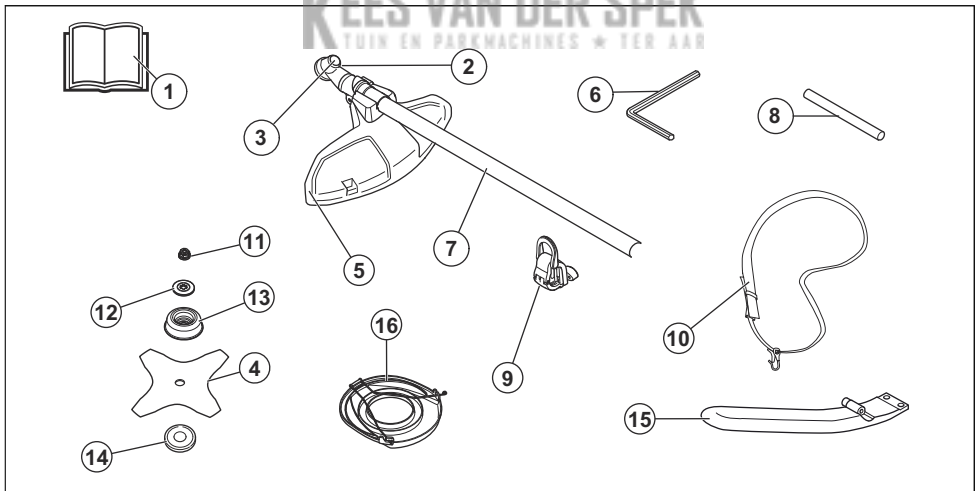
WARNUNG: Dieses Anbaugerät darf nur zusammen mit dem vorgesehenen Gerät

verwendet werden. Siehe Kapitel „Anbaugeräte“ in der Bedienungsanleitung des Geräts.

Es handelt sich um eine Motorsense zum Schneiden verschiedener Arten von Vegetation. Verwenden Sie das Gerät nicht für andere Zwecke als Grastrimmen und Grasfreischneiden. Verwenden Sie zum Schneiden von Gras eine Grasklinge.

Hinweis: Nationale oder regionale Bestimmungen regeln ggf. die Verwendung. Beachten Sie die jeweils gültigen Bestimmungen.

Geräteübersicht



- | | |
|-------------------------------------|----------------------------|
| 1. Bedienungsanleitung | 8. Sperrstift |
| 2. Winkelgetriebe | 9. Aufhängehaken Tragegurt |
| 3. Loch für Sperrstift | 10. Tragegurt |
| 4. Grasklinge | 11. Kontermutter |
| 5. Schutz für die Schneidausrüstung | 12. Stützflansch |
| 6. Inbusschlüssel 4 mm | 13. Stützkappe |
| 7. Führungsrohr | 14. Mitnehmerrad |

Symbole auf dem Gerät



WARNUNG! Durch unsachgemäße oder nachlässige Handhabung dieses Anbaugeräts können schwere Verletzungen oder sogar tödliche Unfälle von Anwendern oder anderen Personen verursacht werden.



Tragen Sie dort, wo Gegenstände auf Sie fallen können, einen Schutzhelm. Tragen Sie einen zugelassenen Gehörschutz. Tragen Sie einen zugelassenen Augenschutz.



Maximale Drehzahl der Abtriebswelle.



Halten Sie alle Körperteile von heißen Oberflächen fern.



Das Gerät kann Objekte umherschleudern und Verletzungen verursachen.



Falls die Schneidaustrüstung auf einen Gegenstand trifft, der nicht sofort geschnitten wird, besteht die Gefahr eines Klängenstoßes. Das Gerät kann Körperteile abtrennen. Halten Sie während des Betriebs des Geräts einen Mindestabstand von 15 m/ 50 ft zu Personen oder Tieren ein.



Tragen Sie zugelassene Schutzhandschuhe.



Tragen Sie robuste und rutschfeste Stiefel.



Der Bediener hat dafür zu Sorge zu tragen, dass Menschen und Tiere einen Abstand von mindestens 15 m einhalten. Wenn mehrere Bediener im selben Nahbereich arbeiten, muss der Sicherheitsabstand mindestens 15 m betragen. Das Anbaugerät kann Gegenstände mit großer Kraft herausschleudern, die zurückprallen können. Dies kann zu schweren Augenverletzungen führen, wenn die empfohlene Schutzausrüstung nicht getragen wird.



Umweltbelastende Geräuschemissionen gemäß der Richtlinie der Europäischen Gemeinschaft. Die Emissionswerte des Anbaugeräts sind im Abschnitt „Technische Daten“ und auf dem Geräteschild angegeben.

yyyywwxxxx

Auf dem Typenschild ist die Seriennummer angegeben. **yyyy** ist das Produktionsjahr, **ww** die Produktionswoche und **xxxx** die fortlaufende Nummer.

Hinweis: Weitere Symbole/Aufkleber auf dem Gerät beziehen sich auf die Zertifizierungsanforderungen für andere kommerzielle Bereiche.

Hersteller

Husqvarna AB

Drottningatan 2, SE-561 82 Huskvarna, Sweden, tel: +46-36-146500

Sicherheit

Sicherheitsdefinitionen

Warnungen, Vorsichtsmaßnahmen und Hinweise werden verwendet, um auf besonders wichtige Teile der Bedienungsanleitung hinzuweisen.



WARNUNG: Wird verwendet, wenn bei Nichtbeachtung der Anweisungen in diesem Handbuch die Gefahr von Verletzung oder Tod des Bedieners oder anderer Personen besteht.



ACHTUNG: Wird verwendet, wenn bei Nichtbeachtung der Anweisungen in diesem Handbuch die Gefahr von Schäden am Gerät, an anderen Materialien oder in der Umgebung besteht.

Hinweis: Für weitere Informationen, die in bestimmten Situationen nötig sind.

Allgemeine Sicherheitshinweise für elektrisch betriebene Werkzeuge



WARNUNG: Lesen Sie alle für dieses Elektrowerkzeug vorgesehenen Sicherheitshinweise, Anleitungen, Abbildungen und technischen Daten. Wenn Sie die unten stehenden Anweisungen nicht befolgen, kann dies zu elektrischen Schlägen, Brand und/oder schweren Verletzungen führen.

Hinweis: Bewahren Sie alle Warnhinweise und Anweisungen für spätere Referenzzwecke auf. Der Begriff „Elektrowerkzeug“ in den Warnhinweisen bezieht sich auf ein Elektrowerkzeug mit Netzbetrieb (über ein Kabel) oder mit Akkubetrieb (kabellos).

Andere allgemeine Sicherheitsinformationen

- Schalten Sie das Gerät aus, bevor Sie sich in einen anderen Bereich begeben. Für die Übergabe des Geräts an eine andere Person muss der Akku entnommen werden.
- Legen Sie das Gerät nur dann ab, wenn Sie es ausgeschaltet und den Akku entfernt haben. Lassen Sie das Gerät nicht unbeaufsichtigt, wenn es eingeschaltet ist.
- Wird das Gerät ausgeschaltet, läuft das Schneidwerkzeug noch etwas nach.
- Die Klinge sollte komplett angehalten haben, sobald der Einschalter sich wieder in der Ausgangsposition befindet.
- Vor Gebrauch des Geräts und nach jedem Zusammenstoß muss das Gerät auf Anzeichen von Verschleiß oder Schäden überprüft und ggf. repariert werden.
- Wenn während der Arbeit mit dem Gerät irgendetwas in der Schneidausrüstung hängen bleibt, halten Sie das Gerät an, und schalten Sie es aus. Stellen Sie sicher, dass die Schneidausrüstung vollständig stoppt. Entfernen Sie den Akku, bevor Sie das Gerät und/oder die Schneidausrüstung reinigen, überprüfen oder reparieren.
- Überprüfen Sie das Gerät vor dem Gebrauch. Siehe *Geräteübersicht auf Seite 28* und *So prüfen Sie die Schutzvorrichtung der Schneidausrüstung auf Seite 33*. Verwenden Sie das Gerät nicht, wenn es defekt ist. Führen Sie die in dieser Bedienungsanweisung beschriebenen Kontroll-, Wartungs- und Serviceanweisungen durch.
- Eine falsche Schneidausrüstung kann die Unfallgefahr erhöhen.
- Prüfen Sie das Getriebe auf Verschmutzungen und Risse. Entfernen Sie Gras und Blätter mit Hilfe einer Bürste aus dem Getriebe. Handschuhe sind dann zu tragen, wenn dies notwendig ist.
- Stellen Sie sicher, dass die Lüftungsöffnungen stets frei von Schmutz sind.
- Prüfen Sie, ob der Trimmerkopf fest am Trimmer angebracht ist.
- Vor dem Start müssen sämtliche Abdeckungen, Schutzvorrichtungen und Griffe angebracht sein.
- Prüfen Sie, ob sich das Gerät in einwandfreiem Arbeitszustand befindet. Prüfen Sie, ob alle Muttern und Schrauben angezogen sind.
- Überprüfen Sie Trimmerkopf und Trimmerschutz auf Schäden und Risse. Wenn Trimmerkopf oder Trimmerschutz Risse haben oder Schlägen ausgesetzt gewesen sind, müssen sie ausgetauscht werden. Verwenden Sie stets den empfohlenen Schutz für die jeweilige Schneidausrüstung. Siehe Kapitel Technische Daten.
- Dieses Gerät ist ein gefährliches Werkzeug, wenn Sie nicht aufpassen oder es unsachgemäß verwenden. Dieses Gerät kann schwere oder tödliche Verletzungen des Bedieners oder anderer Personen verursachen.
- Der Gebrauch des Geräts durch Personen (einschließlich Kindern), die über eingeschränkte körperliche, sensorische oder geistige Fähigkeiten verfügen oder denen es an der erforderlichen Erfahrung und Kenntnissen mangelt, ist untersagt, sofern sie nicht von einer für ihre Sicherheit verantwortlichen Person bei der Arbeit überwacht und im Gebrauch des Geräts zuvor geschult wurden. Lassen Sie keine Kinder mit dem Gerät spielen. Das Gerät ist kein Spielzeug!
- Erlauben Sie niemals Kindern, das Gerät zu benutzen oder sich in seiner Nähe aufzuhalten. Da das Gerät leicht zu starten ist, könnten auch Kinder bei unzureichender Aufsicht in der Lage sein, es zu starten. Dies kann zu schweren Verletzungen führen. Entfernen Sie daher stets den Akku, wenn das Gerät unbeaufsichtigt ist.
- Kinder oder nicht im Gebrauch des Geräts und/oder des Akkus geschulte Personen dürfen das Gerät bzw. den Akku weder bedienen noch warten.
- Nationale oder regionale Bestimmungen regeln ggf. die Verwendung. Beachten Sie die jeweils gültigen Bestimmungen.
- Lagern Sie die Ausrüstung in einem verschleißbaren Raum, sodass sie für Kinder und Unbefugte unzugänglich ist.
- Verwenden Sie für die Lagerung und den Transport stets einen Transportschutz.
- Sichern Sie das Gerät während des Transports.
- Halten Sie Hände und Füße stets vom Schnittbereich fern. Dies gilt insbesondere während des Motorstarts.
- Halten Sie Hände und Füße nach Abschalten von der Schneidausrüstung fern, bis diese vollständig stillsteht.
- Sie dürfen das geschnittene Material nicht selbst entfernen oder von anderen Personen entfernen lassen, wenn das Gerät noch aktiviert ist oder die Schneidausrüstung sich dreht, weil dies zu schweren Verletzungen führen kann.

- Denken Sie stets daran, dass Sie als Bediener für eventuell entstehende Sach- und Personenschäden verantwortlich sind.
- Unter keinen Umständen darf die ursprüngliche Konstruktion des Gerätes ohne Genehmigung des Herstellers geändert werden. Verwenden Sie stets Originalzubehör. Unzulässige Änderungen und/oder unzulässiges Zubehör können zu schweren oder sogar tödlichen Verletzungen des Bedieners oder anderer Personen führen. Möglicherweise deckt Ihre Gewährleistung keine Schäden, die durch die Verwendung von nicht zulässigem Zubehör oder nicht zulässigen Ersatzteilen verursacht werden, bzw. keine diesbezügliche Haftung ab.
- Das einzige Zubehör, mit dem dieses Gerät verwendet werden darf, ist die Schneidausrüstung, die im Kapitel „Technische Daten“ empfohlen wird.
- Arbeiten Sie niemals mit einem Gerät, das ohne Zustimmung des Herstellers modifiziert wurde und nicht mehr mit der Originalausführung übereinstimmt
- Arbeiten Sie niemals mit einem defekten Gerät. Befolgen Sie die Kontroll-, Wartungs- und Serviceanweisungen in dieser Betriebsanleitung. Gewisse Wartungs- und Servicemaßnahmen sind von geschulten, qualifizierten Fachleuten auszuführen. Siehe Anweisungen unter dem Titel „Wartung“.
- Das Arbeiten bei schlechtem Wetter ist nicht nur ermüdend, sondern birgt auch zusätzliche Risiken. Aufgrund des höheren Risikos wird davon abgeraten, das Gerät bei sehr schlechtem Wetter zu verwenden, z. B. bei dichtem Nebel, starkem Regen, starkem Wind, großer Kälte, Gewittergefahr usw.
- Arbeiten Sie niemals stehend auf einer Leiter oder einem Hocker oder in einer anderen, nicht ausreichend gesicherten erhöhten Position.
- Lagern Sie inaktive Geräte in Innenräumen – Geräte, die nicht benutzt werden, sollten in Innenräumen gelagert werden
- Es ist unmöglich, hier alle denkbaren Situationen zu beschreiben. Gehen Sie stets vorsichtig vor, und arbeiten Sie mit gesundem Menschenverstand. Vermeiden Sie Situationen, denen Sie sich nicht gewachsen fühlen. Wenn Sie sich nach dem Lesen dieser Anweisungen immer noch unsicher fühlen, wie Sie vorgehen sollen, bitten Sie einen Fachmann um Rat, bevor Sie fortfahren.
- Stellen Sie sicher, dass während der Verwendung Menschen und Tiere einen Abstand von mindestens 15 Metern einhalten. Wenn mehrere Bediener am gleichen Einsatzort tätig sind, muss der Sicherheitsabstand mindestens 15 Meter betragen. Andernfalls kann es zu schweren Verletzungen kommen. Stellen Sie das Gerät sofort ab, wenn sich Personen oder Tiere nähern. Drehen Sie sich niemals abrupt mit dem Gerät um, ohne vorher sicherzugehen, dass sich hinter Ihnen niemand innerhalb der Sicherheitszone befindet.
- Wenn während der Arbeit mit dem Gerät irgendetwas in der Schneidausrüstung hängen bleibt, halten Sie das Gerät an, und schalten Sie es aus. Stellen Sie sicher, dass die Schneidausrüstung vollständig stoppt. Entfernen Sie den Akku, bevor Sie das Gerät und/oder die Schneidausrüstung reinigen, überprüfen oder reparieren.
- Stellen Sie sicher, dass weder Menschen noch Tiere oder andere Dinge die Kontrolle des Geräts beeinflussen oder mit der Schneidausrüstung oder umherfliegenden Gegenständen in Berührung kommen. Sie dürfen das Gerät niemals benutzen, wenn im Falle eines Unfalls nicht die Möglichkeit besteht, Hilfe herbeizurufen.
- Vergewissern Sie sich, dass Sie sicher gehen und stehen können. Achten Sie auf eventuelle Hindernisse (Wurzeln, Steine, Äste, Löcher, Gräben usw.), wenn Sie unvermittelt Ihren Standort wechseln. Beim Arbeiten auf abschüssigem Boden müssen Sie immer sehr vorsichtig sein.
- Gehen Sie, auf keinen Fall dürfen Sie laufen.
- Kontrollieren Sie den Arbeitsbereich. Entfernen Sie alle losen Gegenstände, z. B. Steine, Glasscherben, Nägel, Drähte, Schnüre, usw., die weggeschleudert werden oder sich in der Schneidausrüstung oder Schutzausrüstung verfangen können.
- Achten Sie auf Aststückchen, die beim Schneiden weggeschleudert werden können. Schneiden Sie nicht zu dicht am Boden, wo Steine und andere Gegenstände weggeschleudert werden können.
- Stellen Sie sicher, dass keine Kleidung und kein Körperteil mit der Schneidausrüstung in Kontakt kommen, wenn das Gerät aktiviert ist. Halten Sie das Gerät stets unterhalb der Taille.
- Achten Sie auf hochgeschleuderte Gegenstände. Tragen Sie immer einen zugelassenen Augenschutz. Beugen Sie sich niemals über den Schutz für die Schneidausrüstung. Hochgeschleuderte Steine, Unrat usw. können die Augen treffen und Blindheit oder schwere Verletzungen verursachen.
- Achten Sie immer genau auf Warnsignale oder Rufe, wenn Sie den Gehörschutz tragen. Nehmen Sie den Gehörschutz immer ab, sobald das Gerät abgestellt ist.
- Ziehen Sie bei unerwünschten Vibrationen einen neuen Faden bis zur richtigen Länge aus, um die Vibrationen zu stoppen.
- Wenn das Gerät anfängt, ungewöhnlich zu vibrieren, halten Sie es an und entfernen Sie den Akku.
- Eine übermäßige Belastung durch Vibrationen kann bei Personen mit Durchblutungsstörungen zu Kreislaufschäden oder Nervenschäden führen. Sprechen Sie mit Ihrem Arzt, wenn Sie nach übermäßiger Belastung durch Vibrationen irgendwelche Beschwerden haben. Beispiele für solche Symptome sind: „Einschlafen“ von Körperteilen, Gefühlsverlust, Jucken, Stechen, Schmerz, Verlust oder Beeinträchtigung der normalen Körperkraft, Veränderungen der Hautfarbe oder der Haut. Diese Beschwerden treten normalerweise in den Fingern, Händen und Handgelenken auf.

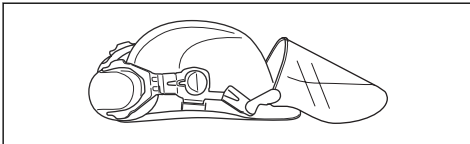
- Halten Sie das Gerät stets mit beiden Händen. Halten Sie das Gerät auf der rechten Seite des Körpers.

Persönliche Schutzausrüstung

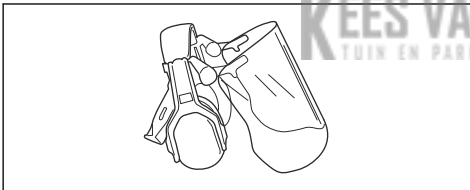


WARNUNG: Lesen Sie die folgenden Warnhinweise, bevor Sie das Gerät benutzen.

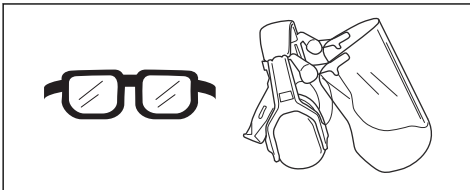
- Verwenden Sie stets die vorgeschriebene persönliche Schutzausrüstung bei der Benutzung des Geräts. Durch Tragen persönlicher Schutzausrüstung können Verletzungen nicht vollständig ausgeschlossen werden, aber im Ernstfall kann so die Verletzungsschwere reduziert werden. Lassen Sie sich bei der Auswahl der richtigen Ausrüstung von Ihrem Händler beraten.
- Tragen Sie einen Schutzhelm in Bereichen, in denen Gefahr durch herabfallende Gegenstände besteht.



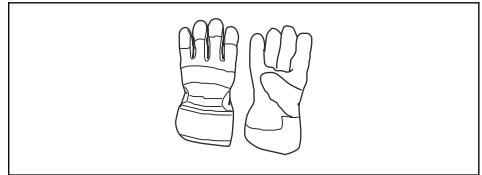
- Tragen Sie einen Gehörschutz mit ausreichender Dämmwirkung. Eine längerfristige Beschallung mit Lärm kann zu bleibenden Gehörschäden führen.



- Tragen Sie einen zugelassenen Augenschutz. Bei der Benutzung eines Visiers ist außerdem eine zugelassene Schutzbrille zu tragen. Zugelassene Schutzbrillen müssen die Normen ANSI Z87.1 für die USA bzw. EN 166 für EU-Länder erfüllen.



- Tragen Sie bei Bedarf Schutzhandschuhe, beispielsweise bei der Montage, der Untersuchung oder der Reinigung der Schneidausrüstung.



- Verwenden Sie rutschfeste und stabile Stiefel.



- Tragen Sie Kleidung aus reißfestem Material. Tragen Sie stets lange Hosen aus schwerem Stoff und lange Ärmel. Tragen Sie keine weite Kleidung, die sich leicht an Ästen und Zweigen verfangen könnte. Vermeiden Sie das Tragen von Schmuck, kurzen Hosen und Sandalen. Gehen Sie nicht barfuß. Binden Sie Ihre Haare sicherheitshalber zusammen, sodass sie nicht über Ihre Schultern fallen.
- Halten Sie eine Erste-Hilfe-Ausrüstung und einen Feuerlöscher griffbereit.



Sicherheitsvorrichtungen am Gerät



WARNUNG: Lesen Sie die folgenden Warnhinweise, bevor Sie das Gerät benutzen.

In diesem Abschnitt werden einzelnen Teile der Sicherheitsausrüstung des Gerätes beschrieben, welche Funktion sie haben und wie ihre Kontrolle und Wartung ausgeführt werden sollen, um sicherzustellen, dass sie funktionsfähig sind. Die Einbaulage dieser Komponenten ist unter der Überschrift *Einleitung auf Seite 28* gelistet.

Die Lebensdauer der Maschine kann verkürzt werden und die Unfallgefahr kann steigen, wenn die Wartung des Geräts nicht ordnungsgemäß und Service und/oder Reparaturen nicht fachmännisch ausgeführt werden. Wenden Sie sich für weitere Informationen an Ihre Vertragswerkstatt.



WARNUNG: Benutzen Sie kein Gerät mit defekten Sicherheitsvorrichtungen. Die Sicherheitsausrüstung des Gerätes muss so

kontrolliert und gewartet werden, wie dies in diesem Abschnitt beschrieben wird. Wenn Ihr Gerät diesen Anforderungen nicht entspricht, muss eine Servicewerkstatt aufgesucht werden.



ACHTUNG: Service und Reparatur des Gerätes erfordern eine Spezialausbildung. Dies gilt besonders für die Sicherheitsausrüstung des Geräts. Wenn Ihr Gerät den unten aufgeführten Kontrollanforderungen nicht entspricht, müssen Sie Ihre Servicewerkstatt aufsuchen. Beim Kauf eines unserer Produkte wird gewährleistet, dass Reparatur- oder Servicearbeiten fachmännisch ausgeführt werden. Sollte der Verkäufer Ihres Gerätes nicht an unser Fachhändler-Service-Netz angeschlossen sein, fragen Sie nach unserer nächstgelegenen Servicewerkstatt.

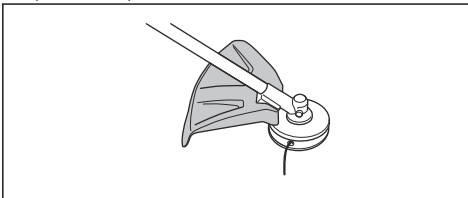
So prüfen Sie die Schutzvorrichtung der Schneidausrüstung



WARNUNG: Verwenden Sie keine Schneidausrüstung ohne eine zugelassene und ordnungsgemäß befestigte Schutzvorrichtung. Verwenden Sie stets die empfohlene Schutzvorrichtung für die Schneidausrüstung, die Sie benutzen, siehe *Zubehör auf Seite 41*. Wenn eine falsche oder defekte Schutzvorrichtung montiert wird, können dadurch schwere Verletzungen verursacht werden.

Der Schutz der Schneidausrüstung stoppt Objekte, die in die Richtung des Bedieners geschleudert werden. Es verhindert außerdem Verletzungen, wenn Sie mit der Schneidausrüstung in Kontakt kommen.

1. Halten Sie den Motor an.
2. Führen Sie eine Sichtkontrolle auf Beschädigungen (z. B. Risse) durch.



3. Tauschen Sie den Schutz für die Schneidausrüstung aus, wenn er beschädigt ist.

Sicherheitshinweise für die Montage



WARNUNG: Lesen, verstehen und befolgen Sie die Anweisungen sorgfältig, bevor Sie das Gerät verwenden.

- Entfernen Sie den Akku aus dem Gerät, bevor Sie es montieren.
- Tragen Sie zugelassene Schutzhandschuhe.
- Ein fehlerhafter oder falscher Schutz kann Verletzungen verursachen. Verwenden Sie keine Schneidausrüstung, an der kein zugelassener Schutz befestigt ist.
- Stellen Sie sicher, dass Sie die Abdeckung und das Führungsrohr korrekt montieren, bevor Sie das Gerät starten.
- Das Mitnehmerrad und der Stützflansch müssen korrekt in die Mittelbohrung der Schneidausrüstung einrasten. Eine Schneidausrüstung, die nicht korrekt angebracht wurde, kann zu Verletzungen oder zum Tod führen.
- Um das Gerät sicher zu bedienen und Verletzungen des Bedieners oder anderer Personen zu vermeiden, muss das Gerät immer korrekt am Tragegurt angebracht sein.

Sicherheitshinweise für die Wartung



WARNUNG: Lesen Sie die folgenden Warnhinweise, bevor Sie das Gerät warten.

- Entfernen Sie vor Wartungs-, Kontroll- oder Montagearbeiten den Akku.
- Der Bediener darf nur die Wartungs- und Servicearbeiten ausführen, die in dieser Bedienungsanleitung beschrieben sind. Für darüber hinausgehende Wartungs- und Servicearbeiten wenden Sie sich bitte an Ihren Servicehändler.
- Reinigen Sie weder den Akku noch das Ladegerät mit Wasser. Starke Reiniger können den Kunststoff beschädigen.
- Wenn Wartungsarbeiten nicht durchgeführt werden, verringert sich die Lebensdauer des Geräts, und die Unfallgefahr steigt.
- Für alle Service- und Reparaturarbeiten, insbesondere an den Sicherheitsvorrichtungen des Geräts, ist eine spezielle Schulung erforderlich. Wenn nach Durchführung der Wartungsarbeiten nicht alle in dieser Bedienungsanleitung beschriebenen Prüfungen mit positivem Ergebnis ausfallen, wenden Sie sich an Ihren Servicehändler. Wir garantieren Ihnen, dass für Ihr Gerät professionelle Service- und Reparaturdienste verfügbar sind.

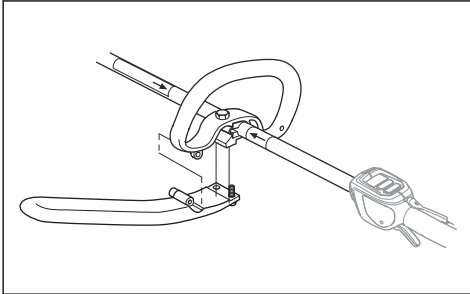
Montage

So montieren Sie den J-Griff

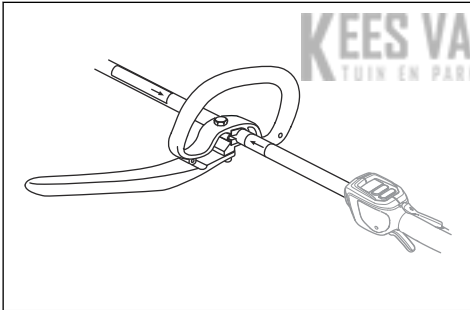


WARNUNG: Der J-Griff muss am Loophandgriff angebracht werden, wenn das Gerät mit einer der empfohlenen Metallschneidausrüstungen verwendet werden soll.

1. Befestigen Sie den J-Griff mit 3 Schrauben am Loophandgriff.

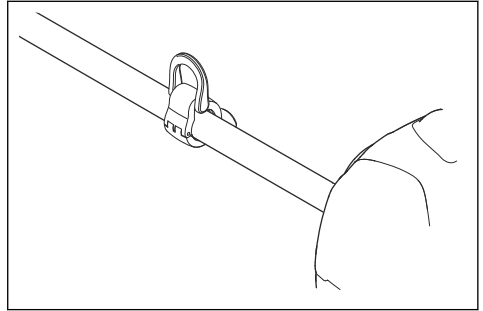


2. Bringen Sie das Gerät in eine bequeme Position.
3. Ziehen Sie die Schrauben an.



So montieren Sie ggf. den Tragegurt-Aufhängehaken

1. Installieren Sie den Tragegurt-Aufhängehaken zwischen den Pfeilen auf dem hinteren Griff und dem Loophandgriff.



Hinweis: Bringen Sie den Loophandgriff nicht auf dem Aufkleber an.

2. Justieren Sie die Aufhängöse so, dass das Gerät ausbalanciert und einfach zu bedienen ist.

So montieren Sie die Schneidausrüstung

Die Schneidausrüstung umfasst eine Schneidvorrichtung und einen Schutz für die Schneidausrüstung.



WARNUNG: Tragen Sie stets Schutzhandschuhe.



WARNUNG: Verwenden Sie immer den Schutz, der für die Schneidausrüstung empfohlen wird. Siehe *Technische Angaben* auf Seite 40.

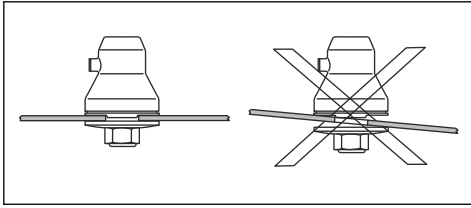


WARNUNG: Eine nicht korrekt montierte Schneidausrüstung kann zu Verletzungen oder zum Tod führen.

Montage der Klingen



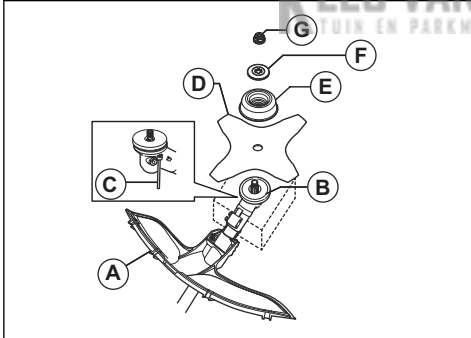
WARNUNG: Bei der Montage der Schneidausrüstung ist es äußerst wichtig, dass die Führung des Mitnehmrads/ Stützflansches korrekt im Mittelloch der Schneidausrüstung sitzt. Eine falsch montierte Schneidausrüstung kann schwere oder gar tödliche Verletzungen verursachen.



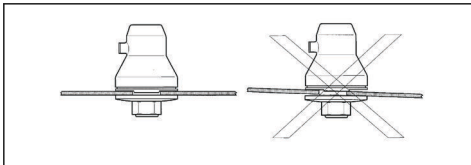
WARNUNG: Unter keinen Umständen darf eine Schneidausrüstung ohne einen zugelassenen Schutz betrieben werden. Siehe Kapitel Technische Daten. Wenn ein falscher oder defekter Schutz angebracht ist oder bei Verwendung einer metallischen Schneidausrüstung der J-Griff fehlt, kann dies zu schweren Verletzungen führen.

So befestigen Sie die Grasklinge

1. Setzen Sie das Getriebe des Geräts auf eine flache Oberfläche, um sicherzustellen, dass das Messer richtig montiert wird.
2. Drehen Sie die Abtriebswelle, bis sich eines der Löcher des Mitnehmerrads (B) mit dem entsprechenden Loch im Getriebegehäuse deckt.
3. Stecken Sie den Sperrstift (C) in das Loch, so dass die Achse fixiert ist.
4. Montieren Sie die Grasklinge (D), die Stützkappe (E) und den Stützflansch (F) an der Abtriebswelle.

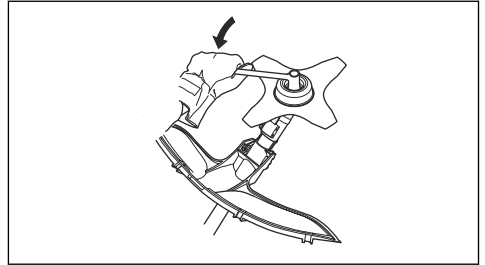


5. Stellen Sie sicher, dass das Mitnehmerrad und der Stützflansch korrekt im Mittelloch der Grasklinge einrasten.



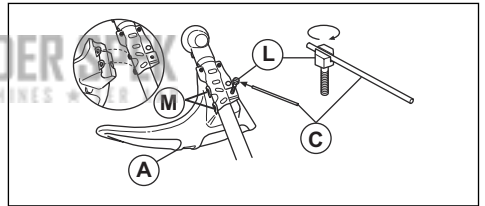
6. Bringen Sie die Mutter (G) an.

7. Ziehen Sie die Mutter mit dem Steckschlüssel an. Halten Sie die Welle des Steckschlüssels nahe dem Klingenschutz. Ziehen Sie in entgegengesetzter Richtung an, in der sich die Schneidausrüstung dreht. Ziehen Sie sie mit einem Drehmoment von 35-50 Nm an.



So bringen Sie den Trimmerschutz für einen Trimmerkopf an

1. Hängen Sie den Trimmerschutz (A) in die beiden Haken am Plattenhalter (M) ein.
2. Biegen Sie den Schutz um das Führungsrohr, und befestigen Sie ihn mit der Schraube (L) auf der gegenüber liegenden Seite des Führungsrohrs.
3. Stecken Sie den Sperrstift (C) in die Nut am Schraubenkopf, und ziehen Sie die Schraube fest.



Grasklinge

- Verwenden Sie korrekt geschärfte Klingen. Eine nicht korrekt geschärfte oder beschädigte Klinge erhöht das Unfallrisiko.
- Verwenden Sie korrekt eingestellte Klingen. Die korrekte Klingeneinstellung ist 1 mm. Eine nicht korrekt eingestellte Klinge erhöht das Risiko von Verletzungen oder Beschädigungen.
- Zum korrekten Schärfen und Einstellen der Klinge, siehe die Anweisungen, die mit der Klinge geliefert werden.

So balancieren Sie das Gerät aus



WARNUNG: Verwenden Sie immer den Tragegurt, wenn Sie mit dem Gerät arbeiten. Der Tragegurt bietet die bestmögliche Kontrolle des Geräts und verringert das Risiko einer Ermüdung von Armen und Rücken.

- Legen Sie den Tragegurt an.

- Verbinden Sie den Aufhängehaken des Geräts mit dem Tragegurt und halten Sie die Schneidusrüstung parallel zum Boden.

- Das Gerät ist korrekt ausbalanciert, wenn sich die Klinge auf Schnitthöhe in Bodennähe befindet.



Betrieb

Einleitung



WARNUNG: Lesen Sie vor Gebrauch des Geräts das Kapitel über Sicherheit, und machen Sie sich damit vertraut.

So stellen Sie den Tragegurt ein



WARNUNG: Befestigen Sie dieses Gerät immer richtig am Tragegurt. Wenn dies nicht der Fall ist, können Sie das Gerät nicht sicher steuern, und es kann zu Verletzungen bei Ihnen selbst oder bei anderen kommen. Benutzen Sie keinen Tragegurt mit defektem Schnellverschluss.



WARNUNG: Lassen Sie im Notfall das Gerät mitsamt Tragegurt auf den Boden fallen.

1. Den Tragegurt anlegen.
2. Stellen Sie den Tragegurt auf die optimale Arbeitsstellung ein.
3. Stellen Sie den Tragegurt so ein, dass die Schneidusrüstung parallel zum Boden hängt.



4. Wenn Gras geschnitten werden soll, lassen Sie die Schneidusrüstung leicht auf dem Boden bleiben. Stellen Sie den Tragegurthalter ein, um das Gerät korrekt auszubalancieren.

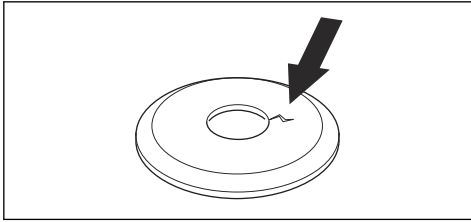
Arbeitsstellung

- Halten Sie das Gerät mit beiden Händen.
- Halten Sie das Gerät auf der rechten Seite des Körpers.
- Die Schneidusrüstung muss sich unterhalb der Taille befinden.
- Halten Sie sich von den heißen Flächen fern.
- Halten Sie sich von der Schneidusrüstung fern.

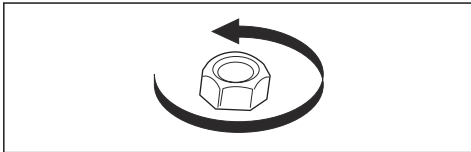
Vor Inbetriebnahme des Geräts

- Kontrollieren Sie den Arbeitsbereich, um sicherzustellen, dass Sie die Art des Geländes, die Neigung des Bodens und mögliche Hindernisse wie Steine, Äste und Gräben kennen.
- Führen Sie eine Überholung des Geräts durch.
- Führen Sie Sicherheitskontrollen, Wartungen und Servicemaßnahmen durch, die in dieser Bedienungsanleitung beschrieben sind.
- Stellen Sie sicher, dass alle Abdeckungen, Schutzvorrichtungen, Griffe und die Schneidusrüstung richtig montiert und unbeschädigt sind.
- Stellen Sie sicher, dass auf der Unterseite der Grasklingenzähne oder am Mittelloch der Klinge keine Risse sind. Ersetzen Sie die Klinge bei Beschädigung.

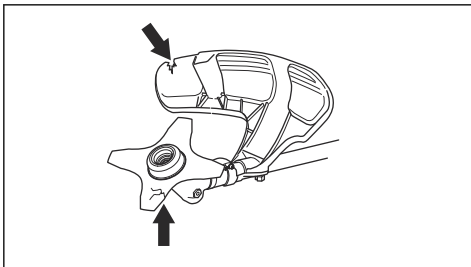
- Überprüfen Sie den Stützflansch auf Risse. Ersetzen Sie den Stützflansch bei Beschädigung.



- Stellen Sie sicher, dass die Sicherungsmutter nicht von Hand entfernt werden kann. Wenn sie von Hand entfernt werden kann, hält sie die Schneidausrüstung nicht ausreichend in Stellung, und Sie müssen sie ersetzen.



- Überprüfen Sie den Klingenschutz auf Beschädigungen oder Risse. Ersetzen Sie den Klingenschutz bei Beschädigungen oder Rissen.
- Überprüfen Sie den Trimmerkopf und die Schutzvorrichtung für die Schneidausrüstung auf Beschädigungen oder Risse. Ersetzen Sie den Trimmerkopf und die Schutzvorrichtung für die Schneidausrüstung bei Beschädigungen oder Rissen.

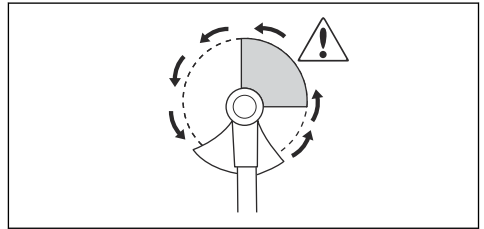


Klingenstoß



WARNUNG: Bei einem Klingenstoß bewegt sich das Produkt schnell und kraftvoll zur Seite. Ein Klingenstoß tritt auf, wenn die Grasklinge auf ein Objekt trifft, das nicht geschnitten werden kann. Ein Klingenstoß kann das Produkt oder den Bediener in alle Richtungen schleudern. Es besteht eine Verletzungsgefahr für den Bediener und andere Personen. Das Risiko erhöht sich in Bereichen, wo das zu schneidende Material nicht leicht zu erkennen ist. Schneiden Sie nicht mit dem Bereich der Klinge, der in Grau dargestellt ist. Ein Klingenstoß kann

durch die Geschwindigkeit und die Bewegung der Klinge verursacht werden. Die Gefahr erhöht sich mit der Stärke des Stamms, der geschnitten wird.

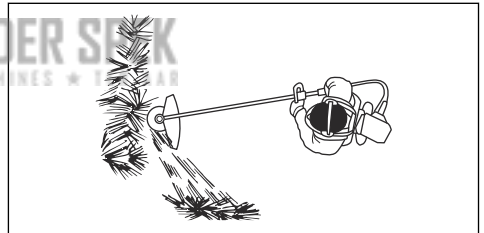


Grasfreischneiden mit Grasklinge



ACHTUNG: Verwenden Sie Grasklingen und Grasmesser nicht auf Holz. Verwenden Sie Grasklingen und Grasmesser nur für langes oder grobes Gras.

- Bewegen Sie das Produkt von einer Seite zur anderen.
- Wenn Sie schneiden, beginnen Sie die Bewegung von rechts nach links. Bevor Sie erneut schneiden, bewegen Sie das Produkt nach rechts.
- Schneiden Sie mit der linken Seite der Grasklinge.



- Neigen Sie die Grasklinge nach links, damit das Gras in einer Linie fällt. Dadurch können Sie den Grasschnitt einfacher einsammeln.
- Behalten Sie eine stabile Stellung mit gespreizten Beinen bei.
- Bewegen Sie sich nach jeder Rechtsbewegung vorwärts, und stellen Sie sicher, dass Sie wieder eine stabile Position haben, bevor Sie erneut schneiden.
- Halten Sie die Stützkappe mit einem leichten Druck gegen den Boden, um sicherzustellen, dass die Grasklinge nicht auf den Boden trifft.
- Befolgen Sie diese Anweisungen, um das Risiko zu verringern, dass sich Schnittmaterial um die Grasklinge herum wickelt:
 - a) Geben Sie Vollgas.
 - b) Bewegen Sie die Grasklinge nicht durch bereits geschnittenes Material, wenn Sie das Produkt von links nach rechts bewegen.

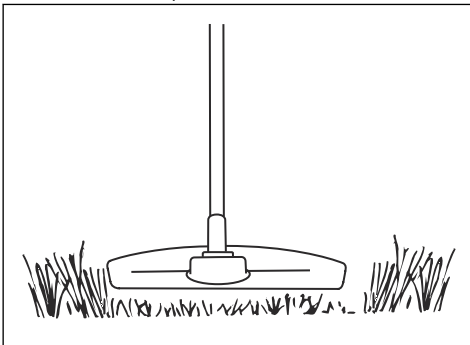
- Bevor Sie das Schnittgut aufsammeln, schalten Sie den Motor ab und entfernen Sie das Produkt aus dem Tragegurt. Stellen Sie das Produkt auf dem Boden ab.

So schneiden Sie Gras mit einer Grasklinge frei

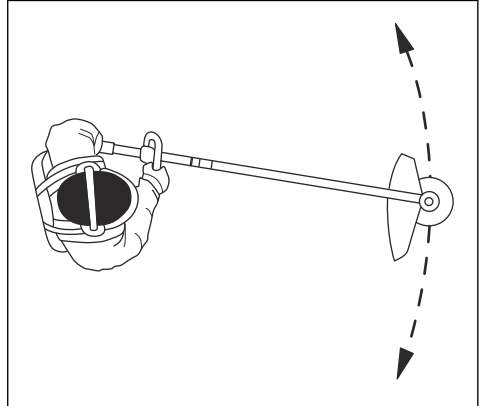
1. Grasklingen und Grassmesser dürfen nicht für verholzte Stämme verwendet werden.
2. Für alle Arten von hohem oder dichtem Gras wird die Grasklinge benutzt.
3. Gras wird mit einer pendelnden seitlichen Bewegung gemäht, wobei bei der Bewegung von rechts nach links gemäht wird und die Rückholbewegung von links nach rechts erfolgt. Lassen Sie die Klinge mit der linken Seite mähen (Klingenbereich zwischen 8 und 12 Uhr).
4. Wird die Klinge beim Mähen etwas nach links geneigt, bleibt der Grasschnitt in einer Bahn liegen, was das Aufsammeln z. B. durch Harken erleichtert.
5. Bemühen Sie sich, rhythmisch zu arbeiten. Mit gespreizten Beinen stehen Sie am sichersten. Gehen Sie nach der Rückholbewegung vorwärts und suchen Sie wieder einen festen Stand.
6. Stützen Sie die Stützkappe leicht auf dem Boden ab. Sie dient dazu, die Klinge vor Bodenberührung zu schützen.
7. Verringern Sie die Gefahr, dass sich Material um die Klinge wickelt, indem Sie immer mit voller Geschwindigkeit arbeiten und vermeiden, das geschnittene Material bei der Rückholbewegung zu berühren.
8. Stellen Sie den Motor ab, nehmen Sie den Gurt ab und legen Sie das Gerät auf den Boden, bevor Sie das Schnittgut aufsammeln.

So mähen Sie den Rasen

1. Stellen Sie sicher, dass der Rasentrimmerfaden beim Schneiden parallel zum Boden läuft.



2. Drücken Sie den Trimmerkopf nicht auf den Boden. Der Boden und das Gerät könnten dadurch beschädigt werden.
3. Der Trimmerkopf sollte nicht durchgängig den Boden berühren, da es sonst zu Schäden am Trimmerkopf kommen kann.
4. Arbeiten Sie mit voller Geschwindigkeit, wenn Sie das Gerät beim Mähen von einer Seite zur anderen bewegen.



Stellen Sie sicher, dass der Rasentrimmerfaden beim Schneiden parallel zum Boden läuft.

So blasen Sie Gras fort

Der Luftstrom aus dem rotierenden Trimmerkabel kann verwendet werden, um Gras aus einem Bereich zu entfernen.

1. Halten Sie den Trimmerkopf und sein Kabel parallel zum und über dem Boden.
2. Geben Sie Vollgas.
3. Bewegen Sie den Trimmerkopf von einer Seite zur anderen, und blasen Sie das Gras fort.



WARNUNG: Reinigen Sie die Trimmerkopfabdeckung jedes Mal, wenn Sie ein neues Trimmerkabel zusammenbauen, um Unwucht und Vibrationen in den Griffen zu vermeiden. Sie sollten auch die anderen Teile des Trimmerkopfs überprüfen und bei Bedarf reinigen.

Wartung

Einleitung



WARNUNG: Vor der Durchführung von Wartungsarbeiten müssen Sie die Sicherheitsinformationen lesen und verstehen.

Wartungsplan



WARNUNG: Den Akku entfernen, bevor Wartungsarbeiten durchgeführt werden.

Nachstehend sind die am Gerät vorzunehmenden Wartungsmaßnahmen aufgelistet.

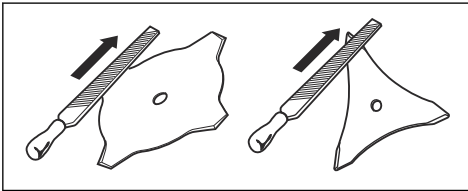
| Wartung | Täglich | Wöchentlich | Monatlich |
|--|---------|-------------|-----------|
| Die äußeren Teile des Geräts mit einem sauberen und trockenen Tuch reinigen. Kein Wasser verwenden. | X | | |
| Sicherstellen, dass die Schneidausrüstung unbeschädigt ist. Die Schneidausrüstung bei Beschädigung ersetzen. | X | | |
| Sicherstellen, dass der Schutz für die Schneidausrüstung unbeschädigt ist. Den Schutz für die Schneidausrüstung bei Beschädigung ersetzen. | X | | |
| Sicherstellen, dass alle Schrauben und Muttern fest angezogen sind. | X | | |
| Prüfen, ob das Winkelgetriebe zu 3/4 mit Schmiermittel gefüllt ist. Bei Bedarf Spezialfett nachfüllen. | | X | |

So schärfen Sie Grasmesser und Grasklinge



WARNUNG: Stoppen Sie den Motor. Tragen Sie stets Schutzhandschuhe.

- Um das Grasmesser oder die Grasklinge ordnungsgemäß zu schärfen, lesen Sie die Anweisungen, die mit der Schneidausrüstung ausgeliefert werden.
- Schärfen Sie alle Kanten gleichmäßig, um das Gleichgewicht zu halten.
- Verwenden Sie eine einfache Flachfeile.

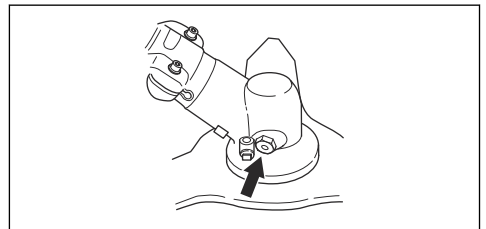


WARNUNG: Entsorgen Sie immer eine beschädigte Klinge. Versuchen Sie nicht,

eine verbogene oder verdrehte Klinge wieder gerade zu biegen und sie anschließend erneut zu benutzen.

Winkelgetriebe

Das Winkelgetriebe wird im Werk zu $\frac{3}{4}$ mit Schmierfett aufgefüllt. Bevor Sie das Produkt verwenden, stellen Sie sicher, dass sich der Schmierfettpegel nicht verändert hat. Verwenden Sie Husqvarna Spezialfett bei Bedarf zum Nachfüllen. Wechseln Sie nicht das Schmierfett im Winkelgetriebe aus. Lassen Sie das Wartungspersonal die Reparatur des Winkelgetriebes durchführen.



Technische Angaben

Technische Daten

| | |
|--|------------|
| 325iLK + Motorsensen-Anbaugerät BCA850 | |
| Motor | |
| Drehzahl der Abtriebswelle, 1/min ⁹ | 5.800 |
| Gewicht | |
| Gewicht, kg | 3,7 + +1,6 |
| Ablängen | |
| Schnittbreite, mm | Ø 255 |
| Geräuschemissionen¹⁰ | |
| Gemessener Schalleistungspegel dB (A) | 95 |
| Schalleistungspegel, garantiert L _{WA} dB (A) | 96 |
| Geräuschpegel¹¹ | |
| Äquivalenter Schalldruckwert am Ohr des Bedieners, gemessen gemäß ISO 22868, dB (A): | |
| Ausgestattet mit Trimmerkopf (Original) | 82 |
| Vibrationswerte¹² | |
| Vibrationspegel an den Griffen, gemessen nach ISO 22867, m/s ² | |
| Ausgestattet mit Trimmerklinge (Original), links/rechts | 3,3/1,5 |

⁹ Umdrehungen/Minute

¹⁰ Umweltbelastende Geräuschemission gemessen als Schalleistung (LWA) gemäß EG-Richtlinie 2000/14/EG. Der aufgezeichnete Lautstärkepegel für die Maschine wurde unter Verwendung der originalen Schneidausrüstung mit dem höchsten Pegel gemessen. Der Unterschied zwischen garantiertem und gemessenem Schalleistungspegel besteht darin, dass beim garantierten Schalleistungspegel auch eine Streuung im Messergebnis und Variationen zwischen verschiedenen Geräten desselben Modells gemäß der Richtlinie 2000/14/EG berücksichtigt werden.

¹¹ Berichten zufolge liegt der Schalldruckpegel für dieses Gerät normalerweise bei einer Ausbreitungsklasse (Standardabweichung) von 3 dB (A) und wurde mit dem Original-Anbaugerät, das den höchsten Pegel ergibt, geprüft.

¹² Berichten zufolge liegt der Vibrationspegel normalerweise bei einer Ausbreitungsklasse (Standardabweichung) von 2 m/s². Verwenden Sie zum Vergleich von Vibrationspegeln, Akku- und Verbrennungsgeräten den Vibrationsrechner: <https://www.husqvarna.com/uk/services-solutions/vibration-calculator/>.

Zubehör

Zubehör

| Zugelassenes Zubehör mit dem BCA850 Anbaugerät | Art des Zubehörs | Schutz für die Schneidausrüstung, Teile-Nr. |
|--|---|---|
| Gewinde Klingenwelle M10 | | |
| Mittelbohrung in Klingen/Messern Ø 25,4 mm | | |
| Grasklinge/Grasmesser | Grasklinge 255-4, 1 Zoll (Ø 255, 4 Zähne) | 588 11 79-01 |

KEES VAN DER SPEK
TUIN EN PARKMACHINES ★ TER AAR


EG-Konformitätserklärung

EU-Konformitätserklärung

Husqvarna AB, SE-561 82 Huskvarna, Sweden, tel: +46-36-146500, erklärt hiermit, dass die Motorsensen-Anbaugeräte, Husqvarna BCA850, mit Seriennummer ab 2019 (die Jahreszahl wird im Klartext mitsamt einer nachfolgenden Seriennummer auf dem Typenschild angegeben) zusammen mit dem Antriebskopf 325iLK den Vorschriften der RICHTLINIE DES RATES entsprechen:

- „Maschinen-Richtlinie“ **2006/42/EG** vom 17. Mai 2006
- „Richtlinie über elektromagnetische Verträglichkeit“, **2014/30/EU** vom 26. Februar 2014
- „Richtlinie über umweltbelastende Geräuschemissionen von zur Verwendung im Freien vorgesehenen Geräten und Maschinen“ **2000/14/EG** vom 8. Mai 2000
- „Richtlinie zur Beschränkung der Verwendung bestimmter gefährlicher Stoffe in Elektro- und Elektronikgeräten“ **2011/65/EU** vom 8. Juni 2011.

Die folgenden Normen werden erfüllt: IEC 62841-1:2014, EN ISO 11806-1:2011, EN 50581:2012

RISE SMP Svensk Maskinprovning AB, Box 7035, SE-750 07 Uppsala, Sweden, Box 7035, SE-750 07 Uppsala, Sweden, hat die EG-Typenprüfung gemäß Maschinenrichtlinie (2006/42/EG) Artikel 12, Absatz 3b durchgeführt. Das Zertifikat hat die Nummer: 

RISE SMP Svensk Maskinprovning AB hat auch die Übereinstimmung mit Anhang V der Richtlinie 2000/14/EG des Rates bestätigt. Das Zertifikat hat die Nummer: 01/1610/010

Informationen zu Geräuschemissionen finden Sie unter *Technische Angaben auf Seite 40.*

Huskvarna



Pär Gustafsson, Entwicklungsleiter (bevollmächtigter Vertreter für Husqvarna AB, verantwortlich für die technische Dokumentation)

Contenido

| | | | |
|---------------------|----|------------------------------------|----|
| Introducción..... | 43 | Mantenimiento..... | 53 |
| Seguridad..... | 44 | Datos técnicos..... | 55 |
| Montaje..... | 48 | Accesorios..... | 56 |
| Funcionamiento..... | 50 | Declaración de conformidad CE..... | 57 |

Introducción

Descripción del producto

Trabajamos constantemente para perfeccionar nuestros productos y nos reservamos, por lo tanto, el derecho a introducir modificaciones en la construcción y el diseño sin previo aviso.

Nota: En este manual se cubren las unidades a batería.

Uso previsto



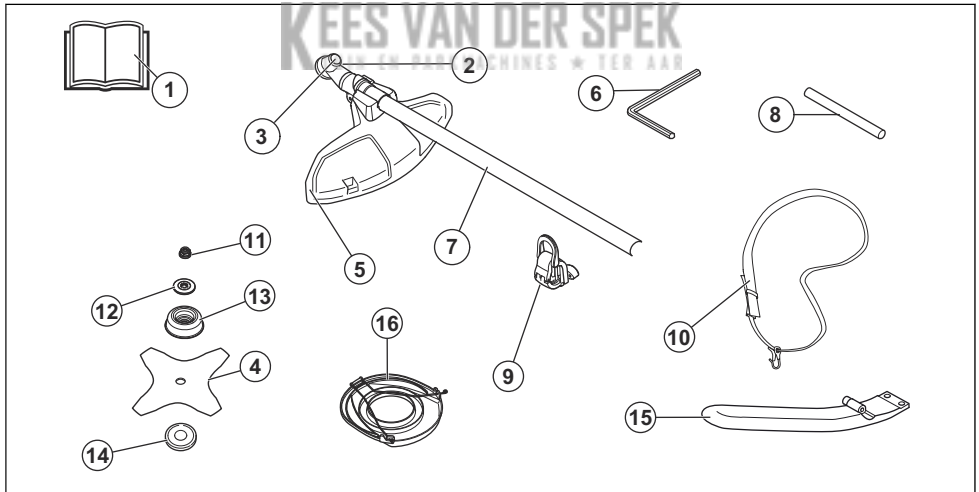
ADVERTENCIA: Este accesorio solo puede utilizarse con el producto para el que está

previsto; consulte el capítulo sobre accesorios del manual de usuario del producto en cuestión.

El producto es una desbrozadora para cortar distintos tipos de vegetación. No utilice el producto para otras tareas diferentes a cortar o desbrozar hierba. Utilice una hoja de hierba para cortar hierba.

Nota: El uso podría estar regulado por los reglamentos nacionales o locales. Observe los reglamentos indicados.

Descripción del producto



1. Manual de usuario
2. Engranaje angulado
3. Orificio para el pasador de bloqueo
4. Hoja de hierba
5. Protección del equipo de corte
6. Llave hexagonal de 4 mm
7. Eje
8. Pasador de seguridad
9. Gancho de sujeción del arnés
10. Arnés
11. Tuerca de bloqueo
12. Brida de apoyo
13. Cazoleta de apoyo
14. Pieza de arrastre
15. Asa
16. Protección para transportes

Símbolos que aparecen en el producto



ADVERTENCIA: El uso descuidado o incorrecto de este equipo puede provocar heridas graves o mortales al operador o a otras personas.



Utilice un casco protector si trabaja en un lugar donde puedan caerle objetos. Utilice protección auditiva homologada. Utilice protección ocular homologada.



Velocidad máxima del eje de salida.



Mantenga todas las partes del cuerpo lejos de las superficies calientes.



El producto puede provocar que salgan objetos despedidos, lo que puede causar lesiones.



Existe riesgo de lanzada de hoja si el equipo de corte entra en contacto con un objeto que no pueda cortar inmediatamente. El producto puede cortar partes del cuerpo. Mantenga siempre a las personas y animales a una distancia mínima de 15 m/50 pies durante el funcionamiento del producto.



Utilice guantes protectores homologados.



Utilice botas de trabajo antideslizantes.



El usuario debe asegurarse de que ninguna persona ni ningún animal se acerquen a menos de 15 metros. Cuando haya varios operarios trabajando en el mismo lugar de trabajo, la distancia de seguridad entre ellos debe ser de 15 metros. El equipo puede despedir objetos con mucha fuerza, y pueden rebotar. Si no se utiliza el equipo de seguridad recomendado, se pueden producir daños oculares graves.



Las emisiones sonoras en el entorno según la directiva de la Comunidad Europea. Las emisiones del accesorio se indican en el capítulo Datos técnicos y en la etiqueta.

aaaaassxxx

La placa de características muestra el número de serie. **aaaa** es el año de fabricación, **ss** es la semana de producción y **xxx** es el número secuencial.

Nota: Los demás símbolos/etiquetas que aparecen en el producto corresponden a requisitos de homologación específicos en otras zonas comerciales.

Fabricante

Husqvarna AB

Drottninggatan 2, SE-561 82 Huskvarna, Sweden, tel: +46-36-146500

Seguridad

Definiciones de seguridad

Las advertencias, precauciones y notas se utilizan para destacar información especialmente importante del manual.



ADVERTENCIA: Indica un riesgo de lesiones o incluso de muerte del usuario o de las personas cercanas si no se respetan las instrucciones del manual.



PRECAUCIÓN: Indica un riesgo de daños en el producto, otros materiales o el área adyacente si no se respetan las instrucciones del manual.

Nota: Se usa para proporcionar más información necesaria en una situación determinada.

Advertencias generales de seguridad relacionadas con la herramienta eléctrica



ADVERTENCIA: Lea todas las advertencias de seguridad, instrucciones, ilustraciones y especificaciones que se suministran con esta herramienta eléctrica. Si no se siguen las instrucciones que aparecen a continuación, puede producirse una descarga eléctrica, un incendio o lesiones graves.

Nota: Conserve todas las advertencias e instrucciones para su consulta. El término «herramienta eléctrica» empleado en las advertencias hace referencia a una herramienta eléctrica que funciona con conexión a la red de suministro (con cable) o a una herramienta que funciona con batería (sin cable).

Otra información de seguridad general

- Si va a trasladarse de un lugar a otro, apague primero el producto. No olvide extraer la batería cuando vaya a dejar el producto a otra persona.
- Nunca ponga el producto hacia abajo, a menos que lo haya apagado y haya extraído la batería. No deje el producto desatendido mientras esté en funcionamiento.
- La herramienta de corte no se detiene inmediatamente después de apagar el producto.
- La hoja debe pararse por completo una vez que el interruptor del gatillo vuelva a su posición original.
- Antes de usar el producto, y después de cualquier impacto, compruebe que no hay signos de desgaste o daños y, si fuera necesario, repárela.
- Si algo se atasca en el equipo de corte mientras se trabaja con el producto, deténgalo y apáguelo. Asegúrese de que el equipo de corte se detiene por completo. Quite la batería antes de limpiar, inspeccionar o reparar el producto o el equipo de corte.
- Compruebe el producto antes de utilizarlo. Consulte *Descripción del producto en la página 43* y *Comprobación de la protección del equipo de corte en la página 48*. No utilice un producto defectuoso. Lleve a cabo las comprobaciones de seguridad y siga las instrucciones de mantenimiento y servicio descritas en este manual.
- Un equipo de corte defectuoso puede aumentar el riesgo de accidentes.
- Compruebe que el engranaje no tenga suciedad ni grietas. Limpie el engranaje de hierba y hojas con un cepillo. Se deben utilizar guantes cuando sea necesario.
- Asegúrese de que las aberturas de ventilación no presentan en ningún momento residuos.
- Compruebe que el cabezal de corte está bien acoplado a la recortadora.
- Todas las tapas, protecciones y mangos deben estar montados antes de arrancar la máquina.
- Controle que el producto esté en excelentes condiciones de funcionamiento. Verifique que todas las tuercas y tornillos estén apretados.
- Controle que el cabezal de corte y la protección de la recortadora no estén dañados ni presenten grietas. Cambie el cabezal de corte o la protección de la recortadora si han recibido golpes o están agrietados. Utilice siempre la protección recomendada para cada equipo de corte en particular. Consulte el capítulo Datos técnicos.
- Este producto es una herramienta peligrosa si no se usa con cuidado o si se utiliza de forma incorrecta. Este producto puede ocasionar lesiones graves o mortales tanto al operador como a cualquier otra persona.
- Este aparato no debe ser utilizado por personas (incluidos niños) con habilidades físicas, sensoriales o mentales reducidas, o con falta de experiencia y conocimientos, a menos que lo hagan con supervisión o reciban instrucción en relación con el uso del aparato por parte de una persona responsable de su seguridad. Debe vigilarse a los niños para asegurarse de que no juegan con el aparato.
- No permita nunca que los niños utilicen la máquina ni permanezcan cerca de ella. La máquina es muy fácil de arrancar y los niños podrían hacerlo si no se les vigila lo suficiente. Ello puede comportar riesgo de daños personales graves. Por consiguiente, desconecte la batería cuando la máquina no esté bajo control.
- No permita nunca que los niños ni otras personas sin formación utilicen o reparen el producto o su batería.
- El uso podría estar regulado por los reglamentos nacionales o locales. Observe los reglamentos indicados.
- Guarde el equipo en un lugar seguro fuera del alcance de los niños y las personas no autorizadas.
- La protección para transportes debe usarse siempre para el almacenamiento y el transporte.
- Asegure el producto durante el transporte.
- Mantenga las manos y los pies lejos del área de corte en todo momento y, especialmente, al encender el motor.
- Cuando el producto se desactive, mantenga las manos y los pies alejados del equipo de corte hasta que se haya detenido por completo.
- No retire el material cortado ni permita que otras personas lo retiren con el producto en marcha o el equipo de corte en funcionamiento; esto puede dar lugar a lesiones graves.
- Tenga en cuenta que es usted, como usuario, el responsable de no exponer a riesgos o accidentes a las personas y a su propiedad.
- Bajo ninguna circunstancia debe modificarse la configuración original del producto sin autorización del fabricante. Utilice siempre accesorios originales. Las modificaciones y/o la utilización de accesorios no autorizados pueden ocasionar accidentes graves o incluso la muerte del operario o de terceros. Su garantía no cubre daños o responsabilidades provocadas por la utilización de accesorios o piezas de repuesto no autorizados.
- Los únicos accesorios que pueden utilizarse con este producto son los equipos de corte que recomendamos en el capítulo Datos técnicos.

- No utilice nunca un producto que haya sido modificado y no se corresponda con la configuración original.
- No utilice nunca un producto defectuoso. Lleve a cabo las comprobaciones de seguridad y siga las instrucciones de mantenimiento y servicio de este manual. Algunas medidas de mantenimiento y servicio deben ser efectuadas por especialistas formados y cualificados. Consulte las instrucciones del apartado Mantenimiento.
- Trabajar con mal tiempo es fatigoso y a menudo añade riesgos innecesarios. Debido al riesgo añadido, no se recomienda utilizar la máquina con muy mal tiempo, por ejemplo, con niebla densa, lluvia intensa, vientos fuertes, frío extremo, riesgo de tormenta eléctrica, etc.
- No trabaje nunca desde una escalera, taburete u otra posición elevada que no tenga un apoyo completamente seguro.
- Guarde los aparatos que no esté utilizando en un recinto cerrado y a cubierto.
- Es imposible abarcar todas las situaciones en las que puede encontrarse. Utilice siempre el equipo con cuidado y sentido común. Evite todas aquellas situaciones que considere que sobrepasan sus capacidades. Si, después de leer estas instrucciones, no está seguro del procedimiento que debe seguir, consulte a un experto antes de utilizar el equipo.
- Mientras esté trabajando, evite que cualquier persona o animal se acerque a menos de 15 metros. Si varios usuarios trabajan en el mismo lugar, la distancia de seguridad debe equivaler, por lo menos, a 15 metros. De lo contrario, existe el riesgo de daños personales graves. Pare el producto inmediatamente si alguien se acerca. Nunca se dé la vuelta con el producto si no ha verificado antes que no hay nadie detrás, dentro de la zona de seguridad.
- Si algo se atasca en el equipo de corte mientras se trabaja con el producto, deténgalo y apáguelo. Asegúrese de que el equipo de corte se detiene por completo. Quite la batería antes de limpiar, inspeccionar o reparar el producto o el equipo de corte.
- Asegúrese de que nadie, ningún animal ni ningún objeto puedan afectar al control sobre el producto, y que no puedan entrar en contacto con el equipo de corte ni con objetos sueltos que salgan despedidos por la acción del equipo de corte. No use el producto a no ser que sea capaz de pedir ayuda en caso de accidente.
- Compruebe que pueda caminar y mantenerse de pie con seguridad. Observe si hay eventuales impedimentos para desplazamientos imprevistos (raíces, piedras, ramas, zanjas, etc.). Proceda con sumo cuidado al trabajar en terreno inclinado.
- Camine, en ningún caso corra.
- Inspeccione la zona de trabajo. Quite todos los materiales sueltos, como piedras, cristales rotos, clavos, alambres, cordones, etc., que puedan salir

despedidos o enredarse en la cortadora o en la protección de la cortadora.

- Tenga cuidado con los trozos de rama que pueden salir despedidos durante el corte. No corte demasiado cerca del suelo cuando haya piedras u otros objetos que puedan salir despedidos.
- Procure que ninguna prenda de vestir ni ninguna parte del cuerpo entren en contacto con el equipo de corte cuando el producto está activado. Mantenga el producto por debajo de la cintura.
- Cuidado con los objetos que salen despedidos. Se debe utilizar siempre protección ocular homologada. No se incline nunca sobre la protección del equipo de corte. La máquina puede lanzar piedras, basura, etc., contra los ojos y causar ceguera o daños graves.
- Cuando use protectores auriculares, preste siempre atención a las señales o llamadas de advertencia. Quítese siempre la protección de los oídos en cuanto se detenga el motor del producto.
- Si se producen vibraciones inusuales, extraiga más hilo hasta obtener la longitud adecuada para que las vibraciones cesen.
- Si el producto arranca con vibraciones anómalas, deténgalo y extraiga la batería.
- La sobreexposición a las vibraciones puede provocar problemas circulatorios y dolencias de carácter nervioso, especialmente en personas con patologías circulatorias. Acuda a un médico si nota síntomas que puedan relacionarse con la sobreexposición a las vibraciones. Ejemplos de tales síntomas son la pérdida de sensibilidad, el hormigueo, las «punzadas», el dolor, la pérdida o reducción de la fuerza normal o los cambios en el color y la superficie de la piel. Estos síntomas se presentan normalmente en dedos, manos y muñecas.
- Sujete siempre el producto con ambas manos. Mantenga el producto en el lado derecho del cuerpo.

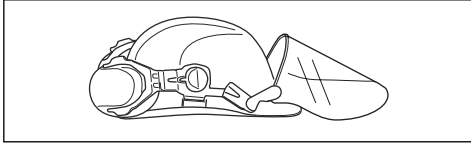
Equipo de protección personal



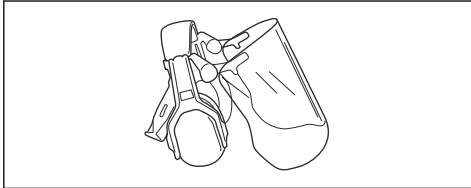
ADVERTENCIA: Lea las siguientes instrucciones de advertencia antes de utilizar el producto.

- Para trabajar con el producto, debe utilizar siempre un equipo de protección personal homologado. El equipo de protección personal no elimina completamente el riesgo de lesiones, pero reduce la gravedad de las lesiones en caso de accidente. Deje que el distribuidor le ayude a seleccionar el equipo adecuado.

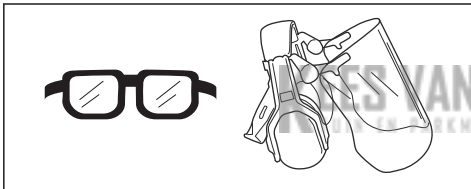
- Use un casco protector cuando exista el riesgo de que caigan objetos.



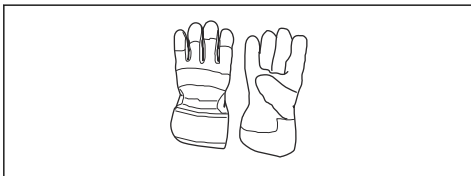
- Use protectores auriculares homologados con suficiente capacidad de reducción sonora. La exposición prolongada al ruido puede causar daños crónicos en el oído.



- Utilice protección ocular homologada. Si se utiliza visor, deben utilizarse también gafas protectoras homologadas. Por gafas protectoras homologadas se entienden las que cumplen con la norma ANSI Z87.1 para EE. UU. o EN 166 para países de la UE.



- Utilice guantes cuando sea necesario, por ejemplo, para el montaje, inspección o limpieza del equipo de corte.



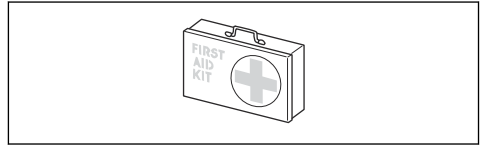
- Utilice botas antideslizantes y seguras.



- Use indumentaria de material resistente. Use siempre pantalones largos y gruesos, y mangas largas. No lleve ropa suelta que pueda quedar

atrapada en los arbustos y ramas. No trabaje con joyas, pantalones cortos, sandalias ni los pies descalzos. Recójase el pelo por encima de los hombros.

- Mantenga el equipo de primeros auxilios cerca.



Dispositivos de seguridad en el producto



ADVERTENCIA: Lea las siguientes instrucciones de advertencia antes de utilizar el producto.

En este apartado se describen los componentes de seguridad del producto, su función y el modo de efectuar el control y el mantenimiento para garantizar un funcionamiento óptimo. Consulte las instrucciones bajo el título *Introducción en la página 43* para ver dónde están situados estos componentes en su máquina.

La vida útil del producto puede acortarse y el riesgo de accidentes puede aumentar si el mantenimiento no se hace de forma adecuada y si los trabajos de servicio y reparación no se efectúan de forma profesional. Si necesita más información, solicítela al distribuidor de su zona



ADVERTENCIA: No emplee nunca un producto con equipo de seguridad defectuoso. Efectúe la inspección y el mantenimiento del equipo de seguridad del producto tal como se describe en este apartado. Si el producto no supera cualquiera de estas pruebas, póngase en contacto con el taller de servicio para repararla.



PRECAUCIÓN: Todos los trabajos de servicio y reparación de la máquina requieren una formación especial. Esto es especialmente cierto en lo que respecta al equipo de seguridad del producto. Si la máquina no pasa alguno de los controles indicados a continuación, acuda a su taller de servicio local. La compra de alguno de nuestros productos le garantiza que puede recibir un mantenimiento y servicio profesional. Si no ha adquirido la máquina en una de nuestras tiendas especializadas con servicio, solicite información sobre el taller de servicio más cercano.

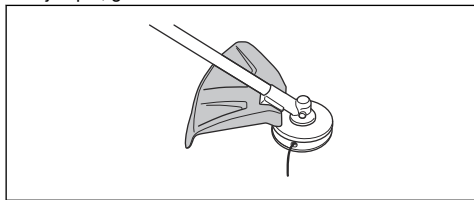
Comprobación de la protección del equipo de corte



ADVERTENCIA: No utilice un equipo de corte si no está equipado con una protección homologada y debidamente montada. Utilice siempre la protección del equipo de corte recomendada para el equipo de corte que esté utilizando; consulte *Accesorios en la página 56*. Si se monta una protección del equipo de corte incorrecta o defectuosa, esto puede causar daños personales graves.

La protección del equipo de corte evita que los objetos salgan despedidos hacia el usuario. También evita daños al impedir el contacto con el equipo de corte.

1. Pare el motor.
2. Compruebe visualmente si hay daños como, por ejemplo, grietas.



3. Si la protección del equipo de corte está dañada, cámbiela.

Instrucciones de seguridad para el montaje



ADVERTENCIA: Lea detenidamente, entienda y cumpla estas instrucciones antes de utilizar el producto.

- Retire la batería del producto antes de montarlo.
- Utilice guantes protectores homologados.
- Una protección defectuosa o incorrecta puede causar lesiones. No utilice un accesorio de corte que no disponga de una protección homologada.

Montaje

Montaje del asa



ADVERTENCIA: El asa debe fijarse en el mango cerrado en caso de que desee utilizar el producto con cualquier equipo de corte metálico recomendado.

- Asegúrese de montar la cubierta y el eje correctos antes de poner en marcha el producto.
- El disco de arrastre y la brida de apoyo deben acoplarse correctamente en el orificio central del equipo de corte. Un equipo de corte mal acoplado puede provocar lesiones o la muerte.
- Para utilizar el producto de forma segura y evitar daños al usuario o a otras personas, el producto debe estar bien sujeto con el arnés.

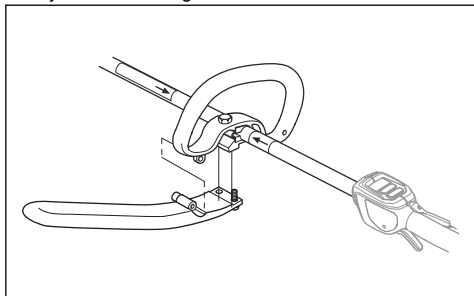
Instrucciones de seguridad para el mantenimiento



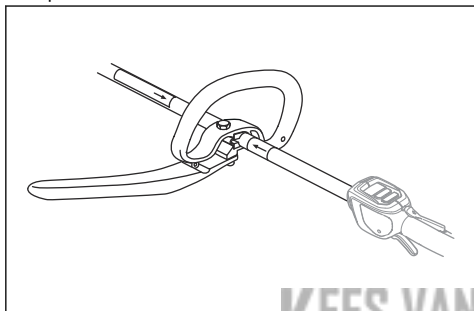
ADVERTENCIA: Lea las instrucciones de advertencia siguientes antes de realizar el mantenimiento del producto.

- Retire la batería antes de realizar tareas de mantenimiento, otras comprobaciones o montar el producto.
- El usuario debe realizar solo el mantenimiento y las reparaciones indicadas en este manual. Acuda a su taller de servicio autorizado para las tareas de mantenimiento y reparaciones más importantes.
- No limpie la batería o el cargador con agua. Los detergentes agresivos pueden provocar daños en el plástico.
- Si no se realiza el mantenimiento, el ciclo de vida del producto disminuye y aumenta el riesgo de accidentes.
- Para realizar todos los trabajos de mantenimiento y reparación, especialmente en los dispositivos de seguridad en el producto, es necesaria una formación especial. Si no están aprobadas todas las comprobaciones de este manual de usuario después de realizar tareas de mantenimiento, acuda al taller de su distribuidor local. Le garantizamos que realizarán reparaciones y mantenimiento profesionales en su producto.

1. Fije el asa al mango cerrado con 3 tornillos.

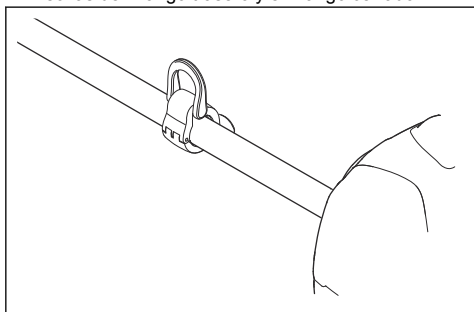


2. Ajuste el producto en una posición que le resulte cómoda.
3. Apriete los tornillos.



Instalación del gancho de sujeción del arnés (si procede)

1. Instale el gancho de sujeción del arnés entre las flechas del mango trasero y el mango cerrado.



Nota: No coloque el mango cerrado sobre la etiqueta.

2. Ajuste la argolla de tal forma que el producto quede equilibrado y sea fácil de usar.

Montaje del equipo de corte

Junto al equipo de corte se incluye una protección para el equipo de corte.



ADVERTENCIA: Utilice guantes protectores.



ADVERTENCIA: Utilice siempre la protección del equipo de corte recomendada para dicho equipo. Consulte *Datos técnicos en la página 55*.

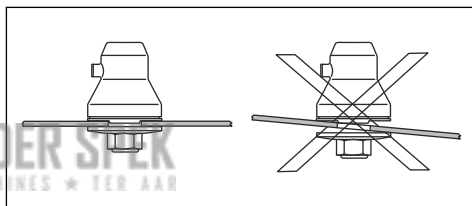


ADVERTENCIA: Un equipo de corte mal montado puede provocar lesiones o la muerte.

Montaje de las cuchillas



ADVERTENCIA: Al instalar el equipo de corte, es sumamente importante que la sección elevada del disco de arrastre/brida de apoyo quede bien colocada en el orificio central del equipo de corte. Un equipo de corte mal instalado puede causar daños personales graves y/o mortales.

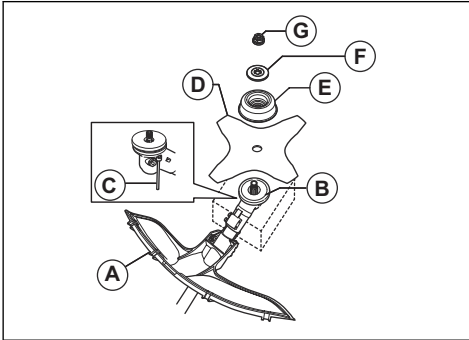


ADVERTENCIA: Bajo ninguna circunstancia se puede utilizar un equipo de corte sin haber montado antes la protección recomendada. Consulte el capítulo Datos técnicos. Si se instala una protección incorrecta o defectuosa, o si falta el asa al usar un equipo de corte metálico, pueden producirse daños personales graves.

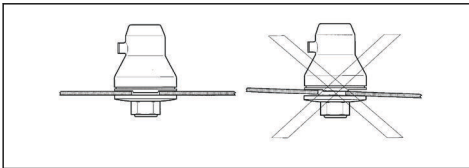
Montaje de la hoja para hierba

1. Coloque el engranaje del producto en una superficie plana para asegurarse de que la hoja se monta correctamente.
2. Gire el eje de salida hasta para alinear uno de los orificios del disco de arrastre (B) con el orificio correspondiente de la caja de engranajes.
3. Introduzca el pasador de seguridad (C) en el orificio para bloquear el eje.

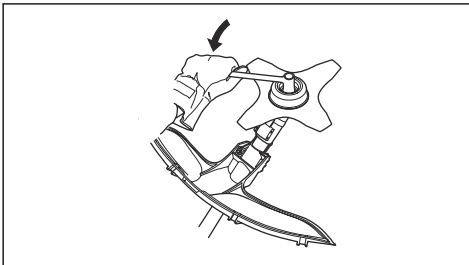
- Coloque la hoja para hierba (D), la cazoleta de apoyo (E) y la brida de apoyo (F) en el eje de salida.



- Asegúrese de que el disco de arrastre y la brida de apoyo se acoplan correctamente en el orificio central de la hoja para hierba.



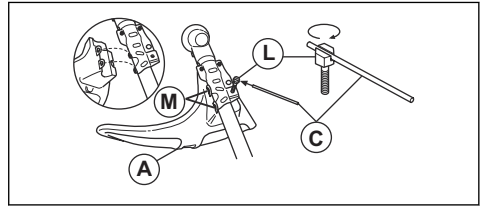
- Coloque la tuerca (G).
- Apriete la tuerca con la llave de cubo. Sujete la llave cerca de la protección de la hoja. Para apretar, gire en la dirección opuesta a la de giro del equipo de corte. Apriete a un par de 35-50 Nm.



Montaje de la protección de la recortadora para el cabezal de corte

- Enganche la protección de la recortadora (A) en ambos ganchos del soporte de la placa (M).

- Doble la protección en torno al eje y móntela con el perno (L) en el lado opuesto del eje.
- Coloque el pasador de bloqueo (C) en la ranura de la cabeza del perno y apriete el perno por completo.



Hoja de hierba

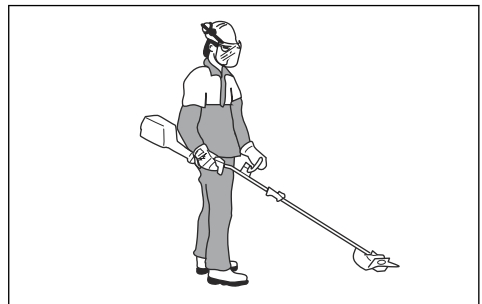
- Utilice hojas bien afiladas. Una hoja mal afilada o dañada aumenta el riesgo de lesiones.
- Utilice hojas bien ajustadas. Una hoja está bien ajustada a 1 mm. Una hoja mal ajustada aumenta el riesgo de lesiones y daños.
- Para afilar y ajustar correctamente la hoja, consulte las instrucciones que se suministran con ella.

Equilibrado del producto



ADVERTENCIA: Use siempre el arnés cuando utilice el producto. El arnés proporciona el máximo control del producto y reduce el riesgo de sufrir fatiga en los brazos y en la espalda.

- Colóquese el arnés.
- Conecte el gancho de sujeción del producto al arnés y mantenga el equipo de corte paralelo al suelo.
- El producto está bien equilibrado si la hoja se encuentra a la altura de corte cerca del suelo.



Funcionamiento

Introducción



ADVERTENCIA: Asegúrese de leer y comprender el capítulo sobre seguridad antes de usar el producto.

Ajuste del arnés



ADVERTENCIA: Conecte siempre este producto en el arnés correctamente. En caso contrario, el producto no se puede controlar de manera segura y puede provocar lesiones al usuario u otras

personas. No use un arnés con un cierre de liberación rápida defectuoso.



ADVERTENCIA: Si se produce una emergencia, suelte el arnés y el producto y deje que caigan al suelo.

1. Colóquese el arnés.
2. Regule el arnés para obtener una postura de trabajo óptima.
3. Ajuste el arnés de manera que el equipo de corte quede paralelo al suelo.



4. Si va a utilizar el producto para cortar hierba, apoye ligeramente el equipo de corte en el suelo. Ajuste la abrazadera del arnés para equilibrar el producto correctamente.

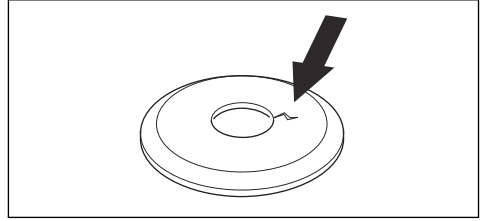
Posición de trabajo

- Sujete el producto con las 2 manos.
- Mantenga el producto en el lado derecho del cuerpo.
- Mantenga el equipo de corte por debajo de la cintura.
- Mantenga cualquier parte del cuerpo alejada de las superficies calientes.
- Mantenga cualquier parte del cuerpo alejada del equipo de corte.

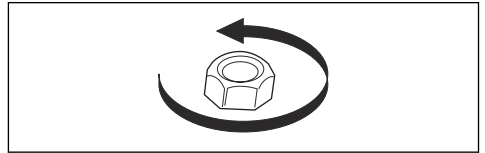
Antes de utilizar el producto

- Examine la zona de trabajo para asegurarse de que conoce el tipo de terreno y la pendiente, y para verificar si hay obstáculos como piedras, ramas y zanjas.
- Realice una inspección general del producto.
- Lleve a cabo las inspecciones de seguridad, y las labores de mantenimiento y servicio que se indican en este manual.
- Asegúrese de que todas las cubiertas, protecciones y empuñaduras, y el equipo de corte estén bien montados y no presenten daños.
- Asegúrese de que no haya grietas en la parte inferior de los dientes de la hoja para hierba ni en el orificio central de la hoja. Sustituya la hoja si está dañada.

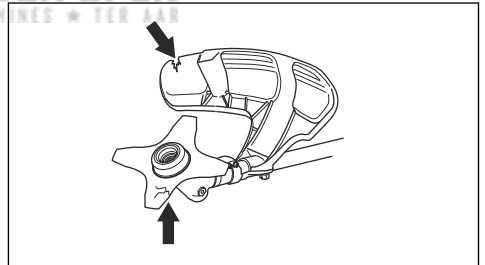
- Examine la brida de apoyo para detectar posibles grietas. Sustituya la brida de apoyo si está dañada.



- Asegúrese de que la contratuerca no pueda retirarse a mano. Si puede quitarla a mano, no fijará debidamente el equipo de corte y será necesario cambiarla.



- Inspeccione la protección de la hoja para comprobar si presenta daños o grietas. Sustituya la protección de la hoja si ha recibido golpes o si tiene grietas.
- Examine el cabezal de corte y la protección del equipo de corte para comprobar si presenta daños o grietas. Cambie el cabezal de corte y la protección del equipo de corte si han recibido golpes o si presentan grietas.



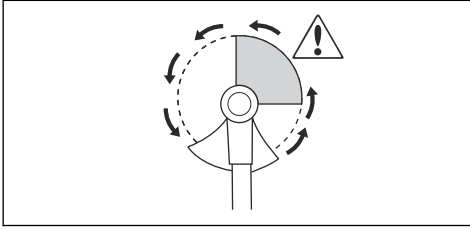
Lanzada de hoja



ADVERTENCIA: La lanzada de hoja se produce cuando el producto se mueve hacia un lado de forma rápida y con fuerza. Una lanzada de hoja se produce cuando la hoja para hierba golpea o se engancha en un objeto que no puede cortar. Una lanzada de hoja puede hacer que el producto o el usuario salgan despedidos en cualquier dirección. El usuario o las personas que se encuentren cerca pueden sufrir lesiones. El riesgo aumenta en lugares donde no se ve claramente el material que se debe cortar. No corte con la zona de la hoja que aparece en gris en la ilustración. La velocidad y el movimiento de la hoja pueden provocar el

efecto de lanzada de hoja. El riesgo aumenta cuanto mayor es el grosor del tallo que se va a cortar.

- Antes de recoger el material cortado, pare el motor y desmonte el producto del arnés. Coloque el producto en el suelo.



Para desbrozar hierba con una hoja para hierba

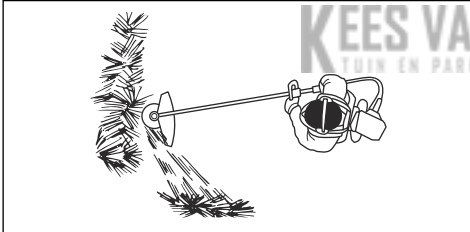
1. Las hojas y cuchillas para hierba no deben utilizarse para tallos leñosos.
2. Para todo tipo de hierba alta o gruesa se utiliza la hoja para hierba.
3. Corte la hierba con un movimiento de barrido pendular, dónde el movimiento de derecha a izquierda es el de desbroce y el de izquierda a derecha, el de retorno. Haga trabajar a la parte izquierda de la hoja (entre las 8 y las 12 del reloj).
4. Si al desbrozar la hierba la hoja es inclinada un poco hacia la izquierda, la hierba se acumula en una hilera que es más fácil de juntar posteriormente, por ejemplo al rastillar.
5. Trate de trabajar siguiendo un ritmo. Párese firmemente con las piernas abiertas. Avance después del movimiento de retorno y párese nuevamente con firmeza.
6. Deje que la cazoleta de apoyo toque ligeramente el suelo. Su función es evitar que la hoja corte en el suelo.
7. Para reducir el riesgo de que se enrolle material alrededor de la hoja, trabaje siempre a la velocidad máxima y evite el material cortado previamente durante el movimiento de retorno.
8. Pare el motor, afloje el arnés y apoye la máquina en el suelo antes de recoger la vegetación cortada.

Desbroce de hierba con hoja para hierba



PRECAUCIÓN: No utilice hojas para hierba ni cuchillas para hierba con tallos leñosos. Utilice hojas para hierba y cuchillas para hierba solo para hierba abundante o larga.

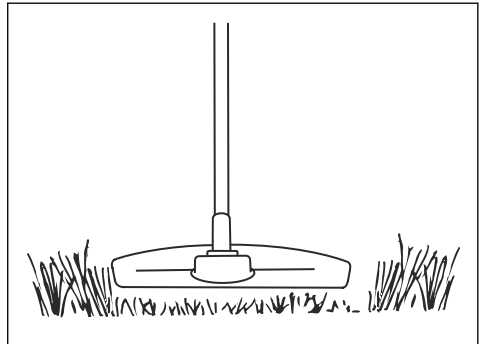
- Mueva el producto de lado a lado.
- Al cortar, el movimiento debe efectuarse de derecha a izquierda. Antes de cortar de nuevo, mueva el producto hacia la derecha.
- Efectúe el corte con el lado izquierdo de la hoja para hierba.



- Incline la hoja para hierba hacia la izquierda para que la hierba caiga en una hilera. Así será más fácil recoger la hierba.
- Mantenga una posición estable con los pies separados.
- Avance cada vez que mueva el producto hacia la derecha y asegúrese de encontrarse en una posición estable antes de proceder de nuevo con el corte.
- Ejercer una ligera presión sobre el suelo con la cazoleta de apoyo para que la hoja para hierba no golpee el suelo.
- Obedezca estas instrucciones para reducir el riesgo de que el material cortado se enrede alrededor de la hoja para hierba:
 - a) Acelere al máximo.
 - b) No haga pasar la hoja para hierba por el material cortado cuando mueva el producto de izquierda a derecha.

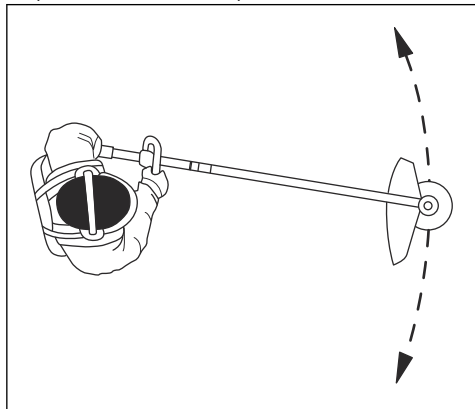
Para cortar la hierba

1. Asegúrese de que el hilo de corte de la recortadora de césped esté paralelo al suelo cuando corte.



2. No empuje el cabezal de corte contra el suelo. El suelo y el producto pueden resultar dañados.
3. No deje que el cabezal de corte toque el suelo continuamente; puede dañarse el cabezal de corte.

4. Utilice la velocidad máxima cuando mueva el producto de lado a lado para cortar hierba.



Asegúrese de que el hilo de corte de la recortadora de césped esté paralelo al suelo.

Barrer la hierba

El flujo de aire que genera el hilo de corte al girar puede usarse para retirar la hierba cortada de una zona.

1. Mantenga el cabezal de corte y el hilo paralelos al suelo sin llegar a tocarlo.
2. Acelere al máximo.
3. Mueva el cabezal de corte de lado a lado para barrer la hierba.



ADVERTENCIA: Limpie la cubierta del cabezal de corte cada vez que coloque hilo de corte nuevo para evitar que las empuñaduras pierdan equilibrio y generen vibraciones. Revise también el resto de componentes del cabezal de corte y límpielos si es necesario.

Mantenimiento

Introducción



ADVERTENCIA: Antes de realizar cualquier trabajo de mantenimiento, debe leer y entender el capítulo sobre seguridad.

Programa de mantenimiento



ADVERTENCIA: Extraiga la batería antes de realizar tareas de mantenimiento.

A continuación incluimos una lista con los pasos de mantenimiento que hay que efectuar en el producto.

| Mantenimiento | Diario | Semanal | Mensual |
|--|--------|---------|---------|
| Limpie la parte exterior del producto con un trapo seco. No utilice agua. | X | | |
| Asegúrese de que el equipo de corte no esté dañado. Si el equipo de corte está dañado, cámbielo. | X | | |
| Asegúrese de que la protección del equipo de corte no esté dañada. Si la protección del equipo de corte está dañada, cámbiela. | X | | |
| Asegúrese de que los tornillos y las tuercas están bien apretados. | X | | |
| Controle que el engranaje angulado tenga grasa hasta las 3/4 partes. Si es necesario llene con grasa especial. | | X | |

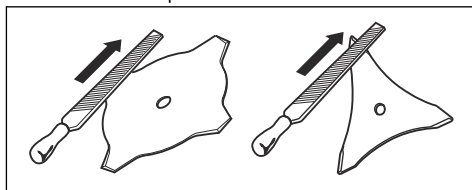
Aflar la cuchilla para hierba y la hoja para hierba



ADVERTENCIA: Pare el motor. Utilice guantes protectores.

- Para afilar correctamente la cuchilla para hierba o la hoja para hierba, consulte las instrucciones que se incluyen con el equipo de corte.

- Afile todos los bordes por igual para mantener el equilibrio.
- Utilice una lima plana con dentado recto.



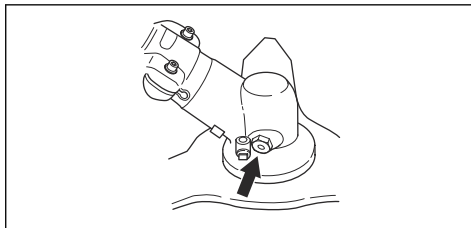


ADVERTENCIA: Si una hoja está dañada, deje de usarla. No intente enderezar una hoja doblada o torcida para volver a usarla.

Engranaje angulado

El engranaje angulado se llena de fábrica $\frac{3}{4}$ con grasa. Antes de utilizarlo, asegúrese de que el nivel de grasa no haya cambiado. Use grasa especial Husqvarna si es necesario rellenar. No cambie la grasa del engranaje

angulado. Encomiende la reparación del engranaje angulado al personal de mantenimiento.



KEES VAN DER SPEK
TUIN EN PARKMACHINES ★ TER AAR

Datos técnicos

Datos técnicos

| | |
|---|---------|
| 325iLK + Accesorio de desbrozadora BCA850 | |
| Motor | |
| Velocidad en el eje de salida, 1/min ¹³ | 5800 |
| Peso | |
| Peso, kg | 3,7+1,6 |
| Tronzado | |
| Anchura de corte, mm | Ø 255 |
| Emisiones de ruido¹⁴ | |
| Nivel de potencia acústica medida, dB(A) | 95 |
| Nivel de potencia acústica garantizado L _{WA} dB(A) | 96 |
| Niveles de ruido¹⁵ | |
| Nivel de presión sonora equivalente en el oído del usuario, medido conforme a ISO 22868, dB(A): | |
| Equipada con cabezal de corte (original) | 82 |
| Niveles de vibraciones¹⁶ | |
| Niveles de vibración en las empuñaduras, medidos conforme a ISO 22867, m/s ² | |
| Equipada con hoja recortadora (original), izquierda/derecha. | 3,3/1,5 |

¹³ Revoluciones por minuto

¹⁴ Emisiones sonoras en el entorno medidas como potencia acústica (LWA) según la directiva CE 2000/14/CE. El nivel referido de potencia sonora de la máquina se ha medido con el equipo de corte original que produce el nivel más elevado. La diferencia entre la potencia sonora garantizada y medida es que la potencia sonora garantizada también incluye la dispersión en el resultado de la medición y las variaciones entre diferentes máquinas del mismo modelo, según la directiva 2000/14/CE.

¹⁵ Los datos relativos al nivel de presión sonora de la máquina tienen una dispersión estadística habitual (desviación estándar) de 3 dB(A) y se han medido con el accesorio original que produce el nivel más elevado.

¹⁶ Los datos referidos del nivel de vibración presentan una dispersión estadística habitual (desviación típica) de 2 m/s². Para comparar los niveles de vibraciones en los productos con batería y los productos de combustión, utilice la calculadora de vibraciones: <https://www.husqvarna.com/uk/services-solutions/vibration-calculator/>.

Accesorios

Accesorios

| Accesorios homologados con el equipo BCA850 | Tipo de accesorio | Protección del equipo de corte, n.º de referencia |
|---|---|---|
| Rosca para eje de hoja M10 | | |
| Orificio central en hojas/cuchillas Ø 25,4 mm | | |
| Hoja para hierba/cortadora para hierba | Hoja para hierba 255-4, 1" (Ø 255, 4 dientes) | 588 11 79-01 |

KEES VAN DER SPEK
TUIN EN PARKMACHINES ★ TER AAR

Declaración de conformidad CE

Declaración de conformidad CE

Husqvarna AB, SE-561 82 Huskvarna, Sweden, tel: +46-36-146500, declara que el accesorio de desbrozadora Husqvarna BCA850 con los números de serie a partir de 2019 (el año se indica claramente en la placa de características, seguido del número de serie), junto con el cabezal de corte 325iLK, cumple con las disposiciones de la DIRECTIVA DEL CONSEJO:

- Del 17 de mayo de 2006 "relativa a máquinas", **2006/42/CE**.
- Del 26 de febrero de 2014 "relativa a compatibilidad electromagnética", **2014/30/UE**.
- Del 8 de mayo de 2000 "relativa a emisiones sonoras en el entorno", **2000/14/CE**.
- Del 8 de junio de 2011 "relativa a restricciones de utilización de determinadas sustancias peligrosas en aparatos eléctricos y electrónicos" **2011/65/UE**.

Se han aplicado las normas siguientes: IEC 62841-1:2014, EN ISO 11806-1:2011, EN 50581:2012

RISE SMP Svensk Maskinprovning AB, Box 7035, SE-750 07 Uppsala, Sweden, Box 7035, SE-750 07 Uppsala, Sweden, ha efectuado el examen de tipo CE conforme a la Directiva relativa a las máquinas (2006/42/CE), artículo 12, apartado 3b. El certificado tiene el número:

RISE SMP Svensk Maskinprovning AB ha comprobado también la conformidad con el apéndice V de la Directiva del Consejo 2000/14/CE. El certificado tiene el número: 01/1610/010

Para obtener información respecto a las emisiones sonoras, consulte *Datos técnicos en la página 55*.

Huskvarna



Pär Gustafsson, director de desarrollo (representante autorizado de Husqvarna AB y responsable de la documentación técnica)

Sisältö

| | | | |
|-------------------|----|--------------------------------------|----|
| Johdanto..... | 58 | Huolto..... | 67 |
| Turvallisuus..... | 59 | Tekniset tiedot..... | 68 |
| Asentaminen..... | 63 | Lisävarusteet..... | 69 |
| Käyttö..... | 65 | EY-vaatimustenmukaisuusvakuutus..... | 70 |

Johdanto

Tuotekuvaus

Kehitämme jatkuvasti tuotteitamme ja pidätämme siksi itsellämme oikeuden muuttaa tuotteiden muotoa ja ulkonäköä ilman ennakoilmoitusta.

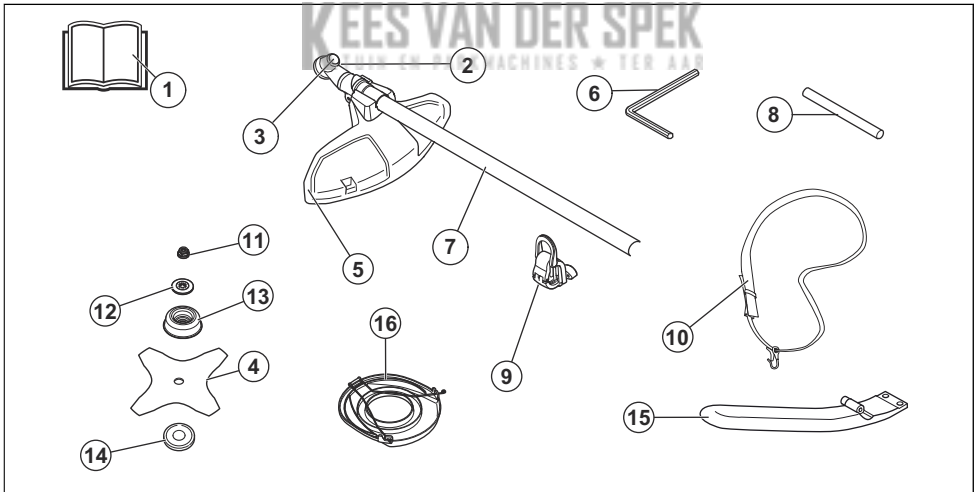
Huomautus: Tässä oppaassa käsitellään akkukäyttöisiä käyttöagregaatteja.

Käyttötarkoitus



VAROITUS: Tätä lisälaitetta saa käyttää vain sille tarkoitettussa laitteessa. Katso

Laitteen kuvaus



1. Käyttöohjekirja
2. Kulmavaihte
3. Aukko lukkotappia varten
4. Ruohoterä
5. Terälaitteen suoju
6. Kuusiokoloavain, 4 mm
7. Runkoputki
8. Lukkotappi

9. Valjaiden ripustuskoukku
10. Valjaat
11. Lukkomutteri
12. Tukilaippa
13. Tukikuppi
14. Jousilevy
15. J-kahva
16. Kuljetussuojus

Laitteen symbolit



VAROITUS! Tämän lisälaitteen huolimaton käyttö tai väärinkäyttö voi aiheuttaa käyttäjälle tai sivullisille vakavan tai hengenvaarallisen tapaturman.



Käytä suojakypärää paikoissa, joissa päällesi voi pudota esineitä. Käytä hyväksytyjä kuulonsuojaimia. Käytä hyväksytyjä silmäsuojaimia.



Käyttöakselin enimmäisnopeus.



Pida kaikki kehon osat poissa kuumilta pinnoilta.



Laitte voi saada esineitä sinkoutumaan, mikä aiheuttaa vammoja.



Takapotkun vaara, jos terävarustus osuu esineeseen, jota se ei välittömästi leikkaa. Laitte voi katkaista ruumiinosia. Pysy vähintään 15 metrin etäisyydellä ihmisistä ja eläimistä laitteen käytön aikana.



Käytä hyväksytyjä suojakäsineitä.



Käytä kestäviä luistamattomia jalkineita.



Käyttäjän on varmistettava, että ihmiset ja eläimet ovat vähintään 15 metrin päässä laitteesta työn aikana. Kun useita laitteita käytetään samassa paikassa, on käyttäjien välisen turvaetäisyyden oltava vähintään 15 metriä. Lisälaitte voi singota rajulla voimalla esineitä, jotka voivat kimmota takaisin. Se voi johtaa vakaviin silmävammoihin, mikäli suositeltuja suojaimia ei käytetä.



Melupäästöt ympäristöön Euroopan yhteisön direktiivin mukaisesti. Lisälaitteen päästöt ilmoitetaan luvussa Tekniset tiedot ja arvokilvessä.

yyyywwxxxx

Sarjanumero on tyyppikilvessä. **yyyy** tarkoittaa valmistusvuotta ja **ww** valmistusviikkoa. **xxxx** on laitteen sarjanumero.

Huomautus: Muita laitteen symboleita/tarroja tarvitaan muilla markkina-alueilla ilmaisemaan sertifiointivaatimuksia.

Valmistaja

Husqvarna AB

Drottninggatan 2, SE-561 82 Huskvarna, Sweden, tel: +46-36-146500

Turvallisuus

Turvallisuusmääritelmät

Varoituksia, huomioita ja huomautuksia käytetään, kun jotakin käyttöohjeen osaa halutaan erityisesti korostaa.



VAROITUS: Tätä käytetään, jos käyttöohjeen noudattamatta jättämisestä voi seurata käyttäjän tai sivullisen vamma tai kuolema.



HUOMAUTUS: Tätä käytetään, jos käyttöohjeen noudattamatta jättämisestä voi ympäristön vaurioituminen.

Huomautus: Tätä käytetään tietyissä tilanteissa tarvittavien lisätietojen antamiseen.

Yleiset sähkötyökaluja koskevat varoitukset



VAROITUS: Lue kaikki tämän sähkötyökalun mukana tulevat turvavaroitukset, ohjeet, kuvat ja tekniset tiedot. Alla olevien ohjeiden noudattamatta jättäminen voi johtaa sähköiskuun, tulipaloon ja/tai vakavaan tapaturmaan.

Huomautus: Säädä kaikki varoitukset ja ohjeet tulevaa käyttöä varten. Varoituksissa termillä "sähkötyökalu" tarkoitetaan verkkosähköllä toimivaa (johdollista) sähkötyökalua tai akkukäyttöistä (johdotonta) sähkötyökalua.

Muita yleisiä turvaohjeita

- Sammuta laite, kun siirryt alueelta toiselle. Irrota akku aina ennen kuin luovutat laitteen toisen käyttäjän käyttöön.
- Älä koskaan laske laitetta maahan, ellet ole pysäytänyt sitä ja poistanut akkua. Valvo laitetta aina, kun se on käynnissä.
- Leikkuulaite ei pysähdy välittömästi laitteen sammuttamisen jälkeen.
- Terän pitäisi olla kokonaan pysähtynyt, kun liipaisukytkin on palannut alkuperäiseen asentoonsa.
- Tarkista laite kulumisen ja vaurioiden varalta aina ennen käyttöä ja minkä tahansa laitteeseen kohdistuneen iskun jälkeen. Korjaa viat tarvittaessa.
- Jos terälaitteeseen tarttuu jotain käytön aikana, pysäytä ja sammuta laite. Varmista, että terälaite pysähtyy kokonaan. Poista akku ennen kuin puhdistat, tarkistat tai korjaat laitetta ja/tai terälaitetta.
- Tarkista laite ennen käyttöä. Katso kohdat *Laitteen kuvaus sivulla 58* ja *Terälaitteen suojuksen tarkastaminen sivulla 62*. Älä käytä vaurioitunutta laitetta. Noudata tässä käyttöohjeessa annettuja turvallisuustarkastuksia, kunnossapitoa ja huoltoa koskevia ohjeita.
- Viallinen terälaite voi lisätä onnettomuuksien vaaraa.
- Tarkista vaihde lian ja murtumien varalta. Poista ruoho ja lehdet vaihteesta harjalla. Käytä käsineitä aina tarvittaessa.
- Varmista aina, että ilmanottoaukot ovat puhtaat, eikä niissä ole likaa.
- Varmista, että siimapää on asianmukaisesti kiinnitetty trimmeriin.
- Kaikki kannet, suojuokset ja kahvat on kiinnitettävä ennen käynnistystä.
- Tarkista, että laite on moitteettomassa kunnossa. Tarkista, että kaikki mutterit ja ruuvit on kiristetty.
- Tarkista, että siimapää ja trimmerin suojuos ovat ehjiä eikä niissä ole halkeamia. Vaihda siimapää tai siimapään suojuos, jos siihen on kohdistunut iskuja tai siinä on halkeamia. Käytä aina ko. terälaitteelle suositeltua teräsuojusta. Katso luku Tekniset tiedot.
- Tämä laite on vaarallinen työkalu, jos sitä käytetään huolimattomasti tai väärin. Tämä laite voi aiheuttaa käyttäjälle tai sivullisille vakavia vahinkoja tai kuoleman.
- Laitetta eivät saa käyttää henkilöt (lapset mukaan lukien), joiden fyysinen, aistinvarainen tai henkinen toimintakyky on alentunut. Laitetta eivät myöskään saa käyttää henkilöt, joilla ei ole riittävää kokemusta tai taitoja laitteen käyttöön, elleivät he ole saaneet ohjausta tai ohjeita heidän turvallisuudestaan vastaavalta henkilöltä. Lapsia on valvottava, jotta voidaan varmistaa, etteivät he leiki laitteella.
- Älä anna koskaan lasten käyttää laitetta tai oleskella sen läheisyydessä. Koska laite on helppo käynnistää, myös lapset saattavat pystyä käynnistämään sen, ellei heitä valvota. Tämä voi

- johtaa vakaviin henkilövahinkoihin. Irrota sen vuoksi akku aina, kun laite on ilman valvontaa.
- Älä koskaan anna lasten tai henkilöiden, joille ei ole annettu laitteen ja/tai akun käyttökoulutusta, käyttää tai korjata sitä.
- Käyttöä säädellään mahdollisesti kansallisilla tai paikallisilla määräyksillä. Noudata ilmoitettuja määräyksiä.
- Säilytä laite lukitussa tilassa niin, että se on lasten ja asiaankuulumattomien henkilöiden ulottumattomissa.
- Kuljetussuojusta on aina käytettävä säilytyksen tai kuljetuksen aikana.
- Varmista laitteen kiinnitys kuljetuksen aikana.
- Pidä jalat ja kädet aina poissa leikkuualueelta, erityisesti silloin, kun käynnistät moottorin.
- Kun laite on sammutettu, pidä kädet ja jalat etäällä terälaitteesta, kunnes se on täysin pysähtynyt.
- Älä poista tai anna muiden poistaa leikkuujätettä, kun laite käy tai terälaite pyörii, sillä seurauksena voi olla vakavia vammoja.
- Muista, että sinä käyttäjänä olet vastuussa siitä, ettet altista ihmisiä tai heidän omaisuuttaan vahingoille tai niistä johtuville vaaroille.
- Laitteen rakennetta ei missään tapauksessa saa muuttaa ilman valmistajan lupaa. Käytä aina alkuperäisiä lisävarusteita. Hyväksymättömien muutosten ja/tai lisävarusteiden käyttö voi aiheuttaa käyttäjälle tai muille vakavia vahinkoja tai kuoleman. Takuu ei välttämättä kata hyväksymättömien lisävarusteiden tai varaosien käytöstä aiheutuneita vaurioita tai vastuuta.
- Ainoat lisälaitteet, joita tämän laitteen kanssa saa käyttää, ovat luvussa Tekniset tiedot suosittelemamme terälaitteet.
- Älä koskaan käytä laitetta, jota on muutettu niin, ettei sen rakenne enää ole alkuperäinen.
- Älä koskaan käytä viallista laitetta. Noudata tässä käyttöohjeessa annettuja turvallisuustarkastuksia, kunnossapitoa ja huoltoja koskevia ohjeita. Tietyt kunnossapito- ja huoltotyöt on annettava koulutettujen ja pätevien asiantuntijoiden tehtäviksi. Katso ohjeet kohdasta Kunnossapito.
- Huonossa säässä työskentely on välttävää, ja siihen liittyy usein riskitekijöitä. Riskitekijöiden takia laitetta ei ole suositeltavaa käyttää huonoissa sääolosuhteissa, kuten sumuisella tai sateisella säällä, kovalla tuulella, erittäin kylmällä säällä tai ukkosella.
- Älä koskaan työskentele tikkailta tai muulta huonosti kiinnitetyltä korkealta paikalta.
- Säilytä käyttämättömiä laitteita sisätiloissa – laitteita on säilytettävä sisätiloissa, kun ne eivät ole käytössä
- On mahdotonta kuvata kaikkia mahdollisia tilanteita, joita laitteen käytössä voi ilmetä. Ole aina varovainen ja käytä tervettä järkeä. Vältä tilanteita, mihin et katso taitosi riittävän. Mikäli olet vielä näiden ohjeiden lukemisen jälkeen epävarma menettelytavoista, sinun on kysyttävä neuvoa asiantuntijalta ennen jatkamista.

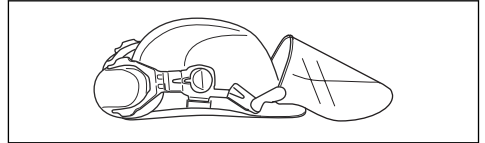
- Huolehdi siitä, että ihmiset ja eläimet ovat työn aikana vähintään 15 metrin päässä laitteesta. Kun useampia käyttäjiä työskentelee samalla työalueella, on turvaetäisyyden oltava vähintään 15 m. Muuten vaarana ovat vakavat henkilövahingot. Sammuta laite välittömästi, jos joku tulee lähemmäs. Älä käännä laitteen kanssa ympäri tarkistamatta ensin, ettei turva-alueella ole ketään.
- Jos terälaitteeseen tarttuu jotain käytön aikana, pysäytä ja sammuta laite. Varmista, että terälaitte pysähtyy kokonaan. Poista akku ennen kuin puhdistat, tarkistat tai korjaat laitetta ja/tai terälaitetta.
- Varmista, etteivät ihmiset, eläimet tai muut tekijät pääse vaikuttamaan laitteen hallintaan tai joutu kosketuksiin terälaitteen tai terälaitteesta sinkoutuvien irtonaisten esineiden kanssa. Älä kuitenkaan käytä laitetta, ellei sinulla ole mahdollisuutta kutsua apua onnettomuustapauksessa.
- Varmista, että voit siirtyä ja seisoa turvallisesti. Tarkista, onko ympäristössä esteitä (juuria, kiviä, oksia, kuoppia, oja jne.) äkilliselle siirtymiselle. Ole erittäin varovainen työskennellessäsi viettävässä maastossa.
- Liiku kävelyvauhtia, ei juosten.
- Tarkista työskentelyalue. Poista kaikki irralliset esineet, kuten kivet, lasinsirpaleet, naulat, rautalangat, narut ja vastaavat, jotka voivat sinkoutua liikkeelle tai kietoutua leikkaimeen tai leikkuusuojukseen.
- Varo oksanpätkiä, joita voi sinkoutua ilmaan leikkua aikana. Älä sahaa liian lähellä maanpintaa, sillä ilmaan voi sinkoutua kiviä ja muuta irtotavaraa.
- Varmista, etteivät vaatteet tai ruumiinosat pääse koskemaan terälaitteeseen laitteen ollessa käynnissä. Pidä laite vyötärön alapuolella.
- Varo sinkoutuvia esineitä. Hyväksyttäviä silmiensuojaimia on aina käytettävä. Älä koskaan nojaa terälaitteen suojuksen yli. Kivet, roskat yms. saattavat sinkoutua silmiin ja aiheuttaa sokeutumisen tai vakavia vahinkoja.
- Tarkkaile aina varoitussignaaleja ja -huutoja kuulonsuojaimia käytettäessä. Riisu kuulonsuojaimet välittömästi laitteen pysäytyksen jälkeen.
- Jos laite tärisee, napauta siimapäätä, jolloin siima säätyy oikeaan mittaansa ja tärinä loppuu.
- Jos laite alkaa täristä epätavallisella tavalla, pysäytä laite ja irrota akku.
- Liiallinen altistuminen tärinöille saattaa aiheuttaa verisuoni- tai hermovaurioita verenkiertohäiriöistä kärsiville henkilöille. Käännä lääkärin puoleen, jos havaitset oireita, jotka voivat liittyä liialliseen tärinöille altistumiseen. Esimerkkejä tällaisista oireista ovat puutuminen, tunnottomuus, kutina, pistely, kipu, voimattomuus tai heikkous sekä ihon värin tai pinnan muutokset. Näitä oireita esiintyy tavallisesti sormissa, käsissä tai ranteissa.
- Pidä laitetta aina molemmin käsin. Pidä laitetta kehon oikealla puolella.

Henkilökohtainen suojavarustus

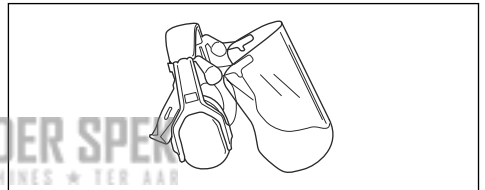


VAROITUS: Lue seuraavat varoitushjeet ennen laitteen käyttämistä.

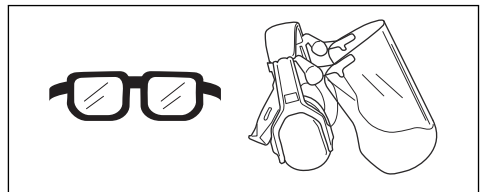
- Käytä aina hyväksytyjä henkilökohtaisia suojavarusteita, kun käytät laitetta. Henkilökohtaiset suojavarusteet eivät poista tapaturmien vaaraa, mutta ne lieventävät vammoja onnettomuustilanteessa. Anna jälleenmyyjän auttaa oikeiden varusteiden valinnassa.
- Käytä suojakypärää paikoissa, joissa putoilevat esineet aiheuttavat vaaraa.



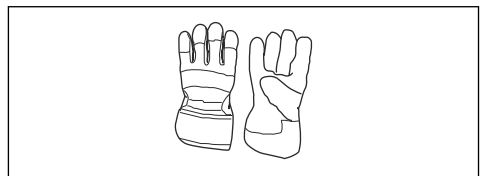
- Käytä riittävän tehokkaasti vaimentavia hyväksytyjä kuulonsuojaimia. Pitkäaikainen altistuminen melulle saattaa aiheuttaa pysyviä kuulovammoja.



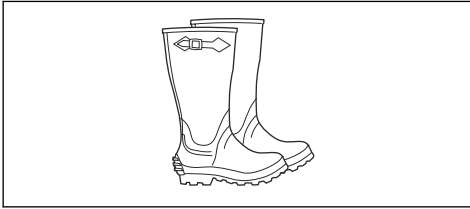
- Käytä hyväksytyjä silmäsuojaimia. Visiiriä käytettäessä on käytettävä myös hyväksytyjä suojalaseja. Hyväksytyillä suojalaseilla tarkoitetaan laseja, jotka täyttävät standardin ANSI Z87.1 (Yhdysvallat) tai EN 166 (EU-maat) vaatimukset.



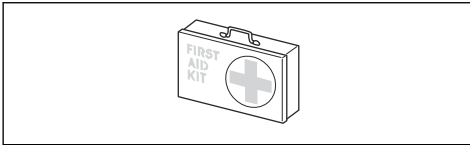
- Käytä käsineitä tarvittaessa esimerkiksi terävarustuksen asennuksen, tarkastuksen ja puhdistuksen aikana.



- Käytä luistamattomia ja tukevia jalkineita.



- Käytä lujasta materiaalista valmistettuja vaatteita. Käytä aina vahvakankaisia pitkiä housuja ja pitkähihaista takkia. Vältä liian löysiä vaatteita, jotka tarttuvat helposti risuihin ja oksiin. Älä pidä koruja, shortseja tai sandaaleja. Älä myöskään kulje paljain jaloin. Sido hiukset turvallisesti olkapäiden yläpuolelle.
- Pidä ensiaputarvikkeet helposti saatavilla.



Tuotteen turvalaitteet



VAROITUS: Lue seuraavat varoitusohjeet ennen koneen käyttämistä.

Tässä osassa kerrotaan laitteen turvaominaisuuksista ja niiden toiminnasta sekä annetaan tarkastus- ja kunnossapito-ohjeet, joilla varmistetaan laitteen toimivuus. Katso kohdasta *Johdanto sivulla 58*, missä nämä laitteet koneessasi sijaitsevat.

Laitteen käyttöikä voi lyhentyä ja onnettomuusvaara kasvaa, jos laitteen kunnossapitoa ei suoriteta oikein ja jos huolto- ja/tai korjauksia ei tehdä ammattitaitoisesti. Saat lisätietoja lähimmästä huoltoliikkeestä.



VAROITUS: Älä koskaan käytä laitetta, jos sen turvalaitteet ovat viallisia. Laitteen turvavarustus on tarkastettava ja pidettävä kunnossa tässä osassa esitetyllä tavalla. Jos laitteessasi ilmenee tarkastettaessa puutteita, se on toimitettava huoltoliikkeeseen korjattavaksi.



HUOMAUTUS: Kaikki koneen huolto- ja korjaustyöt vaativat erikoiskoulutusta. Tämä koskee erityisesti laitteen turvavarustusta. Jos koneessa havaitaan puutteita alla luetelluissa tarkastuksissa, on sinun otettava yhteys huoltoliikkeeseen. Hankkimalla tuotteen meiltä varmistat, että saat sille ammattimaisen korjauksen ja huollon. Jos ostat koneen muusta kuin huollot

suorittavasta ammattiliikkeestä, pyydä myyjää neuvomaan lähin huoltoliike.

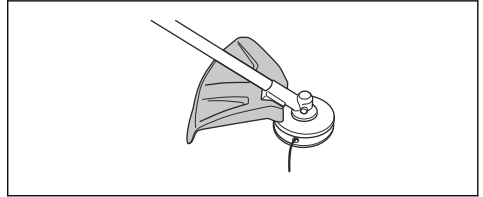
Terälaitteen suojuksen tarkistaminen



VAROITUS: Älä käytä terälaitetta ilman hyväksyttyä ja oikein kiinnitettyä terälaitteen suojusta. Käytä aina käyttämällesi terälaitteelle suositeltua suojusta. Katso kohta *Lisävarusteet sivulla 69*. Jos terälaitteeseen asennetaan väärä tai viallinen suojuus, se voi aiheuttaa vakavan henkilövahingon.

Terälaitteen suojuus pysäyttää käyttäjää kohti sinkoutuvat esineet. Se ehkäisee myös terälaitteen koskettamisesta syntyviä vammoja.

1. Pysäytä moottori.
2. Tarkista silmämääräisesti, onko vaurioita, kuten halkeamia.



3. Vaihda terälaitteen suojuus, jos se on vaurioitunut.

Turvallisuusohjeet asentamista varten



VAROITUS: Lue ja sisäistä nämä ohjeet ja noudata niitä huolellisesti, ennen kuin alat käyttää laitetta.

- Irrota akku laitteesta ennen laitteen asentamista.
- Käytä hyväksytyjä suojakäsineitä.
- Viallinen tai väärä suojuus voi aiheuttaa vammoja. Älä käytä terälaitetta, johon ei ole kiinnitetty hyväksyttyä suojusta.
- Varmista, että olet asentanut kotelon ja vetovarren oikein ennen laitteen käynnistämistä.
- Jousilevyn ja tukilapaan on oltava oikein terälaitteen keskireiässä. Väärin kiinnitetty terälaitte voi aiheuttaa vamman tai kuoleman.
- Laite on aina kiinnitettävä oikein valjaisiin, jotta sen käyttö on turvallista eikä aiheuta vammoja käyttäjälle tai muille henkilöille.

Turvaohjeet huolto varten



VAROITUS: Lue seuraavat varoitusohjeet ennen laitteen huoltamista.

- Irrota akku ennen laitteen huolto- ja tarkistuksia tai kokoamista.

- Käyttäjän on huolehdittava ainoastaan tässä käyttöohjekirjassa kuvatuista korjaus- ja huoltotoimista. Anna huoltoliikkeen tehdä suuremmat korjaus- ja huoltotoimet.
- Älä pese akkua tai akkulaturia vedellä. Vahvat pesuaineet voivat vaurioittaa muovia.
- Laitteen huoltamatta jättäminen lyhentää sen käyttöikää ja lisää onnettomuusrisiä.
- Laitteen huolto- ja korjaustyöt, erityisesti laitteen turvalaitteille tehtävät työt, vaativat erityiskoulutusta. Jos kaikkia käyttöohjekirjassa lueteltuja tarkastuksia ei huollon jälkeen voida suorittaa hyväksytysti, vie laite huoltoliikkeeseen. Siellä laitteesi huolletaan ja korjataan ammattimaisesti.

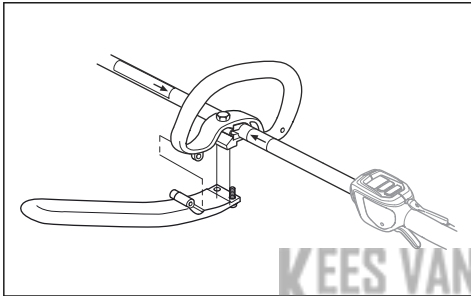
Asentaminen

J-kahvan asennus

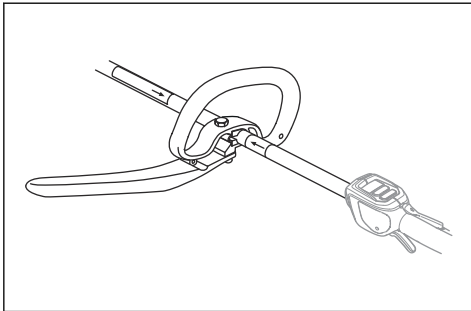


VAROITUS: J-kahva on kiinnitettävä kaarikahvaan, jos aiot käyttää laitetta jonkin suositellun metallisen terälaitteen kanssa.

1. Kiinnitä J-kahva kaarikahvaan 3 ruuvilla.

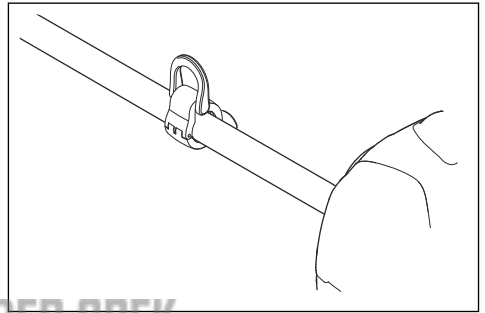


2. Säädä laite mukavaan asentoon.
3. Kiristä ruuvit.



Valjaiden ripustuskoukun asennus (jos käytössä)

1. Asenna valjaiden ripustuskoukku takakahvan ja kaarikahvan nuolten väliin.



Huomautus: Älä aseta kaarikahvaa tarran päälle.

2. Säädä silmukka niin, että laite on tasapainossa ja sitä on helppo käyttää.

Terävarustuksen asentaminen

Terävarustus sisältää terälaitteen ja terälaitteen suojuksen.



VAROITUS: Käytä suojakäsineitä.



VAROITUS: Käytä aina terälaitteelle suositeltua suojusta. Katso *Tekniset tiedot sivulla 68*.



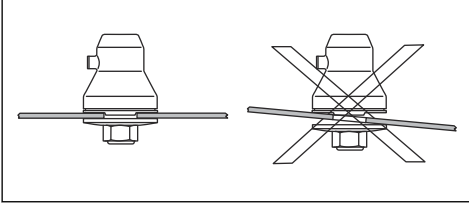
VAROITUS: Väärin kiinnitetty terälaitte voi aiheuttaa vammoja tai kuoleman.

Terien asennus



VAROITUS: Terälaitetta asennettaessa on erittäin tärkeää, että jousilevyn/tukilaidan koholla oleva osa tulee oikein terälaitteen keskireikään. Väärin asennettu terälaitte voi

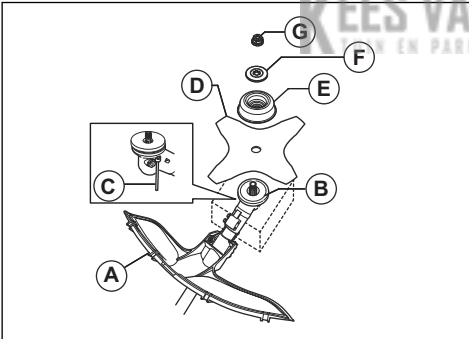
aiheuttaa vakavan ja/tai hengenvaarallisen henkilövahingon.



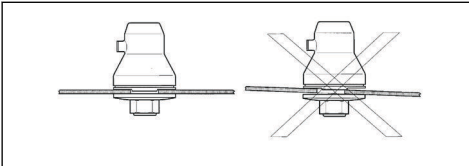
VAROITUS: Terälaitetta ei saa käyttää ilman hyväksytyä suojusta. Katso kohta Tekniset tiedot. Jos terälaitteeseen asennetaan väärä tai viallinen suojuus tai J-kahvaa ei ole asennettu metalliseen terälaitteen kanssa, seurauksena voi olla vakava henkilövahinko.

Ruuhoterän kiinnittäminen

1. Aseta laitteen vaihde tasaiselle alustalle, jotta terän asennus onnistuu oikein.
2. Käännä käyttöakselia, kunnes yksi jousilevyn (B) rei'istä on kulmavaihdokotelon vastaavan reiän kohdalla.
3. Lukitse akseli asettamalla lukkotappi (C) reikään.
4. Aseta ruuhoterä (D), tukikuppi (E) ja tukilaippa (F) käyttöakselille.

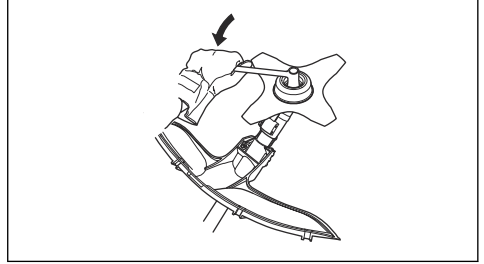


5. Varmista, että jousilevy ja tukilaippa tulevat oikein ruuhoterän keskireikään.



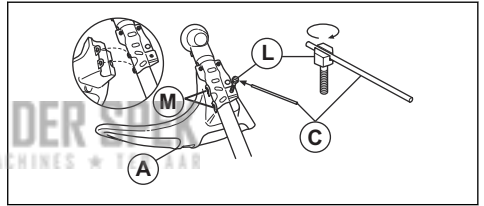
6. Kiinnitä mutteri (G).

7. Kiristä mutteri hylsyvavaimella. Pidä kiinni avaimen varresta läheltä teräsuojusta. Kiristä terälaitteen pyörintäsuuntaan nähden vastakkaiseen suuntaan. Kiristä kiristysmomenttiin 35–50 Nm.



Siimapään suojuksen kiinnittäminen siimapäähän

1. Aseta siimapään suojuus (A) levypidikkeen (M) molempiin koukkuihin.
2. Kierrä suojuus vetovarren ympäri ja kiinnitä se pultilla (L) vetovarren vastakkaiselle puolelle.
3. Aseta lukkotappi (C) pultin pään uraan ja kiristä pultti kokonaan.



Ruuhoterä

- Käytä oikein teroitettuja teriä. Väärin teroitettu tai vaurioitunut terä lisää tapaturmien vaaraa.
- Käytä oikein säädettyjä teriä. Oikea terän säätö on 1 mm. Väärin säädetty terä lisää tapaturmien ja vaurioiden vaaraa.
- Katso terän oikea teroitus ja säätö terän mukana tulleista ohjeista.

Laitteen tasapainottaminen



VAROITUS: Käytä aina valjaita, kun käytät konetta. Valjaiden ansiosta laitetta on erittäin helppo hallita, ja se vähentää käsiin ja selkään kohdistuvaa rasitusta.

- Pue valjaat päällesi.
- Kiinnitä laitteen ripustuskoukku valjaisiin, ja pidä terälaitetta maanpinnan suuntaisesti.

- Laite on oikeassa tasapainossa, kun terän leikkuukorkeus on lähellä maanpintaa.



Käyttö

Johdanto



VAROITUS: Lue ja sisäistä turvallisuutta käsittelevä luku ennen laitteen käyttöä.

Valjaiden säätäminen



VAROITUS: Kiinnitä laite aina valjaisiin oikein. Muussa tapauksessa et voi hallita laitetta turvallisesti, ja seurauksena voi olla vahinkoa sinulle tai muille. Älä käytä valjaita, joiden pikavapautusmekanismi on viallinen.



VAROITUS: Hätätilanteessa päästä irti valjaista ja laitteesta, ja anna niiden pudota maahan.

1. Pue valjaat päällesi.
2. Säädä valjaat sopivaan työasentoon.
3. Säädä valjaat niin, että terälaitte on maanpinnan suuntaisesti.



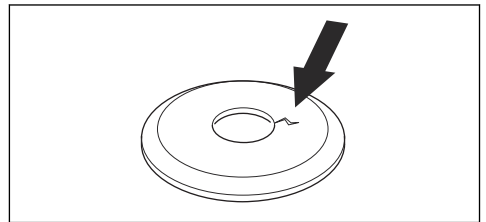
4. Jos tehtävänä on leikata ruohon, anna terälaitteen nojata kevyesti maata vasten. Säädä valjaiden kiinnike niin, että laite on tasapainossa.

Työasento

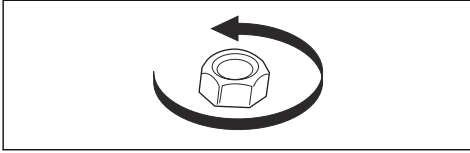
- Pidä laitteesta kiinni kummallakin kädellä.
- Pidä laitetta kehon oikealla puolella.
- Pidä leikkuulaitteisto vyötärön korkeudella.
- Pidä kaikki ruumiinosat etäällä kuumista pinnoista.
- Pidä kaikki ruumiinosat etäällä terälaitteesta.

Ennen tuotteen käyttöä

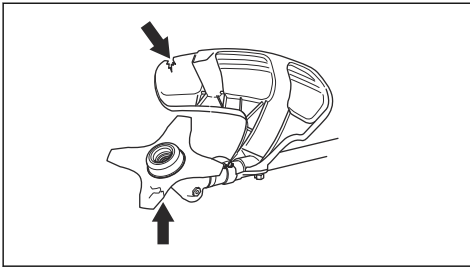
- Varmista työaluetta tutkimalla, että tunnet maaston laadun ja kaltevuuden ja mahdolliset esteet, kuten kivet, oksat ja ojat.
- Tarkista laite kokonaisuudessaan.
- Tee tässä ohjekirjassa kuvatut turvallisuustarkastukset ja huolto- ja ylläpitotoimenpiteet.
- Varmista, että kaikki kannet, suojukset, kahvat ja terävarustus on kiinnitetty oikein, eikä niissä ole vaurioita.
- Varmista, ettei ruohoterän hampaissa tai terän keskireiässä ole halkeamia. Vaihda terä, jos se on vaurioitunut.
- Tarkista, onko tukilapissa halkeamia. Vaihda tukilappi, jos se on vaurioitunut.



- Varmista, ettei lukkomutteria voi irrottaa käsin. Jos sen voi irrottaa käsin, se ei lukitse terälaitetta riittävän tiukasti ja se on vaihdettava.



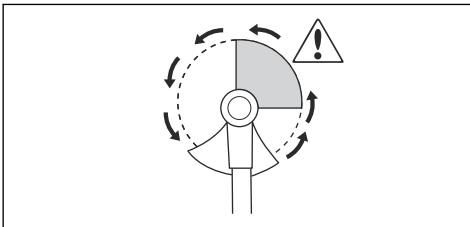
- Tarkista teränsuojus vaurioiden tai halkeamien varalta. Vaihda teränsuojus, jos siinä on kolhuja tai halkeamia.
- Tarkista siimapää ja terälaitteen suojus vaurioiden tai halkeamien varalta. Vaihda siimapää ja terälaitteen suojus, jos niissä on kolhuja tai halkeamia.



Takapotku



VAROITUS: Takapotku tarkoittaa laitteen äkillistä ja voimakasta liikahtamista sivulle. Takapotku tapahtuu, kun ruuhoterä osuu tai tarttuu esteeseen, jota ei voi leikata. Takapotku voi liikuttaa laitetta tai käyttäjää mihin tahansa suuntaan. Se aiheuttaa tapaturmien vaaran käyttäjälle ja sivullisille. Vaara on suurempi alueilla, joissa ei ole helppo nähdä leikattavaa materiaalia. Älä leikkaa kuvassa harmaana näkyvällä terän kohdalla. Terän nopeus ja liike voivat aiheuttaa takapotkun. Vaara kasvaa katkaistavan rungon paksuuden mukaan.

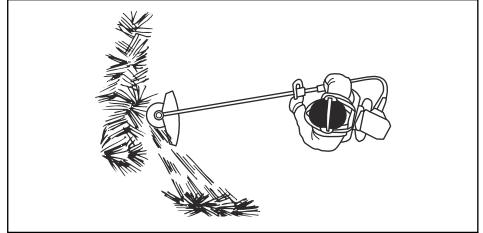


Ruohonraivaus ruuhoterällä



HUOMAUTUS: Älä käytä ruuhoteriä puuhun. Käytä ruuhoteriä vain pitkään tai paksuun ruohon.

- Liikuta laitetta puolelta toiselle.
- Aloita liike oikealta vasemmalle, kun leikkaat. Siirrä laitetta oikealle, ennen kuin leikkaat uudelleen.
- Leikkaa ruuhoterän vasemmalla puolella.



- Kallista ruuhoterä vasemmalle, niin ruoho jää aumaksi. Tällöin ruohon kerääminen on helppoa.
- Pysy vakaassa haara-asennossa.
- Siirry eteenpäin jokaisen oikealle suunnatun liikkeen jälkeen ja varmista ennen leikkaamisen jatkamista, että asentosi on vakaa.
- Paina tukikuppia kevyesti maata vasten, jotta ruuhoterä ei osu maahan.
- Noudata näitä ohjeita vähennät vaaraa, että leikkuujäte kiertyy ruuhoterän ympärille:
 - a) Anna täyskaasu.
 - b) Älä vie ruuhoterää leikkuujätteen läpi, kun liikutat laitetta vasemmalta oikealle.
- Ennen kuin keräät leikkuujätteen, sammuta moottori ja irrota laite valjaista. Laske laite maahan.

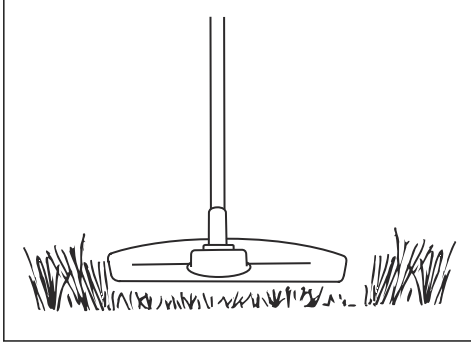
Ruohon raivaaminen ruuhoterällä

1. Ruuhoteriä ja ruuhoveitsiä ei saa käyttää puumaisten runkojen raivaukseen.
2. Ruuhoterää käytetään kaiken tyypin pitkän tai paksun ruohon raivaukseen.
3. Ruoho niitetään edestakaisella sivuttaisliikkeellä, jossa liike oikealta vasemmalle on raivausliike ja liike vasemmalta oikealle paluuliike. Käytä leikkaamiseen terän vasenta puolta (kello 8:n ja 12:n välinen teräsektori).
4. Jos terää kallistetaan raivattaessa hieman vasemmalle, ruoho jää aumaksi, josta se on helppo kerätä pois esim. haravoitaessa.
5. Pyri työskentelemään tasaisella rytmillä. Seiso tukevassa haara-asennossa. Siirry paluuliikkeen jälkeen eteenpäin ja asetu taas tukevaan asentoon.
6. Anna tukikupin nojata kevyesti maata vasten. Se on tarkoitettu suojaamaan terää maakosketukselta.

- Vähennä vaaraa, että raivattava materiaali kiertyy terän ympärille, työskentelemällä aina täydellä nopeudella ja väistämällä raivattua materiaalia paluuliikkeen aikana.
- Pysäytä moottori, irrota valjaat ja aseta raivaussaha maahan, ennen kuin alat kasata raivattua materiaalia.

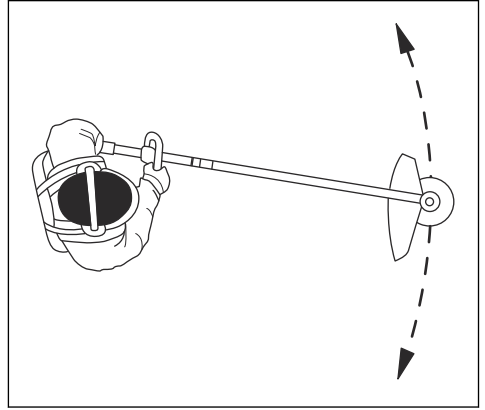
Ruohon leikkaaminen

- Varmista, että siima on maanpinnan suuntaisena, kun leikkaat.



- Älä paina siimapäätä maahan. Maanpinta ja laite voivat vaurioitua.
- Älä anna siimapään osua maahan jatkuvasti, sillä se voi vaurioittaa siimapäätä.

- Käytä täyttä nopeutta, kun leikkaat ruohoa liikuttamalla laitetta sivulta toiselle.



Varmista, että siima on maanpinnan suuntaisena.

Ruohon lakaiseminen

Leikatun ruohon voi poistaa alueelta pyörivän trimmerin siiman aiheuttaman ilmavirran avulla.

- Pidä siimapäätä ja siimaa maan suuntaisesti maan yläpuolella.
- Käytä täyttä käyntinopeutta.
- Lakaise ruoho liikuttamalla siimapäätä puolelta toiselle.



VAROITUS: Puhdista siimapään kansi aina, kun asennat uuden siiman, epätasapainon ja kahvojen tärinän estämiseksi. Tarkista myös muut siimapään osat ja puhdista tarvittaessa.

Huolto

Johdanto



VAROITUS: Lue turvallisuutta käsittelevä luku niin, että ymmärrät sen sisällön, ennen minkäänlaisten huoltotoiden aloittamista.



VAROITUS: Irrota akku, ennen kuin alat tehdä huoltotoimia.

Alla on luettelo laitteelle tehtävistä huoltotoimista.

| Huolto | Päivittäin | Viikoittain | Kuukausittain |
|---|------------|-------------|---------------|
| Puhdista laitteen ulko-osat kuivalla liinalla. Älä käytä vettä. | X | | |
| Varmista, ettei terälaitte ole vaurioitunut. Vaihda terälaitte, jos se on vaurioitunut. | X | | |
| Varmista, että terälaitteen suojus ei ole vaurioitunut. Vaihda terälaitteen suojus, jos se on vaurioitunut. | X | | |
| Varmista, että kaikki ruuvit ja mutterit on kiristetty. | X | | |

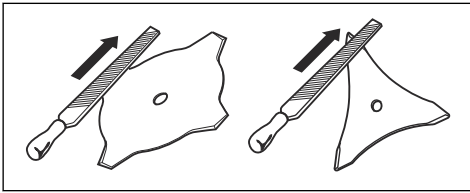
| Huolto | Päivittäin | Viikoittain | Kuukausittain |
|---|------------|-------------|---------------|
| Tarkasta, että 3/4 kulmavaihteesta on täytetty voiteluaineella. Lisää tarvittaessa erikoisrasvaa. | | X | |

Ruuhoterän teroittaminen



VAROITUS: Pysäytä moottori. Käytä suojakäsineitä.

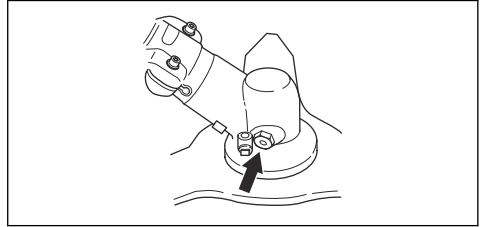
- Katso ruuhoterän oikea teroitus terälaitteen mukana tulleista ohjeista.
- Teroita kaikki reunat tasaisesti, jotta tasapaino säilyy.
- Käytä yksihakkuista lattaviilaa.



VAROITUS: Hävitä aina vahingoittunut terä. Älä yritä suoristaa taipunutta tai vääntynyttä terää ja käytä sitä uudelleen.

Kulmavaihte

Kulmavaihteesta $\frac{3}{4}$ on täytetty rasvalla tehtaalla. Varmista ennen käyttöä, ettei rasvamäärä ole muuttunut. Käytä Husqvarna-erikoisrasvaa, jos rasvaa on lisättävä. Älä vaihda kulmavaihteen rasvaa. Jätä kulmavaihteen korjaus huoltohenkilöstön tehtäväksi.



TEKNISET TIEDOT

Tekniset tiedot

| 325iLK + Ruuhoraivuriilälaitte BCA850 | |
|---|---------|
| Moottori | |
| Käyttöakselin pyörimisnopeus, 1/min ¹⁷ | 5 800 |
| Paino | |
| Paino, kg | 3,7+1,6 |
| Leikkaus | |
| Leikkuuleveys, mm | Ø 255 |
| Melupäästöt ¹⁸ | |
| Äänen tehotaso, mitattu dB(A) | 95 |
| Äänen tehotaso, taattu L _{WA} dB(A) | 96 |

¹⁷ Kierrosta minuutissa

¹⁸ Melupäästöt ympäristöön äänentehona (LWA) EY-direktiivin 2000/14/EY mukaisesti mitattuna. Koneen ilmoitettu äänentehotaso on mitattu käyttäen alkuperäistä terälaitetta, joka antaa suurimman äänentehotason. Taa-tun ja mitatun äänitehon erona on se, että taattu ääniteho sisältää myös mitatun tuloksen hajonnan ja vaihtelun saman mallin eri laitteiden välillä direktiivin 2000/14/EY mukaisesti.

| | |
|--|---------|
| 325iLK + Ruohoraivurillisälaite BCA850 | |
| Äänitasot¹⁹ | |
| Vastaava äänenpainetaso käyttäjän korvan tasalla mitattuna standardin ISO 22868 mukaan, dB(A): | |
| Varustettu siimapäällä (alkuperäinen) | 82 |
| Tärinätasot²⁰ | |
| Kahvojen tärinätasot standardin ISO 22867 mukaan mitattuna, m/s ² | |
| Varustettu siimaterällä (alkuperäinen), vasen/oikea | 3,3/1,5 |

Lisävarusteet

Tarvikkeet

| Hyväksytyt lisävarusteetBCA850-lisälaitteelle | Varustetyyppi | Terälaitteen suojus, tuotenro |
|---|---|-------------------------------|
| Teräkselin kierre M10 | | |
| Terien/leikkaimien keskireikä Ø 25,4 mm | | |
| Ruohoterä/trimmeri | Ruohoterä 255-4 1" (Ø 255, 4-hampainen) | 588 11 79-01 |

¹⁹ Ilmoitetuilla tiedoilla koneen äänenpainetasosta tyypillinen tilastollinen hajonta (vakiopoiikkeama) on 3 dB(A). Taso on mitattu käyttäen alkuperäistä lisälaitetta, joka antaa suurimman äänentehotason.

²⁰ Tärinätasolle ilmoitetuissa tiedoissa tyypillinen tilastollinen hajonta (vakiopoiikkeama) on 2 m/s². Käytä akku- ja polttomootorikäyttöisten laitteiden tärinätasojen vertailussa tärinälaskuria. <https://www.husqvarna.com/uk/services-solutions/vibration-calculator/>.

EY-vaatimustenmukaisuusvakuutus

Husqvarna AB, SE-561 82 Huskvarna, Sweden, tel:
+46-36-146500, vakuuttaa täten, että
ruohoraivuriilääläite Husqvarna BCA850 alkaen vuoden
2019 sarjanumeroista (vuosi on ilmoitettu arvokilvessä
ennen sarjanumeroa) sekä 325iLK-käyttöyksikkö on
valmistettu noudattaen seuraavaa NEUVOSTON
DIREKTIIVIÄ:

- 17. toukokuuta 2006 annettu konedirektiivi
2006/42/EY.
- 26. helmikuuta 2014 annettu direktiivi **2014/30/EY**
sähkömagneettisesta yhteensopivuudesta.
- 8. toukokuuta 2000 annettu direktiivi **2000/14/EY**,
joka koskee melupäästöjä ympäristöön.
- 8. kesäkuuta 2011 annettu direktiivi tiettyjen
vaarallisten aineiden käytön rajoittamisesta sähkö- ja
elektroniikkalaitteissa, **2011/65/EU**.

Seuraavia standardeja on sovellettu: IEC 62841-1:2014,
EN ISO 11806-1:2011, EN 50581:2012

RISE SMP Svensk Maskinprovning AB, Box 7035,
SE-750 07 Uppsala, Sweden, Box 7035, SE-750 07
Uppsala, Sweden on suorittanut EY-tyyppitarkastuksen
konedirektiivin (2006/42/EY) artiklan 12 kohdan 3b
mukaisesti. Sertifikaatin numero on:

RISE SMP Svensk Maskinprovning AB on myös
vahvistanut vaatimustenmukaisuuden neuvoston
direktiivin 2000/14/EY liitteen V mukaisesti. Sertifikaatin
numero on: 01/1610/010

Katso lisätietoja melupäästöistä osiosta *Tekniset tiedot*
sivulla 68.

Huskvarna



Pär Gustafsson, kehityspäällikkö (Husqvarna AB:n
valtuutettu ja teknisestä dokumentaatiosta vastaava
edustaja.)

Sommaire

| | | | |
|-------------------|----|-----------------------------------|----|
| Introduction..... | 71 | Entretien..... | 81 |
| Sécurité..... | 72 | Caractéristiques techniques..... | 82 |
| Montage..... | 76 | Accessoires..... | 83 |
| Utilisation..... | 79 | Déclaration de conformité CE..... | 84 |

Introduction

Description du produit

Nous travaillons continuellement au développement de nos produits et nous réservons le droit d'en modifier, entre autres, la conception et l'aspect sans préavis.

Remarque: le présent manuel concerne les blocs d'alimentation fonctionnant sur batterie.

Utilisation prévue



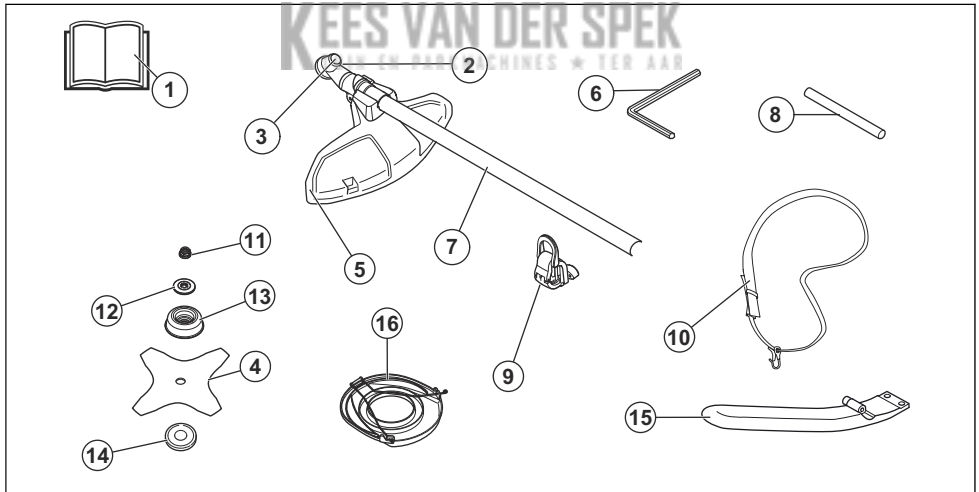
AVERTISSEMENT: Cet accessoire ne peut être utilisé qu'avec le produit spécialement

conçu à cet effet. Reportez-vous au chapitre sur l'accessoire du manuel d'utilisation du produit.

Cette débroussailluse permet de couper différents types de végétation. N'utilisez pas ce produit pour d'autres tâches que la coupe de bordures et le désherbage. Utilisez une lame à herbe pour couper l'herbe.

Remarque: La législation nationale ou locale peut réglementer l'utilisation. Respectez la législation en vigueur.

Aperçu du produit



- | | |
|--|-------------------------------------|
| 1. Manuel de l'opérateur | 9. Crochet de suspension du harnais |
| 2. Renvoi d'angle | 10. Harnais |
| 3. Trou de goupille de blocage | 11. Contre-écrou |
| 4. Lame de désherbage | 12. Bride de support |
| 5. Protection pour l'équipement de coupe | 13. Bol de garde au sol |
| 6. Clé hexagonale de 4 mm | 14. Disque d'entraînement |
| 7. Arbre | 15. Poignée en J |
| 8. Goupille d'arrêt | 16. Protection de transport |

Symboles concernant le produit



AVERTISSEMENT ! Une utilisation erronée ou négligente de cet accessoire peut occasionner des blessures graves, voire mortelles, pour l'utilisateur ou d'autres personnes.



Utilisez un casque de protection dans les endroits où des objets peuvent tomber sur vous. Utilisez des protège-oreilles homologués. Utilisez des protections pour les yeux homologuées.



Régime maximal de l'arbre de sortie.



Maintenez toutes les parties de votre corps à distance des surfaces chaudes et brûlantes.



Le produit peut entraîner la projection d'objets, ce qui peut causer des blessures.



Risque de rebond si l'équipement de coupe touche un objet qu'il ne coupe pas immédiatement. Le produit peut couper des parties du corps. Restez à une distance minimale de 15 m (50 pi) des personnes et des animaux pendant l'utilisation du produit.



Utilisez des gants de protection homologués.



Utilisez des bottes antidérapantes robustes.



L'opérateur doit veiller à ce qu'aucune personne ou animal ne se trouve à moins de 15 mètres. Lorsque plusieurs opérateurs partagent le même lieu de travail, la distance de sécurité doit être de 15 mètres au minimum. L'accessoire peut projeter violemment des objets pouvant ricocher. Ceci peut provoquer des blessures graves aux yeux si l'équipement de protection personnelle recommandé n'est pas utilisé.



Émissions sonores dans l'environnement selon la directive de la Communauté européenne. Les émissions de l'accessoire sont indiquées au chapitre Caractéristiques techniques et sur l'étiquette.



yyyywwxxxx

La plaque signalétique indique le numéro de série. **yyyy** est l'année de production, **ww** est la semaine de production et **xxxx** est le numéro séquentiel.

Remarque: Les autres symboles/autocollants présents sur le produit concernent des exigences de certification spécifiques à d'autres zones commerciales.

Fabricant

Husqvarna AB

Drottninggatan 2, SE-561 82 Huskvarna, Sweden, tel: +46-36-146500

Sécurité

Définitions de sécurité

Des avertissements, des recommandations et des remarques sont utilisés pour souligner des parties spécialement importantes du manuel.



AVERTISSEMENT: Symbole utilisé en cas de risque de blessures ou de mort pour l'opérateur ou les personnes à proximité si les instructions du manuel ne sont pas respectées.



REMARQUE: Symbole utilisé en cas de risque de dommages pour le produit, d'autres matériaux ou les environs si les instructions du manuel ne sont pas respectées.

Remarque: Symbole utilisé pour donner des informations supplémentaires pour une situation donnée.

Consignes générales de sécurité relatives à l'outil à moteur



AVERTISSEMENT: Lisez l'ensemble des avertissements de sécurité, des consignes, des illustrations et des spécifications fournies avec cet outil électrique. Le non-respect des consignes énumérées ci-dessous peut être à l'origine d'un choc électrique, d'un incendie et/ou de blessures graves.

Remarque: Conservez toutes ces consignes et instructions pour toute consultation ultérieure. Le terme « outil électrique » utilisé dans les avertissements fait référence à l'outil branché sur secteur (fil) ou à l'outil alimenté par batterie (sans fil).

Autres consignes générales de sécurité

- Éteignez le produit lorsque vous vous déplacez dans une autre zone. Retirez toujours la batterie lorsque vous confiez le produit à un tiers.
- Ne posez jamais le produit au sol si vous ne l'avez pas éteint et si vous n'avez pas retiré la batterie. Ne laissez pas le produit sans surveillance quand il est sous tension.
- L'outil de coupe ne s'arrête pas immédiatement après l'arrêt du produit.
- La lame doit être complètement arrêtée une fois que l'interrupteur est revenu à sa position initiale.
- En cas d'impact, vérifiez que le produit ne présente ni signe d'usure ni dommage et procédez aux réparations éventuellement nécessaires avant de l'utiliser à nouveau.
- Si un objet se bloque dans l'accessoire de coupe lorsque vous utilisez le produit, arrêtez et éteignez le produit. Assurez-vous que l'accessoire de coupe s'arrête complètement. Retirez la batterie avant de nettoyer, inspecter ou réparer le produit et/ou l'équipement de coupe.
- Effectuez un contrôle du produit avant toute utilisation. Reportez-vous à *Aperçu du produit à la page 71* et à *Pour contrôler la protection de l'équipement de coupe à la page 76*. N'utilisez pas de produit défectueux. Appliquez les instructions de maintenance et d'entretien ainsi que les contrôles de sécurité indiqués dans ce manuel.
- Un accessoire de coupe défectueux peut augmenter les risques d'accidents.
- Vérifiez que l'engrenage ne présente ni fissures ni fuites. Retirez l'herbe et les feuilles coincées dans l'engrenage à l'aide d'une brosse. Au besoin, utilisez des gants.
- Assurez-vous toujours de l'absence de débris dans les orifices de ventilation.
- Vérifiez que la tête de désherbage est parfaitement attachée au coupe-herbe.
- Tous les capots, toutes les protections et toutes les poignées doivent avoir été montées avant d'utiliser la machine.
- Vérifiez que le produit est en parfait état d'utilisation. Contrôlez que tous les écrous et boulons sont correctement serrés.
- Contrôlez la tête de désherbage et le carter de protection afin de détecter d'éventuels dommages ou fissures. Remplacez la tête de désherbage ou le carter de protection si l'un ou l'autre a subi des impacts ou présente des fissures. Utilisez toujours la protection recommandée prévue pour l'équipement de coupe en question. Voir Caractéristiques techniques.
- Ce produit est un outil dangereux si vous ne faites pas attention ou si vous l'utilisez de manière incorrecte. Ce produit peut causer des blessures graves, voire mortelles, à l'opérateur ou à d'autres personnes.
- Cet appareil n'est pas destiné à une utilisation par des personnes (ou des enfants) aux capacités physiques, sensorielles ou mentales limitées ou manquant d'expérience et de connaissances, sauf si elles ont bénéficié de la surveillance ou des instructions concernant l'utilisation de l'appareil d'une personne responsable de leur sécurité. Il convient de surveiller les enfants et de les empêcher de jouer avec l'appareil.
- Ne laissez jamais des enfants utiliser la machine ou s'en approcher. Dans la mesure où la machine est facile à démarrer, il est possible que des enfants arrivent à la mettre en route lorsque vous les quittez des yeux. Ceci peut entraîner un risque de graves blessures corporelles. Retirez donc la batterie lorsque vous n'êtes pas en mesure de surveiller la machine de près.
- Ne laissez jamais des enfants ou d'autres personnes ne possédant pas la formation requise utiliser ou entretenir le produit et/ou sa batterie.
- La législation nationale ou locale peut réglementer l'utilisation. Respectez la législation en vigueur.
- Entourez l'équipement dans un endroit verrouillable à clé, de façon à ce qu'il soit inaccessible aux enfants et aux personnes non autorisées.
- Utilisez toujours la protection de transport pour le rangement et le transport.
- Sécurisez le produit pendant le transport.
- Maintenez vos mains et vos pieds à distance de la zone de coupe en toutes circonstances, et particulièrement au moment où vous allumez le moteur.
- Éloignez vos mains et vos pieds de l'accessoire de coupe jusqu'à son arrêt complet, une fois le produit éteint.
- Ne retirez pas la matière coupée ou laissez d'autres personnes le faire lorsque le produit est en marche ou que l'équipement de coupe tourne pour éviter les blessures graves.
- N'oubliez pas que c'est vous, l'opérateur, qui êtes responsable de protéger les tiers et leurs biens de tout accident ou danger.
- Ne modifiez jamais le produit sans l'autorisation du fabricant. Utilisez uniquement des accessoires d'origine. Des modifications non autorisées et l'emploi d'accessoires non homologués peuvent provoquer des accidents graves, voire mortels, à l'utilisateur ou d'autres personnes. Il est possible que votre garantie ne couvre pas les responsabilités ou dommages associés à l'utilisation d'accessoires ou de pièces de rechange non autorisés.

- Les seuls accessoires compatibles avec ce produit sont les accessoires de coupe recommandés dans le chapitre des caractéristiques techniques.
- N'utilisez jamais un produit qui a été modifié au point de ne plus être conforme aux spécifications d'origine
- N'utilisez jamais un produit qui n'est pas en parfait état de marche. Appliquez les instructions de maintenance et d'entretien ainsi que les contrôles de sécurité indiqués dans ce manuel d'utilisation. Certaines opérations de maintenance et d'entretien doivent être réalisées par un spécialiste dûment formé et qualifié. Voir les instructions à la section Maintenance.
- Travailler par mauvais temps est cause de fatigue et peut être dangereux. Il n'est pas recommandé d'utiliser la machine dans de très mauvaises conditions météorologiques, par exemple, en cas de brouillard épais, de forte pluie, de vent violent, de froid intense ou de risque de foudre, etc., car ces conditions constituent des facteurs de risque supplémentaires
- Ne travaillez jamais debout sur une échelle, un tabouret, ou dans toute autre position élevée n'offrant pas une sécurité maximale.
- Stockez les appareils non utilisés à l'intérieur : lorsqu'ils ne sont pas utilisés, les appareils doivent être stockés à l'intérieur.
- Il est impossible de prévoir toutes les situations que vous pouvez rencontrer. Soyez toujours prudent et utilisez votre bon sens. Évitez les situations que vous n'êtes pas sûr de maîtriser. Si, après avoir lu ces instructions, vous n'êtes toujours pas sûr de la procédure à suivre, demandez conseil à un expert avant de poursuivre.
- Assurez-vous qu'aucune personne ou aucun animal ne se trouve à moins de 15 mètres de votre zone de travail. Lorsque plusieurs utilisateurs travaillent dans une même zone, il convient d'observer une distance de sécurité d'au moins 15 mètres. Autrement, cela peut entraîner un risque de graves blessures personnelles. Arrêtez immédiatement le produit si une personne s'approche. Ne tournez jamais sur vous-même avec le produit sans vous assurer d'abord que personne ne se trouve dans la zone de sécurité.
- Si un objet se bloque dans l'accessoire de coupe lorsque vous utilisez le produit, arrêtez et éteignez le produit. Assurez-vous que l'accessoire de coupe s'arrête complètement. Retirez la batterie avant de nettoyer, inspecter ou réparer le produit et/ou l'équipement de coupe.
- Assurez-vous qu'aucune personne, aucun animal ou autre objet ne peut faire obstacle à votre contrôle du produit ou qu'ils n'entrent pas en contact avec des accessoires de coupe ou des objets lancés par celui-ci. Cependant, n'utilisez pas le produit s'il n'est pas possible d'appeler au secours en cas d'accident.
- Assurez-vous de pouvoir vous tenir et vous déplacer en toute sécurité. Repérez les éventuels obstacles (racines, pierres, branches, fossés, etc.) en cas de

déplacement soudain. Observez la plus grande prudence lorsque vous travaillez sur des terrains en pente.

- Marchez, ne courez jamais.
- Inspectez la zone de travail. Retirez tous les objets tels que les pierres, les morceaux de verre, les clous, les fils de fer, les bouts de ficelle, etc. pouvant être projetés ou risquant de s'enrouler autour de la lame ou de sa protection.
- Attention aux éclats de bois pouvant être projetés durant le sciage. Ne coupez pas trop près du sol, où des cailloux et d'autres objets peuvent être projetés.
- Vérifiez qu'aucun vêtement et qu'aucune partie du corps n'entre en contact avec l'accessoire de coupe lorsque le produit est en marche. Tenez le produit au-dessous de la taille.
- Attention aux objets projetés. Portez toujours des protège-yeux homologués. Ne vous penchez jamais au-dessus de la protection de l'équipement de coupe. Des cailloux, débris, etc. peuvent être projetés dans les yeux et causer des blessures graves, voire la cécité.
- Soyez toujours attentif aux signaux d'alerte ou aux appels lorsque vous portez des protège-oreilles. Enlevez toujours vos protège-oreilles dès que le produit s'arrête.
- En cas de vibrations indésirables, tapez pour faire sortir plus de fil. Une longueur correcte de fil permet de faire cesser les vibrations.
- Si le produit commence à vibrer de façon anormale, arrêtez-le et retirez la batterie.
- Une exposition excessive aux vibrations peut entraîner des troubles circulatoires ou nerveux chez les personnes sujettes à des troubles cardiovasculaires. Consultez un médecin en cas de symptômes liés à une exposition excessive aux vibrations. De tels symptômes peuvent être : engourdissement, perte de sensibilité, chatouillements, picotements, douleur, faiblesse musculaire, décoloration ou modification épidermique. Ces symptômes affectent généralement les doigts, les mains ou les poignets.
- Tenez toujours le produit à deux mains. Tenez l'appareil du côté droit du corps.

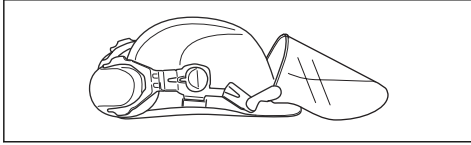
Équipement de protection individuel



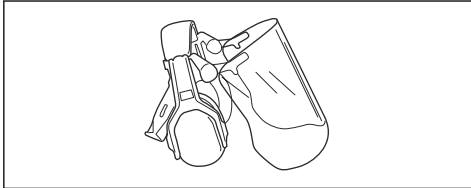
AVERTISSEMENT: Lisez les instructions qui suivent avant d'utiliser le produit.

- Portez toujours un équipement de protection individuel homologué lorsque vous utilisez le produit. L'équipement de protection individuel ne protège pas complètement des blessures, mais il diminue la gravité des blessures en cas d'accident. Faites appel à votre revendeur pour vous aider à sélectionner l'équipement adéquat.

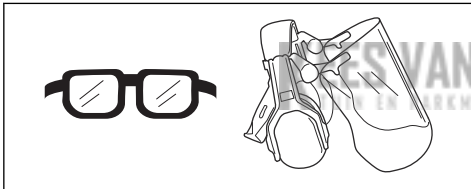
- Portez un casque de protection lorsqu'il y a un risque de chute d'objets.



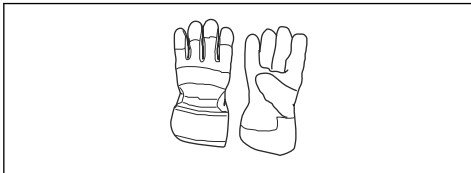
- Portez des protège-oreilles homologués ayant un effet atténuateur suffisant. Une exposition prolongée au bruit risque de causer des lésions auditives permanentes.



- Utilisez des protections pour les yeux homologuées. L'usage d'une visière doit toujours s'accompagner du port de lunettes de protection homologuées. Les lunettes de protection doivent être conformes aux normes ANSI Z87.1 (États-Unis) ou EN 166 (pays de l'UE).



- Portez des gants de protection en cas de besoin, par exemple lorsque vous fixez, examinez ou nettoyez l'équipement de coupe.



- Portez des bottes antidérapantes et stables.



- Portez des vêtements fabriqués dans un matériau résistant. Portez toujours des pantalons longs, épais

et des manches longues. Ne portez pas de vêtements amples qui risqueraient de se prendre dans les brindilles et les branches. Ne portez pas de bijoux, de shorts, de sandales et ne marchez pas pieds nus. Attachez vos cheveux de façon sécurisée au-dessus de vos épaules.

- Gardez toujours une trousse de premiers soins à portée de main.



Dispositifs de sécurité sur le produit



AVERTISSEMENT: Lisez les instructions qui suivent avant d'utiliser le produit.

Cette section présente les fonctions de sécurité, les instructions d'utilisation, de contrôle et d'entretien afin de garantir son bon fonctionnement. Consultez les instructions à la section *Introduction à la page 71* pour savoir où se trouvent ces équipements sur votre produit.

La durée de vie du produit risque d'être écourtée et le risque d'accidents accru si la maintenance du produit n'est pas effectuée correctement et si les mesures d'entretien et/ou de réparation ne sont pas effectuées de manière professionnelle. Pour plus d'informations, contactez l'atelier de réparation du revendeur le plus proche.



AVERTISSEMENT: N'utilisez jamais une machine dont les équipements de sécurité sont défectueux. Contrôlez et entretenez les équipements de sécurité du produit conformément aux instructions données dans ce chapitre. Si les contrôles du produit ne donnent pas de résultat positif, contactez votre agent d'entretien pour le faire réparer.



REMARQUE: L'entretien et la réparation de la machine exigent une formation spéciale. Ceci concerne particulièrement l'équipement de sécurité de la machine. Si les contrôles suivants ne donnent pas un résultat positif, adressez-vous à un atelier spécialisé. L'achat de l'un de nos produits offre à l'acheteur la garantie d'un service et de réparations qualifiés. Si le point de vente n'assure pas ce service, s'adresser à l'atelier spécialisé le plus proche.

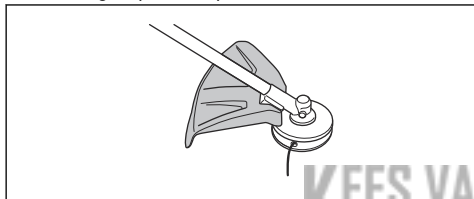
Pour contrôler la protection de l'équipement de coupe



AVERTISSEMENT: N'utilisez pas un équipement de coupe sans une protection d'équipement de coupe correctement fixée et homologuée. Utilisez toujours la protection d'accessoire de coupe recommandée pour l'accessoire de coupe que vous utilisez, reportez-vous à la section *Accessoires à la page 83*. L'installation d'une protection d'accessoire de coupe incorrecte ou défectueuse peut provoquer des blessures graves.

La protection de l'accessoire de coupe permet d'arrêter les objets projetés en direction de l'opérateur. Elle permet également d'éviter de se blesser si vous touchez l'équipement de coupe.

1. Arrêtez le moteur.
2. Réalisez un contrôle visuel pour détecter les dommages, par exemple des fissures.



3. Remplacez la protection de l'accessoire de coupe si celle-ci est endommagée.

Consignes de sécurité pour l'assemblage



AVERTISSEMENT: Lisez, comprenez et respectez ces instructions attentivement avant d'utiliser le produit.

- Retirez la batterie du produit avant d'assembler le produit.

- Utilisez des gants de protection homologués.
- Une protection défectueuse ou incorrecte peut provoquer des blessures. N'utilisez pas un accessoire de coupe qui ne dispose pas de protection homologuée.
- Assurez-vous que vous assemblez le carter et l'arbre correctement avant de démarrer le produit.
- Le disque d'entraînement et la bride de support doivent s'engager correctement dans le trou central de l'accessoire de coupe. Un accessoire de coupe qui n'est pas correctement fixé peut provoquer des blessures ou la mort.
- Pour faire fonctionner le produit en toute sécurité et éviter toute blessure à l'opérateur ou à d'autres personnes, le produit doit toujours être correctement fixé au harnais.

Consignes de sécurité pour l'entretien



AVERTISSEMENT: Lisez les instructions qui suivent avant d'effectuer l'entretien du produit.

- Retirez la batterie avant tout entretien, contrôle ou assemblage du produit.
- L'utilisateur ne doit effectuer que les travaux de maintenance et d'entretien décrits dans ce manuel d'utilisation. Adressez-vous à votre revendeur pour toute opération de maintenance et d'entretien de plus grande ampleur.
- Ne nettoyez pas la batterie ou le chargeur de batterie avec de l'eau. L'utilisation de détergents agressifs peut endommager le plastique.
- Un défaut d'entretien réduit le cycle de vie du produit et augmente le risque d'accidents.
- Une formation spéciale est nécessaire pour tous les travaux d'entretien et de réparation, en particulier pour les dispositifs de sécurité sur le produit. Si tous les contrôles spécifiés dans ce manuel d'utilisation ne sont pas validés après l'entretien, consultez votre revendeur. Nous garantissons la disponibilité d'un service de réparation et d'entretien professionnel pour votre produit.

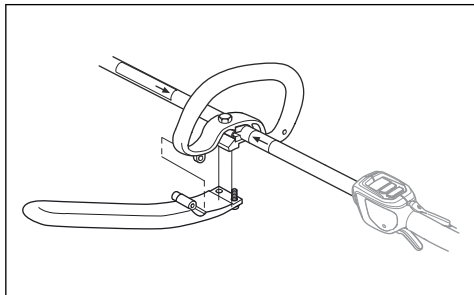
Montage

Assemblage de la poignée en J

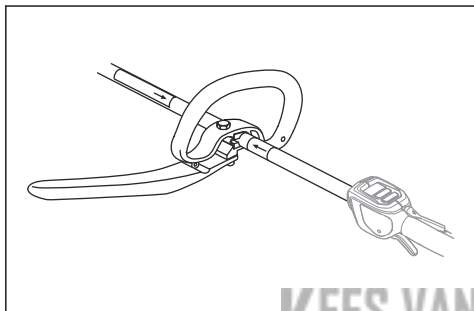


AVERTISSEMENT: Si vous prévoyez d'utiliser le produit avec l'un des équipements de coupe métalliques recommandés, la poignée en J doit être fixée à la poignée en boucle.

1. Fixez la poignée en J à la poignée en anneau avec 3 vis.

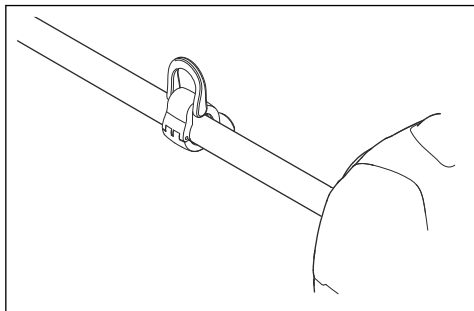


2. Ajustez le produit dans une position confortable.
3. Serrez les vis.



Pour installer le crochet de suspension du harnais, le cas échéant

1. Installez le crochet de suspension du harnais entre les flèches sur la poignée arrière et la poignée en boucle.



Remarque: ne placez pas la poignée en anneau sur l'autocollant.

2. Réglez l'œillet pour équilibrer le produit et faciliter son utilisation.

Pour assembler l'équipement de coupe

L'équipement de coupe comprend un accessoire de coupe et une protection de l'accessoire de coupe.



AVERTISSEMENT: Utilisez des gants de protection.



AVERTISSEMENT: Utilisez toujours la protection de l'accessoire de coupe recommandée. Consultez la section *Caractéristiques techniques* à la page 82.

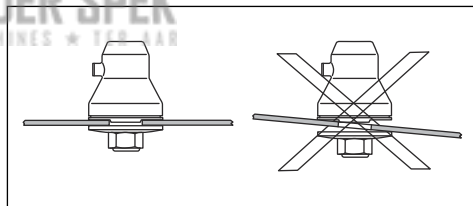


AVERTISSEMENT: Un accessoire de coupe mal fixé peut entraîner des blessures graves ou mortelles.

Montage des lames



AVERTISSEMENT: Lorsque vous montez l'équipement de coupe, il est crucial que la partie surélevée du disque d'entraînement/de la bride de support soit positionnée correctement dans le trou central de l'équipement de coupe. Un équipement de coupe mal monté peut causer des blessures personnelles très graves, voire mortelles.

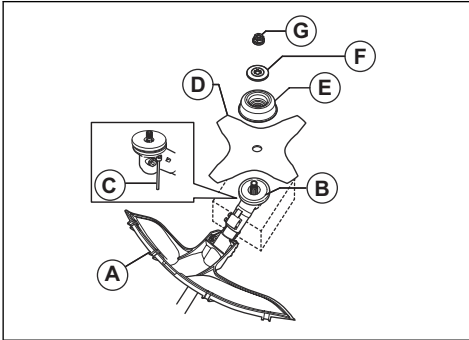


AVERTISSEMENT: n'utilisez jamais un équipement de coupe sans protection homologuée. Reportez-vous au chapitre *Caractéristiques techniques*. La mise en place d'une protection inadaptée ou défectueuse, ou l'absence de la poignée en J lors de l'utilisation d'un équipement de coupe métallique, peut provoquer des blessures personnelles graves.

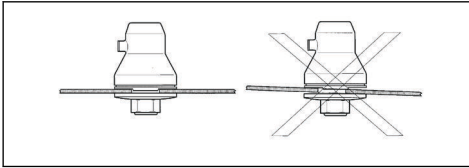
Pour fixer la lame à herbe

1. Placer le pignon du produit sur une surface plane pour s'assurer que la lame est correctement montée.
2. Faites tourner l'arbre de sortie pour aligner l'un des trous du disque d'entraînement (B) sur le trou correspondant du carter.
3. Placez la goupille d'arrêt (C) dans le trou afin de bloquer l'arbre.

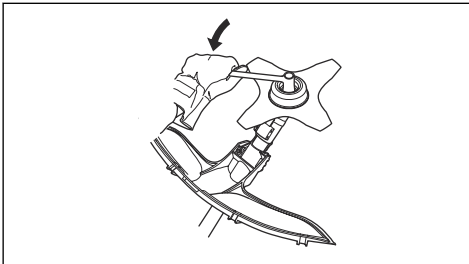
4. Placez la lame à herbe (D), le bol de garde au sol (E) et la bride de support (F) sur l'arbre de sortie.



5. Assurez-vous que le disque d'entraînement et la bride de support s'engagent correctement dans le trou central de la lame à herbe.



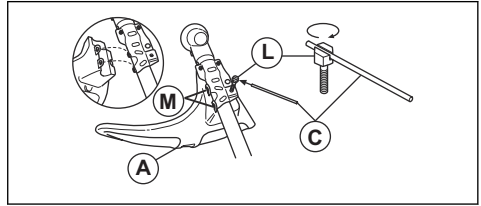
6. Fixez l'écrou (G).
7. Serrez l'écrou à l'aide de la clé à douille. Tenez le manche de la clé à douille près du protège-lame. Serrez dans la direction opposée à la rotation de l'accessoire de coupe. Serrez au couple de 35-50 Nm.



Pour fixer le carter de protection sur une tête de désherbage

1. Emboîtez le carter de protection (A) sur les deux crochets du support de tôle (M).
2. Pliez la protection autour du tube de transmission et fixez avec la vis (L) du côté opposé au tube de transmission.

3. Placez la goupille d'arrêt (C) dans la rainure de la tête du boulon et serrez le boulon complètement.



Lame de désherbage

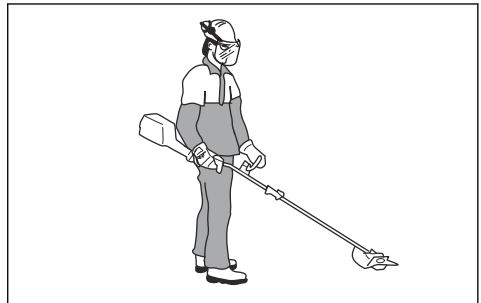
- Utilisez des lames affûtées correctement. Une lame mal affûtée ou endommagée augmente les risques de blessure.
- Utilisez des lames réglées correctement. Le réglage correct de la lame est de 1 mm. Une lame mal réglée augmente le risque de blessures et de dommages.
- Pour affûter et régler la lame correctement, reportez-vous aux instructions fournies avec la lame.

Pour équilibrer le produit



AVERTISSEMENT: Utilisez toujours le harnais lorsque vous utilisez la machine. Le harnais permet une maîtrise optimale du produit et réduit le risque de fatigue au niveau des bras et du dos.

- Enfiler le harnais.
- Connectez le crochet de suspension du produit au harnais et maintenez l'équipement de coupe parallèle au sol.
- Le produit est bien équilibré lorsque la lame est à une hauteur de coupe proche du sol.



Utilisation

Introduction



AVERTISSEMENT: Assurez-vous de lire et de comprendre le chapitre dédié à la sécurité avant d'utiliser l'appareil.

Pour régler le harnais

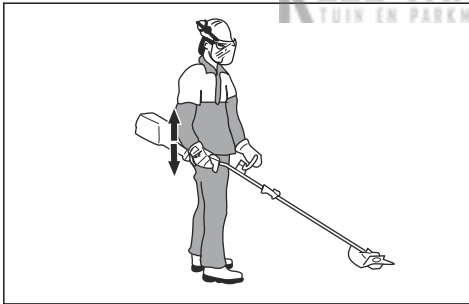


AVERTISSEMENT: Fixez toujours ce produit correctement au harnais. Si ce n'est pas le cas, vous ne pourrez pas contrôler le produit en toute sécurité, ce qui pourrait entraîner des blessures pour vous ou des tierces personnes. N'utilisez pas de harnais dont le dispositif de libération rapide est défectueux.



AVERTISSEMENT: En cas d'urgence, lâchez le harnais et le produit et laissez-le tomber au sol.

1. Enfiler le harnais.
2. Ajustez le harnais afin d'obtenir la position de travail la plus confortable.
3. Ajustez le harnais jusqu'à ce que l'équipement de coupe soit parallèle au sol.



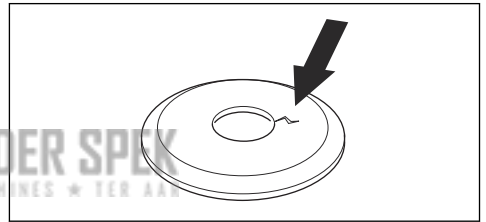
4. Si l'opération consiste à couper de l'herbe, laissez l'équipement de coupe reposer légèrement sur le sol. Ajustez l'attache du harnais pour équilibrer correctement le produit.

Position de travail

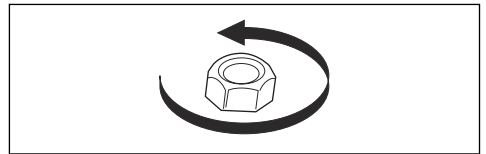
- Tenez l'appareil avec les deux mains.
- Tenez l'appareil du côté droit du corps.
- L'équipement de coupe doit se trouver sous la taille de l'utilisateur.
- Maintenez toutes les parties du corps à l'écart des surfaces chaudes.
- Maintenez toutes les parties du corps à l'écart de l'accessoire de coupe.

Avant d'utiliser le produit

- Examinez la zone de travail pour vous assurer que vous connaissez le type de terrain, l'inclinaison du sol et s'il y a des obstacles tels que des pierres, des branches et des fossés.
- Effectuez une inspection générale du produit.
- Effectuez les inspections de sécurité, de maintenance et d'entretien indiquées dans ce manuel.
- Assurez-vous que tous les capots, toutes les protections, les poignées et l'équipement de coupe sont correctement fixés et qu'ils ne sont pas endommagés.
- Assurez-vous qu'il n'y a pas de fissure au bas des dents de la lame à herbe ni autour du trou central de la lame. Remplacez la lame si elle est endommagée.
- Examinez la bride de support pour vérifier qu'elle ne présente pas de fissures. Remplacez la bride de support si elle est endommagée.

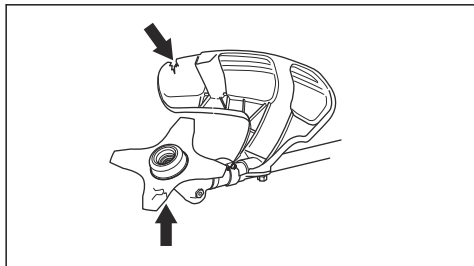


- Assurez-vous que le contre-écrou ne puisse pas être retiré à la main. Si vous pouvez le retirer à la main, il ne bloque pas suffisamment l'accessoire de coupe et vous devez le remplacer.



- Inspectez le protège-lame afin de repérer d'éventuels dommages ou fissures. Remplacez le protège-lame s'il a été touché ou s'il présente des fissures.
- Examinez la tête de désherbage et la protection de l'équipement de coupe pour vérifier l'absence de dommages ou fissures. Remplacez la tête de désherbage et la protection de l'équipement de

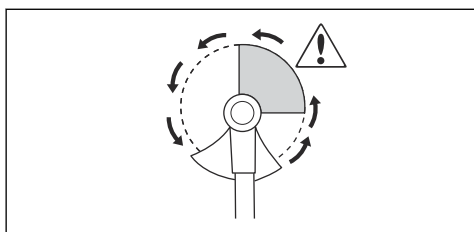
coupe si elles ont été touchées ou si elles présentent des fissures.



Rebond de la lame



AVERTISSEMENT: Un rebond de lame se produit lorsque l'appareil se déplace vers le côté rapidement et avec force. Un rebond se produit lorsque la lame à herbe heurte ou saisit un objet qui ne peut pas être coupé. Un rebond peut éjecter le produit ou l'utilisateur dans toutes les directions. Il y a un risque de blessure pour l'opérateur et les personnes présentes. Le risque augmente dans les zones où il n'est pas facile de voir le matériau qui doit être coupé. Ne coupez pas avec la partie grise de la lame, comme illustré. La vitesse et le mouvement de la lame peuvent provoquer un rebond. Le risque augmente avec l'épaisseur de la tige coupée.



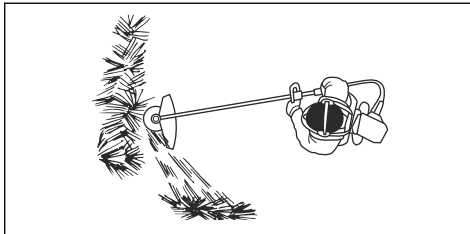
Débroussaillage avec une lame à herbe



REMARQUE: N'utilisez pas des lames à herbe et des couteaux à herbe sur du bois. Utilisez des lames à herbe et des couteaux à herbe sur de l'herbe longue ou épaisse uniquement.

- Déplacez le produit d'un côté à l'autre.
- Démarrez le mouvement de droite à gauche lorsque vous coupez. Déplacez le produit vers la droite avant de couper à nouveau.

- Coupez avec le côté gauche de la lame à herbe.



- Inclinez la lame à herbe vers la gauche pour faire tomber l'herbe dans une ligne. Cela permet de récupérer l'herbe plus facilement.
- Conservez une position stable, les pieds écartés.
- Avancez après chaque mouvement vers la droite et assurez-vous que vous avez une position stable avant de couper à nouveau.
- Maintenez le bol de garde au sol avec une légère pression contre le sol pour vous assurer que la lame à herbe ne heurte pas le sol.
- Respectez ces instructions afin de réduire le risque d'enroulement de matériaux autour de la lame à herbe :
 - a) Donner les pleins gaz.
 - b) Ne déplacez pas la lame à herbe à travers des matériaux coupés lorsque vous déplacez le produit de gauche à droite.
- Avant de récupérer la végétation coupée, arrêtez le moteur et retirez le produit du harnais. Posez le produit au sol.

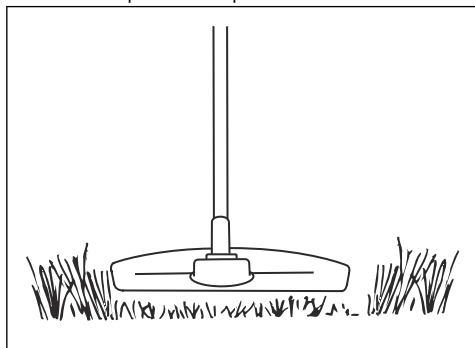
Pour désépaissir l'herbe avec une lame à herbe

1. N'utilisez pas les lames et les couteaux à herbe pour les tiges ligneuses.
2. La lame à herbe s'utilise pour tous les types d'herbe haute ou épaisse.
3. Fauchez l'herbe d'un mouvement de balancier latéral, le mouvement de droite à gauche constituant la fauche et le mouvement de gauche à droite le retour. Faites travailler la lame du côté gauche (secteur 8 h à 12 h).
4. Si on penche légèrement la lame vers la gauche pendant le débroussaillage, l'herbe coupée est disposée en bandes, ce qui facilite le ramassage, par exemple lors du ratissage.
5. Essayez d'adopter un rythme de travail régulier. Adoptez une position stable, les pieds écartés. Faites un pas en avant après le mouvement de retour et reprenez la même position stable.
6. Laissez le bol de garde au sol. Son rôle est de protéger la lame contre tout contact avec le sol.
7. Réduisez les risques d'enroulement des matériaux autour de la lame en travaillant toujours à vitesse maximale et en évitant de toucher le matériel végétal coupé au cours du mouvement de retour.

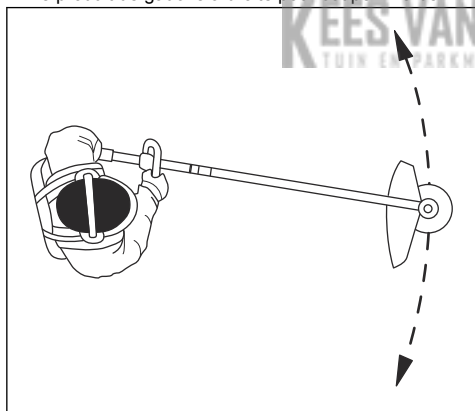
8. Arrêtez le moteur, ouvrez le harnais et posez la machine par terre avant de rassembler le matériel végétal coupé.

Pour couper l'herbe

1. Assurez-vous que le fil du coupe-herbe est parallèle au sol lorsque vous coupez l'herbe.



2. N'appuyez pas la tête de désherbage sur le sol. Le sol et le produit peuvent être endommagés.
3. Ne laissez pas la tête de désherbage toucher le sol en continu. Cela peut endommager la tête de désherbage.
4. Utilisez la vitesse maximale lorsque vous déplacez le produit de gauche à droite pour couper l'herbe.



Assurez-vous que le fil du coupe-herbe est parallèle au sol.

Pour balayer l'herbe

Le débit d'air du fil de coupe en rotation peut être utilisé pour éliminer l'herbe coupée d'une zone.

1. Maintenez la tête de désherbage et son fil parallèles au sol et au-dessus du sol.
2. Faites-le tourner à plein régime.
3. Déplacez la tête de désherbage d'un côté à l'autre et balayez l'herbe.



AVERTISSEMENT: Nettoyez le capot de la tête de désherbage chaque fois que vous remettez un câble neuf pour éviter un déséquilibre et des vibrations dans les poignées. Vérifiez également les autres pièces de la tête de désherbage et nettoyez au besoin.

Entretien

Introduction



AVERTISSEMENT: Avant d'effectuer des travaux d'entretien, vous devez lire et comprendre le chapitre sur la sécurité.

Calendrier de maintenance



AVERTISSEMENT: Retirez la batterie avant d'effectuer l'entretien.

La liste ci-dessous indique les étapes d'entretien à effectuer sur le produit.

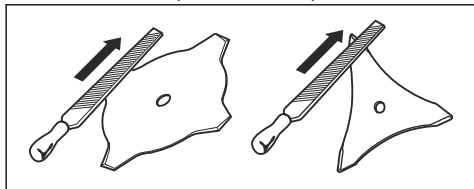
| Entretien | Au quotidien | Toutes les semaines | Une fois par mois |
|--|--------------|---------------------|-------------------|
| Nettoyez les pièces externes du produit avec un chiffon sec. N'utilisez pas d'eau. | X | | |
| Assurez-vous que l'accessoire de coupe n'est pas endommagé. Remplacez l'accessoire de coupe si celui-ci est endommagé. | X | | |
| Assurez-vous que la protection de l'accessoire de coupe n'est pas endommagée. Remplacez la protection de l'accessoire de coupe si celle-ci est endommagée. | X | | |
| Assurez-vous que les vis et les écrous sont serrés. | X | | |
| Vérifiez que le renvoi d'angle est au 3/4 rempli de graisse. Au besoin, faites un remplissage d'appoint avec une graisse spéciale. | | X | |

Pour affûter le couteau à herbe et la lame à herbe



AVERTISSEMENT: Arrêtez le moteur. Utilisez des gants de protection.

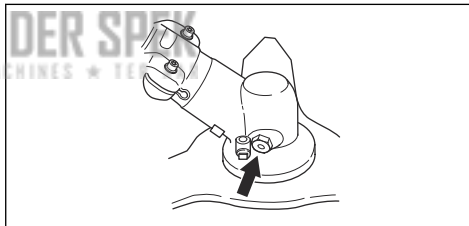
- Pour affûter correctement le couteau à herbe ou la lame à herbe, reportez-vous aux instructions fournies avec l'accessoire de coupe.
- Affûtez tous les bords de manière égale afin de maintenir l'équilibre.
- Utilisez une lime plate à taille simple.



AVERTISSEMENT: Jetez toujours une lame endommagée. N'essayez pas de redresser une lame tordue ou pliée ni de la réutiliser.

Renvoi d'angle

Le renvoi d'angle est rempli aux $\frac{3}{4}$ avec de la graisse en usine. Avant toute utilisation, assurez-vous que le niveau de graisse n'a pas changé. Utilisez de la graisse spéciale Husqvarna s'il est nécessaire de faire le plein. Ne modifiez pas la graisse dans le renvoi d'angle. Laissez le personnel d'entretien effectuer la réparation du renvoi d'angle.



Caractéristiques techniques

Caractéristiques techniques

325iLK+ accessoire pour débroussailleuse BCA850

Moteur

| | |
|--|---------|
| 325iLK+ accessoire pour débroussailluse BCA850 | |
| Régime de l'arbre de sortie, 1/min ²¹ | 5 800 |
| Poids | |
| Poids, kg | 3,7+1,6 |
| Coupe | |
| Profondeur de coupe, en mm | Ø 255 |
| Émissions sonores²² | |
| Niveau de puissance sonore mesuré dB(A) | 95 |
| Niveau de puissance acoustique, garanti L _{WA} dB(A) | 96 |
| Niveaux sonores²³ | |
| Pression acoustique équivalente au niveau des oreilles de l'utilisateur, mesurée selon la norme ISO 22868, dB(A) : | |
| Équipée d'une tête de désherbage (d'origine) | 82 |
| Niveaux de vibrations²⁴ | |
| Niveau de vibration au niveau des poignées mesuré selon la norme ISO 22867 en m/s ² | |
| Équipée d'une lame de désherbage (d'origine), gauche/droite | 3,3/1,5 |

KEES VAN DER SPEK Accessoires

Accessoires

| Accessoires homologués avec l'accessoire BCA850 | Type d'accessoire | Protection pour équipement de coupe, réf. |
|---|---|---|
| Filet axe de lame M10 | | |
| Trou central des lames/couteaux Ø 25,4 mm | | |
| Lame/couteau à herbe | Lame à herbe 255-4, 1" (Ø 255, 4 dents) | 588 11 79-01 |

²¹ Tours/minute

²² émissions sonores dans l'environnement mesurées comme puissance acoustique (LWA) selon la directive UE 2000/14/CE. Le niveau de puissance sonore reporté pour la machine a été mesuré avec l'équipement de coupe d'origine qui donne le niveau le plus élevé. Le niveau de puissance sonore garanti diffère du niveau mesuré en cela qu'il prend également en compte la dispersion et les variations d'une machine à l'autre du même modèle, conformément à la directive 2000/14/CE.

²³ Les données reportées pour le niveau de pression acoustique de la machine ont une dispersion statistique typique (déviations standard) de 3 dB (A) et ont été mesurées avec l'équipement d'origine qui donne le niveau le plus élevé.

²⁴ Les données reportées pour le niveau de vibrations montrent une dispersion statistique typique (déviations standard) de 2 m/s². Pour comparer les niveaux de vibrations, la batterie et les produits de combustion utilisent le calculateur de vibrations. <https://www.husqvarna.com/fr/services-solutions/calculateur-de-vibrations/>.

Déclaration de conformité CE

Déclaration de conformité CE

Husqvarna AB, SE-561 82 Huskvarna, Sweden, tel: +46-36-146500, déclarons que l'accessoire de débroussailleuse Husqvarna BCA850 à partir des numéros de série de l'année 2019 et ultérieurement (l'année est clairement indiquée sur la plaque signalétique et suivie du numéro de série) et la tête d'alimentation 325iLK est conforme aux dispositions de la DIRECTIVE DU CONSEIL :

- du 17 mai 2006 « relative aux machines » **2006/42/CE.**
- du 26 février 2014 « relative à la compatibilité électromagnétique » **2014/30/UE.**
- du 8 mai 2000 « émissions sonores dans l'environnement » **2000/14/CE.**
- du 8 juin 2011 relative à la « limitation de l'utilisation de certaines substances dangereuses au sein d'équipements électriques et électroniques » **2011/65/UE**

Les normes harmonisées suivantes ont été appliquées : IEC 62841-1:2014, EN ISO 11806-1:2011, EN 50581:2012

RISE SMP Svensk Maskinprovning AB, Box 7035, SE-750 07 Uppsala, Sweden, Box 7035, SE-750 07 Uppsala, Sweden, a procédé à des tests de type CE conformément à l'article 12, point 3b de la directive machines (2006/42/CE). Le certificat porte le numéro :

RISE SMP Svensk Maskinprovning AB a également vérifié la conformité avec l'annexe V de la directive du conseil 2000/14/CE. Le certificat porte le numéro : 01/1610/010

Pour toute information relative aux émissions sonores, veuillez consulter la section *Caractéristiques techniques à la page 82.*

Huskvarna



Pär Gustafsson, directeur du développement
(représentant autorisé d'Husqvarna AB et responsable de la documentation technique.)

Sommario

| | | | |
|-------------------|----|-------------------------------------|----|
| Introduzione..... | 85 | Manutenzione..... | 95 |
| Sicurezza..... | 86 | Dati tecnici..... | 96 |
| Montaggio..... | 90 | Accessori..... | 97 |
| Utilizzo..... | 92 | Dichiarazione di conformità CE..... | 98 |

Introduzione

Descrizione del prodotto

Procediamo costantemente allo sviluppo dei nostri prodotti e ci riserviamo quindi il diritto di apportare, senza alcun preavviso, modifiche riguardanti fra l'altro la forma e l'aspetto esteriore.

Nota: Questo manuale descrive il funzionamento delle unità a batteria.

Uso previsto



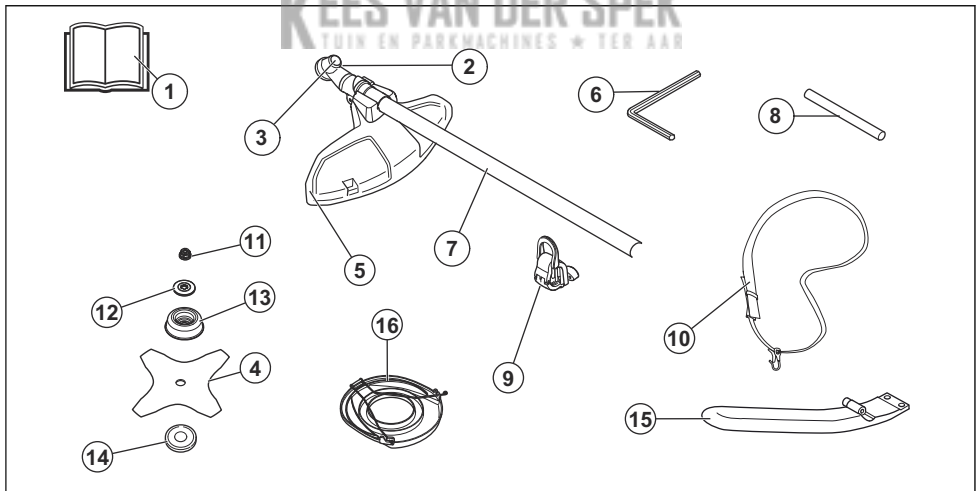
AVVERTENZA: Questo accessorio può essere usato solo insieme al prodotto per

cui è stato progettato, vedere il capitolo sugli accessori nel manuale dell'operatore del prodotto.

Si tratta di un decespugliatore in grado di tagliare diversi tipi di vegetazione. Non utilizzare il prodotto per operazioni diverse dalla bordatura e dallo sfoltimento dell'erba. Utilizzare una lama tagliaerba per tagliare l'erba.

Nota: La normativa nazionale o locale potrebbe regolarne l'utilizzo. Assicurare la conformità alla normativa in vigore.

Panoramica del prodotto



1. Manuale operatore
2. Riduttore angolare
3. Foro per la spina di bloccaggio
4. Lama tagliaerba
5. Protezione del gruppo di taglio
6. 4 mm esagonale
7. Albero
8. Spina di bloccaggio
9. Gancio di sospensione imbracatura
10. Cinghiaggio
11. Controdado
12. Flangia di sostegno
13. Coppa di sostegno
14. Menabrida

15. Impugnatura J
16. Protezione di trasporto

Simboli riportati sul prodotto



AVVERTENZA! L'uso negligente o improprio di questo accessorio può provocare lesioni gravi o mortali all'operatore o a terzi.



Utilizzare un elmetto protettivo in luoghi in cui gli oggetti potrebbero cadere. Usare cuffie protettive omologate. Utilizzare protezioni per gli occhi omologate.



Velocità massima dell'albero in uscita.



Tenere le parti del corpo lontano dalle superfici roventi.



Il prodotto può causare l'espulsione di oggetti in grado di provocare lesioni.



Esiste il rischio di spinta della lama se l'attrezzatura di taglio entra in contatto con un oggetto che non riesce a tagliare immediatamente. Il prodotto può tagliare parti del corpo. Tenersi a una distanza minima di 15 m / 50 ft da persone e animali quando il prodotto è in funzione.



Utilizzare guanti protettivi omologati.



Utilizzare robusti stivali antiscivolo.



L'operatore deve controllare che non vi siano persone o animali in un raggio di 15 metri. Anche più conducenti che lavorino contemporaneamente nello stesso luogo devono mantenere tra loro una distanza di sicurezza non inferiore a 15 metri. L'accessorio può urtare violentemente oggetti che possono rimbalzare, causando seri danni agli occhi se non vengono usati i dispositivi di sicurezza consigliati.



Emissioni di rumore nell'ambiente in base alla direttiva della Comunità Europea. Le emissioni dell'accessorio sono specificate nel capitolo Dati tecnici e sull'etichetta.

aaaaassxxx

La targhetta dati di funzionamento riporta il numero di serie. **aaaa** è l'anno di produzione, **ss** è la settimana di produzione e **xxxx** è il numero sequenziale.

Nota: I restanti simboli/decalcomanie sul prodotto riguardano particolari requisiti necessari per ottenere la certificazione in altre aree commerciali.

Produttore

Husqvarna AB

Drottninggatan 2, SE-561 82 Huskvarna, Sweden, tel: +46-36-146500

Sicurezza

Definizioni di sicurezza

Le avvertenze, le precauzioni e le note sono utilizzate per evidenziare le parti importanti del manuale.



AVVERTENZA: Utilizzato se è presente un rischio di lesioni o morte dell'operatore o di passanti nel caso in cui le istruzioni del manuale non vengano rispettate.



ATTENZIONE: Utilizzato se è presente un rischio di danni al prodotto, ad altri materiali oppure alla zona adiacente nel caso in cui le istruzioni del manuale non vengano rispettate.

Nota: Utilizzato per fornire ulteriori informazioni necessarie in una determinata situazione.

Avvertenze generali di sicurezza dell'elettrotensile



AVVERTENZA: Leggere tutte le avvertenze di sicurezza, le istruzioni, le illustrazioni e le specifiche fornite con questo elettrotensile. La mancata osservanza di tutte le istruzioni elencate di seguito può dare luogo a scosse elettriche, incendi e/o gravi lesioni.

Nota: Conservare tutte le avvertenze e le istruzioni per la futura consultazione. Nelle avvertenze, il termine "elettroutensile" si riferisce al vostro elettroutensile alimentato tramite rete elettrica (con cavo) o a batteria (senza fili).

Altre informazioni generali sulla sicurezza

- Gli spostamenti vanno sempre eseguiti con il prodotto spento. Rimuovere sempre la batteria prima di passare il prodotto a un'altra persona.
- Non poggiare mai il prodotto al suolo se non è stato spento e non è stata rimossa la batteria. Non lasciare il prodotto senza supervisione se acceso.
- L'attrezzo di taglio non si ferma immediatamente dopo che il prodotto è stato spento.
- La lama deve essere completamente arrestata una volta che l'interruttore di comando è tornato nella posizione iniziale.
- Prima di utilizzare il prodotto e dopo ogni impatto, controllare eventuali segni di usura o danno e, se necessario, ripararli.
- Se un oggetto si blocca nel gruppo di taglio durante l'utilizzo del prodotto, arrestare e disattivare il dispositivo. Accertarsi che il gruppo di taglio si arresti completamente. Rimuovere la batteria prima di procedere alla pulizia, all'ispezione o alla riparazione del prodotto e/o del gruppo di taglio.
- Eseguire il controllo del prodotto prima dell'utilizzo. Vedere *Panoramica del prodotto alla pagina 85 e Controllo della protezione del gruppo di taglio alla pagina 89*. Non utilizzare un prodotto difettoso. Eseguire i controlli di sicurezza e attenersi alle istruzioni di manutenzione e riparazione riportate nel presente manuale.
- Un gruppo di taglio difettoso può aumentare il rischio di incidenti.
- Verificare che l'ingranaggio non sia sporco o danneggiato. Rimuovere l'erba e il fogliame dall'ingranaggio utilizzando una spazzola. Usare i guanti quando è necessario.
- Assicurarsi sempre che le aperture di ventilazione siano sgombre da detriti.
- Controllare che la testina portafilo sia saldamente attaccata alla macchina.
- Tutti i carter, le protezioni e le impugnature devono essere montati prima di avviare la macchina.
- Controllare che il prodotto sia in perfette condizioni. Controllare che tutti i dadi e le viti siano ben serrati.
- Controllare la testina portafilo e la protezione parasassi e verificare che siano intatte e non presentino incrinature. Sostituire la testina portafilo o la protezione parasassi nel caso in cui abbia subito degli urti o presenti incrinature. Usare sempre la protezione consigliata per ogni specifico gruppo di taglio. Vedi capitolo Dati tecnici.
- Questo prodotto è uno strumento pericoloso se non si presta attenzione o se si utilizza il prodotto in modo errato. Il prodotto può causare gravi lesioni o morte dell'operatore o altre persone.
- Questo apparecchio non è destinato all'utilizzo da parte di persone (bambini inclusi) con ridotte capacità fisiche, sensoriali o mentali, oppure con mancanza di esperienza e conoscenza, a meno che non siano controllate o siano state istruite durante l'utilizzo da una persona responsabile della loro sicurezza. I bambini devono essere sorvegliati per evitare che giochino con l'apparecchio.
- non consentire mai a bambini di utilizzare la macchina o avvicinarsi a essa. Data l'estrema facilità di avviamento della macchina, i bambini potrebbero essere in grado di avviarla se non sorvegliati. Sussiste il rischio di gravi lesioni personali. Quindi scollegare la batteria quando la macchina è lasciata incustodita.
- Non consentire mai l'uso e la manutenzione del prodotto a bambini o a persone non qualificate e non lasciare la batteria collegata.
- La normativa nazionale o locale potrebbe regolarne l'utilizzo. Assicurare la conformità alla normativa in vigore.
- Conservare l'attrezzatura in un luogo chiuso a chiave e quindi lontano dalla portata di bambini e di persone non autorizzate.
- La protezione di trasporto deve essere sempre utilizzata per lo stoccaggio e il trasporto.
- Mettere in sicurezza il prodotto durante il trasporto.
- Mantenere sempre mani e piedi fuori dall'area di taglio, specialmente quando si aziona il motore.
- Tenere le mani e i piedi lontani dal gruppo di taglio fino al suo completo arresto quando il prodotto viene disattivato.
- Non rimuovere il materiale tagliato né permettere ad altre persone di rimuoverlo mentre il prodotto è attivato o mentre l'attrezzatura di taglio ruota, perché ciò potrebbe causare gravi lesioni.
- Si prega di notare che l'operatore è responsabile di eventuali incidenti o pericoli a persone o cose.
- Evitare assolutamente di modificare la versione originale del prodotto senza l'autorizzazione del fabbricante. Utilizzare sempre accessori originali. Modifiche e/o accessori non autorizzati possono causare gravi lesioni personali o mortali all'operatore o a terzi. La garanzia non copre i danni o inconvenienti causati dall'uso di accessori o pezzi di ricambio non omologati.
- I soli accessori che si possono utilizzare con questo prodotto sono i gruppi di taglio da noi consigliati nel capitolo Dati tecnici.
- Non usare mai un prodotto che abbia subito modifiche tali da non corrispondere più alle specifiche originali
- Non usare mai un prodotto difettoso. Eseguire i controlli di sicurezza e attenersi alle istruzioni di manutenzione e riparazione riportate nel presente manuale. Alcuni interventi devono essere eseguiti da

personale specializzato. Vedere le istruzioni alla sezione Manutenzione.

- Lavorare in condizioni meteorologiche avverse è spesso stancante e comporta un ulteriore rischio. A causa di questo ulteriore rischio, si consiglia di non utilizzare il prodotto in condizioni meteorologiche sfavorevoli, per esempio, in presenza di nebbia fitta, pioggia battente, vento forte, freddo intenso, rischio di fulmini, ecc.
- Non lavorare mai su una scala, uno sgabello o in altra posizione sollevata da terra che non sia ben fissata.
- Riporre gli apparecchi non utilizzati in ambienti chiusi.
- Non è possibile coprire tutte le situazioni immaginabili che potreste affrontare. Prestare sempre attenzione e usare il buon senso. Evitate tutte le situazioni che ritenete essere superiori alle vostre capacità. Se dopo aver letto le presenti istruzioni avete ancora dubbi in merito alle procedure operative, rivolgetevi a un esperto prima di continuare.
- Controllare che non vi siano persone o animali in un raggio di 15 metri durante il lavoro. Nel caso in cui più utenti stiano lavorando nella stessa zona, la distanza di sicurezza deve essere almeno 15 metri. Altrimenti vi è il rischio di gravi lesioni personali. Arrestare immediatamente l'unità nel caso qualcuno si avvicini. Non girarsi mai con il prodotto in azione senza prima aver controllato che non ci sia nessuno alle vostre spalle entro la zona di sicurezza.
- Se un oggetto si blocca nel gruppo di taglio durante l'utilizzo del prodotto, arrestare e disattivare il dispositivo. Accertarsi che il gruppo di taglio si arresti completamente. Rimuovere la batteria prima di procedere alla pulizia, all'ispezione o alla riparazione del prodotto e/o del gruppo di taglio.
- Accertarsi che la presenza di persone, animali o altro non possa influire sul controllo del prodotto o che non vengano a contatto con il gruppo di taglio o che oggetti allentati possano essere scagliati in aria dal gruppo di taglio. Non utilizzare il prodotto se non si è certi di poter chiedere aiuto in caso di incidente.
- Accertarsi di poter camminare e lavorare in sicurezza. In caso di spostamenti, controllare che non vi siano ostacoli (ceppi, radici, rami, fossati ecc.). Fare particolare attenzione quando si lavora su terreni in pendenza.
- Procedere adagio, non correre.
- Controllare l'area di lavoro. Asportare eventuali corpi estranei quali pietre, frammenti di vetro, chiodi, fili di acciaio, corde ecc. che potrebbero essere scagliati oppure avvolgere il tagliante o la relativa protezione.
- Fare attenzione ad eventuali ramoscelli che potrebbero venir lanciati in aria durante il taglio. Non effettuare tagli troppo vicini al terreno, in quanto pietre e altri corpi estranei potrebbero venire scagliati in aria.

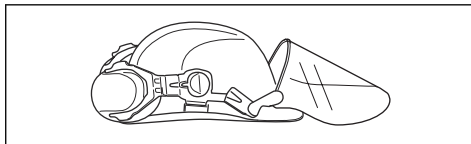
- Assicurarsi che all'accensione, il gruppo di taglio non entri in contatto con vestiti o parti del corpo. Tenere il prodotto al di sotto della cintura.
- Rischio di oggetti volanti. Usare sempre protezione per gli occhi omologata. Evitare di lavorare inclinati verso la protezione del gruppo di taglio. C'è la possibilità di essere colpiti a un occhio da un sasso, un ramo o altri oggetti sollevatisi dal terreno, con conseguenze anche molto gravi, quali la cecità.
- Far sempre attenzione a segnali di allarme o eventuali grida quando si utilizzano le cuffie protettive. Togliere sempre le cuffie protettive immediatamente all'arresto del prodotto.
- In caso di vibrazioni indesiderate, tagliare il nuovo filo alla lunghezza giusta per interrompere le vibrazioni.
- Se il prodotto inizia a vibrare in modo anomalo, arrestarlo e rimuovere la batteria.
- La sovraesposizione alle vibrazioni può causare lesioni neuro-vascolari a chi soffre di cattiva circolazione. In caso di sintomi riferibili a sovraesposizione alle vibrazioni rivolgersi al proprio medico. Esempi di questi sintomi: intorpidimento, perdita di sensibilità, "formicolio", "torpore", dolore, mancanza di forza o riduzione delle forze normali, alterazioni di colore o aspetto della pelle. Tali sintomi si riscontrano generalmente nelle mani, nei polsi e alle dita.
- Tenere sempre saldamente il prodotto con entrambe le mani. Tenere il prodotto sul lato destro del proprio corpo.

Abbigliamento protettivo personale

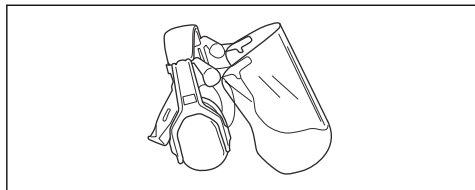


AVVERTENZA: leggere le seguenti avvertenze prima di utilizzare il prodotto.

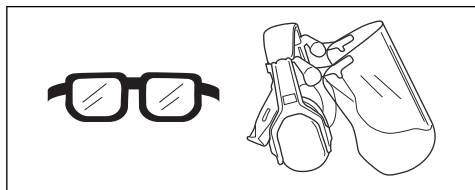
- Usare sempre abbigliamento protettivo personale omologato quando si utilizza il prodotto. L'uso di abbigliamento protettivo personale non elimina il rischio di lesioni, ma ne riduce la gravità in caso di incidente. Farsi consigliare dal rivenditore per la scelta dell'attrezzatura adatta.
- Elmetto protettivo laddove sussiste il rischio di caduta di oggetti



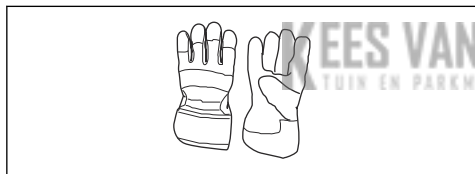
- Usare cuffie protettive con effetto insonorizzante adeguato. Una lunga esposizione al rumore può comportare lesioni permanenti all'udito.



- Utilizzare protezioni per gli occhi omologate. Con l'uso della visiera è necessario anche l'uso di occhiali protettivi omologati. Con il termine occhiali protettivi omologati si intendono occhiali che siano conformi alle norme ANSI Z87.1 per gli USA o EN 166 per i paesi EU.



- Indossare guanti ove necessario, ad esempio per montare, ispezionare o pulire l'attrezzatura di taglio.



- Utilizzare stivali robusti e antisdrucchiolo.



- Indossare indumenti di tessuto resistente. Indossare sempre pantaloni lunghi e pesanti e maniche lunghe. Non indossare indumenti larghi che potrebbero impigliarsi nei ramoscelli e nei rami. Non indossare gioielli, pantaloni corti o sandali e non lavorare a piedi nudi. Raccogliere i capelli in modo sicuro sopra le spalle.

- Tenere a portata di mano il kit di primo soccorso.



Dispositivi di sicurezza sul prodotto



AVVERTENZA: Leggere le seguenti avvertenze prima di utilizzare il prodotto.

In questo capitolo vengono presentati i dispositivi di sicurezza del prodotto, la loro funzione, il controllo e la manutenzione necessari per assicurarne una funzione ottimale. Servirsi delle istruzioni nella sezione *Introduzione alla pagina 85* per localizzare questi dispositivi sulla motosega.

La durata del prodotto può ridursi e il rischio di incidenti aumentare se la manutenzione non viene eseguita correttamente e se l'assistenza e/o le riparazioni non vengono effettuate da personale qualificato. Per ulteriori informazioni, contattare il rivenditore con assistenza più vicino.



AVVERTENZA: Non utilizzare mai una macchina con dispositivi di sicurezza difettosi. I dispositivi di sicurezza del prodotto vanno controllati e sottoposti a manutenzione secondo quanto descritto in questo capitolo. Se il prodotto non supera tutti i controlli, contattare un'officina per le necessarie riparazioni.



ATTENZIONE: tutte le riparazioni e l'assistenza della macchina vanno eseguite da personale specializzato. Quanto detto vale in particolare per i dispositivi di sicurezza della macchina. Se la macchina non supera tutti i controlli sottoelencati, contattare l'officina autorizzata. L'acquisto di uno dei nostri prodotti garantisce l'assistenza di personale qualificato. Se non avete acquistato la macchina presso un rivenditore con centro di assistenza, informatevi sull'ubicazione della più vicina officina autorizzata.

Controllo della protezione del gruppo di taglio

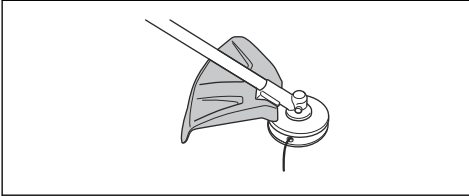


AVVERTENZA: Non utilizzare un gruppo di taglio senza che sia stata montata una apposita protezione approvata e fissata correttamente. Usare sempre la protezione del gruppo di taglio consigliata per il gruppo di taglio utilizzato, vedere *Accessori alla pagina 97*. Il montaggio di una protezione

del gruppo di taglio inadeguata o difettosa può provocare gravi lesioni personali.

La protezione del gruppo di taglio impedisce che gli oggetti vengano scagliati in direzione dell'operatore. Inoltre impedisce gli infortuni che si verificano nel caso in cui si venga a contatto con il gruppo di taglio.

1. Arrestare il motore.
2. Eseguire un controllo visivo per verificare l'eventuale presenza di danni, ad esempio incrinature.



3. Se danneggiata, sostituire la protezione del gruppo di taglio.

Istruzioni di sicurezza per il montaggio



AVVERTENZA: Leggere, comprendere e rispettare attentamente queste istruzioni prima di utilizzare il prodotto.

- Rimuovere la batteria dal prodotto prima di assemblarlo.
- Utilizzare guanti protettivi omologati.
- Una protezione difettosa o non corretta può causare lesioni. Non utilizzare un gruppo di taglio senza una protezione omologata fissata.
- Assicurarsi di montare il coperchio e l'albero corretto prima di avviare il prodotto.
- Il menabrida e la flangia di sostegno devono inserirsi correttamente nel foro centrale del gruppo di taglio.

Un gruppo di taglio fissato in modo errato può causare lesioni gravi o mortali.

- Per utilizzare il prodotto in modo sicuro e prevenire lesioni all'operatore o ad altre persone, il prodotto deve essere sempre fissato correttamente al cinghiaggio.

Istruzioni di sicurezza per la manutenzione



AVVERTENZA: Leggere le avvertenze seguenti prima di eseguire la manutenzione del prodotto.

- Rimuovere la batteria prima di eseguire la manutenzione, altri controlli o montare il prodotto.
- L'operatore deve eseguire solo gli interventi di manutenzione e assistenza indicati in questo manuale operatore. Rivolgersi al Centro di assistenza di competenza per interventi di manutenzione e assistenza più importanti.
- Non pulire la batteria o il caricabatteria con acqua. Detergenti aggressivi possono causare danni alla plastica.
- Se non si esegue la manutenzione, si riduce il ciclo di vita del prodotto e aumenta il rischio di incidenti.
- È necessaria una formazione specifica per eseguire tutti gli interventi di manutenzione e lavori di riparazione, in particolare per i dispositivi di sicurezza del prodotto. Se non vengono approvati tutti i controlli descritti nel presente manuale operatore, dopo aver eseguito la manutenzione, contattare il Centro di assistenza. La nostra azienda garantisce la disponibilità di personale qualificato per le riparazioni e l'assistenza del prodotto.

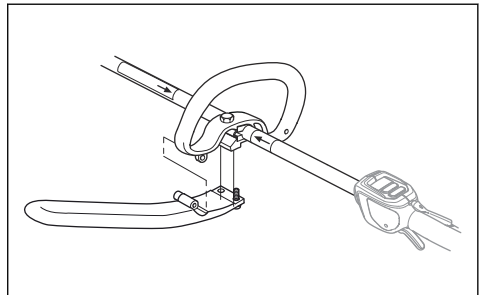
Montaggio

Assemblaggio dell'impugnatura a J



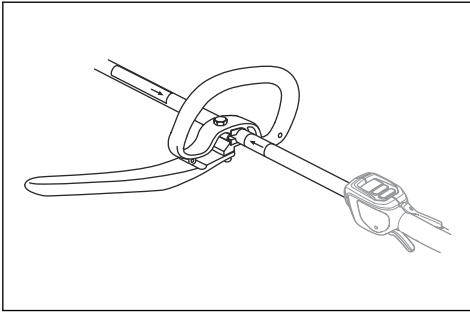
AVVERTENZA: L'impugnatura a J deve essere fissata all'impugnatura ad anello se si intende utilizzare il prodotto con uno qualsiasi dei gruppi di taglio consigliati per il metallo.

1. Fissare l'impugnatura a J all'impugnatura ad anello con 3 viti.



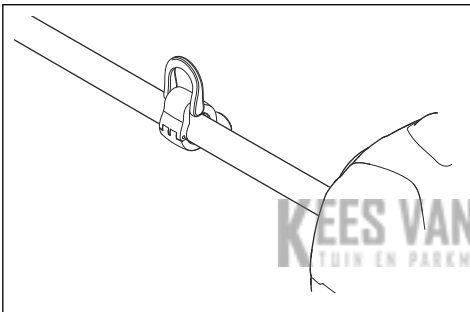
2. Regolare il prodotto in una posizione comoda.

- Serrare le viti.



Montaggio del gancio di sospensione del cinghiaggio, se applicabile

- Montare l'anello di sospensione del cinghiaggio tra le frecce sull'impugnatura posteriore e l'impugnatura ad anello.



Nota: Non posizionare l'impugnatura ad anello sulla decalcomania.

- Regolare l'anello in modo da bilanciare il prodotto, e da facilitarne l'utilizzo.

Per montare l'attrezzatura di taglio

L'attrezzatura di taglio comprende un gruppo di taglio e una protezione del gruppo di taglio.



AVVERTENZA: Usare guanti protettivi.



AVVERTENZA: Usare sempre la protezione del gruppo di taglio consigliata per il gruppo di taglio. Vedere *Dati tecnici alla pagina 96*.

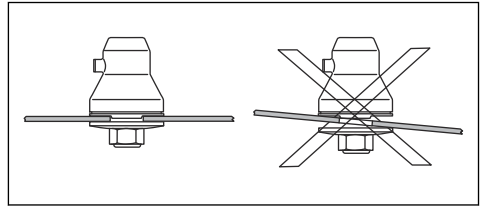


AVVERTENZA: Un gruppo di taglio fissato in modo errato può causare lesioni gravi o mortali.

Montaggio delle lame



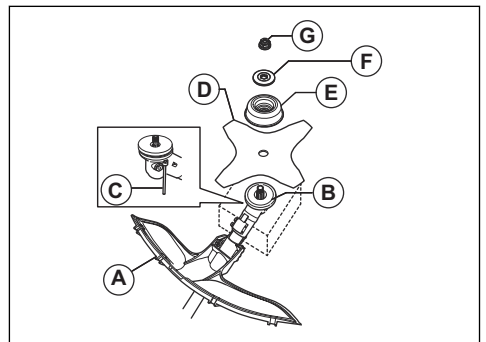
AVVERTENZA: Durante il montaggio del gruppo di taglio è di estrema importanza fare in modo che la guida del menabrida/flangia di sostegno sia posizionata nel modo corretto nel foro centrale del gruppo di taglio. Un gruppo di taglio montato in modo errato può causare lesioni personali molto gravi e/o perfino mortali.



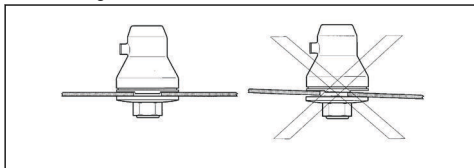
AVVERTENZA: Non usare mai alcun gruppo di taglio senza una protezione omologata. Vedere il capitolo Dati Tecnici. Se è presente una protezione errata o difettosa o se l'impugnatura a J è assente quando si usa il gruppo di taglio per il metallo, possono prodursi gravi lesioni personali.

Fissaggio della lama tagliaerba

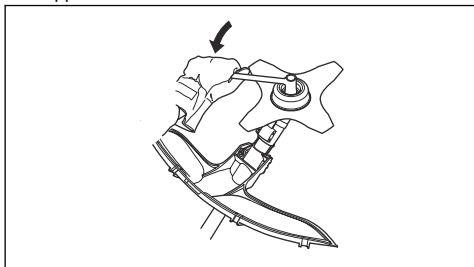
- Posizionare l'ingranaggio del prodotto su una superficie piana, per assicurarsi che la lama sia posizionata correttamente.
- Girare l'albero in uscita per far coincidere uno dei fori della menabrida (B) con il foro corrispondente nella scatola ingranaggi.
- Introdurre nel foro la spina di bloccaggio (C) per bloccare l'albero.
- Collocare la lama tagliaerba (D), la coppa di sostegno (E) e la flangia di sostegno (F) sull'albero in uscita.



5. Assicurarsi che il menabrida e la flangia di sostegno si inseriscano correttamente nel foro centrale della lama tagliaerba.

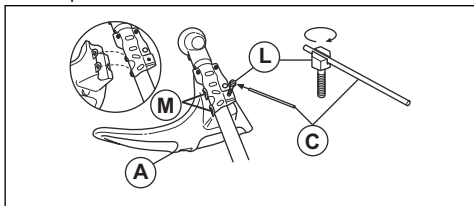


6. Fissare il dado (G).
7. Serrare il dado con la chiave a brugola. Tenere l'albero della chiave a brugola in prossimità della protezione della lama. Serrare in direzione opposta alla rotazione del gruppo di taglio. Serrare a una coppia di 35-50 Nm.



Montaggio della protezione parasassi per una testina portafilo

1. Agganciare la protezione parasassi (A) ai due ganci sul supporto della piastra (M).
2. Piegarla la protezione attorno all'albero e fissarla con il bullone (L) sul lato opposto dell'albero.
3. Inserire la spina di bloccaggio (C) nella scanalatura sulla testa del bullone e serrare il bullone completamente.



Lama tagliaerba

- Utilizzare lame affilate in modo corretto. Una lama mal affilata o danneggiata aumenta il rischio di lesioni.
- Utilizzare lame disposte nel modo corretto. Una lama disposta nel modo corretto è pari a 1 mm. Una lama disposta in modo scorretto aumenta il rischio di lesioni e danni.
- Per affilare la lama e disporla correttamente fare riferimento alle istruzioni fornite con la lama.

Bilanciamento del prodotto



AVVERTENZA: Utilizzare sempre il cinghiaggio durante l'utilizzo del prodotto. Il cinghiaggio offre il massimo controllo del prodotto e riduce il rischio di affaticamento delle braccia e della schiena.

- Indossare il cinghiaggio.
- Collegare il gancio di sospensione del prodotto al cinghiaggio e mantenere il gruppo di taglio parallelo al terreno.
- Il prodotto è bilanciato in modo corretto quando la lama è all'altezza di taglio vicina al terreno.



Utilizzo

Introduzione



AVVERTENZA: Leggere e comprendere il capitolo sulla sicurezza prima di utilizzare la macchina.

Regolazione del cinghiaggio



AVVERTENZA: Collegare sempre il prodotto al cinghiaggio correttamente. In caso contrario, non è possibile controllare il prodotto in modo sicuro e ciò può provocare lesioni all'operatore o a terzi. Non usare un

cinghiaggio con dispositivo di sgancio rapido difettoso.



AVVERTENZA: In caso di emergenza, lasciare cadere a terra il cinghiaggio e il prodotto.

1. Indossare il cinghiaggio.
2. Regolare il cinghiaggio in modo da assumere la posizione di lavoro migliore.
3. Regolare il cinghiaggio per far sì che il gruppo di taglio sia parallelo al terreno.



4. Se l'operazione consiste nel tagliare l'erba, lasciare che il gruppo di taglio si appoggi leggermente al terreno. Regolare la fascetta del cinghiaggio per bilanciare il prodotto correttamente.

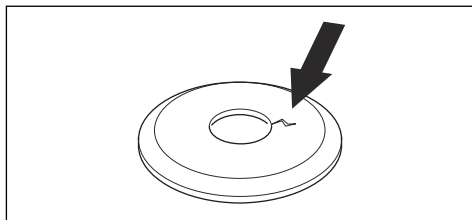
Posizione di lavoro

- Tenere il prodotto con entrambe le mani.
- Tenere il prodotto sul lato destro del proprio corpo.
- Tenere il gruppo di taglio al di sotto della vita.
- Tenere il corpo lontano dalle superfici calde.
- Tenere il corpo lontano dal gruppo di taglio.

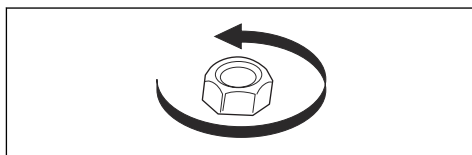
Prima di utilizzare il prodotto

- Esaminare l'area di lavoro per assicurarsi di conoscere il tipo di terreno, la pendenza e la presenza di ostacoli quali pietre, rami e fossi.
- Eseguire un'ispezione e revisione del prodotto.
- Eseguire i controlli di sicurezza, manutenzione e assistenza indicati nel presente manuale.
- Accertarsi che tutti i coperchi, le protezioni, le impugnature e l'attrezzatura di taglio siano fissati correttamente e non siano danneggiati.
- Accertarsi che non vi siano incrinature sul fondo dei denti della lama tagliaerba o in prossimità del foro centrale della lama. Sostituire la lama se danneggiata.

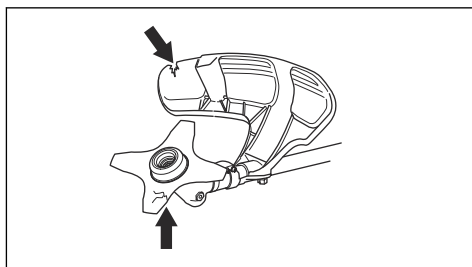
- Esaminare che la flangia di sostegno non presenti incrinature. Sostituire la flangia di sostegno se danneggiata.



- Assicurarsi che il controdado non possa essere rimosso manualmente. Se è possibile rimuoverlo manualmente, il controdado non blocca il gruppo di taglio in modo adeguato ed è necessario sostituirlo.



- Controllare se la protezione della lama presenta danni o incrinature. Sostituire la protezione della lama nel caso in cui sia stata colpita o se è danneggiata.
- Esaminare la testina portafilo e la protezione del gruppo di taglio per rilevare eventuali danni o incrinature. Sostituire la testina portafilo e la protezione del gruppo di taglio nel caso in cui siano stati colpiti o se presentano incrinature.



Spinta della lama



AVVERTENZA: La spinta della lama avviene quando il prodotto viene spostato lateralmente in modo rapido e con forza. La spinta della lama si verifica quando la lama tagliaerba colpisce o si impiglia in un oggetto che non è possibile tagliare. La spinta della lama può scagliare il prodotto o l'operatore in qualsiasi direzione. Vi è il rischio di lesioni per l'operatore e i passanti. Il rischio aumenta nelle aree in cui non è facile vedere il materiale da tagliare. Non tagliare con l'area della lama mostrata in grigio nell'illustrazione. La velocità e il

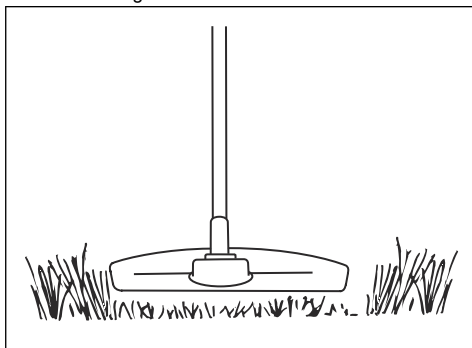
movimento della lama possono provocare una spinta della lama. Il rischio aumenta con lo spessore dello stelo tagliato.

Per eliminare l'erba con una lama tagliaerba

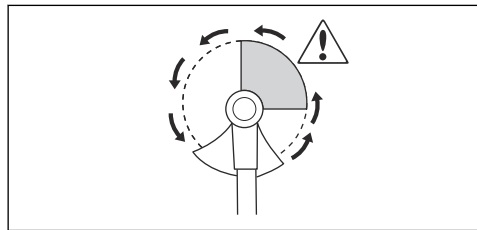
1. Le lame e i coltelli tagliaerba non possono essere usati per i tronchi legnosi.
2. Per tutti i tipi di erba alta o robusta si usa la lama tagliaerba.
3. L'erba viene falciata con movimenti oscillanti lateralmente; il movimento da destra a sinistra costituisce il movimento di falciatura mentre il movimento da sinistra a destra è il movimento di ritorno. Lavorare col lato sinistro della lama (prendendo ad esempio l'orologio, la posizione sarebbe fra le 8 e le 12).
4. Inclinando leggermente la lama verso sinistra durante lo sfoltimento, l'erba forma un'andana che ne facilita la raccolta col rastrello.
5. Cercare di lavorare con movimenti ritmici. Assumere una posizione stabile con i piedi divaricati. Dopo il movimento di ritorno avanzare e riassumere una posizione stabile.
6. Fare in modo che la coppetta di sostegno si appoggi leggermente al terreno. La coppetta di sostegno serve a proteggere la lama dal contatto con il terreno.
7. Per evitare il rischio di materiale attorcigliato intorno alla lama, lavorare sempre a velocità massima ed evitare il materiale appena tagliato nel tratto di ritorno.
8. Prima di raccogliere il materiale tagliato, spegnere il motore, sganciare il cinghiaccio e appoggiare il prodotto sul terreno.

Taglio dell'erba

1. Assicurarsi che la lama sia parallela al terreno durante il taglio.



2. Non spingere la testina portafilo a terra. Il terreno e il prodotto possono danneggiarsi.
3. Non lasciare che la testina portafilo tocchi continuamente il terreno, in quanto potrebbe danneggiarsi.

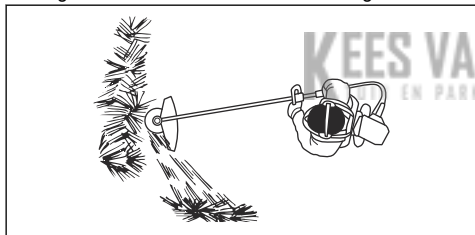


Sfoltimento dell'erba con lama tagliaerba



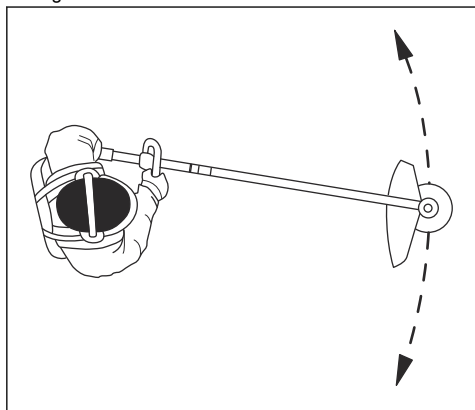
ATTENZIONE: Non usare lame tagliaerba e coltelli per erba su parti legnose. Usare solo lame tagliaerba e coltelli per erba lunga o fitta.

- Spostare il prodotto da un lato all'altro.
- Iniziare a muoversi da destra a sinistra quando si taglia. Spostare il prodotto a destra prima di tagliare nuovamente.
- Tagliare con il lato sinistro della lama tagliaerba.



- Inclinare la lama tagliaerba a sinistra per far cadere l'erba su una riga. Ciò rende più facile la raccolta dell'erba.
- Mantenere una posizione stabile con i piedi divaricati.
- Spostarsi in avanti dopo ogni movimento verso destra e accertarsi nuovamente di avere una posizione stabile prima di tagliare ancora.
- Mantenere la coppa di sostegno contro il terreno con una leggera pressione e assicurarsi che la lama tagliaerba non urti contro il terreno.
- Rispettare queste istruzioni d'uso per diminuire il rischio che il materiale tagliato si avvolga attorno alla lama tagliaerba.
 - a) Accelerare al massimo.
 - b) Non spostare la lama tagliaerba attraverso il materiale tagliato quando si sposta il prodotto da sinistra a destra.
- Prima di raccogliere il materiale tagliato, arrestare il motore e rimuovere il prodotto dal cinghiaccio. Posizionare il prodotto sul terreno.

4. Utilizzare la velocità massima durante lo spostamento del prodotto da un lato all'altro per tagliare l'erba.



Assicurarsi che il filo del decespugliatore sia parallelo al terreno.

Per spazzare via l'erba

Il flusso d'aria dal filo rotante del trimmer può essere utilizzato per rimuovere l'erba tagliata da un'area.

1. Mantenere la testina portafilo ed il filo paralleli al terreno e sopra di esso.
2. Accelerare alla velocità massima.
3. Spostare la testina portafilo da un lato all'altro e spazzare via l'erba.



AVVERTENZA: Pulire il coperchio della testina portafilo ogni volta che si monta un nuovo filo del trimmer per prevenire lo sbilanciamento e le vibrazioni delle impugnature. Eseguire un controllo delle altre parti della testina portafilo e pulirla, se necessario.

Manutenzione

Introduzione



AVVERTENZA: Prima di eseguire qualsiasi lavoro di manutenzione, è necessario leggere e capire il capitolo relativo alla sicurezza.

Programma di manutenzione



AVVERTENZA: Rimuovere la batteria prima di eseguire la manutenzione.

Qui di seguito è disponibile una lista delle operazioni di manutenzione da eseguire sul prodotto.

| Manutenzione | Giornaliera | Una volta a settimana | Una volta al mese |
|---|-------------|-----------------------|-------------------|
| Pulire le parti esterne del prodotto con un panno asciutto. Non utilizzare acqua. | X | | |
| Assicurarsi che il gruppo di taglio non sia danneggiato. Se danneggiato, sostituire il gruppo di taglio. | X | | |
| Accertarsi che la protezione del gruppo di taglio non sia danneggiata. Se danneggiata, sostituire la protezione del gruppo di taglio. | X | | |
| Assicurarsi che i dadi e le viti siano serrati a fondo. | X | | |
| Controllare che il riduttore angolare sia pieno per 3/4 di grasso. Riempire con grasso speciale se necessario. | | X | |

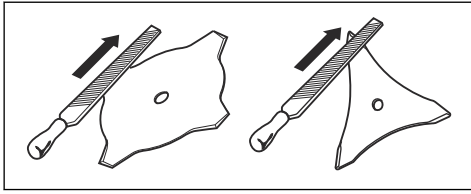
Per affilare il coltello per erba e la lama tagliaerba



AVVERTENZA: Spegnerne il motore. Usare guanti protettivi.

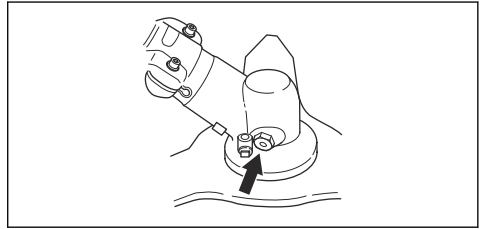
- Per affilare il coltello per erba o la lama tagliaerba in modo corretto, fare riferimento alle istruzioni fornite con il gruppo di taglio.
- Affilare in modo uguale tutti i taglienti per mantenere l'equilibrio.

- Utilizzare una lima piatta a taglio semplice.



AVVERTENZA: Gettare sempre le lame danneggiate. Non tentare di raddrizzare una lama piegata o storta e utilizzarla di nuovo.

non sia cambiato. Se fosse necessario rabboccare, usare Husqvarna grasso speciale. Non cambiare il grasso nel riduttore angolare. Affidare la riparazione del riduttore angolare al personale addetto alla manutenzione.



Riduttore angolare

Il riduttore angolare è stato riempito per $\frac{3}{4}$ di grasso in fabbrica. Prima dell'uso, verificare che il livello di grasso

Dati tecnici

Dati tecnici

| | |
|--|---------|
| 325iLK + accessorio per decespugliatore BCA850 | |
| Motore | |
| Regime albero in uscita, giri/min ²⁵ | 5800 |
| Peso | |
| Peso, kg | 3,7+1,6 |
| Taglio | |
| Larghezza di taglio, mm | Ø 255 |
| Emissioni di rumore²⁶ | |
| Livello acustico, misurato dB (A) | 95 |
| Livello acustico, garantito L _{WA} dB(A) | 96 |
| Livelli di rumorosità²⁷ | |
| Livello di pressione acustica equivalente rispetto all'udito dell'operatore, misurato in base alle norme ISO 22868, dB(A): | |
| Equipaggiato con testina portafilo (originale) | 82 |

²⁵ Giri/minuto

²⁶ Emissione di rumore nell'ambiente misurato come potenza acustica (LWA) in base alla direttiva CE 2000/14/CE. Il livello di potenza acustica riportato per la macchina è stato misurato con il gruppo di taglio originale che emette il livello massimo. La differenza tra potenza acustica misurata e garantita è che la potenza acustica garantita comprende anche la dispersione nel risultato di misurazione e le variazioni tra le diverse macchine dello stesso modello come da Direttiva 2000/14/CE.

²⁷ I dati riportati relativi al livello di pressione acustica della macchina hanno una tipica dispersione statistica (deviazione standard) di 3 dB (A) e sono stati misurati con il gruppo di taglio originale che fornisce il massimo livello.

| | |
|--|---------|
| 325iLK + accessorio per decespugliatore BCA850 | |
| Livelli di vibrazioni²⁸ | |
| Livelli di vibrazioni delle impugnature, misurati in base alla norma ISO 22867, m/s ² | |
| Equipaggiato con lama per trimmer (originale), sinistra/destra | 3,3/1,5 |

Accessori

Accessori

| Accessori omologati con l'accessorio BCA850 | Tipo di accessori | Protezione gruppo di taglio, n° codice |
|--|--|--|
| Passo albero lama M10 | | |
| Foro centrale delle lame/taglienti Ø 25,4 mm | | |
| Lama tagliaerba/tagliente | Lama tagliaerba 255-4, 1" (Ø 255, 4 denti) | 588 11 79-01 |

KEES VAN DER SPEK
TUIN EN PARKMACHINES ★ TER AAR

²⁸ I dati riportati per il livello di vibrazioni presentano una dispersione statistica tipica (deviazione standard) di 2 m/s². Per il confronto dei livelli di vibrazioni, della batteria e dei prodotti a combustione, utilizzare il calcolatore delle vibrazioni. <https://www.husqvarna.com/uk/services-solutions/vibration-calculator/>.

Dichiarazione di conformità CE

Dichiarazione di conformità CE

Husqvarna AB, SE-561 82 Huskvarna, Sweden, tel: +46-36-146500, dichiara con la presente che l'accessorio per decespugliatore Husqvarna BCA850 a partire dai numeri di serie del 2019 (l'anno viene evidenziato nella targhetta dati di funzionamento seguita dal numero di serie), insieme al gruppo motore 325iLK, è conforme alle disposizioni della DIRETTIVA DEL CONSIGLIO:

- del 17 maggio 2006 "sulle macchine" **2006/42/CE**.
- del 26 febbraio 2014 "sulla compatibilità elettromagnetica" **2014/30/UE**.
- dell'8 maggio 2000 "sull'emissione di rumore nell'ambiente" **2000/14/CE**.
- dell'8 giugno 2011 sulla "restrizione dell'uso di determinate sostanze pericolose nelle apparecchiature elettriche ed elettroniche" **2011/65/UE**.

Sono state applicate le seguenti norme: IEC 62841-1:2014, EN ISO 11806-1:2011, EN 50581:2012

RISE SMP Svensk Maskinprovning AB, Box 7035, SE-750 07 Uppsala, Sweden, Box 7035, SE-750 07 Uppsala, Sweden, ha eseguito il controllo di omologazione CE in base alla direttiva sulle macchine (2006/42/CE) articolo 12, punto 3b. Il certificato reca il numero:

RISE SMP Svensk Maskinprovning AB ha inoltre verificato l'accordo con l'Appendice V della Direttiva del Consiglio 2000/14/CE. Il certificato reca il numero: 01/1610/010

Per informazioni sulle emissioni di rumore, fare riferimento a *Dati tecnici alla pagina 96*.

Huskvarna



Pär Gustafsson, Responsabile sviluppo (rappresentante autorizzato per Husqvarna AB e responsabile della documentazione tecnica).

Inhoud

| | | | |
|-----------------|-----|--|-----|
| Inleiding..... | 99 | Onderhoud..... | 109 |
| Veiligheid..... | 100 | Technische gegevens..... | 110 |
| Montage..... | 104 | Accessoires..... | 111 |
| Werking..... | 106 | EG verklaring van overeenstemming..... | 112 |

Inleiding

Productbeschrijving

Husqvarna AB werkt voortdurend aan het verder ontwikkelen van haar producten en behoudt zich dan ook het recht voor om zonder aankondiging vooraf wijzigingen in o.a. vorm en uiterlijk door te voeren.

Let op: Deze handleiding heeft betrekking op accu-aangedreven voedingseenheden.

Gebruik



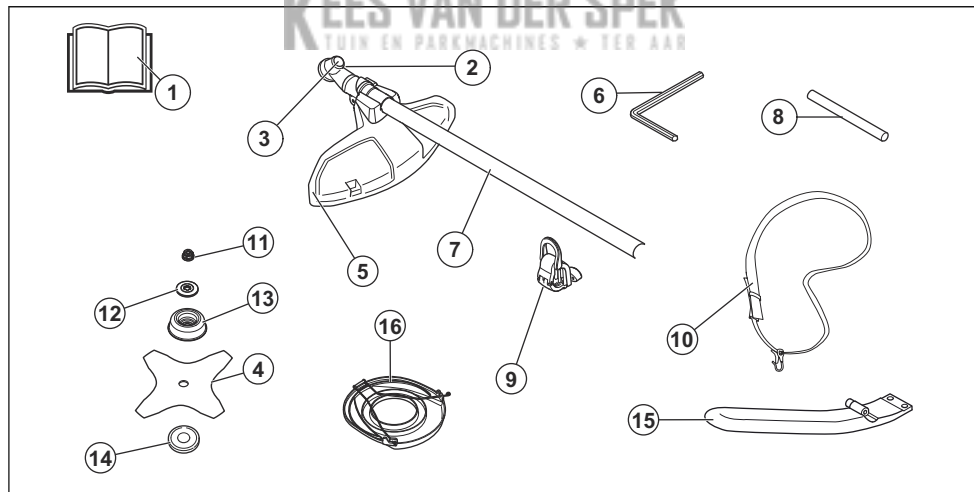
WAARSCHUWING: Dit opzetstuk mag alleen samen met het beoogde product

worden gebruikt. Zie het hoofdstuk over accessoires in de bedieningshandleiding van het product.

Dit is een bosmaaier voor het maaien van verschillende soorten vegetatie. Gebruik het product niet voor andere werkzaamheden dan het trimmen en maaien van gras. Gebruik een grasmaaiblad om gras te maaien.

Let op: Mogelijk zijn landelijke of lokale wettelijke voorschriften van toepassing op het gebruik. Volg de eventuele voorschriften op.

Productoverzicht



- | | |
|------------------------------------|-------------------------|
| 1. Bedieningshandleiding | 8. Borgpen |
| 2. Hoekoverbrenging | 9. Ophanghaak draagstel |
| 3. Opening voor borgpen | 10. Draagstel |
| 4. Grasmaaiblad | 11. Borgmoer |
| 5. Beschermkap voor snijuitrusting | 12. Steunflens |
| 6. 4 mm inbusleutel | 13. Steunkop |
| 7. Steel | 14. Meenemer |
| | 15. Draagsteel |
| | 16. Borgmoer |

15. J-hendel
16. Transportbescherming

Symbolen op het product



WAARSCHUWING! Onachtzaam of onjuist gebruik van dit opzetstuk kan ernstig of dodelijk letsel aan de gebruiker of anderen toebrengen.



Gebruik een veiligheidshelm op locaties waar objecten op u kunnen vallen. Gebruik goedgekeurde gehoorbescherming. Gebruik goedgekeurde oogbescherming.



Maximum toerental van de uitgaande as.



Houd alle lichaamsdelen uit de buurt van de hete oppervlakken.



Het gebruik van het product kan tot rondvliegende voorwerpen leiden, waardoor letsel kan ontstaan.



Risico op terugslag als de snijuitrusting een object raakt dat niet onmiddellijk wordt gesneden. Het product kan lichaamsdelen amputeren. Houd personen en dieren op een minimale afstand van 15 m/50 ft tijdens het gebruik van dit product.



Draag goedgekeurde veiligheidshandschoenen.



Gebruik antisliplaarzen voor zwaar gebruik.



De gebruiker dient ervoor te zorgen dat geen mensen of dieren dichterbij komen dan 15 meter. Indien meerdere gebruikers werken in hetzelfde werkgebied, is de onderlinge veiligheidsafstand min. 15 meter.



Het opzetstuk kan voorwerpen met geweld wegslingeren, die terug kunnen kaatsen. Dit kan leiden tot ernstig oogletsel, als de aanbevolen veiligheidsuitrusting niet wordt gebruikt.



Geluidsemissie naar de omgeving volgens de richtlijn van de Europese Gemeenschap. De emissie van het opzetstuk staat vermeld in het hoofdstuk "Technische gegevens" en op het label.

yyyywwxxxx

Het productplaatje toont het serienummer. **yyyy** is het productiejaar, **ww** is de productieweek en **xxxx** is het serienummer.

Let op: Andere symbolen/stickers op het product hebben betrekking op certificeringseisen voor overige commerciële markten.

Fabrikant

Husqvarna AB

Drottninggatan 2, SE-561 82 Huskvarna, Sweden, tel: +46-36-146500

Veiligheid

Veiligheidsdefinities

Waarschuwingen, voorzorgsmaatregelen en opmerkingen worden gebruikt om te wijzen op belangrijke delen van de handleiding.



WAARSCHUWING: Wordt gebruikt om te wijzen op de kans op ernstig of fataal letsel voor de gebruiker of omstanders wanneer de instructies in de handleiding niet worden gevolgd.



OPGELET: Wordt gebruikt indien er een risico bestaat op schade aan het product en andere eigendommen of aan de omgeving

wanneer de instructies in de handleiding niet worden gevolgd.

Let op: Geven verdere informatie die nodig is in een bepaalde situatie.

Algemene veiligheidswaarschuwingen voor elektrisch gereedschap



WAARSCHUWING: Lees alle veiligheidswaarschuwingen, instructies, illustraties en specificaties die worden meegeleverd met dit elektrisch gereedschap. Het niet opvolgen van ieder van de onderstaande instructies kan leiden

tot elektrische schokken, brand en/of ernstig letsel.

Let op: Bewaar alle waarschuwingen en instructies voor later gebruik. De term "elektrisch gereedschap" in de waarschuwingen verwijst zowel naar gereedschappen die op het lichtnet (met snoer) werken als gereedschappen die met een accu (snoerloos) werken.

Overige algemene veiligheidsinformatie

- Schakel het product uit wanneer u zich verplaatst. Verwijder altijd de accu wanneer u het product aan een andere persoon geeft.
- Leg het product nooit neer zonder het uit te schakelen en de accu te verwijderen. Laat het product nooit onbeheerd achter terwijl het ingeschakeld is.
- Het maaigereedschap stopt niet onmiddellijk nadat het product is uitgeschakeld.
- Het blad moet volledig tot stilstand zijn gekomen als de drukschakelaar zich weer in de beginpositie bevindt.
- Controleer het product voor gebruik en na vallen of stoten op tekenen van slijtage of beschadiging en repareer indien nodig.
- Als er iets in de snijuitrusting vast komt te zitten terwijl u het product bedient, moet u het product stoppen en uitschakelen. Zorg ervoor dat de snijuitrusting volledig tot stilstand komt. Verwijder de accu voordat u het product en/of de snijuitrusting schoonmaakt, inspecteert of repareert.
- Controleer het product vóór gebruik. Zie, *Productoverzicht op pagina 99 en Beschermkap van de snijuitrusting controleren op pagina 103*. Gebruik nooit een defect product. Voer de in deze handleiding beschreven veiligheidscontroles en de onderhouds- en service-instructies uit.
- Het gebruik van defecte snijuitrustingen kan het risico op ongevallen vergroten.
- Controleer het tandwiel op vuil en barsten. Gebruik een borstel om het tandwiel te ontdoen van gras en bladeren. Draag handschoenen indien nodig.
- Zorg dat de ventilatieopeningen altijd vrij zijn van afvalmaterialen.
- Controleer of de trimmerkop volledig op de trimmer is bevestigd.
- Alle deksels, beschermingen en hendels moeten aangebracht zijn voor u start.
- Controleer of het product in goede staat is. Controleer of alle moeren en bouten goed vastgedraaid zijn.
- Controleer de trimmerkop en de trimmerbeschermkap op beschadigingen en barsten. Vervang de trimmerkop of de trimmerbeschermkap indien deze is blootgesteld aan slagbelasting of barsten vertoont. Gebruik altijd de aanbevolen beschermkap voor die specifieke snijuitrusting. Zie het hoofdstuk Technische gegevens.
- Dit product kan bij onvoorzichtig of onjuist gebruik een gevaarlijk gereedschap zijn. Dit product kan ernstig of fataal letsel toebrengen aan de gebruiker of anderen.
- Dit apparaat is niet bedoeld voor gebruik door personen (waaronder kinderen) met fysieke, zintuiglijke of geestelijke beperkingen, of een gebrek aan kennis en ervaring, tenzij ze begeleiding bij of aanwijzingen voor het gebruik van het apparaat hebben ontvangen van een persoon die verantwoordelijk is voor hun veiligheid. Kinderen moeten onder toezicht worden gehouden om er zeker van te zijn dat ze niet met het apparaat spelen.
- Sta nooit toe dat kinderen de machine gebruiken of in de buurt van de machine komen. De machine start gemakkelijk, zodat kinderen deze mogelijk kunnen starten wanneer ze niet onder volledig toezicht staan. In dat geval kan er een risico op ernstig persoonlijk letsel bestaan. Koppel de accu daarom los wanneer de machine niet onder streng toezicht staat.
- Laat het product nooit gebruiken door kinderen of andere personen die niet zijn opgeleid voor het gebruik of onderhoud van het product en/of de accu.
- Mogelijk zijn landelijke of lokale wettelijke voorschriften van toepassing op het gebruik. Volg de eventuele voorschriften op.
- Sla de apparatuur op in een afsluitbare ruimte zodat het buiten het bereik is van kinderen en onbevoegde personen.
- De transportbescherming moet altijd worden gebruikt voor opslag en transport.
- Zet het product vast tijdens transport.
- Houd handen en voeten altijd uit de buurt van de maaizone, in het bijzonder bij het inschakelen van de motor.
- Houd uw handen en voeten uit de buurt van de snijuitrusting totdat deze volledig is gestopt wanneer het product is uitgeschakeld.
- Verwijder het gesneden materiaal niet en laat het niet door anderen verwijderen terwijl het product is ingeschakeld of de snijuitrusting draait. Dit kan ernstig letsel veroorzaken.
- Denk erom dat het uw verantwoordelijkheid als gebruiker is om mensen en hun eigendommen niet bloot te stellen aan ongelukken of gevaar.
- De oorspronkelijke vormgeving van het product mag in geen enkel geval worden gewijzigd zonder toestemming van de fabrikant. Gebruik altijd originele accessoires. Niet goedgekeurde wijzigingen en/of niet-originele onderdelen kunnen tot ernstig persoonlijk letsel of de dood van zowel gebruiker als omstanders leiden. Uw garantie dekt mogelijk geen schade of aansprakelijkheid als gevolg van het gebruik van niet-goedgekeurde accessoires of vervangende onderdelen.
- De enige accessoires die u samen met dit product kunt gebruiken, zijn de snijuitrustingen die worden aanbevolen in het hoofdstuk met technische gegevens.

- Gebruik nooit een product dat zo gewijzigd is dat het niet langer overeenkomt met de originele uitvoering
- Gebruik nooit een machine die defect is. Voer de in deze handleiding beschreven veiligheidscontroles en de onderhouds- en service-instructies uit. Bepaalde onderhouds- en servicemaatregelen moeten door opgeleide en gekwalificeerde specialisten worden uitgevoerd. Zie de instructies in het hoofdstuk Onderhoud.
- Werken in slechte weersomstandigheden is vermoeiend en kan tot extra gevaarlijke situaties leiden. Het is in verband met het extra gevaar niet aanbevolen om de machine te gebruiken bij zeer slecht weer, bijvoorbeeld dichte mist, zware regen, sterke wind, intense koude of bij risico op bliksem, etc.
- Werk nooit op een ladder, stoel of andere verhoging die niet stevig vast staat.
- Inactieve apparaten binnen opslaan - als het apparaat niet in gebruik is, moet het binnenshuis worden opgeslagen
- Het is niet mogelijk om elke mogelijke situatie te vermelden. Wees altijd voorzichtig en gebruik uw gezond verstand. Vermijd situaties die uw capaciteiten te boven gaan. Als u na het lezen van deze instructies nog vragen hebt over de bedieningsprocedures dient u een expert te raadplegen voordat u verder gaat.
- Zorg ervoor dat er zich geen personen of dieren op een afstand kleiner dan 15 meter bevinden terwijl u werkt. Indien meerdere gebruikers in hetzelfde gebied werken, moet de veiligheidsafstand minimaal 15 meter bedragen. Anders is er een risico op ernstig persoonlijk letsel. Schakel het product onmiddellijk uit indien iemand dichterbij komt. Draai het product nooit rond zonder eerst te controleren of er achter u niet iemand zich in de veiligheidszone bevindt.
- Als er iets in de snijuitrusting vast komt te zitten terwijl u het product bedient, moet u het product stoppen en uitschakelen. Zorg ervoor dat de snijuitrusting volledig tot stilstand komt. Verwijder de accu voordat u het product en/of de snijuitrusting schoonmaakt, inspecteert of repareert.
- Zorg ervoor dat mensen, dieren of andere dingen geen invloed hebben op uw controle over het product en dat ze niet in contact komen met de snijuitrusting of losse objecten die worden uitgeworpen door de snijuitrusting. Gebruik het product echter nooit zonder de mogelijkheid hulp in te kunnen roepen in geval van nood.
- Zorg ervoor dat u veilig kunt gaan en staan. Controleer of er eventuele hindernissen zijn als u onverwacht snel moet kunnen weggelopen (wortels, stenen, takken, kuilen, greppels enz.). Wees extra voorzichtig wanneer u op hellend terrein werkt.
- U dient uitsluitend te lopen, nooit te rennen.
- Controleer het werkgebied. Verwijder alle losse voorwerpen, zoals stenen, stukjes glas, spijkers, ijzerdraad, touw en dergelijke, die weggeslingerd

kunnen worden of vast kunnen komen zitten in de maaier of beschermkap.

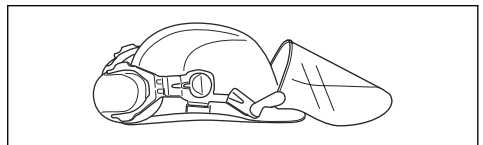
- Wees alert op stukken tak die tijdens het snijden weggeslingerd kunnen worden. Snijd niet te dicht bij de grond waar stenen en andere voorwerpen kunnen worden weggeslingerd.
- Zorg ervoor dat kleding of lichaamsdelen niet in contact komen met de snijuitrusting wanneer het product is ingeschakeld. Houd het product altijd onder taillehoogte.
- Kijk uit voor wegschietende objecten. Gebruik altijd goedgekeurde oogbescherming. Leun nooit over de beschermkap van de snijuitrusting. Stenen, afval, enz. kunnen omhoog schieten in uw ogen en blindheid of ernstig letsel veroorzaken.
- Let als u gehoorbescherming draagt op waarschuwingssignalen of geschreeuw. Doe uw gehoorbescherming altijd af zodra het product is gestopt.
- Wanneer zich ongewenste trillingen voordoen, moet u een nieuw stuk draad naar buiten tikken. Wanneer de draad de juiste lengte heeft, stoppen de trillingen.
- Als het product overmatig begint te trillen, stopt u het product en verwijderd u de accu.
- Overmatige blootstelling aan trillingen kan leiden tot bloedvat- en zenuwbeschadigingen bij personen met een slechte bloedsomloop. Consulteer uw dokter wanneer u symptomen waarneemt die wijzen op overmatige blootstelling aan trillingen. Dergelijke symptomen zijn o.a. een doof gevoel, gevoelloosheid, tintelingen, een prikkend gevoel, pijn, krachtverlies, veranderingen van huidskleur of conditie van de huid. Deze symptomen worden meestal waargenomen in de vingers, handen of polsen.
- Houd het product altijd met twee handen vast. Houd het apparaat rechts van uw lichaam.

Persoonlijke beschermingsuitrusting

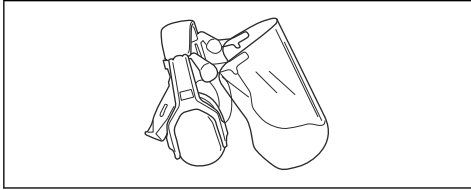


WAARSCHUWING: Lees de volgende waarschuwingen voordat u het product gaat gebruiken.

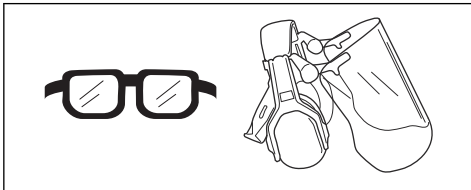
- Draag tijdens het gebruik van het product altijd goedgekeurde persoonlijke beschermingsuitrusting. Persoonlijke beschermingsuitrusting kunnen niet alle risico's uitsluiten maar kunnen de ernst van eventueel letsel helpen beperken. Vraag uw dealer u te helpen bij het kiezen van de juiste beschermingsmiddelen.
- Gebruik een veiligheidshelm bij kans op vallende voorwerpen.



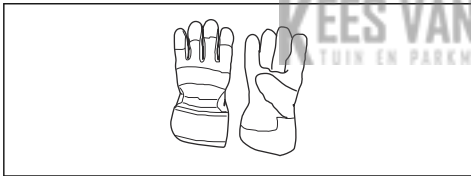
- Gebruik goedgekeurde gehoorbescherming met voldoende dempvermogen. Langdurige blootstelling aan lawaai kan leiden tot permanente gehoorbeschadiging.



- Gebruik goedgekeurde oogbescherming. Als u een vizier gebruikt, moet u ook een goedgekeurde veiligheidsbril gebruiken. Een goedgekeurde veiligheidsbril moet voldoen aan de norm ANSI Z87.1 voor de VS of EN 166 voor de EU-landen.



- Draag zo nodig handschoenen, bijvoorbeeld bij het monteren, inspecteren of reinigen van de snijuitrusting.

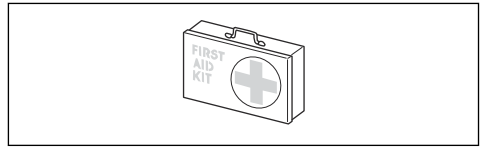


- Gebruik stevige antisliplaarzen.



- Gebruik kleding van stevige stof. Gebruik altijd een zware lange broek en lange mouwen. Gebruik geen loszittende kleding die gemakkelijk kan blijven haken aan takjes en struikgewas. Draag geen sieraden, korte broek of sandalen of loop niet op blote voeten. Bind voor de veiligheid lang haar samen tot boven schouderhoogte.

- Houd een EHBO-does binnen handbereik.



Veiligheidsvoorzieningen op het product



WAARSCHUWING: Lees de volgende waarschuwingen voordat u het product gaat gebruiken.

In dit hoofdstuk worden de veiligheidsvoorzieningen van het product beschreven, welke functie ze hebben en hoe controles en onderhoud moeten worden uitgevoerd om hun goede werking te waarborgen. Zie de instructies onder het kopje *Inleiding op pagina 99* om te zien waar deze onderdelen zich bevinden op uw product.

De levensduur van het product kan worden verkort en het risico op ongevallen kan toenemen wanneer het onderhoud van het product niet op de juiste manier plaatsvindt en wanneer service en/of reparaties niet vakkundig worden uitgevoerd. Indien u meer informatie nodig hebt, verzoeken wij u contact op te nemen met de dichtstbijzijnde onderhoudsdealer.



WAARSCHUWING: Gebruik een product nooit wanneer de veiligheidsvoorzieningen defect zijn. De veiligheidsuitrusting van het product moet geïnspecteerd en onderhouden worden zoals beschreven in dit hoofdstuk. Als uw product een van deze controles niet doorstaat, moet u contact opnemen met uw servicewerkplaats om uw unit te laten repareren.



OPGELET: Om service en reparaties aan de machine uit te voeren, moet u een speciale opleiding hebben. Dit geldt met name voor de veiligheidsuitrusting van de machine. Als de machine één van de volgende controles niet goed doorstaat, moet u ermee naar uw servicewerkplaats gaan. Als u één van onze producten koopt, garandeert dit dat de reparaties en service door een vakman kunnen worden uitgevoerd. Als u uw machine heeft gekocht bij één van onze dealers die geen servicewerkplaats heeft, vraag hem dan waar de dichtstbijzijnde erkende werkplaats is.

Beschermkap van de snijuitrusting controleren



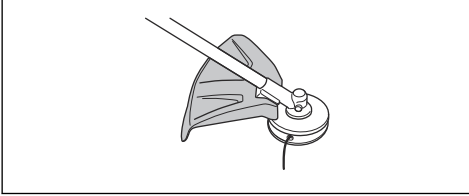
WAARSCHUWING: Gebruik geen snijuitrusting zonder een goedgekeurde en correct bevestigde beschermkap. Gebruik

altijd de voorgeschreven beschermkap voor de snijuitrusting die u gebruikt, zie *Accessoires op pagina 111*. Indien een verkeerde of defecte beschermkap van de snijuitrusting wordt gemonteerd, kan dit ernstige verwondingen veroorzaken.

- Zorg ervoor dat u het deksel en de as goed monteert, voordat u het product start.
- De meenemer en de steunflens moeten correct in de opening in het midden van de snijuitrusting worden gepositioneerd. Een snijuitrusting die niet juist wordt bevestigd, kan ernstig letsel of de dood veroorzaken.
- Om het product veilig te gebruiken en letsel bij de gebruiker of andere personen te voorkomen, moet het altijd op de juiste manier aan het draagstel worden bevestigd.

De beschermkap van de snijuitrusting houdt objecten tegen die in de richting van de gebruiker kunnen vliegen. Hij voorkomt ook letsel dat veroorzaakt wordt als u met de snijuitrusting in contact komt.

1. Stop de motor.
2. Voer een visuele controle uit op beschadigingen, bijvoorbeeld scheuren.



3. Vervang de beschermkap van de snijuitrusting als deze is beschadigd.

Veiligheidsinstructies voor onderhoud



WAARSCHUWING: Lees de volgende waarschuwingen voordat u onderhoud aan het product gaat uitvoeren.

- Verwijder de accu voordat u onderhoud of andere controles uitvoert, of het product demonteert.
- De gebruiker mag alleen de onderhouds- en servicewerkzaamheden uitvoeren die in deze bedieningshandleiding zijn beschreven. Ga naar uw servicedealer voor verdergaande service- of onderhoudswerkzaamheden.
- Reinig de accu of acculader nooit met water. Sterke reinigingsmiddelen kunnen schade aan het kunststof veroorzaken.
- Als u geen onderhoud uitvoert, verkort dit de levenscyclus van het product en vergroot het risico op ongevallen.
- Voor alle service en reparaties is speciale training vereist, vooral voor de veiligheidsvoorzieningen op het product. Als niet alle controles in deze bedieningshandleiding een goed resultaat geven nadat u onderhoud hebt uitgevoerd, ga dan naar uw servicedealer. Wij garanderen dat u daar professionele reparaties en service voor uw product krijgt.

Veiligheidsinstructies voor montage



WAARSCHUWING: Lees voordat u het product gaat gebruiken deze instructies aandachtig door en zorg dat u ze hebt begrepen. Volg de instructies op.

- Verwijder de accu uit het product voordat u het product monteert.
- Draag goedgekeurde veiligheidshandschoenen.
- Een defecte of onjuiste beschermkap kan letsel veroorzaken. Gebruik geen snijuitrusting zonder een aan de uitrusting bevestigde goedgekeurde beschermkap.

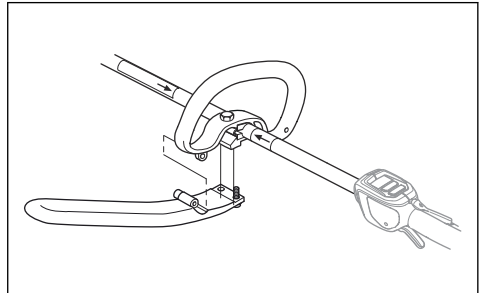
Montage

De J-hendel monteren

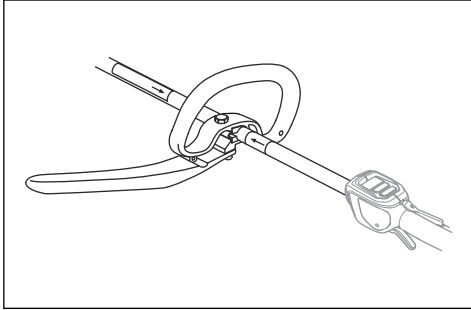


WAARSCHUWING: De J-hendel moet aan het loophandvat worden bevestigd als u het product wilt gebruiken met een van de aanbevolen metalen snijuitrustingen.

1. Bevestig de J-hendel met 3 schroeven aan de lusgreep.

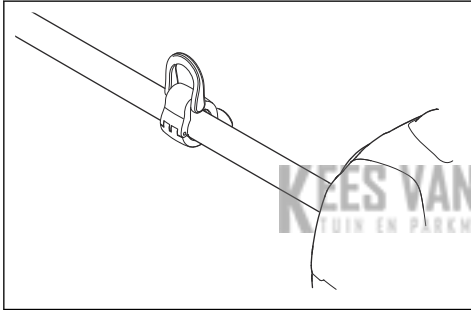


2. Stel het product af zodat u het comfortabel kunt vasthouden.
3. Draai de schroeven vast.



De ophanghaak van het draagstel monteren, indien van toepassing

1. Breng de ophanghaak van het draagstel aan tussen de pijlen op de achterhandgreep en het loophandvat.



Let op: Plaats het loophandvat niet op het plaatje.

2. Stel de ring af om het product in balans te brengen en gebruiksvriendelijk te maken.

Snijuitrusting monteren

De snijuitrusting omvat een snijuitrusting en een beschermkap voor de snijuitrusting.



WAARSCHUWING: Draag beschermende handschoenen.



WAARSCHUWING: Gebruik altijd de beschermkap voor de snijuitrusting die voor de snijuitrusting wordt aanbevolen. Zie *Technische gegevens op pagina 110*.

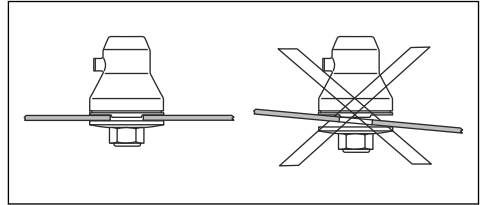


WAARSCHUWING: Een verkeerd bevestigde snijuitrusting kan leiden tot ernstig letsel of de dood.

Montage van bladen



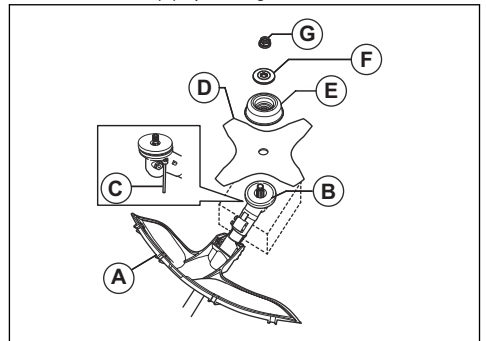
WAARSCHUWING: Wanneer u de snijuitrusting monteert is het heel belangrijk dat de geleidepen van de meenemer/ steunflens op de juiste manier in het middengat van de snijuitrusting terecht komt. Als de snijuitrusting verkeerd gemonteerd is, kan dat ernstige en/of dodelijke verwondingen veroorzaken.



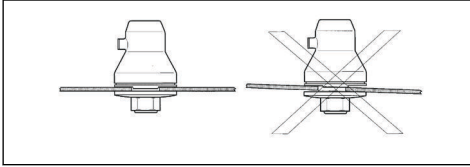
WAARSCHUWING: Onder geen beding mag snijuitrusting worden gebruikt zonder dat een goedgekeurde beschermkap is gemonteerd. Zie het hoofdstuk Technische gegevens. Indien een onjuiste of defecte beschermkap is gemonteerd of de J-hendel ontbreekt bij het gebruik van een metalen snijuitrusting, kan dit ernstig persoonlijk letsel veroorzaken.

Het grasmaaiblad monteren

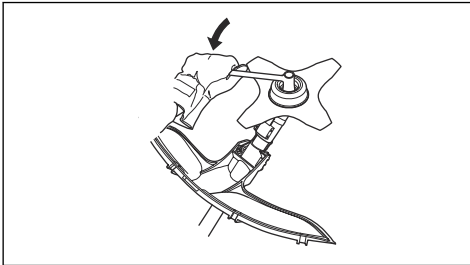
1. Zet het tandwielhuis van het product op een vlakke ondergrond om ervoor te zorgen dat het blad goed wordt gemonteerd.
2. Draai de uitgaande as totdat een van de openingen in de meenemer (B) op één lijn ligt met de overeenkomstige opening in het tandwielhuis.
3. Breng de borgpen (C) aan in de opening om de as te vergrendelen.
4. Monteer het grasmaaiblad (D), de steunkop (E) en de steunflens (F) op de uitgaande as.



5. Zorg ervoor dat de meenemer met steunflens correct aangrijpt in de middelste opening van het grasmaaiblad.

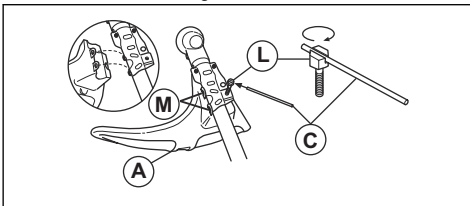


6. Bevestig de moer (G).
7. Draai de moer vast met de dopsleutel. Houd de steel van de dopsleutel dicht bij de bladbeschermkap vast. Draai vast in de tegenovergestelde rotatierichting van de snijuitrusting. Draai het vast met een aanhaalmoment van 35 tot 50 Nm.



De trimmerbeschermkap voor een trimmerkop monteren

1. Hang de trimmerbeschermkap (A) aan de beide haken op de plaathouder (M).
2. Buig de beschermkap rond de as en bevestig hem met de bout (L) aan de tegenoverliggende zijde van de as.
3. Zet de borgpen (C) in de groef op de boutkop en draai de bout volledig vast.



Grasmaaiblad

- Gebruik correct geslepen bladen. Een verkeerd geslepen of beschadigd blad verhoogt het risico op letsel.
- Gebruik correct ingestelde bladen. Correcte bladinstelling is 1 mm. Een verkeerde bladinstelling verhoogt het risico van letsel en schade.
- Raadpleeg de meegeleverde instructies voor het correct slijpen en instellen van het blad.

Het product uitbalanceren



WAARSCHUWING: Gebruik altijd het draagstel wanneer u het product gebruikt. Het draagstel biedt maximale controle over het product en vermindert het risico op vermoeidheid in uw armen en rug.

- Doe het draagstel om.
- Sluit de ophanghaak van het product aan op het draagstel en houd de snijuitrusting parallel aan de grond.
- Het product is correct gebalanceerd wanneer het blad op maaïhoogte dicht bij de grond is.



Werking

Inleiding



WAARSCHUWING: Zorg dat u het hoofdstuk over veiligheid hebt gelezen en begrepen voordat u het product gebruikt.



Het draagstel afstellen

WAARSCHUWING: Bevestig dit product altijd op de juiste wijze aan het draagstel. Als dit niet het geval is, kunt u het product niet veilig bedienen en dit kan leiden tot letsel bij uzelf en anderen. Gebruik geen

draagstel met een defecte
snelontgrendeling.



WAARSCHUWING: Als zich een
noodsituatie voordoet, laat u het draagstel
en het product los en laat u het op de grond
vallen.

1. Doe het draagstel om.
2. Stel het draagstel af voor de beste werkhouding.
3. Stel het draagstel zodanig af dat de snijuitrusting
parallel aan de grond is.



4. Als u gras wilt maaien, laat de snijuitrusting dan licht
op de grond rusten. Stel vervolgens de klem van het
draagstel zodanig af dat het product goed in
evenwicht is.

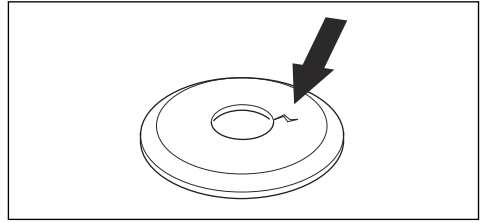
Werkpositie

- Houd het apparaat met beide handen vast.
- Houd het apparaat rechts van uw lichaam.
- De zaaguitrusting moet onder taillehoogte blijven.
- Houd lichaamsdelen uit de buurt van de hete
oppervlakken.
- Houd lichaamsdelen uit de buurt van de
snijuitrusting.

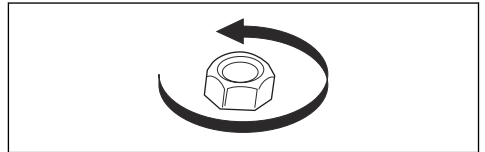
Voordat u het product gaat bedienen

- Controleer het werkgebied zodat u op de hoogte
bent van het soort terrein, de helling van de
ondergrond en of er obstakels zoals stenen, takken
en greppels zijn.
- Voer een revisie-inspectie van het product uit.
- Voer de veiligheidsinspecties, onderhoud en
servicebeurten uit die in deze handleiding worden
aangegeven.
- Zorg dat alle afschermingen en beschermkappen,
handgrepen en de snijuitrusting correct zijn
aangebracht en onbeschadigd zijn.
- Zorg dat er geen scheuren zijn aan de onderkant
van de grasmaaibladtanden of bij de opening in het
midden van het blad. Vervang het blad als dit
beschadigd is.

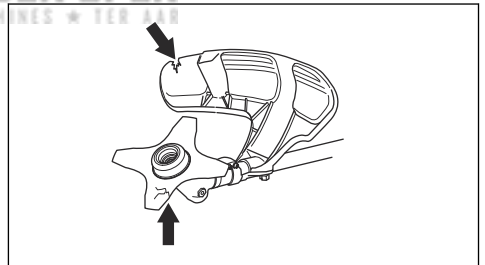
- Controleer de steunflens op scheuren. Vervang de
steunflens als deze beschadigd is.



- Controleer of de borgmoer niet handmatig kan
worden verwijderd. Als u de borgmoer handmatig
kunt verwijderen, wordt de snijuitrusting niet
afdoende vergrendeld en moet u de moer
vervangen.



- Controleer de bladbeschermkap op beschadigingen
of scheuren. Vervang de bladbeschermkap als hij
geraakt is of scheuren heeft.
- Controleer de trimmerkop en de beschermkap voor
de snijuitrusting op beschadigingen of scheuren.
Vervang de trimmerkop en de beschermkap voor de
snijuitrusting als ze geraakt zijn of scheuren hebben.

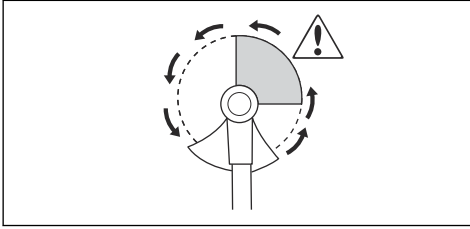


Terugslag



WAARSCHUWING: Er is sprake van
terugslag wanneer het product snel en met
kracht opzij beweegt. Een terugslag vindt
plaats wanneer het grasmaaiblad een object
raakt of eraan blijft haken, dat niet kan
worden gemaaid. Een terugslag kan het
product of de gebruiker in alle richtingen
werpen. Er bestaat een risico op letsel bij de
gebruiker en omstanders. Het risico neemt
toe in gebieden waar het niet makkelijk is
om het materiaal waar te nemen dat
afgesneden moet worden. Niet snijden met
het gedeelte van het blad dat in het grijs is
weergegeven in de afbeelding. De snelheid
en beweging van het blad kunnen terugslag

veroorzaken. Het risico neemt toe naar gelang de dikte van de stam die gezaagd wordt.

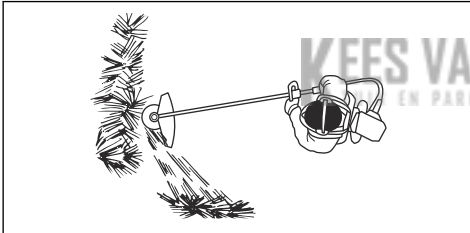


Grasmaaien met een grasmaaiblad



OPGELET: Gebruik geen grasmaaibladen en grasmessen op hout. Gebruik grasmaaibladen en grasmessen uitsluitend voor lang of ruw gras.

- Beweeg het product van de ene kant naar de andere kant.
- Start de beweging van rechts naar links wanneer u maait. Beweeg het product naar rechts voordat u opnieuw gaat maaien.
- Maai met de linkerkant van het grasmaaiblad.



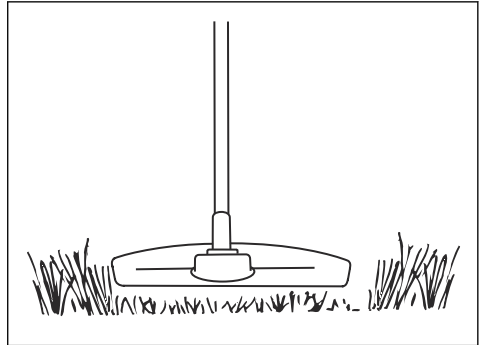
- Houd het grasmaaiblad iets schuin naar links zodat het gras in een streng wordt gelegd. Dit maakt het eenvoudiger om het gras te verzamelen.
- Zorg voor een stabiele positie met uw voeten uit elkaar.
- Beweeg voorwaarts na iedere beweging naar rechts en zorg wederom voor een stabiele positie voordat u opnieuw gaat maaien.
- Houd de steunkop met een lichte druk op de grond om ervoor te zorgen dat het grasmaaiblad niet de grond raakt.
- Volg deze instructies op om het risico dat het maaisel zich rond het grasmaaiblad wikkelt, te verlagen:
 - a) Geef vol gas.
 - b) Ga niet met het grasmaaiblad door het maaisel wanneer u het product van links naar rechts beweegt.
- Stop de motor en verwijder het product los van het draagstel voordat u het maaisel verzamelt. Plaats het product op de grond.

Gras maaien met een grasmaaiblad

1. De grasmaaibladen en grasmessen mogen niet gebruikt worden bij houtachtige stammen.
2. Voor alle soorten hoog of sterk gras wordt een grasmaaiblad gebruikt.
3. Het gras wordt gemaaid met pendelende bewegingen naar de zijkanten, waarbij de beweging van rechts naar links het maaimoment is en de beweging van links naar rechts de retourbeweging. Laat de linkerkant van het blad werken (tussen 8 en 12 uur).
4. Indien het blad tijdens het grasmaaien een ietsje schuin naar links wordt gehouden, wordt het gras in een streng gelegd, hetgeen het verzamelen makkelijker maakt bijv. bij harken.
5. Probeer om ritmisch te werken. Sta stevig met uw voeten uit elkaar. Beweeg na de retourbeweging naar voren en zorg dat u weer stevig staat.
6. Laat de steunkop licht op de grond rusten. Deze is speciaal bedoeld om te voorkomen dat het blad in de grond snijdt.
7. Verklein het risico dat het materiaal rond het blad wordt gewonden door altijd met volle snelheid te werken en maaisel bij de retourbeweging te ontwijken.
8. Schakel de motor uit, maak het draagstel los en zet de machine op de grond voordat u het gemaaide materiaal verzamelt.

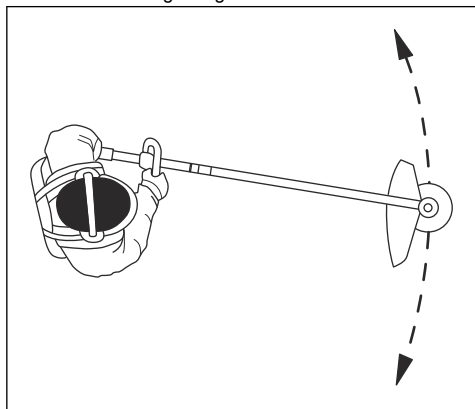
Gras maaien

1. Zorg dat de grastrimmerdraad parallel loopt aan de grond wanneer u gaat maaien.



2. Duw de trimmerkop niet op de grond. De grond en het product kunnen hierdoor beschadigd raken.
3. Zorg dat de trimmerkop de grond niet continu raakt. Hierdoor kan de trimmerkop beschadigd raken.

4. Gebruik volle snelheid wanneer u het product heen en weer beweegt om gras te maaien.



Zorg dat de grastrimmerdraad parallel loopt aan de grond.

Gras vegen

De luchtstroom uit het roterende trimmerdraad kan worden gebruikt om het maaisel uit een gebied te verwijderen.

1. Houd de trimmerkop met draad parallel aan de grond en boven de grond.
2. Geef volgas.
3. Beweeg de trimmerkop van de ene naar de andere kant en veeg het gras.



WAARSCHUWING: Reinig de kap van de trimmerkop altijd wanneer u een nieuw trimmerdraad monteert om onbalans en trillingen in de hendels te voorkomen. Controleer ook de andere onderdelen van de trimmerkop en reinig deze indien nodig.

Onderhoud

Inleiding



WAARSCHUWING: Voordat u onderhoudswerkzaamheden gaat uitvoeren, dient u het hoofdstuk over veiligheid te lezen en hebben begrepen.

Onderhoudsschema



WAARSCHUWING: Verwijder de accu voordat u onderhoud uitvoert.

Hieronder volgt een lijst van het onderhoud dat u aan het product moet uitvoeren.

| Onderhoud | Elke dag | Wekelijks | Maandelijks |
|---|----------|-----------|-------------|
| Reinig de externe onderdelen van het product met een droge doek. Gebruik geen water. | X | | |
| Controleer of de snijuitrusting niet beschadigd is. Vervang de snijuitrusting als deze is beschadigd. | X | | |
| Controleer of de beschermkap voor snijuitrusting niet is beschadigd. Vervang de beschermkap van de snijuitrusting als deze is beschadigd. | X | | |
| Controleer of de schroeven en moeren goed zijn vastgedraaid. | X | | |
| Controleer of de haakse overbrenging voor 3/4 gevuld is met smeermiddel. Vul indien nodig bij met speciaal vet. | | X | |

Slijpen van grassmes en grasmaaiblad

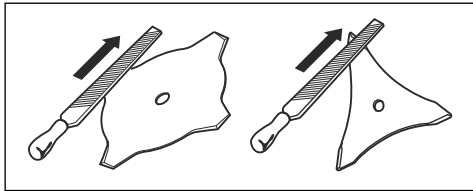


WAARSCHUWING: Stop de motor. Draag beschermende handschoenen.

- Raadpleeg de meegeleverde instructies voor het correct slijpen van het grassmes of grasmaaiblad.

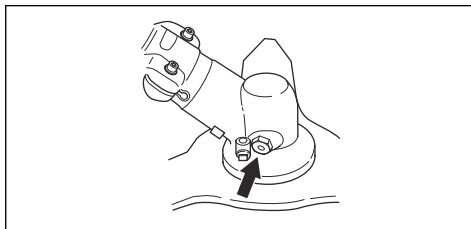
- Slijp alle snijkanten gelijkmatig om de balans te bewaren.

- Gebruik een platte vijl met enkele kapping.



WAARSCHUWING: Gooi een blad dat beschadigd is altijd weg. Probeer niet om een verbogen of verdraaid blad recht te buigen en opnieuw te gebruiken.

veranderd. Gebruik Husqvarna speciaal vet als het nodig is om bij te vullen. Vervang het vet in de hoekoverbrenging niet. Laat servicepersoneel de reparatie van de hoekoverbrenging uitvoeren.



Hoekoverbrenging

De hoekoverbrenging is in de fabriek voor $\frac{3}{4}$ gevuld met vet. Controleer vóór gebruik of het vetpeil niet is

Technische gegevens

Technische gegevens

| | |
|---|---------|
| 325iLK + opzetstuk bosmaaier BCA850 | |
| Motor | |
| Toerental van uitgaande as, 1/min ²⁹ | 5800 |
| Gewicht | |
| Gewicht, kg | 3,7+1,6 |
| Maaien | |
| Maaibreedte, mm | Ø 255 |
| Geluidsemissies³⁰ | |
| Geluidsvermogensniveau, gemeten dB(A) | 95 |
| Geluidsvermogeniveau, gegarandeerd L _{WA} dB (A) | 96 |
| Geluidsniveaus³¹ | |
| Equivalent geluidsdrukniveau bij het oor van de gebruiker, gemeten volgens ISO 22868, dB (A): | |
| Uitgerust met trimmerkop (origineel) | 82 |

²⁹ Omwentelingen per minuut

³⁰ Emissie van geluid naar de omgeving gemeten als geluidsvermogen (LWA) volgens EG-richtlijn 2000/14/EG. Het gerapporteerde geluidsvermogeniveau voor de machine is gemeten met de originele snijuitrusting die het hoogste niveau geeft. Het verschil tussen gegarandeerd en gemeten geluidsvermogen is dat het gegarandeerde geluidsvermogen ook spreiding in het meetresultaat omvat en de verschillen tussen de verschillende machines van hetzelfde model conform Richtlijn 2000/14/EG.

³¹ De gerapporteerde gegevens voor het geluidsdrukniveau van de machine vertonen een typische statistische spreiding (standaardafwijking) van 3 dB (A) en zijn gemeten met het originele opzetstuk dat het hoogste niveau geeft.

| | |
|--|---------|
| 325iLK + opzetstuk bosmaaier BCA850 | |
| Trillingsniveau³² | |
| Trillingsniveaus in de handgrepen, gemeten volgens ISO 22867, m/s ² | |
| Uitgerust met trimmerblad (origineel), links/rechts | 3,3/1,5 |

Accessoires

Accessoires

| Goedgekeurde accessoires voor het opzetstuk BCA850 | Type accessoire | Beschermkap voor de snijuitrusting, artikelnr. |
|--|-------------------------------------|--|
| Schroefdraad bladas M10 | | |
| Centrumopening in bladen/messen Ø 25,4 mm | | |
| Grasmaaiblad/grasmes | Grasmaaiblad 255-4 (Ø 255 4 tanden) | 588 11 79-01 |

KEES VAN DER SPEK
TUIN EN PARKMACHINES ★ TER AAR

³² De gerapporteerde gegevens voor een trillingsniveau vertonen een typische statistische spreiding (standaardafwijking) van 2 m/s². Gebruik voor vergelijking van trillingsniveaus, accu's en verbrandingsproducten de trillingscalculator. <https://www.husqvarna.com/uk/services-solutions/vibration-calculator/>.

EG verklaring van overeenstemming

EG verklaring van overeenstemming

Husqvarna AB, SE-561 82 Huskvarna, Sweden, tel: +46-36-146500, verklaart dat het opzetstuk bosmaaier Husqvarna BCA850 met serienummers van 2019 en later (het jaar staat duidelijk op het productplaatje vermeld, gevolgd door het serienummer), samen met de krachtbron 325iLK, voldoet aan de eisen die zijn opgenomen in de RICHTLIJNEN VAN DE RAAD:

- van 17 mei 2006 "met betrekking tot machines" **2006/42/EG**.
- van 26 februari 2014 "betreffende elektromagnetische compatibiliteit" **2014/30/EU**.
- van 8 mei 2000 "met betrekking tot geluidsemissies in het milieu" **2000/14/EG**.
- van 8 juni 2011 "inzake beperking van het gebruik van bepaalde gevaarlijke stoffen in elektrische en elektronische apparatuur" **2011/65/EU**

De volgende normen zijn van toepassing: IEC 62841-1:2014, EN ISO 11806-1:2011, EN 50581:2012

RISE SMP Svensk Maskinprovning AB, Box 7035, SE-750 07 Uppsala, Sweden, Box 7035, SE-750 07 Uppsala, Sweden heeft een EG-typeonderzoek uitgevoerd volgens de machinerichtlijn (2006/42/EG), artikel 12, punt 3b. Het certificaat heeft nummer:

RISE SMP Svensk Maskinprovning AB heeft ook overeenstemming bevestigd met bijlage V van de richtlijn 2000/14/EG van de raad. Het certificaat heeft nummer: 01/1610/010

Voor informatie over geluidsemissies, zie *Technische gegevens op pagina 110*.

Huskvarna



Pär Gustafsson, Hoofd Ontwikkeling (gemachtigde vertegenwoordiger voor Husqvarna AB en verantwoordelijk voor technische documentatie)

INNHold

| | | | |
|-----------------|-----|---------------------------|-----|
| Innledning..... | 113 | Vedlikehold..... | 122 |
| Sikkerhet..... | 114 | Tekniske data..... | 123 |
| Montering..... | 118 | Tilbehør..... | 124 |
| Drift..... | 120 | EF-samsvarserklæring..... | 125 |

Innledning

Produktbeskrivelse

Vi arbeider løpende med å videreutvikle produktene våre og forbeholder oss derfor retten til endringer vedrørende bl.a. form og utseende uten varsel.

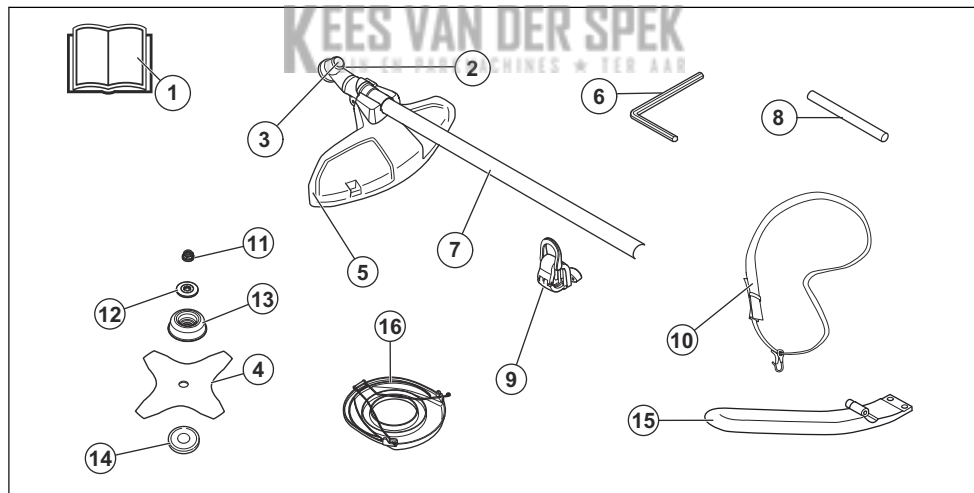
Merk: Denne håndboken dekker batteridrevne elektriske enheter.

Bruksområder



ADVARSEL: Dette tilbehøret kan bare brukes sammen med det tiltenkte produktet.

Produktoversikt



- | | |
|-------------------------------|--------------------------|
| 1. Bruksanvisning | 9. Opphengskrok for sele |
| 2. Vinkelgir | 10. Sele |
| 3. Hull for låsepinne | 11. Låsemutter |
| 4. Gressklinge | 12. Støtteflens |
| 5. Beskyttelse for skjærestyr | 13. Støttekopp |
| 6. 4 mm sekskant | 14. Medbringer |
| 7. Riggør | 15. J-håndtak |
| 8. Låsepinne | 16. Transportbeskyttelse |

Symboler på produktet



ADVARSEL! Uforsiktig eller feilaktig bruk av dette utstyret kan resultere i alvorlige skader eller dødsfall for brukeren eller andre.



Bruk vernehjelm på steder der gjenstander kan falle ned på deg. Bruk godkjent hørselsvern. Bruk godkjent øyevern.



Maksimal hastighet for den utgående akselen.



Hold alle deler av kroppen borte fra varme overflater.



Produktet kan kaste ut objekter, noe som kan føre til skader.



Det er fare for klinge kast dersom skjærestyret berører et objekt som ikke umiddelbart lar seg klippe. Produktet kan skjære av kroppsdeler. Hold produktet minst 15 meter / 50 fot unna personer og dyr når du bruker det.



Bruk godkjente vernehansker.



Bruk kraftige, sklisikre støvler.



Brukeren skal påse at ingen mennesker eller dyr kommer nærmere enn 15 meter unna. Når flere brukere arbeider på samme sted, skal sikkerhetsavstanden være på minst 15 meter. Produktet kan kaste gjenstander med stor kraft, og disse kan sprette tilbake. Dette kan føre til alvorlige øyeskader hvis ikke anbefalt verneutstyr brukes.



Støyutslipp til omgivelsene ifølge EFs direktiv. Utslippene fra tilbehøret er angitt i kapitlet Tekniske data og på klistremerket.

yyyywwxxxx

Typeskiltet viser serienummeret. **yyyy** er produksjonsåret, **ww** er produksjonsuken og **xxxx** er serienummeret.

Merk: Øvrige symboler/klistremerker angitt på produktet gjelder sertifiseringskrav for andre markeder.

Produsent

Husqvarna AB

Drottninggatan 2, SE-561 82 Huskvarna, Sweden, tel: +46-36-146500

Sikkerhet

Sikkerhetsdefinisjoner

Advarsler, oppfordringer og merknader brukes for å understreke spesielt viktige deler av bruksanvisningen.



ADVARSEL: Brukes hvis det er fare for personskade eller død for føreren eller andre personer om instruksjonene i håndboken ikke følges.



OBS: Brukes hvis det er fare for skade på produktet, annet materiell eller nærliggende områder om instruksjonene i håndboken ikke følges.

Merk: Brukes for å gi mer nødvendig informasjon for en spesifikk situasjon.

Generelle sikkerhetsadvarsler for elektroverktøy



ADVARSEL: Les alle sikkerhetsadvarsler, -instruksjoner, -illustrasjoner og spesifikasjoner som fulgte med dette elektroverktøyet. Hvis du ikke følger alle instruksjonene som er angitt nedenfor, kan det føre til elektrisk støt, brann og/eller alvorlige skader.

Merk: Ta vare på alle advarsler og instruksjoner for fremtidig bruk. Begrepet «elektroverktøy» i advarslene referer til elektrisk verktøy som drives av nettstrøm (med ledning) eller batteri (uten ledning).

Annenn generell sikkerhetsinformasjon

- Slå av produktet før du flytter det. Ta alltid ut batteriet før du overlater produktet til en annen person.
- Sett aldri produktet ned med mindre du har slått det av og tatt ut batteriet. Ikke forlat produktet uten tilsyn når det er slått på.
- Skjæreutstyret stopper ikke umiddelbart når produktet slås av.
- Klingen skal være helt i ro når utførebryteren har gått tilbake utgangsstillingen.
- Før produktet brukes og etter at det har vært utsatt for slag, må det kontrolleres for tegn på slitasje eller skader. Det skal repareres ved behov.
- Hvis noe skulle sette seg fast i skjæreutstyret mens du bruker produktet, må du stoppe og slå av produktet. Kontroller at skjæreutstyret stopper helt. Ta ut batteriet før du rengjør, inspiserer eller reparerer produktet og/eller skjæreutstyret.
- Kontroller produktet før bruk. Se *Produktoversikt på side 113* og *Slik kontrollerer du beskyttelsen for skjæreutstyret på side 117*. Ikke bruk et defekt produkt. Utfør sikkerhetskontrollene, og følg vedlikeholds- og serviceinstruksjonene i denne bruksanvisningen.
- Defekt skjæreutstyr kan øke risikoen for ulykker.
- Kontroller giret med tanke på smuss og sprekker. Fjern gress og løv fra giret med en børste. Hansker skal brukes ved behov.
- Pass alltid på at ventilasjonsåpningene holdes frie for smuss.
- Kontroller at trimmerhodet er skikkelig festet på trimmeren.
- Alle deksler, all beskyttelse og alle håndtak må være montert før maskinen startes.
- Kontroller at produktet er i perfekt stand. Kontroller at alle muttere og skruer er trukket ordentlig til.
- Kontroller trimmerhodet og trimmerskjermen slik at de er uten skader og fri for sprekkdannelser. Bytt trimmerhode eller trimmersjerm hvis de er blitt utsatt for slag eller har sprekker. Bruk alltid anbefalt beskyttelse for det spesifikke skjæreutstyret. Se kapitlet Tekniske data.
- Dette produktet er et farlig verktøy hvis du ikke er forsiktig, eller hvis du bruker produktet på feil måte. Dette produktet kan føre til alvorlig personskade eller død for operatøren eller andre.
- Maskinen er ikke ment for å brukes av personer (inkludert barn) med redusert fysisk, sansemessig eller mental kapasitet eller personer uten erfaring og kunnskap, hvis de ikke er under tilsyn og får instruksjoner i bruk av maskinen av en person som er ansvarlig for deres sikkerhet. Barn må holdes under oppsyn for å sikre at de ikke leker med apparatet.
- La aldri barn bruke eller oppholde seg i nærheten av maskinen. Siden maskinen er lett å starte, kan barn starte den hvis de ikke holdes under oppsyn. Dette kan medføre risiko for alvorlig personskade. Batteriet må derfor kobles fra når maskinen ikke er under oppsyn.
- Produktet og/eller batteriet må aldri brukes av barn eller personer som ikke har fått opplæring i bruken av det.
- Bruken av denne maskinen kan være regulert av nasjonal eller lokal lovgivning. Følg gjeldende lovgivning.
- Oppbevar utstyret i et låsbart område, slik at det er utilgjengelig for barn og uautoriserte personer.
- Transportbeskyttelsen må alltid brukes ved oppbevaring og transport.
- Sikre produktet under transport.
- Hold alltid hender og føtter borte fra klippeområdet, og spesielt når motoren slås på.
- Når produktet er slått av, må du holde hender og føtter unna skjæreutstyret til det har stoppet helt.
- Ikke fjern avklippet materiale eller la andre personer fjerne det mens produktet er slått på eller skjæreutstyret roterer. Dette kan føre til alvorlige skader.
- Husk at det er du som bruker som har ansvaret for å unngå at personer eller eiendom utsettes for fare.
- Den opprinnelige konstruksjonen til produktet må ikke under noen omstendigheter endres uten tillatelse fra produsenten. Bruk alltid originalt tilbehør. Uautoriserte endringer og/eller tilleggsutstyr kan medføre alvorlige skader eller dødsfall for brukeren eller andre. Garantien din dekker kanskje ikke skader eller erstatningsansvar som følger av bruk av uautoriserte tilbehør og reservedeler.
- Det eneste tilbehøret som kan brukes med dette produktet, er skjæreutstyret som anbefales i kapitlet om tekniske data.
- Bruk aldri et produkt som er modifisert slik at det ikke lenger er i samsvar med originalutførelsen.
- Bruk aldri et defekt produkt. Utfør sikkerhetskontrollene og vedlikeholds- og serviceinstruksjonene i denne bruksanvisningen. Noen vedlikeholds- og servicetiltak må utføres av erfarne og kvalifiserte spesialister. Se instruksjonene under overskriften Vedlikehold.
- Arbeid i dårlig vær er slitsomt og kan medføre ekstra faremomenter. Det anbefales ikke å bruke maskinen i veldig dårlig vær, for eksempel i tett tåke, kraftig regn, sterk vind eller sterk kulde eller ved fare for lyn. Dette gir økt fare.
- Arbeid aldri på en stige, skammel eller stå på noe annet som ikke er ordentlig sikret.
- Produktet bør oppbevares innendørs når det ikke er i bruk.
- Det er umulig å dekke alle de tenkelige situasjonene som kan oppstå. Vær alltid forsiktig og bruk sunn fornuft. Unngå situasjoner du ikke føler deg tilstrekkelig kvalifisert for. Hvis du etter å ha lest disse instruksjonene fortsatt føler deg usikker vedrørende bruken, skal du rådføre deg med en ekspert før du fortsetter.

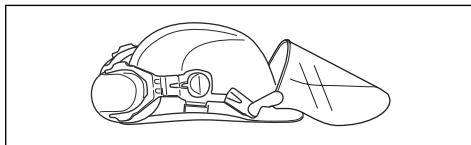
- Sørg for at ingen mennesker eller dyr kommer nærmere enn 15 m unna mens du arbeider. Hvis flere arbeider på samme sted, skal sikkerhetsavstanden være minst 15 meter. Ellers kan dette medføre risiko for alvorlig personskade. Stopp produktet øyeblikkelig hvis noen kommer nærmere. Sving aldri produktet rundt uten først å ha kontrollert bakover at ingen befinner seg innenfor sikkerhetssonen.
- Hvis noe skulle sette seg fast i skjæreutstyret mens du bruker produktet, må du stoppe og slå av produktet. Kontroller at skjæreutstyret stopper helt. Ta ut batteriet før du rengjør, inspiserer eller reparerer produktet og/eller skjæreutstyret.
- Sørg for at mennesker, dyr eller annet ikke kan påvirke kontrollen av produktet, og at de ikke kommer i kontakt med skjæreutstyret eller løse gjenstander som slynges ut av skjæreutstyret. Bruk imidlertid aldri produktet uten mulighet til å kunne påkalle hjelp ved en ulykke.
- Sørg for at du kan gå og stå sikkert. Se etter eventuelle hindre ved uventet forflytting (røtter, steiner, greiner, groper, forhøyninger osv.). Vær meget forsiktig ved arbeid i skrånende terreng.
- Gå, ikke løp.
- Inspiser arbeidsområdet. Fjern alle løse gjenstander, for eksempel steiner, glasskår, spiker, ståltråd, snorer osv., som kan bli slynget av sted eller vikle seg rundt kapperen eller kapperbeskyttelsen.
- Se opp for grenstumper som kan slynges i vei under kappingen. Klipp ikke for nær bakken, der steiner og andre gjenstander kan bli slynget av gårde.
- Forsikre deg om at ingen klær eller kroppsdeler kan komme i kontakt med skjæreutstyret når produktet er slått på. Hold produktet under midjehøyde.
- Se opp for gjenstander som slynges ut. Godkjent øyevern skal alltid brukes. Bøy deg aldri over beskyttelsen for skjæreutstyret. Steiner, skrot o.l. kan bli slynget opp i øynene og forårsake blindhet eller alvorlige skader.
- Vær alltid oppmerksom på varselsignaler eller tilrop ved bruk av hørselsvern. Ta alltid av hørselsvernet så snart produktet stopper.
- Hvis det oppstår uønskede vibrasjoner, mater du ut ny tråd, slik at tråden får riktig lengde. Dette skal stoppe vibrasjonene.
- Hvis produktet begynner å vibrere unormalt, må du stoppe produktet og ta ut batteriet.
- Overeksponering for vibrasjoner kan føre til blodkar- eller nerveskader hos personer som har dårlig blodsirkulasjon. Oppsøk lege hvis du opplever fysiske symptomer som kan relateres til overeksponering for vibrasjoner. Eksempel på slike symptomer er dovnang, manglende følelse, «kiling», «stikk», smerte, manglende eller redusert styrke, forandringer i hudens farge eller overflate. Disse symptomene opptrer vanligvis i fingre, hender eller håndledd.
- Bruk alltid begge hender for å holde produktet. Hold produktet på høyre side av kroppen.

Personlig verneutstyr

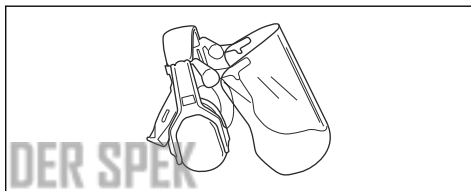


ADVARSEL: Les de følgende advarselinstruksjonene før du bruker produktet.

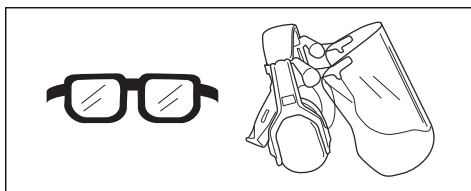
- Benytt alltid godkjent verneutstyr når du bruker produktet. Verneutstyr kan aldri fullstendig forhindre skade, men det reduserer skadeomfanget hvis ulykken inntreffer. Spør forhandleren din om hjelp til å velge riktig utstyr.
- Bruk vernehjelm dersom det kan være fare for fallende gjenstander.



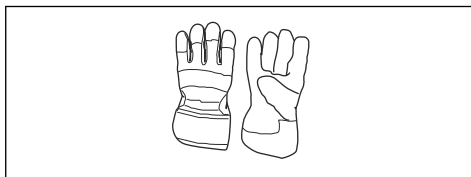
- Bruk godkjent hørselsvern med tilstrekkelig lyddeppe virkning. Langvarig eksponering for støy kan gi varige hørselsskader.



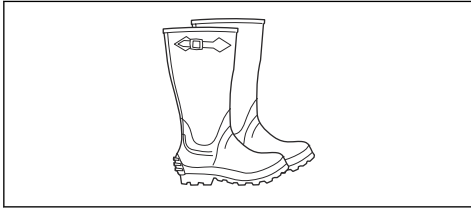
- Bruk godkjent øyevern. Ved bruk av visir skal det også brukes godkjente vernebriller. Godkjente vernebriller er slike som tilfredsstiller standard ANSI Z87.1 for USA eller EN 166 for EU-land.



- Bruk hansker når det er nødvendig, for eksempel når du fester, undersøker eller rengjør skjæreutstyret.



- Bruk sklisikre og solide støvler.



- Bruk klær av et slitesterkt materiale. Bruk alltid tykke langbukser og lange ermer. Unngå bruk av allfor vide klær som lett henger seg fast i kvister og grener. Ikke bruk smykker, kortbukser eller sandaler, og ikke gå barbert. Sett håret opp over skuldernivå.
- Ha førstehjelpsutstyr for hånden.



Sikkerhetsutstyr på produktet



ADVARSEL: Les de følgende advarslene før du bruker produktet.

I dette avsnittet forklares produktets sikkerhetsfunksjoner, hvilken funksjon det har, og hvordan man utfører kontroll og vedlikehold for å være sikker på at det fungerer. Se anvisninger under overskriften *Innledning på side 113* for å se hvor disse delene er plassert på ditt produkt.

Levetiden til produktet kan forkortes og risikoen for ulykker kan øke dersom produktvedlikeholdet ikke utføres på riktig måte, og dersom service og/eller reparasjoner ikke er fagmessig utført. Hvis du trenger ytterligere informasjon, kan du kontakte nærmeste servicecenter.



ADVARSEL: Bruk aldri et produkt med defekt sikkerhetsutstyr. Produktets sikkerhetsutstyr skal kontrolleres og vedlikeholdes som beskrevet i dette avsnittet. Hvis produktet ikke består alle kontrollene, må serviceverksted oppsøkes for reparasjon.



OBS: All service og reparasjon av maskinen krever spesialutdanning. Dette gjelder særlig maskinens sikkerhetsutstyr. Hvis maskinen ikke består alle kontrollene som er oppgitt nedenfor, må du oppsøke et serviceverksted. Kjøp av våre produkter garanterer at du kan få utført en fagmessig reparasjon og service. Hvis maskinen ikke er

kjøpt hos en av våre servicefaghandlere, så spør dem etter nærmeste serviceverksted.

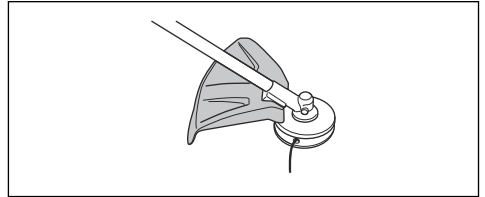
Slik kontrollerer du beskyttelsen for skjæreutstyret



ADVARSEL: Ikke bruk skjæreutstyr uten en godkjent og korrekt festet beskyttelse. Bruk alltid anbefalt beskyttelse for skjæreutstyr for det skjæreutstyret du bruker. Se *Tilbehør på side 124*. Hvis feil eller defekt beskyttelse for skjæreutstyr monteres, kan dette forårsake alvorlig personskade.

Beskyttelsen for skjæreutstyret stopper gjenstander som kastes ut i retning av brukeren. Det forhindrer også skader som oppstår hvis du berører skjæreutstyret.

1. Stopp motoren.
2. Utfør en visuell sjekk etter skader, for eksempel sprekker.



3. Skift ut beskyttelsen for skjæreutstyret hvis den er skadet.

Sikkerhetsinstruksjoner for montering



ADVARSEL: Les, forstå og følg disse instruksjonene nøye før du bruker produktet.

- Ta batteriet ut av produktet før du setter sammen produktet.
- Bruk godkjente vernehansker.
- En beskyttelse med feil eller mangler kan forårsake skade. Ikke bruk skjæreutstyr som ikke har en godkjent beskyttelse montert.
- Sørg for at du monterer dekslet og riggrøret på riktig måte før du starter produktet.
- Medbringerhjul og støtteflensen må monteres riktig i senterhullet til skjæreutstyret. Skjæreutstyr som er festet feil, kan forårsake skade eller død.
- Produktet må alltid festes til selen på riktig måte for trygg bruk og for å forhindre skade på brukeren og andre personer.

Sikkerhetsinstruksjoner for vedlikehold



ADVARSEL: Les de følgende advarslene før du utfører vedlikehold på produktet.

- Fjern batteriet før du utfører vedlikehold, andre kontroller eller monterer produktet.
- Operatøren må bare utføre vedlikehold og service som refereres til i denne bruksanvisningen. Henvend deg til forhandleren for mer omfattende vedlikehold og service.
- Ikke rengjør batteriet eller batteriladeren med vann. Sterke vaskemidler kan skade platen.
- Hvis du ikke utfører vedlikehold, minsker levetiden til produktet og risikoen for ulykker øker.

- Det kreves spesiell opplæring for alt vedlikehold og reparasjonsarbeid, spesielt for sikkerhetsutstyret på produktet. Hvis ikke alle kontrollene i denne bruksanvisningen er godkjent etter at du har gjort vedlikehold, må du ta kontakt med serviceforhandleren. Vi garanterer at fagmessig reparasjon og service er tilgjengelig for produktet.

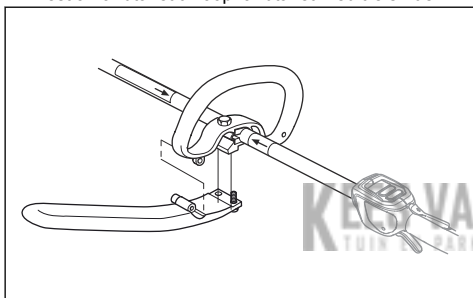
Montering

Slik monterer du J-håndtaket

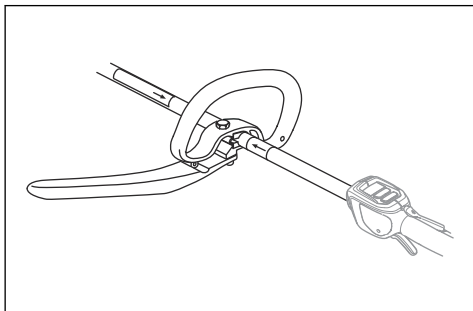


ADVARSEL: J-håndtaket skal festes til loophåndtaket hvis du har tenkt å bruke produktet med noe av det anbefalte skjæreutstyret av metall.

1. Fest J-håndtaket til loophåndtaket med tre skruer.

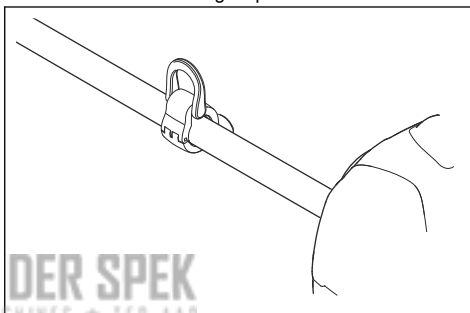


2. Juster produktet slik at det kan brukes komfortabelt.
3. Trekk til skruene.



Slik monterer du opphengskroken for sele hvis aktuelt

1. Monter opphengskroken for sele mellom pilene på det bakre håndtaket og loophåndtaket.



Merk: Ikke plasser loophåndtaket på etiketten.

2. Juster ringen for å balansere produktet og gjøre det enkelt å bruke.

Slik monterer du skjæreutstyret

Vernet består av et skjæreutstyr og et vern.



ADVARSEL: Bruk vernehansker.



ADVARSEL: Bruk alltid det vernet for skjæreutstyret som anbefales for skjæreutstyret. Se *Tekniske data på side 123*.



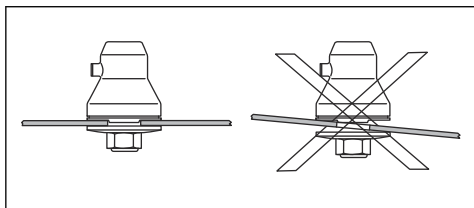
ADVARSEL: Skjæreutstyr som er festet på feil måte, kan forårsake skader eller død.

Montering av klinger



ADVARSEL: Ved montering av skjæreutstyr er det svært viktig at den forhøyede delen på medbringerhjulet/støtteflensen havner

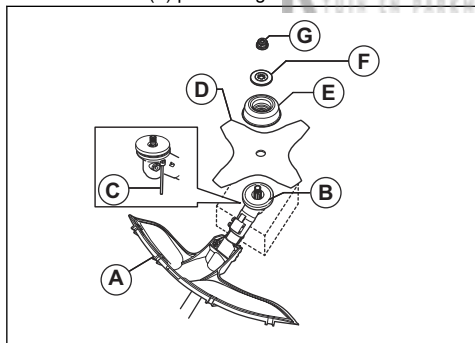
riktig i skjæreutstyrets midtre hull.
Feilmontert skjæreutstyr kan forårsake alvorlig og/eller livstruende personskade.



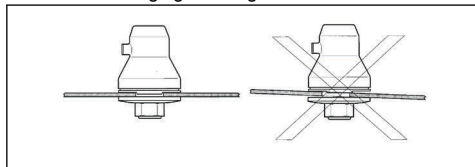
ADVARSEL: Skjæreutstyr må ikke under noen omstendigheter brukes uten at godkjent beskyttelse er montert. Se kapitlet Tekniske data. Hvis en feil eller defekt beskyttelse er montert eller J-håndtaket mangler ved bruk av metallskjæreutstyr, kan dette føre til alvorlig personskade.

Slik fester du gressklingen

1. Legg produktet på en flat overflate for å forsikre deg om at klingene monteres riktig.
2. Vri den utgående akselen slik at et av hullene i medbringerhjulet (B) står på linje med det riktige hullet i girhuset.
3. Sett låsepinnen (C) inn i hullet slik at riggrøret låses.
4. Plasser gressklingen (D), støttekoppen (E) og støtteflensen (F) på den utgående akselen.

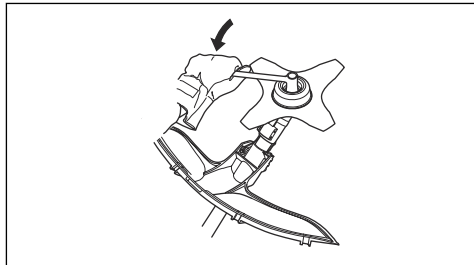


5. Kontroller at medbringerhjulet og støtteflensen monteres riktig i gressklings senterhull.



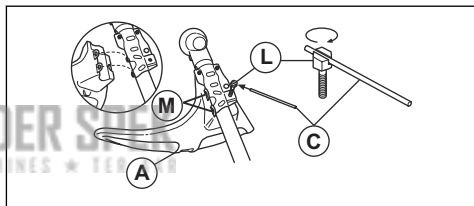
6. Sett i mutteren (G).

7. Stram til mutteren med pipenøkkelen. Hold skaftet på pipenøkkelen nær klingebeskyttelsen. Stram til i motsatt retning av hvordan skjæreutstyret roterer. Stram til med et dreiemoment på 35–50 Nm.



Slik festes trimmerskjermen for et trimmerhode

1. Hekt trimmerskjermen (A) på plateholderens (M) to kroker.
2. Bøy vernet rundt riggrøret, og fest det med skruen (L) på motstående side av riggrøret.
3. Sett låsepinnen (C) i sporet på skruhodet og stram til skruen helt.



Gressklinge

- Bruk klinger som er riktig slipt. En klinge som er filt feil eller skadd, øker risikoen for skader.
- Bruk riktig innstilte klinger. Riktig klingeinnstilling er 1 mm. En feil innstilt klinge øker risikoen for skader.
- Les instruksjonene som fulgte med klingene, for å slippe og stille den inn riktig.

Slik balanserer du produktet



ADVARSEL: Bruk alltid selen når du bruker produktet. Selen gir maksimal kontroll over produktet og bidrar til at du blir mindre sliten i armene og ryggen.

- Ta på deg selen.
- Fest produktet til opphengskroken for selen og hold skjæreutstyret parallelt med bakken.

- Produktet er riktig balansert når klingen er i klippehøyde nær bakken.



Drift

Innledning



ADVARSEL: Les og forstå kapittelet om sikkerhet før du bruker produktet.

Slik justerer du selen



ADVARSEL: Fest alltid dette produktet til selen på riktig måte. Hvis det ikke er gjort, kan du ikke kontrollere produktet på en trygg måte, og dette kan føre til skader på deg eller andre. Ikke bruk en sele med feil på hurtigtutløseren.



ADVARSEL: Hvis en nødssituasjon oppstår, slipper du produktet og lar det falle til bakken.

1. Ta på deg selen.
2. Juster selen for beste arbeidsstilling.
3. Juster selen slik at skjæreutstyret er parallelt med bakken.



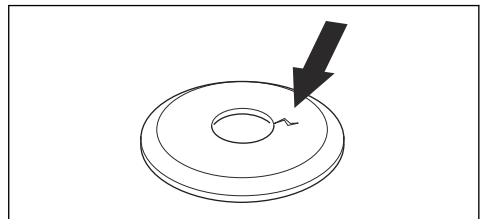
4. Hvis du skal klippe gress, må du holde skjæreutstyret forsiktig mot bakken. Juster seleklemmen for å balansere produktet riktig.

Arbeidsposisjon

- Hold i produktet med begge hender.
- Hold produktet på høyre side av kroppen.
- Ha skjæreutstyret under midjehøyde.
- Hold kroppsdeler unna varme overflater.
- Hold kroppsdeler unna skjæreutstyret.

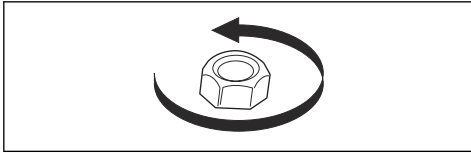
Før du bruker produktet

- Undersøk arbeidsområdet for å forsikre deg om at du er klar over hvordan terrenget og hellingen er. Undersøk også om det finnes noen hindringer som steiner, grener eller grøfter i veien.
- Utfør en inspeksjon av produktet.
- Utfør sikkerhetskontrollene, vedlikeholdet og servicen som er angitt i denne bruksanvisningen.
- Kontroller at alle deksler, beskyttelser, håndtak og skjæreutstyr er riktig festet og ikke er skadet.
- Kontroller at det ikke er sprekker i bunnen av gressklingetennene eller på klingens sentrumshull. Bytt klinger hvis den er skadet.
- Undersøk støtteflensen for sprekker. Bytt støtteflensen hvis den er skadet.

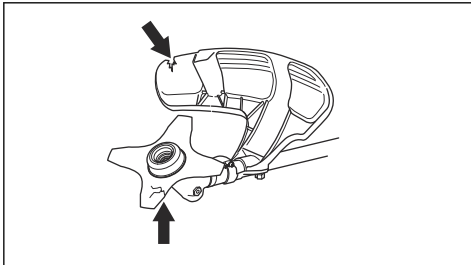


- Kontroller at låsemutteren ikke kan fjernes for hånd. Hvis du kan ta den av for hånd, vil den ikke låse

skjæreutstyret tilstrekkelig, og den må derfor byttes ut.



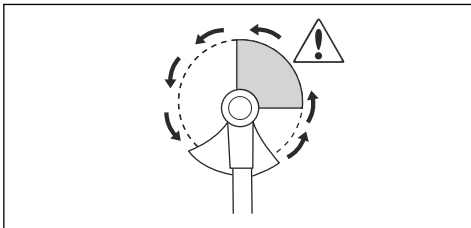
- Undersøk klingebeskyttelsen for skader og sprekker. Bytt ut klingebeskyttelsen hvis den har blitt utsatt for slag eller støt, eller hvis den har sprekker.
- Undersøk trimmerhodet og beskyttelsen for skjæreutstyret for skader eller sprekker. Bytt ut trimmerhodet og beskyttelsen for skjæreutstyret hvis de har blitt utsatt for slag, eller hvis de har sprekker.



Klinge kast



ADVARSEL: Et klinge kast oppstår når produktet flyttes raskt til siden og med makt. Et klinge kast oppstår når gressklingen treffer eller støter på noe som ikke kan klippes. Et klinge kast kan slynge produktet eller brukeren i alle retninger. Det kan oppstå skade på brukeren og andre personer i nærheten. Faren øker i områder der det ikke er lett å se materialet som skal klippes. Ikke klipp med området på klingen som vises i grått på tegningen. Hastigheten og bevegelsen på klingen kan forårsake klinge kast. Faren øker med tykkelsen på grenen som kuttes.

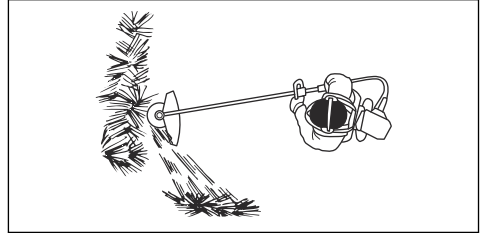


Gressrydding med gressklinge



OBS: Ikke bruk gressklinger og gresskniver på tre. Bruk gressklinger og gresskniver kun på langt eller tungt gress.

- Flytt produktet fra side til side.
- Beveg deg fra høyre til venstre når du klipper. Flytt produktet til høyre før du begynner å klippe igjen.
- Klipp med den venstre siden av gressklingen.



- Vinkle gressklingen til venstre for å få gresset til å falle på linje. Dette gjør det enklere å samle opp gresset.
- Stå i en stabil stilling med føttene fra hverandre.
- Flytt deg forover for hver bevegelse til høyre, og pass på at du står i en stabil stilling før du begynner å klippe igjen.
- Hold støttekoppen med et lett trykk mot bakken for å sikre at gressklingen ikke treffer bakken.
- Følg disse instruksjonene for å redusere faren for at avklippet materiale vikler seg rundt gressklingen:
 - a) Gi full gass.
 - b) Ikke flytt gressklingen gjennom avklippet materiale når du beveger produktet fra venstre til høyre.
- Før du samler opp avklippet materiale, må du slå av motoren og fjerne produktet fra selen. Sett produktet ned på bakken.

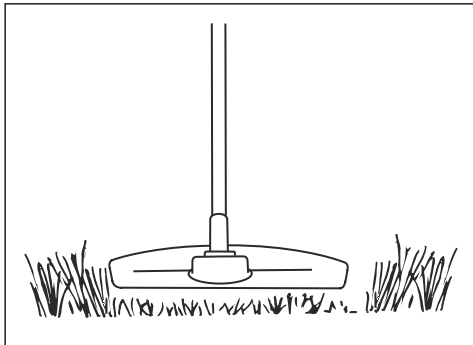
Fjerne gress med en gressklinge

1. Gressklinger og gresskniver må ikke brukes på treaktige stammer.
2. Til alle typer av høyt eller kraftig gress brukes gressklinge.
3. Gresset meies ned med pendlende bevegelser til sidene, der bevegelse fra høyre til venstre er ryddemomentet og bevegelse fra venstre til høyre er returbevegelsen. La klingen arbeide med venstre side (mellom klokken 8 og 12).
4. Hvis klingen vippes noe mot venstre ved gressrydding, samles gresset i en streng som gjør oppsamlingen lettere f.eks. ved raking.
5. Forsøk å arbeide rytmisk. Stå støtt med føttene fra hverandre. Flytt deg forover etter returbevegelsen og still deg støtt igjen.
6. La støttekoppen ligge lett an mot bakken. Den skal beskytte klingen mot å gå i bakken.

- Reduser faren for at materiale setter seg fast rundt klingen, ved å alltid arbeide med fullt turtall og unngå det nyklipte materialet under returbevegelsen.
- Stans motoren, løsne selen og plasser maskinen på bakken før du samler sammen materialet som er klipt.

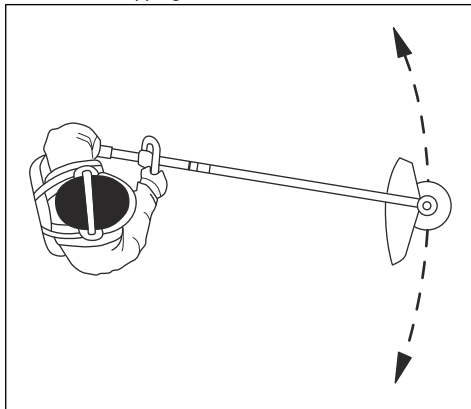
Slik klipper du gress

- Kontroller at gresstrimmertråden er parallell med bakken når du klipper.



- Ikke dytt trimmerhodet ned i bakken. Bakken og produktet kan bli skadet.
- Ikke la trimmerhodet berøre bakken kontinuerlig, det kan føre til skade på trimmerhodet.

4. Bruk fullt turtall når du beveger produktet fra side til side for å klippe gress.



Kontroller at gresstrimmertråden er parallell med bakken.

Slik samler du opp gresset

Luftstrømmen fra den roterende trimmertråden kan brukes til å fjerne gress fra et bestemt område.

- Hold trimmerhodet og tråden parallelt med og over bakken.
- Gi full gass.
- Beveg trimmerhodet fra side til side, og samle opp gresset.



ADVARSEL: Rengjør trimmerhodets deksel hver gang du monterer en ny trimmertråd for å forhindre ubalanse og vibrasjon i håndtakene. Utfør også en kontroll av de andre delene på trimmerhodet, og rengjør det om nødvendig.

Vedlikehold

Innledning



ADVARSEL: Før du utfører vedlikeholdsarbeid, må du lese og forstå kapittelet om sikkerhet.

Vedlikeholdsskjema



ADVARSEL: Fjern batteriet før du utfører vedlikehold.

Under følger en liste over vedlikeholdstrinnene som må utføres på produktet.

| Vedlikehold | Daglig | Ukentlig | Månedlig |
|--|--------|----------|----------|
| Rengjør de utvendige delene av produktet med en tørr klut. Du må ikke bruke vann. | X | | |
| Kontroller at skjærestyret ikke er skadet. Skift ut skjærestyret hvis det er skadet. | X | | |

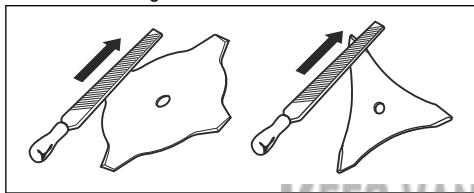
| Vedlikehold | Daglig | Ukentlig | Månedlig |
|--|--------|----------|----------|
| Kontroller at skjæreutstyrsbeskyttelsen ikke er skadet. Skift ut beskyttelsen for skjæreutstyret hvis den er skadet. | X | | |
| Kontroller at skruer og mutre sitter stramt. | X | | |
| Kontroller at vinkelgiret er 3/4 fylt med smøremiddel. Etterfyll om nødvendig med spesialfett. | | X | |

Slik sliper du gresskniven og gressklingen



ADVARSEL: Stopp motoren. Bruk vernehansker.

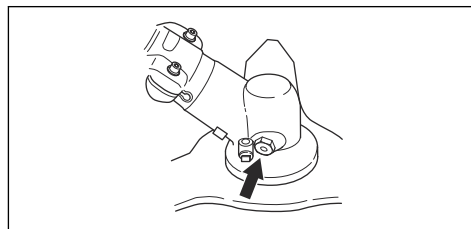
- Les instruksjonene som fulgte med skjæreutstyret for å slippe gresskniven eller gressklingen på riktig måte.
- Slip alle kantene like mye for å beholde balansen.
- Bruk en enkelgradet flatfil.



ADVARSEL: Kast alltid en klinge som har blitt skadet. Ikke forsøk å rette opp en bøyd klinge og bruke den på nytt.

Vinkelgir

Vinkelgiret fylles tre fjerdedeler opp med fett på fabrikken. Før du bruker produktet, må du forsikre deg om at fettnivået ikke har blitt endret. Bruk Husqvarna-spesialfett hvis det blir nødvendig å etterfylle. Ikke bytt ut fett i vinkelgiret. La servicepersonell utføre reparasjoner av vinkelgiret.



Tekniske data

Tekniske data

| 325iLK + Ryddesagtilbehør BCA850 | |
|--|---------|
| Motor | |
| Turtall på utgående aksel, o/min ³³ | 5800 |
| Vekt | |
| Vekt, kg | 3,7+1,6 |
| Klipping | |
| Klippebredde, cm | Ø 255 |

³³ Omdreininger/minuttet

| | |
|--|---------|
| 325iLK + Ryddesagtilbehør BCA850 | |
| Støynivå³⁴ | |
| Lydeffektnivå, målt dB (A) | 95 |
| Lydeffektnivå, garantert L _{WA} dB (A) | 96 |
| Lydnivåer³⁵ | |
| Ekvivalent lydtrykknivå ved brukerens øre, målt etter ISO 22868, dB (A): | |
| Utstyrt med trimmerhode (originalt) | 82 |
| Vibrasjonsnivåer³⁶ | |
| Vibrasjonsnivåer i håndtak, målt i henhold til ISO 22867, m/sek ² | |
| Utstyrt med trimmerklinge (original) venstre/høyre | 3,3/1,5 |

Tilbehør

Tilbehør

| Godkjent tilbehør med BCA850-festet | Tilbehørstype | Beskyttelse for skjærestyr, art. nr. |
|---------------------------------------|---|--------------------------------------|
| Gjenge på klingeaksel M10 | | |
| Senterhull i klinger/kniver Ø 25,4 mm | | |
| Gressklinge/gresskniv | Gressklinge 255-4, 1" (Ø 255, 4 tenner) | 588 11 79-01 |

³⁴ Utslipp av støy til omgivelsene målt som lydeffekt (LWA) ifølge EF-direktiv 2000/14/EF. Rapporterte lydeffektnivåer for maskinen er målt med det originale skjærestyret som gir høyest nivå. Forskjellen mellom garantert og målt lydeffekt er at garantert lydeffekt også omfatter spredning i måleresultatet og variasjoner mellom forskjellige maskiner av samme modell, i henhold til direktivet 2000/14/EF.

³⁵ Rapporterte data for lydtrykknivå for maskinen har en typisk statistisk spredning (standardavvik) på 3 dB (A) og er målt med originaltilbehør som gir det høyeste nivået.

³⁶ Rapporterte data for vibrasjonsnivå har en typisk statistisk spredning (standardavvik) på 2 m/s². Bruk vibrasjonskalkulatoren for å sammenligne vibrasjonsnivåer, batteri- og bensindrevne produkter. <https://www.husqvarna.com/uk/services-solutions/vibration-calculator/>.

EF-samsvarserklæring

Husqvarna AB, SE-561 82 Huskvarna, Sweden, tel: +46-36-146500, erklærer at ryddesagtilbehøret Husqvarna BCA850, med serienummer fra 2019 og fremover (året er tydelig merket på typeskiltet, etterfulgt av serienummeret) sammen med motorenheten 325iLK samsvarer med kravene i RÅDSDIREKTIVET:

- fra 17. mai 2006 «angående maskiner», **2006/42/EF**
- fra 26. februar 2014 «angående elektromagnetisk kompatibilitet», **2014/30/EU**
- fra 8. mai 2000 «angående utslipp av støy til omgivelsene», **2000/14/EF**
- fra 8. juni 2011 «om begrensning i bruk av visse farlige stoffer i elektrisk og elektronisk utstyr» **2011/65/EU**

Følgende standarder er blitt brukt: IEC 62841-1:2014, EN ISO 11806-1:2011, EN 50581:2012

RISE SMP Svensk Maskinprovning AB, Box 7035, SE-750 07 Uppsala, Sweden, Box 7035, SE-750 07 Uppsala, Sweden har utført EF-typeundersøkelse i samsvar med maskindirektivets (2006/42/EF) artikkel 12, punkt 3b. Sertifikatet har følgende nummer:

RISE SMP Svensk Maskinprovning AB har også bekreftet samsvar med vedlegg V i rådsdirektiv 2000/14/EF. Sertifikatet har følgende nummer: 01/1610/010

For informasjon som gjelder støytutslipp, kan du se *Tekniske data på side 123*.

Huskvarna



Pär Gustafsson, utviklingssjef (autorisert representant for Husqvarna AB og ansvarlig for teknisk dokumentasjon)

ÍNDICE

| | | | |
|--------------------|-----|------------------------------------|-----|
| Introdução..... | 126 | Manutenção..... | 136 |
| Segurança..... | 127 | Especificações técnicas..... | 137 |
| Montagem..... | 131 | Acessórios..... | 138 |
| Funcionamento..... | 133 | Declaração CE de conformidade..... | 139 |

Introdução

Descrição do produto

Seguimos uma política de desenvolvimento contínuo dos nossos produtos e, por conseguinte, reservamo-nos o direito de modificar o design e o aspeto dos mesmos, sem aviso prévio.

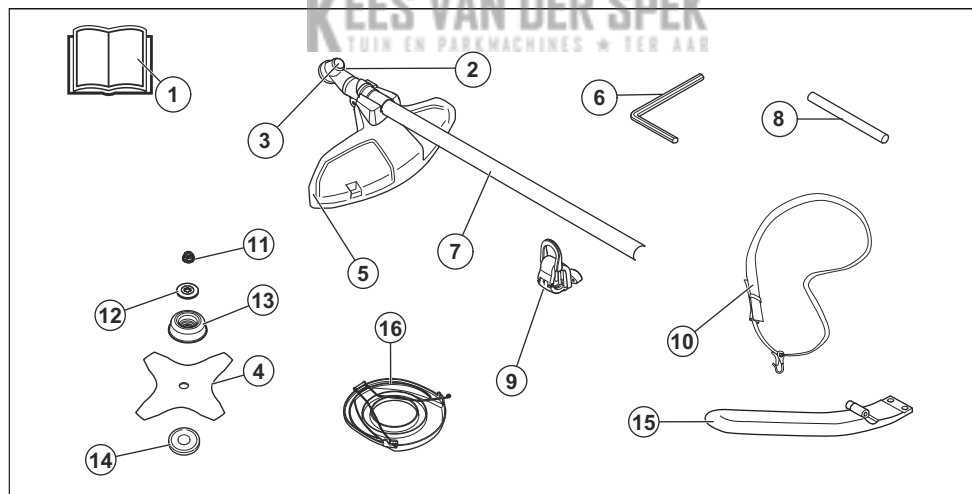
Nota: Este manual abrange unidades de potência operadas a bateria.

Finalidade



ATENÇÃO: Este acessório apenas pode ser utilizado juntamente com o produto

Vista geral do produto



1. Manual do utilizador
2. Engrenagem cónica
3. Orifício para pino de bloqueio
4. Lâmina de relva
5. Proteção do acessório de corte
6. Chave sextavada de 4 mm
7. Eixo

8. Pino de bloqueio
9. Gancho de suspensão da correia
10. Cablagem
11. Porca de fixação
12. Flange de apoio
13. Copo de apoio
14. Acionador

pretendido; consulte o capítulo do acessório no manual do utilizador do produto.

Esta é uma roçadora para cortar diferentes tipos de vegetação. Não utilize o produto para outras tarefas que não aparar e desbastar relva. Utilize uma lâmina de relva para cortar erva.

Nota: A utilização pode estar sujeita a regulamentos nacionais ou locais. Respeite os regulamentos estabelecidos.

15. Punho em J
 16. Proteção para transporte

Símbolos no produto



AVISO! A utilização indevida ou incorreta deste acessório pode provocar ferimentos graves ou fatais no utilizador ou noutras pessoas.



Utilize um capacete de proteção em locais onde possam cair objetos sobre si. Utilize protetores acústicos aprovados. Utilize proteção ocular aprovada.



Velocidade máxima do eixo de saída.



Mantenha todas as partes do seu corpo afastadas das superfícies quentes.



O produto pode provocar a projeção de objetos, causando ferimentos.



Risco de arremesso da lâmina se o equipamento de corte tocar num objeto que não é imediatamente cortado. O produto pode cortar partes do corpo. Mantenha pessoas e animais a uma distância mínima de 15 m/50 pés durante o funcionamento do produto.



Utilize luvas de proteção aprovadas.



Use botas antiderrapantes resistentes.



O utilizador tem de se certificar de que as pessoas e os animais não se aproximam a menos de 15 metros. Devido a vários operadores trabalharem simultaneamente na mesma área, tem que haver uma distância de segurança de 15 metros pelo menos. O acessório pode arremessar violentamente objetos que podem fazer ricochete. Isso pode levar a graves lesões nos olhos no caso do equipamento de segurança recomendado não ser usado.



Emissões de ruído para o meio ambiente conforme diretiva da Comunidade Europeia. As emissões do acessório são indicadas no capítulo de Especificações técnicas e na etiqueta.

yyyywwxxxx

A etiqueta de tipo apresenta o número de série. **yyyy** corresponde ao ano de produção, **ww** à semana de produção e **xxxx** é o número de série.

Nota: Os restantes símbolos/autocolantes existentes no produto dizem respeito a exigências para homologação em outras áreas comerciais.

Fabricante

Husqvarna AB

Drottningatan 2, SE-561 82 Huskvarna, Sweden, tel: +46-36-146500

Segurança

Definições de segurança

Os avisos, as precauções e as notas são utilizados para indicar partes especialmente importantes do manual.



ATENÇÃO: Utilizado no caso de existir risco de ferimento ou morte para o utilizador ou transeuntes, se não forem respeitadas as instruções do manual.



CUIDADO: Utilizado se existir risco de danos para o produto, para outros materiais ou para a área adjacente, se não forem respeitadas as instruções do manual.

Nota: Utilizado para disponibilizar informações adicionais necessárias numa determinada situação.

Avisos gerais de segurança da ferramenta eléctrica



ATENÇÃO: Leia todos os avisos de segurança, as instruções, as ilustrações e as especificações fornecidos com esta ferramenta eléctrica. O incumprimento das instruções indicadas abaixo poderá resultar em choques elétricos, incêndios e/ou ferimentos graves.

Nota: Guarde todos os avisos e instruções para referência futura. O termo "ferramenta elétrica" nos avisos refere-se à sua ferramenta elétrica com ligação à corrente (com cabo) ou ferramenta elétrica com bateria (sem cabo).

Outras informações gerais de segurança

- Antes de se deslocar para outra área, desative o produto. Retire sempre a bateria quando passar o produto a outra pessoa.
- Nunca pouse o produto sem o ter desativado e retirado a bateria. Não deixe o produto sem supervisão quando este estiver ligado.
- A ferramenta de corte não para imediatamente após o produto ter sido desligado.
- A lâmina deve estar completamente parada após o interruptor do acionador regressar à posição inicial.
- Antes de utilizar o produto e após um impacto, verifique se existem sinais de desgaste ou danos e proceda à respetiva reparação, conforme necessário.
- Se o acessório de corte ficar encravado durante o funcionamento do produto, pare-o e desative-o. Certifique-se de que o acessório de corte para completamente. Retire a bateria antes de limpar, inspecionar ou reparar o produto e/ou o equipamento de corte.
- Verifique o produto antes de o utilizar. Consulte *Vista geral do produto na página 126 e Verificar a proteção do acessório de corte na página 130*. Não utilize um produto danificado. Efetue as verificações de segurança e cumpra as instruções de manutenção e assistência técnica descritas neste manual.
- Um acessório de corte com defeito pode aumentar o risco de acidentes.
- Verifique a engrenagem quanto à existência de sujidade e fissuras. Retire a relva e as folhas da engrenagem com uma escova. Deve-se usar luvas quando necessário.
- Certifique-se sempre de que os orifícios de ventilação não se encontram obstruídos por detritos.
- Certifique-se de que o cabeçote de recorte se encontra totalmente ligado à recortadora.
- Todas as coberturas, proteções e punhos têm de estar montados antes da colocação da máquina em funcionamento.
- Verifique se o produto está em perfeitas condições de funcionamento. Verifique se todos os parafusos e Pernos estão apertados correctamente.
- Verifique se o cabeçote de recorte e a proteção de recorte não apresentam danos e fissuras. Substitua a cabeça do aparador ou a proteção do aparador se tiverem sido sujeitas a impactos ou se apresentarem fissuras. Utilize sempre a proteção recomendada para o acessório de corte específico. Veja o capítulo Especificações técnicas
- Se o utilizador não for cuidadoso ou se o produto for utilizado de forma incorreta, este produto é uma ferramenta perigosa. Este produto pode provocar ferimentos graves ou a morte do operador ou terceiros.
- Esta ferramenta não pode ser utilizada por pessoas (incluindo crianças) com capacidades físicas, sensoriais ou mentais reduzidas, ou falta de experiência e conhecimentos, exceto se sob vigilância ou depois de terem recebido instruções acerca do uso da mesma por parte de alguém responsável pela sua segurança. As crianças devem ser vigiadas para garantir que não brincam com a ferramenta.
- Nunca permita que uma criança utilize a máquina ou se encontre na proximidade da mesma. Uma vez que a máquina se liga facilmente, as crianças podem conseguir ligá-la se não forem vigiadas em permanência. Isto pode implicar um risco de ferimentos pessoais graves. Por isso, desligue a bateria quando a máquina não estiver sob vigilância.
- Não permita em circunstância alguma que uma criança ou outras pessoas que não saibam utilizar o produto e/ou a bateria o utilizem ou realizem operações de manutenção.
- A utilização pode estar sujeita a regulamentos nacionais ou locais. Respeite os regulamentos estabelecidos.
- Armazene o equipamento numa área que seja possível de trançar, de modo a mantê-lo fora do alcance de crianças e pessoas não autorizadas.
- Utilize sempre a proteção para transporte para o armazenamento e o transporte.
- Fixe o produto durante o transporte.
- Mantenha as mãos e os pés sempre afastados da área de corte, especialmente quando ligar o motor.
- Mantenha as mãos e os pés afastados do acessório de corte até que este pare completamente quando o produto é desativado.
- Não retire nem deixe que outras pessoas retirem o material cortado com o produto ativo ou com o equipamento de corte em rotação, pois tal poderá resultar em ferimentos graves.
- Esteja consciente de que é você, o operador, o responsável por evitar expor pessoas e bens a situações que possam representar perigo de danos pessoais ou materiais.
- Não é permitido modificar, em circunstância alguma, a configuração original do produto sem a autorização expressa do fabricante. Utilize sempre acessórios originais. A realização de modificações e/ou a utilização de acessórios não autorizados podem provocar ferimentos pessoais graves ou perigo de vida para o utilizador ou terceiros. A garantia pode não abranger responsabilidades ou danos provocados pela utilização de peças de substituição ou acessórios não autorizados.
- Os únicos acessórios que pode utilizar com este produto são os acessórios de corte recomendados no capítulo de especificações técnicas.

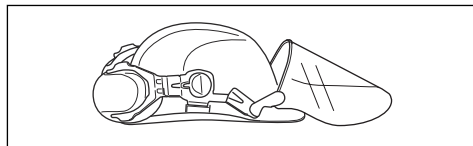
- Nunca utilize um produto cujas especificações originais tenham sido alteradas.
- Nunca utilize um produto defeituoso. Efectue as verificações de segurança e cumpra as instruções de manutenção e assistência técnica contidas neste manual. Alguns serviços de manutenção e de assistência técnica têm de ser executados por especialistas formados e qualificados. Consulte as instruções na secção Manutenção.
- Trabalhar em más condições meteorológicas é cansativo e muitas vezes traz riscos acrescidos. Devido ao risco acrescido, não se recomenda a utilização da máquina em condições meteorológicas adversas, por exemplo, nevoeiro denso, chuva intensa, ventos fortes, frio intenso ou risco de trovoada, etc.
- Nunca trabalhe de uma escada, banco ou qualquer outra posição elevada, que não seja completamente segura.
- Armazene ferramentas inativas no interior - quando não estão a ser utilizadas, as ferramentas devem ser armazenadas no interior
- Não é possível cobrir todas as situações possíveis que poderá enfrentar. Actue sempre com precaução e use de senso comum. Evite todas as situações que considere estarem para além das suas capacidades. Caso se sinta inseguro acerca dos procedimentos de operação depois de ler estas instruções, consulte um perito antes de prosseguir.
- Certifique-se de que não existem pessoas ou animais a uma distância inferior a 15 metros enquanto trabalha. Sempre que trabalhem vários operadores em simultâneo no mesmo local, a distância de segurança deve ser, no mínimo, de 15 metros. Caso contrário, existe um risco de ferimentos pessoais graves. Pare imediatamente o produto se alguém se aproximar. Nunca balance o produto à sua volta sem verificar se está alguém na zona de segurança.
- Se o acessório de corte ficar encravado durante o funcionamento do produto, pare-o e desative-o. Certifique-se de que o acessório de corte para completamente. Retire a bateria antes de limpar, inspecionar ou reparar o produto e/ou o equipamento de corte.
- Certifique-se de que não existem pessoas, animais ou outras coisas que possam afetar o seu controlo do produto, ou que estes não entrem em contacto com o acessório de corte ou objetos soltos que possam ser projetados pelo acessório de corte. Contudo, não utilize o produto num local em que não seja possível pedir ajuda em caso de acidente.
- Certifique-se de que pode andar e estar de pé com segurança. Tenha cuidado com eventuais obstáculos (raízes, pedras, ramos, valas, etc.) em caso de deslocamento inesperado. Tenha muito cuidado ao trabalhar em terreno inclinado.
- Caminhe, nunca corra.
- Inspeccione a área de trabalho. Remova todos os objetos soltos, como pedras, vidros partidos, pregos, arame, cordas, etc., que possam ser arremessados ou enredar-se na cortadora ou na respetiva proteção.
- Durante a operação de corte, tome cuidado com galhos que possam ser projetados. Não efetue cortes demasiado junto ao solo onde existam pedras e outros objetos que possam ser projetados.
- Certifique-se de que o vestuário ou partes do corpo não entrem em contacto com o acessório de corte quando o produto está ativo. Mantenha o produto abaixo do nível da cintura.
- Atenção a objetos arremessados. Utilize sempre proteção ocular aprovada. Nunca se incline sobre a proteção do acessório de corte. Pedras, lixo, etc., podem ser arremessados contra os olhos, o que pode causar cegueira ou ferimentos graves.
- Quando estiver a utilizar protetores acústicos, esteja atento a sinais de aviso ou gritos. Retire sempre os protetores acústicos assim que o produto parar.
- Se ocorrerem quaisquer vibrações inesperadas, faça sair fio novo para que o fio tenha o comprimento correto para parar as vibrações.
- Se o produto começar a vibrar de forma anormal, pare-o e remova a bateria.
- A sobreexposição a vibrações pode levar a lesões arteriais ou nervosas em pessoas com má circulação sanguínea. Consulte um médico em caso de sintomas relacionados com a sobre-exposição a vibrações. Alguns desses sintomas são entorpecimento, perda de sensibilidade, formigueiro, pontadas, dor, perda de força, alterações na cor ou condição da pele. Estes sintomas surgem normalmente nos dedos, nas mãos ou nos pulsos.
- Segure sempre o produto com as duas mãos. Mantenha o produto do lado direito do seu corpo.

Equipamento de proteção pessoal

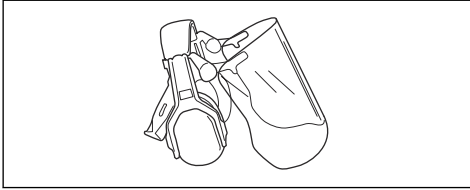


ATENÇÃO: Leia as instruções de aviso que se seguem antes de utilizar o produto.

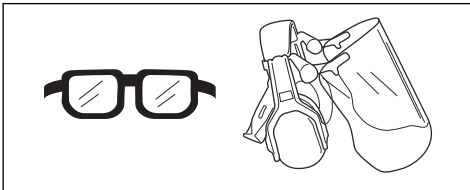
- Utilize sempre equipamento de proteção pessoal aprovado ao utilizar o produto. O equipamento de proteção pessoal não previne totalmente os ferimentos mas diminui a respetiva gravidade em caso de acidente. Obtenha ajuda junto do seu concessionário para selecionar o equipamento certo.
- Utilize um capacete de proteção caso exista o risco de objetos em queda.



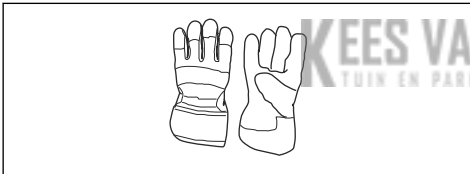
- Utilize protetores acústicos aprovados com suficiente insonorização. A exposição prolongada a ruídos pode provocar danos auditivos permanentes.



- Utilize proteção ocular aprovada. Mesmo com viseira, é necessário utilizar óculos de proteção aprovados. É necessário que os óculos de proteção aprovados estejam em conformidade com a norma ANSI Z87.1 nos EUA ou a norma EN 166 nos países da UE.



- Use luvas sempre que necessário, por exemplo, ao fixar, examinar ou limpar o acessório de corte.

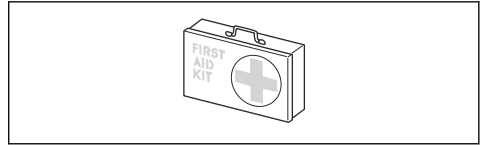


- Use botas estáveis e antideslizantes.



- Utilize vestuário fabricado com um tecido resistente. Utilize sempre calças e mangas compridas grossas. Não utilize vestuário largo que possa ficar preso em galhos e ramos. Não utilize joias, calções, nem ande de sandálias ou descalço. Coloque o seu cabelo acima dos ombros para maior segurança.

- Mantenha equipamentos de primeiros socorros sempre à mão.



Dispositivos de segurança no produto



ATENÇÃO: Leia as instruções de aviso que se seguem antes de utilizar o produto.

Nesta secção, descrevem-se os componentes de segurança do produto, a sua função e ainda a forma de efetuar a verificação e manutenção para garantir o funcionamento correto do mesmo. Para localizar estes componentes no seu produto, consulte as instruções na secção *Introdução na página 126*.

Se a manutenção do produto não for devidamente efetuada, e se a assistência e/ou as reparações não forem realizadas por profissionais, a vida útil do produto pode ser afetada e o risco de acidentes pode aumentar. Para obter mais informações, contacte o seu revendedor local.



ATENÇÃO: Nunca use um produto com equipamento de segurança defeituoso. O equipamento de segurança do produto tem de ser inspecionado e a sua manutenção feita conforme se descreve nesta secção. Se o produto falhar alguma destas verificações, entre em contacto com uma oficina autorizada para a sua reparação.



CUIDADO: toda a assistência e reparação da máquina requer formação especializada. Isto aplica-se especialmente ao equipamento de segurança da máquina. Se a máquina falhar alguma das verificações que se seguem, procure a sua oficina autorizada. A compra de qualquer um dos nossos produtos garante-lhe a obtenção de reparação e assistência profissionais. Se o local da compra da máquina não for um dos nossos revendedores com assistência técnica, consulte a oficina autorizada mais próxima.

Verificar a proteção do acessório de corte

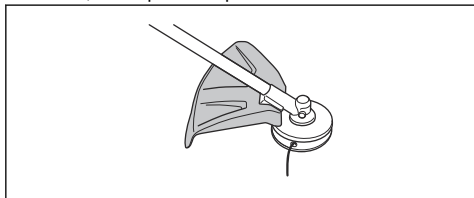


ATENÇÃO: Não utilize um acessório de corte sem uma proteção para o acessório de corte aprovada e corretamente instalada. Utilize sempre a proteção do equipamento de corte recomendada para o equipamento de corte que utilizar; consulte *Acessórios na*

página 138. Caso esteja montada uma proteção do equipamento de corte incorreta ou defeituosa, tal pode causar ferimentos pessoais graves.

A proteção do equipamento de corte protege o operador dos objetos que são projetados na sua direção. Também evita ferimentos que ocorrem se tocar no acessório de corte.

1. Pare o motor.
2. Efetue uma inspeção visual para verificar se existem danos, como por exemplo fissuras.



3. Substitua a proteção do equipamento de corte, caso esteja danificada.

Instruções de segurança para montagem



ATENÇÃO: Leia, compreenda e siga atentamente estas instruções antes de utilizar o produto.

- Retire a bateria do produto antes de o montar.
- Utilize luvas de proteção aprovadas.
- Uma proteção com defeito ou desadequada pode causar ferimentos. Não utilize um acessório de corte que não tenha uma proteção aprovada.
- Certifique-se de que instala corretamente a cobertura e o eixo antes de ligar o produto.

- O acionador e o flange de apoio têm de encaixar corretamente no orifício central do acessório de corte. Um acessório de corte ligado incorretamente pode causar ferimentos ou morte.
- Para utilizar o produto de forma segura e evitar que o operador e terceiros sofram ferimentos, o produto deve estar sempre ligado corretamente à correia.

Instruções de segurança para manutenção



ATENÇÃO: Leia as instruções de aviso que se seguem antes de efetuar tarefas de manutenção no produto.

- Retire a bateria antes de efetuar tarefas de manutenção, outras verificações, ou de montar o produto.
- O operador só pode efetuar as tarefas de manutenção e assistência descritas neste manual do utilizador. Contacte o seu revendedor com assistência técnica para tarefas de manutenção e assistência de maior extensão.
- Não limpe a bateria ou o carregador com água. Os detergentes fortes podem danificar o plástico.
- Se não proceder à manutenção, irá diminuir o ciclo de vida do produto e aumentar o risco de acidentes.
- É necessária formação especializada para todos os trabalhos de assistência e reparação, especialmente para os dispositivos de segurança do produto. Se, após efetuar tarefas de manutenção, nem todas as verificações deste manual forem aprovadas, contacte o seu revendedor com assistência técnica. Garantimos que existem reparações e assistência profissionais disponíveis para o seu produto.

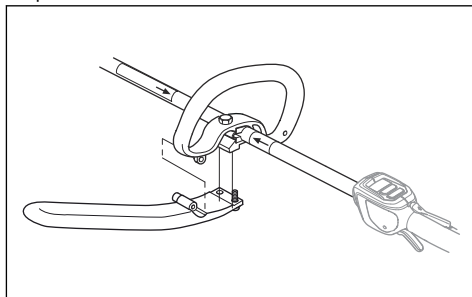
Montagem

Montar o punho em J



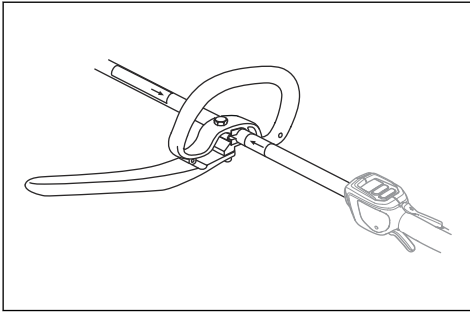
ATENÇÃO: O punho em J deve ser fixado ao punho fechado se pretender utilizar o produto com qualquer um dos acessórios de corte de metal recomendados.

1. Monte o punho em J no punho fechado com três parafusos.



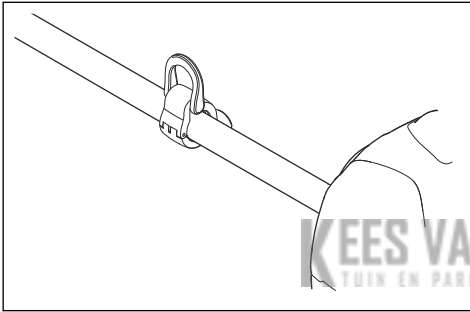
2. Ajuste o produto para que fique numa posição confortável.

3. Aperte os parafusos.



Instalar o gancho de suspensão da correia, se aplicável

1. Instale o gancho de suspensão da correia entre as setas do punho traseiro e o punho fechado.



Nota: Não coloque o punho fechado sobre o autocolante.

2. Ajuste o anel de forma a que o produto fique equilibrado e seja fácil de utilizar.

Para montar o equipamento de corte

O equipamento de corte inclui um equipamento de corte e uma proteção para o equipamento de corte.



ATENÇÃO: Utilize luvas de proteção.



ATENÇÃO: Utilize sempre a proteção do equipamento de corte recomendada para o equipamento de corte em causa. Consulte o capítulo *Especificações técnicas na página 137*.

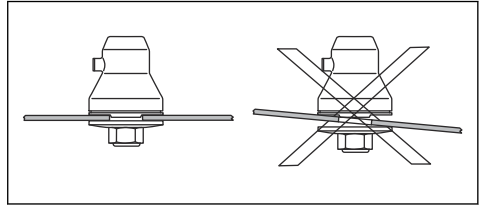


ATENÇÃO: Um equipamento de corte instalado incorretamente pode resultar em ferimentos ou morte.

Montagem das lâminas



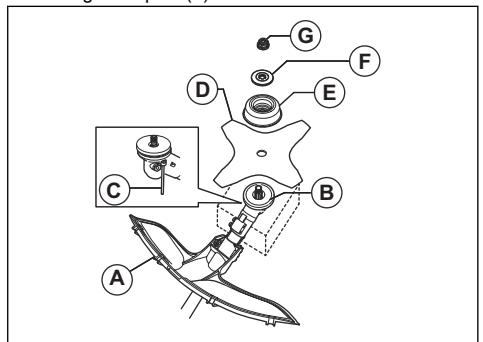
ATENÇÃO: Ao instalar o acessório de corte, é de extrema importância que a secção elevada do acionador/flange de apoio encaixe corretamente no orifício central do acessório de corte. Se o acessório de corte não estiver instalado corretamente, poderá originar ferimentos pessoais graves, com perigo de morte.



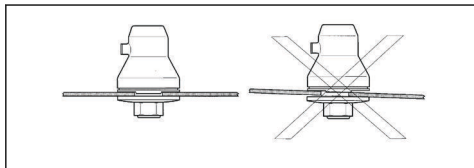
ATENÇÃO: Nunca utilize um acessório de corte sem que esteja montada uma proteção aprovada. Consulte o capítulo de Especificações Técnicas. Caso esteja montada uma proteção incorreta ou defeituosa, ou o punho em J esteja em falta ao utilizar o acessório de corte metálico, tal pode causar ferimentos pessoais graves.

Fixar a lâmina de relva

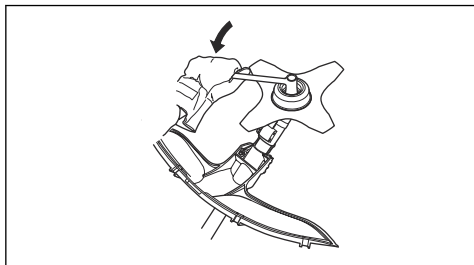
1. Coloque a engrenagem do produto numa superfície plana para se certificar de que a lâmina é corretamente montada.
2. Rode o eixo de saída até alinhar um dos orifícios do acionador (B) com o orifício correspondente na caixa de engrenagem.
3. Coloque o pino de bloqueio (C) no orifício para bloquear o eixo.
4. Coloque a lâmina de relva (D), o copo de apoio (E) e a flange de apoio (F) no eixo de saída.



5. Certifique-se de que o acionador e o flange de apoio se encaixam corretamente no orifício central da lâmina de relva.

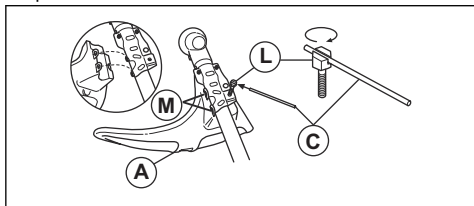


6. Instale a porca (G).
7. Aperte a porca com a chave de caixa. Mantenha o cabo da chave de caixa junto à proteção da lâmina. Aperte no sentido contrário ao da rotação do acessório de corte. Aperte com um binário de 35-50 Nm.



Fixar a proteção do aparador na cabeça do aparador

1. Pendure a proteção do aparador (A) nos dois ganchos no suporte da placa (M).
2. Dobre a proteção em torno do eixo e aperte-a com o parafuso (L) do lado oposto do eixo.
3. Coloque o pino de bloqueio (C) na ranhura da cabeça do parafuso e aperte o totalmente o parafuso.



Lâmina de relva

- Utilize lâminas afiadas corretamente. Uma lâmina mal afiada ou danificada aumenta o risco de ferimentos.
- Utilize a configuração correta para as lâminas. A configuração correta da lâmina é de 1 mm. Uma lâmina configurada incorretamente aumenta o risco de ferimentos e danos.
- Para afiar e definir corretamente a lâmina, consulte as instruções fornecidas com a lâmina.

Equilibrar o produto



ATENÇÃO: Utilize sempre a correia quando utilizar o produto. A correia proporciona o máximo controle do produto e reduz o risco de fadiga nos braços e nas costas.

- Pegue no suporte.
- Prenda o gancho de suspensão do produto à correia e mantenha o acessório de corte paralelo ao solo.
- O produto está equilibrado corretamente quando a lâmina está a uma altura de corte próxima do solo.



Funcionamento

Introdução



ATENÇÃO: Certifique-se de que lê e compreende o capítulo sobre segurança antes de usar o produto.

Ajustar a correia



ATENÇÃO: Fixe sempre este produto corretamente à correia. Caso contrário, não será possível controlar o produto de forma segura, o que pode resultar em ferimentos para o utilizador ou para terceiros. Não

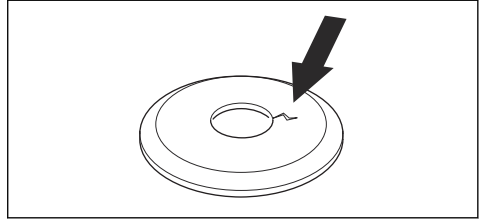
utilize uma correia com um mecanismo de desengate rápido defeituoso.

- Examine o flange de apoio quanto à existência de fissuras. Substitua o flange de apoio, caso esteja danificado.

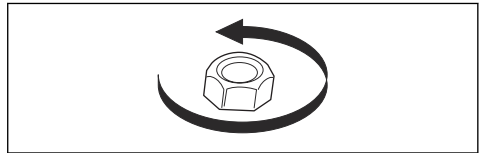


ATENÇÃO: Se ocorrer uma emergência, solte a correia e o produto e deixe-o cair para o chão.

1. Pegue no suporte.
2. Ajuste a correia para a melhor posição de trabalho.
3. Ajuste a correia até o acessório de corte ficar paralelo ao chão.



- Certifique-se de que a porca de fixação não pode ser retirada manualmente. Se conseguir retirá-la manualmente, é sinal de que não está a fixar bem o equipamento de corte e que é necessário substituí-la.



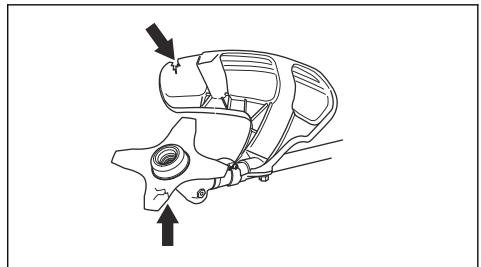
4. Se pretender cortar relva, apoie ligeiramente o acessório de corte no solo. Ajuste o grampo da correia para equilibrar corretamente o produto.
- Examine se a proteção da lâmina está danificada ou se apresenta fissuras. Substitua a proteção da lâmina se esta tiver sido atingida ou se tiver fissuras.
 - Examine a cabeça do aparador e a proteção do acessório de corte quanto a danos ou fissuras. Substitua a cabeça do aparador e a proteção do acessório de corte, caso tenham sido atingidos ou se tiverem fissuras.

Posições de trabalho

- Segure o produto com as 2 mãos.
- Mantenha o produto do lado direito do seu corpo.
- Tenha o equipamento de corte abaixo do nível da cintura.
- Mantenha o corpo afastado das superfícies quentes.
- Mantenha o corpo afastado do equipamento de corte.

Antes de utilizar o produto

- Examine a área de trabalho para se certificar de que conhece o tipo de terreno, a inclinação do solo e a existência de obstáculos como pedras, ramos e valas.
- Efetue uma inspeção de revisão do produto.
- Efetue as inspeções de segurança, manutenção e assistência fornecidas neste manual.
- Certifique-se de que todas as coberturas, proteções, punhos e equipamento de corte estão devidamente instalados e não estão danificados.
- Certifique-se de que não existem fissuras na parte inferior dos dentes da lâmina de relva ou no orifício central da lâmina. Substitua a lâmina, caso esteja danificada.

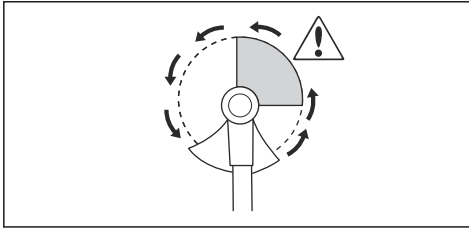


Arremesso da lâmina



ATENÇÃO: Um arremesso da lâmina é quando o produto se move para o lado rapidamente e com força. O arremesso da lâmina ocorre quando a lâmina de relva bate contra ou atinge um objeto que não pode ser cortado. O arremesso da lâmina pode projetar o produto ou o operador em todas as direções. Existem riscos de ferimento para o operador e terceiros. O risco aumenta em áreas onde não é fácil ver o material que tem de ser cortado. Não corte com a área da lâmina representada a cinzento na ilustração. A velocidade e o

movimento da lâmina podem provocar arremesso da lâmina. O risco aumenta quanto maior for a espessura do tronco que está a ser cortado.

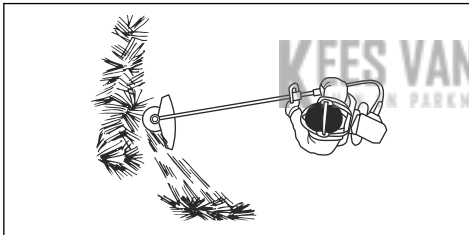


Desbastar relva com a lâmina de relva



CUIDADO: Não utilize lâminas de relva nem facas de jardineiro em madeira. Utilize lâminas de relva e facas de jardineiro apenas em relva densa.

- Mova o produto de um lado para o outro.
- Inicie o movimento da direita para a esquerda ao cortar. Mova o produto para a direita antes voltar a cortar.
- Corte com o lado esquerdo da lâmina de relva.



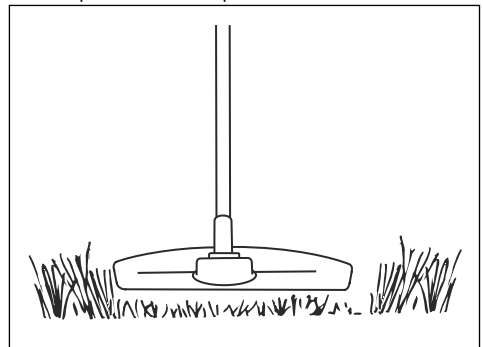
- Incline a lâmina de relva para a esquerda para que a relva caia em linha. Isto facilita a recolha da relva.
- Mantenha-se numa posição estável com os pés afastados.
- Desloque-se para a frente após cada movimento para a direita e certifique-se de que mantém uma posição estável antes de voltar a cortar.
- Mantenha o copo de apoio com uma ligeira pressão contra o solo para garantir que a lâmina de relva não atinge o solo.
- Respeite estas instruções para diminuir o risco de o material cortado se enredar na lâmina de relva:
 - a) Acelere ao máximo.
 - b) Não mova a lâmina de relva através do material cortado quando movimentar o produto da esquerda para a direita.
- Antes de recolher o material cortado, pare o motor e retire o produto da correia. Pouse o produto no solo.

Limpar a relva com uma lâmina de relva

1. As lâminas e as cortadoras de relva não podem ser utilizadas em caules lenhosos.
2. A lâmina de relva utiliza-se para todos os tipos de relva alta ou espessa.
3. A relva é cortada com um movimento pendular lateral, em que o movimento da direita para a esquerda é a fase de corte e o movimento da esquerda para a direita a fase de retorno. Deixe a lâmina trabalhar com o lado esquerdo (entre as posições correspondentes às 8 e 12 horas dos ponteiros do relógio).
4. Se inclinar a lâmina um pouco para a esquerda ao cortar, a relva acumula-se numa linha, facilitando a recolha, por ex. com o ancinho.
5. Procure trabalhar com ritmo. Apoie-se bem, com os pés afastados. Mova-se para a frente depois do movimento de retorno e volte a apoiar-se bem.
6. Deixe o copo de apoio tocar levemente no solo. Assim protege a lâmina contra o contacto com o solo.
7. Reduza o risco de o material se agarrar à lâmina, trabalhando sempre à velocidade máxima e evitando a relva já cortada no movimento de retorno.
8. Pare o motor, desaperte a correia e coloque a máquina no chão antes de recolher o material cortado.

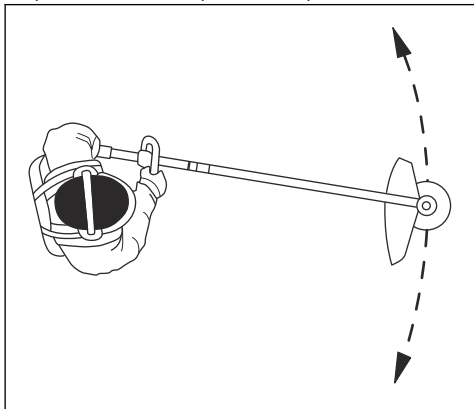
Cortar a relva

1. Certifique-se de que a linha do aparador de relva está paralela ao solo quando cortar.



2. Não empurre a cabeça do aparador para o solo. O solo e o produto podem ser danificados.
3. Não deixe a cabeça do aparador tocar no solo continuamente; pode causar danos à cabeça do aparador.

4. Utilize a velocidade máxima quando deslocar o produto de um lado para o outro para cortar a relva.



Certifique-se de que a linha do aparador de relva está paralela ao solo.

Para aparar a relva

O fluxo de ar do cabo do aparador rotativo pode ser utilizado para remover a relva cortada de uma área.

1. Mantenha a cabeça do aparador e respetivo cabo paralelos ao solo e acima do solo.
2. Aplique a velocidade máxima.
3. Mova a cabeça do aparador de um lado para o outro e apare a relva.



ATENÇÃO: Limpe a cobertura da cabeça do aparador sempre que instalar um novo cabo para evitar desequilíbrios e vibrações nos punhos. Efetue também uma verificação das outras peças da cabeça do aparador e limpe-as, se necessário.

Manutenção

Introdução



ATENÇÃO: Antes de efetuar qualquer tarefa de manutenção, tem de ler e compreender o capítulo sobre segurança.

Esquema de manutenção



ATENÇÃO: Retire a bateria antes de iniciar qualquer tarefa de manutenção.

A seguinte lista de tarefas de manutenção tem de ser realizada no produto.

| Manutenção | Diariamente | Semanalmente | Mensalmente |
|--|-------------|--------------|-------------|
| Limpe as peças externas do produto com um pano seco. Não utilize água. | X | | |
| Certifique-se de que o acessório de corte não está danificado. Substitua o acessório de corte, caso esteja danificado. | X | | |
| Certifique-se de que a proteção do acessório de corte não está danificada. Substitua a proteção do acessório de corte, caso esteja danificada. | X | | |
| Certifique-se de que os parafusos e as porcas estão apertados. | X | | |
| Verifique se a engrenagem cônica apresenta 3/4 do volume total de massa lubrificante. Ateste com massa lubrificante especial, se necessário. | | X | |

Para afiar a faca de jardineiro e a lâmina de relva

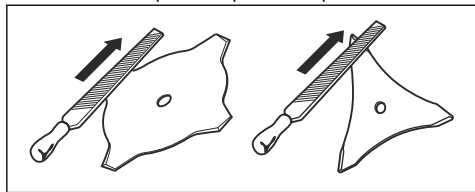


ATENÇÃO: Desligue o motor. Utilize luvas de proteção.

- Para afiar as facas de jardineiro ou lâminas de relva corretamente, consulte as instruções fornecidas com o equipamento de corte.

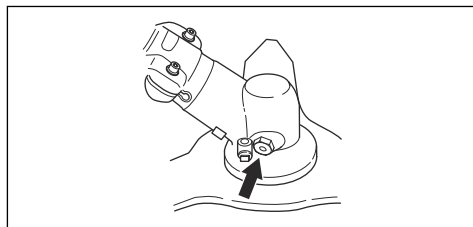
- Afie todas as extremidades da mesma forma para manter o equilíbrio.

- Use uma lima plana de picado simples.



ATENÇÃO: Deite sempre fora qualquer lâmina que esteja danificada. Não tente endireitar uma lâmina dobrada ou torcida para a utilizar novamente.

certifique-se de que o nível de massa lubrificante se mantém o mesmo. Utilize massa lubrificante especial da Husqvarna caso seja necessário encher o depósito. Não mude a massa lubrificante na engrenagem cônica. Deixe que a reparação da engrenagem cônica seja efetuada por técnicos de manutenção.



Engrenagem cônica

A engrenagem cônica é atestada na fábrica com $\frac{3}{4}$ do volume total de massa lubrificante. Antes da utilização,

Especificações técnicas

Especificações técnicas

| 325ILK + Acessório de roçadora BCA850 | |
|--|---------|
| Motor | |
| Velocidade do eixo de saída, 1/min ³⁷ | 5800 |
| Peso | |
| Peso, kg | 3,7+1,6 |
| Cortar | |
| Largura de corte, mm | Ø 255 |
| Emissões de ruído³⁸ | |
| Nível de potência sonora, dB(A) medidos | 95 |
| Nível de potência sonora, garantido L _{WA} dB (A) | 96 |
| Níveis sonoros³⁹ | |
| Nível de pressão sonora equivalente, ao nível do ouvido do operador, medido de acordo com a norma ISO 22868, dB (A): | |
| Equipado com cabeçote de recorte (original) | 82 |

³⁷ Rotações/minuto

³⁸ Emissões sonoras para as imediações, medidas sob forma de potência sonora (LWA) em conformidade com a diretiva 2000/14/CE. o nível de potência sonora registado para a máquina foi medido com o equipamento de corte original que debita o nível mais alto. A diferença entre a potência sonora garantida e medida é que a potência sonora garantida inclui também a dispersão no resultado da medição e as variações entre diferentes máquinas do mesmo modelo, de acordo com a diretiva 2000/14/CE.

³⁹ Os dados comunicados relativamente ao nível de pressão sonora para a máquina têm uma dispersão estatística típica (desvio padrão) de 3 dB (A) e foram medidos com o acessório original que debita o nível mais alto.

| | |
|--|---------|
| 325iLK + Acessório de roçadora BCA850 | |
| Níveis de vibração⁴⁰ | |
| Níveis de vibração nos punhos, medidos de acordo com a norma ISO 22867, m/s ² | |
| Equipado com lâmina do aparador (original), esquerda/direita | 3,3/1,5 |

Acessórios

Acessórios

| Acessórios aprovados com o acessório BCA850 | Tipo de acessório | Proteção para acessório de corte, n.º de peça |
|--|---|--|
| Passo de rosca do eixo da lâmina, M10 | | |
| Orifício central nas lâminas/cortadoras Ø 25,4 mm | | |
| Lâmina de relva/cortadora de relva | Lâmina de relva 255-4 1" (Ø 255 4 dentes) | 588 11 79-01 |

KEES VAN DER SPEK
TUIN EN PARKMACHINES ★ TER AAR

⁴⁰ Os dados comunicados relativamente ao nível de vibração têm uma dispersão estatística típica (desvio padrão) de 2 m/s². Para comparar os níveis de vibrações de produtos a bateria e de combustão, utilize a calculadora de vibrações. <https://www.husqvarna.com/pt/servicos-solucoes/calculadora-vibracoes/>.

Declaração CE de conformidade

Declaração de conformidade CE

A Husqvarna AB, SE-561 82 Huskvarna, Sweden, tel: +46-36-146500, declara que o acessório da roçadora Husqvarna BCA850, com números de série de 2019 e posteriores (o ano é claramente indicado na etiqueta de tipo, seguido do número de série), juntamente com a cabeça motora 325iLK, cumpre as disposições constantes na DIRETIVA DO CONSELHO:

- de 17 de maio de 2006, "referente a máquinas" **2006/42/CE**.
- de 26 de fevereiro de 2014, "referente à compatibilidade eletromagnética", **2014/30/UE**.
- de 8 de maio de 2000, "referente a emissões de ruído para o ambiente" **2000/14/CE**.
- de 8 de junho de 2011, referente à "restrição do uso de determinadas substâncias perigosas em equipamento elétrico e eletrônico" **2011/65/UE**

Foram respeitadas as seguintes normas: IEC 62841-1:2014, EN ISO 11806-1:2011, EN 50581:2012

A RISE SMP Svensk Maskinprovning AB, Box 7035, SE-750 07 Uppsala, Sweden, Box 7035, SE-750 07 Uppsala, Sweden, executou um exame CE de tipo, em conformidade com a diretiva de máquinas (2006/42/CE) artigo 12, ponto 3b. O certificado tem o número:

A RISE SMP Svensk Maskinprovning AB também verificou a conformidade com o anexo V da Diretiva do Conselho 2000/14/CE. O certificado tem o número: 01/1610/010

Para mais informações sobre as emissões sonoras, consulte *Especificações técnicas na página 137*.

Huskvarna



Pär Gustafsson, Chefe de Desenvolvimento
(representante autorizado da Husqvarna AB e responsável pela documentação técnica).

Innehåll

| | | | |
|-------------------|-----|---------------------------------------|-----|
| Introduktion..... | 140 | Underhåll..... | 149 |
| Säkerhet..... | 141 | Tekniska data..... | 150 |
| Montering..... | 145 | Tillbehör..... | 151 |
| Drift..... | 147 | EG-försäkran om överensstämmelse..... | 152 |

Introduktion

Produktbeskrivning

Vi arbetar ständigt med att vidareutveckla våra produkter och förbehåller oss därför rätten till ändringar beträffande bl.a. produkternas form och utseende utan föregående meddelande.

Notera: Den här handboken gäller för batteridrivna kraftaggregat.

är avsett för. Mer information finns i avsnittet om tillbehör i användarhandboken för produkten.

Det här är en buskröjare för att klippa olika typer av vegetation. Använd inte produkten för andra uppgifter än grästrimning och gräsröjning. Använd en gräsklinga till att skära grovt gräs.

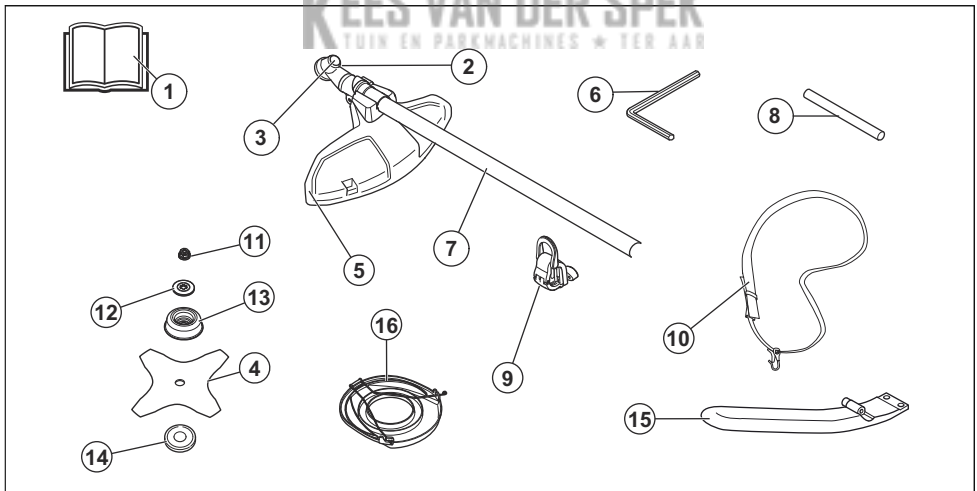
Notera: Nationella eller lokala föreskrifter kan reglera användningen. Följ givna föreskrifter.

Avsedd användning



VARNING: Det här tillbehöret får endast användas tillsammans med den produkt det

Produktöversikt



1. Bruksanvisning
2. Vinkelväxel
3. Hål för låspinne
4. Gräsklinga
5. Trimmerhuvudets skydd
6. 4 mm-insexnyckel
7. Riggrör
8. Låspinne
9. Upphängningskrok för sele
10. Inredning
11. Låsmutter
12. Stödfläns
13. Stödkopp
14. Medbringare

15. J-handtag

16. Transportskydd

Symboler på produkten



WARNING! Vårdslös eller felaktig användning av tillbehöret kan resultera i allvarliga eller livshotande skador på användaren eller andra.



Använd skyddshjälm på platser där föremål kan falla ner. Använd godkända hörselskydd. Använd godkänt ögonskydd.



Maximalt varvtal för utgående axel.



Håll alla delar av din kropp borta från de heta ytorna.



Föremål kan slungas ut från enheten, vilket kan orsaka skador.



Risk för kast om skärutrustningen kommer i kontakt med ett föremål som det inte omedelbart skär av. Produkten kan skära av kroppsdelar. Håll ett avstånd på minst 15 m till personer och djur när du använder produkten.



Använd godkända skyddshandskar.



Använd kraftiga halksäkra kängor.



Användaren ska se till att inga människor eller djur kommer närmare än 15 meter. Om flera användare arbetar på samma ställe ska säkerhetsavståndet vara minst 15 meter. Utrustningen kan våldsamt kasta iväg föremål som kan studsas tillbaka. Om inte rekommenderad säkerhetsutrustning används kan det leda till allvarliga ögonskador.



Bulleremissioner till omgivningen enligt Europeiska Gemenskapens direktiv. Emissionen för tillbehöret är angiven i avsnittet Tekniska data och på etiketten.



yyyywwxxxx

Typskylten visar serienumret. **yyyy** är produktionsåret, **ww** är produktionsveckan och **xxxx** är löpnumret.

Notera: Övriga symboler/dekaler på produkten avser specifika krav för certifieringar på andra kommersiella marknader.

Tillverkare

Husvarna AB

Drottninggatan 2, SE-561 82 Husvarna, Sweden, tel: +46-36-146500

Säkerhet

Säkerhetsdefinitioner

Varningar, försiktighetsåtgärder och anmärkningar används för att betona speciellt viktiga delar i bruksanvisningen.



WARNING: Används om det finns risk för skador eller dödsfall för föraren eller kringstående om anvisningarna i bruksanvisningen inte följs.



OBSERVERA: Används om det finns risk för skada på produkten, annat material eller det angränsande området om anvisningarna i bruksanvisningen inte följs.

Notera: Används för att ge mer information som är nödvändig i en viss situation.

Allmänna säkerhetsvarningar för elverktyg



WARNING: Gå igenom alla säkerhetsvarningar, instruktioner, illustrationer och specifikationer som medföljer det här elverktyget. Om du inte följer instruktionerna nedan kan det leda till elektriska stötar, brand och/eller allvarliga skador.

Notera: Spara alla varningar och instruktioner som referens. I varningarna syftar termen "elverktyg" på ett verktyg som antingen är anslutet till nätspänningen (med sladd) eller drivs av batteri (sladdlöst).

Annan allmän säkerhetsinformation

- Vid förflyttning till annat område ska produkten inaktiveras. Ta alltid ur batteriet när produkten lämnas över till en annan person.
- Ställ aldrig ner produkten om du inte har inaktiverat den och tagit ur batteriet. Lämna inte produkten utan uppsikt när den är påslagen.
- Skärverktyget stannar inte omedelbart efter att produkten stängs av.
- Klingan ska ha stannat helt när brytarreglaget har återgått till det ursprungliga läget.
- När produkten har utsatts för stötar reparerar du eventuellt slitage och skador innan du använder den.
- Om någonting fastnar i skärutrustningen när du använder produkten ska du stänga av och inaktivera produkten. Se till att skärutrustningen stannar helt. Ta ur batteriet innan du rengör, kontrollerar eller reparerar produkten och skärutrustningen.
- Kontrollera produkten före användning. Se *Produktöversikt på sida 140* och *Kontrollera skärutrustningens skydd på sida 144*. Använd inte en defekt produkt. Utför de säkerhets-, underhålls- och serviceinstruktioner som beskrivs i denna bruksanvisning.
- En felaktig skärutrustning kan öka risken för olyckor.
- Kontrollera växeln med avseende på smuts och sprickor. Gör växeln ren från gräs och löv med hjälp av en borste. Handskar ska användas när det behövs.
- Se alltid till att ventilationsöppningarna är fria från skräp.
- Kontrollera att trimmerhuvudet sitter fast ordentligt på trimmern.
- Samtliga kåpor, skydd och handtag måste vara monterade före start.
- Kontrollera produkten så att den är i fullgott skick. Kontrollera att alla muttrar och skruvar är åtdragna.
- Kontrollera trimmerhuvudet och trimmerskyddet så att de är oskadade och fria från sprickbildning. Byt trimmerhuvud eller trimmerskydd om det har utsatts för slag eller har sprickor. Använd alltid rekommenderat skydd för den specifika skärutrustningen. Se kapitlet om Tekniska data.
- Denna produkt är ett farligt verktyg om du inte är försiktig eller om du använder produkten felaktigt. Den här produkten kan orsaka allvarlig eller livshotande skada för användaren och andra.
- Apparaten är inte avsedd för användning av personer (inklusive barn) med olika funktionshinder eller bristande erfarenhet och kunskap. De får endast använda apparaten under uppsikt eller om de får instruktioner om användning av apparaten av en person som ansvarar för deras säkerhet. Barn ska

övervakas för att garantera att de inte leker med apparaten.

- Tillåt aldrig barn att använda eller vara i närheten av maskinen. Eftersom maskinen är lätt att starta kan barn starta den om de inte hålls under uppsikt. Detta kan innebära risk för allvarlig personskada. Avlägsna därför alltid batteriet när maskinen inte är under uppsikt.
- Låt aldrig barn eller andra personer som inte utbildats i handhavande av produkten och/eller batteriet använda eller underhålla den.
- Nationella eller lokala föreskrifter kan reglera användningen. Följ givna föreskrifter.
- Förvara utrustningen i ett låsbart utrymme så att den är oåtkomlig för barn och obehöriga.
- Transportskyddet ska alltid användas vid förvaring och transport.
- Säkra produkten under transporter.
- Håll händer och fötter borta från skärområdet, särskilt när du slår på motorn.
- Håll händer och fötter borta från skärutrustningen tills den har stannat helt när produkten är avaktiverad.
- Ta inte bort klippt material, och låt inte andra personer ta bort klippt material, medan produkten är aktiverad eller skärutrustningen roterar eftersom detta kan orsaka allvarliga personsador.
- Kom ihåg att det är du som användare som ansvarar för att inte utsätta människor eller deras egendom för olyckor eller faror.
- Enhetens ursprungliga utformning får inte under några omständigheter ändras utan tillstånd från tillverkaren. Använd alltid originaltillbehör. Icke godkända ändringar och/eller tillbehör kan medföra allvarliga personsador eller dödsfall för användaren eller andra. Garantin kanske inte omfattar skador som orsakas av användning av icke godkända tillbehör eller reservdelar.
- De enda tillbehör du får använda produkten som drivkälla till är den skärutrustning som rekommenderas i kapitlet "Tekniska data".
- Använd aldrig en produkt som modifierats så att den ej längre överensstämmer med originalutförandet
- Använd aldrig en produkt som är defekt. Följ säkerhets-, underhålls- och serviceinstruktioner i denna bruksanvisning. Vissa underhålls- och serviceåtgärder ska utföras av utbildade och kvalificerade specialister. Se anvisningar under rubriken Underhåll.
- Arbete i dåligt väder är tröttsamt och kan öka riskerna. Vi rekommenderar inte att produkten används i mycket dåligt väder, till exempel vid tät dimma, kraftigt regn, kraftig vind, extrem kyla eller risk för åskväder osv. eftersom det innebär ökade risker
- Arbeta aldrig från en stege eller pall eller annan upphöjd position som inte är väl förankrad.
- Förvara apparaten under tak när den inte används – När enheten inte används ska den förvaras inomhus

- Det är omöjligt att täcka alla tänkbara situationer du kan ställas inför. Var alltid försiktig och använd sunt förnuft. Undvik situationer som du anser dig otillräckligt kvalificerad för. Om du efter att ha läst dessa instruktioner fortfarande känner dig osäker angående tillvägagångssätt ska du rådfråga en expert innan du fortsätter.
- Se till att inga människor eller djur kommer närmare än 15 meter under arbetets gång. När flera användare arbetar på samma område ska säkerhetsavståndet vara minst 15 meter. Annars finns det risk för allvarlig personskada. Stäng omedelbart av produkten om någon närmar sig arbetsplatsen. Sväng aldrig runt med produkten utan att först kontrollera bakåt att ingen befinner sig inom säkerhetszonen.
- Om någonting fastnar i skärutrustningen när du använder produkten ska du stänga av och inaktivera produkten. Se till att skärutrustningen stannar helt. Ta ur batteriet innan du rengör, kontrollerar eller reparerar produkten och skärutrustningen.
- Se till att människor, djur eller annat inte påverkar din kontroll över produkten och att de inte kommer i kontakt med skärutrustningen eller lösa föremål som slungas iväg av skärutrustningen. Använd aldrig produkten utan möjlighet att kunna påkalla hjälp i händelse av olycka.
- Se till att du kan gå och stå säkert. Titta efter eventuella hinder vid en oväntad förflyttning (rötter, stenar, grenar, gropar, diken osv.). Iaktta stor försiktighet vid arbete i sluttande terräng.
- Gå – spring aldrig.
- Inspektera arbetsområdet. Avlägsna alla lösa föremål, så som stenar, krossat glas, spikar, ståltråd, snören med mera, som kan slungas iväg eller sno in sig i kniv eller knivskydd.
- Se upp för greppbitar som kan slungas iväg när du klipper. Klipp inte för nära marken där stenar eller andra lösa föremål kan slungas iväg.
- Se till att inga kläder eller kroppsdelar kommer i kontakt med skärutrustningen när produkten används. Håll produkten under midjenivå.
- Varning för utslungade föremål. Godkända ögonskydd ska alltid användas. Luta dig aldrig över skärutrustningens skydd. Stenar, skräp m.m. kan kastas upp i ögonen och vålla blindhet eller allvariga skador.
- Var alltid uppmärksam på varningssignaler eller tillrop när hörselskydd används. Ta alltid av hörselskydden så snart du stängt av produkten.
- Om oönskade vibrationer uppstår matar du ut en ny tråd med rätt längd för att häva vibrationerna.
- Om produkten börjar vibrera onormalt mycket ska du stanna produkten och ta ur batteriet.
- Överexponering av vibrationer kan leda till blodkärls- eller nervskador hos personer som har dålig blodcirkulation. Prata med läkare om du upplever kroppsliga symptom som kan relateras till överexponering av vibrationer. Exempel på sådana symptom är domningar, avsaknad av känsel,

"kittlingar", "stickningar", smärta, avsaknad eller reducering av normal styrka, förändringar i hudens färg eller dess tillstånd. Dessa symptom uppträder vanligtvis i fingrar, händer eller handleder.

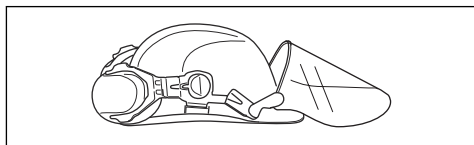
- Håll alltid produkten med båda händerna. Håll produkten på höger sida av kroppen.

Personlig skyddsutrustning

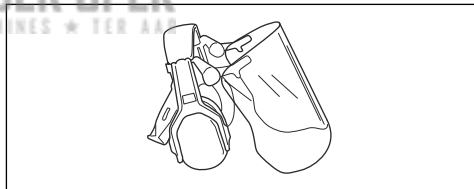


WARNING: Läs varningsinstruktionerna nedan innan du använder produkten.

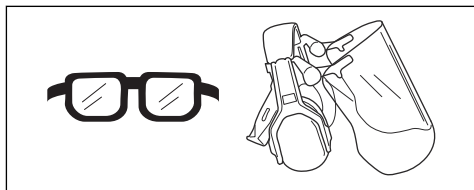
- Använd alltid godkänd personlig skyddsutrustning när du använder produkten. Personlig skyddsutrustning kan inte eliminera skaderisken helt, men den reducerar effekten av en skada vid ett eventuellt olyckstillbud. Be din återförsäljare om hjälp med att välja rätt utrustning.
- Använd skyddshjälm där det finns risk för fallande föremål.



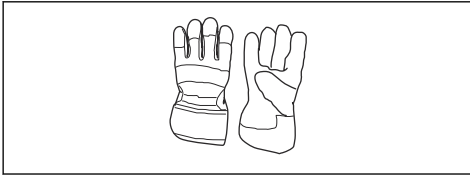
- Använd godkända hörselskydd med tillräcklig dämpningseffekt. Långvarig exponering för buller kan ge bestående hörselskador.



- Använd godkänt ögonskydd. Används visir måste även godkända skyddsglasögon användas. Godkända skyddsglasögon måste uppfylla standarden ANSI Z87.1 i USA och SS-EN 166 i EU-länder.



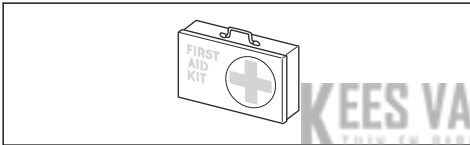
- Använd handskar vid behov, till exempel när du ansluter, undersöker eller rengör skärutrustningen.



- Använd halkfria och stadiga stövlar.



- Ha på dig kläder i slitstarkt material. Bär alltid kraftiga långbyxor och överdel med långa ärmar. Använd inte löst sittande kläder som kan fastna i kvistar och grenar. Bär inte smycken, kortbyxor eller sandaler och gå inte barfota. Sätt upp håret ordentligt så att det inte hänger nedanför axlarna.
- Ha första förband nära till hands.



Säkerhetsanordningar på produkten



WARNING: Läs varningsinstruktionerna nedan innan du använder produkten.

I detta avsnitt beskrivs produktens säkerhetsfunktioner, dess syfte samt hur kontroller och underhåll ska utföras för att säkerställa att den fungerar korrekt. Se anvisningarna under rubriken *Introduktion på sida 140* för att få reda på var dessa delar är placerade på produkten.

Produktens livslängd kan förkortas och risken för olyckor kan öka om underhåll av produkten inte utförs på rätt sätt och om service och/eller reparationer inte utförs av specialutbildade tekniker. Kontakta din serviceverkstad om du behöver ytterligare information.



WARNING: Använd aldrig en produkt med defekta säkerhetskomponenter. Produktens säkerhetsutrustning ska kontrolleras och underhållas som beskrivs i detta avsnitt. Om din produkt inte klarar alla kontrollerna ska serviceverkstad uppsökas för reparation.



OBSERVERA: All service och reparation av maskinen kräver specialutbildning. Detta gäller särskilt maskinens säkerhetsutrustning. Om maskinen inte klarar någon av nedan listade kontroller ska du uppsöka din serviceverkstad. Ett köp av någon av våra produkter garanterar att du kan få en fackmannamässig reparation och service utförd. Om inköpsstället för maskinen inte är en av våra servande fackhandlare, fråga dem efter närmaste serviceverkstad.

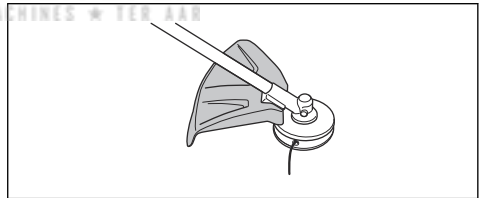
Kontrollera skärutrustningens skydd



WARNING: Använd inte skärutrustningen utan ett godkänt skydd som monterats korrekt på skärutrustningen. Använd alltid det rekommenderade skärutrustningsskyddet för den skärutrustning som du använder. Se *Tillbehör på sida 151*. Om fel eller defekt skydd för skärutrustningen monteras, kan detta orsaka allvarlig personskada.

Skärutrustningens skydd stoppar föremål som slungas ut mot användaren. Det förhindrar även skador som skulle inträffa om du vidrör skärutrustningen.

1. Stanna motorn.
2. Kontrollera visuellt om det finns skador, till exempel sprickor.



3. Byt ut skärutrustningen om den är skadad.

Säkerhetsinstruktioner för montering



WARNING: Läs, förstå och följ dessa anvisningar noggrant innan du använder produkten.

- Ta bort batteriet från produkten innan du monterar produkten.
- Använd godkända skyddshandskar.
- Ett defekt eller felaktigt skydd kan orsaka skador. Använd inte någon skärutrustning som inte har ett godkänt skydd monterat.
- Se till att du har monterat kåpan och riggröret korrekt innan du startar produkten.
- Medbringarhuslet och stödfliänsen måste passas in korrekt i skärutrustningens centrumhål.

Skärutrustning som ansluts på fel sätt kan orsaka skador eller dödsfall.

- För att använda produkten på ett säkert sätt och undvika att skada användaren eller andra personer måste produkten alltid vara korrekt fäst i selen.

Säkerhetsinstruktioner för underhåll



WARNING: Läs varningsinstruktionerna nedan innan du utför underhåll på produkten.

- Ta ur batteriet innan du utför underhåll, övriga kontroller eller monterar produkten.
- Användaren får endast utföra underhålls- och servicearbeten som beskrivs i denna bruksanvisning.

Vänd dig till en serviceverkstad för underhåll och service av större omfattning.

- Rengör inte batteriet eller batteriladdaren med vatten. Starka rengöringsmedel kan orsaka skador på plasten.
- Om du inte utför underhåll minskar produktens livscykel och risken för olyckor ökar.
- Särskild utbildning krävs för allt service- och reparationsarbete, särskilt för produktens säkerhetsanordningar. Om inte alla kontroller i den här bruksanvisningen är godkända efter att du gjort underhåll ska du kontakta din serviceverkstad. Vi garanterar att det finns professionella reparationer och service tillgängliga för din produkt.

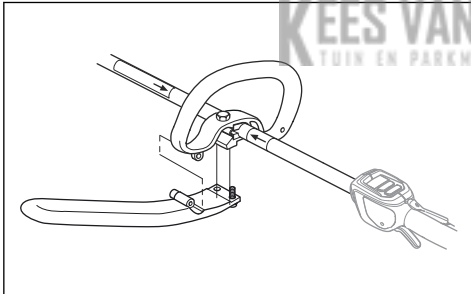
Montering

Montera J-handtaget

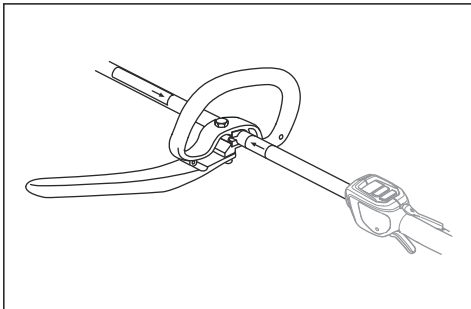


WARNING: Om du tänker använda produkten med någon del av den rekommenderade metallskärutrustningen måste du montera J-handtaget på loophandtaget.

1. Montera J-handtaget på loophandtaget med hjälp av de tre skruvarna.

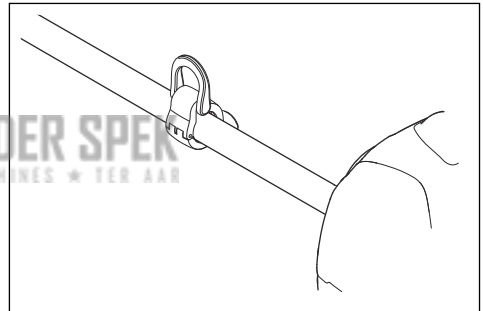


2. Ställ in produkten i ett bekvämt läge.
3. Dra åt skruvarna.



Montera upphängningskroken för selen (om tillämpligt)

1. Montera upphängningskroken för selen mellan pilarna på det bakre handtaget och loophandtaget.



Notera: Placera inte loophandtaget på dekalen.

2. Justera ringen så att produkten är balanserad och enkel att använda.

Montera skärutrustningen

Skärutrustningen inkluderar själva skärutrustningen och ett skydd till skärutrustningen.



WARNING: Använd skyddshandskar.



WARNING: Använd alltid ett rekommenderat skydd till skärutrustningen. Se *Tekniska data på sida 150*.

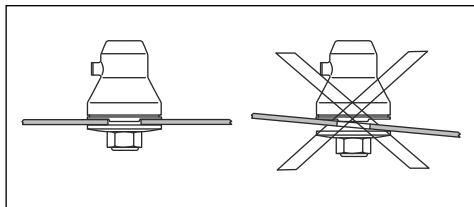


WARNING: En felaktigt ansluten skärutrustning kan resultera i personskada eller dödsfall.

Montera knivarna



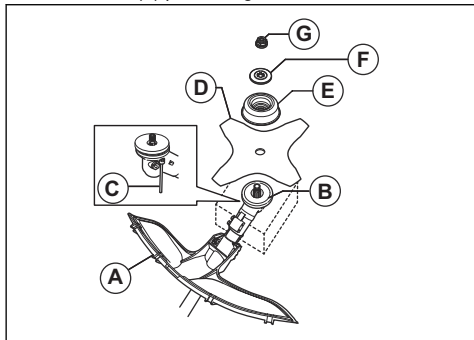
VARNING: När du monterar skärutrustning är det ytterst viktigt att den upphöjda delen på medbringarghjulet/stödfliänsen hamnar rätt i skärutrustningens centrumhål. Felaktigt monterad skärutrustning kan orsaka allvarlig och/eller livshotande personskada.



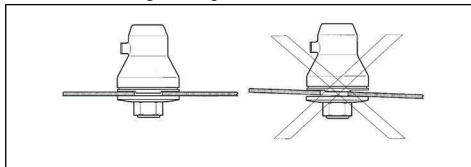
VARNING: Under inga omständigheter får du använda skärutrustning utan något monterat godkänt skydd. Se kapitlet "Tekniska data". Om du monterar fel skydd, om det är fel på skydden eller om J-handtaget saknas när du använder metallskärutrustning kan det orsaka allvarliga personskador.

Montera gräsklingan

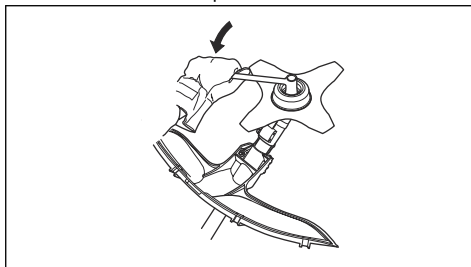
1. Lägg produktens växel på ett plant underlag för att kontrollera att klingan är korrekt monterad.
2. Vrid den utgående axeln tills ett av hålen i medbringarghjulet (B) är mitt för motsvarande hål i växelhuset.
3. För in låspinnen (C) i hålet så att riggröret låses.
4. Placera gräsklingan (D), stödkoppen (E) och stödfliänsen (F) på den utgående axeln.



5. Kontrollera att medbringarghjulet och stödfliänsen hamnar rätt i gräsklingans centrumhål.

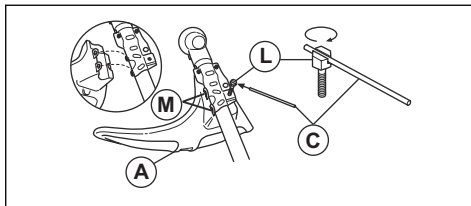


6. Sätt dit muttern (G).
7. Dra åt muttern med tändstiftshylsan. Håll tändstiftshylsans skaft nära klingskyddet. Dra åt i motsatt riktning mot hur skärutrustningen roterar. Dra åt till ett moment på 35–50 Nm.



Montera trimmerskyddet för ett trimmerhuvud

1. Haka på trimmerskyddet (A) på de två krokarna på plåthållaren (M).
2. Vik skyddet runt riggröret och sätt fast det med en bult (L) på motsatt sida av riggröret.
3. Sätt låspinnen (C) i spåret på skruvhuvudet och dra åt helt.



Gräsklinga

- Använd korrekt filade klingor. En felaktigt filad eller skadad klinga ökar risken för skador.
- Använd korrekt inställda klingor. Korrekt inställning av klinga är 1 mm. En felinställd klinga ökar risken för personskador och skador.
- För att fila och ställa in klingan ska du läsa anvisningarna som medföljer klingan.

Balansera produkten



VARNING: Använd alltid selen när du använder produkten. Selen ger dig maximal kontroll över produkten och minskar risken för att du blir trött i armarna och ryggen.

- Sätt på dig selen.
- Fäst selen i upphängningskroken på produkten och håll skärutrustningen parallellt med marken.

- Produkten har rätt balans när klingan är vid klipphöjd nära marken.



Drift

Introduktion



WARNING: Läs och förstå säkerhetskapitlet innan du använder produkten.

Justera selen



WARNING: Fäst alltid denna produkt rätt på selen. Om inte, kan du inte styra produkten säkert och det kan orsaka skada på dig eller andra. Använd inte en sele med trasig snabbtöslösning.



WARNING: Om det uppstår en nödsituation släpper du selen och produkten och låter dem falla till marken.

1. Sätt på dig selen.
2. Justera selen för att få bästa arbetsställning.
3. Justera selen så att skärutrustningen blir parallell med marken.



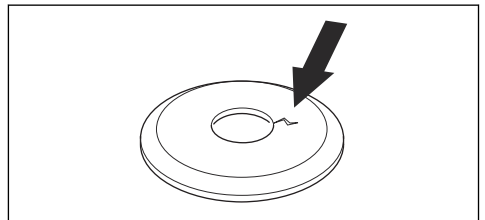
4. Om arbetet går ut på att klippa gräs bör skärutrustningen nudda lätt mot marken. Justera selfästet för att balansera produkten på rätt sätt.

Arbetsläge

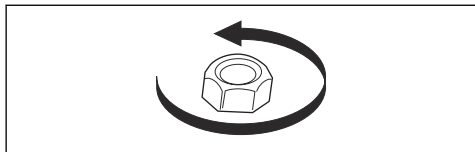
- Håll produkten med båda händerna.
- Håll produkten på höger sida av kroppen.
- Håll skärutrustningen under midjenivå.
- Håll alla kroppsdelar borta från varma ytor.
- Håll alla kroppsdelar borta från skärutrustningen.

Innan du använder produkten

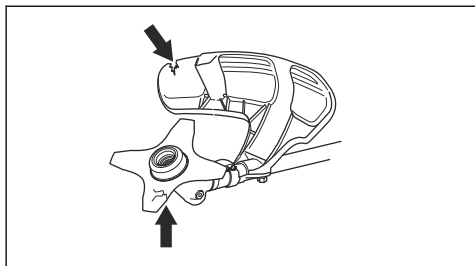
- Undersök arbetsområdet för att se till att du känner till terrängtypen, markens lutning och om det finns hinder som stenar, grenar och gropar.
- Gör en övergripande kontroll av produkten.
- Utför säkerhetsinspektioner, underhåll och service enligt den här bruksanvisningen.
- Se till att alla kåpor, skydd, handtag och skärutrustning är korrekt anslutna och inte skadade.
- Kontrollera att det inte finns sprickor längst ut på tändarna på gräsklingan eller vid klingans centrumhål. Byt ut klingan om den är skadad.
- Kontrollera om stödflänsen har sprickor. Byt ut stödflänsen om den är skadad.



- Se till att låsmuttern inte kan tas bort för hand. Om du kan ta bort den med handen låser den inte skärutrustningen tillräckligt väl och måste ersättas.



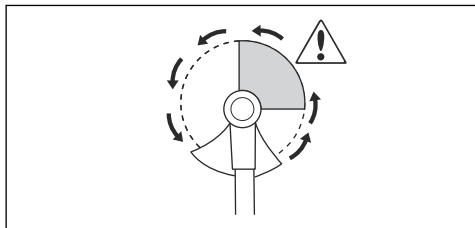
- Kontrollera om klingskyddet är skadat eller har sprickor. Byt ut klingskyddet om det har träffats av något eller om det har sprickor.
- Undersök om trimmerhuvudet och skärutrustningens skydd har skador eller sprickor. Byt ut trimmerhuvudet och skärutrustningens skydd om de har träffats av något eller om de har sprickor.



Kast



WARNING: Ett kast är när produkten rör sig snabbt och kraftfullt åt sidan. Ett kast inträffar när gräsklingan träffar eller fastnar i ett föremål som inte kan klippas. Ett kast kan slunga ut produkten eller användaren i alla riktningar. Det finns risk för skador på användaren och människor runt omkring. Risken ökar i områden där det är svårt att se det material som ska kapas. Skär inte med det område på klingan som visas i grått på bilden. Klingans hastighet och rörelse kan orsaka kast. Risken ökar med tjockleken på den stam som kapas.

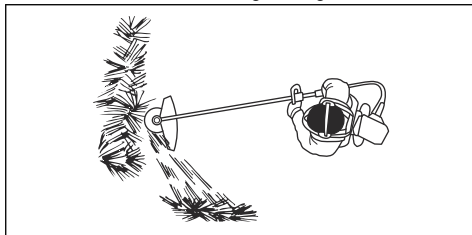


Gräsröjning med gräsklinga



OBSERVERA: Använd inte gräsklingor och gräsknivar på trä. Använd enbart gräsklingor och gräsknivar för långt eller kraftigt gräs.

- För produkten från sida till sida.
- Starta rörelsen från höger till vänster när du klipper. För produkten till höger innan du skär igen.
- Skär med vänster sida av gräsklingan.



- Luta gräsklingan till vänster för att få gräset att falla i en rad. Det gör det lättare att samla ihop gräset.
- Stå stadigt med fötterna isär.
- Flytta dig framåt efter varje rörelse åt höger och se till att du står stadigt innan du skär igen.
- Håll stödkoppen med ett lätt tryck mot marken för att se till att gräsklingan inte slår i marken.
- Följ dessa anvisningar för att minska risken för att klippt materialet lindas runt gräsklingan:
 - a) Ge fullgas.
 - b) Flytta inte gräsklingan genom klippt material när du för produkten från vänster till höger.
- Innan du samlar in klippt material ska du stanna motorn och ta bort produkten från selen. Ställ produkten på marken.

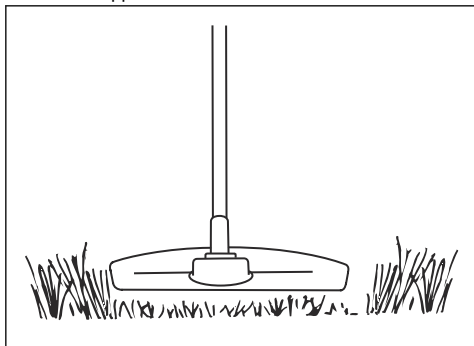
Avlägsna gräs med en gräsklinga

1. Gräsklingor och gräsknivar får ej användas till vedartade stammar.
2. För alla typer av högt eller kraftigt gräs används gräsklinga.
3. Gräs mejas ned med pendlande rörelse i sidled, där rörelse från höger till vänster är röjningsmomentet och rörelse från vänster till höger är retrurrörelse. Låt klingan arbeta med vänstra sidan (mellan klockan 8 och 12).
4. Om klingan lutar något åt vänster vid gräsröjning, samlas gräset i en sträng som underlättar uppsamling vid t ex krattning.
5. Sträva efter att arbeta rytmiskt. Stå stadigt med fötterna isär. Flytta framåt efter retrurrörelsen och ställ dig stadigt igen.
6. Låt stödkoppen ligga an lätt mot marken. Den är till för att skydda klingan från markansättning.

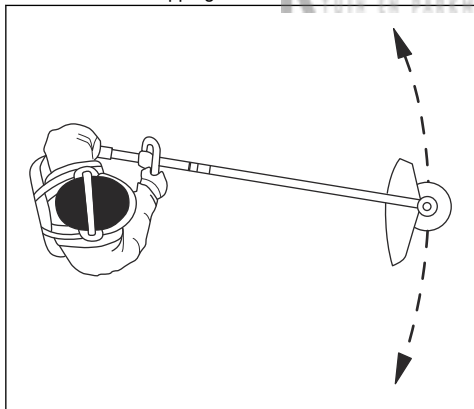
7. Minska risken för att material ska lindas runt klingan genom att alltid arbeta med fullt varvtal och undvika det redan skurna materialet under returrörelsen.
8. Stanna motorn, lossa selen och placera maskinen på marken innan du samlar ihop det kapade materialet.

Klippa gräset

1. Se till att grästrimmerlinan är parallell med marken när du klipper.



2. Tryck inte ned trimmerhuvudet mot marken. Marken och produkten kan skadas.
3. Låt inte trimmerhuvudet vidröra marken oavbrutet, det kan orsaka skador på trimmerhuvudet.
4. Använd fullt varvtal när du flyttar produkten från sida till sida för att klippa gräs.



Se till att grästrimmerlinan är parallell med marken.

Sopa gräset

Luftflödet från den roterande trimmerlinan kan användas för att ta bort klippt gräs från ett område.

1. Håll trimmerhuvudet och dess sladd parallellt mot och ovanför marken.
2. Applicera fullt varvtal.
3. För trimmerhuvudet från sida till sida och sopa bort gräset.



WARNING: Rengör trimmerhuvudets kåpa varje gång du monterar en nya trimmerlina för att förhindra obalans och vibrationer i handtagen. Gör även en kontroll av andra delar av trimmerhuvudet och rengör det vid behov.

Underhåll

Introduktion



WARNING: Innan du utför något underhållsarbete måste du läsa och förstå kapitlet om säkerhet.

Underhållsschema



WARNING: Ta bort batteriet innan du utför underhåll.

Nedan följer en lista över de underhållssteg som ska utföras på produkten.

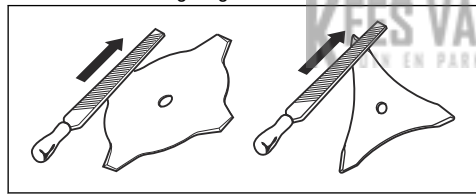
| Underhåll | Dagligen | Varje vecka | Varje månad |
|---|----------|-------------|-------------|
| Rengör produktens yttre delar med en torr trasa. Använd inte vatten. | X | | |
| Se till att skärutrustningen inte är skadad. Byt ut skärutrustningen om den är skadad. | X | | |
| Se till att skärutrustningens skydd inte är skadad. Byt ut skärutrustningen om den är skadad. | X | | |
| Se till att skruvar och muttrar är åtdragna. | X | | |
| Kontrollera att vinkelväxeln är fylld till 3/4 med smörjmedel. Fyll på med specialfett om det behövs. | | X | |

Fila gräskniven och gräsklingan



WARNING: Stoppa motorn. Använd skyddshandskar.

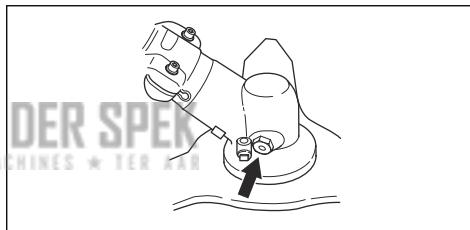
- För att fila gräskniven eller gräsklingan på rätt sätt ska du läsa anvisningarna som medföljer skärutrustningen.
- Fila alla eggar lika mycket för att behålla balansen.
- Använd en enkelgradig flatfil.



WARNING: Kassera alltid en klinga som är skadad. Försök inte att göra en böjd eller vriden klinga rak och använd den igen.

Vinkelväxel

Växeln fylls till tre fjärdedelar med fett på fabriken. Före användning ska du se till att fettnivån inte har ändrats. Använd specialfett från Husqvarna om du behöver fylla på. Byt inte fett i vinkelväxeln. Låt servicepersonal utföra reparationen av vinkelväxeln.



Tekniska data

Tekniska data

| 325iLK med buskröjningsstillbehöret BCA850 | |
|---|-----------|
| Motor | |
| Varvtal på utgående axel, 1/min ⁴¹ | 5 800 |
| Vikt | |
| Vikt, kg | 3,7 + 1,6 |

⁴¹ Varv/minut

| | |
|--|---------|
| 325iLK med buskröjningstillbehöret BCA850 | |
| Klippning | |
| Klippbredd, mm | Ø 255 |
| Bulleremissioner⁴² | |
| Ljudeffektnivå, uppmätt dB(A) | 95 |
| Ljudeffektnivå, garanterad L _{WA} dB(A) | 96 |
| Bullemnivåer⁴³ | |
| Ekvivalent ljudtrycksnivå vid användarens öra mätt enligt ISO 22868, dB(A): | |
| Utrustad med trimmerhuvud (original) | 82 |
| Vibrationsnivåer⁴⁴ | |
| Vibrationsnivåer i handtag, uppmätt enligt SS-EN ISO 22867, m/s ² | |
| Med sågklinga (original), vänster/höger | 3,3/1,5 |

Tillbehör

Tillbehör

| Godkända tillbehör med tillbehöret BCA850 | Tillbehörstyp | Skärutrustnings- skydd, artikelnummer |
|---|---|--|
| Gänga klingaxel M10 | | |
| Centrumhål i klingor/knivar, Ø 25,4 mm | | |
| Gräsklinga/gräskniv | Gräsklinga 255-4, 1 tum (Ø 255, 4 tänder) | 588 11 79-01 |

⁴² Emission av buller till omgivningen uppmätt som ljudeffekt (LWA) enligt EG-direktiv 2000/14/EG. Rapporterad ljudeffektnivå för maskinen har uppmätts med den originalsärutrustning som ger den högsta nivån. Skillnaden mellan garanterad och uppmätt ljudeffekt är att den garanterade ljudeffekten också inkluderar spridning i mätresultatet och variationen mellan olika maskiner av samma modell enligt direktiv 2000/14/EG.

⁴³ Rapporterade data för ljudtrycksnivå för maskinen har en typisk statistisk spridning (standardavvikelse) på 3 dB(A) och har mätts med det originaltillbehör som ger den högsta nivån.

⁴⁴ Rapporterade data för vibrationsnivåer har en typisk statistisk spridning (standardavvikelse) på 2 m/s². Vid jämförelse av vibrationsnivåer mellan batteri- och förbränningsdrivna produkter används vibrationsberäknaren på <https://www.husqvarna.com/uk/services-solutions/vibration-calculator/>.

EG-försäkran om överensstämmelse

EG-försäkran om överensstämmelse

Husqvarna AB, SE-561 82 Huskvarna, Sweden, tel:
+46-36-146500, försäkrar härmed att
buskröjningstillbehöret Husqvarna BCA850 med
serienummer från 2019 och framåt (året anges tydligt på
typskylten, följt av serienumret) tillsammans med
kraftaggregatet 325iLK motsvarar föreskrifterna i Rådets
direktiv:

- av den 17 maj 2006 "angående maskiner" **2006/42/EG**
- av den 26 februari 2014 "angående elektromagnetisk kompatibilitet" **2014/30/EU**
- av den 8 maj 2000 "angående emission av buller i miljön" **2000/14/EG**
- av den 8 juni 2011 angående "begränsning av användning av vissa farliga ämnen i elektrisk och elektronisk utrustning" **2011/65/EU**

Följande standarder har tillämpats: IEC 62841-1:2014, EN ISO 11806-1:2011, EN 50581:2012

RISE SMP Svensk Maskinprovning AB, Box 7035, SE-750 07 Uppsala, Sweden, Box 7035, SE-750 07 Uppsala, Sweden, har utfört EG-typkontroll enligt artikel 12, punkt 3b, i maskindirektivet (2006/42/EG). Intyget har nummer:

RISE SMP Svensk Maskinprovning AB har även intygat överensstämmelse med bilaga V till rådets direktiv 2000/14/EG. Certifikatet har nummer: 01/1610/010

För information om bulleremissioner, se *Tekniska data på sida 150*.

Huskvarna



Per Gustafsson, utvecklingschef (auktoriserad representant för Husqvarna AB samt ansvarig för tekniskt underlag)

KEES VAN DER SPEK
TUIN EN PARKMACHINES ★ TER AAR

KEES VAN DER SPEK
TUIN EN PARKMACHINES ★ TER AAR

KEES VAN DER SPEK
TUIN EN PARKMACHINES ★ TER AAR



KEES VAN DER SPEK
www.husqvarna.com

Original instructions
Originale instruktioner
Originalanweisungen
Instrucciones originales
Alkuperäiset ohjeet
Instructions d'origine

Istruzioni originali
Originele instructies
Originale instruksjoner
Instruções originais
Bruksanvisning i original

1141205-38



2019-12-20