



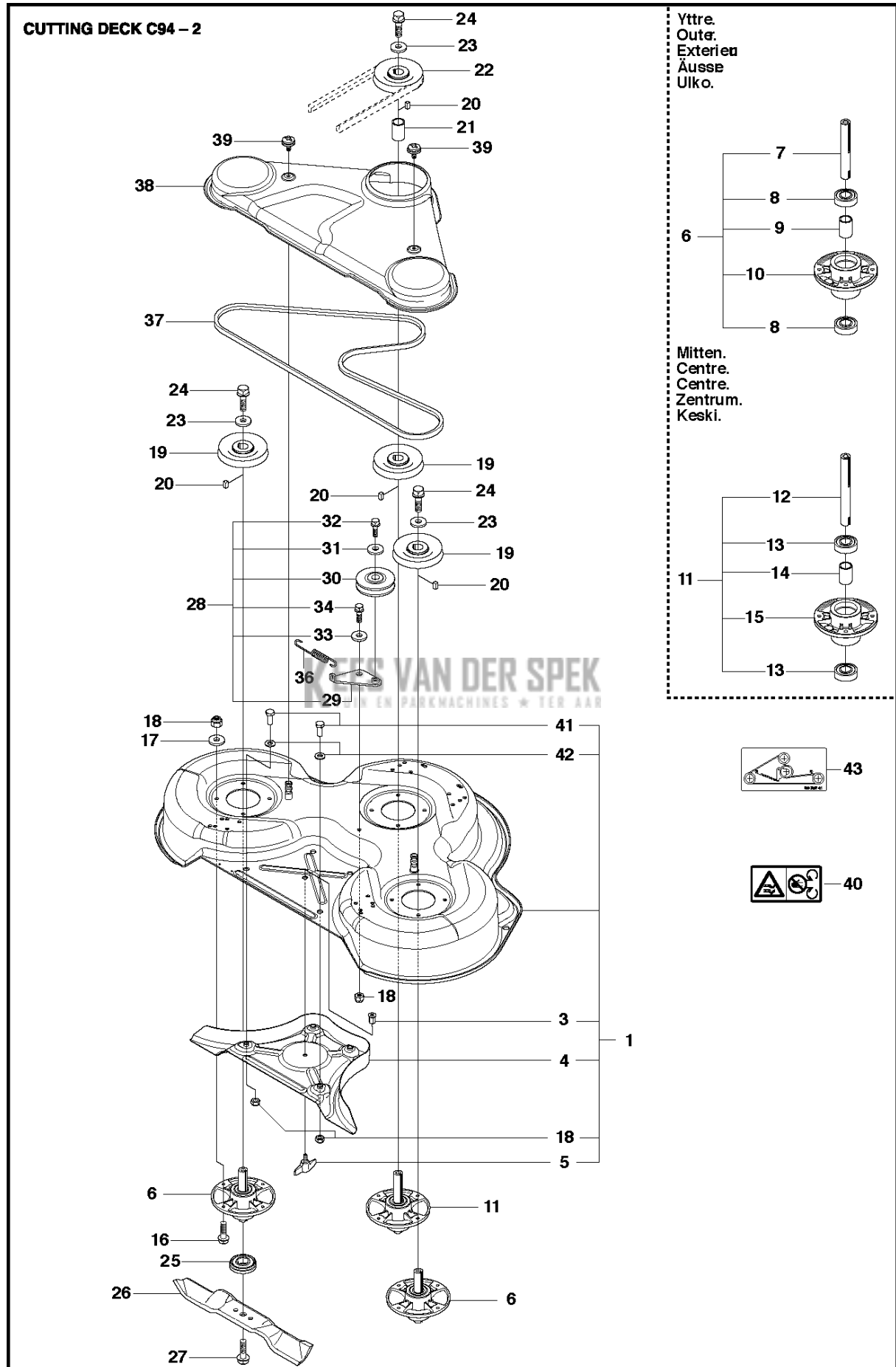
SPARE PARTS LIST

FRONTRIDERS

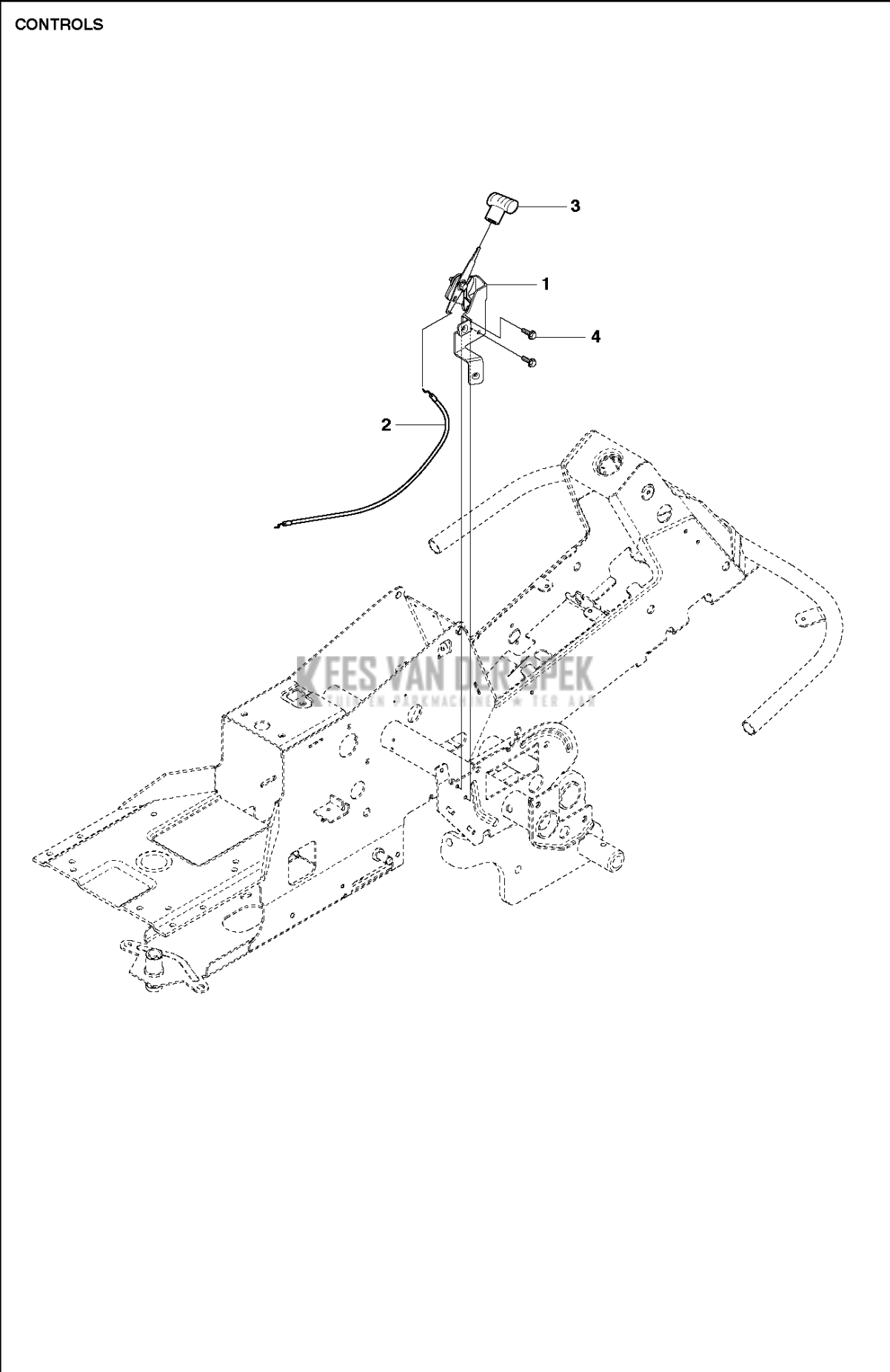
FR2216 MA, 967294801, 2015

| Referentie | Onderdeel nr | Omschrijving | Opmerking | Aant KIT al |
|------------|--------------|--------------------|-----------|----------------|
| 40 | 544 22 07-02 | CROSS BAR | | 1 |
| 41 | 584 95 20-02 | CROSSBAR | | 1 |
| 42 | 506 86 96-01 | LAGER | | 1 |
| 43 | 506 81 38-01 | REINFORCING PLATE | | 1 |
| 44 | 578 85 61-01 | BEVESTIGING | | 1 |
| 47 | 725 24 61-51 | SCHROEF EHHM | | 3 |
| 48 | 732 21 18-01 | LOCK NUT | | 1 |
| 49 | 544 22 69-01 | PARALLELSTANG | | 1 |
| 50 | 544 45 14-01 | PARALLELSTANG | | 1 |
| 51 | 544 45 15-01 | REGELBARE STANG | | 1 |
| 52 | 506 89 76-01 | MOER | | 1 |
| 53 | 731 23 20-01 | ZESKANT MOER | | 1 |
| 54 | 578 17 78-02 | DEK AANVULLING | | 2 |
| 55 | 544 21 39-01 | BORGPEN | | 1 |
| 56 | 544 21 41-01 | VEER | | 1 |
| 57 | 735 31 13-20 | E-CLIP | | 1 |
| 58 | 506 59 74-01 | SCHROEF EHHFM | | 4 |
| 59 | 732 21 18-01 | LOCK NUT | | 12 |
| 60 | 506 96 30-01 | WIEL COMPL. | | 2 |
| 61 | 535 46 41-01 | RING | | 4 |
| 62 | 735 31 17-00 | BORGCLIP | | 2 |
| 63 | 587 41 52-01 | RIEMSPANNER COMPL. | | 1 |
| 64 | 506 97 68-01 | VEER | | 1 |
| 65 | 506 99 20-01 | PIJP | | 1 |
| 66 | 725 24 60-51 | SCHROEF EHHM | | 1 |
| 67 | 734 11 64-41 | RING | | 1 |
| 68 | 544 36 24-01 | SCREW | | 2 |
| 69 | 503 89 47-02 | SNÄPPE | | 1 |
| 70 | 588 23 47-01 | POELIE | | 1 |

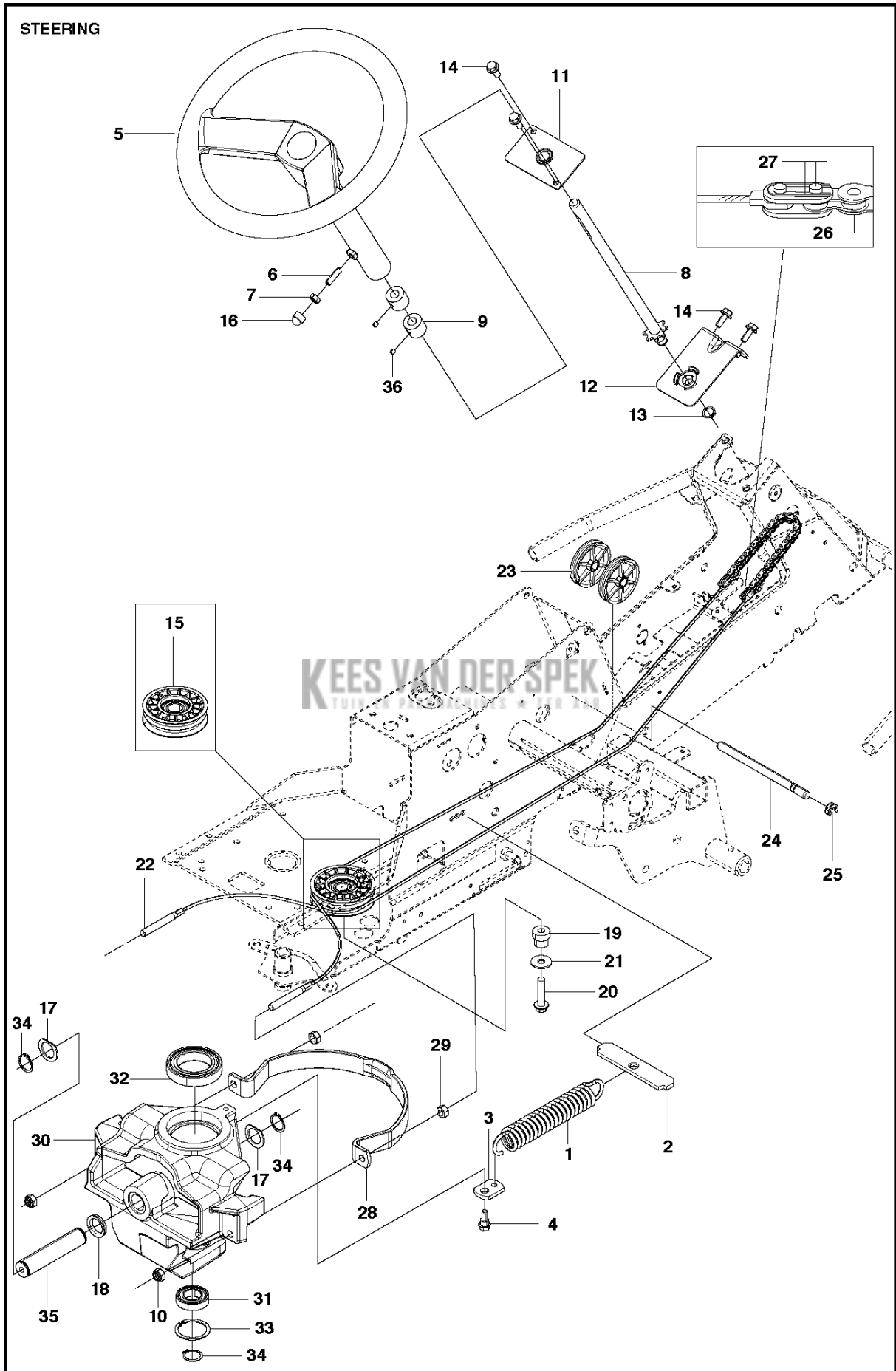
63



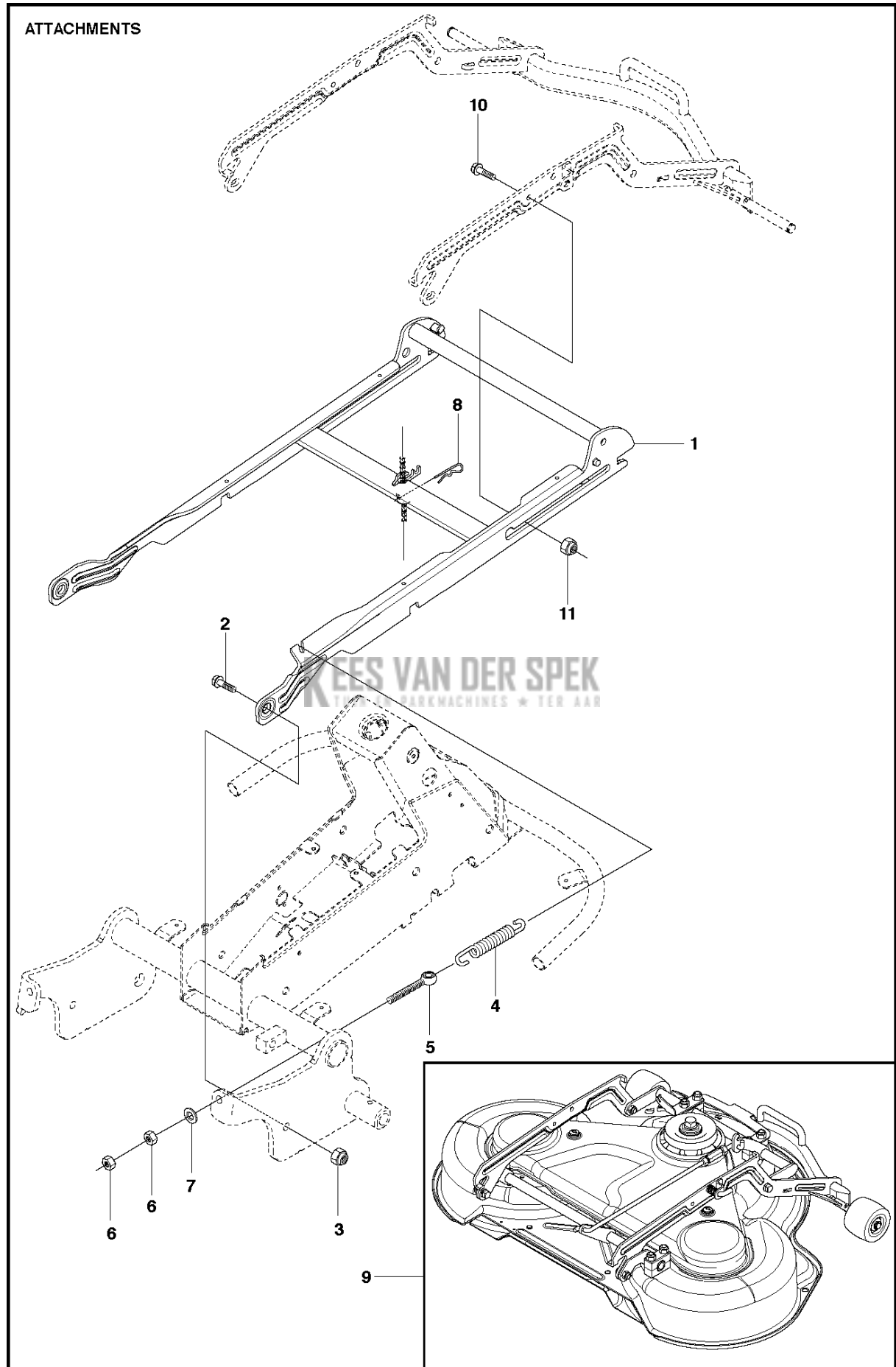
| Referentie | Onderdeel nr | Omschrijving | Opmerking | Aant KIT al |
|------------|--------------|---------------------|-----------|----------------|
| 1 | 581 23 74-08 | MAAIDEKKAP COMPL. | | 1 |
| 3 | 506 91 62-01 | BLIND RIVET NUT | | 1 1 |
| 4 | 544 06 58-01 | PLUG | | 1 1 |
| 5 | 544 06 61-01 | KNOP | | 1 1 |
| 6 | 576 38 41-02 | MESHOUDER COMPL. | | 2 |
| 7 | 576 38 43-02 | AS | | 1 6 |
| 8 | 738 23 04-34 | KOGELLAGER | | 2 6 |
| 9 | 576 38 44-01 | AFSTANDHULS | | 1 6 |
| 10 | 576 38 42-01 | LAGERHUIS | | 1 6 |
| 11 | 576 38 41-03 | MESHOUDER COMPL. | | 1 |
| 12 | 576 38 43-03 | AS | | 1 11 |
| 13 | 738 23 04-34 | KOGELLAGER | | 2 11 |
| 14 | 576 38 44-01 | AFSTANDHULS | | 1 11 |
| 15 | 576 38 42-01 | LAGERHUIS | | 1 11 |
| 16 | 535 42 38-01 | SCHROEF RSQM | | 12 |
| 17 | 734 11 64-01 | RING | | 12 |
| 18 | 732 21 18-01 | LOCK NUT | | 12 1 |
| 19 | 506 92 21-01 | POELIE | | 3 |
| 20 | 506 53 35-01 | EVENWIJDIGE SLEUTEL | | 4 |
| 21 | 544 06 80-03 | AFSTANDHULS | | 1 |
| 22 | 506 77 86-01 | POELIE | | 1 |
| 23 | 734 11 74-41 | RING | | 3 |
| 24 | 506 67 54-02 | SCHROEF EHHFM | | 3 |
| 25 | 544 06 49-01 | MES | | 3 |
| 26 | 579 65 25-10 | MES | | 3 |
| 27 | 506 67 54-02 | SCHROEF EHHFM | | 3 |
| 28 | 586 96 40-01 | RIEMSPANNER COMPL. | | 1 |
| 29 | 580 79 42-01 | ARM | | 1 28 |
| 30 | 581 86 46-01 | RIEMSPANWIEL | | 1 28 |
| 31 | 734 11 64-41 | RING | | 1 28 |
| 32 | 506 55 83-02 | SCHROEF EHHFT | | 1 28 |
| 33 | 586 49 67-01 | RING | | 1 |
| 34 | 725 64 53-01 | SCHROEF IHCSFM | | 1 |
| 36 | 506 53 31-01 | VEER | | 1 |
| 37 | 589 53 07-01 | RIEM | | 1 |
| 38 | 522 82 19-04 | RIEMKAP | | 1 |
| 39 | 544 40 05-01 | SCREW | | 2 |
| 40 | 574 51 00-01 | STICKER | | 2 |
| 41 | 725 24 51-71 | SCHROEF EHHM | | 3 1 |
| 42 | 734 11 64-01 | RING | | 3 1 |
| 43 | 506 78 97-01 | PLAATJE | | 1 |



| Referentie | Onderdeel nr | Omschrijving | Opmerking | Aant KIT al |
|------------|--------------|---------------|-----------|----------------|
| 1 | 502 29 56-01 | GASHEVEL | | 1 |
| 2 | 544 30 17-01 | KABEL | | 1 |
| 3 | 506 88 91-01 | KNOP | | 1 |
| 4 | 725 23 64-61 | SCHROEF EHHFT | | 2 |

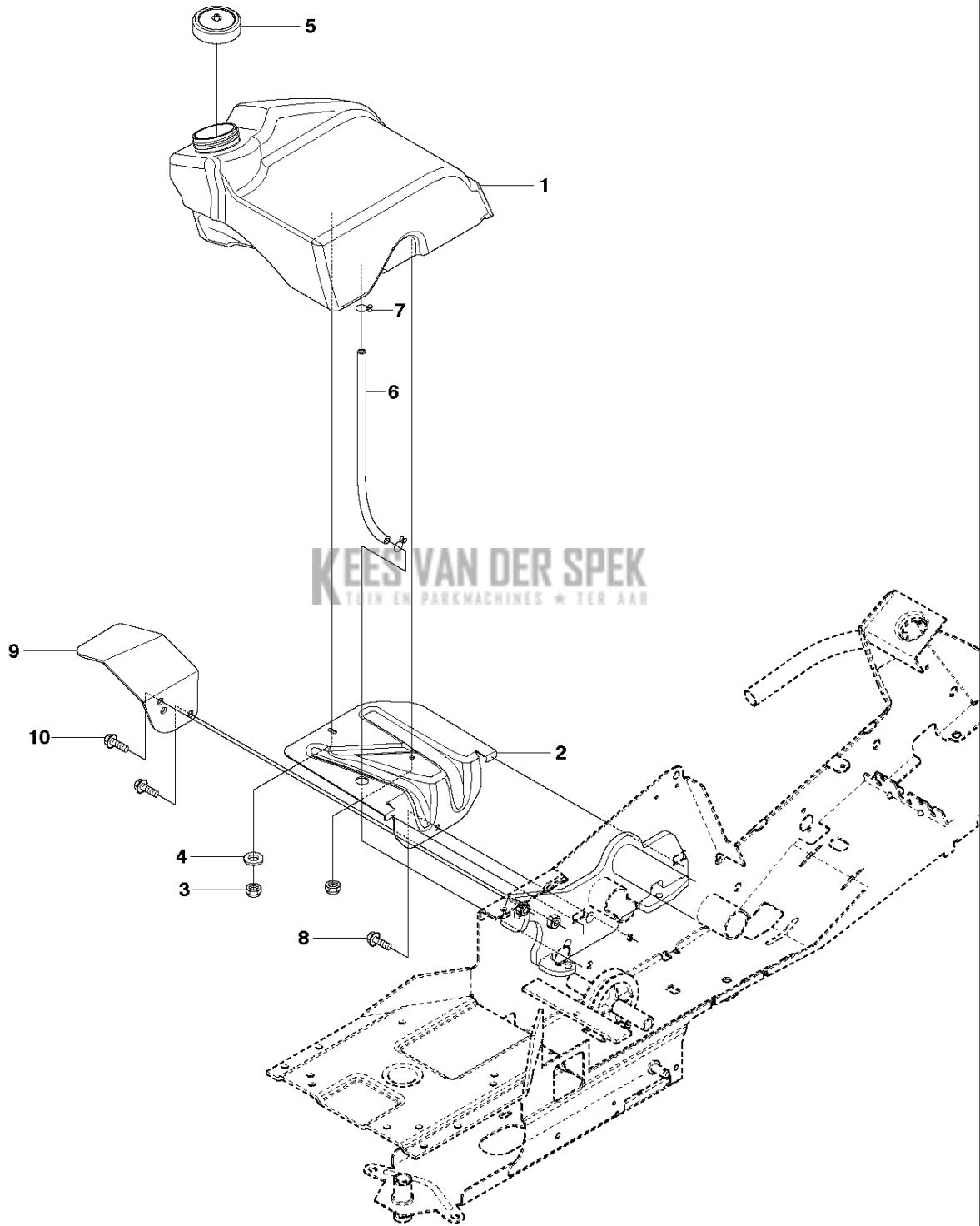


| Referentie | Onderdeel nr | Omschrijving | Opmerking | Aant KIT al |
|------------|--------------|-----------------|-----------|-------------|
| 1 | 506 67 19-01 | VEER | | 1 |
| 2 | 506 57 63-01 | VEERBEVESTIGING | | 1 |
| 3 | 506 67 08-01 | SCHAKEL | | 1 |
| 4 | 506 59 74-01 | SCHROEF EHHFM | | 1 |
| 5 | 544 37 52-03 | STUURWIEL | | 1 |
| 6 | 728 74 55-05 | SCHROEF IHSETM | | 1 |
| 7 | 731 23 18-01 | ZESKANT MOER | | 1 |
| 8 | 583 89 99-01 | STUURSTANG | | 1 |
| 9 | 506 86 34-01 | MEENEMER | | 2 |
| 10 | 732 21 20-51 | MOER | | 2 |
| 11 | 584 15 56-01 | BEVESTIGING | | 1 |
| 12 | 583 89 97-01 | BEVESTIGING | | 1 |
| 13 | 735 31 17-00 | BORGCLIP | | 1 |
| 14 | 506 57 01-04 | SCHROEF EHHFM | | 4 |
| 15 | 576 49 25-01 | POELIE | | 1 |
| 16 | 544 43 32-02 | BESCHERMDEKSEL | | 1 |
| 17 | 506 77 34-01 | RING | | 2 |
| 18 | 740 68 14-21 | V-RING | | 1 |
| 19 | 576 48 73-01 | BUSHING | | 1 |
| 20 | 506 67 54-03 | SCHROEF EHHFM | | 1 |
| 21 | 734 11 74-41 | RING | | 1 |
| 22 | 577 19 99-04 | KABEL COMPL. | | 2 |
| 23 | 506 52 24-01 | KOORDSCHIJF | | 2 |
| 24 | 506 53 94-04 | AS | | 1 |
| 25 | 735 31 14-20 | E-CLIP | | 2 |
| 26 | 506 55 46-01 | KETTING | | 1 |
| 27 | 506 55 47-01 | VERBINDING | | 2 |
| 28 | 544 42 73-01 | KABELGELEIDER | | 1 |
| 29 | 731 23 20-01 | ZESKANT MOER | | 2 |
| 30 | 577 65 93-02 | SPINDEL | | 1 |
| 31 | 738 21 05-04 | KOGELLAGER | | 1 |
| 32 | 738 21 10-04 | KOGELLAGER | | 1 |
| 33 | 735 31 40-10 | BORGCLIP | | 1 |
| 34 | 735 31 26-00 | BORGCLIP | | 3 |
| 35 | 506 98 59-01 | SCHOMMELAS | | 1 |
| 36 | 728 84 43-05 | SCHROEF IHSETM | | 2 |

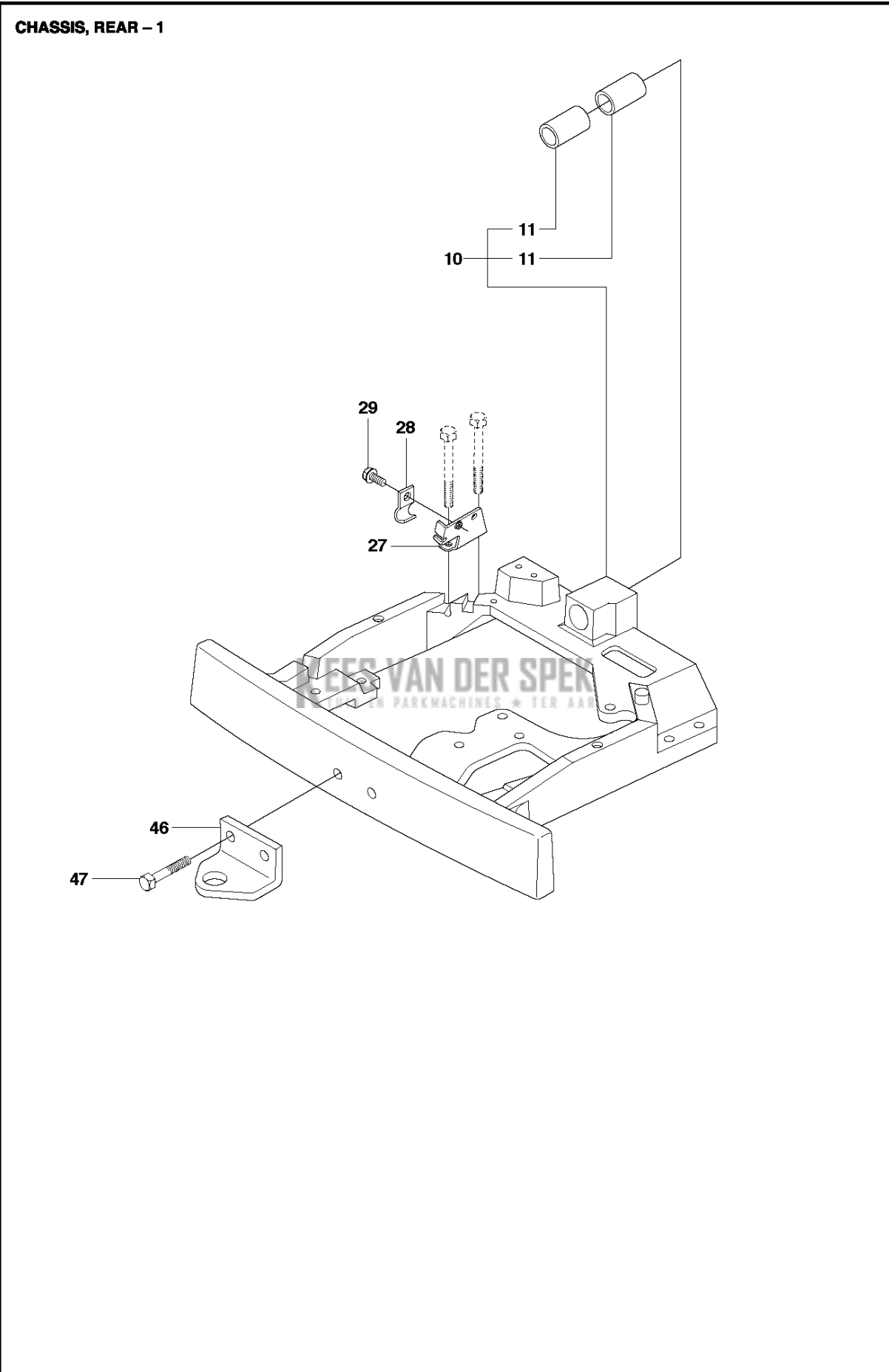


| Referentie | Onderdeel nr | Omschrijving | Opmerking | Aant KIT al |
|------------|--------------|---------------------|-----------|-------------|
| 1 | 578 17 74-02 | GEREEDSCHAPSFRAME | | 1 |
| 2 | 506 89 58-01 | COLLAR SCREW | | 2 |
| 3 | 732 25 22-01 | ZESKANTIGE BORGMOER | | 2 |
| 4 | 506 83 76-01 | VEER | | 2 |
| 5 | 506 83 77-01 | RING BOLT | | 2 |
| 6 | 731 23 20-51 | ZESKANT MOER | | 4 |
| 7 | 734 11 72-01 | RING | | 2 |
| 8 | 506 96 66-01 | HAIR PIN COTTER | | 1 |
| 9 | 586 97 77-01 | MAAIDEK | | 1 |
| 10 | 544 36 24-01 | SCREW | | 2 |
| 11 | 732 21 18-01 | LOCK NUT | | 2 |

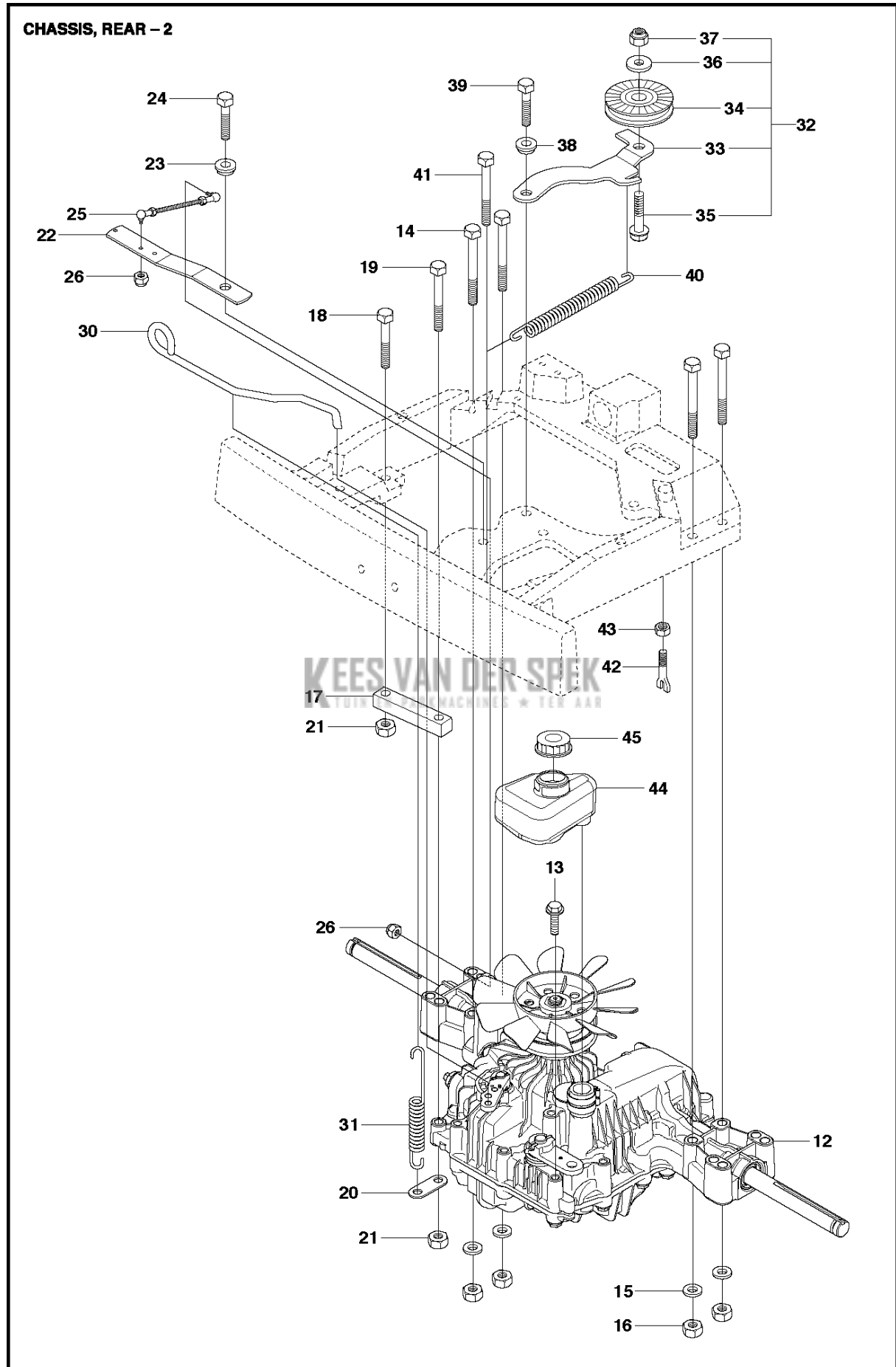
FUEL SYSTEM



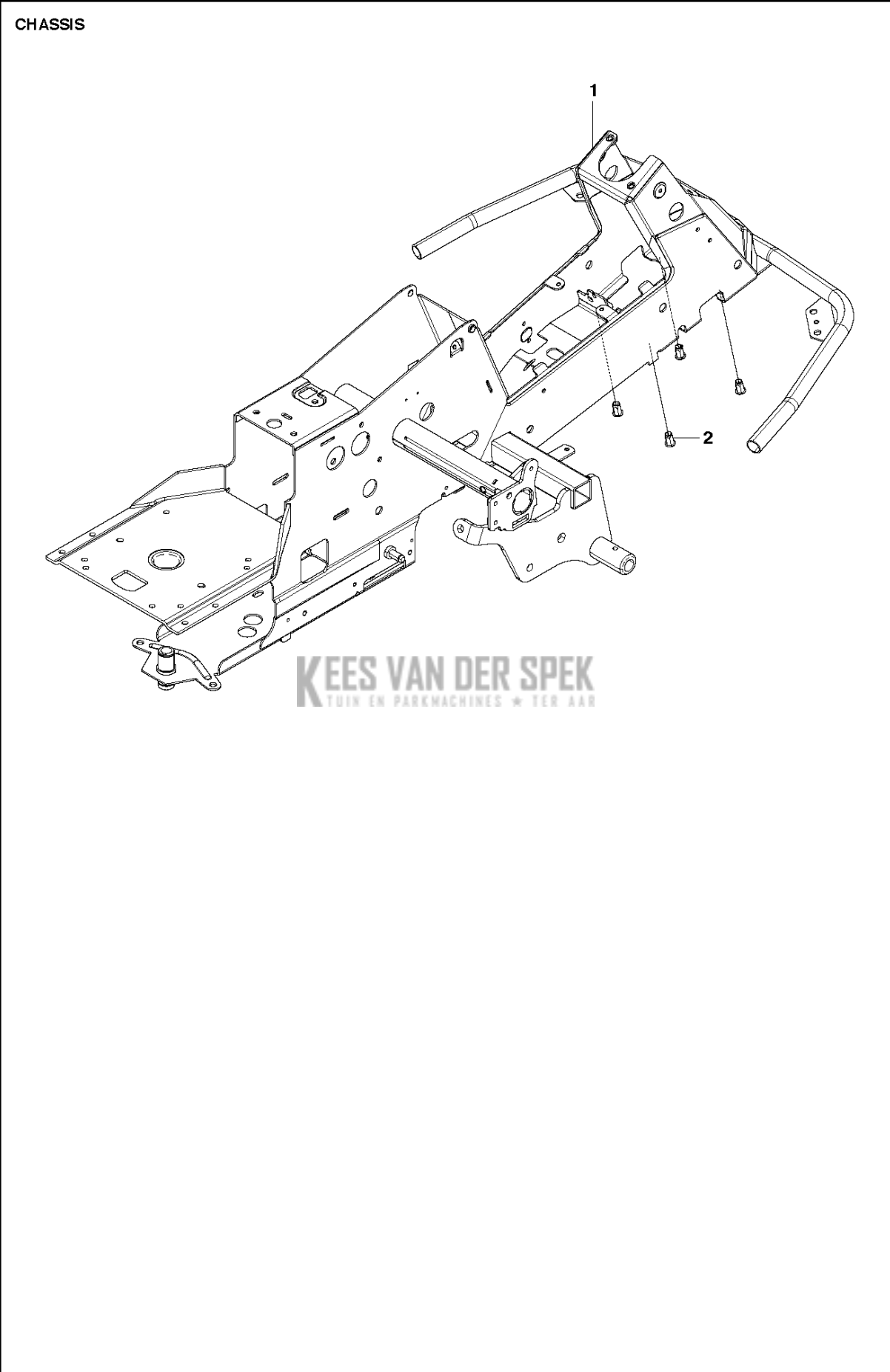
| Referentie | Onderdeel nr | Omschrijving | Opmerking | Aant KIT al |
|------------|--------------|-------------------|-----------|-------------|
| 1 | 504 05 99-01 | BRANDSTOFTANK | | 1 |
| 2 | 544 32 93-01 | BEVESTIGING | | 1 |
| 3 | 732 21 16-01 | MOER | | 2 |
| 4 | 734 11 56-01 | RING | | 1 |
| 5 | 506 67 33-01 | TANKDEKSEL COMPL. | | 1 |
| 6 | 504 80 00-07 | BRANDSTOFSLANG | | 1 |
| 7 | 535 46 97-01 | HOSE BRACE | | 2 |
| 8 | 725 23 64-61 | SCHROEF EHHFT | | 1 |
| 9 | 504 55 66-01 | STEUN | | 1 |
| 10 | 725 24 93-71 | SCHROEF EHHM | | 2 |



| Referentie | Onderdeel nr | Omschrijving | Opmerking | Aant KIT al |
|------------|--------------|---------------|-----------|----------------|
| 10 | 535 40 60-02 | BEVESTIGING | | 1 |
| 11 | 506 98 61-02 | GLIDLAGER | | 2 10 |
| 27 | 506 98 77-01 | BEVESTIGING | | 1 |
| 28 | 506 56 65-01 | KLEM | | 1 |
| 29 | 725 23 64-61 | SCHROEF EHHFT | | 1 |
| 46 | 506 88 99-01 | HAAK | | 1 |
| 47 | 725 24 93-71 | SCHROEF EHHM | | 2 |

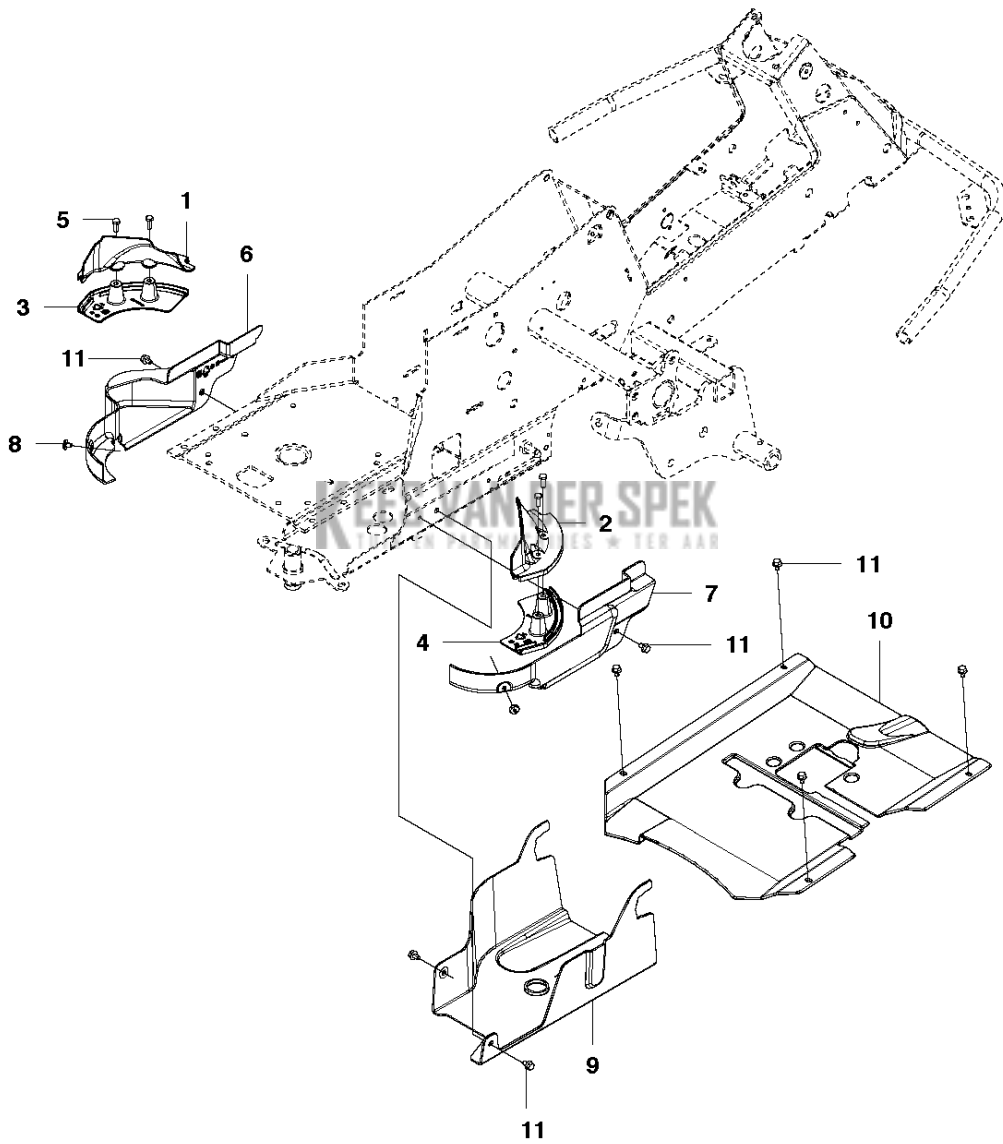


| Referentie | Onderdeel nr | Omschrijving | Opmerking | Aant KIT al |
|------------|--------------|----------------------|-----------|----------------|
| 12 | 506 98 63-01 | TRANSMISSIE | | 1 |
| 13 | 506 55 83-02 | SCHROEF EHHFT | | 1 |
| 14 | 725 24 67-51 | SCHROEF EHHM | | 4 |
| 15 | 734 11 64-01 | RING | | 4 |
| 16 | 731 23 18-01 | ZESKANT MOER | | 4 |
| 17 | 506 98 72-01 | MOMENTFÄSTE | | 1 |
| 18 | 725 24 59-51 | SCHROEF EHHM | | 1 |
| 19 | 725 24 62-51 | SCHROEF EHHM | | 1 |
| 20 | 506 59 93-01 | SCHAKEL | | 1 |
| 21 | 731 23 18-01 | ZESKANT MOER | | 2 |
| 22 | 506 98 74-03 | HEFBOOM | | 1 |
| 23 | 506 91 87-02 | RING | | 1 |
| 24 | 725 24 51-51 | SCREW | | 1 |
| 25 | 506 98 75-01 | REGELBARE STANG | | 1 |
| 26 | 732 21 14-01 | LOCK NUT | | 2 |
| 30 | 506 98 82-01 | FRIKOPPLINGSSTANG | | 1 |
| 31 | 506 83 43-01 | VEER | | 1 |
| 32 | 506 98 84-01 | RIEMSPANNER COMPL. | | 1 32 |
| 33 | 506 98 85-01 | RIEMSPANNER | | 1 32 |
| 34 | 506 94 69-01 | BELT TENS WHEEL ASSY | | 1 32 |
| 35 | 725 24 55-51 | SCREW | | 1 32 |
| 36 | 734 11 64-41 | RING | | 1 32 |
| 37 | 732 21 18-01 | LOCK NUT | | 1 |
| 38 | 506 91 87-02 | RING | | 1 |
| 39 | 725 24 51-51 | SCREW | | 1 |
| 40 | 506 98 86-01 | VEER | | 1 |
| 41 | 725 24 64-51 | SCHROEF EHHM | | 1 |
| 42 | 506 98 88-01 | PENDULUM | | 1 |
| 43 | 731 23 20-51 | ZESKANT MOER | | 1 |
| 44 | 506 98 90-01 | EXPANSIEVAT | | 1 |
| 45 | 506 98 80-01 | TANKDEKSEL COMPL. | | 1 |

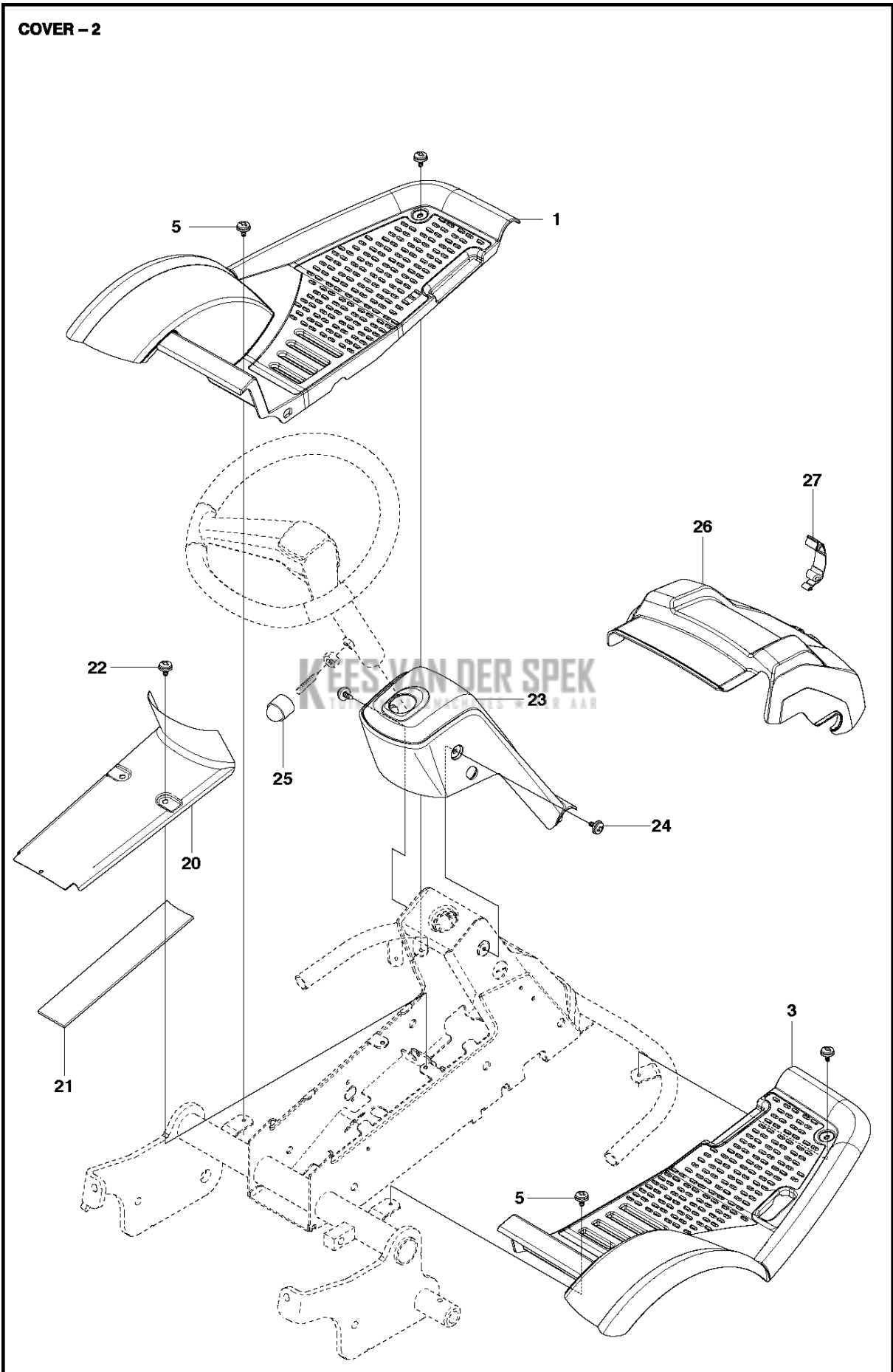


| Referentie | Onderdeel nr | Omschrijving | Opmerking | Aant KIT al |
|------------|--------------|--------------|-----------|----------------|
| 1 | 577 93 90-02 | CHASSIS | | 1 |

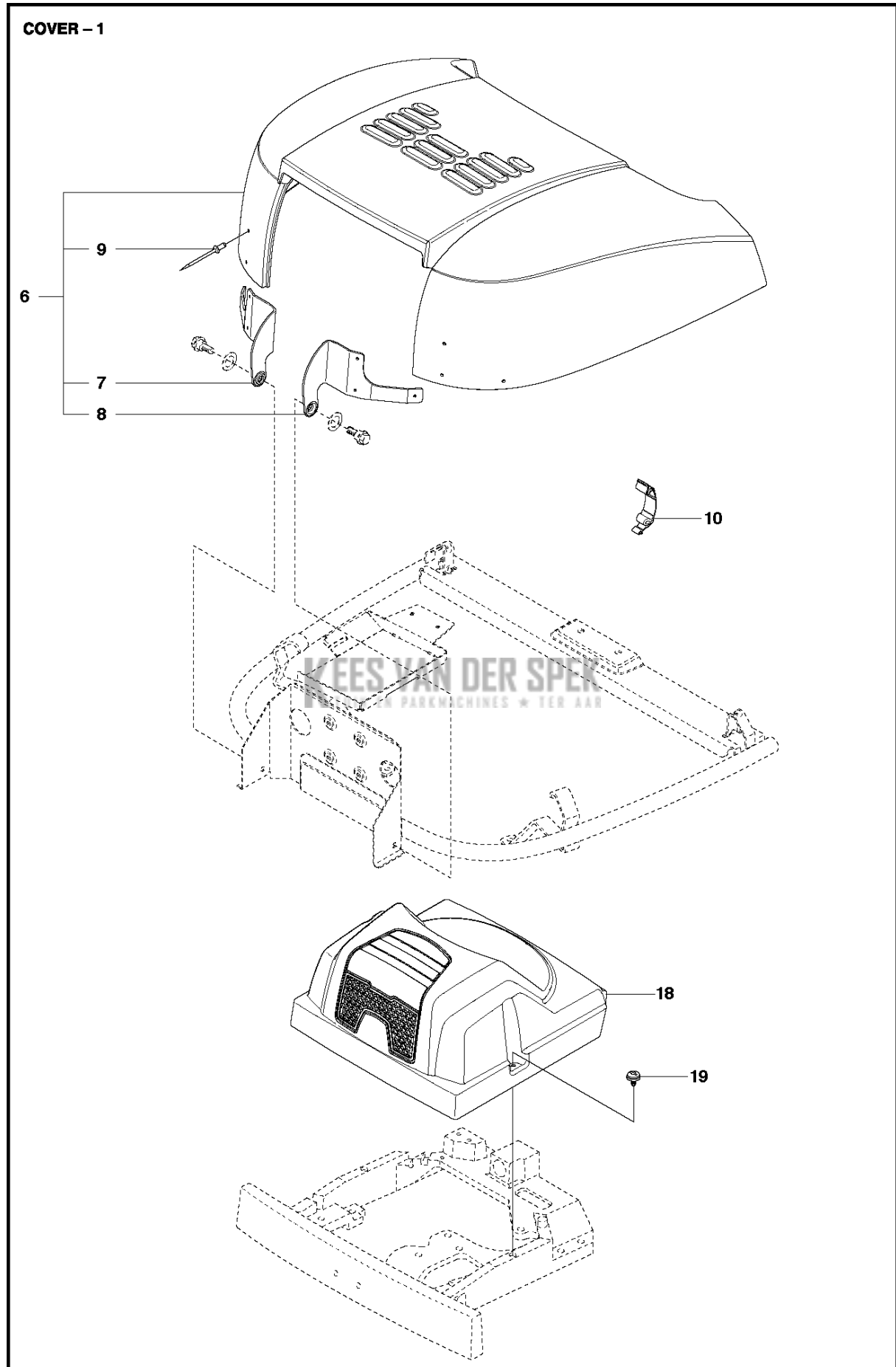
COVER - 4



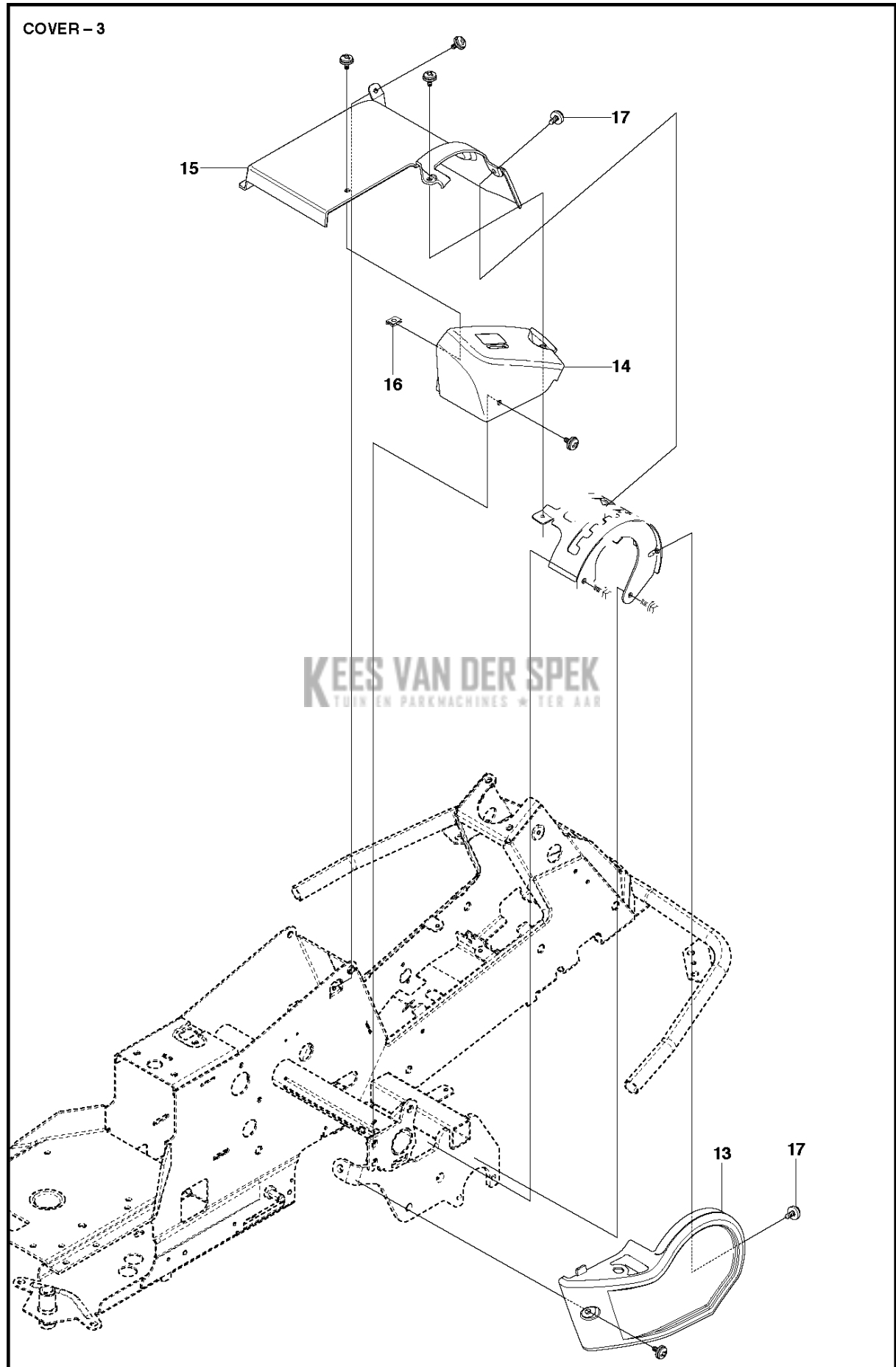
| Referentie | Onderdeel nr | Omschrijving | Opmerking | Aant KIT al |
|------------|--------------|---------------|-----------|-------------|
| 1 | 510 22 25-03 | RIEMKAP | | 1 |
| 2 | 510 22 25-04 | RIEMKAP | | 1 |
| 3 | 510 22 27-03 | RIEMKAP | | 1 |
| 4 | 510 22 27-04 | RIEMKAP | | 1 |
| 5 | 725 23 68-61 | SCHROEF EHHFT | | 4 |
| 6 | 510 22 23-04 | RIEMKAP | | 1 |
| 7 | 510 22 24-02 | RIEMKAP | | 1 |
| 8 | 522 55 73-01 | SCREW | | 2 |
| 9 | 510 44 20-02 | RIEMKAP | | 1 |
| 10 | 510 43 62-04 | RIEMKAP | | 1 |
| 11 | 725 23 64-61 | SCHROEF EHHFT | | 8 |



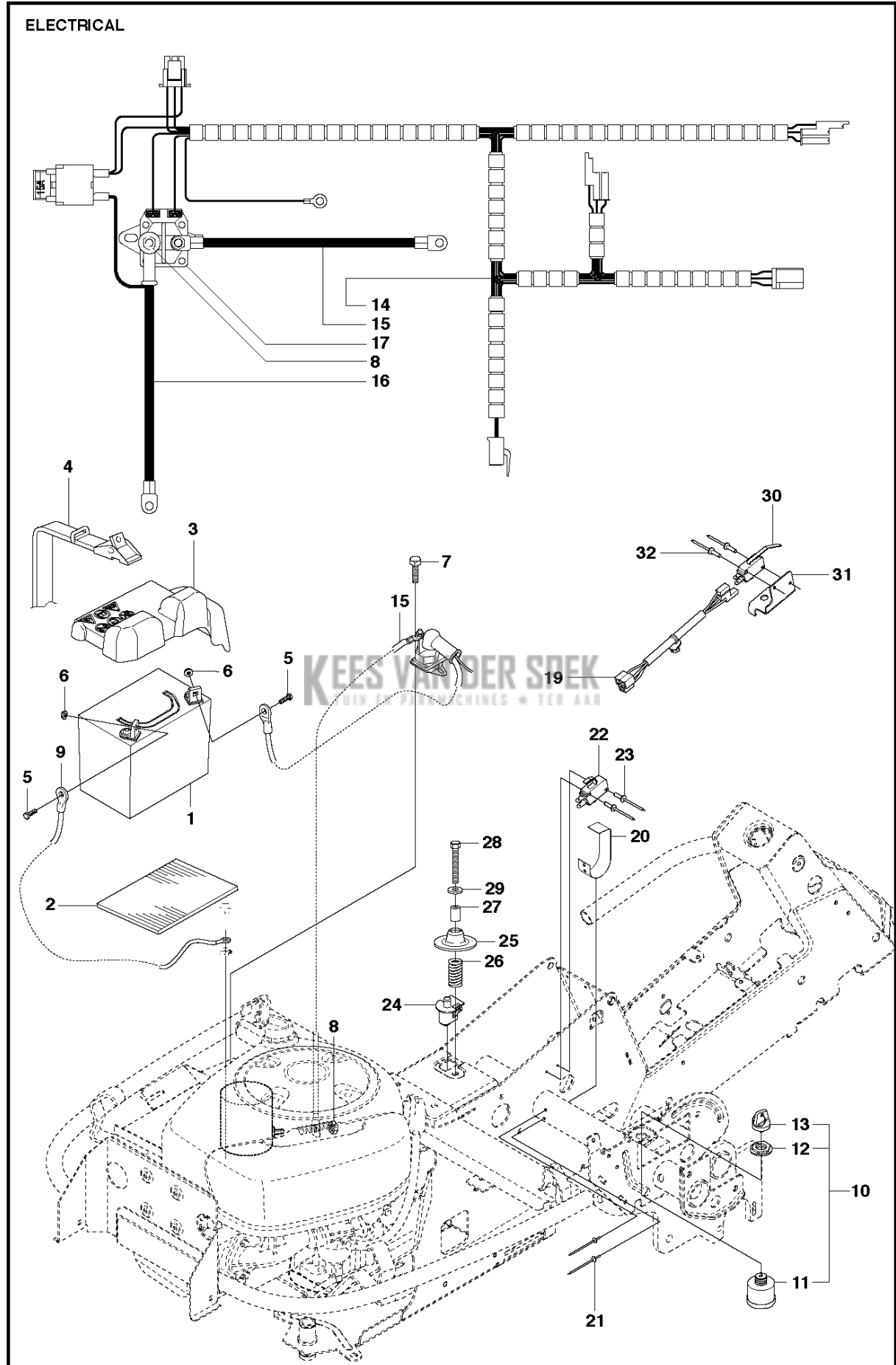
| Referentie | Onderdeel nr | Omschrijving | Opmerking | Aant KIT al |
|------------|--------------|----------------|-----------|-------------|
| 1 | 578 23 31-01 | PLAAT | | 1 |
| 3 | 578 23 32-01 | FOOT PLATE | | 1 |
| 5 | 544 40 05-01 | SCREW | | 4 |
| 20 | 544 23 92-02 | DEKSEL | | 1 |
| 21 | 544 42 75-01 | MAT | | 1 |
| 22 | 544 40 05-01 | SCREW | | 2 |
| 23 | 504 06 01-01 | DEKSEL | | 1 |
| 24 | 544 40 05-01 | SCREW | | 2 |
| 25 | 544 43 32-02 | BESCHERMDEKSEL | | 1 |
| 26 | 578 77 63-02 | UNIT DEKSEL | | 1 |
| 27 | 503 89 47-02 | SNÄPPE | | 1 |



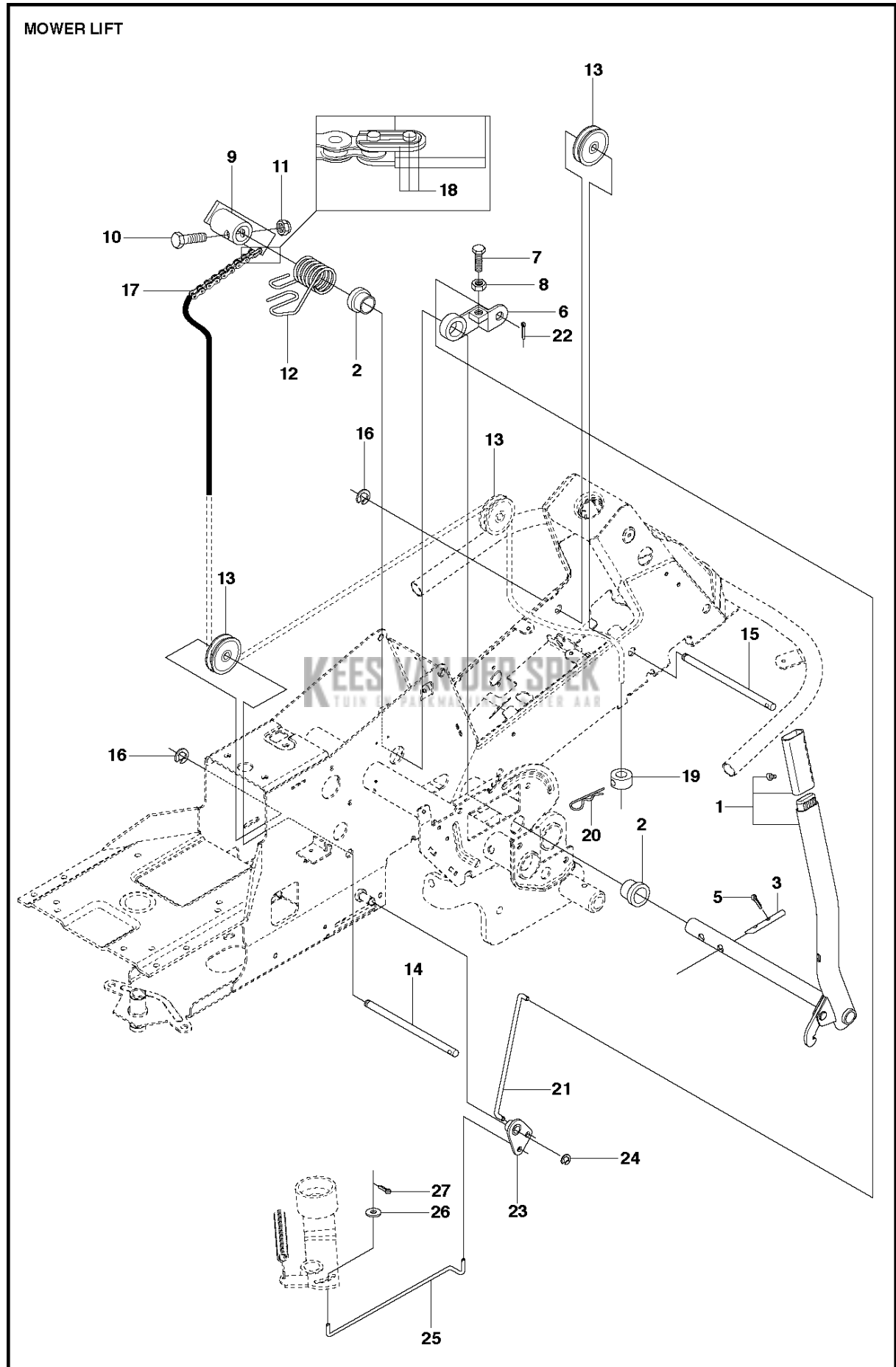
| Referentie | Onderdeel nr | Omschrijving | Opmerking | Aant KIT al |
|------------|--------------|-----------------|-----------|----------------|
| 6 | 535 41 90-04 | MOTORKAP COMPL. | | 1 |
| 7 | 535 41 99-01 | SCHARNIER | | 1 6 |
| 8 | 535 41 99-02 | SCHARNIER | | 1 6 |
| 9 | 722 79 54-02 | KLINKNAGEL | | 6 6 |
| 10 | 503 89 47-02 | SNÄPPE | | 1 |
| 18 | 574 85 61-02 | DEKSEL | | 1 |
| 19 | 544 40 05-01 | SCREW | | 2 |



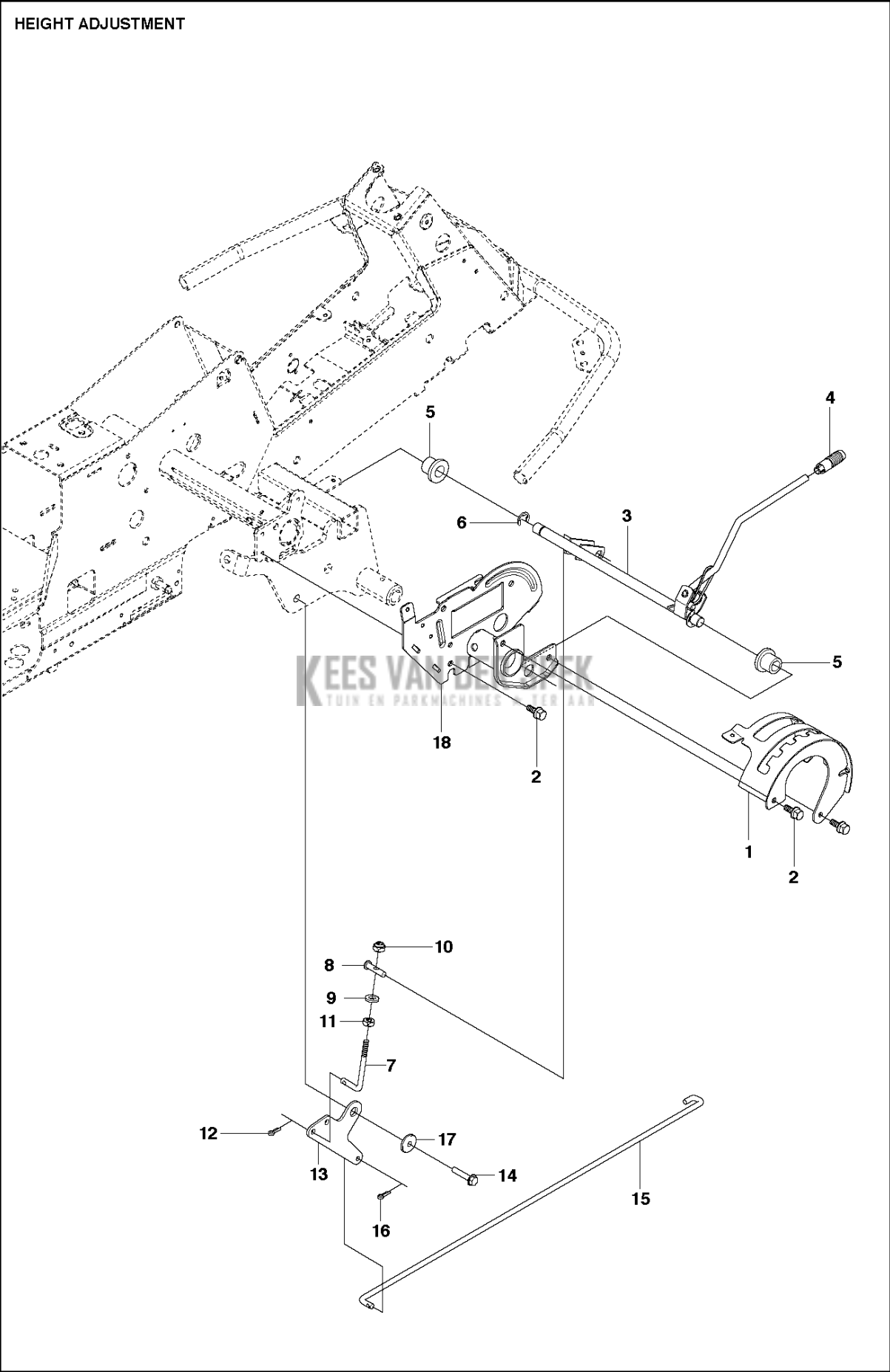
| Referentie | Onderdeel nr | Omschrijving | Opmerking | Aant KIT al |
|------------|--------------|----------------|-----------|----------------|
| 13 | 504 05 95-01 | BEDIENINGS KAP | | 1 |
| 14 | 504 05 97-02 | BEDIENINGS KAP | | 1 |
| 15 | 504 05 98-02 | DEKSEL | | 1 |
| 16 | 535 42 91-01 | MOER MET VEER | | 1 |
| 17 | 544 40 05-01 | SCREW | | 7 |



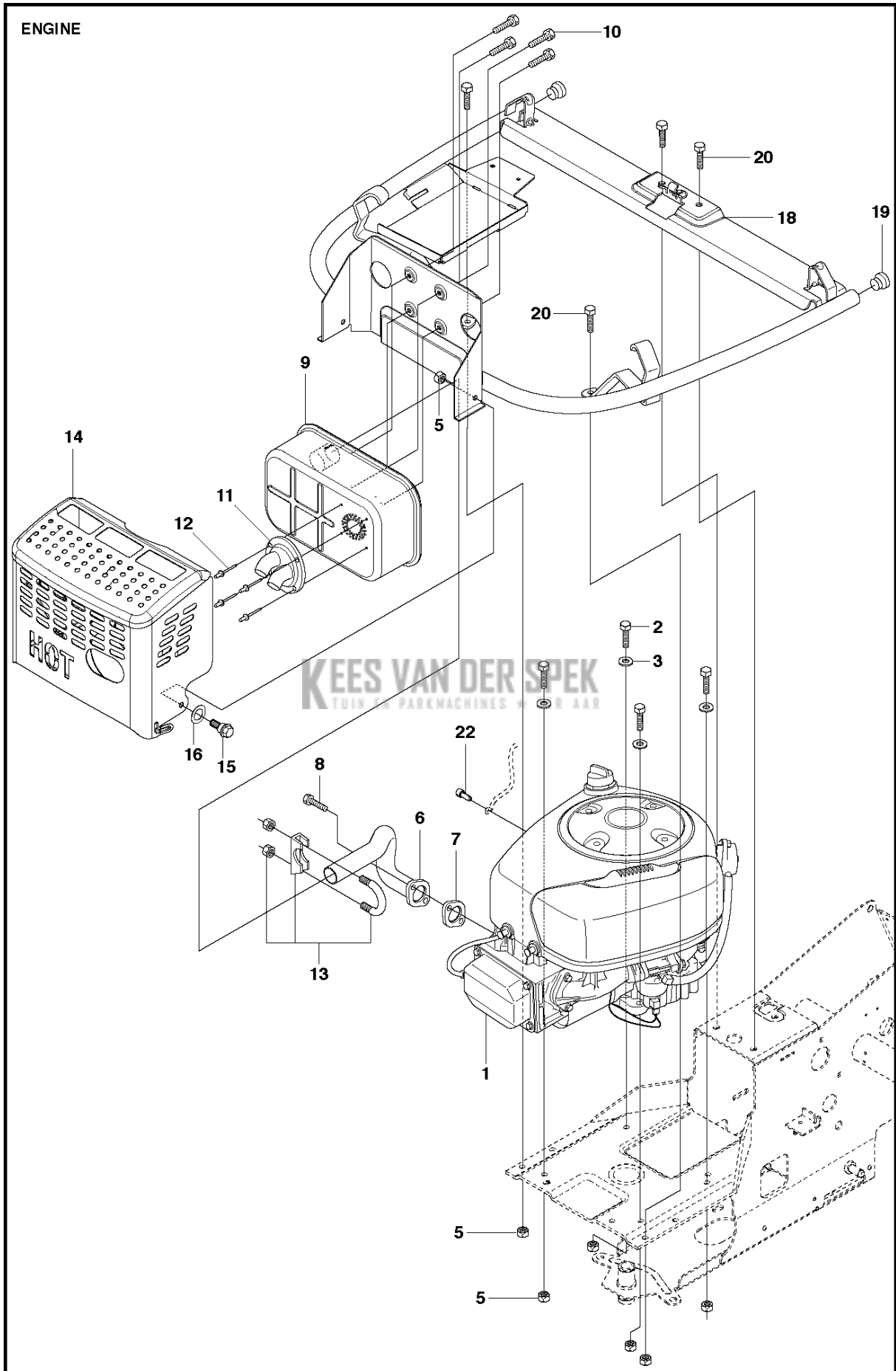
| Referentie | Onderdeel nr | Omschrijving | Opmerking | Aant KIT al |
|------------|--------------|-----------------------|-----------|----------------|
| 1 | 510 13 85-01 | ACCU | | 1 |
| 2 | 535 44 11-01 | BATTERY MAT | | 1 |
| 3 | 510 02 69-01 | DEKSEL | | 1 |
| 4 | 506 83 68-02 | RIEM | | 1 |
| 5 | 522 62 21-01 | SCHROEF EHHM | | 2 |
| 6 | 522 62 43-01 | MOER | | 2 |
| 7 | 725 23 64-61 | SCHROEF EHHFT | | 1 |
| 8 | 506 89 98-01 | MOER | | 3 |
| 9 | 544 96 76-03 | KABEL | | 1 |
| 10 | 544 44 21-01 | ONTSTEKING SCHAKELAAR | | 1 |
| 11 | 544 44 22-01 | ONTSTEKING SCHAKELAAR | | 1 10 |
| 12 | 544 44 23-01 | MOER | | 1 10 |
| 13 | 544 44 24-01 | ONTSTEKINGS SLEUTEL | | 1 10 |
| 14 | 578 33 83-01 | BEKABELING | | 1 |
| 15 | 544 92 86-01 | KABEL | | 1 |
| 16 | 544 92 61-04 | KABEL | | 1 |
| 17 | 544 43 98-01 | RELAIS | | 1 |
| 19 | 576 18 54-01 | BEKABELING | | 1 |
| 20 | 506 90 93-01 | BLADVEER | | 1 |
| 21 | 722 78 39-02 | BLIND RIVET | | 2 |
| 22 | 574 31 60-01 | SCHAKELAAR | | 1 |
| 23 | 544 44 07-01 | KLINKNAGEL | | 2 |
| 24 | 506 90 96-01 | SCHAKELAAR | | 1 |
| 25 | 506 90 97-01 | VEERRING | | 1 |
| 26 | 544 44 12-01 | VEER | | 1 |
| 27 | 506 90 99-02 | AFSTANDBUIS | | 1 |
| 28 | 725 24 60-51 | SCHROEF EHHM | | 1 |
| 29 | 734 11 64-01 | RING | | 1 |
| 30 | 574 31 61-01 | SCHAKELAAR | | 1 |
| 31 | 544 41 57-01 | BEVESTIGING | | 1 |
| 32 | 544 44 07-01 | KLINKNAGEL | | 2 |



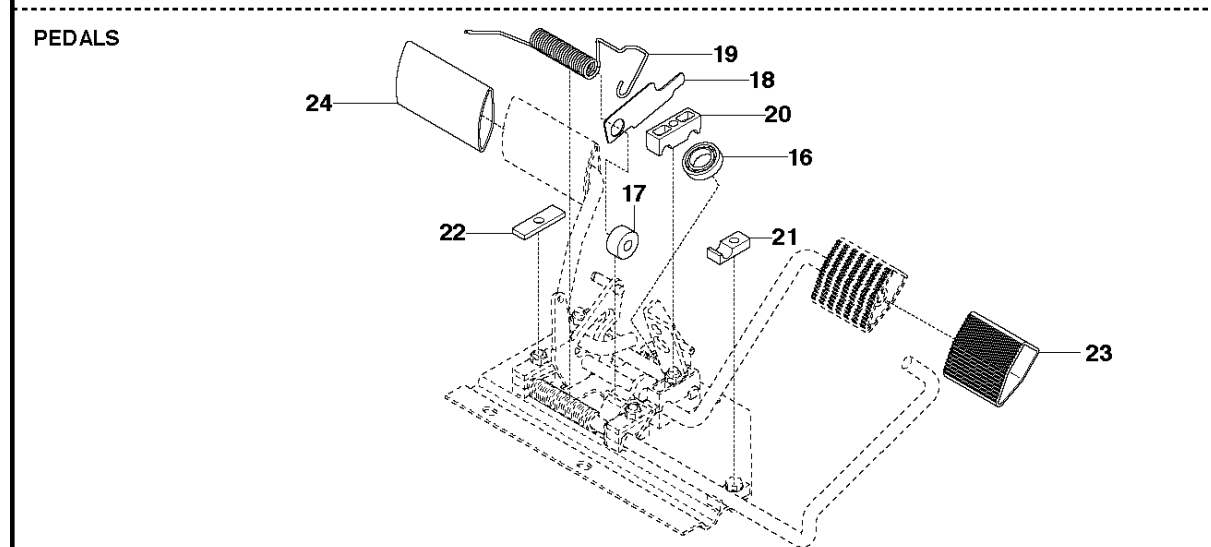
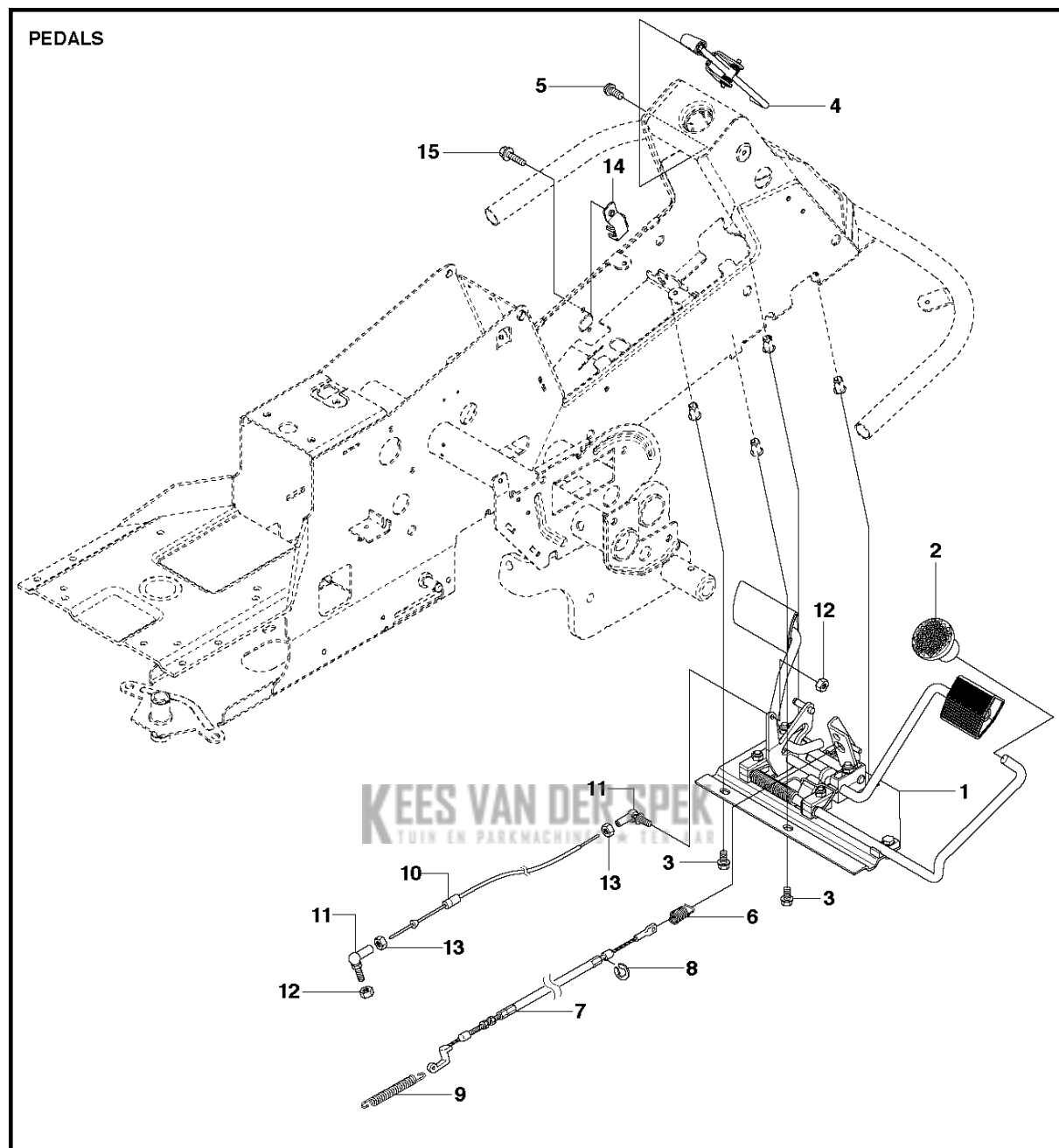
| Referentie | Onderdeel nr | Omschrijving | Opmerking | Aant KIT al |
|------------|--------------|---------------------|-----------|-------------|
| 1 | 501 01 86-02 | HEFSTANG COMPL. | | 1 |
| 2 | 506 55 65-01 | LAGER | | 2 |
| 3 | 525 40 66-01 | PENNEN | | 1 |
| 5 | 721 61 83-01 | SPLIT PIN | | 1 |
| 6 | 506 78 43-01 | SCHAKEL COMPL | | 1 |
| 7 | 725 24 97-51 | SCREW | | 1 |
| 8 | 731 23 20-51 | ZESKANT MOER | | 1 |
| 9 | 544 43 36-01 | HEFARM | | 1 |
| 10 | 725 25 42-51 | SCHROEF EHHM | | 1 |
| 11 | 732 25 22-01 | ZESKANTIGE BORGMOER | | 1 |
| 12 | 506 91 68-01 | VEER | | 1 |
| 13 | 506 90 56-01 | EXCENTRISCHE POELIE | | 2 |
| 14 | 506 90 57-01 | AS | | 1 |
| 15 | 506 90 57-02 | AS | | 1 |
| 16 | 735 31 18-20 | E-CLIP | | 2 |
| 17 | 506 55 46-07 | KETTING | | 1 |
| 18 | 506 55 47-01 | VERBINDING | | 1 |
| 19 | 544 93 42-01 | KETTINGSTOP | | 1 |
| 20 | 506 96 66-01 | HAIR PIN COTTER | | 1 |
| 21 | 544 45 69-01 | KOPPELINGSTANG | | 1 |
| 22 | 721 61 83-01 | SPLIT PIN | | 1 |
| 23 | 544 37 86-01 | SCHAKEL | | 1 |
| 24 | 735 31 14-20 | E-CLIP | | 1 |
| 25 | 544 44 88-01 | KOPPELINGSTANG | | 1 |
| 26 | 734 11 64-41 | RING | | 1 |
| 27 | 721 61 83-01 | SPLIT PIN | | 1 |



| Referentie | Onderdeel nr | Omschrijving | Opmerking | Aant KIT al |
|------------|--------------|-----------------|-----------|-------------|
| 1 | 535 50 14-02 | CONTROLE PLAAT | | 1 |
| 2 | 506 57 01-03 | SCHROEF EHHFM | | 4 |
| 3 | 504 73 45-01 | STELSCHROEF | | 1 |
| 4 | 506 54 20-02 | HENDEL | | 1 |
| 5 | 506 55 43-01 | LAGER | | 2 |
| 6 | 735 31 22-20 | E-CLIP | | 1 |
| 7 | 506 90 82-01 | HEIGHT ROD | | 1 |
| 8 | 506 78 46-01 | PENNEN | | 1 |
| 9 | 734 11 72-01 | RING | | 1 |
| 10 | 732 21 18-01 | LOCK NUT | | 1 |
| 11 | 731 23 18-01 | ZESKANT MOER | | 1 |
| 12 | 721 61 83-01 | SPLIT PIN | | 1 |
| 13 | 578 04 07-01 | SCHAKEL | | 1 |
| 14 | 506 57 01-05 | SCHROEF EHHFM | | 1 |
| 15 | 544 22 70-01 | KOPPELINGSTANG | | 1 |
| 16 | 721 61 83-01 | SPLIT PIN | | 1 |
| 17 | 506 91 87-02 | RING | | 1 |
| 18 | 578 15 56-02 | CONTROLE PANEEL | | 1 |

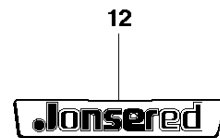
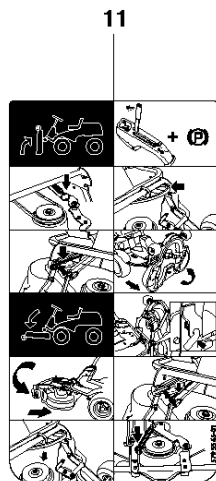
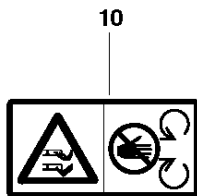
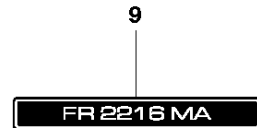
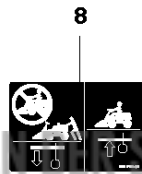
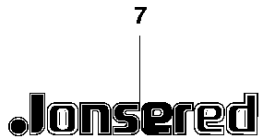
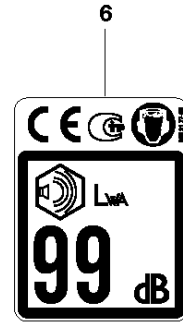
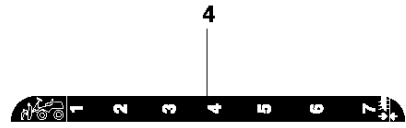
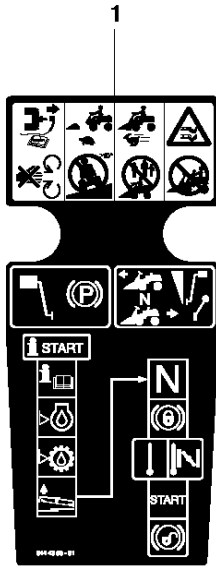


| Referentie | Onderdeel nr | Omschrijving | Opmerking | Aant KIT al |
|------------|--------------|---------------------|-----------|-------------|
| 1 | 580 91 93-01 | MOTOR | | 1 |
| 2 | 725 24 57-51 | SCREW | | 4 |
| 3 | 734 11 64-01 | RING | | 4 |
| 5 | 732 21 18-01 | LOCK NUT | | 8 |
| 6 | 580 66 13-02 | UITLAATPIJP | | 1 |
| 7 | 506 91 45-01 | PAKKING | | 1 |
| 8 | 506 55 63-01 | SCREW UNC | | 2 |
| 9 | 535 40 08-01 | GELUIDDEMPER COMPL. | | 1 |
| 10 | 725 23 68-61 | SCHROEF EHHFT | | 4 |
| 11 | 506 82 79-01 | GRASVERSPREIDER | | 1 |
| 12 | 722 79 23-09 | KLINKNAGEL | | 4 |
| 13 | 506 66 84-01 | CLAMP ASSY | | 1 |
| 14 | 581 62 77-01 | HITTEBESCHERMING | | 1 |
| 15 | 506 59 74-01 | SCHROEF EHHFM | | 2 |
| 16 | 506 83 94-01 | VEERRING | | 2 |
| 18 | 578 78 47-01 | MOTOR FRAME | | 1 |
| 19 | 506 81 01-01 | PLUG | | 2 |
| 20 | 506 57 01-04 | SCHROEF EHHFM | | 4 |
| 22 | 506 55 63-02 | SCREW UNC | | 1 |



| Referentie | Onderdeel nr | Omschrijving | Opmerking | Aant KIT al |
|------------|--------------|----------------------|-----------|----------------|
| 1 | 544 12 60-01 | PEDAALPLAAT COMPL. | | 1 |
| 2 | 535 47 37-01 | KNOP | | 1 |
| 3 | 506 57 01-04 | SCHROEF EHHFM | | 4 |
| 4 | 544 40 31-01 | REMHEFBOOM COMPL. | | 1 |
| 5 | 725 23 64-61 | SCHROEF EHHFT | | 2 |
| 6 | 506 94 63-01 | REMVEER | | 1 |
| 7 | 506 99 27-01 | REM KABEL | | 1 |
| 8 | 735 31 09-20 | E-CLIP | | 1 |
| 9 | 506 53 56-03 | TREKVEER | | 1 |
| 10 | 574 41 11-01 | BEDIENINGS KABEL | | 1 |
| 11 | 506 55 73-01 | VINKELL.AS8 DIN71802 | | 2 |
| 12 | 732 21 14-01 | LOCK NUT | | 2 |
| 13 | 731 23 14-01 | ZESKANT MOER | | 2 |
| 14 | 522 43 08-01 | BEVESTIGING | | 1 |
| 15 | 725 23 64-61 | SCHROEF EHHFT | | 1 |
| 16 | 738 21 02-04 | KOGELLAGER | | 1 1 |
| 17 | 535 48 02-01 | ROL | | 1 1 |
| 18 | 535 48 06-01 | BESCHERMINGSPLAAT | | 1 1 |
| 19 | 535 48 07-01 | VEER | | 1 1 |
| 20 | 535 48 08-01 | LAGERBLOK | | 4 1 |
| 21 | 535 48 09-01 | LAGERBLOK | | 1 1 |
| 22 | 535 48 10-01 | VERSTEVIGINGSPLAAT | | 1 1 |
| 23 | 535 47 88-01 | PEDAL RUBBER | | 1 1 |
| 24 | 535 47 88-02 | PEDAL RUBBER | | 1 1 |
| 25 | 506 56 65-01 | KLEM | | 1 |
| 26 | 725 23 64-61 | SCHROEF EHHFT | | 1 |

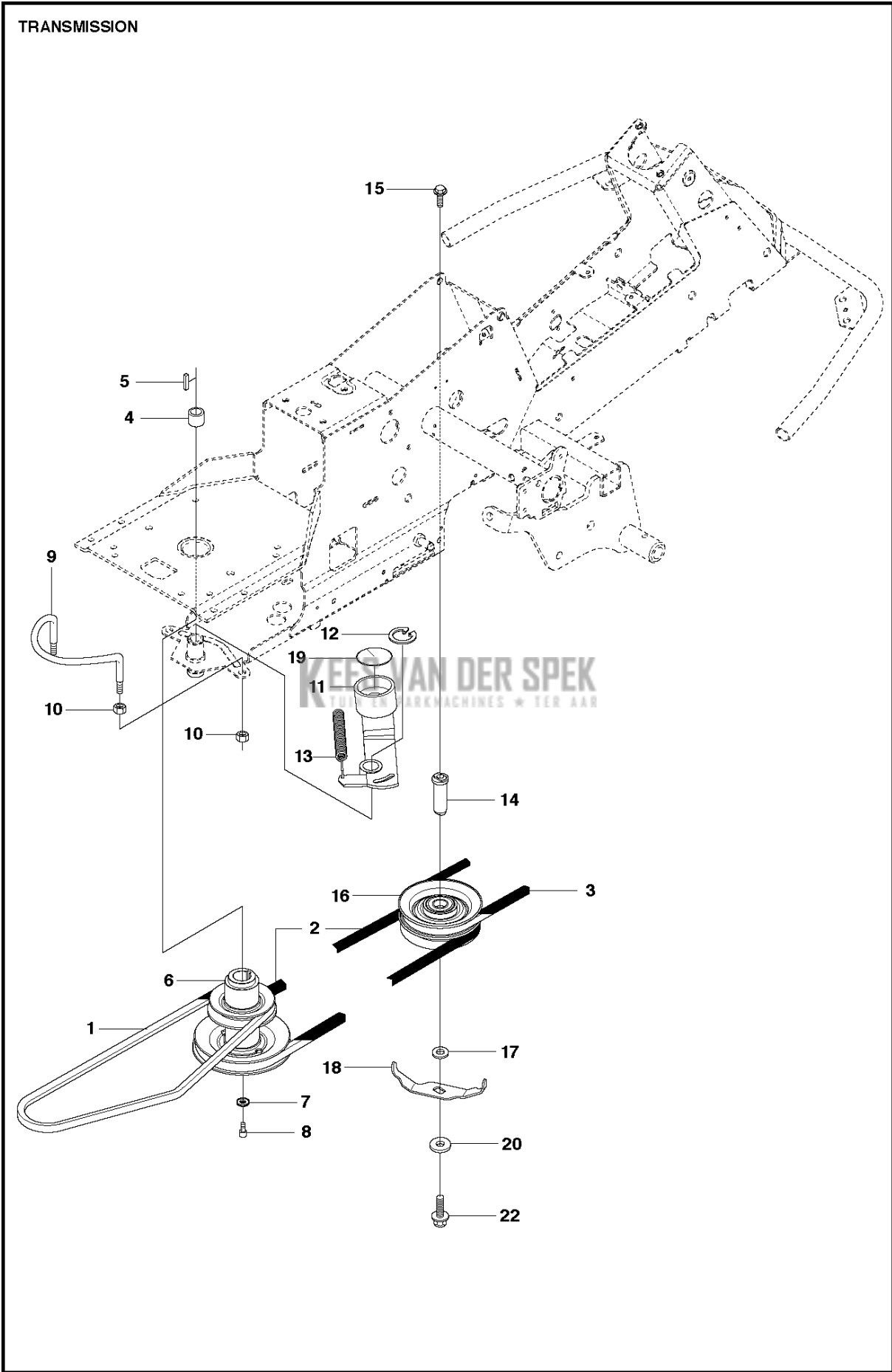
DECALS



KEES VAN DER SPEK
TUIN EN PARKMACHINES - TER AAR

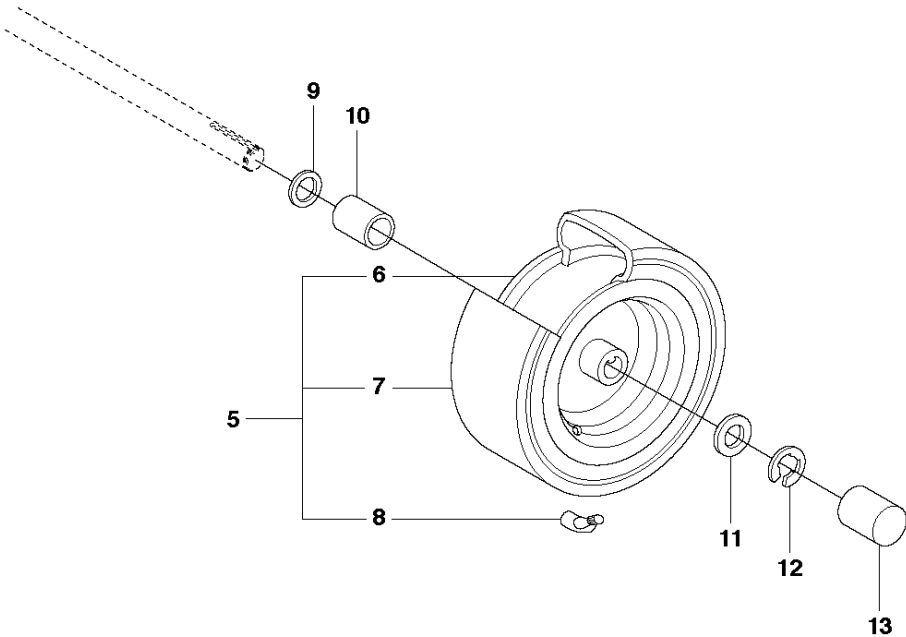
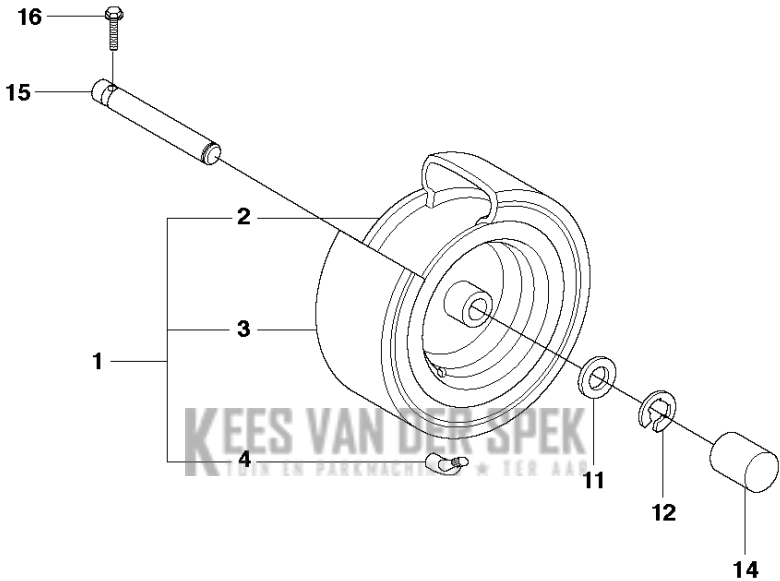
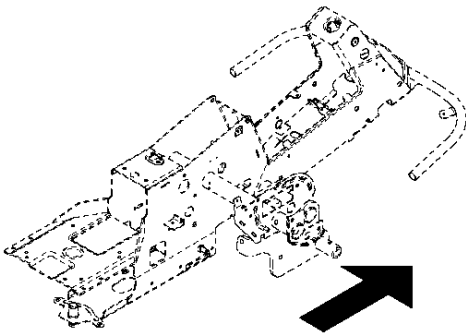
| Referentie | Onderdeel nr | Omschrijving | Opmerking | Aant KIT al |
|------------|--------------|--------------|-----------|-------------|
| 1 | 544 43 86-01 | PLAATJE | | 1 |
| 2 | 502 29 14-01 | PLAATJE | | 1 |
| 3 | 544 43 88-02 | PLAATJE | | 1 |
| 4 | 544 43 90-03 | PLAATJE | | 1 |
| 5 | 544 43 92-02 | PLAATJE | | 1 |
| 6 | 505 21 77-05 | PLAATJE | | 1 |
| 7 | 535 43 47-01 | STICKER | | 3 |
| 8 | 544 21 14-01 | PLAATJE | | 1 |
| 9 | 502 29 21-10 | PLAATJE | | 1 |
| 10 | 574 51 00-01 | STICKER | | 1 |
| 11 | 579 55 65-01 | STICKER | | 1 |
| 12 | 574 21 05-01 | STICKER | | 1 |

| Referentie | Onderdeel nr | Omschrijving | Opmerking | Aant KIT al |
|------------|--------------|---------------------|-----------|----------------|
| 1 | 506 98 63-01 | TRANSMISSIE | | 1 |
| 2 | 506 98 65-01 | VEERRING | | 1 |
| 3 | 506 98 66-01 | AFSTAND | | 2 |
| 4 | 502 45 19-01 | POELIE | | 1 |
| 5 | 506 98 68-01 | VENTILATOR | | 1 |
| 6 | 735 31 15-00 | BORGCLIP | | 1 |
| 7 | 502 45 16-01 | PIJP | | 1 |
| 8 | 506 98 70-01 | SLANGKLEM | | 2 |
| 9 | 535 40 28-07 | KLEM | | 1 1 |
| 10 | 535 40 28-32 | PLUG | | 1 1 |
| 11 | 535 40 28-29 | MAGNEET | | 1 1 |
| 12 | 502 45 20-01 | MAGNET HOLDER | | 1 1 |
| 13 | 535 40 28-37 | AFDICHTING | | 2 1 |
| 14 | 502 45 32-01 | CONTROLE HEFBOOM | | 1 1 |
| 15 | 535 40 28-09 | PIN RETAINING SCREW | | 1 1 |
| 16 | 535 40 28-17 | HEFBOOM | | 1 1 |
| 17 | 535 40 28-16 | PIN RETAINING SCREW | | 1 1 |
| 18 | 535 40 28-33 | PIN RETAINING SCREW | | 1 1 |
| 19 | 535 40 28-38 | HEFBOOM | | 1 1 |
| 20 | 535 40 28-39 | RETURN SPRING | | 1 1 |
| 21 | 535 40 28-40 | PIN RETAINING SCREW | | 1 1 |
| 22 | 535 40 28-41 | PIN RETAINING SCREW | | 1 1 |

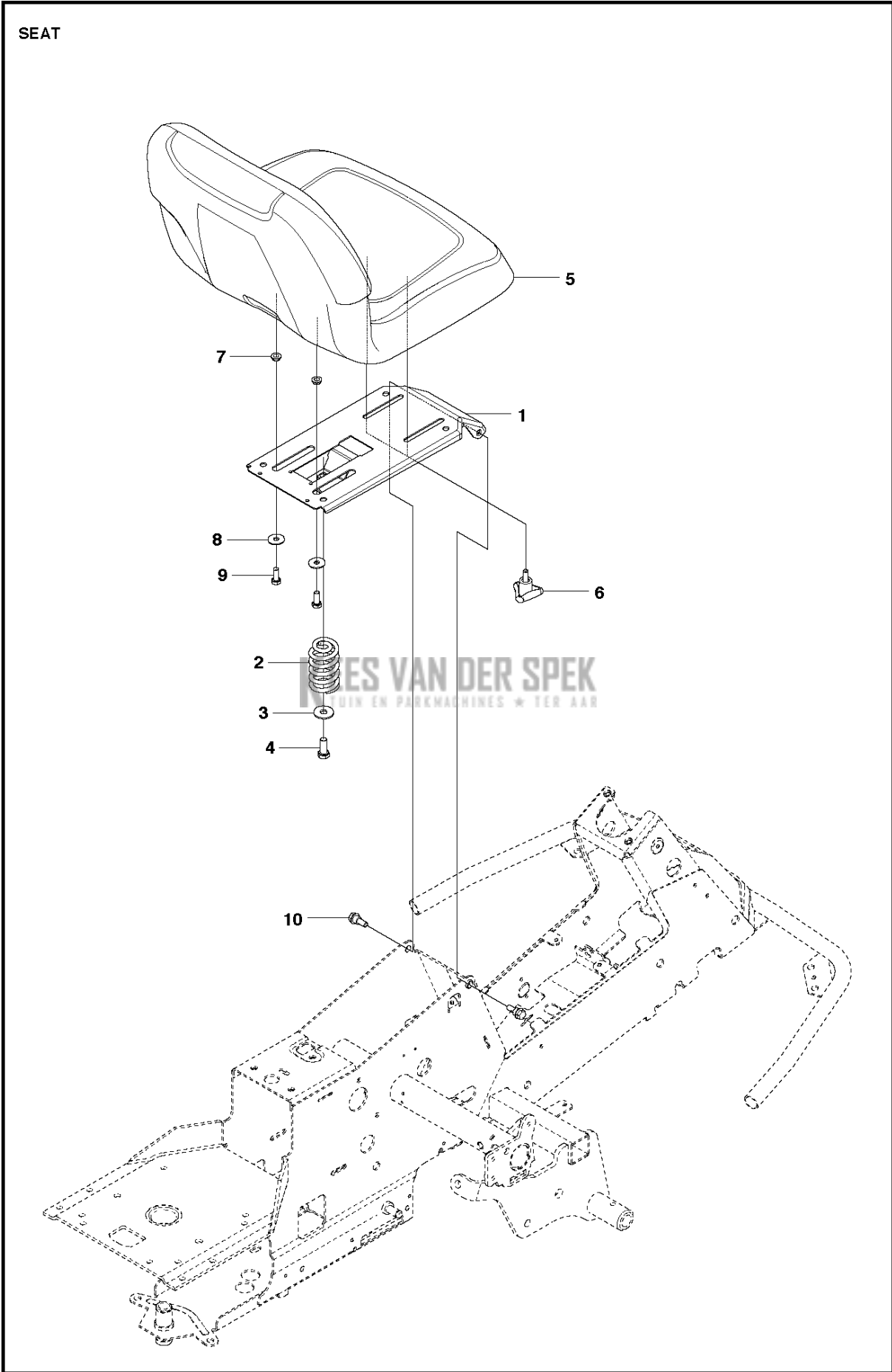


| Referentie | Onderdeel nr | Omschrijving | Opmerking | Aant KIT al |
|------------|--------------|--------------------|-----------|-------------|
| 1 | 589 53 12-01 | RIEM | | 1 |
| 2 | 589 53 04-01 | RIEM | | 1 |
| 3 | 589 53 00-01 | RIEM | | 1 |
| 4 | 506 50 92-01 | AFSTANDHULS | | 1 |
| 5 | 506 55 59-01 | KEG | | 1 |
| 6 | 535 48 24-01 | POELIE | | 1 |
| 7 | 506 59 75-01 | RING | | 1 |
| 8 | 506 55 60-02 | SCREW UNC | | 1 |
| 9 | 587 42 52-01 | RIEMGELEIDER | | 1 |
| 10 | 732 21 20-51 | MOER | | 2 |
| 11 | 535 48 44-01 | RIEMSPANNER COMPL. | | 1 |
| 12 | 735 31 26-00 | BORGCLIP | | 1 |
| 13 | 506 66 56-01 | VEER | | 1 |
| 14 | 581 91 64-01 | AS | | 1 |
| 15 | 506 67 54-02 | SCHROEF EHHFM | | 1 |
| 16 | 535 48 22-01 | MELLANHJUL | | 1 |
| 17 | 725 24 93-71 | SCHROEF EHHM | | 2 |
| 18 | 544 40 53-01 | RIEMGELEIDER | | 1 |
| 19 | 535 48 50-01 | AFDICHTING | | 1 |
| 20 | 586 32 02-01 | AFSTAND | | 1 |
| 22 | 586 32 04-01 | SCREW | | 1 |

WHEELS & TIRES



| Referentie | Onderdeel nr | Omschrijving | Opmerking | Aant KIT al |
|------------|--------------|-------------------|-----------|-------------|
| 1 | 523 01 22-01 | WIEL | | 2 |
| 2 | 523 03 45-01 | VELG | | 1 |
| 3 | 523 03 46-01 | BAND | | 1 |
| 4 | 523 03 47-01 | VENTIEL | | 1 |
| 5 | 523 01 26-01 | WIEL | | 2 |
| 6 | 523 03 48-01 | VELG | | 1 |
| 7 | 523 03 46-01 | BAND | | 1 |
| 8 | 523 03 47-01 | VENTIEL | | 1 |
| 9 | 506 50 48-03 | RING | | 2 |
| 10 | 506 59 62-03 | AFSTANDHULS | | 2 |
| 11 | 506 50 48-05 | RING | | 4 |
| 12 | 506 89 90-01 | E-CLIP | | 4 |
| 13 | 506 92 30-01 | RUND FOT UKB 30 S | | 2 |
| 14 | 506 95 58-01 | KOP | | 2 |
| 15 | 535 47 08-01 | WIELAS | | 2 |
| 16 | 725 24 59-61 | SCHROEF EHHFT | | 2 |



| Referentie | Onderdeel nr | Omschrijving | Opmerking | Aant KIT al |
|------------|--------------|--------------------|-----------|-------------|
| 1 | 587 15 27-02 | ZITTINGBEVESTIGING | | 1 |
| 2 | 506 91 53-01 | DRUKVEER | | 1 |
| 3 | 734 11 74-41 | RING | | 1 |
| 4 | 725 24 93-71 | SCHROEF EHHM | | 1 |
| 5 | 587 39 31-01 | ZITTING | | 1 |
| 6 | 585 06 52-02 | KNOP | | 2 |
| 7 | 506 56 53-01 | BUSHING | | 2 |
| 8 | 734 11 64-41 | RING | | 2 |
| 9 | 725 24 51-71 | SCHROEF EHHM | | 2 |
| 10 | 506 59 74-01 | SCHROEF EHHFM | | 2 |