

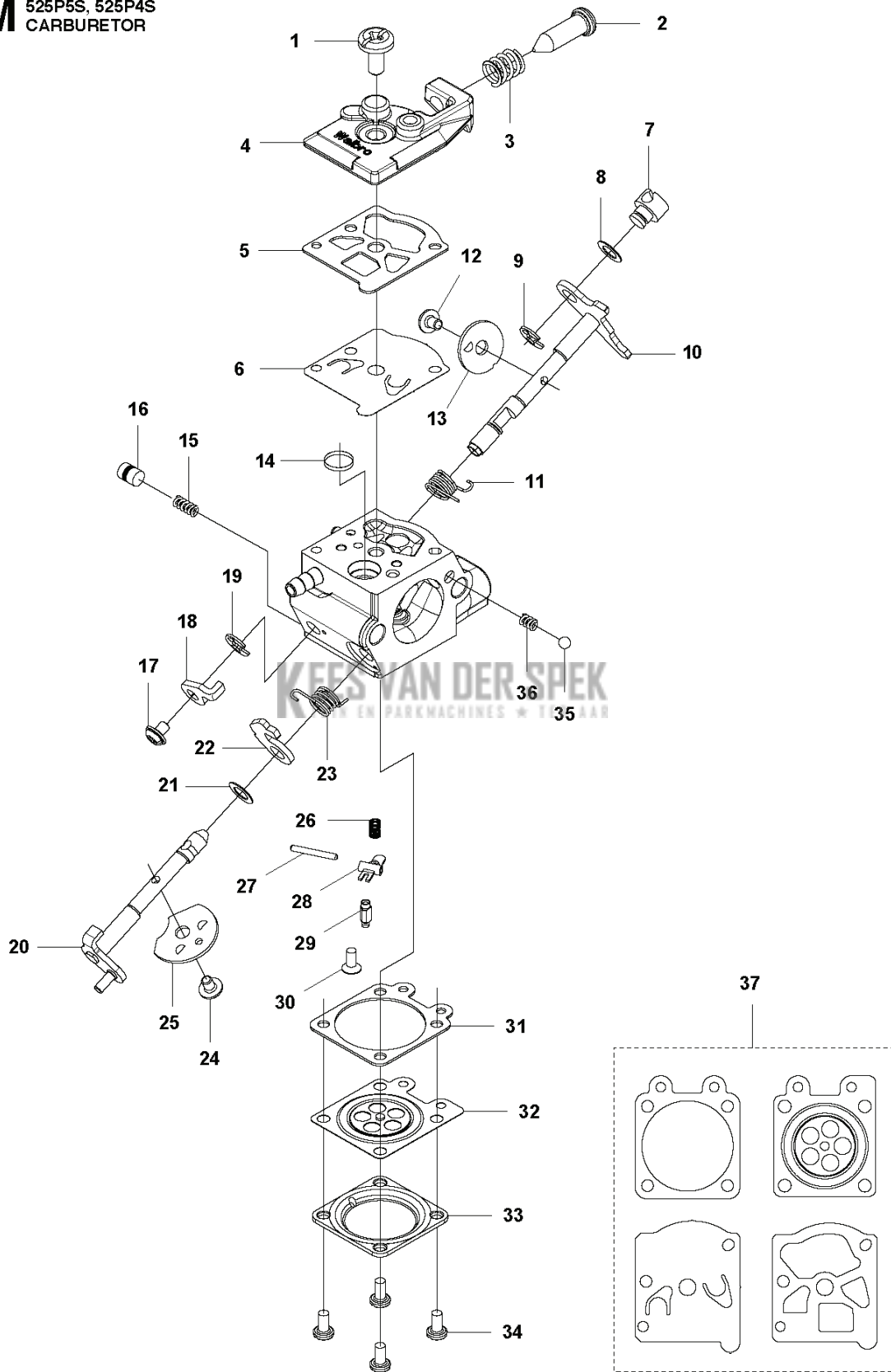
SPARE PARTS CATALOGUE
: HUSQVARNA 525P4S

KEES VAN DER SPEK
TUIN EN PARKMACHINES * TER AAR

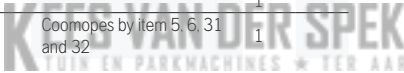
Spare Parts List

SPARE PARTS LIST

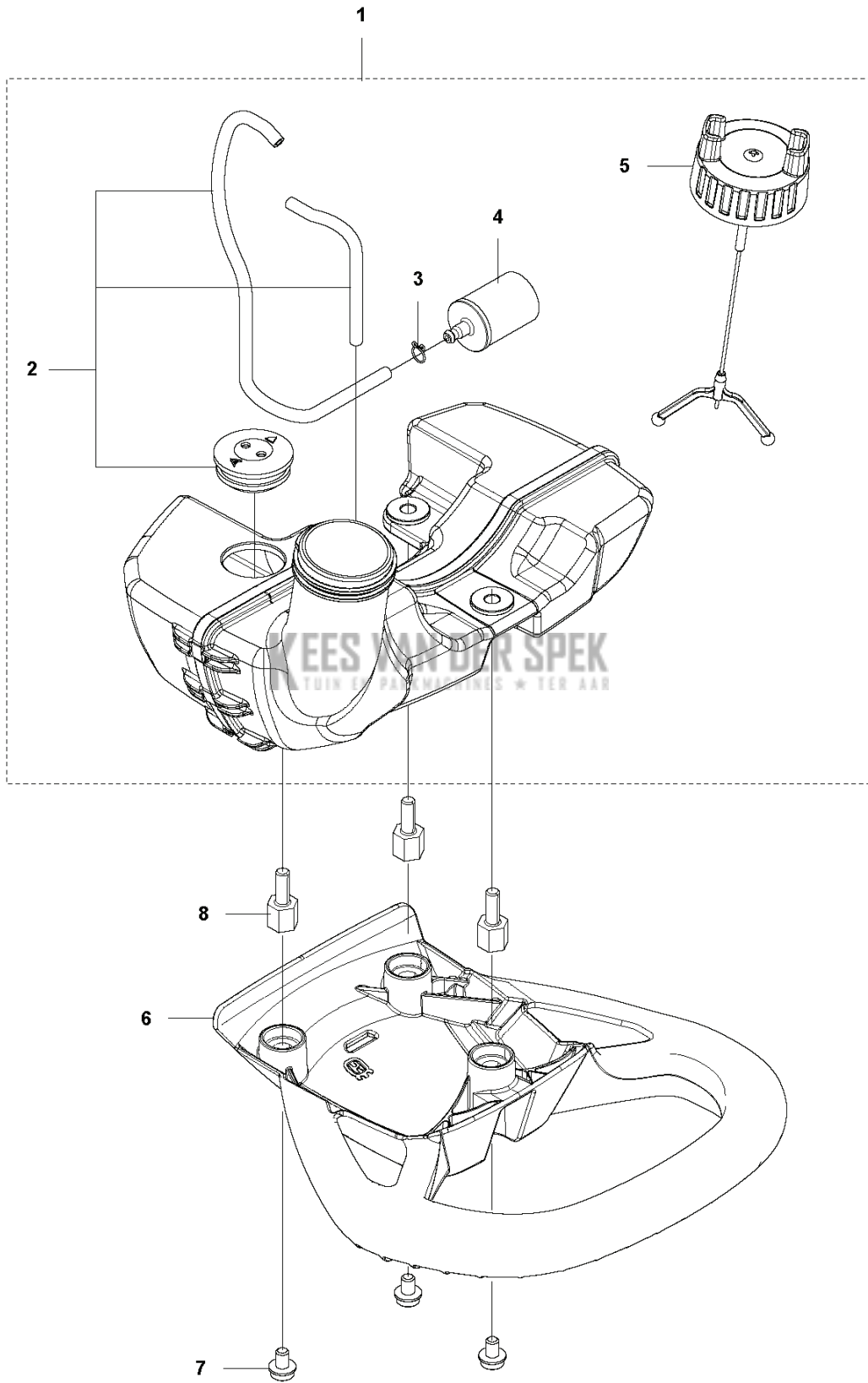
M 525P5S, 525P4S
CARBURETOR



| PXM_REF | PXM_PARTNO | DESCRIPTION | PXM_REMARK | QTY. |
|---------|------------|---------------|------------|------|
| 1 | 520976301 | SCREW | | 1 |
| 2 | 577815701 | SCREW | | 1 |
| 3 | 513593201 | VEER | | 1 |
| 4 | 579190601 | DEKSEL | | 1 |
| 5 | 520954801 | PAKKING | | 1 |
| 6 | 504130807 | MEMBRAAN POMP | | 1 |
| 7 | 513400801 | DRAAIEN | | 1 |
| 8 | 516524201 | RING | | 1 |
| 9 | 506738601 | RETAINER RING | | 1 |
| 10 | 579190701 | AS | | 1 |
| 11 | 577815501 | VEER | | 1 |
| 12 | 520759801 | SCREW | | 1 |
| 13 | 520978601 | VENTIEL | | 1 |
| 14 | 520957001 | VIZIER | | 1 |
| 15 | 505057901 | VEER | | 1 |
| 16 | 584901201 | ZUIGER COMPL. | | 1 |
| 17 | 520759801 | SCREW | | 1 |
| 18 | 579190801 | HEFBOOM | | 1 |
| 19 | 505056501 | RING | | 1 |
| 20 | 579191001 | AS | | 1 |
| 21 | 516524201 | RING | | 1 |
| 22 | 584901301 | HEFBOOM | | 1 |
| 23 | 579191101 | VEER | | 1 |
| 24 | 520759801 | SCREW | | 1 |
| 25 | 581154901 | VENTIEL | | 1 |
| 26 | 578895401 | VEER | | 1 |
| 27 | 520977401 | PEN | | 1 |
| 28 | 577807201 | HEFBOOM | | 1 |
| 29 | 521085401 | VALVE INLET | | 1 |
| 30 | 577807101 | SCREW | | 1 |
| 31 | 516972101 | PAKKING | | 1 |
| 32 | 577807001 | MEMBRAAN | | 1 |
| 33 | 514189201 | DEKSEL | | 1 |
| 34 | 520978801 | SCREW ASSY | | 4 |
| 35 | 514242601 | KOGEL | | 1 |
| 36 | 514243301 | SPRING.CHOKE | | 1 |
| 37 | 580684801 | PAKKINGSET | | 1 |

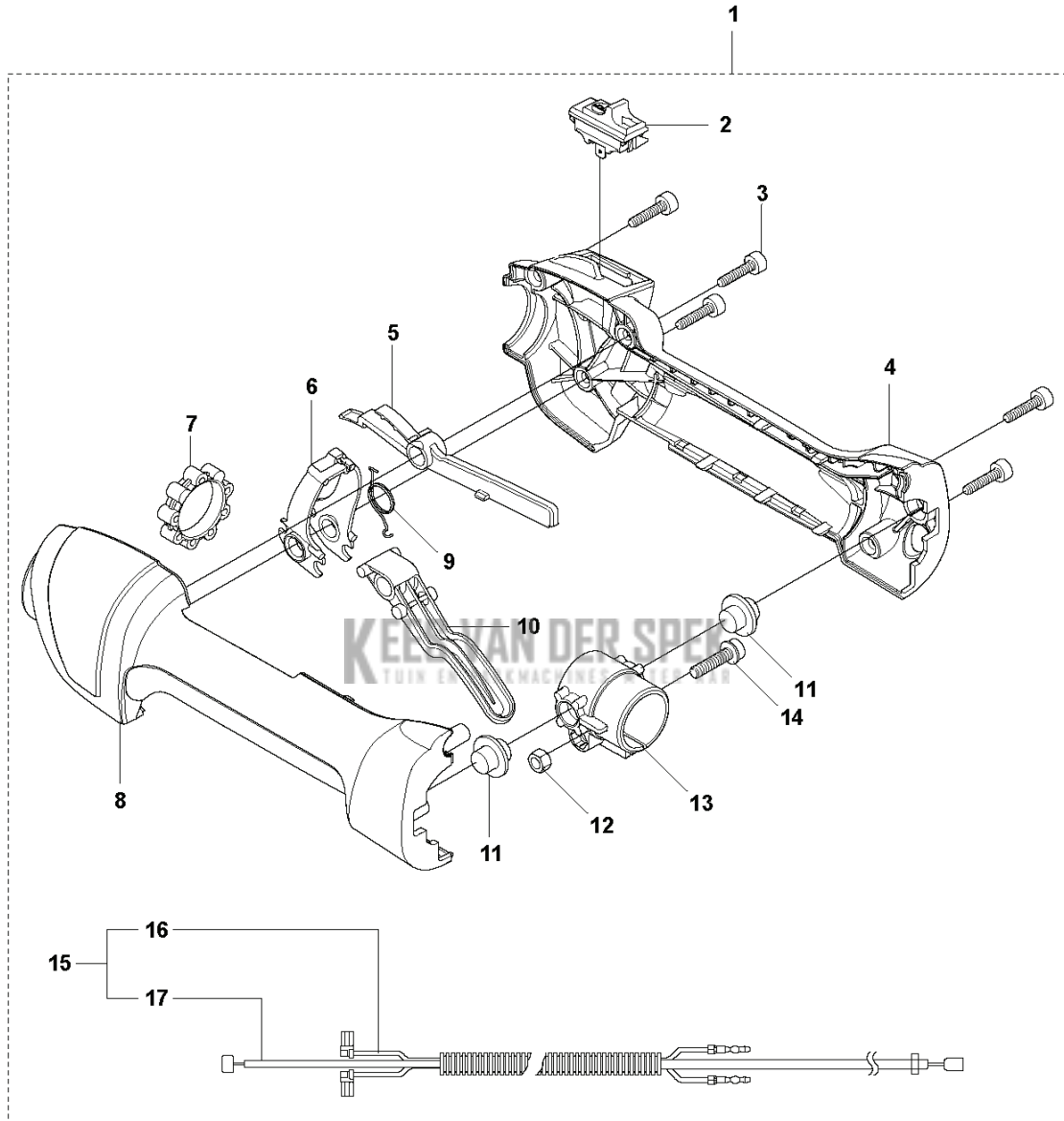

 Coomodes by Item 5, 6, 31
 and 32

H 525P5S, 525P4S
FUEL TANK



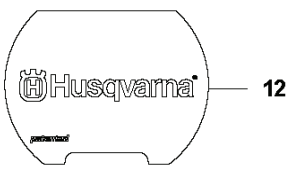
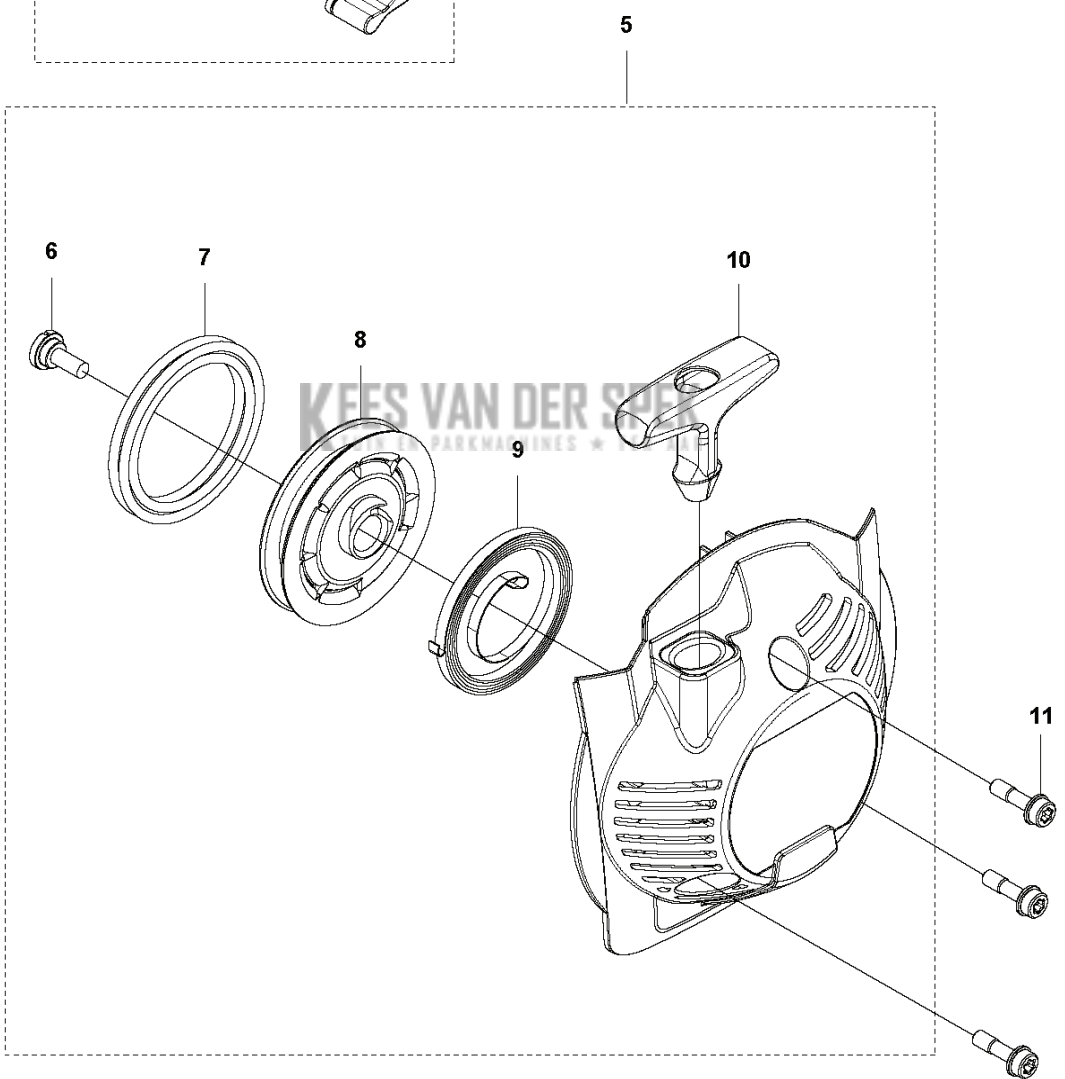
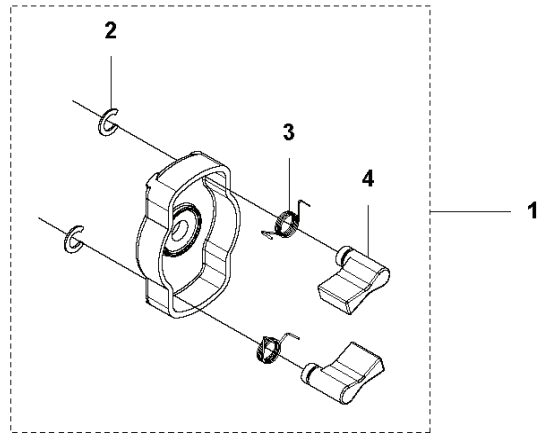
| PXM_REF | PXM_PARTNO | DESCRIPTION | PXM_REMARK | QTY. |
|---------|------------|-----------------|-------------------------|------|
| 1 | 576405102 | BRANDSTOFTANK | Australia / New Zealand | 1 |
| 1 | 576405101 | BRANDSTOFTANK | | 1 |
| 2 | 579210302 | SLANG COMPL. | | 1 |
| 2 | 577509903 | PIJP | Australia / New Zealand | 1 |
| 3 | 506707001 | KLEM | | 1 |
| 4 | 503443201 | BRANDSTOFFILTER | | 1 |
| 5 | 579645706 | TANKDEKSEL | | 1 |
| 6 | 587365901 | BUMPER | | 1 |
| 7 | 525755108 | SCHROEF ITXSCFM | | 3 |
| 8 | 587615601 | TAPEIND SCHROEF | | 3 |

C 525P5S, 525P4S
THROTTLE CONTROLS



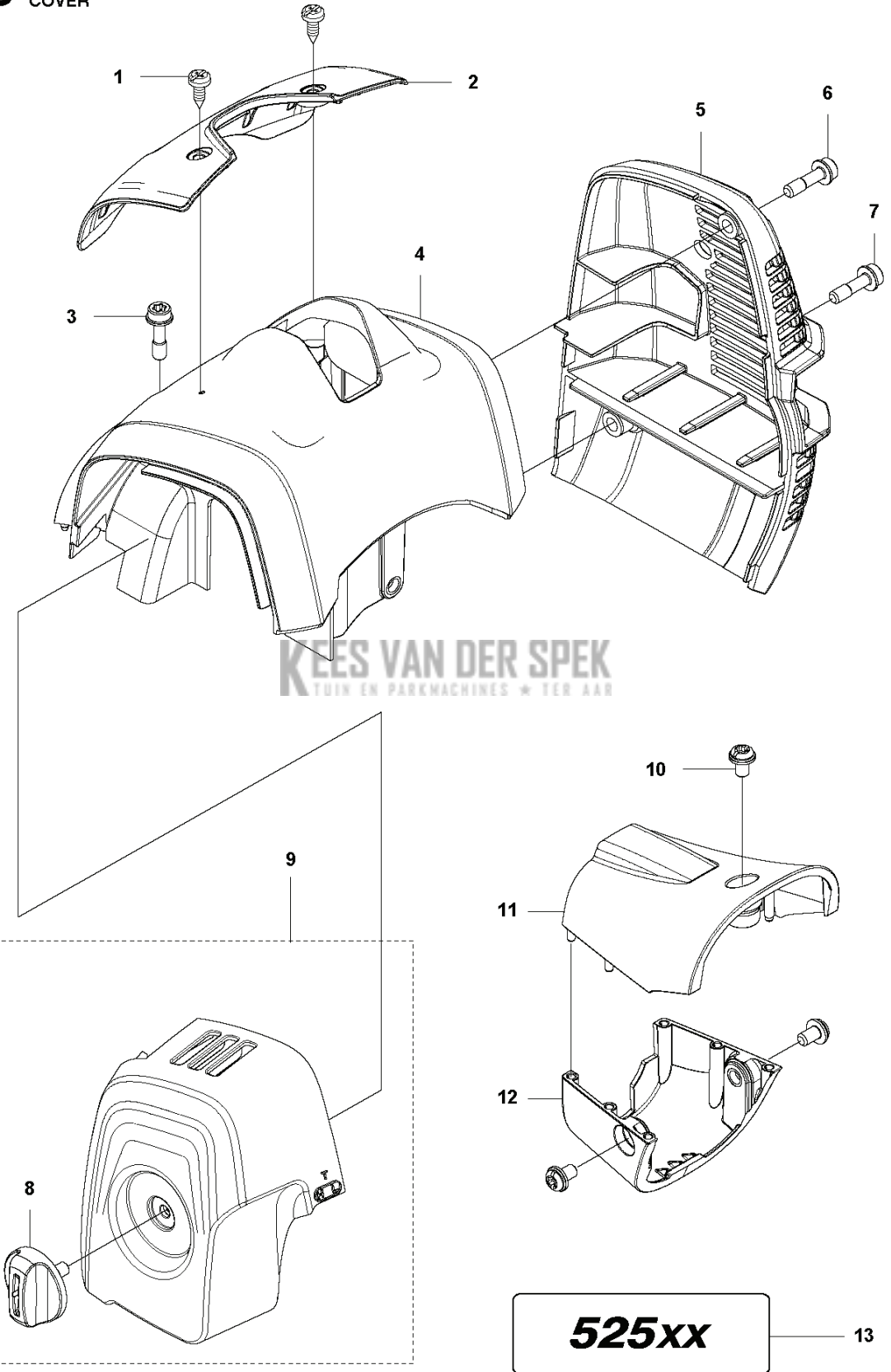
| PXM_REF | PXM_PARTNO | DESCRIPTION | PXM_REMARK | QTY. |
|---------|------------|------------------|--------------------------|------|
| 1 | 578279501 | GASHEVEL | L, LS, LST, RJX | 1 |
| 1 | 578279502 | GASHEVEL | LK, RJD, (LST Australia) | 1 |
| 2 | 537419001 | SCHAKELAAR | | 1 |
| 3 | 575960501 | SCHROEF IHSCT | | 5 |
| 4 | 544238401 | HANDGREEPELFT | L, LS, LST, RJX | 1 |
| 4 | 544100202 | HANDGREEPELFT | LK, RJD, (LST Australia) | 1 |
| 5 | 503878001 | GASVERGREDELING | | 1 |
| 6 | 503918101 | GASHEFBOOM | | 1 |
| 7 | 503961401 | SCHOKDEMPER | | 1 |
| 8 | 544238501 | HANDGREEPELFT | L, LS, LST, RJX | 1 |
| 8 | 544100302 | HANDGREEPELFT | LK, RJD, (LST Australia) | 1 |
| 9 | 544100801 | RETOURVEER | | 1 |
| 10 | 503877903 | THROTTLE TRIGGER | | 1 |
| 11 | 544101702 | DEMPER | LK, RJD, (LST Australia) | 2 |
| 11 | 544101703 | DEMPER | L, LS, LST, RJX | 2 |
| 12 | 731231401 | ZESKANT MOER | | 1 |
| 13 | 544112101 | HOUDER | | 1 |
| 14 | 506689001 | BOUT | | 1 |
| 15 | 578279601 | BEKABELING | | 1 |
| 16 | 502531601 | KORTSLUITKABEL | | 1 |
| 17 | 578867801 | GASKABEL | | 1 |

F 525P5S, 525P4S
STARTER



| PXM_REF | PXM_PARTNO | DESCRIPTION | PXM_REMARK | QTY. |
|---------|------------|-------------|------------|------|
| 1 | 581146501 | KOORDSCHIJF | | 1 |
| 2 | 521600401 | E-RING | | 2 |
| 3 | 521600301 | VEER | | 2 |
| 4 | 521600201 | RATEL | | 2 |
| 5 | 578992501 | STARTER | | 1 |
| 6 | 506613001 | SCREW | | 1 |
| 7 | 579064601 | TOUW | | 1 |
| 8 | 579064801 | KOORDSCHIJF | | 1 |
| 9 | 504115001 | SPIRAALVEER | | 1 |
| 10 | 575489501 | STARHANDVAT | | 1 |
| 11 | 577815401 | BOUT | | 3 |
| 12 | 579369601 | STICKER | | 1 |

D 525P5S, 525P4S
COVER

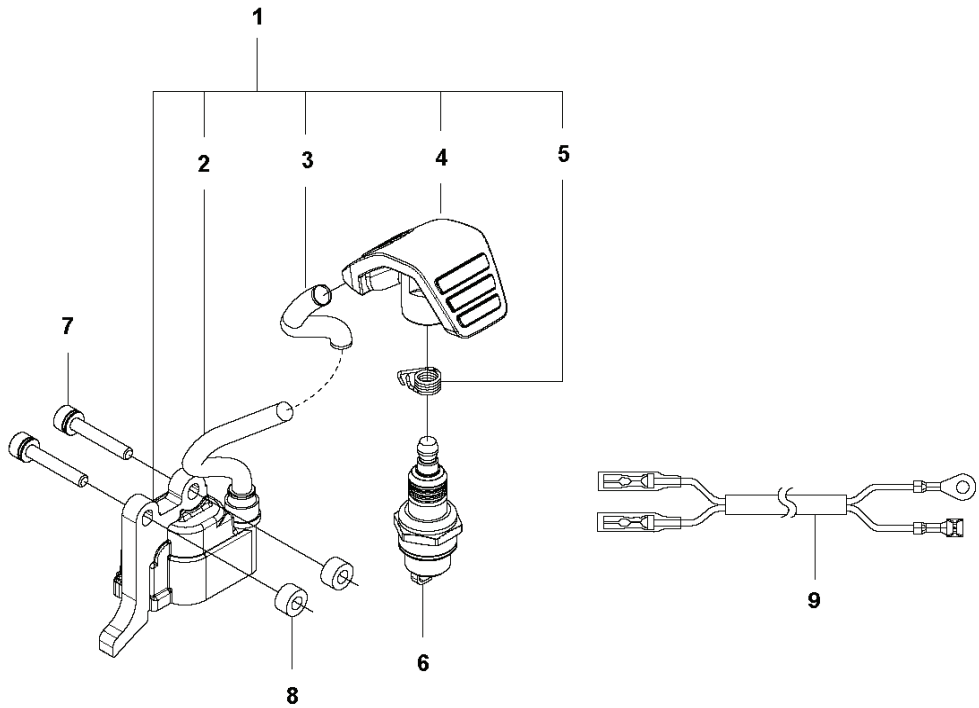


KEES VAN DER SPEK
TUIN EN PARKMACHINES * TER AAR

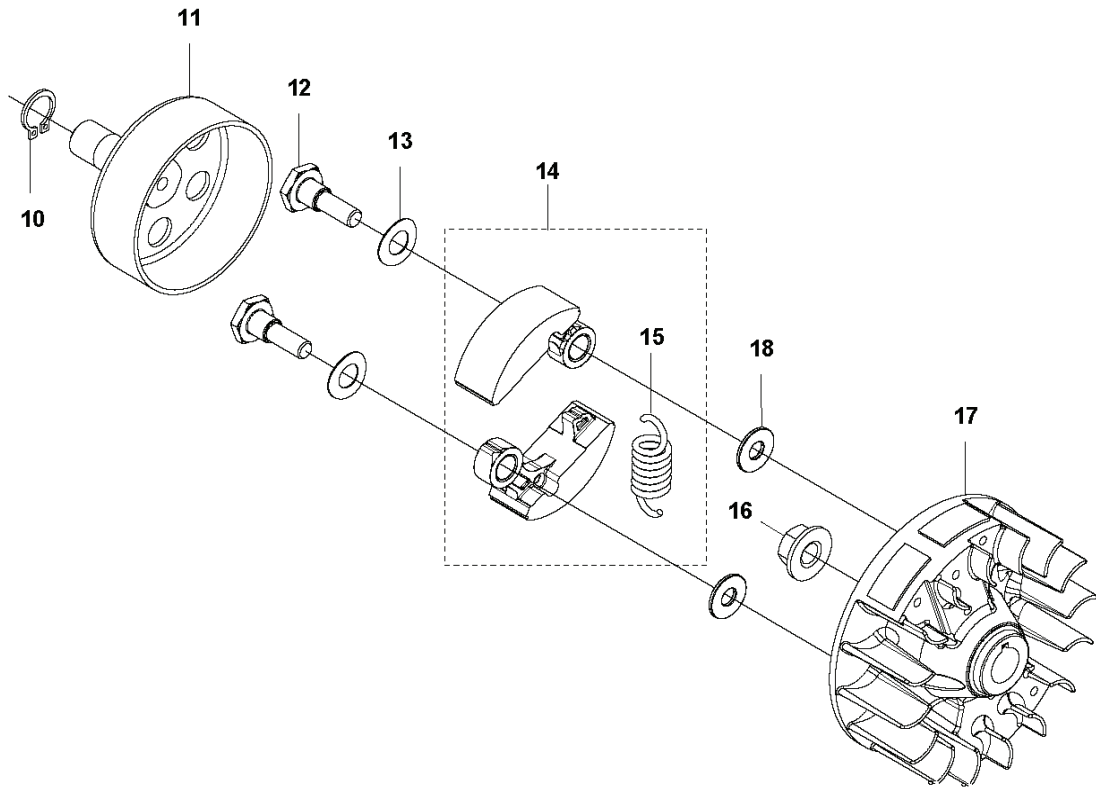
525xx

| PXM_REF | PXM_PARTNO | DESCRIPTION | PXM_REMARK | QTY. |
|---------|------------|--------------------|--------------------------|------|
| 1 | 503213512 | SCHROEF CCRPANT | | 2 |
| 2 | 576404501 | ARMBESCHERMING | | 1 |
| 3 | 577815401 | BOUT | | 1 |
| 4 | 592810901 | CILINDERDEKSEL | | 1 |
| 5 | 576404701 | UITLAAT BESCHERMER | | 1 |
| 6 | 577815401 | BOUT | | 1 |
| 7 | 577815401 | BOUT | | 1 |
| 8 | 576992402 | KNOP | | 1 |
| 9 | 581047301 | FILTERDEKSEL COMPL | | 1 |
| 10 | 544256801 | SCREW | | 3 |
| 11 | 577848201 | DEKSEL | 524L, 525L, LS, LST, RJD | 1 |
| 11 | 577851101 | DEKSEL | RS | 1 |
| 12 | 577851001 | DEKSEL | RS | 1 |
| 12 | 577848101 | DEKSEL | 524L, 525L, LS, LST, RJD | 1 |
| 13 | 579445806 | STICKER | 525L | 1 |

J 525P5S, 525P4S
IGNITION SYSTEM & CLUTCH



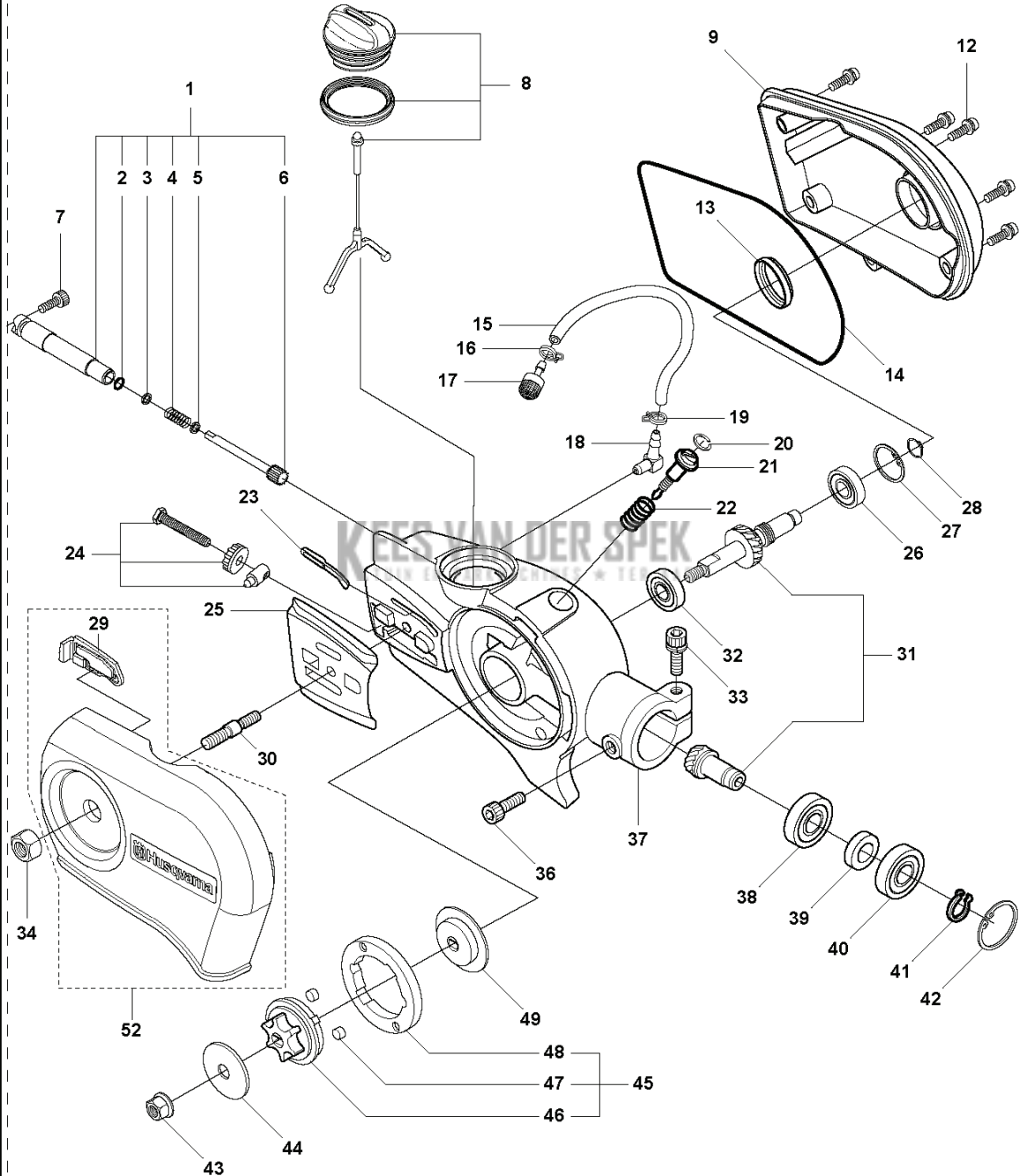
KEES VAN DER SPEK
TUIN EN PARKMACHINES * TER AAR



| PXM_REF | PXM_PARTNO | DESCRIPTION | PXM_REMARK | QTY. |
|---------|------------|-------------------|-----------------|------|
| 1 | 588141501 | BOBINE | | 1 |
| 2 | 584826601 | ONTSTEKINGSKABEL | | 1 |
| 3 | 579590701 | PIJP | | 1 |
| 4 | 586107201 | BOUGIEDOP | | 1 |
| 5 | 580634801 | VEER | | 1 |
| 6 | 584968101 | BOUGIE | Husqvarna HQT-2 | 1 |
| 7 | 521515801 | BOUT | | 2 |
| 8 | 588171401 | AFSTANDRING | | 2 |
| 9 | 577851701 | KORTSLUITKABEL | | 1 |
| 10 | 516124101 | BORGRING | | 1 |
| 11 | 581142001 | KOPPELINGSTROMMEL | | 1 |
| 12 | 513189601 | SCREW | | 2 |
| 13 | 521758201 | RING | | 2 |
| 14 | 577052801 | KOPPELING COMPL. | | 1 |
| 15 | 576400701 | KOPPELINGSVEER | | 1 |
| 16 | 504118001 | MOER | | 1 |
| 17 | 578967801 | VLEGGWIEL | | 1 |
| 18 | 505054401 | RING | | 2 |

A 525P5S, 525P4S
SAW HEAD

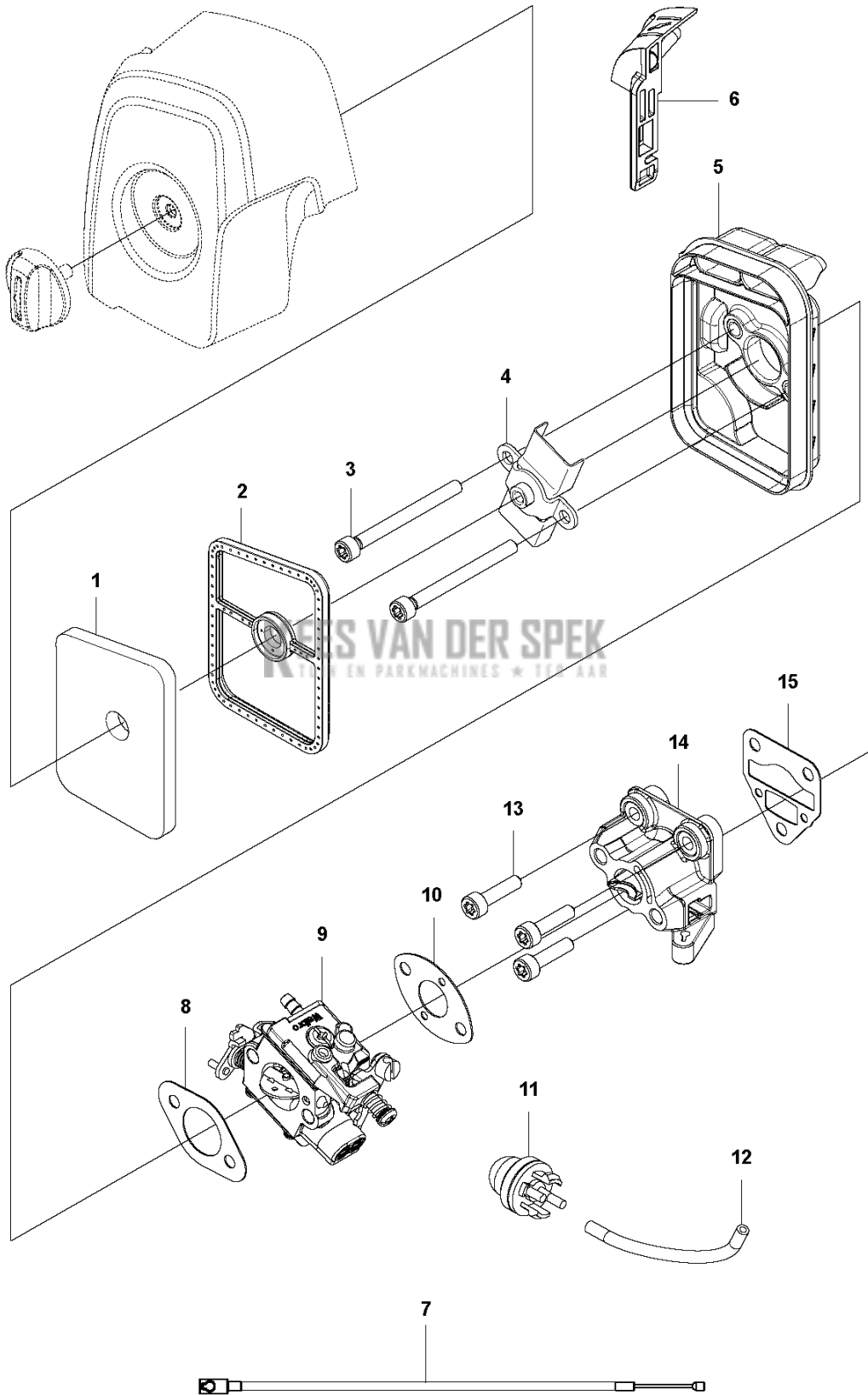
53



| PXM_REF | PXM_PARTNO | DESCRIPTION | PXM_REMARK | QTY. |
|---------|------------|----------------------|------------|------|
| 1 | 537299201 | OLIEPOMP COMPL. | | 1 |
| 2 | 740420300 | O-RING | | 1 |
| 3 | 503230016 | RING | | 1 |
| 4 | 503184903 | VEER | | 1 |
| 5 | 503230016 | RING | | 1 |
| 6 | 503808302 | POMPZUIGER | | 1 |
| 7 | 725532755 | SCHROEF IHSCM | | 1 |
| 8 | 537281502 | TANKDEKSEL COMPL. | | 1 |
| 9 | 593620401 | CAP ASSY | | 1 |
| 12 | 725532955 | SCHROEF IHSCM | | 5 |
| 13 | 537330101 | AFDICHTING | | 1 |
| 14 | 537291001 | O-RING | | 1 |
| 15 | 537291101 | SLANG | | 1 |
| 16 | 537371501 | SLANGKLEM | | 1 |
| 17 | 504710003 | OLIELOOD | | 1 |
| 18 | 504340004 | FITTING | | 1 |
| 19 | 537371501 | SLANGKLEM | | 1 |
| 20 | 537290901 | BORGCLIP | | 1 |
| 21 | 537056801 | STELSCHROEF | | 1 |
| 22 | 503978201 | VEER | | 1 |
| 23 | 537331701 | OLIELEIDING | | 1 |
| 24 | 537228201 | KETTINGSPANNER | | 1 |
| 25 | 537194201 | KETTINGGELEIDERPLAAT | | 1 |
| 26 | 738210004 | KOGELLAGER | | 1 |
| 27 | 735312710 | BORGCLIP | | 1 |
| 28 | 735311200 | BORGCLIP | | 1 |
| 29 | 575553701 | AFDICHTINGSPLAAT | | 1 |
| 30 | 576293001 | ZAAGBLADBOUT | M7-M8 | 1 |
| 31 | 537299001 | TANDWIELSET | | 1 |
| 32 | 738219904 | KOGELLAGER | | 1 |
| 33 | 725533355 | SCHROEF IHSCM | | 1 |
| 34 | 731231801 | ZESKANT MOER | | 1 |
| 36 | 725532755 | SCHROEF IHSCM | | 1 |
| 37 | 537227401 | HUIS | | 1 |
| 38 | 738219904 | KOGELLAGER | | 1 |
| 39 | 537247701 | AFSTANDRING | | 1 |
| 40 | 738219904 | KOGELLAGER | | 1 |
| 41 | 735311100 | BORGCLIP | | 1 |
| 42 | 735312510 | BORGCLIP | | 1 |
| 43 | 731711651 | HEXAGON NUT FLANGE | | 1 |
| 44 | 503230068 | RING | | 1 |
| 45 | 537271801 | VLEGWIEL | | 1 |
| 46 | 537271501 | NAAF | | 1 |
| 47 | 537271701 | BUSHING | | 2 |
| 48 | 537271401 | RING | | 1 |
| 49 | 537271601 | NAAFDOP | | 1 |
| 50 | 537230001 | PLAATJE | | 1 |
| 52 | 575541801 | KETTINGBESCHERMING | | 1 |
| 53 | 537247103 | CUTTING HEAD ASSY | | 1 |

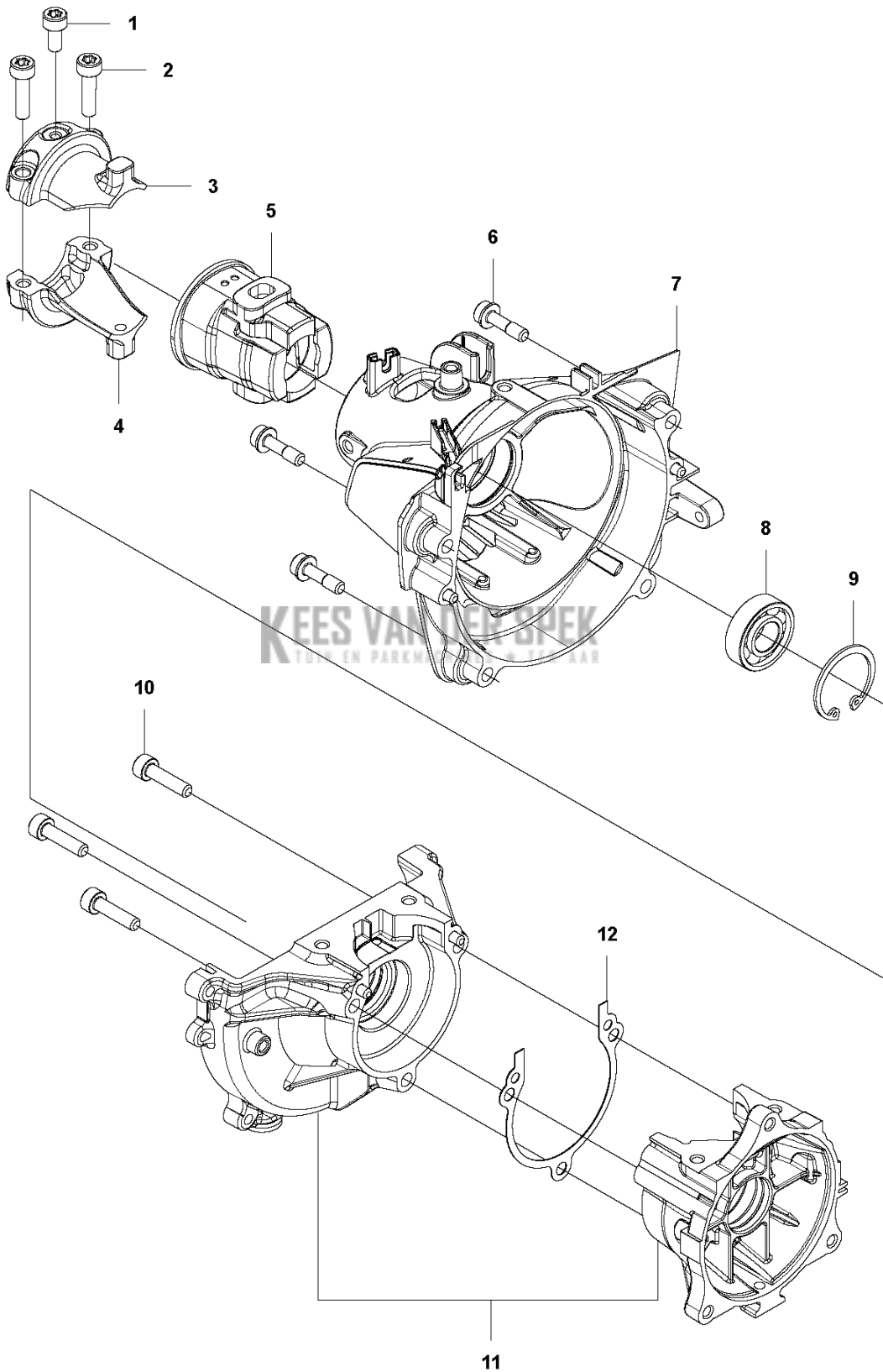
KEES VAN DER SPEK
TOEGEVOEGDE WAARDE

E 525P5S, 525P4S
CARBURETOR & AIR FILTER



| PXM_REF | PXM_PARTNO | DESCRIPTION | PXM_REMARK | QTY. |
|---------|------------|-------------|------------|------|
| 1 | 581047401 | LUCHTFILTER | | 1 |
| 2 | 581451801 | LUCHTFILTER | | 1 |
| 3 | 580467201 | BOUT | | 2 |
| 4 | 580437901 | PLAAT | | 1 |
| 5 | 581047001 | FILTER HUIS | | 1 |
| 6 | 577848301 | CHOKEHENDEL | | 1 |
| 7 | 590900001 | GASKABEL | | 1 |
| 8 | 577882402 | PAKKING | | 1 |
| 9 | 584901401 | CARBURATEUR | | 1 |
| 10 | 576399102 | PAKKING | | 1 |
| 11 | 503936601 | PURGE | | 1 |
| 12 | 577050501 | PIJP | | 1 |
| 13 | 504114301 | SCREW | | 3 |
| 14 | 578908301 | ISOLATOR | | 1 |
| 15 | 576398901 | PAKKING | | 1 |

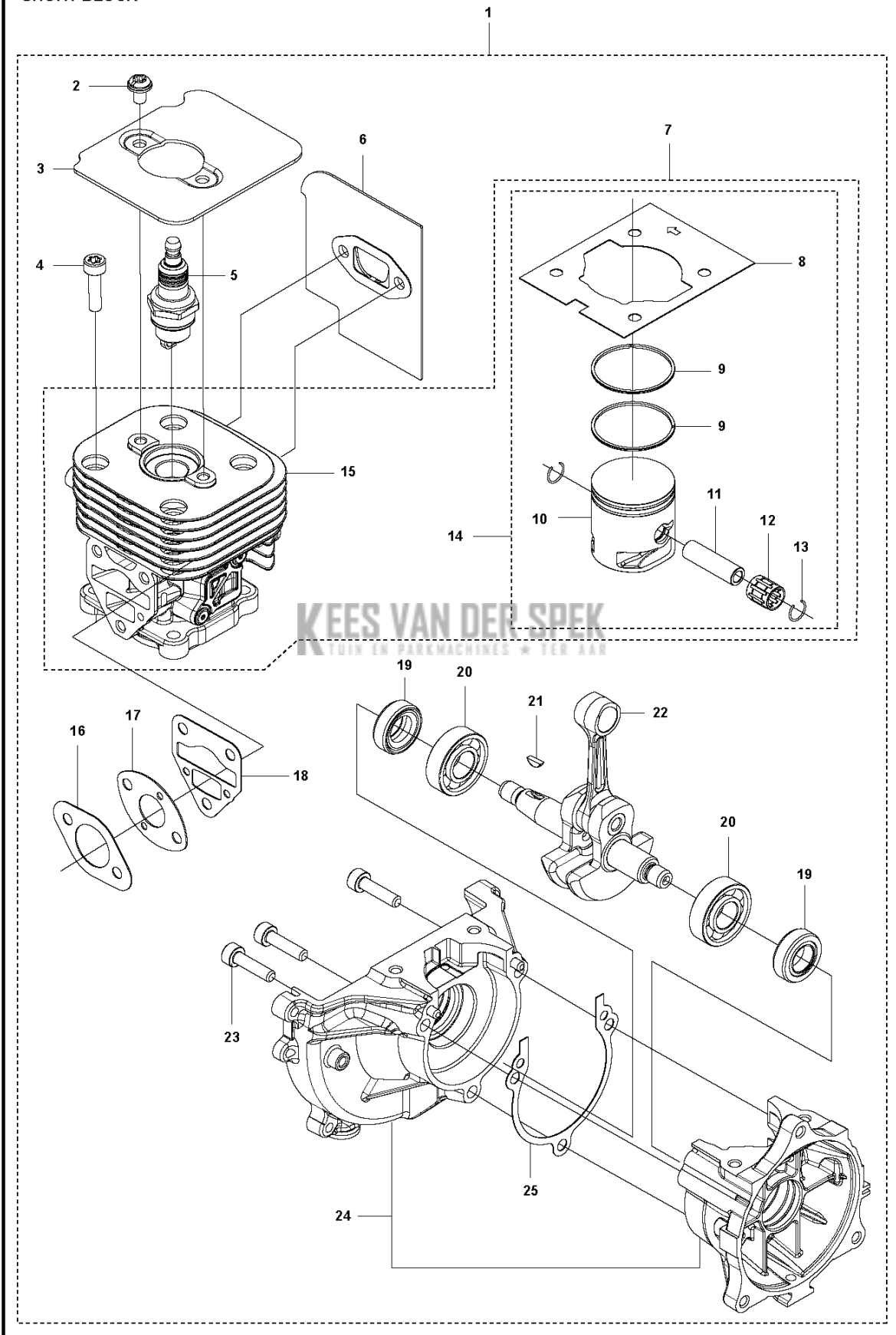
G 525P5S, 525P4S
CRANKCASE



| PXM_REF | PXM_PARTNO | DESCRIPTION | PXM_REMARK | QTY. |
|---------|------------|----------------|------------|------|
| 1 | 525824914 | SCHROEF ITXSCM | | 1 |
| 2 | 577942001 | BOUT | | 2 |
| 3 | 576420702 | BEVESTIGING | | 1 |
| 4 | 576420802 | BEVESTIGING | | 1 |
| 5 | 576420501 | CUSHION | | 1 |
| 6 | 577815401 | BOUT | | 4 |
| 7 | 588567701 | HUIS | | 1 |
| 8 | 525953201 | LAGER | | 1 |
| 9 | 506609901 | BORGRING | | 1 |
| 10 | 504114301 | SCREW | | 3 |
| 11 | 581308602 | CARTER | | 1 |
| 12 | 576399502 | PAKKING | | 1 |

KEES VAN DER SPEK
TUIN EN PARKMACHINES * TER AAR

SHORT BLOCK

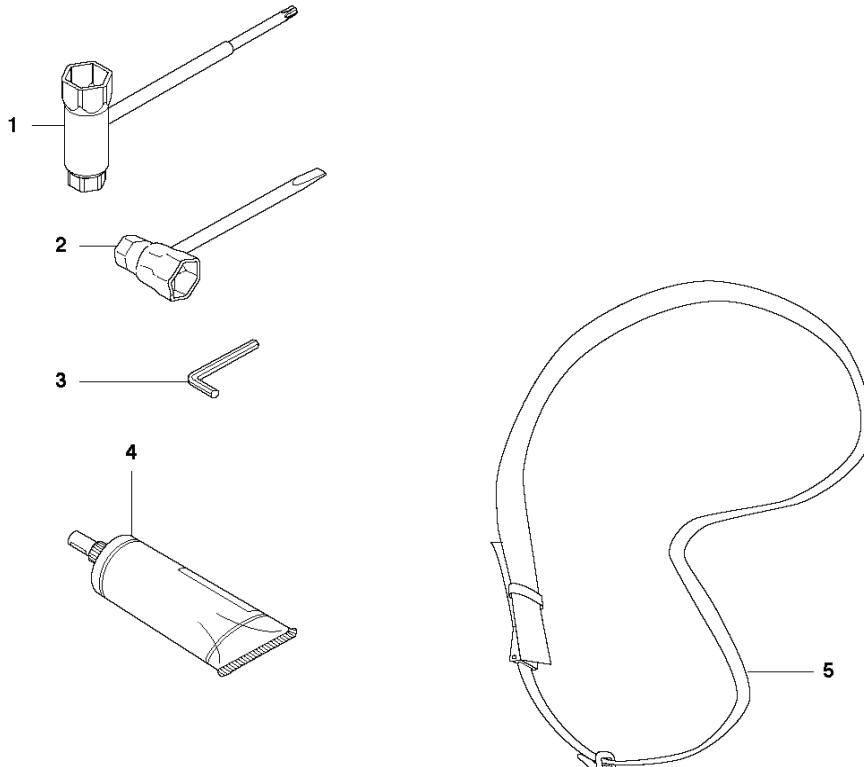


KEES VAN DER SPEK
KUNNEN EN BARKMACHINES 4 TER AAN

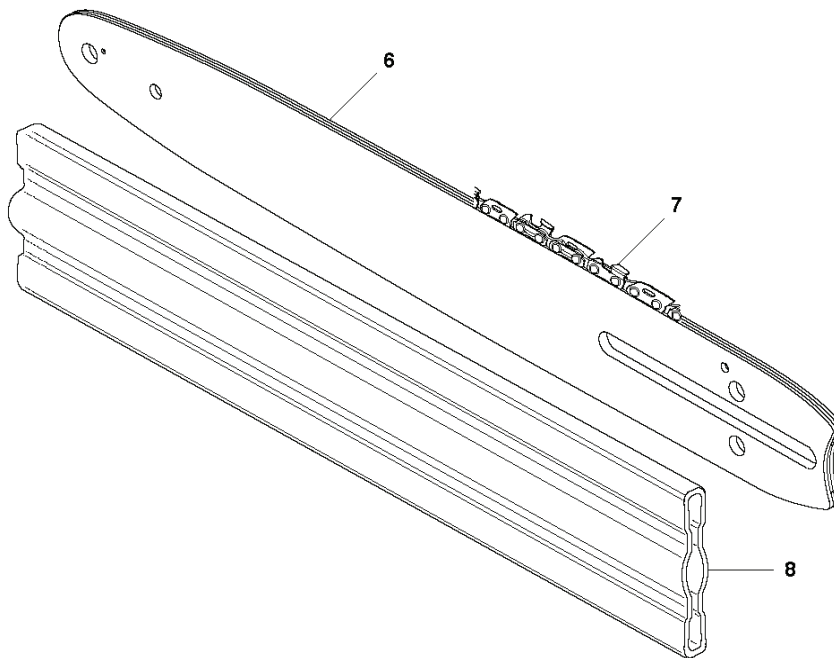
| PXM_REF | PXM_PARTNO | DESCRIPTION | PXM_REMARK | QTY. |
|---------|------------|-------------|------------|------|
| 1 | 592776401 | SHORT BLOCK | | 1 |
| 2 | 544256801 | SCREW | | 2 |
| 3 | 578785301 | PLAAT | | 1 |
| 4 | 504114301 | SCREW | | 4 |
| 5 | 584968101 | BOUGIE | | 1 |
| 6 | 578408101 | PAKKING | | 1 |
| 7 | 588098202 | SERVICE KIT | | 1 |
| 8 | 576398702 | PAKKING | | 1 |
| 9 | 506618101 | RING | | 2 |
| 10 | 577917401 | ZUIGER | | 1 |
| 11 | 505040701 | PEN | | 1 |
| 12 | 576402701 | LAGER | | 1 |
| 13 | 505045201 | RING | | 2 |
| 14 | 588098102 | SERVICE KIT | | 1 |
| 15 | 577979001 | CILINDER | | 1 |
| 16 | 577882402 | PAKKING | | 1 |
| 17 | 576399102 | PAKKING | | 1 |
| 18 | 576398901 | PAKKING | | 1 |
| 19 | 504121501 | AFDICHTING | | 2 |
| 20 | 506610301 | LAGER | | 2 |
| 21 | 506689401 | SLEUTEL | | 1 |
| 22 | 579223201 | KRUKAS | | 1 |
| 23 | 504114301 | SCREW | | 3 |
| 24 | 581308602 | CARTER | | 1 |
| 25 | 576399502 | PAKKING | | 1 |

KEES VAN DER SPEK
TUIN EN PARKMACHINES ★ TER AAR

N2 525P4S
ACCESSORIES



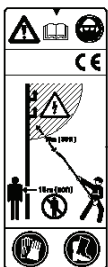
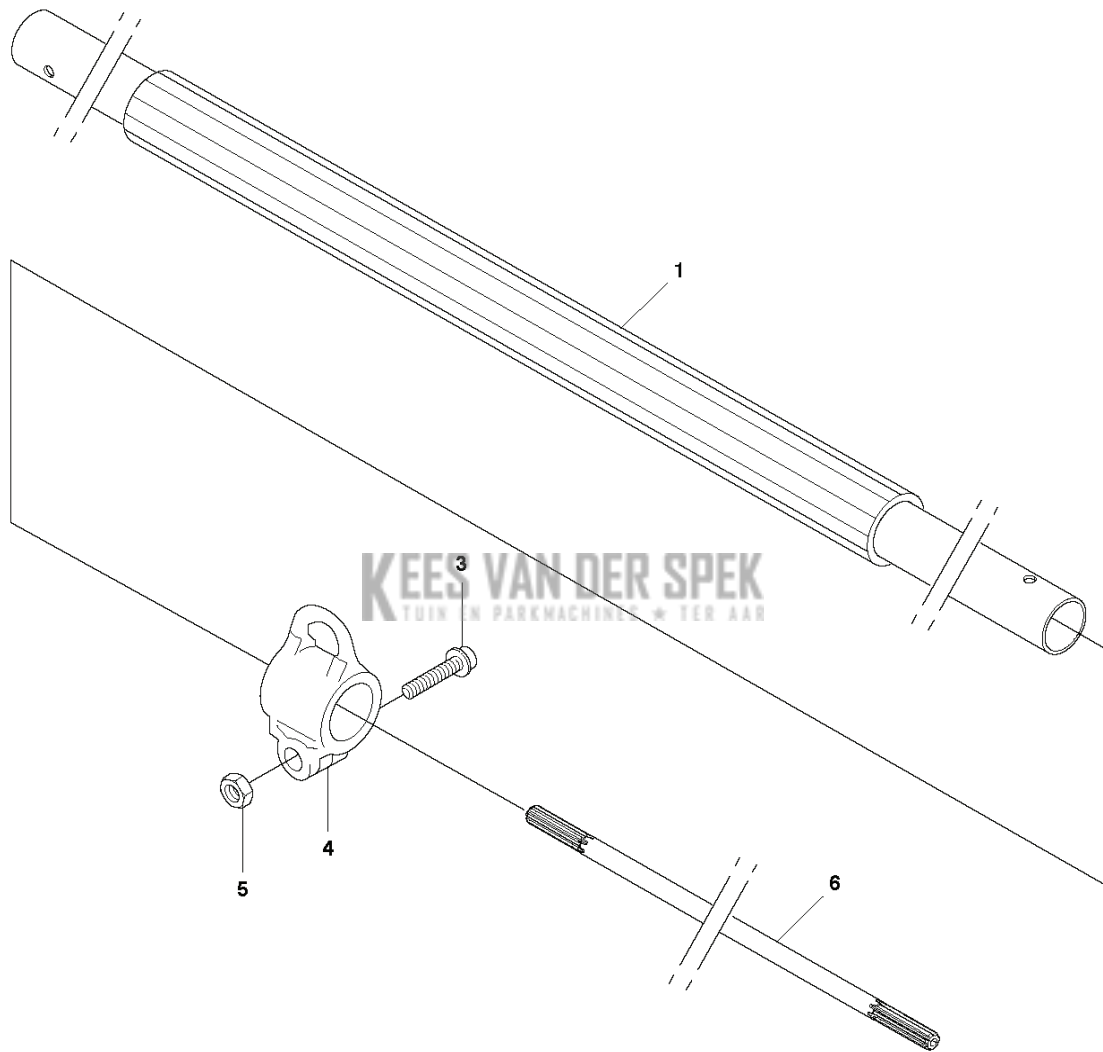
KEES VAN DER SLEEK
TUIN EN PARKMACHINES • TER AAR



| PXM_REF | PXM_PARTNO | DESCRIPTION | PXM_REMARK | QTY. |
|---------|------------|-------------------|------------|------|
| 1 | 575738202 | COMBINATIESLEUTEL | | 1 |
| 2 | 501691701 | COMBINATIESLEUTEL | | 1 |
| 3 | 503558601 | SLEUTEL | | 1 |
| 4 | 579064901 | VET | 100 g | 1 |
| 5 | 537216201 | DRAAGSTEL | | 1 |
| 6 | 501959245 | ZAAGBLAD | (12') | 1 |
| 6 | 501959240 | ZAAGBLAD | (10') | 1 |
| 7 | 576936545 | SAW CHAIN | (12') | 1 |
| 7 | 576936540 | SAW CHAIN | (10') | 1 |
| 8 | 537129901 | BAR COVER | | 1 |

KEES VAN DER SPEK
TUIN EN PARKMACHINES * TER AAR

B2 525P4S
SHAFT



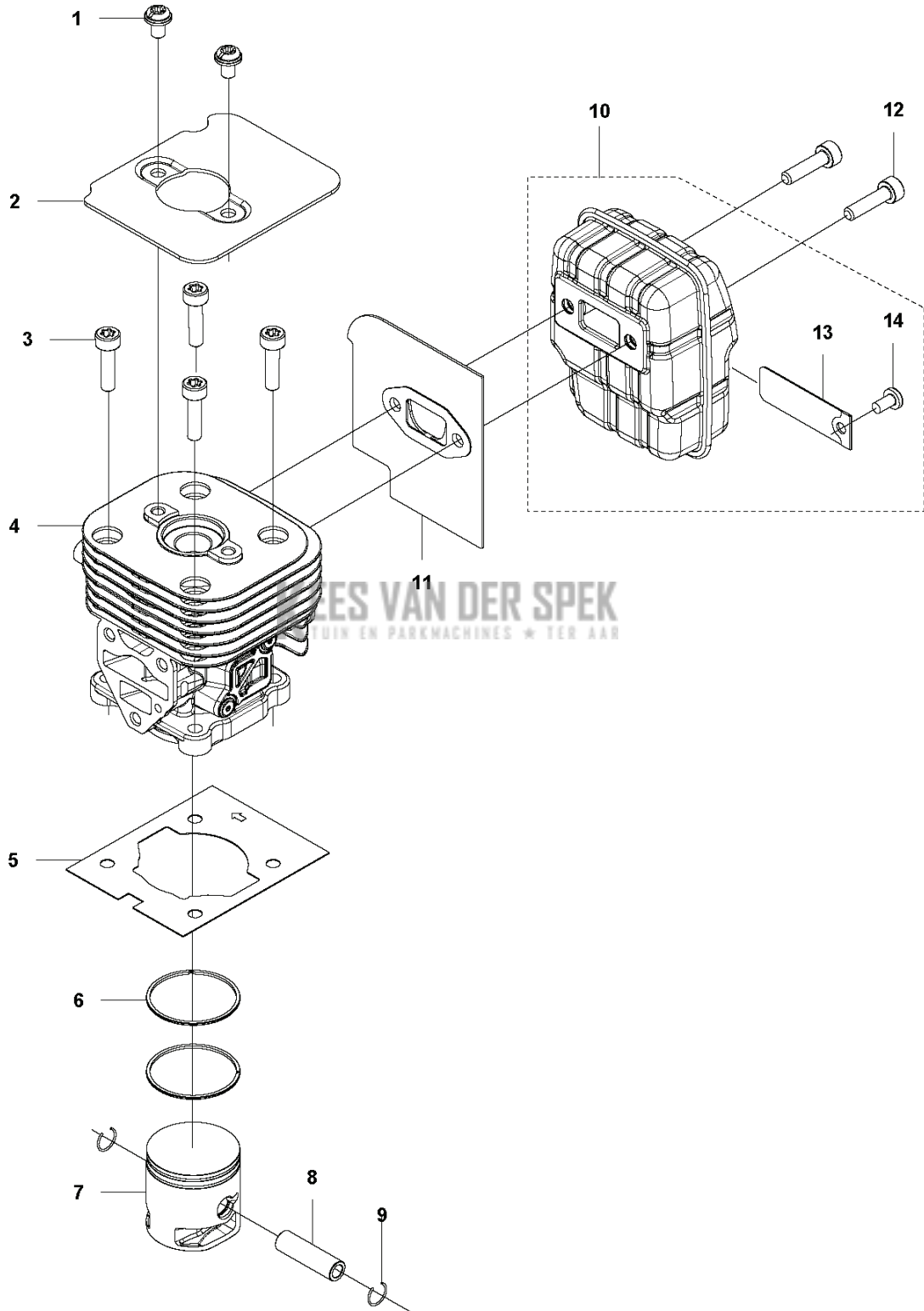
9

WARNING!
Operation of this equipment may create sparks that can start fires around dry vegetation. A spark arrestor may be required. The operator should contact local fire agencies for laws or regulations relating to fire prevention requirements.

10

| PXM_REF | PXM_PARTNO | DESCRIPTION | PXM_REMARK | QTY. |
|---------|------------|-----------------|-------------------|------|
| 1 | 587956302 | PIJP | Ø=24 mm L=1750 mm | 1 |
| 3 | 525755101 | SCHROEF ITXSCFM | | 1 |
| 4 | 503941001 | HAAK | | 1 |
| 5 | 731231401 | ZESKANT MOER | | 1 |
| 6 | 581161702 | AANDRIJFAS | Ø=7 mm L=1790 mm | 1 |
| 9 | 585944001 | STICKER | | 1 |
| 10 | 522928602 | PLAATJE | | 1 |

K 525P5S, 525P4S
CYLINDER PISTON & MUFFLER

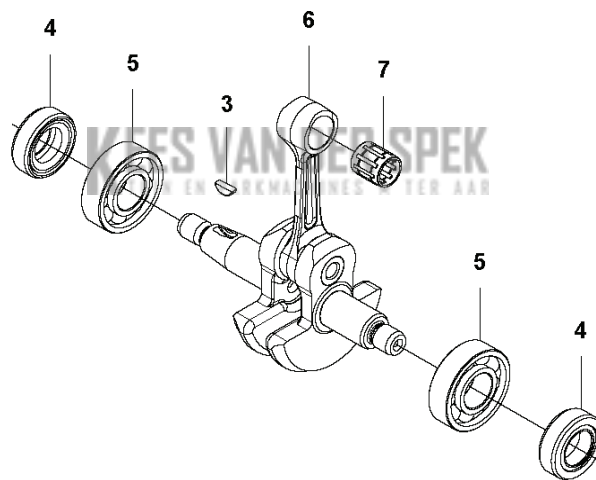
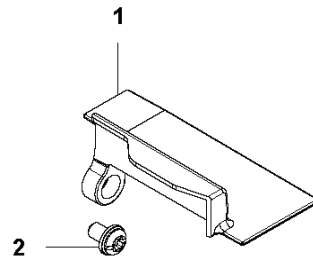


LES VAN DER SPEK
TUIN EN PARKMACHINES * TER AAR

| PXM_REF | PXM_PARTNO | DESCRIPTION | PXM_REMARK | QTY. |
|---------|------------|---------------------|---|------|
| 1 | 544256801 | SCREW | | 2 |
| 2 | 578785301 | PLAAT | | 1 |
| 3 | 504114301 | SCREW | | 4 |
| 4 | 577979001 | CILINDER | | 1 |
| 5 | 576398702 | PAKKING | | 1 |
| 6 | 506618101 | RING | | 2 |
| 7 | 577917401 | ZUIGER | | 1 |
| 8 | 505040701 | PEN | | 1 |
| 9 | 505045201 | RING | | 2 |
| 10 | 585032901 | GELUIDDEMPER COMPL. | Australia / New Zealand | 1 |
| 10 | 580523601 | GELUIDDEMPER COMPL. | USA | 1 |
| 10 | 585248603 | GELUIDDEMPER | All except Australia, New Zealand and USA | 1 |
| 11 | 578408101 | PAKKING | | 1 |
| 12 | 504114301 | SCREW | | 2 |
| 13 | 580514401 | VONKENVANGER | | 1 |
| 14 | 729577405 | SCHROEF CRPANT | | 1 |

KEES VAN DER SPEK
 TUIN EN PARKMACHINES * TER AAR

L 525P5S, 525P4S
CRANKSHAFT



| PXM_REF | PXM_PARTNO | DESCRIPTION | PXM_REMARK | QTY. |
|---------|------------|--------------|------------|------|
| 1 | 576404601 | GELUIDDEMPER | | 1 |
| 2 | 544256801 | SCREW | | 1 |
| 3 | 506689401 | SLEUTEL | | 1 |
| 4 | 504121501 | AFDICHTING | | 2 |
| 5 | 506610301 | LAGER | | 2 |
| 6 | 579223201 | KRUKAS | | 1 |
| 7 | 576402701 | LAGER | | 1 |

KEES VAN DER SPEK
TUIN EN PARKMACHINES ✦ TER AAR