

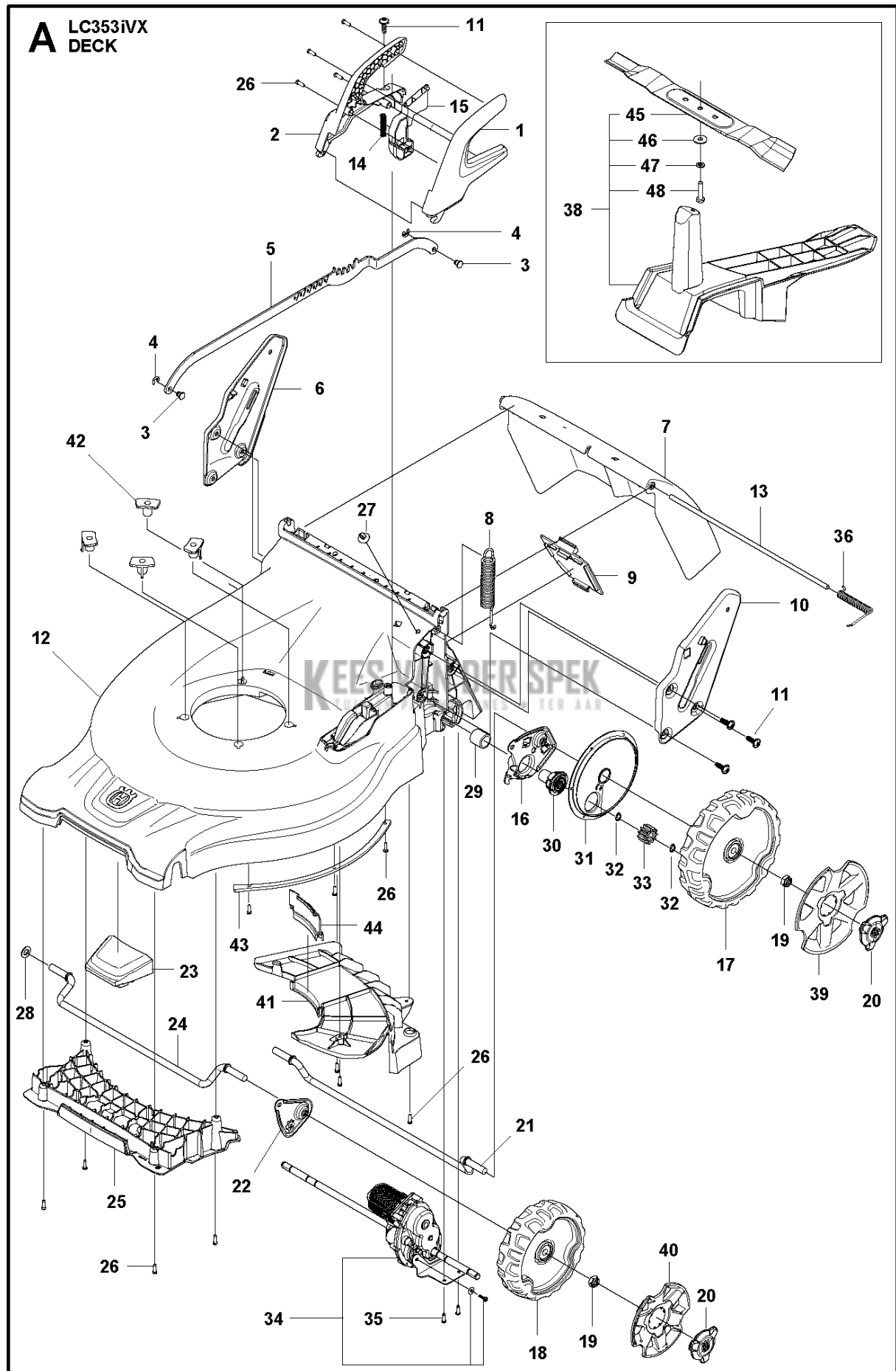


# SPARE PARTS LIST

LAWN MOWERS: CONSUMER  
WALK-BEHINDS

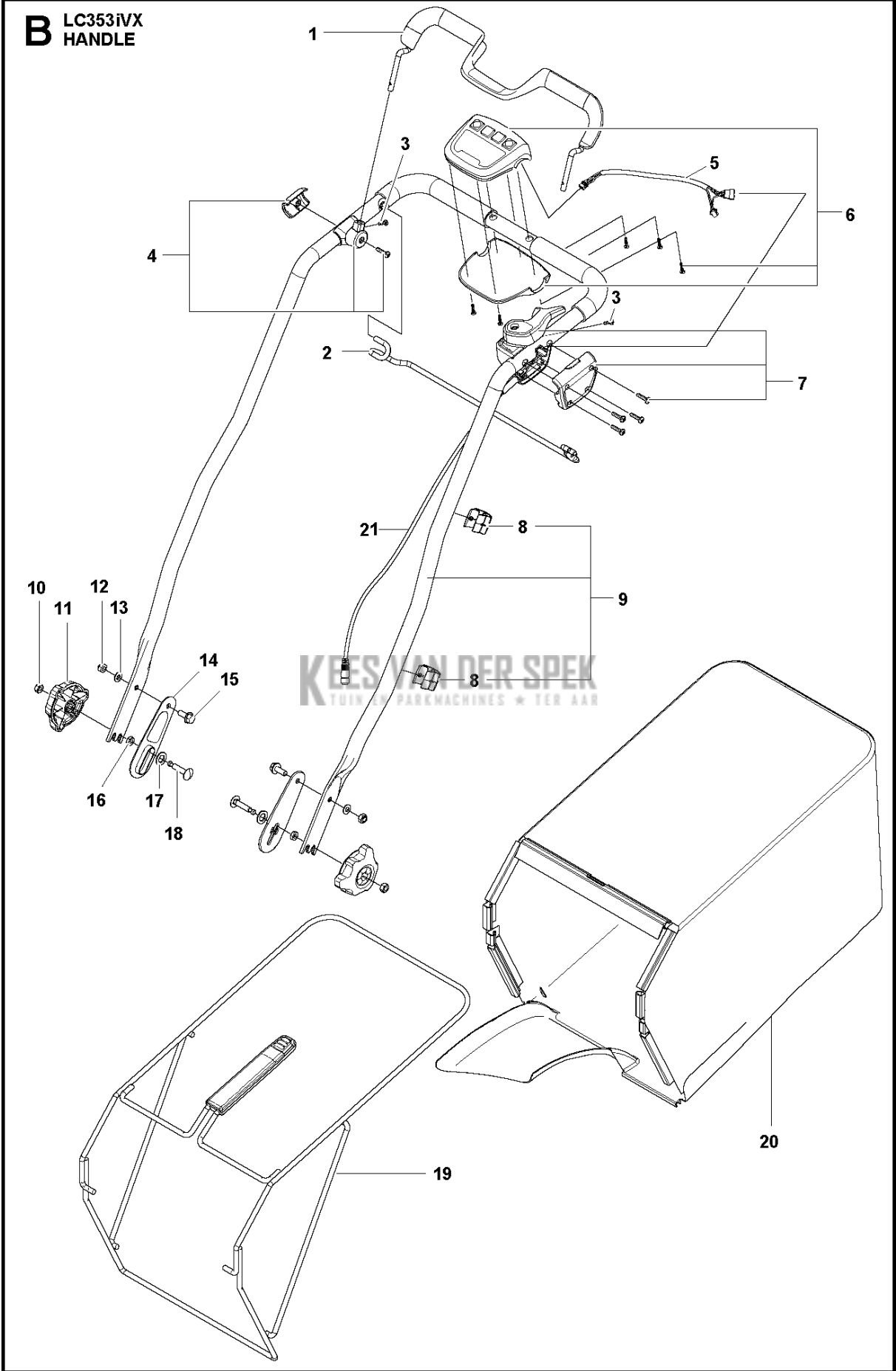
K TUIN EN PARKMACHINES \* TER AAR

LC 353iVX



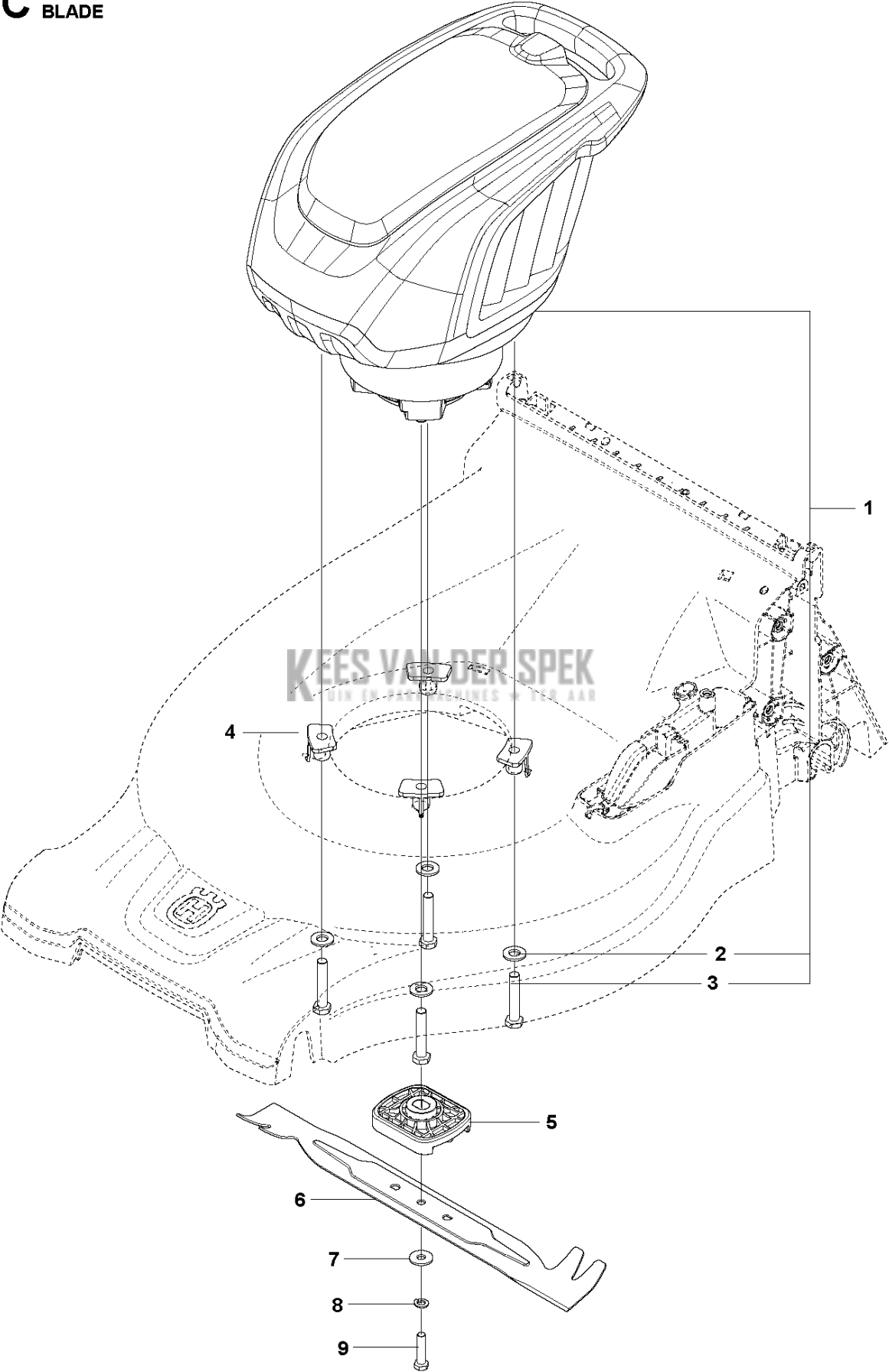
Referentie	Onderdeel nr	Omschrijving	Opmerking	Aant KIT al
1	587 20 37-01	DEKSELHELFT	Husqvarna, Suspension - Left - Height adjustment	1
2	587 20 38-01	DEKSELHELFT	Husqvarna, Suspension - Right - Height adjustment	1
3	587 68 70-01	AS	Suspension	2
4	735 31 12-20	E-CLIP	7x0.9 St PP,SHAFTS	2
5	588 82 78-01	STANG	Suspension 190/230	1
6	587 21 23-02	BEUGELSTEUN	right	1
7	501 71 61-02	LUIK	Rear door 53cm, Powerhead	1
8	588 82 77-01	VEER	53 cm,Balance - Suspension	1
9	587 09 54-02	DEKSEL	Service door	1
10	587 21 21-02	BEUGELSTEUN	left	1
11	578 17 58-02	SCHROEF ITXPANT	8x24, TBO, For Thermoplastics	7
12	501 70 48-01	CHASSIS	Husqvarna, 53 cm	1
13	586 98 46-02	AS	Hatch rear door	1
14	589 59 76-01	VEER	HA Button	1
15	587 69 74-01	KNOOP	ASSY - Suspension - Height adjustment	1
16	587 07 25-01	VERBINDINGSARM	Rear idler 210	1
17	588 74 96-01	WIEL COMPL.	Husqvarna, With Sleeve, 230, Drive	2
18	588 74 97-01	WIEL COMPL.	Husqvarna, With Sleeve, 190, Idler	2
19	587 99 09-01	MOER	Lock, M12x10	4
20	584 15 94-01	MOERKAP	Nut cap	4
21	587 07 26-03	WIELAS	Rear 53 cm,Suspension	1
22	587 07 24-01	VERBINDINGSARM	Front idler 170	2
23	594 72 72-01	TEGENGEWICHT	COUNTERWEIGHT	1
24	587 07 26-04	WIELAS	Front 47 cm, Suspension	1
25	501 91 03-01	GLIJ PLAAT	Husqvarna, Front	1
26	502 43 53-01	SCHROEF ITXPANT	T50x16 Zn/Fe (A009)	15
27	579 31 74-01	SPANBAND	FIR TREE 170x5	1
28	577 09 28-01	RING	12/22/2 FZB ISO7089	1
29	579 68 28-02	PIJP	Rubber	2
30	501 86 10-01	BUSHING	ASSY	1
31	589 63 98-01	STOFKAP	Dust cover, 230	2
32	735 31 14-01	BORGCLIP	12x1 st ZPB, SGA	2
33	544 34 23-01	RONDSEL	Full Width, PM, 11 T, 21.25mm Root Diam	1
34	594 72 88-01	TRANSMISSIE	Assy	1
35	502 43 53-01	SCHROEF ITXPANT	T50x16 Zn/Fe (A009)	2
36	587 10 15-01	VEER	hatch	1
38	595 00 11-01	MULCH KIT	Mulch plug and combi blade kit	1
39	588 75 20-01	NAAFDOP	230 Husqvarna	2
40	588 75 21-01	NAAFDOP	190 Husqvarna	2
41	501 71 55-01	RIEMKAP	Belt cover 53 cm	1
42	578 29 51-01	HULS	For engine screws, Plastic chassis	4
43	582 02 28-01	VERSTEVIGINGSPLAAT	Chassis 53 cm	2
44	594 09 90-01	DEKSEL	53cm electric	1
45	595 00 72-10	MES		1
46	734 11 64-41	RING	SRKB 8.4/25X2	1
47	579 68 42-01	VEERRING		1
48	725 24 55-71	SCHROEF EHHM	M8x30 8.8 ZPB	1

**B** LC353iVX  
HANDLE

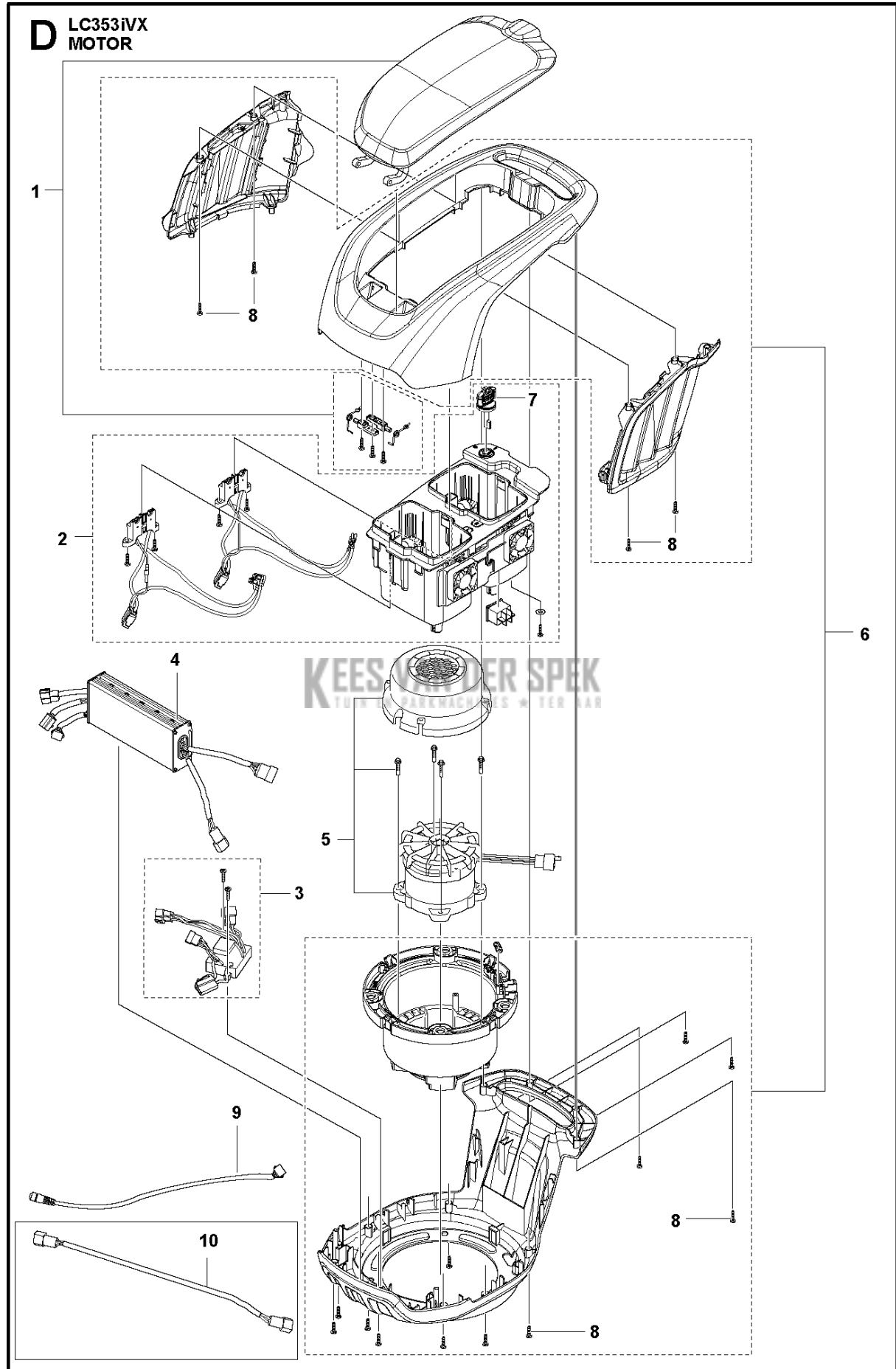


Referentie	Onderdeel nr	Omschrijving	Opmerking	Aant KIT al
1	596 25 36-01	HENDEL	Handle assy, OPC bail kit	1
2	587 10 18-02	HENDEL	Drive bail	1
3	593 19 87-01	DRIJFSCHROEF		2
4	593 11 87-01	SUPPORT ASSY	Bail support assembly	1
5	593 19 86-01	VERLENG KABEL	Control panel assy cable	1
6	596 25 30-02	CONTROLEBORD	Control board, Drive	1
7	593 11 80-01	SWITCHBOX ASSY	Push	1
8	591 08 64-01	KABELHOUDER	Handle mounted clip	2 9
9	596 28 03-01	HANDGREEP COMPL.	Handle assy	1
10	731 23 18-01	ZESKANT MOER	M8 8 ZPB,ISO 4032	2
11	587 23 72-01	KNOP	handle	2
12	732 21 18-01	LOCK NUT	M8-8	2
13	734 18 20-51	RING	8x16x1.5 St ZPB,Type NB	2
14	587 78 04-01	RING	Washer handle/handlesupport	2
15	506 57 01-04	SCHROEF EHHFM	M8x20 8.8 ZPB,EHHFM	2
16	731 43 18-01	DUNNE ZESKANTIGE MOER	M8 St 04 ZPB,ISO 4035	2
17	588 15 74-01	RING	Nylon Washer	2
18	588 15 73-02	BOUT	Esloc,Carriage Bolt M8	2
19	501 71 60-01	ZAKFRAME	Bag frame	1
20	501 85 66-01	GRASSBAG	Grassbag	1
21	597 68 87-01	KABEL		1

**C** LC353iVX  
BLADE



Referentie	Onderdeel nr	Omschrijving	Opmerking	Aant KIT al
1	590 53 14-04	MOTOR UNIT	Powerhead Unit	1
2	504 46 68-01	RING	10.5x22x2 BRB ZPB	4 1
3	725 25 02-71	SCHROEF EHHM	M10x55 8.8 ZPB,ISO 4017	4 1
4	578 29 51-01	HULS	For engine screws, Plastic chassis	4
5	596 60 22-01	MES HOUDER	Transmission system	1
6	594 07 57-10	MES		1
7	734 11 64-41	RING	SRKB 8.4/25X2	1
8	579 68 42-01	VEERING		1
9	725 24 55-71	SCHROEF EHHM	M8x30 8.8 ZPB	1



## MOTOR

LC 353iVX

Referentie	Onderdeel nr	Omschrijving	Opmerking	Aant KIT al
1	593 12 43-01	LID ASSY	Powerhead lid and hinge	1
2	593 12 45-02	ACCUBAK	Battery pocket	1 7
3	593 13 36-02	CONTACTPLAAT	Battery control plate	1
4	593 13 27-02	BESTURINGSEENHEID	Motor control box	1
5	593 78 38-02	MOTOR	Brushless motor 900W	1
6	593 20 39-01	MOTORKAP COMPL.	Power unit cover	1
7	501 49 01-01	SLEUTEL	battery pocket key	1 2
8	593 75 55-01	SCREW	Engine hood screws	16
9	593 72 28-01	KABEL	handle	1
10	593 72 26-01	KABEL	transmission	1