

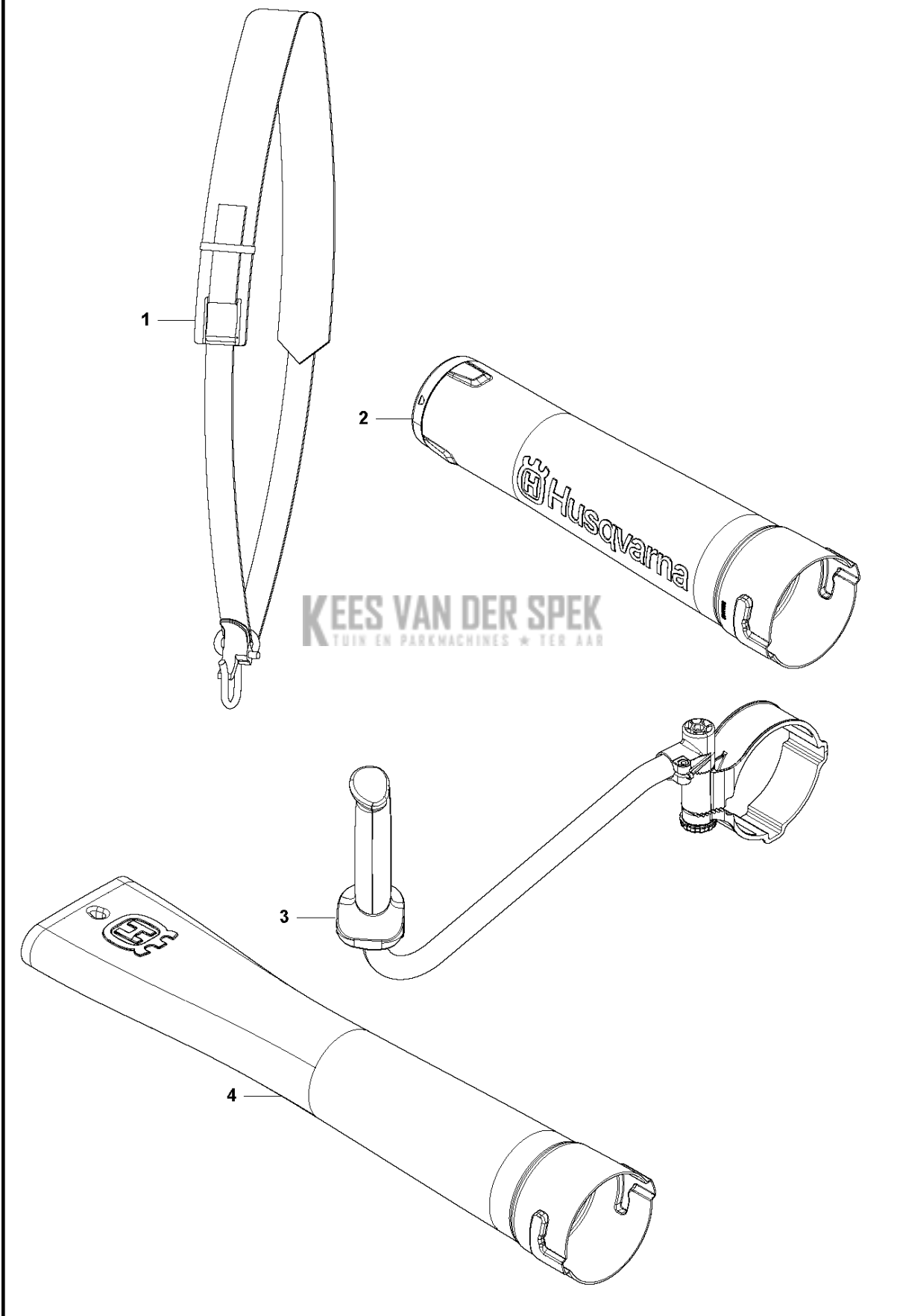


SPARE PARTS LIST

BLOWERS

KEES VAN DER SPEK
TUIN EN HORTA
436LiB TER AAR

E 436/536 LiB
ACCESSORIES



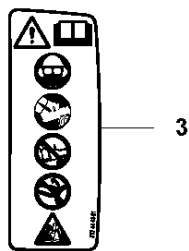
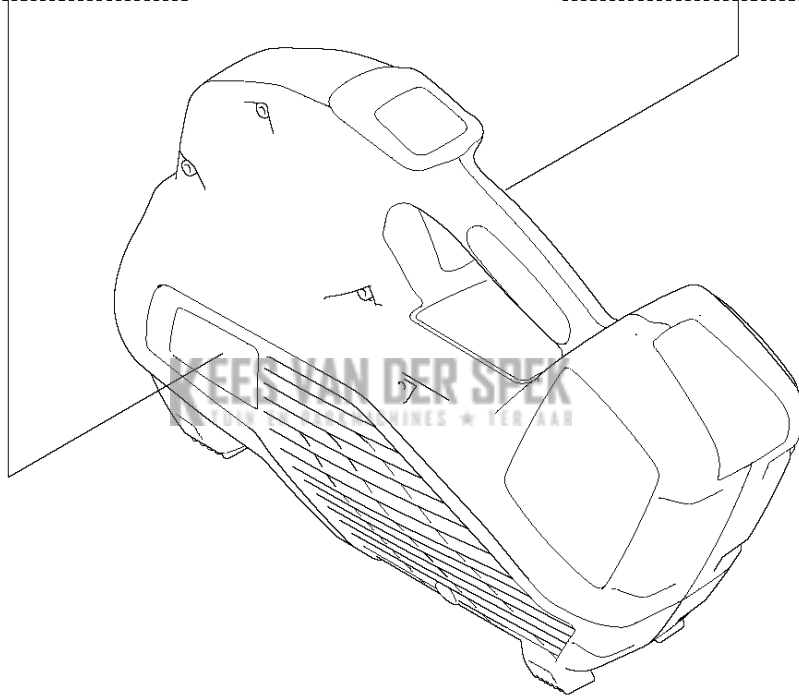
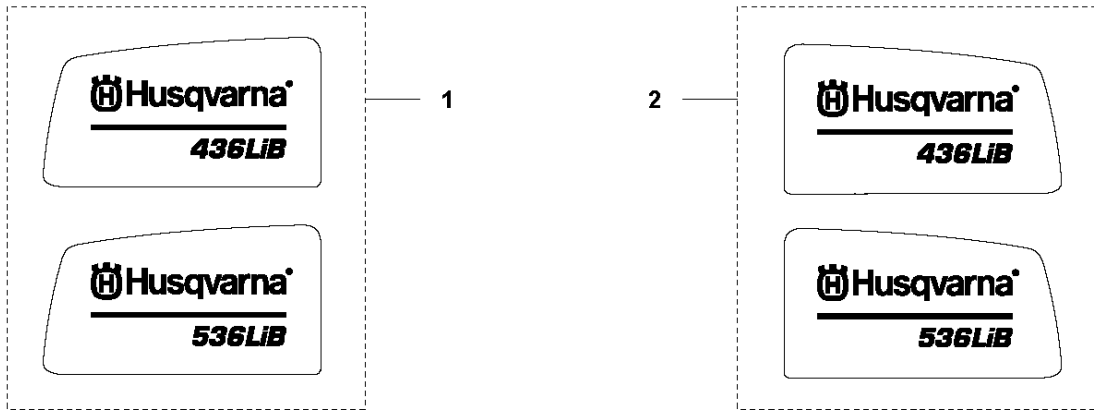
ACCESSORIES

436LiB

Ref	Part No	Description	Remark	QTY KIT
1	537 21 62-01	HARNESS	536LiB/ 436LiB	1
2	586 10 63-02	TUBE ASSY		1
3	501 71 51-01	HANDLE ASSY		1
4	579 79 75-01	NOZZLE		1

KEES VAN DER SPEK
TUIN EN PARKMACHINES ★ TER AAR

B 436/536 LiB
DECALS

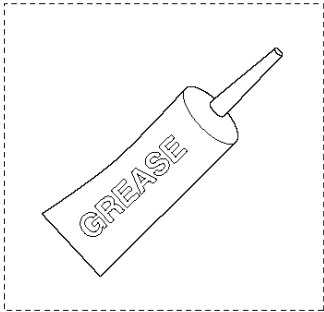
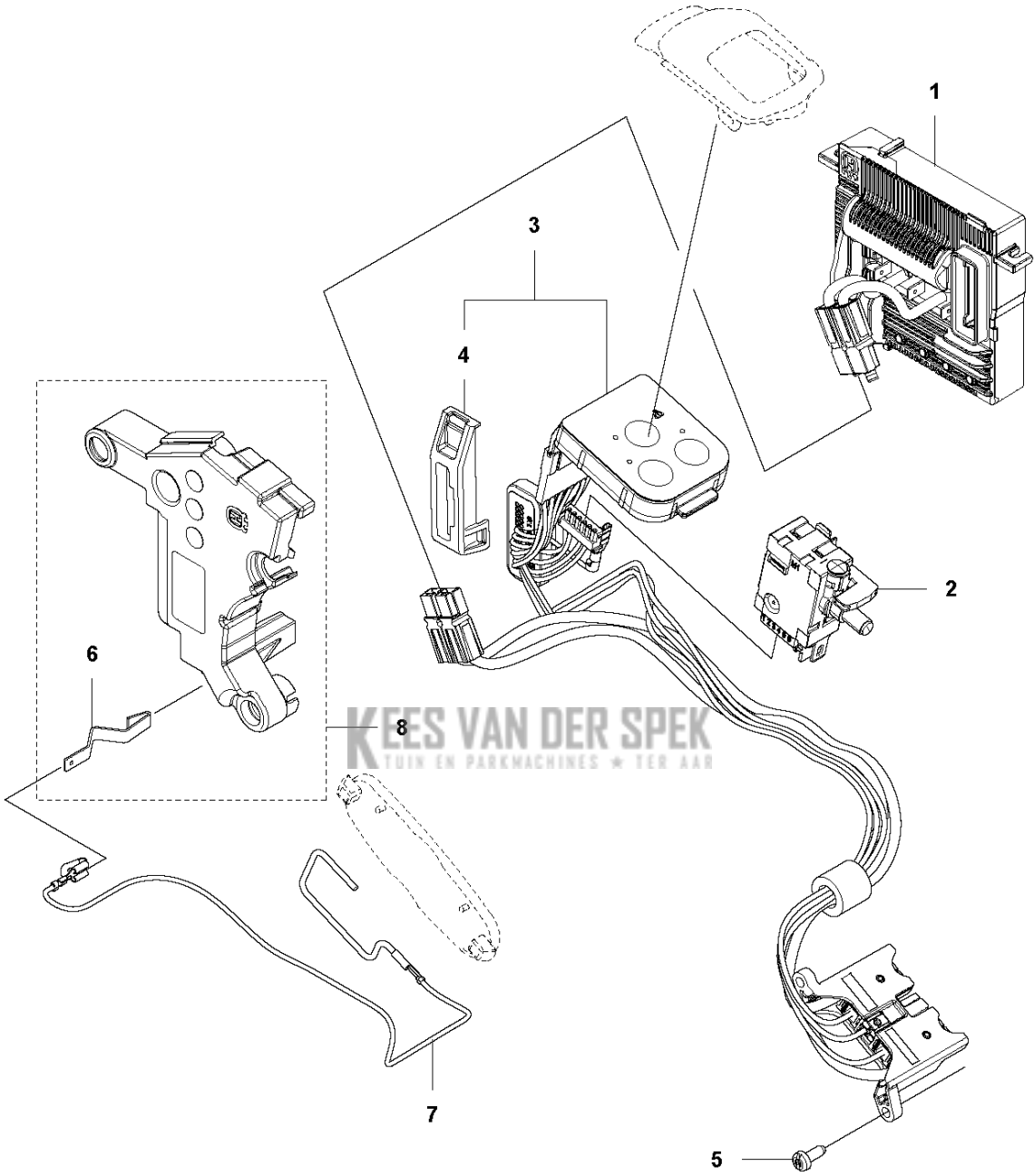


DECALS

436LiB

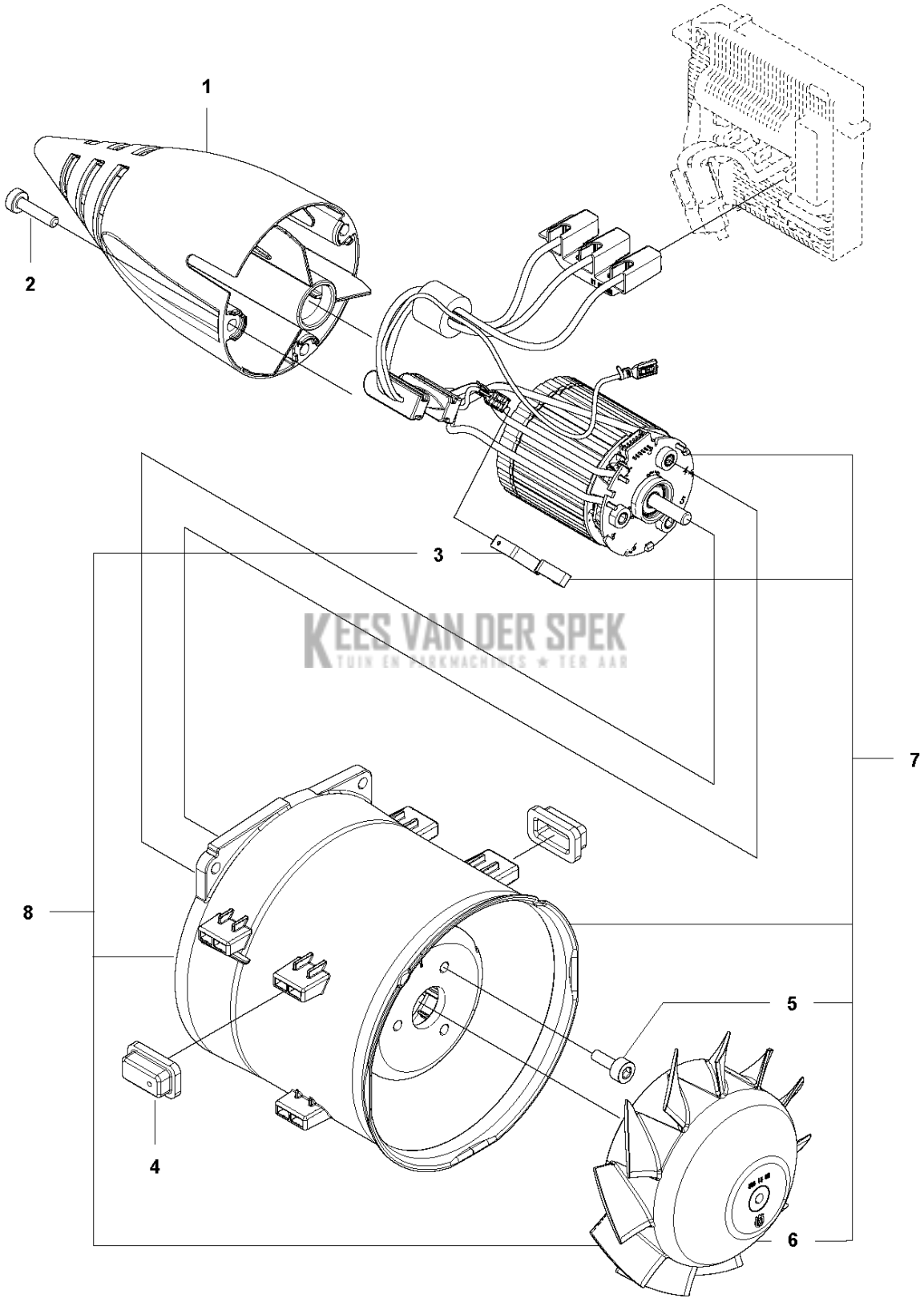
Ref	Part No	Description	Remark	QTY KIT
1	586 83 41-01	DECAL	436LiB left.	1
1	586 83 41-02	DECAL	536LiB left.	1
2	586 83 42-01	DECAL	436LiB right.	1
2	586 83 42-02	DECAL	536LiB right.	1
3	577 84 43-01	DECAL		1

C 436LiB / 536LiB
ELECTRIC SYSTEM



Ref	Part No	Description	Remark	QTY	KIT
1	587 94 86-01	CONTROL UNIT		1	
2	578 32 69-01	TRIGGER SWITCH		1	
3	587 69 59-01	WIRING ASSY		1	
4	587 32 72-01	BRACKET		1	3
5	503 21 28-13	SCREW CCRPANT		2	
6	586 49 22-01	SPRING		1	8
7	586 96 39-01	WIRING ASSY		1	
8	588 00 98-01	KIT		1	
9	588 17 64-01	GREASE		1	

D 436/536 LiB
FAN SYSTEM



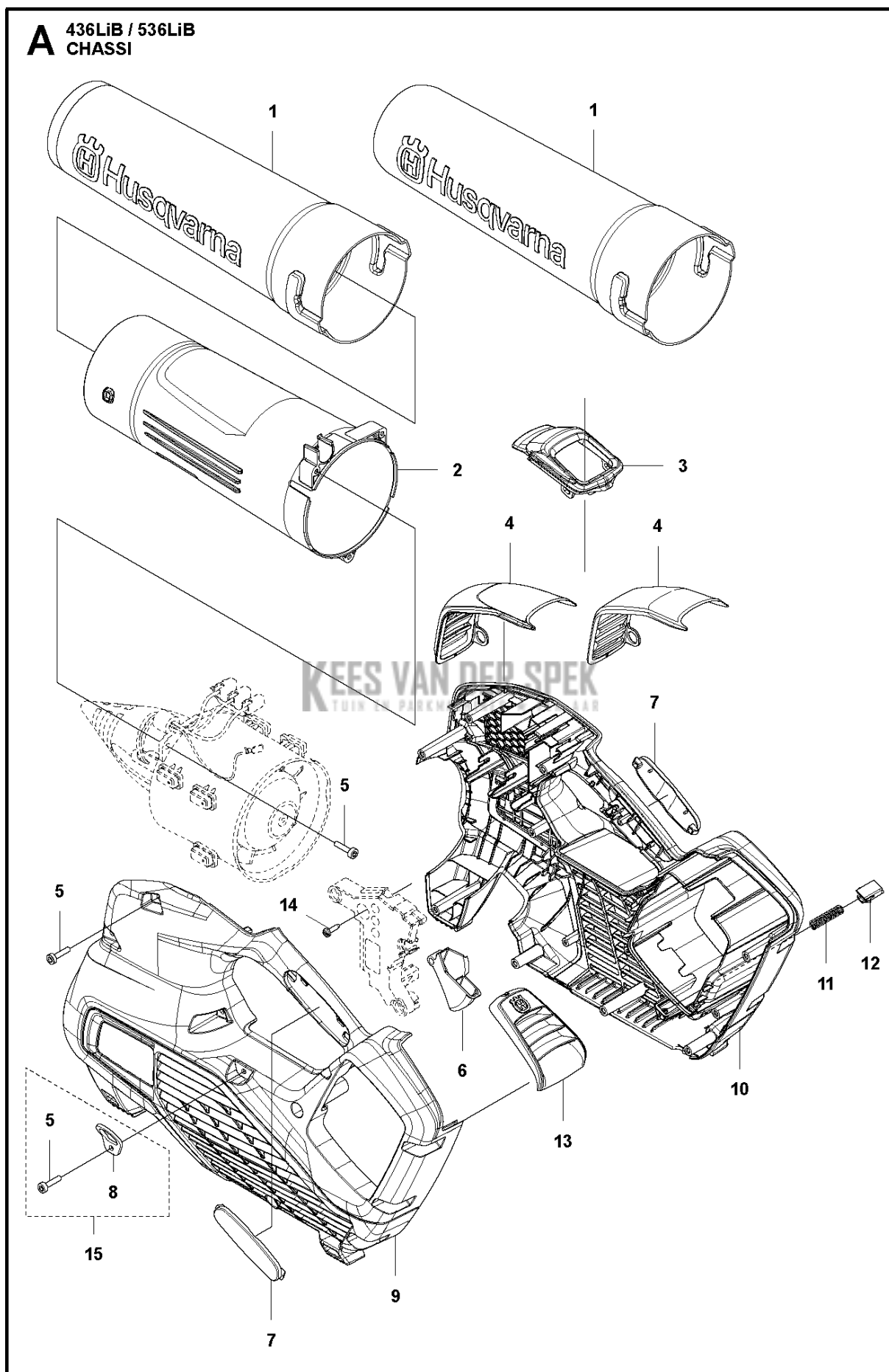
FAN

436LiB

Ref	Part No	Description	Remark	QTY	KIT
1	584 15 65-01	CONE		1	
2	579 21 19-01	SCREW IH SCT		3	
3	586 49 22-01	SPRING		1	8
4	503 91 10-01	SUSPENSION		6	
5	503 20 25-12	SCREW IH SCM		3	7
6	584 15 60-01	ROTOR		1	7, 8
7	588 00 99-01	MOTOR ASSY		1	
8	588 01 00-01	KIT		1	

KEES VAN DER SPEK
TUIN EN PARKMACHINES * TER AAR

A 436LiB / 536LiB
CHASSI



Ref	Part No	Description	Remark	QTY	KIT
1	584 15 68-02	NOZZLE	436LiB	1	
1	586 10 63-01	TUBE ASSY	536LiB	1	
2	584 15 66-01	TUBE		1	
3	584 21 37-01	FRAME		1	
4	584 91 43-01	COVER	436LiB	1	
4	584 91 47-01	COVER	536LiB	1	
5	579 21 19-01	SCREW IHSCT	536LiB	16	15
5	579 21 19-01	SCREW IHSCT	436LiB	15	
6	579 56 41-02	THROTTLE CONTROL		1	
7	544 04 20-03	HANDLE INSERT		2	
8	586 51 42-01	EYELET		1	15
9	584 15 74-01	HOUSING		1	
10	584 15 73-01	HOUSING		1	
11	585 48 00-01	SPRING		1	
12	577 99 66-01	PUSH BUTTON		1	
13	576 90 12-01	COVER		1	
14	503 21 28-13	SCREW CCRPANT		1	
15	588 00 97-01	KIT		1	