



Husqvarna®



120iBV

KEES VAN DER SPEK
TUIN EN PARKMACHINES ★ TER AAR

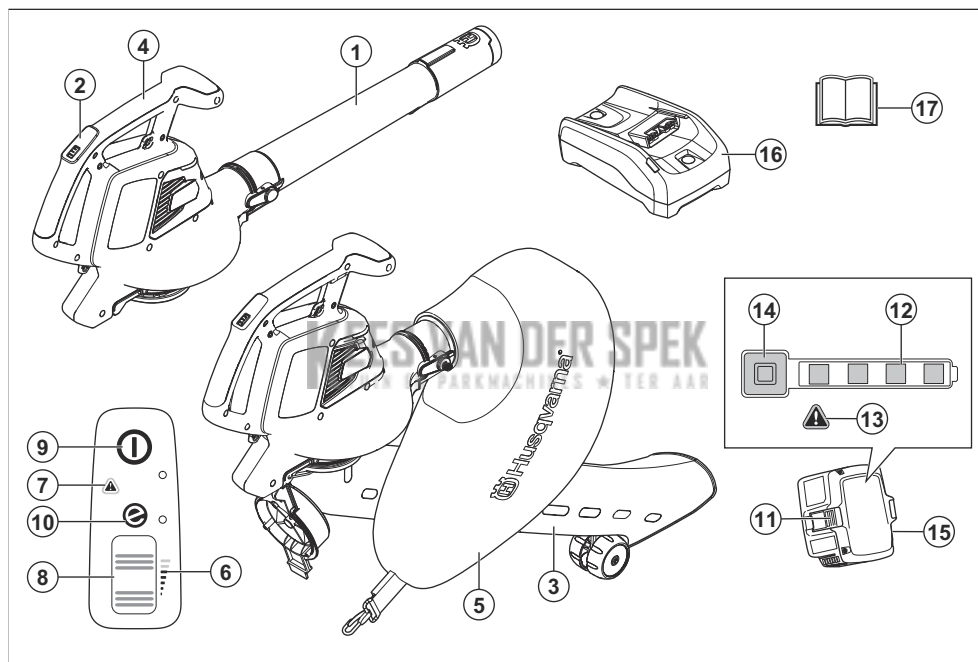
EN	Operator's manual	2-19
DE	Bedienungsanweisung	20-38
FR	Manuel d'utilisation	39-57
NL	Gebruiksaanwijzing	58-75
SL	Navodila za uporabo	76-92
IT	Manuale dell'operatore	93-110

Contents

Introduction.....	2	Troubleshooting.....	14
Safety.....	4	Transportation, storage and disposal.....	15
Assembly.....	8	Technical data.....	16
Operation.....	10	Declaration of Conformity.....	18
Maintenance.....	13		

Introduction

Product overview



- | | |
|-----------------------------------|---|
| 1. Blower tube | 14. Power and warning indicator |
| 2. Keypad | 15. Battery, included in the Husqvarna 120iBV blower kit only |
| 3. Vacuum tube | 16. Battery charger, included in the Husqvarna 120iBV blower kit only |
| 4. Handle | 17. Operator's manual |
| 5. Collection bag | |
| 6. Airflow indicator | |
| 7. Warning indicator (error LED) | |
| 8. Power wheel | |
| 9. Start/stop button | |
| 10. SavE indicator | |
| 11. Battery release button | |
| 12. Battery status | |
| 13. Warning indicator (error LED) | |

Product description

Husqvarna 120iBV is garden blower/vacuum model with an electric motor.

We have a policy of continuous product development and therefore reserve the right to modify the design and the appearance of the products without prior notice.

Intended use

Blower mode: The blower is designed for blowing dirt particles or grass cuttings away from paths, driveways, courtyards and the like. It is also designed for blowing grass cuttings, straw or leaves to create piles, or to remove dirt particles from corners, joints or gaps between tiles or bricks.

Vacuum mode: The vacuum is designed for vacuuming dry material. It includes leaves, grass, small twigs, and bits of paper.

Symbols on the product



WARNING: This product can be dangerous and cause serious injury or death to the operator or others. Be careful and use the product correctly.



Read the operator's manual carefully and make sure that you understand the instructions before you use this product.



Use approved eye protection.



Rated voltage, V



Direct current.



Noise emission to the environment label as per EU and UK directives and regulations, and New South Wales legislation "Protection of the Environment Operations (Noise Control) Regulation 2017". The guaranteed sound power level of the product is specified in *Technical data on page 16* and on the label.



Disconnect the battery before maintenance.



The product or package of the product is not domestic waste. Recycle it at a recycling station for electrical and electronic equipment.



The product agrees with the applicable EC directives.



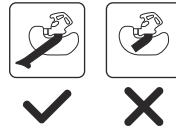
This product conforms to the applicable UK regulations.



Do not expose to rain.



Wait until the rotor blades stop after switching off the product.



Only use the product in vacuum mode when the tube is completely assembled.



The blower operator must ensure that no people or animals come closer than 15 metres. When several operators are working at the same site a safety distance of at least 15 metres must be in effect. The blower can forcibly throw objects that can bounce back. This can result in serious eye injuries if the recommended safety equipment is not used.

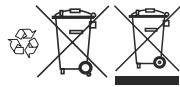


The rating plate shows serial number. **yyyy** is the production year, **ww** is the production week.

yyyy wwxxxx

Note: Other symbols/decals on the attachment refer to special certification requirements for certain markets.

Symbols on the battery and/or on the battery charger



Recycle this product at a recycling station for electrical and electronic equipment. (Applies to Europe only)



Fail-safe transformer.



Use and keep the battery charger indoors only.



Double insulation.

Manufacturer

Husqvarna AB

Drottninggatan 2, SE-561 82 Huskvarna

Product liability

As referred to in the product liability laws, we are not liable for damages that our product causes if:

- the product is incorrectly repaired.
- the product is repaired with parts that are not from the manufacturer or not approved by the manufacturer.
- the product has an accessory that is not from the manufacturer or not approved by the manufacturer.
- the product is not repaired at an approved service center or by an approved authority.

Safety

Safety definitions

Warnings, cautions and notes are used to point out specially important parts of the operator's manual.



WARNING: Used if there is a risk of injury or death for the operator or bystanders if the instructions in the manual are not obeyed.



CAUTION: Used if there is a risk of damage to the product and/or the attachment, other materials or the adjacent area if the instructions in the manual are not obeyed.

Note: Used to give more information that is necessary in a given situation.

General safety instructions



WARNING: Read the warning instructions that follow before you use the product.

- Read the instructions carefully to know the controls and the correct operation of the machine. Incorrect or careless use of the product can turn it into a dangerous tool that can cause serious or even fatal injury to the operator or others.
- Under no circumstances may the design of the product be modified without the permission of the manufacturer. Never use a product that has been modified in any way from its original specification and always use original accessories. Non-authorized modifications and/or accessories can result in serious personal injury or the death of the operator or others. Your warranty may not cover damage or liability caused by the use of non-authorized accessories or replacement parts.

- This product produces an electromagnetic field during operation. This field may under some circumstances interfere with active or passive medical implants. To reduce the risk of serious or fatal injury, we recommend persons with medical implants to consult their physician and the medical implant manufacturer before operating this product.
- Remove the battery from the product during charging.

General power tool safety warnings

Check before starting

- Inspect the working area. Remove all loose objects, such as stones, broken glass, nails, steel wire, string etc. that could be thrown out.
- Always remove the battery to prevent the machine being started by accident. Always disconnect the battery before any maintenance on the machine.
- Before using the machine and after any impact, check for signs of wear or damage and repair as necessary.
- Only use original spare parts.
- The machine operator must ensure that no people or animals come closer than 15 metres while working. When several operators are working in the same area the safety distance should be at least 15 metres.
- Do an overall inspection of the machine before use, see maintenance schedule.
- National or local regulations may regulate the use. Comply to given regulations.

Personal safety

- **Stay alert, watch what you are doing and use common sense when operating a power tool. Do not use a power tool while you are tired or under the influence of drugs, alcohol or medication.** A moment of inattention while operating power tools may result in serious personal injury.
- Keep bystanders away.

- This appliance is not intended for use by person (including children) with reduced physical, sensory or mental capabilities, or lack of experience and knowledge, unless they have been given supervision or instruction concerning use of the appliance by a person responsible for their safety. Children should be supervised to ensure that they do not play with the appliance.
- Never allow children or people unfamiliar with these instructions to use the product. Local regulations may restrict the age of the operator.
- Keep unauthorised persons at a distance. Children, animals, onlookers and helpers should be kept outside the safety zone of 15 m (50 ft.). Stop the machine immediately if anyone approaches.
- Store the equipment in a lockable area so that it is out of reach of children and unauthorized persons.
- Do not operate the machine on a paved or gravel surface where ejected material could cause injury.
- While operating the machine always wear substantial footwear and long trousers. Do not operate the machine when barefoot or wearing open sandals. Avoid wearing clothing that is loose fitting or that has hanging cords or ties.
- Do not wear loose clothing or jewellery that can be breathed into the air inlet. Keep long hair away from the air inlets.
- Never use the machine if you are tired, if you have drunk alcohol, or if you are taking medication that could affect your vision, your judgement or your coordination.
- Wear personal protective equipment. See instructions under the heading "Personal protective equipment".
- Always remove the battery when passing the machine to another person.
- Keep in mind that it is you, the operator that is responsible for not exposing people or their property to accidents or hazards.

Power tool use and care

- Never use a machine that has been modified in any way from its original specification. Never use the machine near explosive or flammable materials.
- Never use a machine that is faulty. Carry out the safety checks, maintenance and service instructions described in this manual. Some maintenance and service measures must be carried out by trained and qualified specialists. See instructions under the heading Maintenance.
- Only use original spare parts.
- Always ensure that ventilation openings are kept clear of debris.
- All covers, guards and handles must be fitted before starting.
- Only use the machine in daylight or in other well-lit conditions.
- Never use the machine in bad weather, for instance in fog, in rain, damp or in wet locations, strong

winds, intense cold, risk of lightning, etc. Extremely hot weather may cause overheating of the machine. Operation in bad weather is tiring and can lead to dangerous conditions, for instance slippery surfaces.

- If the machine starts vibrating abnormally, stop the machine and remove the battery.
- Walk, never run.

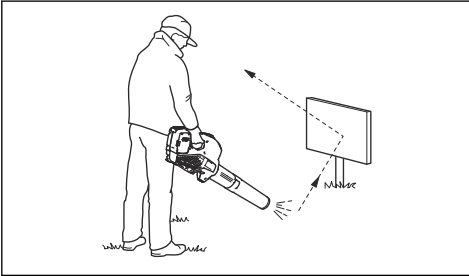
Safety instructions for operation



WARNING: Read the warning instructions that follow before you use the product.

- If you encounter a situation where you are uncertain how to proceed you should ask an expert. Contact your dealer or your service workshop. Avoid all usage which you consider to be beyond your capability.
- Make sure that you can move and stand safely. Check the area around you for possible obstacles (roots, rocks, branches, ditches, etcetera) in case you have to move suddenly. Take great care when you work on sloping ground.
- Keep a good balance and a firm foothold at all times. Do not overreach.
- Listen out for warning signals or shouts when you wear hearing protection. Always remove your hearing protection as soon as the product stops.
- Do not operate the product near open windows.
- Show consideration to persons in your surroundings by avoiding using the product at unsuitable times, such as late in the evening or early in the morning. Follow local regulations and ordinances.
- Use the product with the lowest possible airflow. It is seldom necessary to use full airflow, and many work procedures can be done at half airflow. A lower airflow means less noise and less dust, and it is also easier to keep control over the rubbish collected together/moved.
- In dusty conditions slightly dampen the surface when using the product.
- Use a rake or a brush to release rubbish stuck to the ground.
- Hold the opening of the blower as close to the ground as possible.
- Observe your surroundings. Direct the product away from persons, animals, play areas, cars etc..
- Minimize the blowing time by lightly wetting dusty areas or using spray equipment.
- Be aware of the wind direction. Work with the wind to make your work easier.
- Stop the product and remove the battery if the product starts to vibrate abnormally.
- Using the blower to move large piles is time consuming and creates unnecessary noise.
- Clean up afterwards. Make sure that you have not blown rubbish into someone's garden.

- Do not run with the product.
- The powerful currents of air can move objects at such a speed that they can bounce back and cause serious eye injuries.



- Do not direct the airflow towards people or animals.
- Stop the motor before you assemble or dismantle accessories or other parts.
- Keep all parts of your body away from hot surfaces.
- Never put the product down when it is activated unless you have it in clear sight.
- Stop the machine, and remove the battery. Make sure that all moving parts have come to a complete stop:
 - whenever you leave the machine
 - before clearing blockages or unclogging chute
 - before checking, cleaning or working on the machine
- Immediately shut off the power source and allow the machine to stop if the cutting mechanism hits any foreign objects or if the machine should start making any unusual noise or vibration. Disconnect the battery from the machine and take the following steps before restarting and operating the machine:
 - examine for damage
 - replace or repair any damaged parts
 - check for and tighten any loose parts
- Shut off the power source and disconnect the machine from battery before cleaning unwanted material if the machine becomes clogged.
- Do not transport this machine while the power source is running.
- Do not tilt the machine while the power source is running.

- The blower must not be used while on a ladder or scaffolding.



- Do not use the product unless you are able to call for help in case of an accident.
- Watch out for thrown objects. Stones, rubbish, etc., can be thrown up into the eyes causing blindness or serious injury.
- Use a residual-current device (RCI) for increased security when you charge the product. A residual-current device is fitted to protect operators in case an electrical fault should occur.
- This product is renowned for its low vibration load. Overexposure to vibration can lead to circulatory damage or nerve damage in people who have impaired circulation. Contact your doctor if you experience symptoms of overexposure to vibration. Such symptoms include numbness, loss of feeling, tingling, pricking, pain, loss of strength, changes in skin colour or condition. These symptoms normally appear in the fingers, hands or wrists.
- Only use the product for the purpose it was intended for.
- It is not possible to cover every conceivable situation you can face. Always exercise care and use your common sense. Avoid all situations which you consider to be beyond your capability. If you still feel uncertain about operating procedures after reading these instructions, you should consult an expert before continuing.

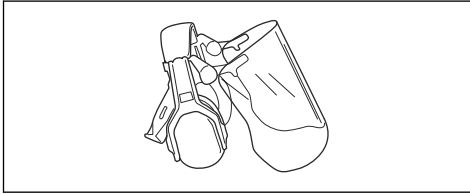
Personal protective equipment



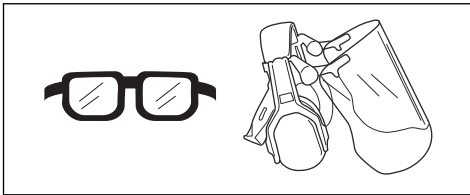
WARNING: Read the warning instructions that follow before you use the product.

- Always use approved personal protective equipment when you use the product. Personal protective equipment cannot fully prevent injury but it decreases the degree of injury if an accident does occur. Let your dealer help you select the right equipment.
- Long term exposure to noise can result in damaged hearing. In general, battery powered products are relatively quiet but damage can result from a combination of noise level and long usage. recommends that operators use hearing protectors when using products for a longer coherent time of

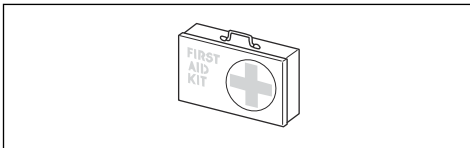
a day. Continual and regular users should have their hearing checked regularly. Note that hearing protectors limit the ability to hear sounds and warning signals.



- Use approved eye protection. If you use a visor, you must also use approved protective goggles. Approved protective goggles must comply with the ANSI Z87.1 standard in the USA or EN 166 in EU countries.



- Use clothing made of a strong fabric. Always use heavy, long pants and long sleeves. Do not use loose clothing that can catch on twigs and branches. Do not wear jewelry, short pants, sandals or go with bare feet. Put your hair up safely above shoulder level.
- Keep first aid equipment close at hand.



- A breathing mask should be used when there is a risk of dust.

Safety devices on the product



WARNING: Read the warning instructions that follow before you use the product.

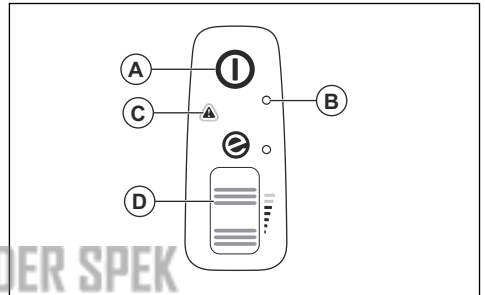
- In this section the product's safety features, its purpose and how checks and maintenance should be carried out to ensure that it operates correctly. See instructions under the heading *Product overview on page 2* to find where these parts are located on your product.
- The life span of the product can be reduced and the risk of accidents can increase if product maintenance is not carried out correctly and if service and/or repairs are not carried out

professionally. If you need further information please contact your nearest servicing dealer.

- Never use a product with defective safety components. The product's safety equipment must be inspected and maintained as described in this section. If your product fails any of these checks, contact your service agent to get it repaired.
- All servicing and repair work on the product requires special training. This is especially true of the product's safety equipment. If your product fails any of the checks described below you must contact your service agent. When you buy any of our products we guarantee the availability of professional repairs and service. If the retailer who sells your product is not a servicing dealer, ask him for the address of your nearest service agent.

To do a check of the keypad

1. Push and hold the start/stop button (A).



- a) The product is on when the LED (B) comes on.
 - b) The product is off when the LED (B) is out.
2. Refer to *User interface on page 14* if the warning indicator (C) comes on or flashes.
 3. Push and release the power wheel (D) to make sure that it moves freely.

Battery safety



WARNING: Read the warning instructions that follow before you use the product.

- Only use the 40-B series batteries that we recommend for your product. Refer to *Approved batteries on page 17*. The batteries are software encrypted.
- Use the rechargeable 40-B series batteries as a power supply for the related Husqvarna products only. To prevent injury, do not use the battery as a power supply for other devices.
- Risk of electrical shock. Do not connect the battery terminals to keys, screws or other metal. This can cause a short circuit of the battery.
- Do not use batteries that are non-rechargeable.
- Do not put objects into the air slots of the battery.

- Keep the battery away from sunlight, heat or open flame. The battery can cause burns and/or chemical burns.
- Keep the battery away from rain and wet conditions.
- Keep the battery away from microwaves and high pressure.
- Do not try to disassemble or break the battery.
- Use the battery in temperatures between -10 °C (14 °F) and 40 °C (104 °F).
- Do not clean the battery or the battery charger with water. Refer to *To clean the product, the battery and the battery charger on page 14.*
- Do not use a defective or damaged battery.
- Keep batteries in storage away from metal objects such as nails, screws or jewelry.
- Keep the battery away from children.

Battery charger safety



WARNING: Read the warning instructions that follow before you use the product.

- Risk of electrical shock or short circuit if the safety instructions are not obeyed.
- Do not use other battery chargers for the one supplied for your product. Only use 40-C80 chargers when you charge Husqvarna 40-B140 replacement batteries. Refer to *Approved battery chargers on page 17* and *Approved batteries on page 17.*
- Do not try to disassemble the battery charger.
- Do not use a defective or damaged battery charger.
- Do not lift the battery charger by the power cord. To disconnect the battery charger from a mains socket, pull out the plug. Do not pull the power cord.
- Keep all cables and extension leads away from water, oil and sharp edges. Make sure that the cable is not caught between objects, for example, doors, fences or equivalent.
- Do not use the battery charger near flammable materials or materials that can cause corrosion. Make sure that the battery charger is not covered. Pull out the plug to the battery charger if there is smoke or fire.
- Only charge the battery indoors in a location with good airflow and away from sunlight. Do not charge

the battery outdoors. Do not charge the battery in wet conditions.

- Only use the battery charger where the temperature is between 5 °C (41 °F) and 40 °C (104 °F). Use the charger in an environment which has a good airflow, dry and free from dust.
- Do not put objects into the cooling slots of the battery charger.
- Do not connect the battery charger terminals to metal objects as this can short circuit the battery charger.
- Use approved mains sockets that are not damaged. Make sure that the cord of the battery charger is not damaged. If extension cables are used, make sure that the extension cables are not damaged.

Safety instructions for maintenance



WARNING: Read the warning instructions that follow before you do maintenance on the product.

- When the machine is stopped for servicing, examination, or storage, or to change an accessory, Allow the machine to cool before making any examinations, adjustments, etc. Maintain the machine with care and keep it clean.
- Remove the battery before you do maintenance, other checks or assemble the product.
- The operator must only do the maintenance and servicing shown in this operator's manual. Speak to your servicing dealer for maintenance and servicing of a larger extension.
- Keep all nuts, bolts and screws tight to be sure the product is in safe working condition.
- Replace worn or damaged parts.
- If you do not do maintenance, it decreases the life cycle of the product and increases the risk of accidents.
- Special training is necessary for all servicing and repair work, especially for the safety devices on the product. If not all checks in this operator's manual are approved after maintenance, speak to your servicing dealer. We guarantee that there are professional repairs and servicing available for your product.
- Only use original spare parts.

Assembly

Blower mode



WARNING:

Cut injury can occur when the rotor blades turn or the product starts accidentally. Remove the battery and wait until the

rotor blades stop before you assemble the product.

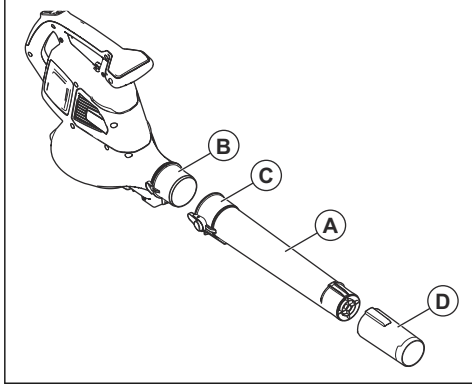


WARNING: Assemble the blower tube and the intake cover fully before you use the product in blower mode.

To assemble the blower tube

Note: When the blower tube is not assembled correctly, a safety switch will prevent the blower from starting.

1. Push the blower tube (A) onto the blower outlet (B). The interlock (C) engages when you hear a click.

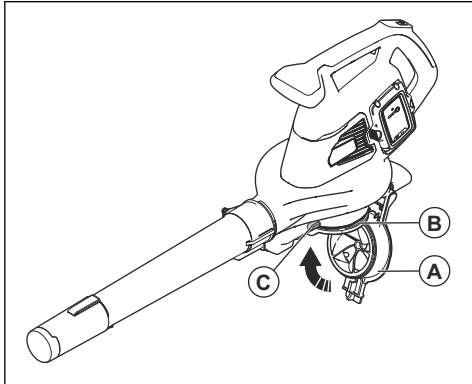


2. Install the blower nozzle (D) onto the blower tube. The blower nozzle locks in position when you hear a click.

To assemble the intake cover

Note: When the intake cover is not assembled correctly, a safety switch will prevent the blower from starting.

- Close the intake cover (A) on the blower inlet (B). The interlock (C) engages when you hear a click.



Vacuum mode



WARNING: Assemble the vacuum tube and the collection bag fully before you use the product in vacuum mode.

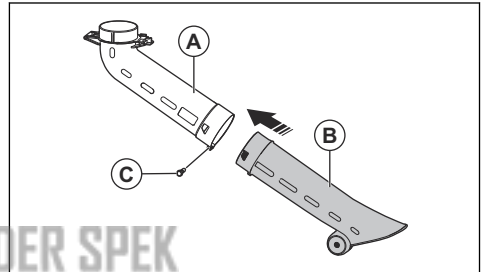
To assemble the vacuum tube



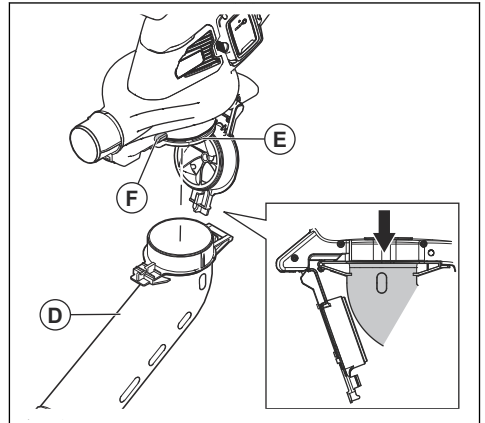
WARNING: Assemble the upper and lower vacuum tubes before you start the product.

Note: When the vacuum tube is not assembled correctly, a safety switch will prevent the vacuum from starting.

1. Align the slots on the upper vacuum tube (A) with the tabs on the lower vacuum tube (B).



2. Push the lower vacuum tube onto the upper vacuum tube until you hear a click.
3. Tighten the screw (C) .
4. Install the vacuum tube (D) to the vacuum inlet (E). The interlock (F) engages when you hear a click.



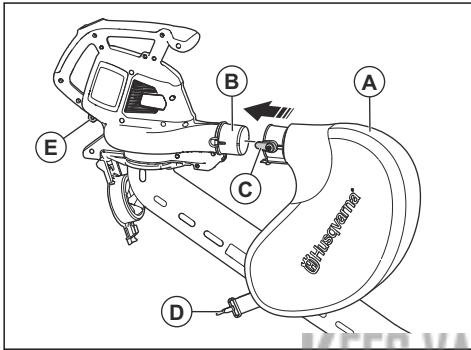
To assemble the collection bag

Note: If the collection bag is not assembled correctly, a safety switch will stop the product start procedure.

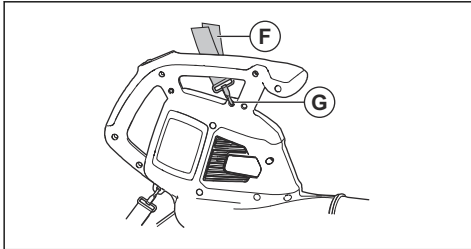


WARNING: Stop the machine before attaching or removing the bag.

1. Remove the blower tube if it is installed to the product.
2. Push the collection bag (A) onto the vacuum outlet (B). The interlock (C) engages when you hear a click.



3. Connect the collection bag strap (D) with the retainer (E).
4. Connect the shoulder strap (F) with the retainer (G).



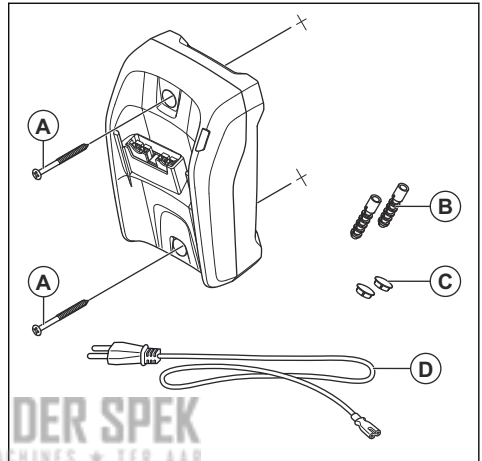
5. Make sure that the collection bag is fully closed.

To install the battery charger on the wall



CAUTION: Do not use an electric screwdriver to install the battery charger to the wall. An electric screwdriver can cause damage to the battery charger.

1. Install the battery charger on the wall with the 2 screws (A). Use wall plugs (B) if it is necessary.



2. Install the 2 screw hole plugs (C).
3. Connect the power cord (D) to the battery charger and a mains socket.

Operation

Introduction



WARNING: Read and understand the safety chapter before you use the product.

To do a function check before you use the product

1. Do a check of the air inlet for dirt and cracks. Use a brush and clean off grass and leaves from the product.
2. Make sure that the product works correctly.
3. Do a check of all nuts and screws and make sure that they are tight.

Battery



WARNING: Read and understand the safety chapter before you use the battery. Read and understand the operator's manual for the battery and the battery charger.

Keep the battery and the battery charger in the correct ambient temperatures.

	Ambient temperature
Operation of the battery	5 °C-40 °C / 41 °F-104 °F
Charging of the battery	5 °C-40 °C / 41 °F-104 °F

LED indicator	Battery state of charge
4 LED lights are on	The battery is 76% - 100% charged.
3 LED lights are on	The battery is 51% - 75% charged.
2 LED lights are on	The battery is 26% - 50% charged.
1 LED light is on	The battery is 6% - 25% charged.
1 LED light flashes	The battery is 0% - 5% charged.

To charge the battery

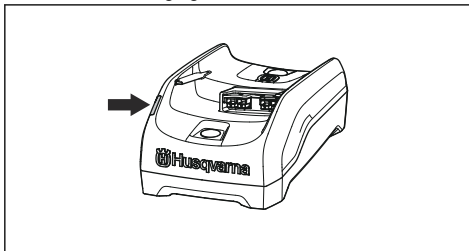
Charge the battery if it is the first time that you use it. A new battery is only 30% charged.



CAUTION: Connect the battery charger to a power outlet with the voltage and frequency that is specified on the rating plate.

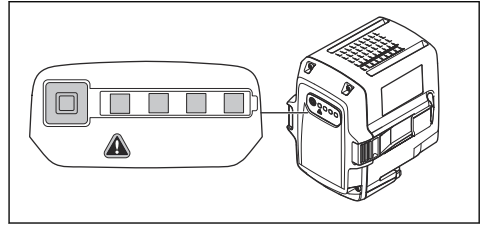
The battery does not charge if the battery temperature is more than 50 °C/122 °F.

1. Connect the power cord to the battery charger.
2. Connect the battery charger to a grounded power outlet. The charging LED flashes one time.

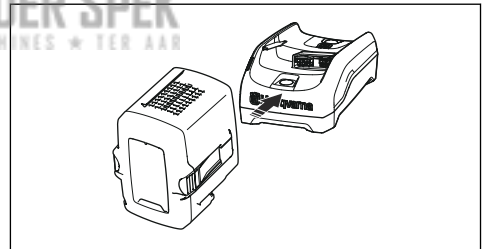


Battery status

The display shows the state of charge and if there are problems with the battery.



3. Connect the battery to the battery charger. The charging LED comes on. Charge the battery for maximum 24 hours.



4. Push the battery indicator button, if all the LED indicators come on, the battery is fully charged.
5. Pull the power plug to disconnect the battery charger from the power outlet. Do not pull the power cord.
6. Remove the battery from the battery charger.

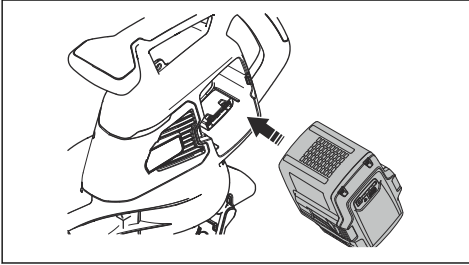
To connect the battery to the product



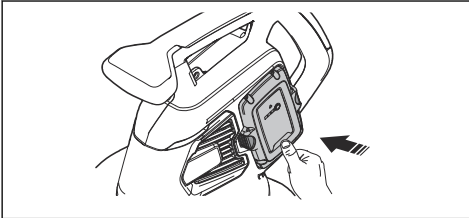
WARNING: Only use Husqvarna original batteries in the product.

1. Make sure that the battery is fully charged.

- Slide the battery into the battery holder of the product. The battery must slide easily, if not, it is not installed correctly.

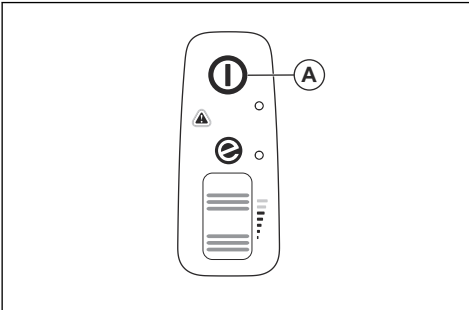


- Press the lower part of the battery and push it in as far as it will go into the battery compartment. The battery will lock into position when you hear a click.
- Make sure that the latches snap in place correctly.

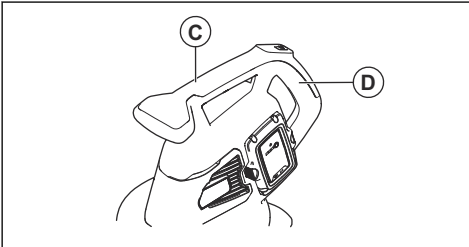


To start the product

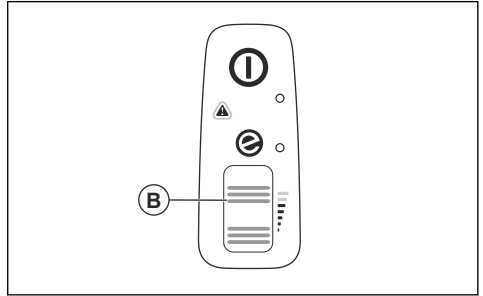
- Push and hold the start/stop button (A) until the green LED light comes on.



- Hold the auxiliary handle (C) with one hand and hold the main handle (D) with the other hand.

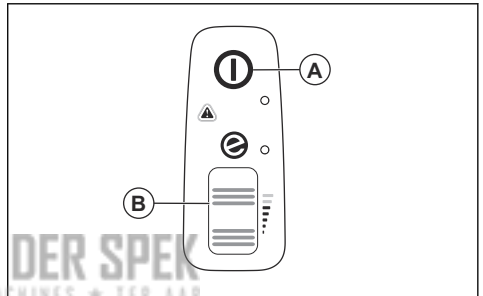


- Scroll the power wheel (B) up to start the blower mode or vacuum mode.



To stop the product

- Scroll the power wheel (B) down to stop the blower model or vacuum mode.

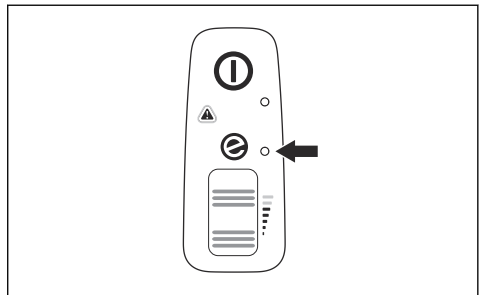


- Push and hold the start/stop button (A) until the green LED light goes off.

ECO mode

ECO mode increases the lifetime of the battery.

- Scroll the power wheel down to start the ECO mode. The LED light comes on when the ECO mode is started.



- Scroll the power wheel up to start the normal mode. The LED light goes off when the normal mode is started.

To empty the collection bag



WARNING:

Sharp objects can cause injury. Do not put your hands in the collection bag when you empty it.

1. Stop the product.
2. Remove the collection bag.
3. Turn the inner side of the collection bag out and remove the collected objects.

4. Clean the collection bag with a water hose.
5. Let the collection bag dry.
6. Assemble the collection bag.

Automatic shutdown function

The product has an automatic shutdown function that stops the product if it is not used. The product shuts down after 1 minute.

Maintenance

Introduction



WARNING: Before you do any maintenance work you must read and understand the safety chapter.

Maintenance schedule



WARNING: Remove the battery before you do maintenance.

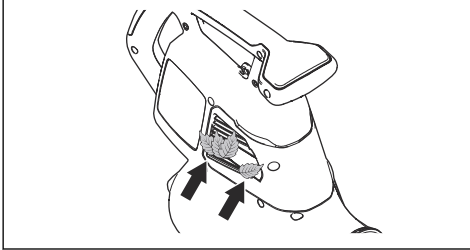
The following is a list of the maintenance steps that you must do on the product.

Maintenance	Daily	Weekly	Monthly
Clean the external surface with a clean and dry cloth. Do not use water.	X		
Keep the handles dry, clean and free from oil and grease.	X		
Make sure that the start/stop button operates correctly and is not damaged.	X		
Make sure the power wheel operates correctly in terms of safety.	X		
Examine the nuts and screws for tightness.	X		
Examine the battery for damage.	X		
	X		
Make sure that the release buttons on the battery operate correctly and that the battery locks into the product.	X		
Examine the battery charger for damage and make sure that it operates correctly.	X		
Examine all couplings, connections and cables for damage and make sure that they are free from dirt.		X	
Examine the connections between the battery and the product and also examine the connection between battery and the battery charger.			X
Clean the airflow slots with a soft brush (do not use a screwdriver).	X		
Remove and clean the blower tube or the vacuum tube.	X		
Empty and clean the collection bag. Refer to To empty the collection bag on page 13.	X		
Remove grass, leaves, dirt or any unwanted material from the intake opening and intake cover.	X		

Maintenance	Daily	Weekly	Monthly
Examine the fan impeller for contamination and clean the fan impeller if necessary with a dull, long object.	X		

To do a check of the air intake

1. Make sure that the air intake is not blocked on the sides on the product.



2. Stop the product and remove leaves or unwanted material if it is necessary.



CAUTION: A blocked air intake decreases the blow capacity of the product and increases the work temperature of the motor. This can

result in motor failure because the motor becomes too hot.

To examine the battery and the battery charger

1. Examine the battery for damages, for example cracks.
2. Examine the battery charger for damages, for example cracks.
3. Make sure that the connection cord of the battery charger is not damaged and that there are no cracks in it.

To clean the product, the battery and the battery charger

1. Clean the product with a dry cloth after use.
2. Clean the battery and battery charger with a dry cloth. Keep the battery guide tracks clean.
3. Make sure that the terminals on the battery and the battery charger are clean before the battery is put in the battery charger or the product.

KEEF VAN DER SPEK

Troubleshooting

User interface

User interface	Possible faults	Possible solution
Red error LED flashes.	Temperature deviation.	Let the product become cool.
	Tube or fan cover is removed.	Assemble the tube or fan cover.
	Battery error.	Replace the battery or charge the battery.
	Servicing is necessary.	Speak to your servicing dealer.
The product does not start.	Dirt in battery connectors.	Clean with compressed air or a soft brush.

Battery

LED display	Possible faults	Possible solution
Green LED flashes.	Low battery voltage.	Charge the battery.
Error LED flashes.	Temperature deviation.	Use the battery in temperatures between -10°C (14°F) and 40°C (104°F).
	Too much voltage.	Make sure that the mains voltage aligns with the voltage of the product. Refer to the rating plate on the product. Remove the battery from the battery charger.
Error LED comes on.	Too much cell difference (1V).	Speak to your servicing dealer.

Battery charger

Condition	Possible faults	Possible procedure
The charging LED is red.	Permanent battery charger error.	Speak to your dealer.
The charging LED flashes green.	Temperature deviation, the battery is too cold or too hot to use or charge.	Let the battery cool down or warm it up. When the battery has the correct temperature, it can be used or charged again. Use the battery charger in ambient temperatures between 5 °C (41 °F) and 40 °C (104 °F).
The charging LED flashes red.	Faulty battery	Speak to your dealer.

Transportation, storage and disposal

Transportation and storage

- The supplied Li-ion batteries obey the Dangerous Goods Legislation requirements.
- Obey the special requirement on package and labels for commercial transportation, including by third parties and forwarding agents.
- Speak to a person with special training in dangerous material before you send the product. Obey all applicable national regulations.
- Use tape on open contacts when you put the battery in a package. Put the battery in the package tightly to prevent movement.
- Always allow the machine to cool before storing.
- Remove the battery for storage or transportation.
- Put the battery and the battery charger in a space that is dry and free from moisture and frost.
- Do not keep the battery in an area where static electricity can occur. Do not keep the battery in a metal box.
- Put the battery in storage where the temperature is between 5°C/41°F and 25°C/77°F and away from open sunlight.
- Put the battery charger in storage where the temperature is between 5 °C/41 °F and 45°C/113°F and away from open sunlight.
- Use the battery charger only when the surrounding temperature is between 5°C/41°F and 40°C/104°F.
- Charge the battery 30% to 50% before you put it in storage for long periods.
- Put the battery charger in storage in a space that is closed and dry.
- Keep the battery away from the battery charger during storage. Do not let children and other not

approved persons to touch the equipment. Keep the equipment in a space that you can lock.

- Clean the product and do a full servicing before you put the product in storage for a long time.
- Use the transportation guard on the product to prevent injuries or damage on the product during transportation and storage.
- Attach the product safely during transportation.

for electrical and electronic equipment. This helps to prevent damage to the environment and to persons.

Speak to local authorities, domestic waste service or your dealer for more information.



Note: The symbol shows on the product or package of the product.

Disposal of the battery, battery charger and product

The symbol below means that the product is not domestic waste. Recycle it at a recycling station

Technical data

Technical data

	120IBV
Motor	
Motor type	BLDC (brushless) 36V
Weight	
Weight without battery, kg	4.6
Noise emissions ¹	
Sound power level, measured dB (A)	97
Sound power level, guaranteed L _{WA} dB (A)	100
Sound levels ²	
Equivalent sound pressure level at the operator's ear, measured according to EN ISO 11203 and ISO 22868, dB (A):	84
Vibration levels ³	
Vibrations levels at front/rear handle, measured according to ISO 22867, m/s ²	1.4/1.7
Fan performance	
Air flow in normal mode with standard nozzle, m ³ /min	6.7
Maximum air velocity in normal mode with standard nozzle, m/s / mph	50/111

Noise and vibration data are determined on the basis of the rated maximum speed.

¹ Noise emissions in the environment measured as sound power (L_{WA}) in conformity with EC directive 2000/14/EC. Reported sound power level for the machine has been measured with the original cutting attachment that gives the highest level. The difference between guaranteed and measured sound power is that the guaranteed sound power also includes dispersion in the measurement result and the variations between different machines of the same model according to Directive 2000/14/EC.

² Reported data for equivalent sound pressure level for the machine has a typical statistical dispersion (standard deviation) of 3 dB (A).

³ Reported data for vibration level has a typical statistical dispersion (standard deviation) of 1.5 m/s².

Approved batteries

Only use Husqvarna original 40-B batteries for this product.

Approved batteries

Battery	40-B140
Type	Lithium-ion
Battery capacity, Ah	4
Nominal voltage, V	36
Weight, kg	1.25

Approved battery chargers

Battery charger	40-C80
Mains voltage, V	100-240
Frequency, Hz	50-60
Power, W	72
Output Voltage, V d.c./ Amps, A	43/1.6

KEES VAN DER SPEK
TUIN EN PARKMACHINES ★ TER AAR

Declaration of Conformity

EU Declaration of conformity

We, **Husqvarna AB**, SE-561 82 Huskvarna, SWEDEN,
tel: +46-36-146500, declare on our sole responsibility
that the product:

Description	Handheld garden blower/vacuum
Brand	Husqvarna
Type / Model	120iBV
Identification	Serial numbers dating from 2022 and onwards

complies fully with the following EU directives and regulations:

Regulation	Description
2006/42/EC	"relating to machinery"
2014/30/EU	"relating to electromagnetic compatibility"
2011/65/EU	"on the restriction of the use of certain hazardous substances in electrical and electronic equipment"
2000/14/EC	"relating to the noise emissions in the environment"

and that the following standards and/or technical specifications are applied: EN 60335-1:2012+A11+A13+A14+A2+A15, EN 50636-2-100:2014, EN IEC 63000:2018, EN ISO 12100:2010, EN IEC 55014-1:2021; EN IEC 55014-2:2021

For information relating to noise emissions, refer to
Technical data on page 16.

Huskvarna, 2023-01-16



Claes Losdal, R&D Manager, Husqvarna AB
Responsible for technical documentation



UK Declaration of conformity

We, **Husqvarna AB**, SE-561 82 Huskvarna, SWEDEN,
tel: +46-36-146500, declare on our sole responsibility
that the product:

Description	Handheld garden blower/vacuum
Brand	Husqvarna
Type / Model	120iBV
Identification	Serial numbers dating from 2022 and onwards

complies fully with the following UK regulations:

Description
The Supply of Machinery (Safety) Regulations 2008
Electromagnetic Compatibility Regulations 2016
The Noise Emission in the Environment by Equipment for use Outdoors Regulations 2001, schedule 8
The Restriction of the Use of Certain Hazardous Substances in Electrical and Electronic Equipment Regulations 2012

and that the following standards and/or
technical specifications are applied: EN
60335-1:2012+A11+A13+A1+A14+A2+A15, EN
50636-2-100:2014, EN IEC 63000:2018, EN ISO
12100:2010, EN IEC 55014-1:2021, EN IEC
55014-2:2021

KES VAN DER SPEK
TUIN EN PARKMACHINES * TER AAR

For information relating to noise emissions, refer to
Technical data on page 16.

Huskvarna, 2023-01-16



Claes Losdal, R&D Manager, Husqvarna AB

Responsible for technical documentation

**UK
CA**

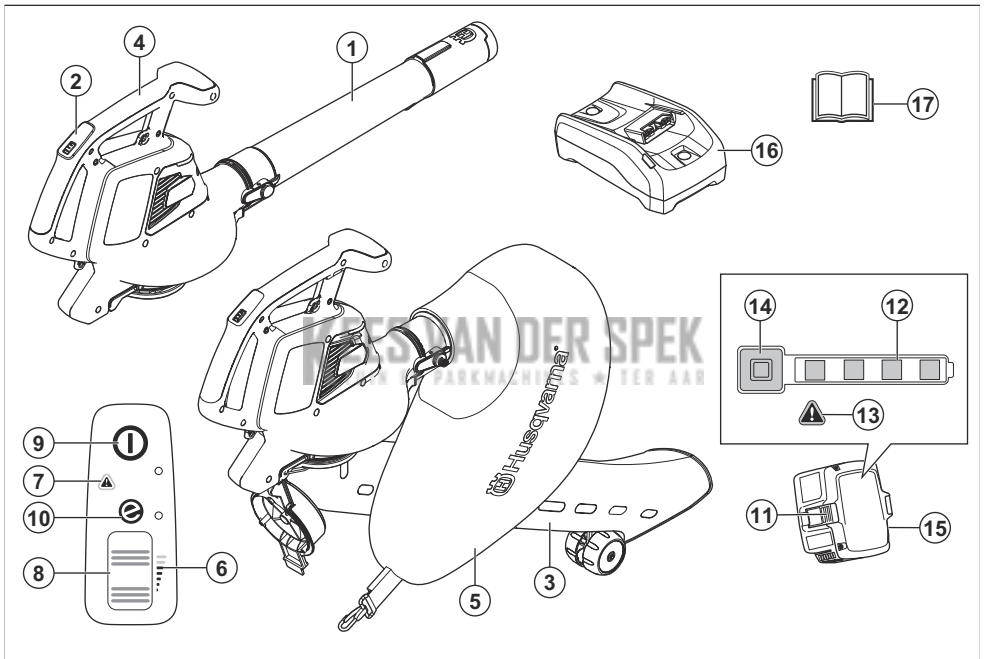
UK Importer:
Husqvarna UK Ltd
Preston Road, Co. Durham
DL5 6UP

Inhalt

Einleitung.....	20	Fehlerbehebung.....	34
Sicherheit.....	22	Transport, Lagerung und Entsorgung.....	35
Montage.....	28	Technische Angaben.....	36
Betrieb.....	30	Konformitätserklärung.....	38
Wartung.....	32		

Einleitung

Geräteübersicht



- | | |
|------------------------------|---|
| 1. Blasrohr | 14. Betriebs- und Warnanzeige |
| 2. Tastatur | 15. Akku, nur im Husqvarna Laubblasgerätesatz 120iBV enthalten |
| 3. Saugrohr | 16. Akkuladegerät, nur im Husqvarna Laubblasgerätesatz 120iBV enthalten |
| 4. Handgriff | 17. Bedienungsanleitung |
| 5. Fangsack | |
| 6. Anzeige für Luftstrom | |
| 7. Warnanzeige (Fehler-LED) | |
| 8. Antriebsrad | |
| 9. Start-/Stopptaste | |
| 10. SavE-Anzeige | |
| 11. Akkuentriegelungstaste | |
| 12. Akkuladestatus | |
| 13. Warnanzeige (Fehler-LED) | |

Gerätebeschreibung

Das Husqvarna 120iBV ist ein Laubblas-/Laubsaugergerät mit Elektromotor.

Wir arbeiten ständig an der Weiterentwicklung unserer Geräte und behalten uns daher das Recht auf Änderungen ohne vorherige Ankündigung, z. B. von Form und Aussehen, vor.

Bestimmungsgemäße Verwendung

Laubblasmodus: Mit dem Laubblasgerät können Schmutzpartikel oder Rasenschnitt von Wegen, Einfahrten, Innenhöfen und dergleichen entfernt werden. Das Gerät eignet sich auch dazu, Rasenschnitt, Stroh oder Blätter anzuhäufen oder um Schmutzpartikel aus Ecken, Fugen oder Spalten zwischen Fliesen oder Ziegeln zu entfernen.

Laubsaugmodus: Mit dem Laubsauggerät kann trockenes Material aufgesaugt werden. Dazu gehören Blätter, Gras, kleine Zweige und Papierstücke.

Symbole auf dem Gerät



WARNUNG: Dieses Gerät kann gefährlich sein und schwere oder tödliche Verletzungen des Bedieners oder anderer Personen verursachen. Gehen Sie vorsichtig vor, und verwenden Sie das Gerät ordnungsgemäß.



Lesen Sie die Bedienungsanleitung sorgfältig durch, und machen Sie sich mit den Anweisungen vertraut, bevor Sie das Gerät benutzen.



Tragen Sie einen zugelassenen Augenschutz.



Nennspannung, V



Gleichstrom.



Etikett mit Geräuschemissionen gemäß EU- und UK-Richtlinien und Verordnungen sowie der australischen „Protection of the Environment Operations (Noise Control) Regulation 2017“ (Umweltschutz-/Lärmschutzbestimmung) von New South Wales. Der garantierte Schalleistungspegel des Geräts ist unter *Technische Angaben auf Seite 36* und auf dem Etikett angegeben.



Trennen Sie den Akku vor der Wartung.



Das Gerät und die Verpackung des Geräts dürfen nicht über den Hausmüll entsorgt werden. Recyceln Sie es an

einer Recyclingstation für elektrische und elektronische Geräte.



Dieses Gerät entspricht den geltenden EG-Richtlinien.



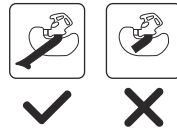
Dieses Gerät entspricht den geltenden UK-Richtlinien.



Verwenden Sie das Gerät nicht bei Regen.



Warten Sie, bis die Rortorklingen nach dem Ausschalten des Geräts zum Stillstand kommen.



Verwenden Sie das Gerät nur im Laubsaugmodus, wenn das Rohr vollständig zusammengesetzt ist.

KEES VAN DER SPEE
TUIN EN PARKMACHINES



Der Bediener des Laubblasgeräts hat dafür zu sorgen, dass Menschen und Tiere einen Abstand von mindestens 15 m einhalten. Wenn mehrere Bediener im selben Nahbereich arbeiten, muss der Sicherheitsabstand mindestens 15 m betragen. Das Laubblasgerät kann Gegenstände mit großer Kraft herausschleudern, die zurückprallen können. Dies kann zu schweren Augenverletzungen führen, wenn die empfohlene Schutzausrüstung nicht getragen wird.



iiij wwwwxx

Auf dem Typenschild ist die Seriennummer angegeben. **yyyy** ist das Produktionsjahr, **ww** steht für die Produktionswoche.

Hinweis: Sonstige Symbole/Aufkleber auf dem Anbaugerät beziehen sich auf spezielle Zertifizierungsanforderungen, die in bestimmten Ländern gelten.

Symbole auf dem Akku und/oder auf dem Ladegerät



Recyceln Sie dieses Gerät an einer Recyclingstation für elektrische und elektronische Geräte. (nur für Europa)



Störungsfreier Transformator.



Das Akkuladegerät darf nur in geschlossenen Räumen benutzt und aufbewahrt werden.



Doppelt isoliert

Hersteller

Husqvarna AB

Drottninggatan 2, SE-561 82 Huskvarna

Produkthaftung

Im Sinne der Produkthaftungsgesetze übernehmen wir keine Haftung für Schäden, die unser Gerät verursacht, wenn...

- das Gerät nicht ordnungsgemäß repariert wird.
- das Gerät mit Teilen repariert wird, die nicht vom Hersteller stammen oder nicht vom Hersteller zugelassen sind.
- ein Zubehörteil mit dem Gerät verwendet wird, das nicht vom Hersteller stammt oder nicht vom Hersteller zugelassen ist.
- das Gerät nicht bei einem zugelassenen Service Center oder von einem zugelassenen Fachmann repariert wird.

Sicherheit

Sicherheitsdefinitionen

Warnungen, Vorsichtsmaßnahmen und Hinweise werden verwendet, um auf besonders wichtige Teile der Bedienungsanleitung hinzuweisen.



WARNUNG: Wird verwendet, wenn bei Nichtbeachtung der Anweisungen in diesem Handbuch die Gefahr von Verletzung oder Tod des Bedieners oder anderer Personen besteht.



ACHTUNG: Wird verwendet, wenn bei Nichtbeachtung der Anweisungen in diesem Handbuch die Gefahr von Schäden am Produkt und/oder am Anbaugerät, an anderen Materialien oder in der Umgebung besteht.

Hinweis: Für weitere Informationen, die in bestimmten Situationen nötig sind.

Allgemeine Sicherheitshinweise



WARNUNG: Lesen Sie die folgenden Warnhinweise, bevor Sie das Gerät verwenden.

- Lesen Sie die Anweisungen sorgfältig, um sich mit den Bedienelementen und dem korrekten Betrieb

des Geräts vertraut zu machen. Eine unsachgemäße oder nachlässige Anwendung des Geräts kann gefährlich werden und zu schweren oder tödlichen Verletzungen des Bedieners oder anderer Personen führen.

- Unter keinen Umständen darf die ursprüngliche Konstruktion des Geräts ohne Genehmigung des Herstellers geändert werden. Arbeiten Sie niemals mit einem Gerät, das ohne Zustimmung des Herstellers modifiziert wurde und verwenden Sie stets Originalzubehör. Unzulässige Änderungen und/oder unzulässiges Zubehör können zu schweren oder sogar tödlichen Verletzungen des Anwenders oder anderer Personen führen. Möglicherweise deckt Ihre Gewährleistung keine Schäden, die durch die Verwendung von nicht zulässigem Zubehör oder nicht zulässigen Ersatzteilen verursacht werden, bzw. keine diesbezügliche Haftung ab.
- Dieses Gerät erzeugt beim Betrieb ein elektromagnetisches Feld. Dieses Feld kann sich unter bestimmten Bedingungen auf die Funktionsweise aktiver oder passiver medizinischer Implantate auswirken. Um die Gefahr von Situationen, die zu schweren oder tödlichen Verletzungen führen können, auszuschließen, sollten Personen mit einem medizinischen Implantat vor der Nutzung dieses Geräts ihren Arzt und den Hersteller des Implantats konsultieren.
- Entfernen Sie den Akku während des Ladens aus dem Gerät.

Allgemeine Sicherheitshinweise für Elektrowerkzeuge

Kontrolle vor dem Start

- Inspizieren Sie den Arbeitsbereich. Entfernen Sie alle losen Gegenstände, z. B. Steine, Glasscherben, Nägel, Drähte, Schnüre usw., die in die Luft geschleudert werden könnten.
- Entnehmen Sie stets den Akku, um einen versehentlichen Start des Geräts zu verhindern. Vor allen Wartungsarbeiten am Gerät ist stets der Akku abzutrennen.
- Vor Gebrauch des Geräts und nach jedem Zusammenstoß muss das Gerät auf Anzeichen von Verschleiß oder Schäden überprüft und ggf. repariert werden.
- Verwenden Sie nur Original-Ersatzteile.
- Der Bediener des Geräts hat darauf zu achten, dass während der Arbeit keine Menschen oder Tiere näher als 15 m an herankommen. Wenn mehrere Bediener am gleichen Einsatzort tätig sind, muss der Sicherheitsabstand mindestens 15 Meter betragen.
- Führen Sie vor dem Gebrauch der Maschine eine Gesamtüberprüfung durch (siehe Wartungsplan).
- Nationale oder regionale Bestimmungen regeln ggf. die Verwendung. Beachten Sie die jeweils gültigen Bestimmungen.

Persönliche Sicherheit

- **Blieben Sie aufmerksam, achten Sie auf das, was Sie tun, und setzen Sie gesunden Menschenverstand ein, wenn Sie mit Elektrowerkzeugen arbeiten. Benutzen Sie keine Elektrowerkzeuge, wenn Sie müde sind oder unter dem Einfluss von Drogen, Alkohol oder Medikamenten stehen.** Bei der Arbeit mit Elektrowerkzeugen können bereits kurze Phasen der Unaufmerksamkeit zu schweren Verletzungen führen.
- Zuschauer sollten einen Sicherheitsabstand einhalten.
- Der Gebrauch des Geräts durch Personen (einschließlich Kindern), die über eingeschränkte körperliche, sensorische oder geistige Fähigkeiten verfügen oder denen es an der erforderlichen Erfahrung und Kenntnissen mangelt, ist untersagt, sofern sie nicht von einer für ihre Sicherheit verantwortlichen Person bei der Arbeit überwacht und im Gebrauch des Geräts zuvor geschult wurden. Lassen Sie keine Kinder mit dem Gerät spielen. Das Gerät ist kein Spielzeug!
- Verhindern Sie, dass Kinder oder Personen, die mit diesen Anweisungen nicht vertraut sind, das Gerät benutzen. Unter Umständen gelten gesetzlich vorgeschriebene Altersbeschränkungen für den Bediener.
- Halten Sie Unbefugte auf Abstand. Kinder, Tiere, Zuschauer und Helfer sollten sich außerhalb einer

Sicherheitszone von 15 m befinden. Stellen Sie das Gerät sofort ab, wenn sich jemand nähert.

- Lagern Sie die Ausrüstung in einem verschließbaren Raum, sodass sie für Kinder und Unbefugte unzugänglich ist.
- Bedienen Sie die Maschine nicht auf einer gepflasterten oder Kiesfläche, wo das ausgeworfene Material Verletzungen verursachen könnte.
- Tragen Sie beim Betrieb des Geräts stets festes Schuhwerk und lange Hosen. Bedienen Sie das Gerät nicht barfuß oder mit Sandalen. Tragen Sie keine lose Kleidung oder Kleidungsstücke mit Fransen oder Troddeln.
- Tragen Sie keine lose Kleidung oder Schmuckstücke, die in den Lufterlass gesaugt werden können. Halten Sie lange Haare von den Lufterlässen fern.
- Arbeiten Sie niemals mit dem Gerät, wenn Sie müde sind, Alkohol getrunken oder Medikamente eingenommen haben, da hierdurch Sehkraft, Urteilsvermögen oder Körperkontrolle beeinträchtigt werden können.
- Tragen Sie persönliche Schutzausrüstung. Siehe Anweisungen unter der Überschrift „Persönliche Schutzausrüstung“.
- Für die Übergabe des Geräts an eine andere Person muss der Akku entnommen werden.
- Denken Sie stets daran, dass Sie als Bediener für eventuell entstehende Sach- und Personenschäden verantwortlich sind.

Verwendung und Pflege von Elektrowerkzeugen

- Arbeiten Sie niemals mit einem Gerät, das ohne Zustimmung des Herstellers modifiziert wurde und nicht mehr mit der Originalausführung übereinstimmt. Das Gerät darf niemals in der Nähe explosiver oder feuergefährlicher Materialien verwendet werden.
- Arbeiten Sie niemals mit einem defekten Gerät. Die Kontroll-, Wartungs- und Serviceanweisungen in dieser Bedienungsanleitung sind genau zu befolgen. Gewisse Wartungs- und Servicemaßnahmen sind von geschulten, qualifizierten Fachleuten auszuführen. Siehe die Anweisungen unter der Überschrift **Wartung**.
- Nur Original-Ersatzteile verwenden.
- Es ist sicherzustellen, dass die Lüftungsöffnungen stets frei von Schmutz sind.
- Vor dem Start müssen sämtliche Abdeckungen, Schutzvorrichtungen und Griffe angebracht sein.
- Betreiben Sie das Gerät nur bei Tageslicht oder guter Beleuchtung.
- Verwenden Sie das Gerät niemals bei schlechtem Wetter, z. B. bei Nebel, Regen, Feuchtigkeit oder an feuchten Orten, bei starkem Wind, großer Kälte, Gewittergefahr usw. Extrem heißes Wetter kann zur Überhitzung des Geräts führen. Der Betrieb

bei schlechtem Wetter ist sehr ermüdend und kann gefährliche Umstände herbeiführen, z. B. Rutschgefahr.

- Wenn das Gerät anfängt, ungewöhnlich zu vibrieren, halten Sie es an und entfernen Sie den Akku.
- Gehen Sie, rennen Sie nicht.

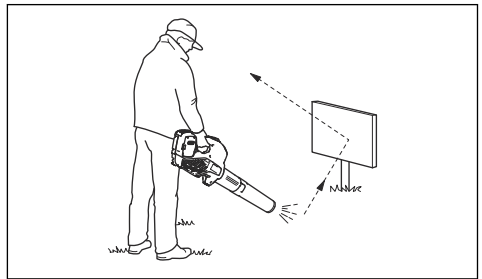
Sicherheitshinweise für den Betrieb



WARNUNG: Lesen Sie die folgenden Warnhinweise, bevor Sie das Gerät verwenden.

- Wenn Sie in eine Situation kommen, die Sie in Bezug auf die weitere Anwendung des Geräts verunsichert, lassen Sie sich von einem Experten beraten. Wenden Sie sich an Ihren Händler oder Ihre Servicewerkstatt. Führen Sie keine Arbeiten aus, mit denen Sie überfordert sind.
- Vergewissern Sie sich, dass Sie sicher gehen und stehen können. Achten Sie auf eventuelle Hindernisse (Wurzeln, Steine, Äste, Löcher, Gräben usw.), wenn Sie unvermittelt Ihren Standort wechseln. Beim Arbeiten auf abschüssigem Boden müssen Sie immer sehr vorsichtig sein.
- Nehmen Sie stets eine sichere Arbeitsstellung mit festem Stand ein. Sorgen Sie für einen festen Stand.
- Achten Sie immer genau auf Warnsignale oder Rufe, wenn Sie den Gehörschutz tragen. Nehmen Sie den Gehörschutz immer ab, sobald das Gerät abgestellt ist.
- Verwenden Sie das Gerät niemals in der Nähe offener Fenster.
- Nehmen Sie Rücksicht auf Menschen in Ihrer Umgebung: Vermeiden Sie es, das Gerät zu unpassenden Zeiten zu verwenden, z. B. am späten Abend oder am frühen Morgen. Befolgen Sie die örtlichen Vorschriften und Verordnungen.
- Verwenden Sie das Gerät mit einem möglichst geringen Luftstrahl. Es ist nur selten notwendig, mit vollem Luftstrahl zu arbeiten. Viele Arbeiten können mit halbem Luftstrahl ausgeführt werden. Ein geringerer Luftstrahl macht nicht nur weniger Lärm, es wird auch weniger Staub aufgewirbelt. Zudem haben Sie eine bessere Kontrolle über das Material, das zusammen- oder weggeblasen werden soll.
- Befeuchten Sie die Oberfläche, wenn Sie das Gerät bei staubigen Bedingungen verwenden.
- Lösen Sie am Boden festsitzenden Unrat mit Hilfe einer Harke oder eines Besens.
- Halten Sie die Ausblasöffnung so nah wie möglich am Boden.
- Behalten Sie Ihre Umgebung im Blick. Richten Sie das Gerät immer von Menschen, Tieren, Spielplätzen, Autos usw. weg.
- Verringern Sie die Blaszeit durch leichtes Befeuchten staubiger Bereiche oder die Verwendung von Sprühhvorrichtungen.

- Achten Sie auf die Windrichtung. Es ist einfacher, mit dem Wind zu arbeiten.
- Stoppen Sie das Gerät und entfernen Sie den Akku, wenn das Gerät ungewöhnlich stark vibriert.
- Das Laubblasgerät sollte nicht zum Verlagern großer Laubhaufen benutzt werden, da dies sehr zeitaufwendig ist und unnötigen Lärm verursacht.
- Hinterlassen Sie Ihren Arbeitsbereich sauber. Vergewissern Sie sich, dass Sie keinen Unrat auf fremde Grundstücke geblasen haben.
- Laufen Sie nicht mit dem Gerät.
- Durch den starken Luftstrahl können Fremdkörper mit einer solchen Geschwindigkeit weggeblasen werden, dass sie zurückprallen und schwere Augenverletzungen hervorrufen.



- Richten Sie den Luftstrahl niemals auf Menschen oder Tiere.
- Stellen Sie den Motor ab, bevor Sie Zubehörteile oder andere Komponenten an- oder abmontieren.
- Halten Sie alle Körperteile von heißen Oberflächen fern.
- Stellen Sie das Gerät niemals im aktivierten Zustand unbeaufsichtigt ab.
- Stoppen Sie das Gerät und entfernen Sie den Akku. Stellen Sie sicher, dass alle beweglichen Teile in folgenden Situationen vollständig zum Stillstand gekommen sind:
 - Wenn Sie sich vom Gerät entfernen
 - Bevor Sie Verstopfungen entfernen oder den Behälter/Auswurf reinigen
 - Bevor Sie das Gerät prüfen, reinigen oder Arbeiten daran ausführen
- Schalten Sie die Stromquelle sofort aus und warten Sie, bis das Gerät stoppt, wenn der Schneidmechanismus auf Fremdkörper trifft oder wenn das Gerät ungewöhnliche Geräusche oder Vibrationen verursacht. Trennen Sie den Akku vom Gerät und führen Sie die folgenden Schritte aus, bevor Sie das Gerät neu starten und bedienen:
 - Prüfen Sie das Gerät auf Schäden.
 - Ersetzen oder reparieren Sie beschädigte Teile.
 - Prüfen Sie das Gerät auf lose Teile und ziehen Sie alle losen Teile fest.

- Schalten Sie die Stromquelle aus und trennen Sie das Gerät vom Akku, bevor Sie Fremdkörper vom Gerät entfernen, sollte es verstopft sein.
- Transportieren Sie dieses Gerät nicht bei laufender Stromversorgung.
- Kippen Sie das Gerät nicht bei laufender Stromversorgung.
- Das Laubblasgerät darf nicht auf Leitern oder Gerüsten benutzt werden.



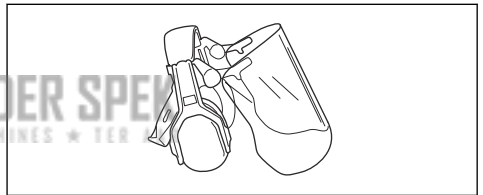
- Sie dürfen das Gerät niemals verwenden, wenn nicht die Möglichkeit besteht, bei einem Unfall Hilfe herbeizurufen.
- Achten Sie auf hochgeschleuderte Gegenstände. Hochgeschleuderte Steine, Unrat usw. können die Augen treffen und Blindheit oder schwere Verletzungen verursachen.
- Verwenden Sie beim Laden des Geräts einen Fehlerstromschutzschalter (RCI), um die Sicherheit zu erhöhen. Ein Fehlerstromgerät wurde zum Schutz des Bedienungspersonals angebracht, falls es zu einem elektrischen Fehler kommen sollte.
- Dieses Gerät ist äußerst vibrationsarm. Personen mit Kreislaufstörungen, die zu oft Vibrationen ausgesetzt werden, laufen Gefahr, Schäden an den Blutgefäßen oder am Nervensystem davonzutragen. Gehen Sie zum Arzt, wenn Sie Symptome feststellen, die darauf hinweisen, dass Sie übermäßigen Vibrationen ausgesetzt waren. Beispiele für solche Symptome sind: Einschlafen von Körperteilen, Gefühlsverlust, Jucken, Stechen, Schmerzen, Verlust oder Beeinträchtigung der normalen Körperkraft, Veränderungen der Hautfarbe oder der Haut. Diese Symptome treten üblicherweise in Fingern, Händen und Handgelenken auf.
- Verwenden Sie das Gerät nur für solche Arbeiten, für die es vorgesehen ist.
- Es ist unmöglich, hier alle denkbaren Situationen zu beschreiben. Gehen Sie stets vorsichtig vor und arbeiten Sie mit gesundem Menschenverstand. Vermeiden Sie Situationen, denen Sie sich nicht gewachsen fühlen. Wenn Sie sich nach dem Lesen dieser Anweisungen immer noch unsicher fühlen, wie Sie vorgehen sollen, bitten Sie einen Fachmann um Rat, bevor Sie fortfahren.

Persönliche Schutzausrüstung

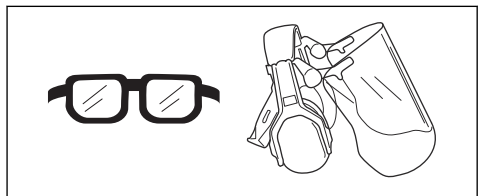


WARNUNG: Lesen Sie die folgenden Warnhinweise, bevor Sie das Gerät verwenden.

- Verwenden Sie stets die vorgeschriebene persönliche Schutzausrüstung bei der Benutzung des Geräts. Die persönliche Schutzausrüstung kann Verletzungen nicht vollständig vermeiden, vermindert aber den Umfang der Verletzungen und Schäden bei einem Unfall. Lassen Sie sich von Ihrem Händler bei der Auswahl der richtigen Ausrüstung unterstützen.
- Eine längerfristige Beschallung mit Lärm kann zu Gehörschäden führen. Grundsätzlich sind akkubetriebene Geräte relativ leise. Durch die Kombination aus Schallpegel und langer Nutzungsdauer kann es jedoch zu Gehörschäden kommen. empfiehlt das Tragen eines Gehörschutzes, wenn das Gerät an einem Tag länger durchgehend benutzt wird. Ständige und regelmäßige Benutzer sollten ihr Gehör regelmäßig untersuchen lassen. Beachten Sie, dass ein Gehörschutz die Wahrnehmung von Geräuschen und Warnsignalen einschränkt.

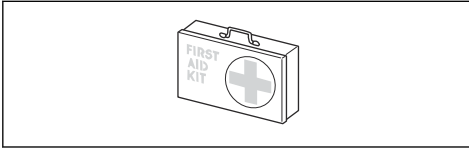


- Tragen Sie einen zugelassenen Augenschutz. Bei der Benutzung eines Visiers ist außerdem eine zugelassene Schutzbrille zu tragen. Zugelassene Schutzbrillen sind in diesem Falle diejenigen, die die Normen ANSI Z87.1 für die USA bzw. EN 166 für EU-Länder erfüllen.



- Tragen Sie Kleidung aus reißfestem Material. Tragen Sie stets lange Hosen aus schwerem Stoff und lange Ärmel. Tragen Sie keine weite Kleidung, die sich leicht an Ästen und Zweigen verfangen könnte. Vermeiden Sie das Tragen von Schmock, kurzen Hosen und Sandalen. Gehen Sie nicht barfuß. Binden Sie Ihre Haare sicherheitsshalber zusammen, sodass sie nicht über Ihre Schultern fallen.

- Halten Sie eine Erste-Hilfe-Ausrüstung und einen Feuerlöscher griffbereit.



- Bei staubigen Arbeitsbedingungen ist ein Atemschutz zu tragen.

Sicherheitsvorrichtungen am Gerät

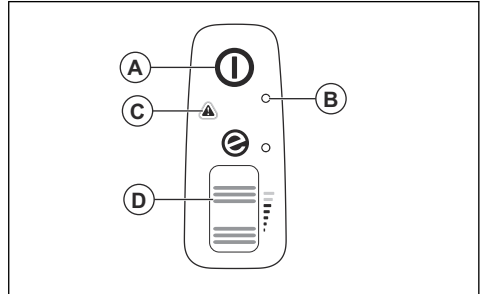


WARNUNG: Lesen Sie die folgenden Warnhinweise, bevor Sie das Gerät verwenden.

- In diesem Abschnitt werden einzelnen Teile der Sicherheitsausrüstung des Gerätes beschrieben, welche Funktion sie haben und wie ihre Kontrolle und Wartung ausgeführt werden sollen, um sicherzustellen, dass sie funktionsfähig sind. Unter der Überschrift *Geräteübersicht auf Seite 20* finden Sie Angaben zur Position der Teile an Ihrem Gerät.
- Die Lebensdauer des Geräts kann verkürzt werden und die Unfallgefahr kann steigen, wenn die Wartung des Geräts nicht ordnungsgemäß und Service und/oder Reparaturen nicht fachmännisch ausgeführt werden. Wenden Sie sich für weitere Informationen an Ihre Vertragswerkstatt.
- Benutzen Sie kein Gerät mit defekten Sicherheitsvorrichtungen. Die Sicherheitsausrüstung des Gerätes muss so kontrolliert und gewartet werden, wie dies in diesem Abschnitt beschrieben wird. Wenn Ihr Gerät diesen Anforderungen nicht entspricht, muss eine Servicewerkstatt aufgesucht werden.
- Service und Reparatur des Geräts erfordern eine Spezialausbildung. Dies gilt besonders für die Sicherheitsausrüstung des Geräts. Wenn Ihr Gerät den unten aufgeführten Kontrollanforderungen nicht entspricht, müssen Sie Ihre Servicewerkstatt aufsuchen. Beim Kauf eines unserer Geräte wird gewährleistet, dass Reparatur- oder Servicearbeiten fachmännisch ausgeführt werden. Sollte der Verkäufer Ihres Geräts nicht an unser Fachhändler-Service-Netz angeschlossen sein, fragen Sie nach unserer nächstgelegenen Servicewerkstatt.

So prüfen Sie die Tastatur

1. Drücken und halten Sie die Start-/Stoptaste (A).



- a) Das Gerät ist eingeschaltet, wenn die LED (B) leuchtet.
 - b) Das Gerät ist ausgeschaltet, wenn die LED (B) aus ist.
2. Siehe *Anwenderschnittstelle auf Seite 34* wenn die Warnanzeige (C) aufleuchtet oder blinkt.
 3. Drücken Sie kurz das Antriebsrad (D), um sicherzustellen, dass es sich frei bewegen kann.

Sicherer Umgang mit Akku



WARNUNG: Lesen Sie die folgenden Warnhinweise, bevor Sie das Gerät verwenden.

- Verwenden Sie nur Akkus der Serie 40-B, die wir für Ihr Gerät empfehlen. Siehe *Zugelassene Akkus auf Seite 36*. Die Akkus verfügen über eine Softwareverschlüsselung.
- Verwenden Sie die Akkus der wiederaufladbaren Serie 40-B nur als Stromversorgung für die zugehörigen Husqvarna Geräte. Um Verletzungen zu vermeiden, verwenden Sie den Akku nicht zur Energieversorgung anderer Geräte.
- Es besteht die Gefahr von elektrischen Schlägen. Verbinden Sie die Akkuklemmen nicht mit Schlüsseln, Schrauben oder anderen metallischen Gegenständen. Dadurch kann es zu einem Kurzschluss des Akkus kommen.
- Benutzen Sie keine Akkus, die nicht wiederaufladbar sind.
- Legen Sie keine Gegenstände in die Luftschlitze des Akkus.
- Halten Sie den Akku von direkter Sonneneinstrahlung, Hitze oder offenem Feuer fern. Der Akku kann Verbrennungen und/oder chemische Verätzungen verursachen.
- Halten Sie den Akku von Regen und Feuchtigkeit fern.
- Halten Sie den Akku von Mikrowellen und hohem Druck fern.
- Versuchen Sie nicht, den Akku zu zerlegen oder aufzubrechen.

- Der Akku darf nur bei Temperaturen zwischen -10 °C (14 °F) und 40 °C (104 °F) verwendet werden.
- Reinigen Sie weder den Akku noch das Ladegerät mit Wasser. Siehe *So reinigen Sie das Gerät, den Akku und das Ladegerät auf Seite 33*.
- Verwenden Sie keine fehlerhaften oder beschädigten Akkus.
- Lagern Sie Akkus getrennt von Metallgegenständen wie Nägeln, Schrauben oder Schmuck.
- Halten Sie den Akku fern von Kindern.

Sicherer Umgang mit dem Ladegerät



WARNUNG: Lesen Sie die folgenden Warnhinweise, bevor Sie das Gerät verwenden.

- Gefahr von elektrischen Schlägen oder Kurzschluss, wenn die Sicherheitshinweise nicht beachtet werden.
- Verwenden Sie nur das mitgelieferte Ladegerät für Ihr Gerät. Verwenden Sie zum Laden von Husqvarna 40-B140 Ersatzakkus ausschließlich 40-C80 Ladegeräte. Siehe *Zugelassene Ladegeräte auf Seite 37* und *Zugelassene Akkus auf Seite 36*.
- Das Ladegerät nicht zerlegen.
- Verwenden Sie keine fehlerhaften oder beschädigten Ladegeräte.
- Heben Sie das Ladegerät nicht am Netzkabel an. Um das Ladegerät von der Steckdose zu trennen, ziehen Sie am Netzstecker. Ziehen Sie nicht am Netzkabel.
- Achten Sie darauf, dass keines der Kabel und Verlängerungskabel mit Wasser, Öl oder scharfen Kanten in Berührung kommt. Achten Sie darauf, dass Kabel nicht zwischen Objekten, z. B. Türen, Zäunen o. Ä., eingeklemmt werden.
- Das Ladegerät darf nicht in der Nähe von entflammaren Materialien oder Materialien, die Korrosion verursachen können, verwendet werden. Vergewissern Sie sich, dass das Ladegerät nicht abgedeckt ist. Bei Rauchentwicklung oder Feuer muss der Stecker des Ladegeräts sofort aus der Steckdose gezogen werden.
- Laden Sie den Akku nur in geschlossenen Räumen an einem Ort mit guter Luftzirkulation und ohne direkte Sonneneinstrahlung. Laden Sie den Akku nicht im Freien. Auf keinen Fall Akkus in feuchter Umgebung laden.
- Verwenden Sie das Ladegerät nur bei mit einer Temperatur zwischen 5 °C (41 °F) und 40 °C

(104 °F). Verwenden Sie das Ladegerät nur in einer gut belüfteten, trockenen und staubfreien Umgebung.

- Legen Sie keine Gegenstände in die Kühlschlitze des Ladegeräts.
- Verbinden Sie die Anschlüsse des Ladegeräts niemals mit Metallgegenständen. Dies kann zu einem Kurzschluss im Ladegerät führen.
- Nutzen Sie zugelassene Steckdosen, die nicht beschädigt sind. Stellen Sie sicher, dass das Kabel des Ladegeräts nicht beschädigt ist. Wenn Verlängerungskabel verwendet werden, stellen Sie sicher, dass diese nicht beschädigt sind.

Sicherheitshinweise für die Wartung



WARNUNG: Lesen Sie folgende Warnhinweise, bevor Sie das Gerät warten.

- Lassen Sie das Gerät abkühlen, wenn Sie es zur Wartung, Prüfung, Lagerung oder zum Austausch von Zubehör ausschalten. Erst dann dürfen Sie es prüfen, Einstellungen vornehmen usw. Warten Sie das Gerät sorgfältig und halten Sie es sauber.
- Entfernen Sie vor Wartungs-, Kontroll- oder Montagearbeiten den Akku.
- Der Bediener darf nur die Wartungs- und Servicearbeiten ausführen, die in dieser Bedienungsanleitung beschrieben sind. Für darüber hinausgehende Wartungs- und Servicearbeiten wenden Sie sich bitte an Ihren Servicehändler.
- Stellen Sie sicher, dass alle Muttern, Bolzen und Schrauben stets fest angezogen sind, um einen sicheren Betriebszustand des Geräts zu gewährleisten.
- Ersetzen Sie verschlissene oder beschädigte Teile.
- Wenn Wartungsarbeiten nicht durchgeführt werden, verringert sich die Lebensdauer des Geräts, und die Unfallgefahr steigt.
- Für alle Service- und Reparaturarbeiten, insbesondere an den Sicherheitsvorrichtungen des Geräts, ist eine spezielle Schulung erforderlich. Wenn nach den Wartungsarbeiten nicht alle in dieser Bedienungsanleitung beschriebenen Prüfungen mit positivem Ergebnis ausfallen, wenden Sie sich an Ihren Servicehändler. Wir garantieren Ihnen, dass für Ihr Gerät professionelle Service- und Reparaturdienste verfügbar sind.
- Verwenden Sie nur Original-Ersatzteile.

Montage

Laubblasmodus



WARNUNG:

Es können Schnittverletzungen entstehen, wenn sich die Rotorklingen drehen oder das Gerät unbeabsichtigt gestartet wird. Entfernen Sie den Akku und warten Sie, bis die Rotorklingen zum Stillstand kommen, bevor Sie das Gerät zusammensetzen.

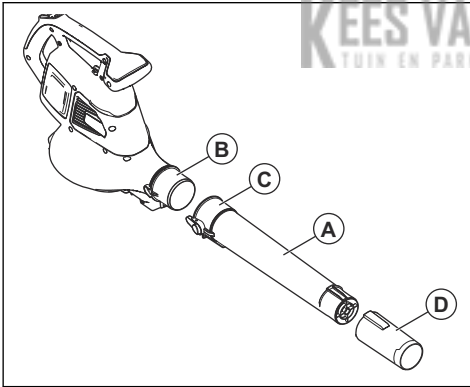


WARNUNG: Setzen Sie das Blasrohr und die Lufteinlassabdeckung vollständig zusammen, bevor Sie das Gerät im Laubblasmodus verwenden.

Zur Montage des Blasrohrs

Hinweis: Wenn das Blasrohr nicht korrekt zusammengesetzt ist, verhindert der Sicherheitsschalter, dass das Laubblasgerät startet.

1. Schieben Sie das Blasrohr (A) vollständig auf den Blausauslass (B). Die Verriegelung (C) rastet mit einem hörbaren Klickgeräusch ein.

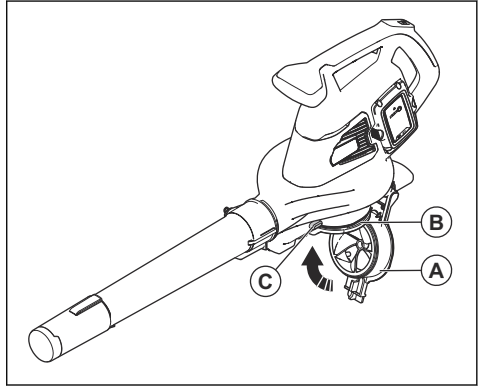


2. Montieren Sie die Ausblasöffnung (D) am Blasrohr. Die Ausblasöffnung rastet mit einem hörbaren Klickgeräusch in der richtigen Position ein.

So setzen Sie die Lufteinlassabdeckung zusammen

Hinweis: Wenn die Lufteinlassabdeckung nicht korrekt montiert ist, verhindert der Sicherheitsschalter, dass das Laubblasgerät startet.

- Schließen Sie die Lufteinlassabdeckung (A) am Laubblaseinlass (B) an. Die Verriegelung (C) rastet mit einem hörbaren Klickgeräusch ein.



Saugmodus



WARNUNG: Setzen Sie das Saugrohr und den Fangsack vollständig zusammen, bevor Sie das Gerät im Laubsaugmodus verwenden.

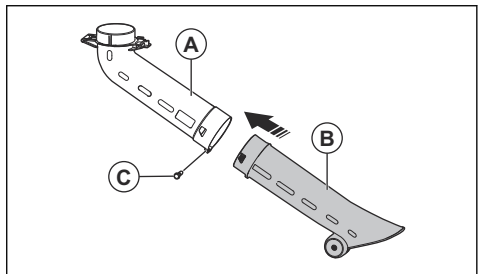
So setzen Sie das Saugrohr zusammen



WARNUNG: Setzen Sie die oberen und unteren Saugrohre zusammen, bevor Sie das Gerät starten.

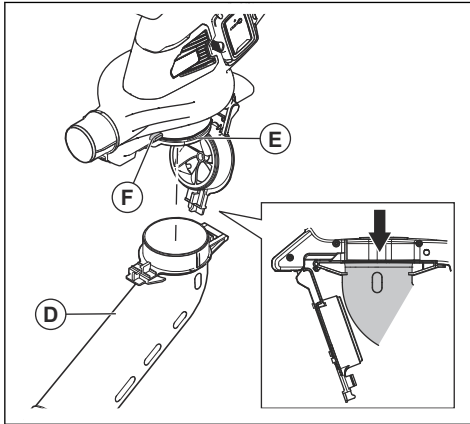
Hinweis: Wenn das Saugrohr nicht korrekt zusammengesetzt ist, verhindert der Sicherheitsschalter, dass das Laubsauggerät startet.

1. Richten Sie die Schlitzte auf dem oberen Saugrohr (A) mit den Laschen auf dem unteren Saugrohr (B) aus.



2. Schieben Sie das untere Saugrohr auf das obere Saugrohr, bis Sie ein Klickgeräusch wahrnehmen.

3. Ziehen Sie die Schraube (C) an.
4. Verbinden Sie das Saugrohr (D) mit dem Saugeinlass (E). Die Verriegelung (F) rastet mit einem hörbaren Klickgeräusch ein.



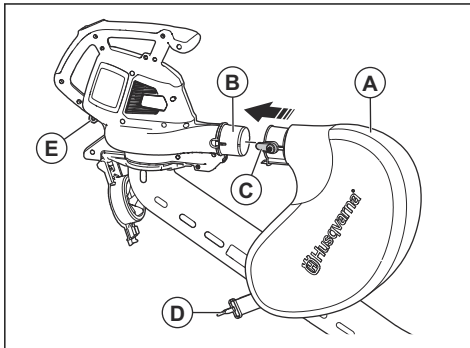
So bauen Sie den Fangsack zusammen

Hinweis: Wenn der Fangsack nicht korrekt zusammengesetzt ist, verhindert der Sicherheitsschalter, dass das Laubsauggerät startet.

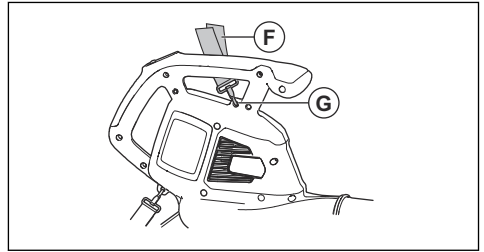


WARNUNG: Schalten Sie das Gerät vor dem Anbringen oder Entfernen des Sacks aus.

1. Nehmen Sie das Blasrohr ab, falls es am Gerät montiert ist.
2. Schieben Sie den Fangsack (A) auf den Saugauslass (B). Die Verriegelung (C) rastet mit einem hörbaren Klickgeräusch ein.



3. Verbinden Sie den Gurt des Fangsack (D) mit der Halterung (E).
4. Verbinden Sie den Schultergurt (F) mit der Halterung (G).



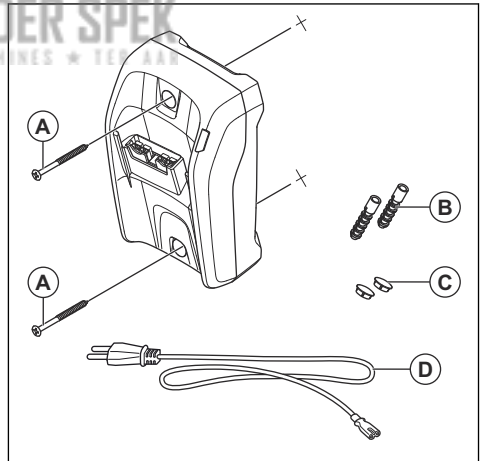
5. Stellen Sie sicher, dass der Fangsack vollständig geschlossen ist.

So installieren Sie das Ladegerät an der Wand



ACHTUNG: Verwenden Sie keinen Akkuschrauber, um das Ladegerät an der Wand zu installieren. Ein Akkuschrauber kann das Ladegerät beschädigen.

1. Befestigen Sie das Ladegerät mit den 2 Schrauben (A) an der Wand. Verwenden Sie bei Bedarf Dübel (B).



2. Setzen Sie die beiden Bohrlochstopfen (C) ein.
3. Schließen Sie das Netzkabel (D) an das Ladegerät und an eine Steckdose an.

Betrieb

Einleitung



WARNUNG: Lesen Sie vor Gebrauch des Geräts das Kapitel über Sicherheit, und machen Sie sich damit vertraut.

So führen Sie eine Funktionsprüfung vor Verwendung des Geräts durch

1. Kontrollieren Sie den Lufteinlass auf Verschmutzung und Risse. Entfernen Sie mit einem Pinsel Gras und Blätter aus dem Gerät.
2. Vergewissern Sie sich, dass das Gerät ordnungsgemäß funktioniert.
3. Prüfen Sie alle Muttern und Schrauben und stellen Sie sicher, dass sie angezogen sind.

Akku



WARNUNG: Lesen Sie vor Gebrauch des Akkus das Kapitel über Sicherheit, und machen Sie sich damit vertraut. Lesen Sie außerdem die Bedienungsanleitung für den

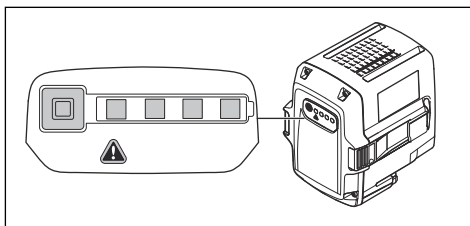
Akku und das Ladegerät, und machen Sie sich damit vertraut.

Sorgen Sie für die richtigen Umgebungstemperaturen von Akku und Ladegerät.

	Umgebungstemperatur
Betrieb des Akkus	5 °C-40 °C/41 °F-104 °F
Laden des Akkus	5 °C-40 °C/41 °F-104 °F

Akkuladezustand

Auf dem Display werden der Ladezustand und eventuelle Störungen des Akkus angezeigt.



LED-Anzeigelampe	Akku-Ladezustand
4 LEDs leuchten	Der Akku ist zu 76 % - 100 % geladen.
3 LEDs leuchten	Der Akku ist zu 51 % - 75 % geladen.
2 LEDs leuchten	Der Akku ist zu 26 % - 50 % geladen.
1 LED leuchtet	Der Akku ist zu 6 % - 25 % geladen.
1 LED blinkt	Der Akku ist zu 0 % - 5 % geladen.

So laden Sie den Akku

Laden Sie den Akku, wenn Sie ihn zum ersten Mal verwenden. Ein neuer Akku ist nur zu 30 % geladen.

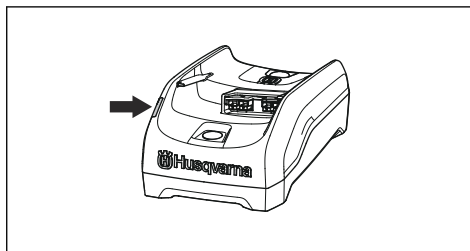


ACHTUNG: Schließen Sie das Ladegerät an eine Steckdose mit der auf dem Typenschild angegebenen Spannung und Frequenz an.

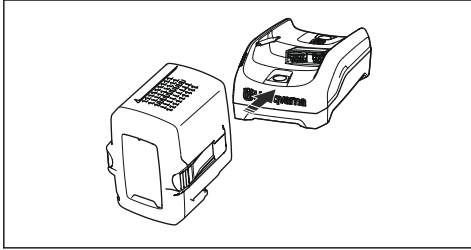
Der Akku wird nicht aufgeladen, wenn die Akkutemperatur mehr als 50 °C/122° F beträgt.

1. Schließen Sie das Netzkabel an das Ladegerät an.

2. Schließen Sie das Ladegerät an eine geerdete Steckdose an. Die Lade-LED blinkt ein Mal.



- Schließen Sie den Akku an das Ladegerät an. Die Lade-LED leuchtet auf. Laden Sie den Akku für maximal 24 Stunden.



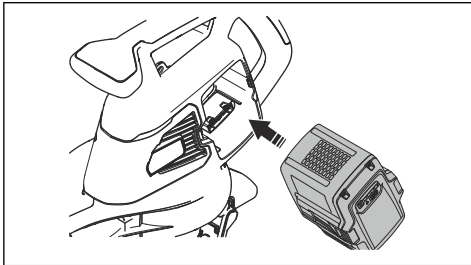
- Drücken Sie die Taste für den Akku-Ladezustand. Wenn alle LED-Anzeigelampen aufleuchten, ist der Akku vollständig geladen.
- Ziehen Sie den Netzstecker, um das Ladegerät von der Steckdose zu trennen. Ziehen Sie nicht am Netzkabel.
- Nehmen Sie den Akku aus dem Ladegerät.

So schließen Sie den Akku an das Gerät an



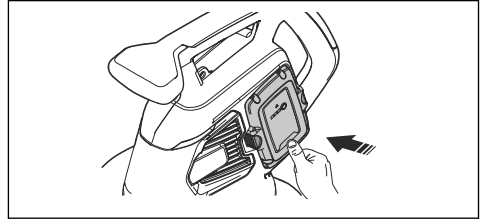
WARNUNG: Verwenden Sie im Gerät nur originale Husqvarna-Akkus.

- Stellen Sie sicher, dass der Akku vollständig geladen ist.
- Schieben Sie den Akku in das Akkufach des Geräts. Der Akku muss leicht einzuführen sein, anderenfalls ist er nicht korrekt eingesetzt.



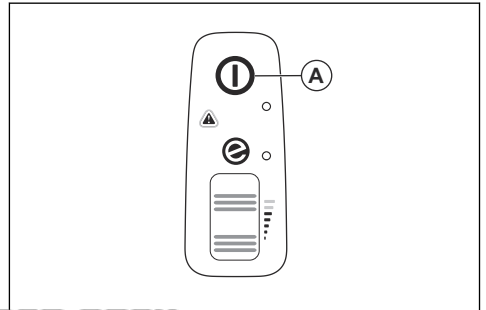
- Drücken Sie den unteren Teil des Akkus so weit wie möglich in das Akkufach. Der Akku verriegelt sich mit einem hörbaren Klickgeräusch in der richtigen Position.

- Stellen Sie sicher, dass die Riegel ordnungsgemäß einschnappen.

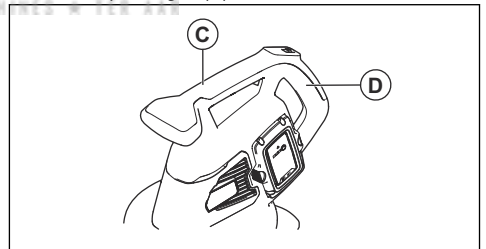


So starten Sie das Gerät

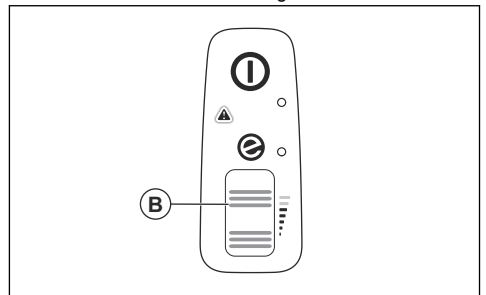
- Drücken und halten Sie die Start-/Stopp-Taste (A), bis die grüne LED erlischt.



- Halten Sie den Zusatzhandgriff (C) mit der einen und den Haupthandgriff (D) mit der anderen Hand.

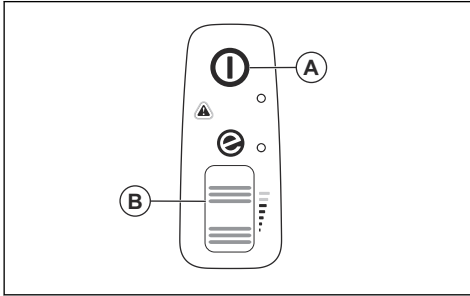


- Drehen Sie das Antriebsrad (B) nach oben, um den Laubblas- oder den Laubsaugmodus zu starten.



So stoppen Sie das Gerät

1. Drehen Sie das Antriebsrad (B) nach unten, um den Laubblas- oder den Laubsaugmodus zu stoppen.

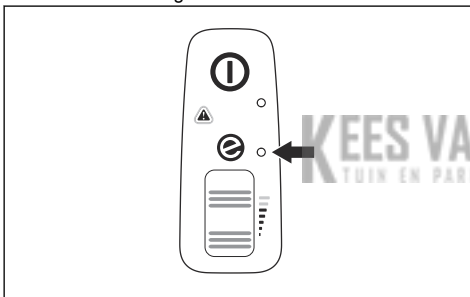


2. Drücken und halten Sie die Start-/Stopp-Taste (A), bis die grüne LED erlischt.

ECO-Modus

Der ECO-Modus verlängert die Nutzungsdauer der Batterie.

- Drehen Sie das Antriebsrad nach unten, um den ECO-Modus zu starten. Die LED leuchtet auf, wenn der ECO-Modus gestartet wird.



- Drehen Sie das Antriebsrad nach oben, um den normalen Modus zu starten. Die LED erlischt, wenn der normale Modus gestartet wird.

Entleeren des Fangsacks



WARNUNG:

Scharfe Objekte können Verletzungen verursachen. Stecken Sie Ihre Hände nicht in den Fangsack, wenn Sie ihn leeren.

1. Stoppen Sie das Gerät.
2. Entfernen Sie den Fangsack.
3. Drehen Sie die Innenseite des Fangsacks nach außen und entfernen Sie die aufgefangenen Objekte.
4. Waschen Sie den Sack mit einem Schlauch aus.
5. Lassen Sie den Fangsack trocknen.
6. Bringen Sie den Fangsack wieder an.

Automatische Abschaltfunktion

Das Gerät verfügt über eine automatische Abschaltfunktion, die das Gerät anhält, wenn es nicht verwendet wird. Das Gerät schaltet sich nach 1 Minute ab.

Wartung

Einleitung



WARNUNG: Vor der Durchführung von Wartungsarbeiten müssen Sie die Sicherheitsinformationen lesen und verstehen.

Wartungsplan



WARNUNG: Entfernen Sie den Akku, bevor Sie Wartungsarbeiten durchführen.

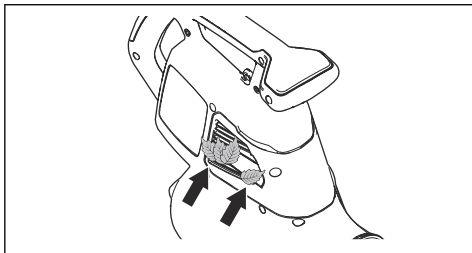
Nachstehend sind die am Gerät vorzunehmenden Wartungsmaßnahmen aufgelistet.

Instand halten	Täglich	Wöchent-lich	Monatlich
Reinigen Sie die Außenfläche mit einem sauberen und trockenen Tuch. Kein Wasser verwenden.	X		
Halten Sie die Griffe trocken, sauber und frei von Öl und Schmierfett.	X		
Vergewissern Sie sich, dass die Start-/Stopp-Taste ordnungsgemäß funktioniert und unbeschädigt ist.	X		

Instand halten	Taglich	Wochent-lich	Monatlich
Vergewissern Sie sich, dass das Antriebsrad in Bezug auf die Sicherheit ordnungsgema funktioniert.	X		
berprfen Sie, ob die Muttern und Schrauben fest sitzen.	X		
Den Akku auf Schaden kontrollieren.	X		
	X		
Vergewissern Sie sich, dass die Entriegelungstasten am Akku ordnungsgema funktionieren und der Akku in das Gerat einrastet.	X		
Das Ladegerat auf Beschadigungen berprfen und sicherstellen, dass es ordnungsgema funktioniert.	X		
Prfen Sie alle Kupplungen, Anschlsse und Kabel auf Beschadigungen und vergewissern Sie sich, dass sie frei von Schmutz sind.		X	
Prfen Sie die Verbindungen zwischen Akku und Gerat sowie zwischen Akku und Ladegerat.			X
Reinigen Sie die Luftschlitze mit einer weichen Brste (verwenden Sie keinen Schraubendreher).	X		
Entfernen und reinigen Sie das Blasrohr oder das Saugrohr.	X		
Leeren und reinigen Sie den Fangsack. Siehe <i>Entleeren des Fangsacks auf Seite 32</i> .	X		
Entfernen Sie Gras, Blatter, Schmutz oder Fremdkrper von der Lufteinlassffnung und der Lufteinlassabdeckung.	X		
Prfen Sie das Lfterrad auf Verschmutzung und reinigen Sie es bei Bedarf mit einem stumpfen, langen Gegenstand.	X		

So prfen Sie den Lufteinlass

1. Achten Sie darauf, dass der Lufteinlass auf keiner Seite des Gerats blockiert ist.



2. Schalten Sie, falls erforderlich, das Gerat ab und entfernen Sie Blatter oder unerwnschte Materialien.



ACHTUNG: Ein verstopfter Lufteinlass verringert die Blasleistung des Gerats und erhht die Betriebstemperatur des Motors. Dadurch

kann der Motor zu hei werden und versagen.

So prfen Sie den Akku und das Ladegerat

1. Untersuchen Sie den Akku auf Schaden, z. B. Risse.
2. Untersuchen Sie das Akkuladegerat auf Schaden, z. B. Risse.
3. Stellen Sie sicher, dass das Verbindungskabel des Akkuladegerats nicht beschadigt ist und dass keine Risse vorhanden sind.

So reinigen Sie das Gerat, den Akku und das Ladegerat

1. Reinigen Sie das Gerat nach jedem Gebrauch mit einem trockenen Tuch.
2. Reinigen Sie Akku und Ladegerat mit einem trockenen Tuch. Die Akkufhrungsschienen sauber halten.
3. Stellen Sie sicher, dass die Klemmen an Akku und Ladegerat sauber sind, bevor der Akku in das Ladegerat oder das Gerat gesteckt wird.

Fehlerbehebung

Anwenderschnittstelle

Anwenderschnittstelle	Mögliche Fehler	Mögliche Abhilfe
Rote Fehler-LED blinkt.	Temperaturabweichung.	Lassen Sie das Gerät abkühlen.
	Rohr- oder Lüfterabdeckung wurde entfernt.	Bringen Sie die Rohr- oder Lüfterabdeckung an.
	Akkufehler.	Ersetzen Sie das Kabel oder tauschen Sie den Akku aus.
	Es sind Servicearbeiten erforderlich.	Wenden Sie sich an Ihren Servicehändler.
Das Gerät springt nicht an.	Schmutz in Akkusteckern.	Mit Druckluft oder einer weichen Bürste reinigen.

Akku

LED-Anzeige	Mögliche Fehler	Mögliche Abhilfe
Grüne LED blinkt.	Zu geringe Akkuspannung.	Akku aufladen.
Fehler-LED blinkt.	Temperaturabweichung.	Der Akku darf nur bei Temperaturen zwischen -10°C (14°F) und 40°C (104°F) verwendet werden.
	Überspannung.	Kontrollieren Sie, ob die Netzspannung mit der auf dem Geräteschild angegebenen Spannung übereinstimmt. Siehe Typenschild des Geräts. Nehmen Sie den Akku aus dem Ladegerät.
Fehler-LED leuchtet auf.	Die Zellendifferenz ist zu groß (1 V).	Den Servicehändler kontaktieren.

Akkuladegerät

Status	Mögliche Fehler	Mögliches Verfahren
Die Lade-LED leuchtet rot.	Dauerhafter Ladegerätfehler.	Wenden Sie sich an Ihren Händler.

Status	Mögliche Fehler	Mögliches Verfahren
Die Lade-LED blinkt grün.	Temperaturabweichung, der Akku ist zu kalt oder zu heiß zum Laden.	Lassen Sie den Akku abkühlen, oder erwärmen Sie ihn. Wenn der Akku die richtige Temperatur hat, kann er wieder verwendet oder aufgeladen werden. Das Akkuladegerät darf nur bei Umgebungstemperaturen zwischen 5 °C und 40 °C verwendet werden.
Die Lade-LED blinkt rot.	Akku defekt	Wenden Sie sich an Ihren Händler.

Transport, Lagerung und Entsorgung

Transport und Lagerung

- Die mitgelieferten Lithium-Ionen-Akkus entsprechen den Anforderungen des Gefahrgutrechts.
- Beachten Sie für den gewerblichen Transport, auch durch Dritte oder Speditionen, die gesonderten Anforderungen auf Verpackung und Etiketten.
- Sprechen Sie sich vor dem Versand des Geräts mit einer Person ab, die speziell im Gefahrgutversand geschult ist. Beachten Sie sämtliche geltenden nationalen Vorschriften.
- Bedecken Sie offene Kontakte mit Klebeband, wenn Sie den Akku in eine Verpackung legen. Stellen Sie sicher, dass der Akku in der Verpackung nicht verrutschen kann.
- Lassen Sie das Gerät vor der Lagerung stets abkühlen.
- Entnehmen Sie den Akku für die Lagerung oder den Transport.
- Bringen Sie den Akku und das Ladegerät an einem Ort unter, der trocken und frei von Feuchtigkeit und Frost ist.
- Lagern Sie den Akku nicht an einem Ort, an dem es zu elektrostatischen Entladungen kommen kann. Bewahren Sie den Akku nicht in einem Metallkasten auf.
- Stellen Sie bei der Lagerung des Akkus sicher, dass die Temperatur zwischen 5 °C/41 °F und 25 °C/77 °F liegt und der Akku keinem direkten Sonnenlicht ausgesetzt ist.
- Stellen Sie bei der Lagerung des Akkuladegeräts sicher, dass die Temperatur zwischen 5 °C/41 °F und 45 °C/113 °F liegt und das Ladegerät keinem direkten Sonnenlicht ausgesetzt ist.
- Das Ladegerät darf nur verwendet werden, wenn die Umgebungstemperatur zwischen 5 °C/41 °F und 40 °C/104 °F liegt.

- Laden Sie den Akku auf 30 bis 50 %, bevor Sie ihn über längere Zeit einlagern.
- Lagern Sie das Akkuladegerät in einem geschlossenen und trockenen Raum.
- Achten Sie bei der Lagerung darauf, dass sich der Akku nicht in unmittelbarer Nähe zum Ladegerät befindet. Kinder und andere nicht befugte Personen dürfen die Ausstattung nicht berühren. Verwahren Sie die Ausstattung in einem abschließbaren Raum.
- Reinigen Sie das Gerät und führen Sie umfassende Servicearbeiten durch, bevor Sie es längere Zeit einlagern.
- Verwenden Sie für das Gerät einen Transportschutz, um Verletzungen oder Schäden am Gerät bei Transport und Lagerung zu vermeiden.
- Befestigen Sie das Gerät während des Transports sicher.

Entsorgung von Akku, Ladegerät und Gerät

Das Symbol unten bedeutet, dass das Gerät nicht über den Hausmüll entsorgt werden darf. Recyceln Sie es an einer Recyclingstation für elektrische und elektronische Geräte. So werden Umwelt- und Personenschäden vermieden.

Weitere Informationen erhalten Sie bei örtlichen Behörden, dem Abfallentsorgungsunternehmen oder Ihrem Händler.



Hinweis: Das Symbol ist auf dem Gerät oder der Verpackung des Geräts zu finden.

Technische Angaben

Technische Daten

	120IBV
Motor	
Motortyp	BLDC (bürstenlos) 36 V
Gewicht	
Gewicht ohne Akku, kg	4,6
Geräuschemissionen ⁴	
Schalleistungspegel, gemessen dB (A)	97
Schalleistungspegel, garantiert L _{WA} dB (A)	100
Schallpegel ⁵	
Äquivalenter Schalldruckpegel am Ohr des Bedieners, gemessen gemäß EN/ISO 11203 und ISO 22868, dB(A):	84
Vibrationspegel ⁶	
Vibrationspegel am vorderen/hinteren Handgriff, gemessen nach ISO 22867, m/s ²	1,4/1,7
Gebälseleistung	
Luftstrahl im Normalmodus mit Standarddüse, m ³ /min	6,7
Maximale Luftgeschwindigkeit im Normalmodus mit Standarddüse, m/s / mph	50/111

Schall- und Vibrationsdaten werden auf der Grundlage der maximalen Geschwindigkeit ermittelt.

Zugelassene Akkus

Verwenden Sie für dieses Gerät nur originale Husqvarna 40-B Akkus.

Zugelassene Akkus

Akku	40-B140
Typ	Lithium-Ionen
Akkukapazität, Ah	4

⁴ Umweltbelastende Geräuschemissionen, gemessen als Schalleistung (L_{WA}) gemäß EG-Richtlinie 2000/14/EG. Der aufgezeichnete Schalleistungspegel für das Gerät wurde unter Verwendung der originalen Schneidusrüstung mit dem höchsten Pegel gemessen. Der Unterschied zwischen garantiertem und gemessenem Schalleistungspegel besteht darin, dass beim garantierten Schalleistungspegel auch eine Streuung im Messergebnis und Variationen zwischen verschiedenen Geräten desselben Modells gemäß der Richtlinie 2000/14/EG berücksichtigt werden.

⁵ Berichten zufolge liegt der Schalldruckpegel für dieses Gerät normalerweise bei einer Ausbreitungsklasse (Standardabweichung) von 3 dB(A).

⁶ Berichten zufolge liegt der Vibrationspegel normalerweise bei einer Ausbreitungsklasse (Standardabweichung) von 1,5 m/s².

Akku	40-B140
Nennspannung, V	36
Gewicht, kg	1,25

Zugelassene Ladegeräte

Akkuladegerät	40-C80
Netzspannung, V	100-240
Frequenz, Hz	50-60
Leistung, W	72
Ausgangsspannung, V DC/ Ampere, A	43/1,6

KEES VAN DER SPEK
 TUIN EN PARKMACHINES ★ TER AAR

Konformitätserklärung

EU-Konformitätserklärung

Die **Husqvarna AB**, SE-561 82 Huskvarna, Schweden,
Tel.: +46-36-146500, erklärt in alleiniger Verantwortung,
dass das Gerät:

Beschreibung	Handgeführtes Laubblas-/Laubsauggerät
Marke	Husqvarna
Typ/Modell	120iBV
Identifizierung	Seriennummern ab 2022

die folgenden EU-Richtlinien und -Verordnungen erfüllt:

Verordnung	Beschreibung
2006/42/EG	„Maschinenrichtlinie“
2014/30/EG	„EMV-Richtlinie“
2011/65/EU	„zur Beschränkung der Verwendung bestimmter gefährlicher Stoffe in Elektro- und Elektronikgeräten“
2000/14/EG	„über umweltbelastende Geräuschemissionen von zur Verwendung im Freien vorgesehenen Geräten und Maschinen“

und dass die folgenden Normen und/oder technischen Daten angewendet werden:
EN 60335-1:2012+A11+A13+A1+A14+A2+A15, EN 50636-2-100:2014, EN IEC 63000:2018, EN ISO 12100:2010, EN IEC 55014-1:2021; EN IEC 55014-2:2021

Informationen zu Geräuschemissionen finden Sie unter
Technische Angaben auf Seite 36.

Huskvarna, 2023-01-16



Claes Losdal, R&D Manager, Husqvarna AB
Verantwortlich für die technische Dokumentation

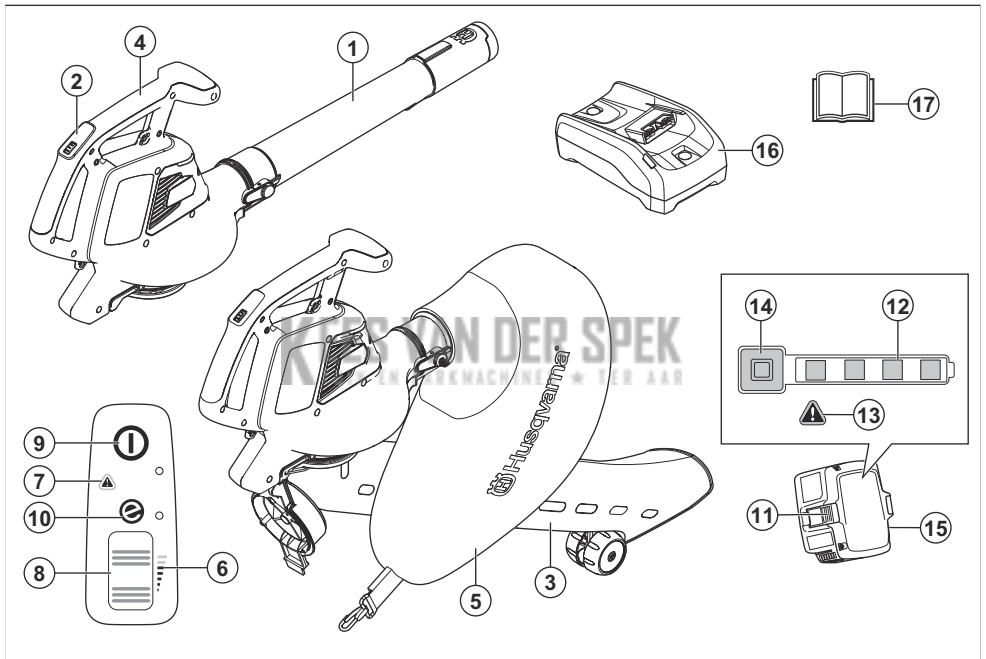


Sommaire

Introduction.....	39	Dépannage.....	53
Sécurité.....	41	Transport, entreposage et mise au rebut.....	54
Montage.....	46	Caractéristiques techniques.....	55
Utilisation.....	48	Déclaration de conformité.....	57
Entretien.....	51		

Introduction

Aperçu du produit



- | | |
|---|---|
| 1. Tube de soufflage | 14. Témoin de puissance et d'avertissement |
| 2. Clavier | 15. Batterie, incluse dans le kit de souffleur Husqvarna 120iBV uniquement |
| 3. Tube d'aspiration | 16. Chargeur de batterie, inclus dans le kit de souffleur Husqvarna 120iBV uniquement |
| 4. Poignée | 17. Manuel d'utilisation |
| 5. Sac de ramassage | |
| 6. Témoin de débit d'air | |
| 7. Témoin d'avertissement (LED d'erreur) | |
| 8. Molette de mode | |
| 9. Bouton marche/arrêt | |
| 10. Indicateur SavE | |
| 11. Bouton de libération de la batterie | |
| 12. État de la batterie | |
| 13. Témoin d'avertissement (LED d'erreur) | |

Description du produit

L'Husqvarna 120iBV est un modèle d'aspirateur-souffleur équipé d'un moteur électrique.

Nous travaillons continuellement au développement de nos produits et nous réservons le droit d'en modifier, entre autres, la conception et l'aspect sans préavis.

Utilisation prévue

Mode souffleur : le souffleur permet d'éliminer la poussière ou les résidus d'herbe des allées, des cours et d'autres lieux extérieurs. Il est également conçu pour souffler l'herbe coupée, la paille ou les feuilles afin de créer des tas, ou pour éliminer la poussière accumulée dans les recoins, les joints ou les espaces entre les dalles ou les briques.

Mode aspirateur : l'aspirateur permet d'aspirer les déchets secs, notamment les feuilles, l'herbe, les brindilles et les morceaux de papier.

Symboles concernant le produit



AVERTISSEMENT : ce produit peut être dangereux et causer des blessures graves, voire mortelles, au conducteur ou à d'autres personnes. soyez prudent et utilisez le produit correctement.



Lisez le manuel d'utilisation et assurez-vous de bien comprendre les instructions avant d'utiliser ce produit.



Utilisez des protections pour les yeux homologuées.

V

Tension nominale, V



Courant continu.



Étiquette relative aux émissions sonores dans l'environnement selon les directives et réglementations européennes et du Royaume-Uni et la législation de la Nouvelle-Galles du Sud « Protection of the Environment Operations (Noise Control) Regulation 2017 ». Le niveau de puissance sonore garanti du produit est spécifié à la section *Caractéristiques techniques* à la page 55 et sur l'étiquette.



Débranchez la batterie avant l'entretien.



Le produit ou son emballage ne font pas partie des ordures ménagères. Déposez-le dans une station de recyclage pour équipements électriques et électroniques.



Le produit est conforme aux directives CE en vigueur.



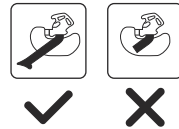
Ce produit est conforme aux directives en vigueur au Royaume-Uni.



Ne les exposez pas à la pluie.



Attendez que les lames du rotor s'immobilisent après avoir éteint le produit.



N'utilisez le produit en mode aspirateur que lorsque le tube est complètement assemblé.



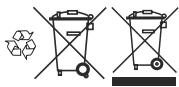
L'opérateur du souffleur doit veiller à ce qu'aucune personne ou aucun animal ne se trouve à moins de 15 mètres. Lorsque plusieurs opérateurs partagent le même lieu de travail, la distance de sécurité doit être de 15 mètres au minimum. Le souffleur peut projeter violemment des objets pouvant ricocher. Ceci peut provoquer de graves blessures aux yeux si l'équipement de protection personnelle recommandé n'est pas utilisé.

yyyy wwxxxx

La plaque signalétique indique le numéro de série. **yyyy** désigne l'année de production et **ww** désigne la semaine de production.

Remarque: Les autres symboles/autocollants présents sur l'accessoire concernent des exigences de certification spécifiques à certains marchés.

Symboles sur la batterie et/ou son chargeur



Déposez ce produit dans une station de recyclage pour équipements électriques et électroniques. (Concerne seulement l'Europe)



Transformateur à sécurité intégrée.



Utilisez et stockez le chargeur de batterie en intérieur uniquement.



Double isolation.

Fabricant

Husqvarna AB

Drottninggatan 2, SE-561 82 Huskvarna

Responsabilité

Conformément à la loi sur la responsabilité du fait des produits, nous déclinons toute responsabilité pour tout dommage causé par notre produit si :

- le produit n'est pas correctement réparé ;
- le produit est réparé avec des pièces qui ne proviennent pas du fabricant ou qui ne sont pas homologuées par le fabricant ;
- le produit est équipé d'un accessoire qui ne provient pas du fabricant ou qui n'est pas homologué par le fabricant ;
- le produit n'est pas réparé par un centre d'entretien agréé ou par une autorité homologuée.

Sécurité

Définitions de sécurité

Des avertissements, des recommandations et des remarques sont utilisés pour souligner des parties spécialement importantes du manuel d'utilisation.



AVERTISSEMENT: Symbole utilisé en cas de risque de blessures ou de mort pour l'opérateur ou les personnes à proximité si les instructions du manuel ne sont pas respectées.



REMARQUE: Symbole utilisé en cas de risque de dommages pour le produit et/ou l'accessoire, d'autres matériaux ou les environs si les instructions du manuel ne sont pas respectées.

Remarque: Symbole utilisé pour donner des informations supplémentaires pour une situation donnée.

Instructions générales de sécurité



AVERTISSEMENT: lisez les instructions qui suivent avant d'utiliser le produit.

- Lisez attentivement les instructions pour vous familiariser avec les commandes et l'utilisation correcte de la machine. Un produit utilisé de manière imprudente ou inadéquate peut devenir un outil dangereux susceptible de causer des blessures graves, voire mortelles, à l'opérateur et aux autres personnes présentes.

- Ne modifiez jamais le produit sans l'autorisation du fabricant. N'utilisez jamais un produit qui a été modifié au point de ne plus être conforme aux spécifications d'origine et utilisez toujours des accessoires d'origine. Des modifications non autorisées et/ou l'emploi d'accessoires non homologués peuvent provoquer des accidents graves, voire mortels, à l'utilisateur ou d'autres personnes. Il est possible que votre garantie ne couvre pas les responsabilités ou dommages associés à l'utilisation d'accessoires ou de pièces de rechange non autorisés.
- Ce produit génère un champ électromagnétique durant son fonctionnement. Ce champ peut dans certaines circonstances perturber le fonctionnement d'implants médicaux actifs ou passifs. Pour réduire le risque de blessures graves ou mortelles, les personnes portant des implants médicaux doivent consulter leur médecin et le fabricant de leur implant avant d'utiliser cet appareil.
- Retirez la batterie du produit avant la charge.

Consignes générales de sécurité relatives à l'outil à moteur

Contrôles avant la mise en marche

- Inspecter la zone de travail. Retirez tous les objets tels que les pierres, les morceaux de verre, les clous, les fils de fer, les bouts de ficelle, etc. pouvant être projetés.
- Retirez toujours la batterie afin d'éviter tout démarrage accidentel de la machine. Débranchez toujours la batterie avant toute opération d'entretien sur la machine.
- En cas d'impact, vérifiez que la machine ne présente ni signe d'usure ni dommage et procédez aux réparations éventuellement nécessaires avant de l'utiliser à nouveau.

- Utilisez uniquement les pièces de rechange d'origine.
- L'utilisateur de la machine doit s'assurer qu'aucune personne ou animal ne s'approche à moins de 15 mètres pendant le travail. Lorsque plusieurs utilisateurs travaillent dans une même zone, il convient d'observer une distance de sécurité d'au moins 15 mètres.
- Effectuez une inspection générale de la machine avant de l'utiliser, voir le Calendrier d'entretien.
- La législation nationale ou locale peut réglementer l'utilisation. Respectez la législation en vigueur.

Sécurité du personnel

- **Restez attentif, regardez ce que vous faites et ayez recours à votre bon sens lorsque vous utilisez un outil électrique. N'utilisez pas d'outil électrique si vous êtes fatigué ou si vous êtes sous l'emprise de drogues, d'alcool ou de médicaments.** Un moment d'inattention pendant l'utilisation d'outils électriques peut entraîner des blessures corporelles graves.
- Éloignez les personnes à proximité.
- Cet appareil n'est pas destiné à une utilisation par des personnes (ou des enfants) aux capacités physiques, sensorielles ou mentales limitées ou manquant d'expérience et de connaissances, sauf si elles bénéficient de la surveillance ou des instructions concernant l'utilisation de l'appareil de la part d'une personne responsable de leur sécurité. Il convient de surveiller les enfants et de les empêcher de jouer avec l'appareil.
- N'autorisez jamais des enfants ou des personnes qui ne sont pas familiarisées avec ces instructions à se servir de ce produit. Les réglementations locales peuvent limiter l'âge de l'utilisateur.
- Maintenez à distance toutes les personnes non concernées par le travail. Les enfants, les animaux, les spectateurs et les collègues de travail doivent se trouver en dehors de la zone de sécurité, soit à au moins 15 m (50 pi). Arrêtez immédiatement la machine si une personne s'approche.
- Entrez l'équipement dans un lieu verrouillable à clé de façon à ce qu'il soit inaccessible aux enfants et aux personnes non autorisées.
- Ne faites pas fonctionner la machine sur une surface pavée ou sur du gravier : d'éventuelles projections risquent de provoquer des blessures.
- Portez toujours des chaussures robustes et un pantalon long lorsque vous utilisez la machine. N'utilisez pas la machine si vous êtes pieds nus ou si vous portez des sandales. Évitez de porter des vêtements amples ou dotés de cordons ou d'attaches qui pendent.
- Ne portez pas de vêtements amples ni de bijoux qui peuvent être aspirés dans la prise d'air. N'approchez pas les cheveux longs des prises d'air.
- N'utilisez jamais la machine en cas de fatigue, de consommation d'alcool ou de prise de médicaments

- susceptibles d'affecter l'acuité visuelle, le jugement ou la maîtrise du corps.
- Portez un équipement de protection individuel. Consultez les instructions au chapitre « Équipement de protection individuel ».
- Retirez toujours la batterie lorsque vous confiez la machine à un tiers.
- N'oubliez pas que c'est vous, l'opérateur, qui êtes responsable de protéger les tiers et leurs biens de tout accident ou danger.

Utilisation et entretien de la machine à usiner

- N'utilisez jamais une machine qui a été modifiée au point de ne plus être conforme au modèle original. N'utilisez jamais la machine près de matériaux explosifs ou inflammables.
- N'utilisez jamais une machine qui n'est pas en parfait état de marche. Appliquez les instructions de maintenance et d'entretien ainsi que les contrôles de sécurité indiqués dans ce manuel d'utilisation. Certaines opérations de maintenance et d'entretien doivent être réalisées par un spécialiste dûment formé et qualifié. Voir les instructions du chapitre Entretien.
- Utilisez uniquement les pièces de rechange d'origine.
- Assurez-vous toujours de l'absence de débris dans les orifices de ventilation.
- Tous les capots, toutes les protections et toutes les poignées doivent avoir été montées avant d'utiliser la machine.
- Utilisez la machine uniquement à la lumière du jour ou dans des conditions d'éclairage appropriées.
- N'utilisez jamais la machine par mauvais temps, par exemple en cas de brouillard, de pluie ou dans des endroits humides ou mouillés, en cas de vents forts, de grand froid, de risque d'orage, etc. Une chaleur extrême peut entraîner une surchauffe de la machine. Travailler par mauvais temps est fatiguant et peut créer des conditions de travail dangereuses telles que des surfaces glissantes.
- Si la machine commence à vibrer de façon anormale, arrêtez-la et déposez la batterie.
- Marchez, ne courez jamais.

Instructions de sécurité pour le fonctionnement

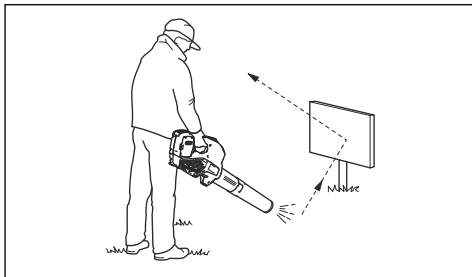


AVERTISSEMENT: lisez les instructions qui suivent avant d'utiliser le produit.

- En cas de doute concernant la marche à suivre, consultez un expert. Adressez-vous à votre revendeur ou à votre atelier d'entretien. Évitez les tâches pour lesquelles vous ne vous sentez pas suffisamment qualifié.

- Assurez-vous de pouvoir vous tenir debout et vous déplacer en toute sécurité. Repérez les éventuels obstacles (racines, pierres, branches, fossés, etc.) en cas de déplacement soudain. Observez la plus grande prudence lorsque vous travaillez sur des terrains en pente.
- Soyez bien en équilibre, les pieds d'aplomb, à tout moment. Ne vous penchez pas trop loin.
- Soyez toujours attentif aux signaux d'avertissement ou aux cris lorsque vous portez des protège-oreilles. Enlevez toujours vos protège-oreilles dès que le produit s'arrête.
- N'utilisez pas le produit à proximité d'une fenêtre ouverte.
- Respectez le voisinage en évitant d'utiliser le produit à des heures indues, par exemple tard le soir ou tôt le matin. Respectez les réglementations et ordonnances en vigueur.
- Utilisez le produit au flux d'air le plus faible. L'utilisation du flux d'air maximal est rarement nécessaire et de nombreux travaux peuvent être effectués à demi-régime. L'utilisation d'un flux d'air plus faible limite les nuisances sonores et la production de poussière. Cela permet également de contrôler plus facilement les déchets à rassembler/déplacer.
- Dans des conditions poussiéreuses, humidifiez légèrement la surface lors de l'utilisation du produit.
- Utilisez un râteau ou un balai pour dégager les déchets enfouis dans le sol.
- Maintenez l'embout du tube de soufflage le plus près possible du sol.
- Restez attentif à votre environnement. Dirigez le produit loin des personnes, des animaux, des aires de jeux, des voitures, etc.
- Réduisez la durée de soufflage en humidifiant légèrement les zones poussiéreuses ou en utilisant un pulvérisateur.
- Tenez compte de la direction du vent. Le travail est plus facile s'il est effectué dans la direction du vent.
- Arrêtez le produit et retirez la batterie si le produit se met à vibrer de façon anormale.
- L'utilisation du souffleur pour déplacer des monticules importants de déchets prend beaucoup de temps tout en étant inutilement bruyante.
- Nettoyez une fois le travail terminé. Assurez-vous que des déchets n'ont pas été accidentellement projetés dans un jardin voisin.
- Ne courez pas avec le produit.

- Le puissant jet d'air peut déplacer des objets à une telle vitesse qu'ils peuvent, en cas de ricochet, causer de graves blessures aux yeux.



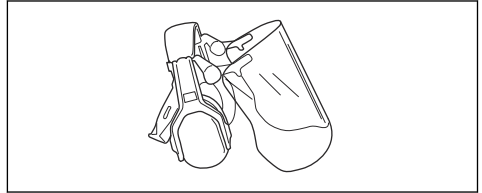
- Ne dirigez jamais le flux d'air vers des personnes ou des animaux.
- Arrêtez le moteur avant d'installer ou de retirer les accessoires ou d'autres composants.
- Maintenez toutes les parties de votre corps à distance des surfaces chaudes.
- Ne posez jamais le produit au sol lorsqu'il est en marche, sauf si vous pouvez le surveiller.
- Arrêtez le produit et retirez la batterie. Assurez-vous que toutes les pièces en mouvement sont totalement à l'arrêt :
 - à chaque fois que vous laissez la machine sur place ;
 - avant d'éliminer des obstructions ou de dégager une goutte ;
 - avant de procéder au contrôle, au nettoyage ou à une intervention sur la machine.
- Coupez immédiatement la source d'alimentation et laissez la machine s'arrêter complètement si le mécanisme de coupe heurte des corps étrangers ou si la machine se met à vibrer ou à émettre des bruits inhabituels. Retirez la batterie de la machine et suivez les étapes ci-après avant de redémarrer et de réutiliser la machine :
 - vérifiez l'absence de dommages ;
 - remplacez ou réparez les pièces endommagées ;
 - identifiez toute pièce desserrée et resserrez-la.
- En cas d'obstruction, coupez l'alimentation et retirez la batterie de la machine avant d'éliminer les matériaux indésirables.
- Ne transportez pas la machine lorsqu'elle est sous tension.
- N'inclinez pas la machine lorsqu'elle est sous tension.

- Le souffleur ne doit pas être utilisé sur des échelles ou des échafaudages.

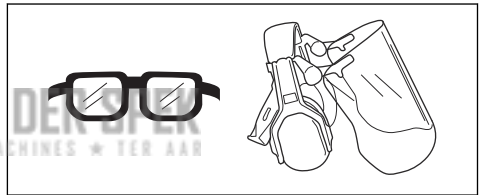


- N'utilisez pas le produit s'il n'est pas possible d'appeler au secours en cas d'accident.
- Attention aux objets projetés. Des cailloux, débris et autres peuvent être projetés dans les yeux et causer des blessures très graves, voire la cécité.
- Utilisez un disjoncteur différentiel de fuite à la terre (RCI) pour plus de sécurité lors de la charge du produit. Un disjoncteur différentiel de fuite à la terre permet de protéger les opérateurs en cas de défaut électrique.
- Ce produit est reconnu pour ses faibles vibrations. Une exposition excessive aux vibrations peut entraîner des troubles circulatoires ou nerveux chez les personnes sujettes à des troubles cardio-vasculaires. Consultez un médecin en cas de symptômes liés à une exposition excessive aux vibrations. Voici les symptômes possibles : engourdissement, perte de sensibilité, chatouillements, picotements, douleur, faiblesse musculaire, décoloration ou modification épidermique. Ces symptômes affectent généralement les doigts, les mains ou les poignets.
- Utilisez le produit uniquement pour les travaux auxquels il est destiné.
- Il est impossible de prévoir toutes les situations que vous pouvez rencontrer. Soyez toujours prudent et utilisez votre bon sens. Évitez les situations que vous n'êtes pas sûr de maîtriser. Si, après avoir lu ces instructions, vous n'êtes toujours pas sûr de la procédure à suivre, demandez conseil à un expert avant de poursuivre.

- Une exposition prolongée au bruit risque de causer des lésions auditives. En règle générale, les produits alimentés par batterie sont relativement silencieux, mais peuvent s'avérer dangereux si le bruit s'accompagne d'une utilisation prolongée. recommande aux utilisateurs de porter des protège-oreilles lorsque le temps d'utilisation total est supérieur à une journée. Les utilisateurs réguliers doivent contrôler fréquemment leur audition. Veuillez noter que les protège-oreilles limitent la capacité à entendre les sons et les signaux d'avertissement.



- Utilisez des protections pour les yeux homologuées. L'usage d'une visière doit toujours s'accompagner du port de lunettes de protection homologuées. Les lunettes de protection doivent être conformes aux normes ANSI Z87.1 (États-Unis) ou EN 166 (pays de l'UE).



- Portez des vêtements fabriqués dans un matériau résistant. Portez toujours des pantalons longs, épais et des manches longues. Ne portez pas de vêtements amples qui risqueraient de se prendre dans les brindilles et les branches. Ne portez pas de bijoux, de shorts, de sandales et ne marchez pas pieds nus. Attachez vos cheveux de façon sécurisée au-dessus de vos épaules.
- Gardez toujours une trousse de premiers soins à portée de main.



- Utilisez une protection respiratoire dans les environnements poussiéreux.

Dispositifs de sécurité sur le produit



AVERTISSEMENT: lisez les instructions qui suivent avant d'utiliser le produit.

Équipement de protection individuel



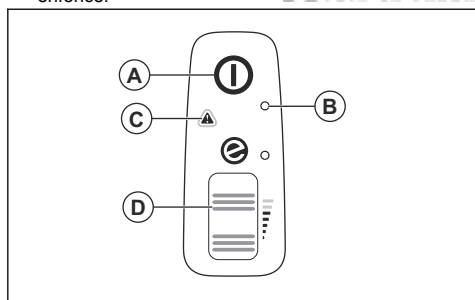
AVERTISSEMENT: lisez les instructions qui suivent avant d'utiliser le produit.

- Portez toujours un équipement de protection individuel homologué lorsque vous utilisez le produit. L'équipement de protection individuel ne protège pas complètement des blessures, mais il diminue la gravité des blessures en cas d'accident. Faites appel à votre revendeur pour vous aider à sélectionner l'équipement adéquat.

- Cette section présente les fonctions de sécurité, les instructions d'utilisation, de contrôle et d'entretien du produit afin de garantir son bon fonctionnement. Reportez-vous aux instructions ci-dessous *Aperçu du produit à la page 39* pour trouver l'emplacement de ces pièces sur votre produit.
- La durée de vie du produit risque d'être écourtée et le risque d'accidents accru si l'entretien du produit n'est pas effectué correctement et si les mesures d'entretien et/ou de réparation ne sont pas effectuées de manière professionnelle. Pour plus d'informations, contactez l'atelier de réparation du revendeur le plus proche.
- N'utilisez jamais un produit dont les équipements de sécurité sont défectueux. Contrôlez et entretenez les équipements de sécurité du produit conformément aux instructions données dans ce chapitre. Si les contrôles du produit ne donnent pas de résultat positif, contactez votre atelier spécialisé pour le faire réparer.
- L'entretien et la réparation du produit exigent une formation spéciale. Cela concerne particulièrement l'équipement de sécurité du produit. Si les contrôles suivants ne donnent pas un résultat positif, adressez-vous à un atelier spécialisé. L'achat de l'un de nos produits offre à l'acheteur la garantie d'un service et de réparations qualifiés. Si le point de vente n'assure pas ce service, adressez-vous à l'atelier spécialisé le plus proche.

Pour contrôler le clavier

1. Appuyez et maintenez le bouton marche/arrêt (B) enfoncé.



- a) Le produit est sous tension lorsque la LED (B) est allumée.
 - b) Le produit est hors tension lorsque la LED (B) est éteinte.
2. Reportez-vous à la section *Interface utilisateur à la page 53* si le témoin d'avertissement (C) est allumé ou clignote.
 3. Appuyez brièvement sur la molette de mode (D) pour vous assurer qu'elle bouge librement.

Consignes de sécurité relatives à l'utilisation de la batterie



AVERTISSEMENT: lisez les instructions qui suivent avant d'utiliser le produit.

- Utilisez uniquement les batteries de la série 40-B que nous recommandons pour votre produit. Reportez-vous à la section *Batteries agréées à la page 55*. Les batteries sont codées par logiciel.
- Utilisez les batteries rechargeables de la série 40-B en tant que source d'alimentation pour les produits Husqvarna uniquement. Afin d'éviter toute blessure, n'utilisez pas la batterie comme source d'alimentation pour d'autres produits.
- Risque de choc électrique. Ne branchez pas les bornes de la batterie à des clés, des vis ou tout autre élément métallique. Cela peut provoquer un court-circuit de la batterie.
- N'utilisez pas de batteries non rechargeables.
- Ne placez pas d'objets dans les fentes d'aération de la batterie.
- Protégez la batterie des rayons directs du soleil, de la chaleur et des flammes nues. La batterie peut provoquer des brûlures et/ou des brûlures chimiques.
- Protégez la batterie de la pluie et de l'humidité.
- Protégez la batterie des micro-ondes et des hautes pressions.
- N'essayez pas de démonter ou de casser la batterie.
- Utilisez la batterie à une température comprise entre -10 °C (14 °F) et 40 °C (104 °F).
- Ne nettoyez pas la batterie ou le chargeur de batterie avec de l'eau. Reportez-vous à la section *Pour nettoyer le produit, la batterie et le chargeur de batterie à la page 53*.
- N'utilisez pas de batterie défectueuse ou endommagée.
- Conservez les batteries en stock à distance des objets métalliques, tels que les clous, les vis ou les bijoux.
- Tenez la batterie hors de portée des enfants.

Consignes de sécurité relatives au chargeur de batterie



AVERTISSEMENT: lisez les instructions qui suivent avant d'utiliser le produit.

- Risque de choc électrique ou de court-circuit si les instructions de sécurité ne sont pas respectées.
- N'utilisez pas d'autres chargeurs de batterie que celui fourni pour votre produit. Utilisez uniquement des chargeurs 40-C80 lorsque vous chargez des batteries de recharge Husqvarna 40-B140.

Reportez-vous à la section *Chargeurs de batterie homologués à la page 56* et *Batteries homologuées à la page 55*.

- N'essayez pas de démonter le chargeur de batterie.
- N'utilisez pas de chargeur de batterie défectueux ou endommagé.
- Ne soulevez pas le chargeur de batterie par le cordon d'alimentation. Pour débrancher le chargeur de batterie d'une prise de courant murale, tirez sur la fiche. Ne tirez pas le cordon d'alimentation.
- Conservez tous les câbles et toutes les rallonges loin de l'eau, de l'huile et des bords tranchants. Veillez à ce que le câble ne soit pas coincé dans des objets tels que des portes, des clôtures ou tout autre équipement similaire.
- N'utilisez pas le chargeur de batterie à proximité de matériaux inflammables ou de matériaux pouvant provoquer la formation de corrosion. Assurez-vous que le chargeur de batterie n'est pas couvert. En cas de dégagement de fumée ou de début d'incendie, débranchez aussitôt la fiche reliée au chargeur de batterie.
- Rechargez la batterie uniquement en intérieur, dans un endroit bien aéré et à l'abri de la lumière. Ne chargez pas la batterie à l'extérieur. Ne rechargez pas la batterie dans des conditions humides.
- Utilisez le chargeur de batterie à une température comprise entre 5 °C (41 °F) et 40 °C (104 °F) uniquement. Utilisez le chargeur dans un environnement bien ventilé, sec et exempt de poussière.
- Ne placez pas d'objets dans les fentes de refroidissement du chargeur de batterie.
- Ne raccordez pas les bornes du chargeur de batterie à des objets métalliques car cela peut court-circuiter le chargeur de batterie.
- Utilisez des prises de courant murales homologuées et non endommagées. Assurez-vous que le câble du

chargeur de batterie n'est pas endommagé. Si des câbles de rallonge sont utilisés, assurez-vous que ceux-ci ne sont pas endommagés.

Instructions de sécurité pour l'entretien



AVERTISSEMENT: lisez les instructions qui suivent avant d'effectuer l'entretien du produit.

- Lorsque la machine est arrêtée à des fins d'entretien, d'examen ou de remisage, ou pour changer un accessoire, laissez-la refroidir avant de procéder. Entretenez correctement la machine et gardez-la propre.
- Retirez la batterie avant tout entretien, contrôle ou assemblage du produit.
- L'utilisateur ne doit effectuer que les travaux de maintenance et d'entretien décrits dans ce manuel d'utilisation. Adressez-vous à votre atelier d'entretien pour toute opération de maintenance et d'entretien de plus grande ampleur.
- Veillez à ce que la totalité des écrous, des boulons et des vis soient correctement serrés afin de garantir une utilisation sûre.
- Remplacez les pièces usées ou endommagées.
- Un défaut d'entretien réduit le cycle de vie du produit et augmente le risque d'accidents.
- Une formation spéciale est nécessaire pour tous les travaux d'entretien et de réparation, en particulier pour les dispositifs de sécurité sur le produit. Si tous les contrôles spécifiés dans ce manuel d'utilisation ne sont pas validés après l'entretien, adressez-vous à votre atelier d'entretien. Nous garantissons la disponibilité d'un service de réparation et d'entretien professionnel pour votre produit.
- Utilisez uniquement les pièces de rechange d'origine.

Montage

Mode souffleur



AVERTISSEMENT:

Risque de coupure lorsque les lames du rotor tournent ou que le produit démarre accidentellement. Retirez la batterie et attendez que les lames du rotor s'arrêtent avant d'assembler le produit.

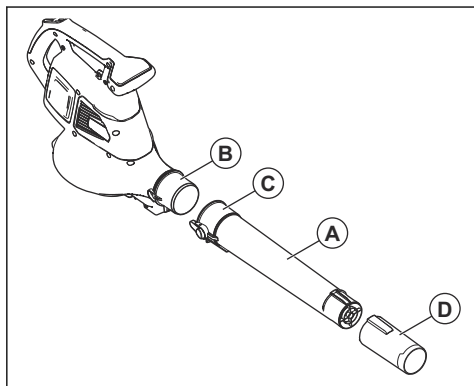


AVERTISSEMENT: Assemblez entièrement le tube de soufflage et le couvercle de la prise d'air avant d'utiliser le produit en mode souffleur.

Pour monter le tube de soufflage

Remarque: En cas d'assemblage incorrect du tube de soufflage, un interrupteur de sécurité empêche le souffleur de démarrer.

1. Poussez le tube de soufflage (A) sur la sortie du souffleur (B). Le verrouillage (C) s'enclenche dans un déclic.

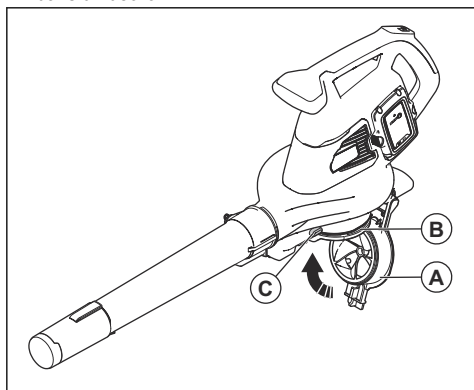


2. Installez la buse du souffleur (D) sur le tube de soufflage. La buse est en place lorsque vous entendez un déclic.

Pour monter le couvercle de la prise d'air

Remarque: En cas d'assemblage incorrect du couvercle de la prise d'air, un interrupteur de sécurité empêche le souffleur de démarrer.

- Fermez le couvercle de la prise d'air (A) sur l'entrée du souffleur (B). Le verrouillage (C) s'enclenche dans un déclic.



Mode aspirateur



AVERTISSEMENT: Assemblez entièrement le tube d'aspiration et le sac de ramassage avant d'utiliser le produit en mode aspirateur.

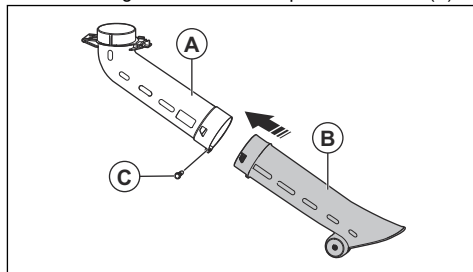
Pour monter le tube d'aspiration



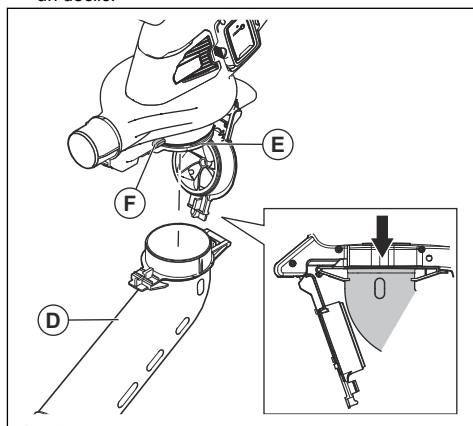
AVERTISSEMENT: Assemblez les tubes d'aspiration supérieur et inférieur avant de démarrer le produit.

Remarque: En cas d'assemblage incorrect du tube d'aspiration, un interrupteur de sécurité empêche l'aspirateur de démarrer.

1. Alignez les fentes du tube d'aspiration supérieur (A) sur les languettes du tube d'aspiration inférieur (B).



2. Poussez le tube d'aspiration inférieur sur le tube d'aspiration supérieur jusqu'à ce que vous entendiez un déclic.
3. Serrez la vis (C).
4. Installez le tube d'aspiration (D) sur l'entrée d'aspiration (E). Le verrouillage (F) s'enclenche dans un déclic.



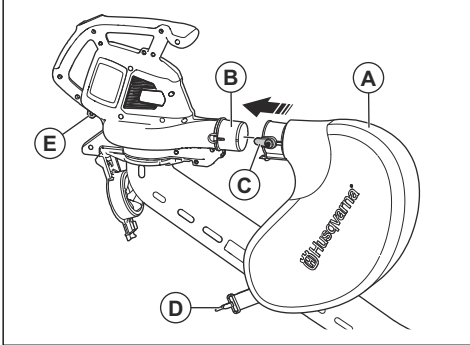
Pour installer le sac de ramassage

Remarque: En cas d'assemblage incorrect du sac de ramassage, un interrupteur de sécurité interrompt la procédure du démarrage du produit.

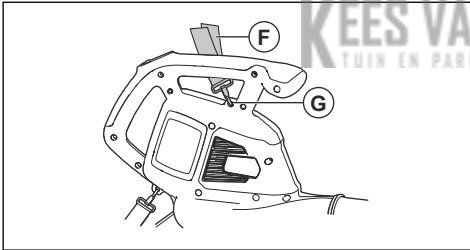


AVERTISSEMENT: Éteignez la machine avant d'attacher ou de retirer le sac.

1. Retirez le tube de soufflage s'il est installé sur le produit.
2. Poussez le sac de ramassage (A) sur la sortie de l'aspirateur (B). Le verrouillage (C) s'enclenche dans un déclic.



3. Accrochez la sangle du sac de ramassage (D) sur le dispositif de retenue (E).
4. Accrochez la bandoulière (F) sur le dispositif de retenue (G).



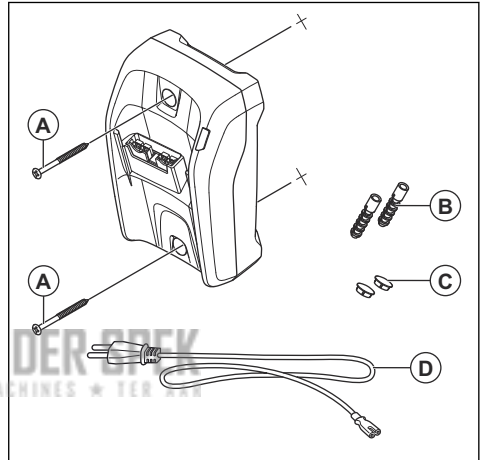
5. Assurez-vous que le sac de ramassage est complètement fermé.

Pour installer le chargeur de batterie sur un mur



REMARQUE: n'utilisez pas de tournevis électrique pour installer le chargeur de batterie sur le mur. Un tournevis électrique peut endommager le chargeur de batterie.

1. Installez le chargeur de batterie sur le mur à l'aide des 2 vis (A). Utilisez des chevilles murales (B) si nécessaire.



2. Installez les 2 capuchons de trou de vis (C).
3. Branchez le cordon d'alimentation (D) du chargeur de batterie sur une prise de courant murale.

Utilisation

Introduction



AVERTISSEMENT: Assurez-vous de lire et de comprendre le chapitre dédié à la sécurité avant d'utiliser l'appareil.

Pour effectuer un contrôle du fonctionnement avant d'utiliser le produit

1. Vérifiez que l'admission d'air ne présente ni fissures ni saletés. Utilisez une brosse et retirez l'herbe et les feuilles coincées dans le produit.
2. Contrôlez le bon fonctionnement du produit.

3. Contrôlez toutes les vis et tous les écrous et assurez-vous qu'ils sont serrés.

Batterie



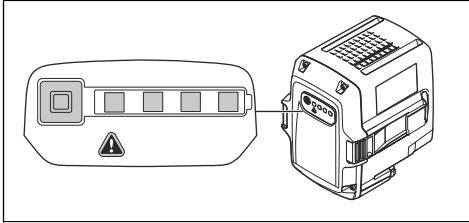
AVERTISSEMENT: assurez-vous de lire et de comprendre le chapitre dédié à la sécurité avant d'utiliser la batterie. Assurez-vous également de lire et comprendre le manuel d'utilisation de la batterie et du chargeur de batterie.

Maintenez la batterie et le chargeur de batterie à des températures ambiantes correctes.

	Température ambiante
Fonctionnement de la batterie	5 °C-40 °C / 41 °F-104 °F
Charge de la batterie	5 °C-40 °C / 41 °F-104 °F

État de la batterie

L'écran indique l'état de charge ainsi que tout problème éventuel lié à la batterie.



Témoin LED	État de charge de la batterie
4 voyants LED sont allumés	La batterie est chargée à 76 % - 100 %.
3 voyants LED sont allumés	La batterie est chargée à 51 % - 75 %.
2 voyants LED sont allumés	La batterie est chargée à 26 % - 50 %.
1 voyant LED est allumé	La batterie est chargée à 6 % - 25 %.
1 voyant LED clignote	La batterie est chargée à 0 % - 5 %.

Pour charger la batterie

chargez la batterie si vous l'utilisez pour la première fois. Une batterie neuve n'est chargée qu'à 30 %.

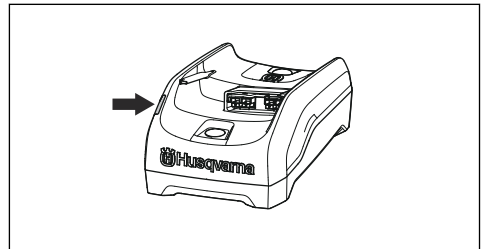


REMARQUE: branchez le chargeur de batterie sur une prise de courant à la tension et à la fréquence indiquées sur la plaque signalétique.

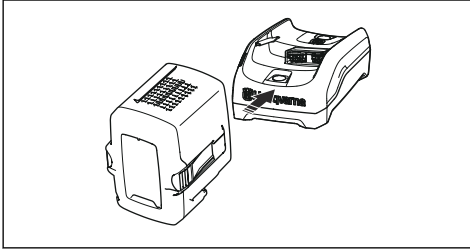
La batterie ne charge pas si la température de la batterie est supérieure à 50 °C/122 °F.

1. Branchez le cordon d'alimentation sur le chargeur de batterie.

2. Branchez le chargeur de batterie sur une prise de courant mise à la terre. La LED de charge clignote une fois.



3. Insérez la batterie dans le chargeur de batterie. La LED de charge s'allume. Chargez la batterie pendant 24 heures au maximum.



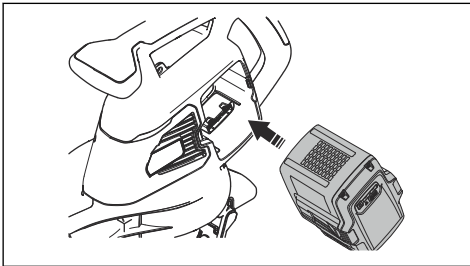
4. Appuyez sur le bouton d'indicateur de batterie. Si tous les témoins LED s'allument, la batterie est complètement chargée.
5. Tirez sur la prise électrique pour débrancher le chargeur de batterie de la prise de courant. Ne tirez pas le cordon d'alimentation.
6. Dégagez la batterie du chargeur de batterie.

Pour fixer la batterie au produit



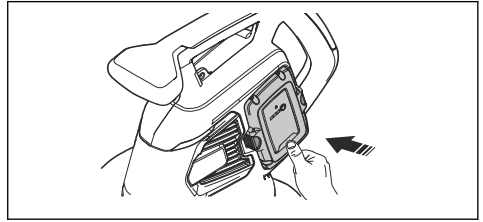
AVERTISSEMENT: Utilisez uniquement des batteries d'origine Husqvarna dans le produit.

1. Assurez-vous que la batterie est complètement chargée.
2. Faites glisser la batterie dans le support de batterie du produit. La batterie doit glisser facilement ; si ce n'est pas le cas, elle n'est pas installée correctement.



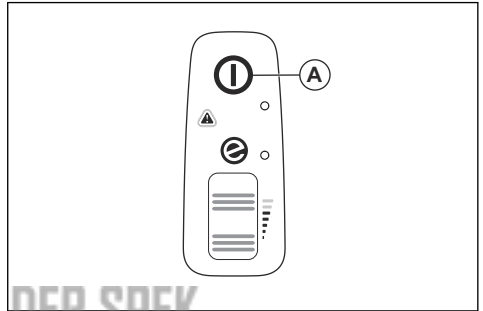
3. Appuyez sur la partie inférieure de la batterie et poussez-la complètement dans le compartiment de batterie. La batterie est bien installée dans son logement lorsque vous entendez le dé clic.

4. Vérifiez que les verrous se positionnent correctement.

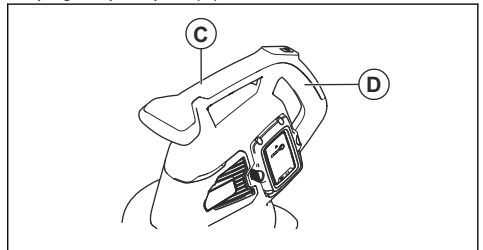


Pour démarrer le produit

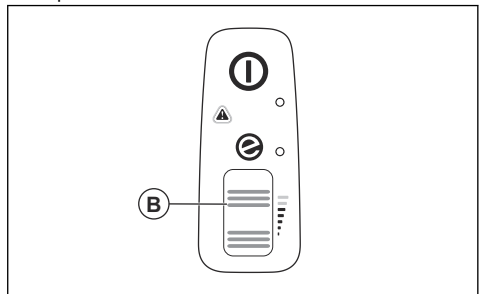
1. Appuyez sur le bouton marche/arrêt (A) et maintenez-le enfoncé jusqu'à ce que la LED verte s'allume.



2. Tenez la poignée auxiliaire (C) d'une main et la poignée principale (D) de l'autre main.

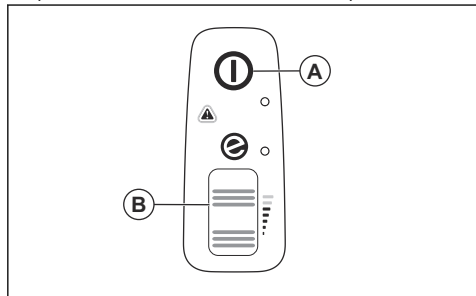


3. Faites défiler la molette de mode (B) vers le haut pour engager le mode souffleur ou le mode aspirateur.



Pour arrêter le produit

1. Faites défiler la molette de mode (B) vers le bas pour arrêter le mode ventilateur ou aspirateur.



2. Appuyez sur le bouton marche/arrêt (A) et maintenez-le enfoncé jusqu'à ce que la LED verte s'éteigne.

Mode ECO

Le mode ECO prolonge la durée de vie de la batterie.

- Faites défiler la molette de mode vers le bas pour activer le mode ECO. La LED s'allume lorsque le mode ECO est activé.



- Faites défiler la molette de mode vers le haut pour activer le mode normal. La LED s'éteint lorsque le mode normal est activé.

Pour vider le sac de ramassage



AVERTISSEMENT:

Les objets pointus peuvent provoquer des blessures. Ne plongez pas les mains dans le sac de ramassage lorsque vous le videz.

1. Arrêtez le produit.
2. Retirez le sac de ramassage.
3. Retournez le sac de ramassage sur lui-même et videz les déchets ramassés.
4. Lavez le sac de ramassage avec un tuyau d'arrosage.
5. Laissez le sac de ramassage sécher.
6. Réinstallez le sac de ramassage.

Fonction d'arrêt automatique

Le produit est équipé d'une fonction d'arrêt automatique qui arrête le produit s'il n'est pas utilisé. Le produit s'éteint au bout de 1 minute.

Entretien

Introduction



AVERTISSEMENT: Avant d'effectuer des travaux d'entretien, vous devez lire et comprendre le chapitre sur la sécurité.

Calendrier d'entretien



AVERTISSEMENT: Retirez la batterie avant d'effectuer l'entretien.

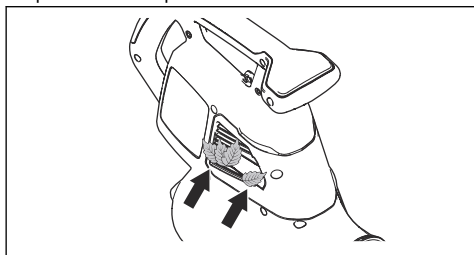
La liste ci-dessous indique les étapes d'entretien à effectuer sur le produit.

Entretien	Tous les jours	Toutes les semaines	Mensuel
Nettoyez la surface extérieure à l'aide d'un chiffon sec et propre. N'utilisez pas d'eau.	X		

Entretien	Tous les jours	Toutes les semaines	Mensuel
Nettoyez les poignées pour qu'elles restent toujours propres, sèches et exemptes d'huile et de graisse.	X		
Assurez-vous que le bouton marche/arrêt fonctionne correctement et qu'il n'est pas endommagé.	X		
Assurez-vous que la molette de mode fonctionne correctement et qu'elle ne présente pas de défaut de sécurité.	X		
Vérifiez le serrage des écrous et des vis.	X		
Examinez la batterie afin de détecter d'éventuels dommages.	X		
	X		
Vérifiez que les boutons de déverrouillage de la batterie fonctionnent correctement et que la batterie se fixe dans le produit.	X		
Examinez le chargeur de batterie afin de détecter d'éventuels dommages et assurez-vous qu'il fonctionne correctement.	X		
Contrôlez tous les raccords, les connexions et les câbles à la recherche de dommages et assurez-vous qu'ils sont exempts de saletés.		X	
Vérifiez les connexions entre la batterie et le produit, ainsi que la connexion entre la batterie et son chargeur.			X
Nettoyez les fentes laissant passer le flux d'air à l'aide d'une brosse douce (n'utilisez pas de tournevis).	X		
Retirez et nettoyez le tube de soufflage ou le tube d'aspiration.	X		
Videz et nettoyez le sac de ramassage. Reportez-vous à la section <i>Pour vider le sac de ramassage à la page 51.</i>	X		
Retirez l'herbe, les feuilles, la poussière ou tout corps étranger de la prise d'air et du couvercle de la prise d'air.	X		
Vérifiez que la turbine du ventilateur n'est pas obstruée et nettoyez-la si nécessaire à l'aide d'un objet long non tranchant.	X		

Pour contrôler la prise d'air

1. Assurez-vous que les prises d'air sur les côtés du produit ne sont pas obstruées.



2. Arrêtez le produit et retirez les feuilles ou les matériaux indésirables si nécessaire.



REMARQUE: Une prise d'air obstruée réduit la capacité de soufflage du produit et augmente la température de travail du moteur. Cela peut entraîner une défaillance du moteur car celui-ci devient trop chaud.

Pour examiner la batterie et le chargeur de batterie

1. Examinez la batterie pour détecter tout dommage, par exemple des fissures.
2. Examinez le chargeur de batterie pour détecter tout dommage, par exemple des fissures.
3. Assurez-vous que le cordon de raccordement du chargeur de batterie n'est pas endommagé et qu'il n'est pas fissuré.

Pour nettoyer le produit, la batterie et le chargeur de batterie

1. Nettoyez le produit avec un chiffon sec après utilisation.
2. Nettoyez la batterie et le chargeur de batterie avec un chiffon sec. Veillez à maintenir les rails guides de la batterie en parfait état de propreté.

3. Assurez-vous que les bornes de la batterie et du chargeur de batterie sont propres avant d'insérer la batterie dans le chargeur ou le produit.

Dépannage

Interface utilisateur

Interface utilisateur	Défaillances possibles	Solution possible
La LED d'erreur rouge clignote.	Écart de température.	Laissez le produit refroidir.
	Le tube ou le couvercle du ventilateur n'est pas installé.	Assemblez le tube ou le couvercle du ventilateur.
	Erreur de batterie.	Remplacez la batterie ou chargez-la.
	L'entretien est nécessaire.	Contactez votre atelier d'entretien.
Le produit ne démarre pas.	Les connecteurs de batterie sont encrassés.	Nettoyez à l'aide d'air comprimé ou d'une brosse douce.

Batterie

Écran LED	Défaillances possibles	Solution possible
La LED verte clignote.	Tension de batterie faible.	Rechargez la batterie.
La LED d'erreur clignote.	Écart de température.	Utilisez la batterie à une température comprise entre -10 °C (14 °F) et 40 °C (104 °F).
	Tension trop élevée.	Assurez-vous que la tension secteur correspond à la tension du produit. Reportez-vous à la plaque signalétique sur le produit. Dégagez la batterie du chargeur de batterie.
La LED d'erreur s'allume.	Différence trop importante entre les cellules (1 V).	Contactez votre atelier d'entretien.

Chargeur de batterie

État	Défaillances possibles	Procédure possible
La LED de charge est rouge.	Erreur de chargeur de batterie permanente.	Parlez-en à votre revendeur.
La LED de charge clignote en vert.	Écart de température, la batterie est trop froide ou trop chaude pour être utilisée ou chargée.	Laissez la batterie refroidir ou réchauffez-la. Lorsque la température de la batterie est correcte, elle peut à nouveau être utilisée ou rechargée. Utilisez le chargeur de batterie à des températures ambiantes comprises entre 5 °C (41 °F) et 40 °C (104 °F).
La LED de charge clignote en rouge.	Batterie défectueuse	Parlez-en à votre revendeur.

Transport, entreposage et mise au rebut

Transport et stockage

- Les batteries Li-Ion fournies respectent les exigences de la législation sur les marchandises dangereuses.
- Vous devez respecter l'exigence spécifique relative à l'emballage et aux étiquettes pour le transport commercial, y compris par des tiers et des transitaires.
- Consultez un expert en matières dangereuses avant d'expédier le produit. Respectez les lois nationales en vigueur.
- Mettez du ruban adhésif sur les contacts lorsque vous placez la batterie dans un emballage. Placez la batterie dans l'emballage de façon hermétique pour empêcher tout mouvement.
- Laissez toujours la machine refroidir avant de la remiser.
- Retirez la batterie lors du stockage ou du transport.
- Placez la batterie et le chargeur de batterie dans un endroit sec, à l'abri de l'humidité et du gel.
- Ne conservez pas la batterie dans un endroit présentant un risque d'électricité statique. Ne conservez pas la batterie dans une boîte métallique.
- Conservez la batterie dans un endroit où la température est comprise entre 5 °C (41 °F) et 25 °C (77 °F) et à l'abri de la lumière du soleil.
- Conservez le chargeur de batterie dans un endroit où la température est comprise entre 5 °C (41 °F) et 45 °C (113 °F) et à l'abri de la lumière du soleil.
- N'utilisez le chargeur de batterie que si la température ambiante est comprise entre 5 °C (41 °F) et 40 °C (104 °F).
- Chargez la batterie entre 30 % et 50 % avant de la remiser pendant des périodes prolongées.

- Conservez le chargeur de batterie dans un local fermé et sec.
- Conservez la batterie à l'écart du chargeur lors du rangement. Ne laissez pas des enfants ou d'autres personnes non autorisées toucher l'équipement. Conservez l'équipement dans un local verrouillable.
- Nettoyez le produit et effectuez un entretien complet avant de remiser le produit pendant des périodes prolongées.
- Utilisez la protection de transport du produit pour éviter les blessures et les dégâts causés au produit lors du transport et du remisage.
- Fixez le produit pour le transporter.

Mise au rebut de la batterie, du chargeur de batterie et du produit

Le symbole ci-dessous indique que le produit ne fait pas partie des déchets ménagers. Déposez-le dans une station de recyclage pour équipements électriques et électroniques. Ceci permet d'éviter les dangers pour l'environnement et les personnes.

Consultez les autorités locales, le service des ordures ménagères ou votre revendeur pour plus d'informations.



Remarque: Le symbole apparaît sur le produit ou l'emballage du produit.

Caractéristiques techniques

Caractéristiques techniques

	120iBV
Moteur	
Type de moteur	BLDC (sans balais) 36 V
Poids	
Poids sans batterie, kg	4,6
Émissions sonores ⁷	
Niveau de puissance acoustique mesuré, dB (A)	97
Niveau de puissance acoustique garanti L_{WA} , dB (A)	100
Niveaux sonores ⁸	
Pression sonore équivalente au niveau des oreilles de l'utilisateur, mesurée selon les normes EN/ISO 11203 et ISO 22868, dB(A) :	84
Niveaux de vibrations ⁹	
Niveau de vibrations au niveau de la poignée avant/arrière mesuré selon la norme ISO 22867 en m/s^2	1,4/1,7
Performances du ventilateur	
Débit d'air en mode normal avec buse standard, m^3/min	6,7
Vitesse maximale de l'air en mode normal avec la buse standard, m/s / mi/h	50/111

Les données sur le son et les vibrations sont déterminées sur la base du régime maximal.

Batteries agréées

Utilisez uniquement des batteries Husqvarna d'origine 40-B pour ce produit.

Batteries homologuées

Batterie	40-B140
Type	Lithium-ion
Capacité de la batterie, Ah	4
Tension nominale, V	36

⁷ Émissions sonores dans l'environnement mesurées comme puissance acoustique (L_{WA}) selon la directive européenne CE 2000/14/CE. Le niveau de puissance sonore reporté pour la machine a été mesuré avec l'accessoire de coupe d'origine qui atteint le niveau le plus élevé. La différence entre le niveau de puissance sonore garanti et le niveau mesuré réside dans le fait que le niveau garanti prend également en compte la dispersion et les variations d'une machine à l'autre du même modèle, conformément à la directive 2000/14/CE.

⁸ Les données reportées pour le niveau de pression sonore équivalent pour la machine montrent une dispersion statistique typique (déviatoin standard) de 3 dB (A).

⁹ Les données reportées pour le niveau de vibrations montrent une dispersion statistique typique (déviatoin standard) de 1,5 m/s^2 .

Batterie	40-B140
Poids, kg	1,25

Chargeurs de batterie homologués

Chargeur de batterie	40-C80
Tension secteur, V	100-240
Fréquence, Hz	50-60
Puissance, W	72
Tension de sortie, V d.c./ Ampères, A	43/1,6

KEES VAN DER SPEK
 TUIN EN PARKMACHINES ★ TER AAR

Déclaration de conformité

Déclaration de conformité EU

Nous, **Husqvarna AB**, SE-561 82 Huskvarna, SUÈDE,
tél : +46-36-146500, déclarons sous notre entière
responsabilité que le produit :

Description	Aspirateur-souffleur portatif
Marque	Husqvarna
Type/Modèle	120iBV
Identification	Numéros de série de l'année 2022 et ultérieurs

est entièrement conforme à la réglementation et aux
directives de l'UE suivantes :

Réglementation	Description
2006/42/EC	« relative aux machines »
2014/30/UE	« relative à la compatibilité électromagnétique »
2011/65/UE	« relative à la limitation de l'utilisation de certaines substances dangereuses au sein d'équipements électriques et électroniques »
2000/14/CE	« relative aux émissions sonores dans l'environnement »

et que les normes et/ou les spécifications
techniques suivantes sont appliquées :
EN 60335-1:2012+A11+A13+A1+A14+A2+A15, EN
50636-2-100:2014, EN IEC 63000:2018, EN ISO
12100:2010, EN IEC 55014-1:2021; EN IEC
55014-2:2021

Pour toute information relative aux émissions sonores,
voir *Caractéristiques techniques à la page 55*.

Huskvarna, 2023-01-16



Claes Losdal, responsable R&D, Husqvarna AB
Responsable de la documentation technique

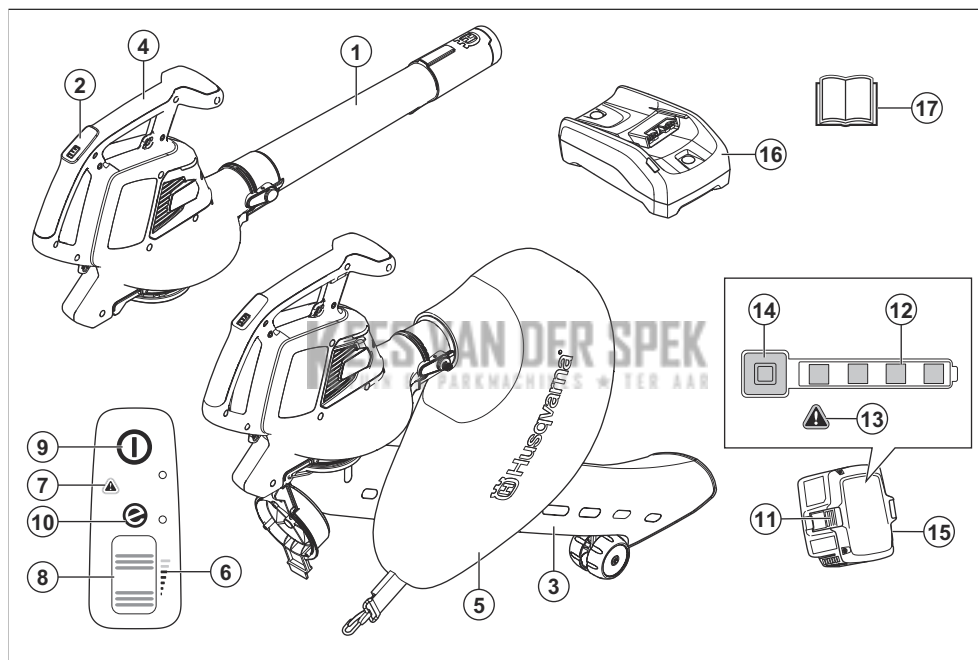


Inhoud

Inleiding.....	58	Probleemoplossing.....	71
Veiligheid.....	60	Vervoer, opslag en verwerking.....	72
Montage.....	65	Technische gegevens.....	73
Werking.....	67	Verklaring van overeenstemming.....	75
Onderhoud.....	70		

Inleiding

Productoverzicht



1. Blaaspijp
2. Toetsenbord
3. Zuigpijp
4. Handgreep
5. Opvangzak
6. Luchtstroomindicator
7. Waarschuwingsindicator (fout-led)
8. Krachtwiel
9. Start/stop-knop
10. SavE-indicator
11. Accuontgrendelknop
12. Accustatus
13. Waarschuwingsindicator (fout-led)
14. Voedings- en waarschuwingslampje
15. Accu, alleen meegeleverd met de Husqvarna 120iBV-blazerset
16. Acculader, alleen meegeleverd met de Husqvarna 120iBV-blazerset
17. Bedieningshandleiding

Productbeschrijving

Husqvarna 120iBV is een tuinblazer/zuigmodel met een elektromotor.

Husqvarna AB werkt voortdurend aan het verder ontwikkelen van haar producten en behoudt zich dan ook het recht voor om zonder aankondiging vooraf

wijzigingen in o.a. de vorm en het uiterlijk door te voeren.

Gebruik

Blaasstand: De bladblazer is ontworpen om vuildeeltjes of gemaaid gras weg te blazen van paden, opritten, binnenplaatsen en dergelijke. Het is ook ontworpen voor het wegblazen van gemaaid gras, stro of bladeren om stapels te creëren of om vuildeeltjes uit hoeken, voegen of spleten tussen tegels of stenen te verwijderen.

Zuigstand: De zuiger is ontworpen voor het opzuigen van droog materiaal. Dit omvat bladeren, gras, kleine takjes en stukjes papier.

Symbolen op het product



WAARSCHUWING: Dit product kan gevaarlijk zijn en ernstig of fataal letsel toebrengen aan de gebruiker of anderen. Wees voorzichtig en gebruik het product op de juiste manier.



Lees de bedieningshandleiding goed door en zorg dat u de instructies hebt begrepen voordat u dit product gaat gebruiken.



Gebruik goedgekeurde oogbescherming.



Nominale spanning, V



Gelijkstroom.



Geluidsemissies naar het omgevingslabel volgens de richtlijnen en voorschriften van de EU en het VK en de wetgeving van Nieuw-Zuid-Wales "Protection of the Environment Operations (Noise Control) Regulation 2017". Het gegarandeerde geluidsvermogensniveau van het product staat vermeld in *Technische gegevens op pagina 73* en op het label.



Koppel de accu voorafgaand aan het onderhoud los.



Het product of de verpakking ervan is geen huishoudelijk afval. Lever het in bij een recyclepunt voor elektrische en elektronische apparatuur.



Het product voldoet aan de geldende EG-richtlijnen.



Dit product voldoet aan de geldende VK-regelgeving.



Stel het product niet bloot aan regen.



Wacht tot de rotorbladen stoppen nadat u het product hebt uitgeschakeld.



Gebruik het product alleen in vacuümmodus als de buis volledig is gemonteerd.



De gebruiker van de bladblazer dient ervoor te zorgen dat geen mensen of dieren dichterbij komen dan 15 meter. Indien meerdere gebruikers werken in hetzelfde werkgebied, is de onderlinge veiligheidsafstand min. 15 meter. De bladblazer kan voorwerpen met geweld wegslingeren, die terug kunnen kaatsen. Dit kan leiden tot ernstig oogletsel, als de aanbevolen veiligheidsuitrusting niet wordt gebruikt.



yyyy wwxxxx

Het serienummer staat op het productplaatje. **yyyy** is het productiejaar, **ww** is de productieweek.

Let op: Overige op het opzetstuk aangegeven symbolen/plaatjes verwijzen naar specifieke eisen aan certificering voor bepaalde markten.

Symbolen op de accu en/of op de accuhouder.



Lever dit product in bij een recyclepunt voor elektrische en elektronische apparatuur. (Alleen geldig voor Europa)



Faalveilige transformator.



Bewaar en gebruik de acculader alleen binnen.



Dubbele isolatie.

Fabrikant

Husqvarna AB

Drottninggatan 2, SE-561 82 Huskvarna

Productaansprakelijkheid

Zoals uiteengezet in de wet voor productaansprakelijkheid zijn wij niet aansprakelijk voor schade die door ons product wordt veroorzaakt, indien:

- het product niet goed is gerepareerd.
- het product is gerepareerd met onderdelen die niet van de fabrikant afkomstig zijn, of onderdelen die niet zijn goedgekeurd door de fabrikant.
- het product een accessoire bevat dat niet afkomstig is van de fabrikant of niet is goedgekeurd door de fabrikant.
- het product niet is gerepareerd door een erkend servicepunt of door een erkende autoriteit.

Veiligheid

Veiligheidsdefinities

Waarschuwingen, voorzorgsmaatregelen en opmerkingen worden gebruikt om te wijzen op belangrijke delen van de gebruikershandleiding.



WAARSCHUWING: Wordt gebruikt om te wijzen op de kans op ernstig of fataal letsel voor de gebruiker of omstanders wanneer de instructies in de handleiding niet worden gevolgd.



OPGELET: Wordt gebruikt indien er een risico bestaat op schade aan het product en/of het hulpstuk, andere materialen of aan de omgeving wanneer de instructies in de handleiding niet worden gevolgd.

Let op: Geven verdere informatie die nodig is in een bepaalde situatie.

Algemene veiligheidsinstructies



WAARSCHUWING: Lees de volgende waarschuwingen voordat u het product gaat gebruiken.

- Lees de instructies zorgvuldig door om de bedieningselementen en de juiste werking van de machine te kennen. Bij onjuist of onzorgvuldig gebruik kan het product een gevaarlijk gereedschap worden, dat ernstig of zelfs fataal letsel kan veroorzaken bij de gebruiker of anderen.
- De oorspronkelijke vormgeving van het product mag in geen enkel geval worden gewijzigd zonder

toestemming van de fabrikant. Gebruik nooit een product dat zo gewijzigd is dat het niet langer overeenkomt met de originele uitvoering en gebruik altijd originele accessoires. Niet goedgekeurde wijzigingen en/of niet-originele onderdelen kunnen tot ernstig persoonlijk letsel of de dood van zowel gebruiker als omstanders leiden. Uw garantie dekt mogelijk geen schade of aansprakelijkheid als gevolg van het gebruik van niet-goedgekeurde accessoires of vervangende onderdelen.

- Dit product produceert tijdens bedrijf een elektromagnetisch veld. Dit veld kan onder bepaalde omstandigheden de werking van actieve of passieve medische implantaten verstoren. Om het risico op ernstig of fataal letsel te beperken, raden we personen met een medisch implantaat aan om contact op te nemen met hun arts en de fabrikant van het medische implantaat voordat ze dit product gaan bedienen.
- Verwijder de accu uit het product voorafgaand aan het opladen.

Algemene veiligheidswaarschuwingen voor elektrisch gereedschap

Controle voor het starten

- Controleer het werkgebied. Verwijder alle losse objecten, zoals stenen, stukjes glas, spijkers, staaldraad, touw, enzovoort die kunnen worden uitgeworpen.
- Verwijder altijd de accu om onbedoeld starten van de machine te voorkomen. Koppel altijd de accu los voordat u onderhoudswerkzaamheden aan de machine uitvoert.
- Controleer de machine voor gebruik en na vallen of stoten op tekenen van slijtage of beschadiging en repareer indien nodig.

- Gebruik alleen originele reserveonderdelen.
- De gebruiker van de machine moet erop toezien dat er tijdens het werk geen mensen of dieren dichterbij dan 15 meter bij de machine komen. Indien meerdere gebruikers in hetzelfde gebied werken, moet de veiligheidsafstand minimaal 15 meter bedragen.
- Voer voor gebruik een algemene inspectie van de machine uit; zie onderhoudsschema.
- Mogelijk zijn landelijke of lokale wettelijke voorschriften van toepassing op het gebruik. Volg de eventuele voorschriften op.

Persoonlijke veiligheid

- **Wees altijd alert, kijk wat u doet en gebruik uw gezonde verstand wanneer u elektrisch gereedschap gebruikt. Gebruik elektrisch gereedschap niet als u moe bent of onder invloed bent van drugs, alcohol of medicijnen.** Een moment van onoplettendheid tijdens het gebruik van elektrische apparaten kan leiden tot ernstig persoonlijk letsel.
- Houd omstanders uit de buurt.
- De machine is niet bedoeld voor gebruik door personen (waaronder kinderen) met fysieke, zintuiglijke of geestelijke beperkingen, of een gebrek aan kennis en ervaring, tenzij ze begeleiding bij of aanwijzingen voor het gebruik van de machine hebben ontvangen van een persoon die verantwoordelijk is voor hun veiligheid. Kinderen moeten onder toezicht worden gehouden om er zeker van te zijn dat ze niet met het apparaat spelen.
- Laat kinderen of mensen die deze gebruiksaanwijzing niet kennen, het product niet gebruiken. Er kunnen plaatselijke regels zijn met betrekking tot de minimumleeftijd voor het bedienen van dit apparaat.
- Houd onbevoegden op afstand. Kinderen, dieren, toeschouwers en medewerkers moeten zich buiten de veiligheidszone van 15 m (50 ft.) bevinden. Schakel de machine onmiddellijk uit indien iemand dichterbij komt.
- Sla de apparatuur op in een afsluitbare ruimte zodat het buiten het bereik is van kinderen en onbevoegde personen.
- Bedien de machine niet op een verhard oppervlak of grind omdat uitgeworpen materiaal daar letsel kan veroorzaken.
- Draag tijdens de bediening van machine altijd degelijke schoenen en een lange broek. Bedien de machine niet op blote voeten of met open sandalen aan. Vermijd loszittende kleding of kleding met hangende koordjes of bandjes.
- Draag geen loszittende kleding of juwelen die door de luchtinlaat opgezogen kunnen worden. Houd lang haar uit de buurt van de luchtinlaatopeningen.
- Gebruik het product nooit als u moe bent, alcohol hebt gedronken of medicijnen hebt ingenomen die uw gezichtsvermogen, beoordelingsvermogen of coördinatievermogen negatief beïnvloeden.

- Draag altijd persoonlijke beschermingsuitrusting. Zie de instructies in het hoofdstuk "Persoonlijke beschermingsuitrusting".
- Verwijder altijd de accu wanneer u de machine aan een andere persoon geeft.
- Denk erom dat het uw verantwoordelijkheid als gebruiker is om mensen en hun eigendommen niet bloot te stellen aan ongelukken of gevaar.

Gebruik en verzorging van elektrische apparaten

- Gebruik nooit een machine die zo gewijzigd is dat ze niet langer overeenkomt met de originele uitvoering. Gebruik de machine nooit in de buurt van explosieve of ontvlambare materialen.
- Gebruik nooit een machine die defect is. Voer de in deze handleiding beschreven veiligheidscontroles en de onderhouds- en service-instructies uit. Bepaalde onderhouds- en servicemaatregelen moeten door opgeleide en gekwalificeerde specialisten worden uitgevoerd. Zie de instructies in het hoofdstuk Onderhoud.
- Gebruik alleen originele reserveonderdelen.
- Zorg dat de ventilatieopeningen altijd vrij zijn van afvalmaterialen.
- Alle deksels, beschermingen en hendels moeten aangebracht zijn voor u start.
- Gebruik de machine alleen bij daglicht of onder goed verlichte omstandigheden.
- Gebruik de machine nooit bij ongunstige weersomstandigheden, bijv. bij mist, regen, in vochtige of natte omgevingen, bij harde wind, hevige koude, gevaar van blikseminslag, enz. Extreem warm weer kan oververhitting van de machine veroorzaken. Werken in slechte weersomstandigheden is vermoeiend en kan tot gevaarlijke situaties leiden, bijvoorbeeld een gladdere ondergrond.
- Als de machine overmatig begint te trillen, stopt u de machine en verwijdert u de accu.
- U dient uitsluitend te lopen, nooit te rennen.

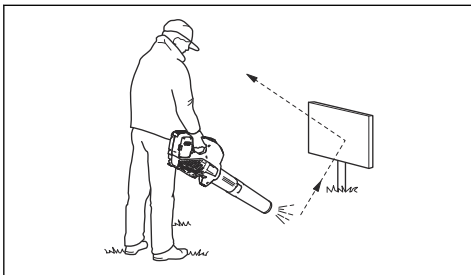
Veiligheidsinstructies voor bediening



WAARSCHUWING: Lees de volgende waarschuwingen voordat u het product gaat gebruiken.

- Wanneer u in een situatie belandt waarin u niet goed weet hoe u verder te werk moet gaan, moet u een expert raadplegen. Wend u tot uw dealer of uw servicewerkplaats. Gebruik de machine nooit voor taken waarvoor u niet voldoende gekwalificeerd bent.
- Zorg ervoor dat u veilig kunt gaan en staan. Controleer of er eventuele hindernissen zijn als u onverwacht snel moet kunnen weggelopen (wortels, stenen, takken, kuilen, greppels enz.). Wees extra voorzichtig wanneer u op hellend terrein werkt.

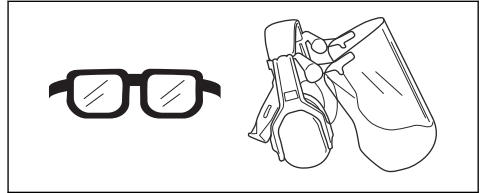
- Zorg steeds voor een goede balans en een stabiele houding. Voorkom overstrekken.
- Let als u gehoorbescherming draagt op waarschuwingssignalen of geschreeuw. Doe uw gehoorbescherming altijd af zodra het product is gestopt.
- Gebruik het product niet in de buurt van geopende ramen.
- Houd rekening met de mensen in uw omgeving door het product niet te gebruiken op ongebruikelijke tijdstippen, bijvoorbeeld 's avonds laat of 's morgens vroeg. Volg de plaatselijke regelgeving en verordeningen.
- Gebruik het product met een zo laag mogelijke luchtstroom. Het is zelden nodig om de volledige luchtstroom te gebruiken. Veel werkzaamheden kunnen met de halve luchtstroom uitgevoerd worden. Een lagere luchtstroom zorgt voor minder lawaai en minder stof. Bovendien vliegt het verzamelde/verplaatste afval dan ook niet alle kanten op.
- Maak onder stoffige omstandigheden het oppervlak enigszins vochtig als u het product gebruikt.
- Gebruik een hark of een bezem om het vastzittende vuil van de grond los te maken.
- Houd de mond van de blaaspijp zo dicht mogelijk bij de grond.
- Wees u bewust van uw omgeving. Richt het product weg van mensen, dieren, speelplaatsen en auto's enz.
- Beperk de blaastijd tot een minimum door stoffige gebieden met behulp van sproeiapparatuur te bevochtigen.
- Let op de windrichting. Werk met de wind mee om uw werk te vergemakkelijken.
- Stop het product en verwijder de accu als het product abnormaal gaat trillen.
- Het is tijdrovend om de bladblazer te gebruiken om grote bergen te verplaatsen en het creëert onnodig lawaai.
- Ruim uw rommel op. Vergewis u ervan dat u geen vuil op het erf van iemand anders heeft geblazen.
- Ren niet met het product.
- De krachtige luchtstroom kan voorwerpen met zo'n snelheid verplaatsen dat ze terug kunnen stuiteren en ernstig letsel aan uw ogen kunnen veroorzaken.
- Richt de luchtstroom nooit op mensen of dieren.
- Zet de motor uit voordat u accessoires of andere onderdelen monteert of demonteert.
- Houd alle lichaamsdelen uit de buurt van hete oppervlakken.
- Leg het product nooit neer terwijl het is geactiveerd, tenzij u er goed zicht op hebt.
- Stop de machine en verwijder de accu. Controleer of alle bewegende onderdelen volledig tot stilstand zijn gekomen:
 - wanneer u de machine achterlaat;
 - voordat u verstoppingen verwijderd of de vulopening ontstopt;
 - voordat u de machine controleert, schoonmaakt of er werkzaamheden aan verricht.
- Schakel onmiddellijk de stroombron uit en laat de machine stoppen als het maaimechanisme vreemde voorwerpen raakt of als de machine ongebruikelijke geluiden of trillingen begint te maken. Koppel de accu los van de machine en voer de volgende stappen uit alvorens de machine opnieuw te starten en te gebruiken:
 - onderzoek op schade;
 - repareer of vervang beschadigde onderdelen;
 - controleer op loszittende onderdelen en zet ze vast.
- Schakel de stroombron uit en koppel de machine los van de accu voordat u ongewenst materiaal schoonmaakt als de machine verstopt raakt.
- Vervoer de machine niet terwijl de voedingsbron is ingeschakeld.
- Kantel de machine niet terwijl de voedingsbron is ingeschakeld.
- De bladblazer mag niet worden gebruikt op ladders of steigers.



- Gebruik het product nooit zonder de mogelijkheid hulp in te roepen in geval van nood.
- Kijk uit voor wegschietende objecten. Stenen, afval, enzovoort kunnen omhoog schieten in uw ogen en blindheid of ernstig letsel veroorzaken.
- Gebruik voor een betere veiligheid een aardlekschakelaar wanneer u het product oplaadt. Er is een aardlekschakelaar aangebracht ter bescherming van gebruikers bij een eventuele elektrische storing.

- Dit product staat bekend om haar lage trilbelasting. Als men teveel wordt blootgesteld aan trillingen, kan dit tot bloedvat- en zenuwbeschadigingen leiden bij personen die een slechte bloedsomloop hebben. Consulteer uw dokter wanneer u symptomen heeft die wijzen op te grote blootstelling aan trillingen. Voorbeelden van zulke symptomen zijn slapen, geen gevoel, 'kriebels', 'speldeprikken', pijn, geen of minder kracht, huidverkleuringen of veranderingen van het huidoppervlak. Deze symptomen komen meestal voor op vingers, handen of polsen.
- Gebruik het product alleen voor het beoogde doel.
- Het is niet mogelijk om elke mogelijke situatie te vermelden. Wees altijd voorzichtig en gebruik uw gezond verstand. Vermijd situaties die uw capaciteiten te boven gaan. Als u na het lezen van deze instructies nog vragen hebt over de bedieningsprocedures dient u een expert te raadplegen voordat u verder gaat.

veiligheidsbril moet voldoen aan de norm ANSI Z87.1 voor de VS of EN 166 voor de EU-landen.



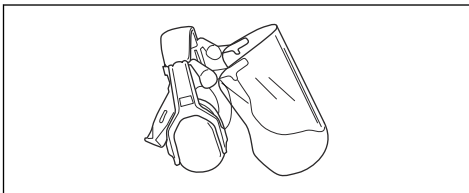
- Gebruik kleding van stevige stof. Gebruik altijd een zware lange broek en lange mouwen. Gebruik geen loszittende kleding die gemakkelijk kan blijven haken aan takjes en struikgewas. Draag geen sieraden, korte broek of sandalen of loop niet op blote voeten. Bind voor de veiligheid lang haar samen tot boven schouderhoogte.
- Houd een EHBO-does binnen handbereik.

Persoonlijke beschermingsuitrusting

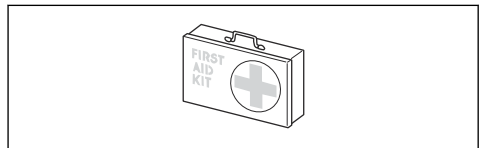


WAARSCHUWING: Lees de volgende waarschuwingen voordat u het product gaat gebruiken.

- Draag tijdens het gebruik van het product altijd goedgekeurde persoonlijke beschermingsuitrusting. Persoonlijke beschermingsuitrusting kunnen niet alle risico's uitsluiten maar kunnen de ernst van eventueel letsel helpen beperken. Vraag uw dealer u te helpen bij het kiezen van de juiste beschermingsmiddelen.
- Langdurige blootstelling aan lawaai kan leiden tot permanente gehoorbeschadiging. Over het algemeen zijn accu-aangedreven producten relatief stil, maar schade kan voortvloeien uit een combinatie van geluidsniveau en lang gebruik. raadt aan dat gebruikers gebruik maken van gehoorbescherming wanneer producten gedurende een groot deel van de dag worden gebruikt. Bij continu en regelmatig gebruik dienen gebruikers hun gehoor regelmatig te laten controleren. Let op: gehoorbescherming beperkt de mogelijkheid om geluiden en waarschuwingssignalen te horen.



- Gebruik goedgekeurde oogbescherming. Als u een vizier gebruikt, moet u ook een goedgekeurde veiligheidsbril gebruiken. Een goedgekeurde



- U moet een stofmasker gebruiken als het risico van stof bestaat.

Veiligheidsvoorzieningen op het product



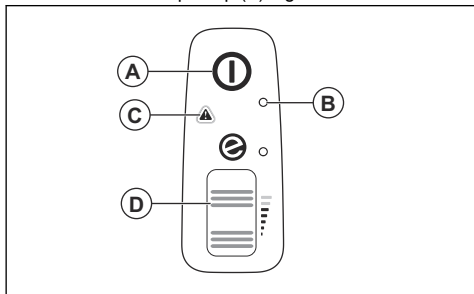
WAARSCHUWING: Lees de volgende waarschuwingen voordat u het product gaat gebruiken.

- In dit hoofdstuk worden de veiligheidsvoorzieningen van het product beschreven, welke functie ze hebben en hoe controles en onderhoud moeten worden uitgevoerd om hun goede werking te waarborgen. Zie de instructies in het hoofdstuk *Productoverzicht op pagina 58* om te zien waar deze onderdelen zich bevinden op uw product.
- De levensduur van het product kan worden verkort en het risico op ongevallen kan toenemen wanneer het onderhoud van het product niet op de juiste manier plaatsvindt en wanneer service en/of reparaties niet vakkundig worden uitgevoerd. Indien u meer informatie nodig hebt, verzoeken wij u contact op te nemen met de dichtstbijzijnde onderhoudsdealer.
- Gebruik een product nooit wanneer de veiligheidsvoorzieningen defect zijn. De veiligheidsuitrusting van het product moet geïnspecteerd en onderhouden worden zoals beschreven in dit hoofdstuk. Als uw product een van deze controles niet doorstaat, moet u contact opnemen met uw servicewerkplaats om uw unit te laten repareren.
- Om service en reparaties aan het product uit te voeren, moet u een speciale opleiding hebben. Dit

geldt met name voor de veiligheidsuitrusting van het product. Als uw product een van de volgende controles niet goed doorstaat, moet u ermee naar uw servicewerkplaats gaan. Als u één van onze producten koopt, garanderen wij de beschikbaarheid van professionele reparaties en onderhoud. Als u uw product hebt gekocht bij één van onze dealers die geen servicewerkplaats heeft, vraag dan waar de dichtstbijzijnde erkende werkplaats is.

Toetsenbord controleren

1. Houd de start/stop-knop (A) ingedrukt.



- a) Het product is ingeschakeld wanneer de led (B) brandt.
 - b) Het product is uitgeschakeld wanneer de led (B) uit is.
2. Raadpleeg *Gebruikers interface op pagina 71* als het waarschuwingsslampje (C) brandt of knippert.
 3. Duw kort tegen het aandrijfwiel (D) en laat het los om te controleren dat deze vrij beweegt.

Veiligheid bij accu's



WAARSCHUWING: Lees de volgende waarschuwingen voordat u het product gaat gebruiken.

- Gebruik uitsluitend accu's uit de 40-B-serie die we voor uw product aanbevelen. Raadpleeg *Goedgekeurde accu's op pagina 74*. De accu's zijn voorzien van softwarematige encryptie.
- Gebruik de oplaadbare accu's uit de 40-B-serie uitsluitend als een voedingsbron voor de bijbehorende producten van Husqvarna. Gebruik de accu niet als voedingsbron voor andere apparaten, om letsel te voorkomen.
- Risico van elektrische schok. Breng de accuklemmen niet in contact met sleutels, schroeven of ander metaal. Dit kan kortsluiting van de accu veroorzaken.
- Gebruik geen accu's die niet oplaadbaar zijn.
- Plaats geen voorwerpen in de luchtspleten van de accu.
- Bescherm de accu tegen direct zonlicht, warmte of open vuur. De accu kan brandwonden en/of chemische brandwonden veroorzaken.

- Bescherm de accu tegen regen en vocht.
- Houd de accu uit de buurt van magnetrons en hoge druk.
- Probeer de accu niet te demonteren of te slopen.
- Gebruik de accu bij temperaturen tussen -10 °C (14 °F) en 40 °C (104 °F).
- Reinig de accu of acculader nooit met water. Raadpleeg *Product, accu en acculader reinigen op pagina 71*.
- Gebruik geen defecte of beschadigde accu.
- Sla accu's op uit de buurt van metalen voorwerpen, bijvoorbeeld spijkers, schroeven en sieraden.
- Houd de accu buiten het bereik van kinderen.

Veiligheidsvoorschriften voor acculader



WAARSCHUWING: Lees de volgende waarschuwingen voordat u het product gaat gebruiken.

- Risico van elektrische schok of kortsluiting wanneer de veiligheidsinstructies niet worden opgevolgd.
- Gebruik geen andere acculader voor de accu die bij uw product is geleverd. Gebruik uitsluitend 40-C80-laders wanneer u vervangende Husqvarna-40-B140-accu's oplaadt. Raadpleeg *Goedgekeurde acculaders op pagina 74* en *Goedgekeurde accu's op pagina 74*.
- Probeer de acculader niet te demonteren.
- Gebruik geen defecte of beschadigde acculader.
- Til de acculader niet op aan de voedingskabel. Trek aan de stekker om de acculader uit de wandcontactdoos te halen. Trek niet aan de voedingskabel.
- Houd alle kabels en verlengsnoeren uit de buurt van water, olie en scherpe kanten. Let op dat de kabel niet bekneld raakt tussen objecten zoals deuren, hekken en dergelijke.
- Gebruik de acculader niet in de buurt van brandbare materialen die corrosie kunnen veroorzaken. Controleer of de acculader niet is afgedekt. Haal de stekker van de acculader uit de wandcontactdoos bij rookontwikkeling of brand.
- De accu mag alleen binnenshuis worden opgeladen op een plek met voldoende ventilatie en zonder direct zonlicht. Laad de accu niet buiten op. Laad de accu niet op in vochtige omstandigheden.
- Gebruik de acculader alleen op plekken met een temperatuur tussen 5 °C (41 °F) en 40 °C (104 °F). Gebruik de lader in een omgeving die goed geventileerd, droog en stofvrij is.
- Plaats geen voorwerpen in de koelspleten van de acculader.
- Verbind de contacten van de acculader niet met metalen objecten, omdat dit kortsluiting in de acculader kan veroorzaken.
- Gebruik goedgekeurde stopcontacten die niet beschadigd zijn. Controleer of de kabel van de

acculader niet beschadigd is. Als er verlengkabels worden gebruikt, zorg er dan voor dat deze niet beschadigd zijn.

Veiligheidsinstructies voor onderhoud



WAARSCHUWING: Lees de volgende waarschuwingen voordat u onderhoud aan het product gaat uitvoeren.

- Laat, als de machine is gestopt voor onderhoud, inspectie of opslag of om een accessoire te verwisselen, de machine afkoelen voordat u inspecties, afstellingen etc. uitvoert. Onderhoud de machine zorgvuldig en houd deze schoon.
- Verwijder de accu voordat u onderhoud of andere controles uitvoert, of het product demonteert.
- De gebruiker mag alleen de onderhouds- en servicewerkzaamheden uitvoeren die in deze

bedieningshandleiding zijn beschreven. Ga naar uw servicedealer voor verdergaande service- of onderhoudswerkzaamheden.

- Zorg dat alle moeren, bouten en schroeven vast zijn aangedraaid, om er zeker van te zijn dat het product veilig functioneert.
- Vervang versleten of beschadigde onderdelen.
- Als u geen onderhoud uitvoert, verkort dit de levenscyclus van het product en vergroot het risico op ongevallen.
- Voor alle service en reparaties is speciale training vereist, vooral voor de veiligheidsvoorzieningen op het product. Als niet alle controles in deze bedieningshandleiding een goed resultaat geven na onderhoud, ga dan naar uw servicedealer. Wij garanderen dat u daar professionele reparaties en service voor uw product krijgt.
- Gebruik alleen originele reserveonderdelen.

Montage

Blaasmodus



WAARSCHUWING:

Er kunnen snijwonden ontstaan wanneer de rotorbladen onverwacht draaien of het apparaat onverwacht start. Verwijder de accu en wacht tot de rotorbladen zijn gestopt, voordat u het product in elkaar zet.

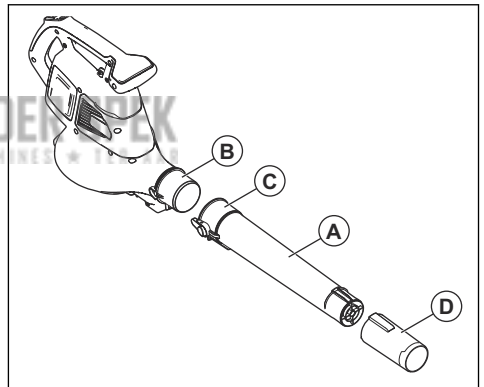


WAARSCHUWING: Monteer de blaaspijp en de afdekking van de luchtinlaat volledig, voordat u het product gebruikt in de blaasmodus.

Blaaspijp monteren

Let op: Wanneer de blaaspijp niet correct is gemonteerd, zal een veiligheidsschakelaar voorkomen dat de blazer start.

1. Duw de blaaspijp (A) op de uitlaatopening (B) van de blazer. De vergrendeling (C) wordt ingeschakeld wanneer u een klik hoort.

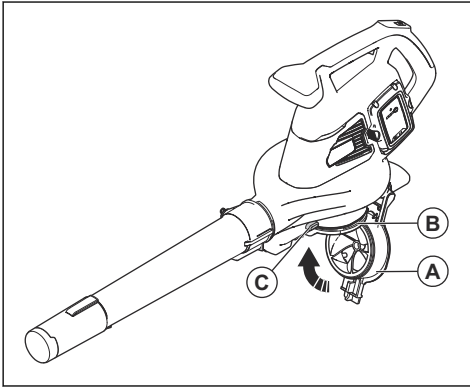


2. Installeer het blaasmondstuk (D) op de blaaspijp. Het blaasmondstuk is in positie vergrendeld als u een klik hoort.

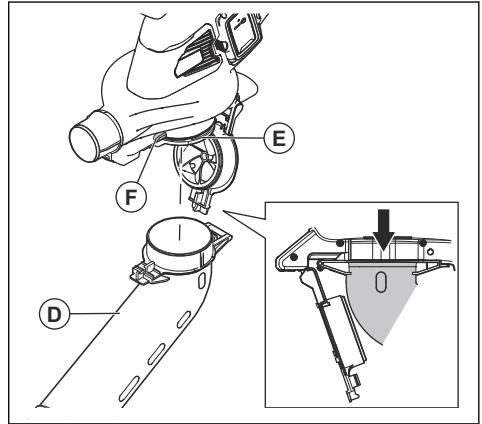
De afdekking van de luchtinlaat monteren

Let op: Wanneer de afdekking van de luchtinlaat niet correct is gemonteerd, zal een veiligheidsschakelaar voorkomen dat de blazer start.

- Sluit de afdekking van de luchtinlaat (A) op de aanzuigopening (B) van de blazer. De vergrendeling (C) wordt ingeschakeld wanneer u een klik hoort.



4. Monteer de zuigpijp (D) op de aanzuigopening (E). De vergrendeling (F) wordt ingeschakeld wanneer u een klik hoort.



Zuigmodus



WAARSCHUWING: Monteer de zuigpijp en de opvangzak volledig voordat u het product in de zuigmodus gebruikt.

De opvangzak monteren

Let op: Wanneer de opvangzak niet correct is gemonteerd, zal een veiligheidsschakelaar de startprocedure van het product onderbreken.

De zuigpijp monteren



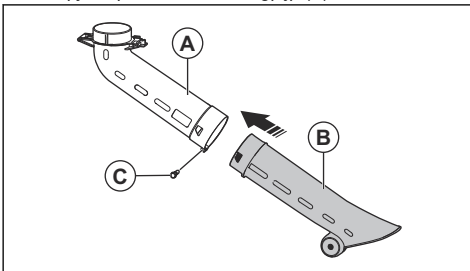
WAARSCHUWING: Monteer de bovenste en onderste zuigpijpen voordat u het product start.



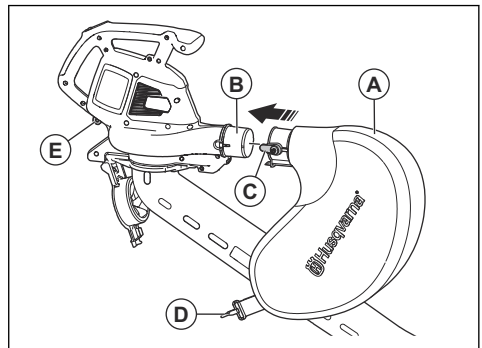
WAARSCHUWING: Stop de machine voordat u de opvangzak aansluit of verwijdert.

Let op: Wanneer de zuigpijp niet correct is gemonteerd, zal een veiligheidsschakelaar voorkomen dat de zuiger start.

1. Lijn de sleuven op de bovenste zuigpijp (A) uit met de lipjes op de onderste zuigpijp (B).



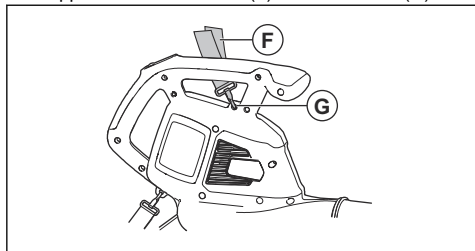
1. Verwijder de blaaspomp als deze op het product is gemonteerd.
2. Duw de opvangzak (A) op de uitgang (B) van de zuiger. De vergrendeling (C) wordt ingeschakeld wanneer u een klik hoort.



2. Duw de onderste zuigpijp op de bovenste zuigpijp tot u een klik hoort.
3. Draai de moer (C) vast.

3. Koppel de band van de opvangzak (D) aan de houder (E).

4. Koppel de schouderband (F) aan de houder (G).



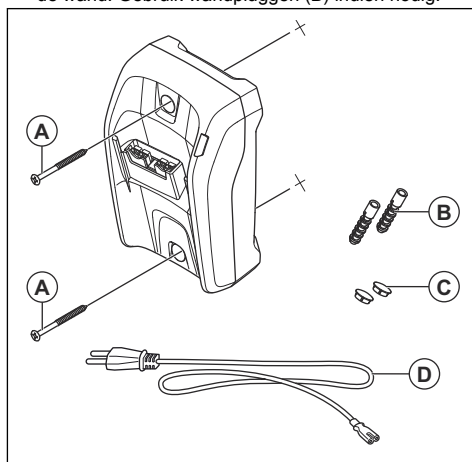
5. Controleer of de opvangzak volledig is gesloten.

De acculader aan de wand bevestigen



OPGELET: Gebruik geen elektrische schroevendraaier om de acculader aan de wand te bevestigen. Een elektrische schroevendraaier kan de acculader beschadigen.

1. Bevestig de acculader met de 2 schroeven (A) aan de wand. Gebruik wandpluggen (B) indien nodig.



2. Plaats de 2 schroefgatpluggen (C).
3. Sluit de voedingskabel (D) aan op de acculader en een stopcontact.

Werking

Inleiding



WAARSCHUWING: Zorg dat u het hoofdstuk over veiligheid hebt gelezen en begrepen voordat u het product gebruikt.

De werking controleren voordat u het product gebruikt

1. Controleer de luchtinlaat op vuil en scheuren. Gebruik een borstel en verwijder gras en bladeren van het product.
2. Controleer of het product correct werkt.
3. Controleer alle moeren en schroeven en zorg ervoor dat ze goed vastzitten.

Accu



WAARSCHUWING: Zorg dat u het hoofdstuk over veiligheid hebt gelezen en begrepen voordat u de accu gebruikt. Zorg er ook voor dat u de bedieningshandleiding

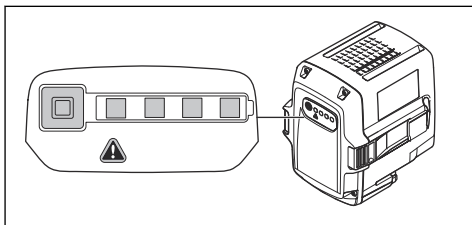
bij de accu en de acculader hebt gelezen en begrepen.

Houd de accu en de acculader in de correcte omgevingstemperaturen.

	Omgevingstemperatuur
Accu gebruiken	5 °C-40 °C / 41 °F-104 °F
Accu laden	5 °C-40 °C / 41 °F-104 °F

Accustatus

Het display toont de laadstatus en geeft aan of er problemen zijn met de accu.



Led-indicator	Laadstatus accu
4 leds branden	De accu is 76% - 100% opgeladen.

Led-indicator	Laadstatus accu
3 leds branden	De accu is 51% - 75% opgeladen.
2 leds branden	De accu is 26% - 50% opgeladen.
1 led brandt	De accu is 6% - 25% opgeladen.
1 led knippert	De accu is 0% - 5% opgeladen.

De accu opladen

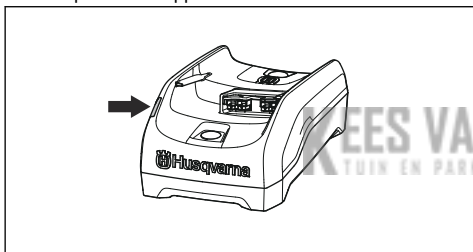
Laad de accu op als u deze voor de eerste keer gebruikt. Een nieuwe accu is slechts 30% opgeladen.



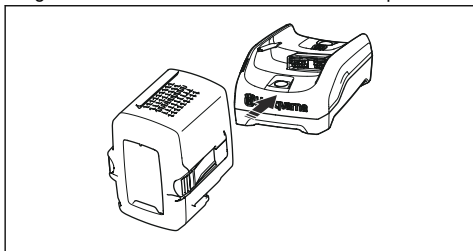
OPGELET: Sluit de acculader aan op een stopcontact waarvan de spanning en frequentie overeenkomen met de specificaties op het productplaatje.

De accu wordt niet opgeladen als de temperatuur van de accu hoger is dan 50 °C/122 °F.

1. Sluit de voedingskabel aan op de acculader.
2. Sluit de acculader aan op een geaard stopcontact. De oplaadled knippert 1 keer.



3. Sluit de accu aan op de acculader. De oplaadled gaat branden. Laad de accu max. 24 uur op.



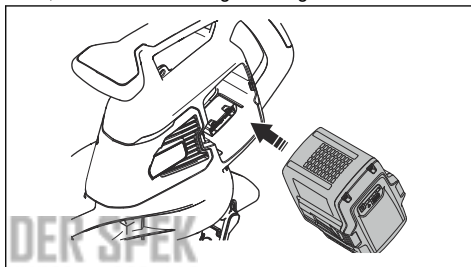
4. Druk op de accu-indicatielampknop, wanneer alle led-indicatielampjes branden, is de accu volledig geladen.
5. Haal de stekker uit het stopcontact om de acculader van het stopcontact los te koppelen. Trek niet aan de voedingskabel.
6. Haal de accu uit de acculader.

De accu aansluiten op het product

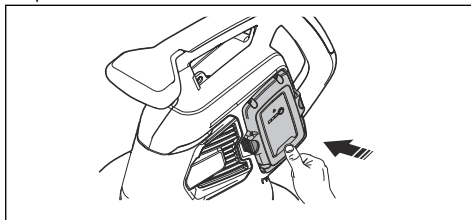


WAARSCHUWING: Gebruik uitsluitend originele Husqvarna-accu's in het product.

1. Zorg ervoor dat de accu volledig is opgeladen.
2. Schuif de accu in de accuhouder van het product. De accu moet gemakkelijk schuiven. Als dat niet zo is, dan is de accu niet goed aangebracht.

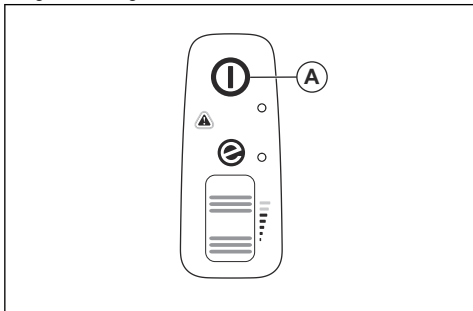


3. Druk tegen het onderste deel van de accu en druk het zover mogelijk in het accucompartiment. De accu vergrendelt in positie, waarbij u een klik zult horen.
4. Zorg ervoor dat de vergrendelingen goed op hun plaats vastklikken.

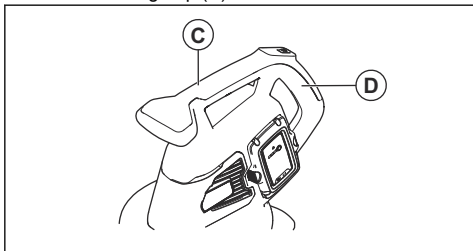


Product starten

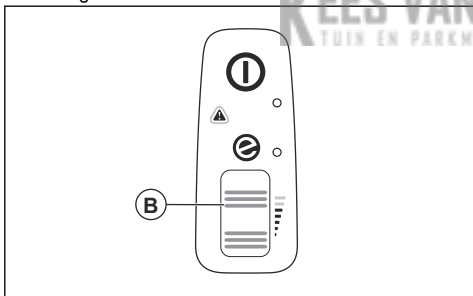
1. Houd de start-stopknop (A) ingedrukt totdat de groene led gaat branden.



2. Houd de extra handgreep (C) vast met één hand en de hoofdhandgreep (D) met de andere hand.

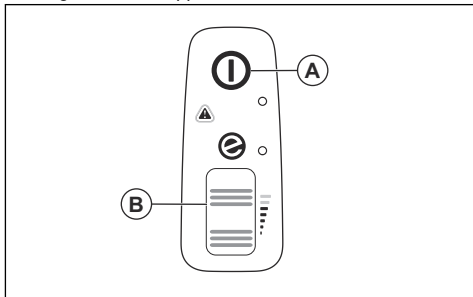


3. Draai het vermogenswiel (B) omhoog om de blaas- of zuigmodus te starten.



Product stoppen

1. Draai het vermogenswiel (B) omlaag om de blaas- of zuigmodus te stoppen.



2. Houd de start-stopknop (A) ingedrukt totdat de groene led uitgaat.

ECO-modus

De ECO-modus verlengt de levensduur van de accu.

- Draai het vermogenswiel omlaag om de ECO-modus te starten. Het ledlampje gaat aan nadat de ECO-modus is gestart.



- Draai het vermogenswiel omhoog om te starten in de normale modus. Het ledlampje gaat uit nadat de normale modus is gestart.

De opvangzak legen



WAARSCHUWING:

Scherpe voorwerpen kunnen letsel veroorzaken. Plaats uw handen niet in de opvangzak wanneer u die leegt.

1. Stop het product.
2. Verwijder de opvangzak.
3. Draai de opvangzak binnenstebuiten en verwijder de verzamelde voorwerpen.
4. Spoel de opvangzak schoon met een tuinslang.
5. Laat de opvangzak drogen.
6. Monteer de opvangzak.

Automatische uitschakelfunctie

Het product heeft een automatische uitschakelfunctie die het product stopt als het niet wordt gebruikt. Het product wordt na 1 minuut uitgeschakeld.

Onderhoud

Inleiding



WAARSCHUWING: Voordat u onderhoudswerkzaamheden gaat uitvoeren, dient u het hoofdstuk over veiligheid te lezen en hebben begrepen.

Onderhoudsschema



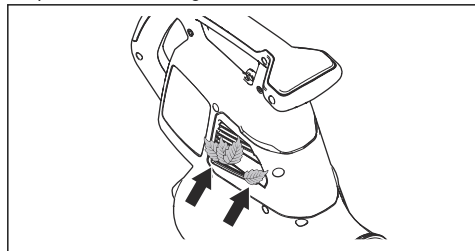
WAARSCHUWING: Verwijder de accu voordat u onderhoud uitvoert.

Hieronder volgt een lijst van het onderhoud dat u aan het product moet uitvoeren.

Onderhoud	Elke dag	Wekelijks	Maandelijks
Reinig het externe oppervlak met een zachte en droge doek. Gebruik geen water.	X		
Houd de handgrepen droog, schoon en vrij van olie en vet.	X		
Controleer of de start/stop-knop correct werkt en niet beschadigd is.	X		
Zorg ervoor dat het vermogenswiel correct werkt in termen van veiligheid.	X		
Controleer of de moeren en schroeven goed zijn vastgedraaid.	X		
Controleer de accu op beschadigingen.	X		
	X		
Controleer of de ontgrendelknoppen op de accu naar behoren werken en de accu in het product wordt vergrendeld.	X		
Controleer de acculader op beschadiging en zorg dat deze naar behoren werkt.	X		
Controleer alle koppelingen, aansluitingen en kabels op beschadigingen en zorg ervoor dat er geen vuil op zit.		X	
Controleer de aansluitingen tussen de accu en het product en controleer ook de aansluiting tussen de accu en de acculader.			X
Reinig de luchtstroomsleuven met een zachte borstel (gebruik geen schroevendraaier).	X		
Verwijder en reinig de blaaspijp of de zuigpijp.	X		
Leeg en reinig de opvangzak. Raadpleeg <i>De opvangzak legen op pagina 69</i> .	X		
Verwijder gras, bladeren, vuil en ander ongewenst materiaal uit de inlaatopening en afdekking ervan.	X		
Onderzoek de waaiventilator op vervuiling en reinig deze zo nodig met een stomp, lang voorwerp.	X		

Luchtinlaat controleren

1. Zorg ervoor dat de luchtinlaat aan de zijkant van het product niet wordt geblokkeerd.



2. Stop het product en verwijder bladeren of ongewenst materiaal indien nodig.



OPGELET: Een verstopte luchtinlaat vermindert de blaascapaciteit van het product en verhoogt de

werktemperatuur van de motor. Dit kan leiden tot motorstoringen omdat de motor te heet wordt.

Accu en acculader controleren

1. Controleer de accu op beschadigingen, bijvoorbeeld scheuren.
2. Controleer de acculader op beschadigingen, bijvoorbeeld scheuren.
3. Controleer of de aansluitkabel van de acculader niet beschadigd of gescheurd is.

Product, accu en acculader reinigen

1. Reinig het product met een droge doek na gebruik.
2. Reinig de accu en acculader met een droge doek. Houd de accugeleiderails schoon.
3. Zorg ervoor dat de aansluitingen van de accu en de acculader schoon zijn voor dat de accu in de acculader of het product wordt geplaatst.

Probleemoplossing

Gebruikers interface

Gebruikers interface	Mogelijke fouten	Mogelijke oplossing
Rode fout-led knippert.	Temperatuurafwijking.	Laat het product afkoelen.
	Pijp of ventilatordeksel is verwijderd.	Monteer de pijp of het ventilatordeksel.
	Fout in accu.	Vervang de accu of laad de accu op.
	Onderhoud is nodig.	Neem contact op met uw servicedealer.
Het product start niet.	Vuil in de accuaansluitingen.	Reinig met perslucht of een zachte borstel.

Accu

Led-display	Mogelijke fouten	Mogelijke oplossing
Groene led knippert.	Lage accuspanning.	Laad de accu op.

Led-display	Mogelijke fouten	Mogelijke oplossing
Fout-led knippert.	Temperatuurafwijking.	Gebruik de accu bij temperaturen tussen -10 °C (14 °F) en 40 °C (104 °F).
	Spanning te hoog.	Controleer of de netspanning overeenkomt met de spanning van het product. Zie het productplaatje op het product. Haal de accu uit de acculader.
Fout-led gaat branden	Celverschil te groot (1 V).	Neem contact op met uw servicedealer.

Acculader

Staat	Mogelijke fouten	Mogelijke procedure
De oplaadled is rood.	Permanente acculaderfout.	Neem contact op met uw dealer.
De oplaadled knippert groen.	Temperatuurafwijking, de accu is te koud of te heet om te gebruiken of op te laden.	Laat de accu afkoelen of warm worden. Als de accu de juiste temperatuur heeft, kan deze weer worden gebruikt of opgeladen. Gebruik de acculader bij omgevingstemperaturen tussen 5 °C (41 °F) en 40 °C (104 °F).
De oplaadled knippert rood.	Defecte accu	Neem contact op met uw dealer.

Vervoer, opslag en verwerking

Transport en opslag

- De meegeleverde Li-ion-accu's voldoen aan de wettelijke vereisten voor gevaarlijke goederen.
- Neem de bijzondere voorschriften op de verpakking en labels voor commercieel transport in acht. Dit geldt ook voor derden en expediteurs.
- Neem contact op met een persoon die gespecialiseerd is op het gebied van gevaarlijke stoffen voordat u het product verzendt. Neem alle van toepassing zijnde nationale voorschriften in acht.
- Breng tape aan op blootliggende aansluitingen wanneer u de accu in een pakket plaatst. Plaats de accu strak in het pakket om beweging te voorkomen.
- Laat de machine altijd afkoelen voordat u deze opbergt.
- Verwijder de accu bij opslag of vervoer.
- Plaats de accu en de acculader in een droge, vocht- en vorstvrije ruimte.
- Bewaar de accu niet op plaatsen waar statische elektriciteit aanwezig is. Bewaar de accu niet in een metalen doos.
- Bewaar de accu op een plaats met een temperatuur tussen 5 °C en 25 °C en niet in direct zonlicht.
- Bewaar de acculader op een plaats met een temperatuur tussen 5 °C en 45 °C en niet in direct zonlicht.
- Gebruik de acculader alleen als de omgevingstemperatuur tussen 5 °C en 40 °C ligt.
- Laad de accu op tussen de 30% en 50% voorafgaand aan langdurige opslag.
- Berg de acculader op in een ruimte die afgesloten en droog is.
- Bewaar de accu niet in de buurt van de acculader. Laat kinderen en andere onbevoegde personen niet aan de apparatuur komen. Bewaar de apparatuur in een ruimte die u kunt afsluiten.
- Reinig het product en voer een volledige onderhoudsbeurt uit voordat u het product voor langere tijd opslaat.

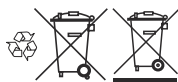
- Gebruik de transportbescherming op het product om letsel bij personen of schade aan het product tijdens vervoer en opslag te voorkomen.
- Bevestig het product stevig tijdens vervoer.

Let op: Het symbool staat op het product of op de verpakking van het product.

Accu, acculader en product afvoeren

Het onderstaande symbool betekent dat het product geen huishoudelijk afval is. Lever het in bij een recyclepunt voor elektrische en elektronische apparatuur. Dit voorkomt vervuiling van het milieu en letsel bij personen.

Neem contact op met de lokale autoriteiten, het afvalverwerkingsbedrijf of uw dealer voor meer informatie.



Technische gegevens

Technische gegevens

	120iBV
Motor	
Motortype	BLDC (borstelloos) 36 V
Gewicht	
Gewicht zonder accu, kg	4,6
Geluidsemisies ¹⁰	
Geluidsvermogensniveau, gemeten dB(A)	97
Geluidsvermogensniveau, gegarandeerd L _{WA} dB (A)	100
Geluidsniveaus ¹¹	
Equivalent geluidsdrumniveau op oorhoogte van de gebruiker, gemeten in overeenstemming met EN/ISO 11203 en ISO 22868, dB(A):	84
Trillingsniveau ¹²	
Trillingsniveaus in de voorste/achterste handgreep, gemeten volgens ISO 22867, m/s ²	1,4/1,7
Ventilatorprestaties	

¹⁰ Geluidsemisie naar de omgeving gemeten als geluidsvermogen (L_{WA}) volgens EG-richtlijn 2000/14/EG. Het gerapporteerde geluidsvermogensniveau voor de machine is gemeten met de originele snijuitrusting die het hoogste niveau geeft. Het verschil tussen gegarandeerd en gemeten geluidsvermogen is dat het gegarandeerde geluidsvermogen ook spreiding in het meetresultaat omvat en de verschillen tussen de verschillende machines van hetzelfde model conform Richtlijn 2000/14/EG.

¹¹ De gerapporteerde gegevens voor een vergelijkbaar geluidsdrumniveau voor de machine vertonen een typische statistische spreiding (standaardafwijking) van 3 dB(A).

¹² De gerapporteerde gegevens voor een trillingsniveau vertonen een typische statistische spreiding (standaardafwijking) van 1,5 m/s².

	120iBV
Luchtstroom in normale modus met standaard mondstuk, m ³ /min	6,7
Maximale luchtsnelheid in normale modus met standaard mondstuk, m/s / mph	50/111

Geluids- en trillingsgegevens zijn bepaald op basis van het nominale maximale toerental.

Goedgekeurde accu's

Gebruik uitsluitend Husqvarna originele 40-B-accu's voor dit product.

Goedgekeurde accu's

Accu	40-B140
Type	Lithium-ion
Accucapaciteit, Ah	4
Nominale spanning, V	36
Gewicht, kg	1,25

Goedgekeurde acculaders

Acculader	40-C80
Netspanning, V	100-240
Frequentie, Hz	50-60
Vermogen, W	72
Uitgangsspanning, V d.c./ Ampère, A	43/1,6

Verklaring van overeenstemming

EU-verklaring van overeenstemming

Wij, **Husqvarna AB**, SE-561 82 Huskvarna, ZWEDEN, tel.: +46-36-146500, verklaren onder onze alleenverantwoordelijkheid dat het product:

Beschrijving	Handgedragen tuinbladblazer/-zuiger
Merk	Husqvarna
Type / model	120iBV
Identificatie	Serienummers vanaf 2022 en verder

voldoen volledig aan de volgende EU-richtlijnen en -regelgeving:

Verordening	Beschrijving
2006/42/EG	"betreffende machines"
2014/30/EU	"betreffende elektromagnetische compatibiliteit"
2011/65/EU	"inzake beperking van het gebruik van bepaalde gevaarlijke stoffen in elektrische en elektronische apparatuur"
2000/14/EG	"betreffende de geluidsemissies in het milieu"

en dat de volgende normen en/of technische specificaties zijn toegepast:
EN 60335-1:2012+A11+A13+A14+A2+A15, EN 50636-2-100:2014, EN IEC 63000:2018, EN ISO 12100:2010, EN IEC 55014-1:2021; EN IEC 55014-2:2021

Voor informatie over geluidsemissies, zie *Technische gegevens op pagina 73*.

Huskvarna, 2023-01-16



Claes Losdal, R&D Manager, Husqvarna AB
Verantwoordelijk voor technische documentatie

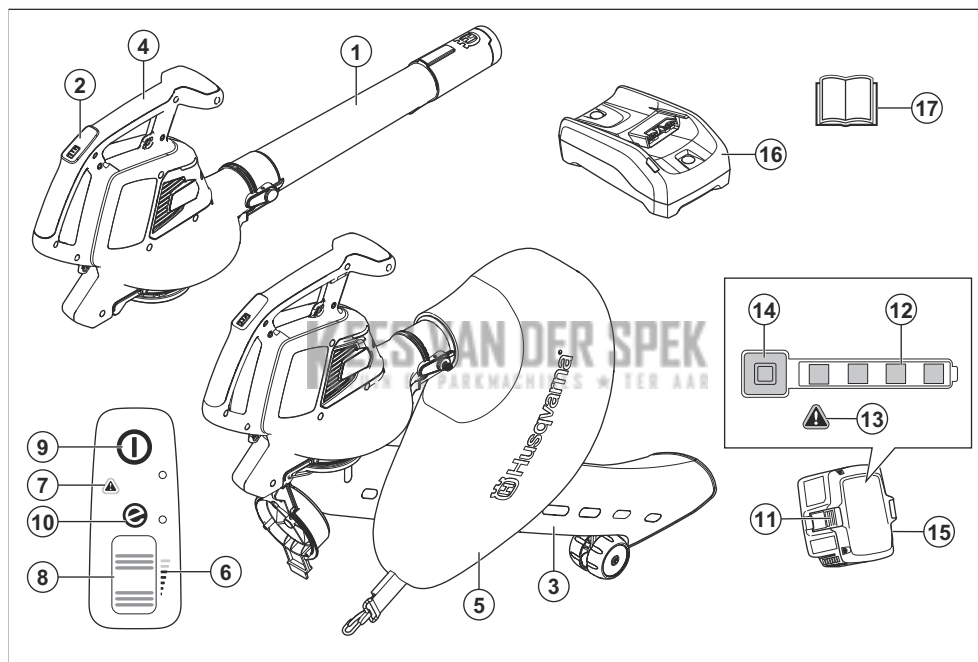


VSEBINA

Uvod.....	76	Odpravljanje težav.....	88
Varnost.....	78	Transport skladiščenje in odstranitev.....	89
Montaža.....	82	Tehnični podatki.....	90
Delovanje.....	84	Izjava o skladnosti.....	92
Vzdrževanje.....	87		

Uvod

Pregled izdelka



1. Cev pihalnika
2. Tipkovnica
3. Sesalna cev
4. Ročaj
5. Zbiralna vreča
6. Indikator pretoka zraka
7. Opozorilna lučka (lučka LED za napako)
8. Vrtljivi gumb za nastavitev načina delovanja
9. Gumb za vklop/izklop
10. Indikator SavE
11. Gumb za sprostitve baterije
12. Stanje baterije
13. Opozorilna lučka (lučka LED za napako)

14. Indikator napajanja in opozoril
15. Baterija, priložena samo pri kompletu pihalnika Husqvarna 120iBV
16. Baterski polnilnik, priložen samo pri kompletu pihalnika Husqvarna 120iBV
17. Navodila za uporabo

Opis izdelka

Husqvarna 120iBV je model vrtnega pihalnika/sesalnika z elektromotorjem.

Nenehno razvijamo in izpopolnjujemo svoje izdelke, zato si pridržujemo pravico do sprememb njihove oblike in videza brez predhodnega opozorila.

Namen uporabe

Način pihanja: Pihalnik je zasnovan za pihanje umazanih delcev ali pokošene trave s poti, dovozov, dvorišč in podobno. Namenjen je tudi pihanju pokošene trave, slame ali listja za ustvarjanje kupov ali odstranjevanje umazanih delcev iz vogalov, spojev ali vrzeli med ploščicami ali opekami.

Način sesanja: Sesalnik je zasnovan za sesanje suhega materiala. Sem spadajo listje, trava, manjše vejice in koščki papirja.

Simboli na izdelku



OPOZORILO: Ta izdelek je lahko nevaren in lahko povzroči hude poškodbe oziroma smrt uporabnika ali drugih. Bodite previdni in uporabljajte izdelek pravilno.



Pred uporabo tega izdelka morate pazno prebrati navodila za uporabo ter jih razumeti.



Uporabljajte odobreno zaščito oči.

V

Nazivna napetost, V



Enosmerni tok.



Emisija hrupa v okolje je skladna z direktivami in uredbami EU, ZK ter zakonodajo Novega južnega Walesa, in sicer z direktivo "Zaščita okolja pri delu (nadzor hrupa) iz 2017". Zajamčena raven zvočne moči izdelka je navedena na in v *Tehnični podatki na strani 90* in na oznaki.



Pred vzdrževanjem odklopite baterijo.



Izdelek ali embalaža izdelka ne spada med gospodinjne odpadke. Treba ga je reciklirati v zbirnem centru za reciklažo električne in elektronske opreme.



Izdelek je skladen z veljavnimi direktivami ES.

UK
CA

Izdelek je v skladu z veljavnimi direktivami ZK.



Izdelek ne sme biti izpostavljen dežju.



Po izklopu naprave počakajte, da se lopatice rotorja ustavijo.



Napravo uporabljajte v načinu sesanja samo, ko je cev v celoti sestavljena.



Uporabnik pihalnika mora poskrbeti, da v premeru 15 metrov ni ljudi ali živali. Če več uporabnikov dela na istem mestu, morajo upoštevati medsebojno varnostno razdaljo vsaj 15 metrov. Pihalnik lahko izvrže predmete, ki se lahko odbijejo nazaj. Če ne uporabljate priporočene varnostne opreme, lahko pride do resnih poškodb oči.



yyyy wwxxxx

Na tipski ploščici je navedena serijska številka. **yyyy** je proizvodno leto, **ww** je proizvodni teden.

Opomba: Ostali znaki in nalepke na priključku se nanašajo na specifične certifikacijske zahteve, ki veljajo na nekaterih tržiščih.

Simboli na bateriji in/ali polnilniku baterije



Izdelek je treba reciklirati v zbirnem centru za reciklažo električne in elektronske opreme. (velja samo za Evropo)



Pretvornik za varno odpoved.



Polnilnik baterije hranite in uporabljajte samo v zaprtih prostorih.



Dvojna izolacija.

Proizvajalec

Husqvarna AB

Drottningatan 2, SE-561 82 Huskvarna

Odgovornost proizvajalca

Kot je navedeno v zakonodaji, ki ureja odgovornost proizvajalca, ne prevzemamo nikakršne odgovornosti za poškodbe, ki bi jih naši izdelki povzročili v naslednjih primerih:

- Izdelek ni pravilno popravljen.
- Izdelek je popravljen z deli, ki jih ni izdelal ali odobril proizvajalec.
- Na izdelku je nameščena dodatna oprema, ki je ni izdelal ali odobril proizvajalec.
- Izdelek ni bil popravljen v pooblaščenem servisnem centru ali pri pooblaščenem organu.

Varnost

Varnostne definicije

Opozorila, previdnostni ukrepi in opombe se uporabljajo za izpostavljanje zlasti pomembnih delov navodil za uporabo.



OPOZORILO: Se uporabi, če obstaja nevarnost poškodbe ali življenjske ogroženosti operaterja ali opazovalcev ob neupoštevanju navodil v tem priročniku.



POZOR: Se aktivira, če obstaja nevarnost poškodbe izdelka in/ali nastavka, drugih materialov ali okolice ob neupoštevanju navodil v tem priročniku.

Opomba: Se uporabi za podajanje podrobnejših informacij, potrebnih v dani situaciji.

Splošna varnostna navodila



OPOZORILO: Pred uporabo izdelka preberite navodila v povezavi z opozorili v nadaljevanju.

- Pozorno preberite navodila, da se seznanite z upravljanjem in pravilnim delovanjem naprave. Zaradi napačne ali malomarne uporabe lahko postane stroj nevaren in lahko povzroči resne ali celo smrtne poškodbe uporabnika ali drugih oseb.
- Nikoli ne smete spreminjati prvotne izvedbe izdelka brez predhodnega dovoljenja proizvajalca. Nikoli ne uporabljajte izdelka, katerega prvotne specifikacije so bile na kakršen koli način spremenjene, in vedno uporabljajte originalno dodatno opremo. Spremembe brez pooblastila in/ali neoriginalni deli lahko povzročijo resne poškodbe ali smrt uporabnika in drugih. Garancija morda ne krije škode ali odgovornosti, ki je nastala zaradi uporabe neodobrenih dodatkov ali nadomestnih delov.

- Izdelek med delovanjem ustvarja elektromagnetno polje. To polje lahko v nekaterih pogojih interferira z aktivnimi ali pasivnimi medicinskimi vsadki. Da bi zmanjšali nevarnost ki bi lahko povzročila telesne poškodbe ali smrt, priporočamo, da se osebe z medicinskimi vsadki pred uporabo izdelka posvetujejo s svojim zdravnikom in proizvajalcem vsadka.
- Pred polnjenjem baterijo odstranite iz izdelka.

Splošna varnostna opozorila za električno orodje

Pregled pred vžigom

- Preglejte delovno območje. Odstranite vse trde dele, na primer kamenje, razbito steklo, žeblje, jeklene žice, vrvi ipd., ki bi lahko bili nevarni.
- Obvezno odstranite baterijo in tako preprečite, da bi se stroj nepričakovano zagnal. Pred vzdrževanjem stroja obvezno odklopite baterijo.
- Pred začetkom uporabe in po kakršnem koli trku preglejte napravo in poiščite morebitne poškodbe ter jih po potrebi popravite.
- Uporabljajte samo originalne nadomestne dele.
- Uporabnik stroja mora poskrbeti, da v premeru 15 metrov od delovnega mesta ni ljudi ali živali. Če sočasno v območju dela več uporabnikov, mora biti varnostna razdalja med njimi vsaj 15 metrov.
- Pred uporabo opravite celovit pregled stroja, glejte urnik vzdrževanja.
- Uporabo lahko urejajo državni ali lokalni predpisi. Upošteвайте veljavne predpise.

Osebná zaščita

- **Med uporabo električnega orodja bodite pozorni, pazite na svoja dejanja in ravnajte razumno. Ne uporabljajte električnega orodja, ko ste utrujeni ali pod vplivom drog, alkohola ali zdravil.** Trenutek nepozornosti med uporabo obrezovalnika žive meje lahko povzroči težko osebno poškodbo.
- Osebe naj se zadržujejo na varni razdalji.

- Ta stroj ni namenjen uporabi s strani osebe (vključno z otroki) z omejenimi telesnimi, zaznavalnimi ali duševnimi sposobnostmi ali osebe z nezadostnimi izkušnjami in znanjem, razen če jih pri uporabi nadzoruje ali jim o uporabi svetuje oseba, ki je odgovorna za njihovo varnost. Otroci morajo biti pod nadzorom, da se s strojem ne igrajo.

- Izdelka ne smejo uporabljati otroci ali osebe, ki niso seznanjene z navodili. Lokalni predpisi lahko omejujejo starost uporabnika.
- Nepooblaščen osebe naj bodo na varni razdalji. Otroci, živali, opazovalci in pomočniki morajo ostati zunaj varnostnega območja, ki meri 15 metrov (50 čevljev). Če se kdo približa, stroj takoj ustavite.
- Napravo shranite v prostoru, ki ga lahko zaklenete, da ni v dosegu otrok in nepooblaščenih oseb.
- Stroja ne uporabljajte na tlakovani ali gramozni površini, kjer bi lahko izvrženi material poškodoval ljudi.
- Med uporabo izdelka obvezno nosite trpežno zaščitno obutev in dolge hlače. Stroja ne uporabljajte bosi ali v sandalih. Ne nosite ohlapnih oblačil ali oblačil z visečimi trakovi ali kravat.
- Ne nosite ohlapnih oblek ali nakita, ki jih lahko potegne v dovod zraka. Če imate dolge lase, jih ne približujte dovodu zraka.
- Stroja ne uporabljajte, če ste utrujeni, če ste pod vplivom alkohola ali če jemljete zdravila, ki lahko vplivajo na vid, presojo ali koordinacijo.
- Nosite osebno zaščitno opremo. Glejte navodila v poglavju "Osebna zaščitna oprema".
- Pred predajo stroja drugi osebi, obvezno odstranite baterijo.
- Ne pozabite, da ste kot uporabnik odgovorni za morebitno izpostavitve ljudi ali njihove lastnine nesrečam ali nevarnosti.

Uporaba in nega električnega orodja

- Nikoli ne uporabljajte stroja, katerega prvotne specifikacije so bile na kakršen koli način spremenjene. Stroja nikoli ne uporabljajte v bližini eksplozivnih in vnetljivih materialov.
- Ne uporabljajte pokvarjenega stroja. Sledite navodilom za varnostni pregled, vzdrževanje in servis v skladu z napotki v teh navodilih. Nekatere vrste vzdrževalnih del in popravil lahko opravi samo za to usposobljeno strokovno osebje. Glejte navodila v poglavju Vzdrževanje.
- Uporabljajte samo originalne nadomestne dele.
- Prezračevalne odprtine morajo biti obvezno proste.
- Pred začetkom morajo biti nameščeni vsi pokrovi, varovala in ročice.
- Stroj uporabljajte le pri dnevni svetlobi ali pri dobri osvetlitvi.
- Stroja ne uporabljajte v slabem vremenu, na primer v megli ali dežju, na vlažnih ali mokrih mestih, v močnem vetru, hudem mrazu, ob nevarnosti udara strele itd. V izredno vročem vremenu se lahko stroj

pregreje. Uporaba v slabem vremenu je naporna in nevarna, na primer zaradi spolzkih površin.

- Če začne stroj nenadzorovano vibrirati, ga izklopite in odstranite baterijo.
- Hodite, nikoli ne tecite.

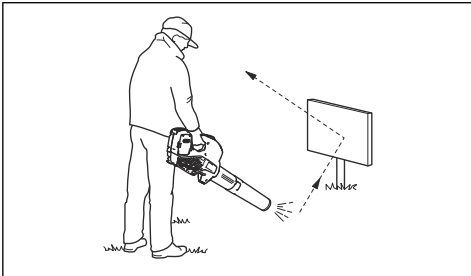
Varnostna navodila za uporabo



OPOZORILO: Pred uporabo izdelka preberite navodila v povezavi z opozorili v nadaljevanju.

- V primeru dvoma, ali je nadaljnja uporaba še primerna, se posvetujte s strokovnjakom. Obrnite se na svojega zastopnika ali servisno delavnico. Izogibajte se situacijam, ki se vam zdijo prezahtevne.
- Prepričajte se, da se lahko varno gibljete in stojite. Če se morate nepričakovano premakniti, preverite okolico za morebitne ovire (korenine, kamenje, veje, jarke, itd.). Pri delu na nagnjenih tleh bodite še posebej previdni.
- Ohranjajte stabilen položaj in čvrst korak. Rok ne stegujte predaleč.
- Bodite vedno pozorni na svarilne znake in klice, ko nosite zaščito za sluh. Zaščito za sluh odstranite takoj, ko se izdelek izklopi.
- Izdelka ne uporabljajte v bližini odprtih oken.
- Bodite uvidevni do ljudi v svoji okolici in ne uporabljajte izdelka ob neprimernem času, na primer pozno zvečer ali zgodaj zjutraj. Upoštevajte lokalne predpise in odloke.
- Izdelek uporabljajte pri najmanjšem možnem pretoku zraka. Zelo redko boste morali uporabiti polni pretok zraka in veliko del lahko opravite s polovičnim pretokom zraka. Manjši pretok zraka pomeni tudi manj hrupa in prahu, hkrati pa omogoča tudi enostavnejši nadzor nad zbranimi/premaknjenimi odpadki.
- Pri prašnih razmerah ob uporabi izdelka nekoliko navlažite površino.
- Če želite odstraniti smeti, ki se držijo tal, uporabite grablje ali metlo.
- Držite odprtino pihalnika čim bliže tlom.
- Opazujte okolico. Usmerite pihalnik stran od ljudi, živali, igrišč, avtomobilov itd.
- Zmanjšajte čas pihanja tako, da rahlo navlažite prašna območja ali uporabljate opremo za pršenje.
- Pazite na smer vetra. Izdelek obrnite v smer vetra, saj bo delo tako lažje.
- Če se začne izdelek neobičajno tresti, ga izklopite in odstranite baterijo.
- Premikanje velikih kupov s pihalnikom traja dolgo časa in ustvarja nepotreben hrup.
- Po koncu pospravite za seboj. Pazite, da smeti ne odpihnete na sosedov vrt.
- Ne tekajte z izdelkom.

- Močni zračni tokovi lahko premikajo predmete s tako hitrostjo, da se ti lahko odbijejo in povzročijo hude poškodbe oči.



- Ne usmerjajte zračnega toka proti ljudem ali živalim.
- Pred nameščanjem ali odstranjevanjem dodatne opreme ali drugih delov izklopite motor.
- Delov telesa ne približujte vročim površinam.
- Izdelka nikoli ne odlagajte na tla z delujočim motorjem, razen če ga imate neprekinjeno pod strogim nadzorom.
- Zaustavite napravo in odstranite baterijo. Počakajte, da se vsi premikajoči se deli popolnoma zaustavijo:

- Kadar koli zapustite stroj.
- Pred čiščenjem blokad ali odmašitvijo kanala.
- Pred preverjanjem, čiščenjem ali delih na stroju.
- Nemudoma prekinite napajanje in počakajte, da se stroj ustavi, če rezalni mehanizem zadene ob predmet ali če stroj začne povzročati nenavadne zvoke ali se pojavijo treslaji. Baterijo odklopite s stroja in pred ponovnim zagonom in uporabo stroja izvedite naslednje korake:
 - preverite morebitne poškodbe,
 - zamenjajte ali popravite vse poškodovane dele,
 - preverite in zategnite vse odvite dele.
- Če se stroj zamaši, prekinite napajanje in baterijo odklopite s stroja, preden očistite neželeni material.
- Stroja ne prevažajte, ko je priklopljen na vir napajanja.
- Stroja ne nagibajte, ko je priklopljen na vir napajanja.
- Pihalnika ne smete uporabljati na lestvi ali gradbenem odru.



- Nikoli ne uporabljajte izdelka, če v primeru nesreče ne morete priklicati pomoči.

- Pozor pred izmetom predmetov. Kamenje, odpadke ipd. lahko stroj vrže v oči, to pa lahko povzroči slepoto ali resne poškodbe.

- Za večjo varnost med polnjenjem izdelka uporabite napravo na diferenčni tok (RCL). Naprava na diferenčni tok se namesti za zaščito uporabnikov v primeru električne okvare.

- Izdelek je poznan po svojih nizkih vibracijskih obremenitvah. Pri ljudeh, ki imajo težave s krvnim obtokom, lahko pretirana izpostavljenost tresljajem povzroči poškodbe ožilja ali živčevja. Če opazite znamenja pretirane izpostavljenosti tresljajem, se posvetujte z zdravnikom. Ti simptomi zajemajo otrplost, izgubo občutenja, ščemenje, zbadanje, bolečino, zmanjšano moč in spremembe barve ali stanja kože. Običajno se pojavijo v prstih, na rokah ali na zapestjih.

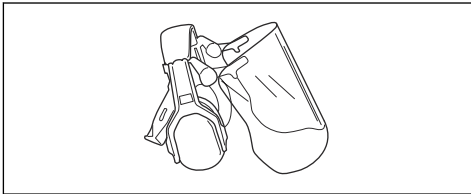
- Izdelek uporabljajte samo v skladu z namenom uporabe.
- Vseh možnih situacij ni mogoče predvideti. Pri delu s strojem bodite vedno previdni in prisebni. Izogibajte se situacijam, ki se vam zdijo prezahtevne. Če po branju teh navodil še vedno niste prepričani o delovnih postopkih, se pred nadaljevanjem posvetujte s strokovnjakom.

Osebna zaščitna oprema



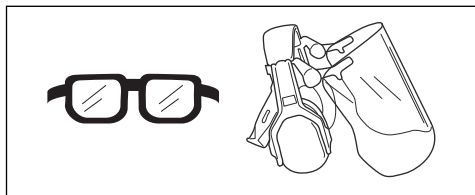
OPOZORILO: Pred uporabo izdelka preberite navodila v povezavi z opozorili v nadaljevanju.

- Pri uporabi izdelka vedno uporabljajte odobreno osebno zaščitno opremo. Osebna zaščitna oprema ne more popolnoma preprečiti poškodb, vendar v primeru nesreče omili posledice. Prodajalec naj vam pomaga izbrati ustrezno opremo.
- Dolgotrajna izpostavljenost hrupu lahko povzroči okvare sluha. Baterijski izdelki so na splošno razmeroma tihi, okvaro lahko povzročijo kombinacija ravni hrupa in dolgotrajne rabe. priporoča uporabo zaščite za sluh pri daljši stalni uporabi izdelkov. Pogosti in redni uporabniki bi morali imeti redne preglede sluha. Upoštevajte, da zaščite za sluh omejujejo slišnost zvokov in opozorilnih signalov.



- Uporabljajte odobreno zaščitno oči. Tudi če uporabljate vizir, morate vedno uporabljati tudi homologirana zaščitna očala. Homologirana zaščitna

očala morajo biti skladna s standardom ANSI Z87.1 za ZDA ali s standardom EN 166 za države EU.



- Uporabljajte oblačila iz trpežnih materialov. Vedno uporabljajte trpežne dolge hlače in dolge rokave. Ne uporabljajte ohlapnih oblačil, ki se lahko zataknejo za vejice ali veje. Ne nosite nakita, kratkih hlač in sandalov in ne hodite bosu. Lase si varno sprnite nad rameni.
- Paket prve pomoči hranite na dosegu roke.



- Če obstaja nevarnost prašenja, je treba uporabljati dihalno masko.

Varnostne naprave na izdelku



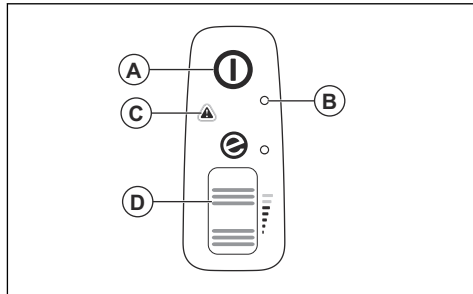
OPOZORILO: Pred uporabo izdelka preberite navodila v povezavi z opozorili v nadaljevanju.

- V tem poglavju so opisane varnostne funkcije izdelka, njihov namen ter kako je stroj treba pregledovati in vzdrževati, da bo deloval pravilno. Glejte navodila v poglavju *Pregled izdelka na strani 76* za mesta delov na izdelku.
- Življenjska doba izdelka se lahko zaradi nepravilnega vzdrževanja oziroma zaradi nestrokovnih popravil ali servisiranja skrajša, poveča pa se tudi nevarnost nesreč. Če potrebujete več informacij, se obrnite na najbližjega pooblaščenega servisnega trgovca.
- Nikoli ne uporabljajte izdelka s poškodovanimi varnostnimi deli. Varnostno opremo stroja je treba pregledovati in vzdrževati v skladu z navodili, ki so podana v tem poglavju. Če izdelek ob pregledu ne izpolnjuje vseh opisanih pogojev, se nemudoma obrnite na pooblaščenega serviserja za popravilo.
- Za vsa servisna dela in popravila na izdelku je treba opraviti posebno usposabljanje. To še posebej velja za varnostno opremo izdelka. Če pri spodaj opisanem pregledu ugotovite, da kateri koli del izdelka ne deluje tako, kot je opisano spodaj, se nemudoma obrnite na pooblaščen servisno delavnico. Pri nakupu vseh naših izdelkov vam jamčimo dostop do strokovnih popravil in servisa. Če izdelka niste kupili v kateri od naših pooblaščenih

servisnih prodajalnih, prodajalca vprašajte o najbližji pooblaščenih servisnih delavnicah.

Preverjanje tipkovnice

1. Pritisnite in pridržite gumb za vklop/izklop (A).



- a) Izdelek je vklopljen, ko lučka LED (B) sveti.
 - b) Izdelek je izklopljen, ko je lučka LED (B) izklopljena.
2. Glejte, *Uporabniški vmesnik na strani 88* Če se opozorilna indikatorska lučka (C) prižge ali utripa.
 3. Pritisnite in sprostite vrtljivi gumb za nastavitve načina delovanja (D), da preverite, ali se prosto premika.

Varna uporaba baterije



OPOZORILO: Pred uporabo izdelka preberite navodila v povezavi z opozorili v nadaljevanju.

- Uporabljajte samo serijo baterije 40-B, ki jih priporočamo za ta izdelek. Glejte, *Homologirane baterije na strani 90*. Baterije so šifrirane s programsko opremo.
- Serijo akumulatorske baterije 40-B uporabljajte kot vir napajanja samo za ustrezne izdelke Husqvarna. Za preprečevanje poškodb baterije ne uporabljajte za napajanje drugih naprav.
- Nevarnost električnega udara. Poli baterije ne smejo priti v stik s ključi, vijaki ali drugimi kovinskimi deli. To lahko povzroči kratak stik baterije.
- Ne uporabljajte baterij, ki jih ni mogoče polniti.
- V zračne reže baterije ne vstavljajte predmetov.
- Baterije ne izpostavljajte neposredni sončni svetlobi, vročini ali odprtemu ognju. Baterija lahko povzroči opekline in/ali kemične opekline.
- Baterije ne izpostavljate dežju in vlagi.
- Baterije ne izpostavljajte mikrovalovom in visokemu tlaku.
- Baterije ne poskušajte razstaviti ali odpreti.
- Baterijo uporabljajte v okolju s temperaturami med -10 °C (14 °F) in 40 °C (104 °F).
- Baterije ali polnilnika nikoli ne čistite z vodo. Glejte, *Čiščenje izdelka, baterije in polnilnika baterije na strani 88*.

- Ne uporabljajte poškodovane ali pokvarjene baterije.
- Baterije med skladiščenjem ne smejo priti v stik s kovinskimi predmeti, na primer žebliji, vijaki ali nakitom.
- Baterijo hranite zunaj dosega otrok.

Varna uporaba polnilnika baterije



OPOZORILO: Pred uporabo izdelka preberite navodila v povezavi z opozorili v nadaljevanju.

- Nevarnost električnega udara ali kratkega stika, če ne upoštevate varnostnih navodil.
- Ne uporabljajte baterijskih polnilnikov, ki niso bili priloženi izdelku. Za polnjenje nadomestnih baterij Husqvarna 40-B140 uporabljajte samo polnilnike 40-C80. Glejte, *Odobreni polnilniki baterije na strani 91 in Homologirane baterije na strani 91.*
- Polnilnika baterije ne poskušajte razstaviti.
- Ne uporabljajte poškodovanega ali pokvarjenega polnilnika baterije.
- Baterijskega polnilnika ne dvigujte za napajalni kabel. Polnilnik baterije odklopite iz stenske vtičnice tako, da povlečete vtič. Nikoli ne vlecite za napajalni kabel.
- Pazite, da kabli in kabelski podaljški ne pridejo v stik z vodo, oljem in ostrimi robovi. Kabel ne sme biti zataknen med stavbno pohištvo, na primer vrata ali za ograje, ali podobne predmete.
- Baterijskega polnilnika ne uporabljajte v bližini gorljivih materialov ali materialov, ki povzročajo korozijo. Pazite, da polnilnik baterije ni pokrit. V primeru dima ali požara izvlecite vtič polnilnika baterije.
- Baterijo polnite le v zaprtih prostorih z dobrim prezračenjem in zaščito pred neposrednim soncem. Baterije ne polnite na prostem. Baterijske enote ne polnite v stiku z vodo ali vlago.
- Polnilnik baterije uporabljajte samo v okolju s temperaturami med 5 °C (41 °F) in 40 °C (104 °F). Polnilnik uporabljajte v dobro prezračenem, suhem in brezprašnem okolju.

- V hladilne reže polnilnika baterije ne vstavljajte predmetov.
- Poli polnilnika baterije se ne smejo dotikati kovinskih predmetov, ker lahko to povzroči kratki stik.
- Uporabljajte nepoškodovane in odobrene omrežne vtičnice. Prepričajte se, da kabel polnilnika baterije ni poškodovan. V primeru uporabe podaljškov se prepričajte, da ti niso poškodovani.

Varnostna navodila za vzdrževanje



OPOZORILO: Pred vzdrževanjem izdelka preberite naslednja opozorila navodila.

- Ko je treba stroj zaustaviti zaradi servisiranja, pregleda, skladiščenja ali zaradi zamenjave dodatne opreme, počakajte, da se stroj ohladi, preden začnete s pregledi, nastavljanjem itd. Poskrbite za redno vzdrževanje in čiščenje stroja.
- Pred vzdrževanjem, drugimi pregledi ali sestavljanjem izdelka odstranite baterijo.
- Uporabnik sme sam izvajati le tista vzdrževalna in servisna dela, ki so navedena v teh navodilih za uporabo. Za obsežnejša vzdrževalna in servisna dela se obrnite na servisnega zastopnika.
- Maticе, vijaki in drugi pritrdilni elementi naj bodo tesno pritrjeni, s čimer zagotovite varne delovne pogoje.
- Obrabljene in poškodovane dele zamenjajte.
- Če ne vzdržujete izdelka, skrajšate njegovo življenjsko dobo in povečate nevarnost nesreč.
- Za servisiranje in popravila izdelka, zlasti za varnostne naprave na izdelku, je potrebno posebno usposabljanje. Če po vzdrževanju niso vsa preverjanja uspešno opravljena, se obrnite na servisnega zastopnika. Zagotavljamo vam, da so za vaš izdelek na voljo strokovna popravila in servisne storitve.
- Uporabljajte samo originalne nadomestne dele.

Montaža

Način pihalnika



OPOZORILO:

Če se rezila lopatice vrtijo ali se naprava nenamerno zažene, lahko pride do ureznin. Preden sestavite izdelek, odstranite baterijo in počakajte, da se lopatice rotorja ustavijo.

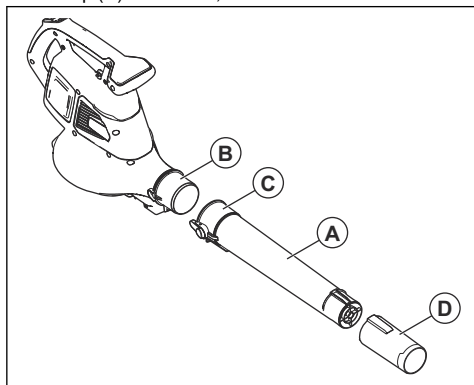


OPOZORILO: Preden uporabite izdelek v načinu pihalnika, v celoti sestavite cev pihalnika in pokrov sesalne odprtine.

Namestitev cevi pihalnika

Opomba: Če cev pihalnika ni pravilno nameščena, bo varnostno stikalo preprečilo zagon pihalnika.

1. Cev pihalnika (A) potisnite na izhod pihalnika (B). Zaklep (C) se zaskoči, ko zaslišite klik.

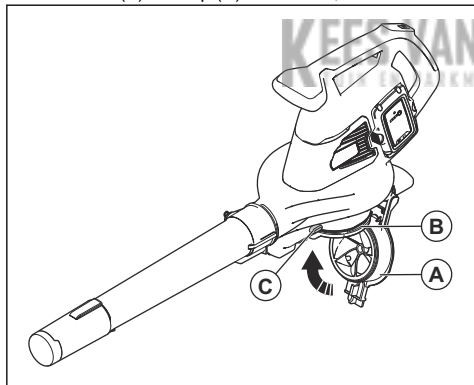


2. Šoba pihalnika (D) namestite na cev pihalnika. Šoba pihalnika se zaskoči v položaju, ko slišite klik.

Namestitev pokrova sesalne odprtine

Opomba: Če pokrov sesalne odprtine ni pravilno nameščen, varnostno stikalo prepreči zagon pihalnika.

- Zaprite pokrov sesalne odprtine (A) na odprtini sesalnika (B). Zaklep (C) se zaskoči, ko zaslišite klik.



Način sesanja



OPOZORILO: Preden uporabite izdelek v načinu sesanja, v celoti sestavite sesalno cev in zbiralno vrečo.

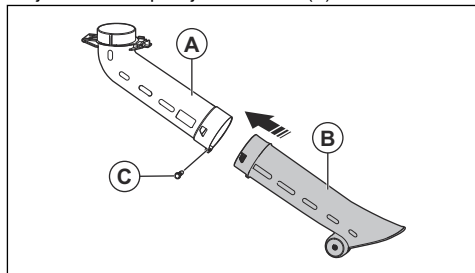
Namestitev sesalne cevi



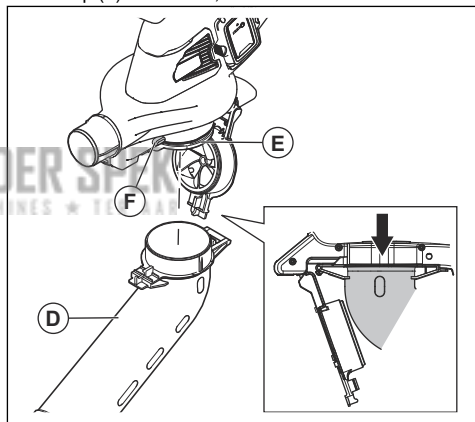
OPOZORILO: Pred zagonom izdelka namestite zgornjo in spodnjo sesalno cev.

Opomba: Če sesalna cev ni pravilno nameščena, bo varnostno stikalo preprečilo zagon sesalnika.

1. Zarezo na zgornji sesalni cevi (A) poravnajte z jezičkom na spodnji sesalni cevi (B).



2. Spodnjo sesalno cev potisnite v zgornjo sesalno cev, dokler ne zaslišite klika.
3. Zategnite vijak (C).
4. Sesalno cev (D) namestite na sesalno odprtino (E). Zaklep (F) se zaskoči, ko zaslišite klik.



Namestitev zbiralne vreče

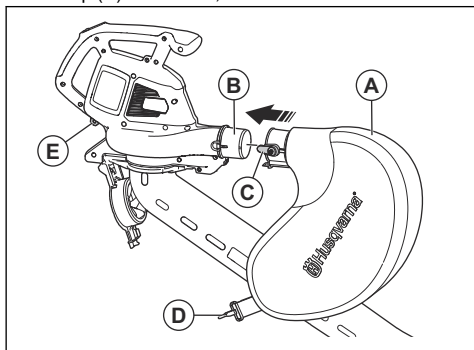
Opomba: Če zbiralna vreča ni pravilno nameščena, bo varnostno stikalo preprečilo zagon izdelka.



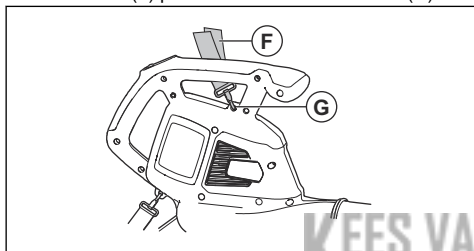
OPOZORILO: Stroj pred nameščanjem ali odstranjevanjem vreče izklopite.

1. Če je cev pihalnika nameščena na izdelek, jo odstranite.

- Zbiralno vrečo (A) potisnite na izhod sesalnika (B). Zaklep (C) se zaskoči, ko zaslišite klik.



- Zanko zbiralne vreče (D) pritrdite z varovalnim zatičem (E).
- Naramnico (F) pritrdite z varovalnim zatičem (G).



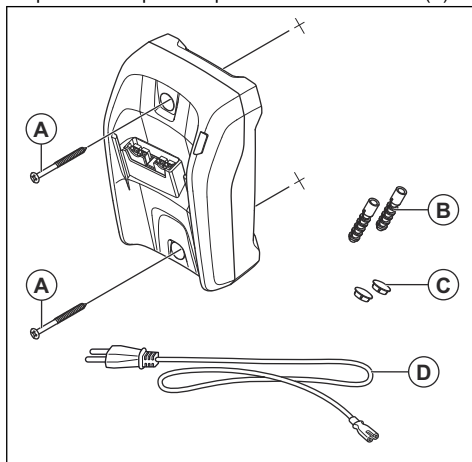
- Prepričajte se, da je zbiralna vreča povsem zaprta.

Namestitev baterijskega polnilnika na steno



POZOR: Pri namestitvi baterijskega polnilnika na steno ne uporabljajte električnih vijačnikov. Električni vijačniki lahko poškodujejo baterijski polnilnik.

- Z 2 vijakoma (A) na steno namestite baterijski polnilnik. Po potrebi uporabite stensko vtičnico (B).



- Namestite 2 čepka za luknje vijakov (C).
- Napajalni kabel (D) baterijskega polnilnika priklopite v primerno glavno omrežno vtičnico.

KEES VAN DER SPEK
WORKMACHINES • TER AAR

Delovanje

Uvod



OPOZORILO: Preden začnete uporabljati izdelek, morate prebrati in razumeti poglavje o varnosti.

Preverjanje delovanja pred uporabo izdelka

- Preverite, ali je odprtina za vhod zraka umazana ali razpokana. S krtačo odstranite travo in listje z izdelka.
- Poskrbite, da izdelek deluje pravilno.

- Preverite vse matice in vijake ter poskrbite, da so priviti.

Baterija



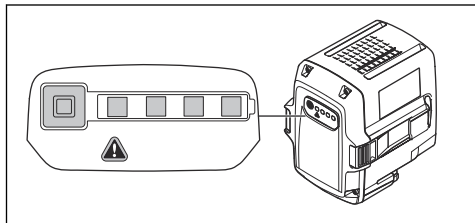
OPOZORILO: Preden začnete uporabljati baterijo, morate prebrati in razumeti poglavje o varnosti. Preberite in razumite tudi navodila za uporabo, ki so priložena bateriji in polnilniku.

Baterijo in polnilnik baterije shranjujte v prostoru z ustrežno temperaturo.

	Temperatura okolice
Delovanje baterije	5–40 °C/41–104 °F
Polnjenje baterije	5–40 °C/41–104 °F

Stanje baterije

Na zaslonu je prikazana napolnjenost baterije in podatki o morebitnih težavah z baterijo.



Indikator LED	Stanje napolnjenosti baterije
Svetijo 4 indikatorji LED	Baterija je napolnjena med 76 in 100 %.
Svetijo 3 indikatorji LED	Baterija je napolnjena med 51 in 75 %.
Svetijo 2 indikatorji LED	Baterija je napolnjena med 26 in 50 %.
Sveti 1 indikator LED	Baterija je napolnjena med 6 in 25 %.
1 indikator LED utripa	Baterija je napolnjena med 0 in 5 %.

Polnjenje baterije

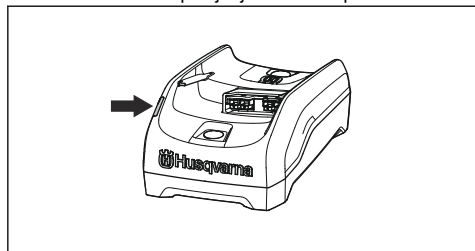
Baterijo pred prvo uporabo napolnite. Nova baterija je napolnjena samo 30-odstotno.



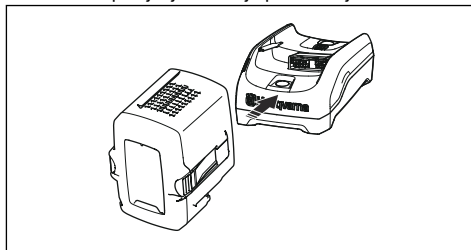
POZOR: Baterijski polnilnik priklopite na vtičnico z napetostjo in frekvenco, ki sta navedeni na tipski ploščici.

Če temperatura baterije presega 50 °C/122 °F, se baterija ne bo polnila.

1. Napajalni kabel priključite na baterijski polnilnik.
2. Priključite baterijski polnilnik v ozemljeno vtičnico. Indikator LED za polnjenje enkrat utripne.



3. Baterijo priključite na baterijski polnilnik. Zasveti indikator polnjenja. Baterijo polnite največ 24 ur.



4. Pritisnite gumb stanja baterije. Baterija je popolnoma napolnjena, če zasvetijo vsi indikatorji.
5. Izvlecite napajalni priključek, da odklopite baterijski polnilnik iz električne vtičnice. Nikoli ne vlecite za napajalni kabel.
6. Odstranite baterijo iz polnilnika.

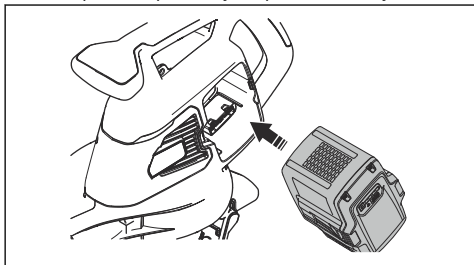
Vstavitve baterije v izdelek



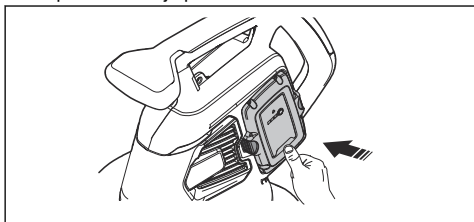
OPOZORILO: V izdelku uporabljajte samo originalne baterije Husqvarna.

1. Baterija mora biti popolnoma napolnjena.

- Potisnite baterijo v držalo baterije v izdelku. Pri potiskanju baterije v izdelek ne smete čutiti upora. V nasprotnem primeru jo nepravilno vstavljate.

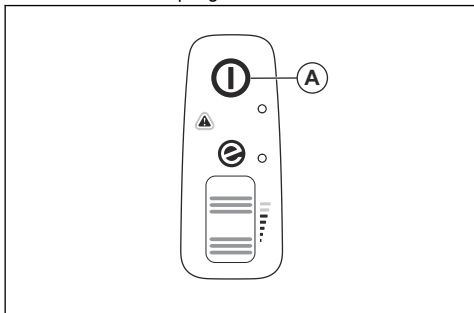


- Pritisnite na spodnji del baterije in baterijo potisnite do konca v izdelek. Baterija se pravilno zaskoči, ko slišite klik.
- Zapahi se morajo pravilno zaskočiti.

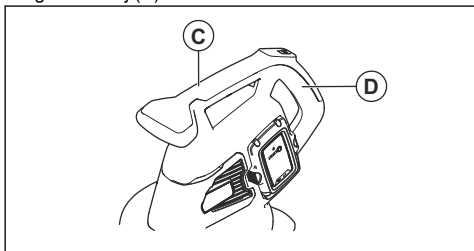


Zagon izdelka

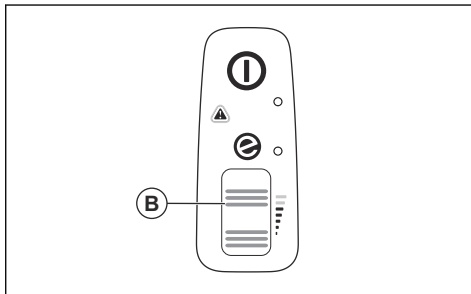
- Pridržite gumb za vklop/izklop (A), dokler se zeleni indikator LED ne prižge.



- Z eno roko držite dodatni ročaj (C), z drugo pa držite glavni ročaj (D).

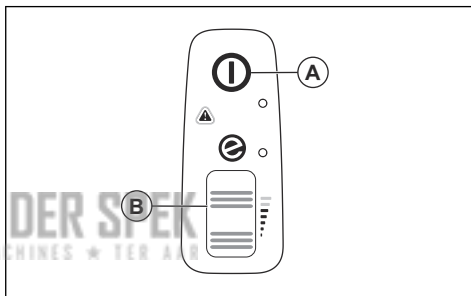


- Zavrtite vrtljivi gumb za nastavev načina delovanja (B) navzgor, da zaženete način pihalnika ali sesalnika.



Zaustavitev izdelka

- Zavrtite vrtljivi gumb za nastavev načina delovanja (B) navzdol, da izklopite način pihalnika ali sesalnika.

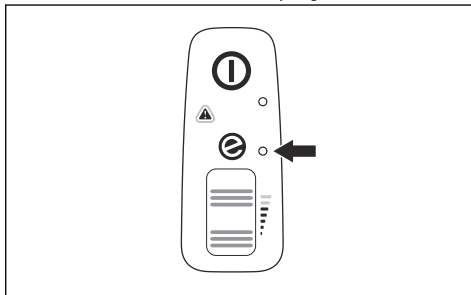


- Pridržite gumb za vklop/izklop (A), dokler zeleni indikator LED ne ugasne.

ECO-način

ECO-način podaljša življenjsko dobo baterije.

- Zavrtite vrtljivi gumb za nastavev načina delovanja navzdol, da zaženete ECO-način. Ko se zažene ECO-način, se indikator LED prižge.



- Zavrtite vrtljivi gumb za nastavev načina delovanja, da zaženete običajen način. Ko se zažene običajen način, indikator LED ugasne.

Praznjenje zbiralne vreče



OPOZORILO:

Ostri predmeti lahko povzročijo poškodbe. Med praznjenjem vreče ne segajte vanjo z rokami.

1. Izklopite izdelek.
2. Odstranite zbiralno vrečo.
3. Notranjo stran zbiralne vrečke obrnite navzven in odstranite zbrane predmete.

4. Zbiralno vrečo sperite z vodo.
5. Zbiralno vrečo pustite, da se posuši.
6. Namestite zbiralno vrečo.

Funkcija samodejnega izklopa

Izdelek ima funkcijo samodejnega izklopa, ki ga zaustavi, če se ta ne uporablja. Izdelek se izklopi po 1 minuti.

Vzdrževanje

Uvod



OPOZORILO: Pred izvajanjem vzdrževalnih del morate prebrati in razumeti poglavje o varnosti.

Urnik vzdrževanja



OPOZORILO: Pred vzdrževanjem odstranite baterijo.

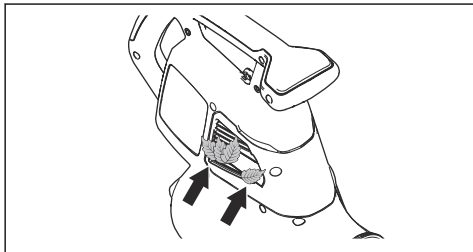
V nadaljevanju je naveden seznam vzdrževalnih korakov, ki jih je treba opraviti pri izdelku.

Vzdrževanje	Dnevno	Teden-sko	Mesečno
Zunanje površine očistite s čisto in suho krpo. Ne uporabljajte vode.	X		
Ročaj mora biti čist, suh in brez olja ali masti.	X		
Preverite pravilno delovanje in nepoškodovanost gumba za vklop/izklop.	X		
Prepričajte se, da vrtljivi gumb za nastavitev načina delovanja deluje pravilno z vidika varnosti.	X		
Preverite, ali so vijaki in matice dobro priviti.	X		
Preverite, ali je baterija poškodovana.	X		
	X		
Prepričajte se, da gumba za sprostitve na bateriji delujeta pravilno in omogočata pravi zaklep baterije v izdelku.	X		
Preverite, ali je polnilnik baterije poškodovan, in se prepričajte, da pravilno deluje.	X		
Preverite ali so spoji, povezave in kabli poškodovani ter se prepričajte, da niso umazani.		X	
Preverite priključke med baterijo in izdelkom ter med baterijo in baterijskim polnilnikom.			X
Zračne reže čistite z mehko krtačo (ne uporabljajte izvijača).	X		
Odstranite cev pihalnika ali sesalno cev in jo očistite.	X		
Izpraznite zbiralno vrečo in jo očistite. Glejte, <i>Praznjenje zbiralne vreče na strani 87.</i>	X		
Z dovodne odprtine in pokrova sesalne odprtine odstranite travo, listje, umazano in drug neželeni material.	X		

Vzdrževanje	Dnevno	Teden- sko	Mesečno
Preverite, ali je rotor vztrajnika onesnažen in ga po potrebi očistite s topim dolgim predmetom.	X		

Preverjanje dovoda zraka

1. Prepričajte se, da dovod zraka na nobeni strani izdelka ni blokiran.



2. Po potrebi zaustavite izdelek in odstranite listje ali drug neželeni material.



POZOR: Blokiran dovod zraka zmanjšuje pihalno kapaciteto izdelka ter viša delovno temperaturo motorja. To

lahko povzroči okvaro motorja zaradi pretiranega segrevanja.

Pregled baterije in polnilnika baterije

1. Preverite, ali je baterija poškodovana, na primer razpokana.
2. Preverite, ali je polnilnik baterije poškodovan, na primer razpokan.
3. Prepričajte se, da povezovalni kabel polnilnika baterije ni poškodovan in nima razpok.

Čiščenje izdelka, baterije in polnilnika baterije

1. Izdelek po uporabi očistite s suho krpo.
2. Baterijo in polnilnik baterije očistite s suho krpo. Vodila baterije morajo biti vedno čista.
3. Poli na bateriji in polnilniku baterije morajo biti čisti, ko vstavite baterijo v polnilnik ali izdelek.

Odpravljanje težav

KEES VAN DER SPEK
TUIN EN PARKMACHINES • TER AAR

Uporabniški vmesnik

Uporabniški vmesnik	Možne napake	Možna rešitev
Utripajoč rdeči indikator LED za napako.	Odstopanje temperature.	Izdelek naj se ohladi.
	Odstranite cev ali pokrov ventilatorja.	Namestite cev ali pokrov ventilatorja.
	Napaka baterije.	Zamenjajte baterijo ali jo napolnite.
	Potreben je servis.	Obrnite se na servisnega zastopnika.
Izdelka ni mogoče zagnati.	Umazanija v priključkih baterije.	Očistite s stisnjenim zrakom ali mehko krtačko.

Baterija

prikaz indikatorjev LED	Možne napake	Možna rešitev
Zelena lučka LED utripa.	Nizka napetost baterije.	Napolnite baterijo.
Utripanje lučke LED za napako.	Odstopanje temperature.	Baterijo uporabljajte v okolju s temperaturami med -10 °C (14 °F) in 40 °C (104 °F).
	Previsoka napetost.	Prepričajte se, da je omrežna napetost združljiva z napetostjo izdelka. Oglejte si ploščico s tehničnimi podatki na izdelku. Odstranite baterijo iz polnilnika.
Lučka LED za napako zasveti.	Prevelika razlika med celicami (1 V).	Obrnite se na servisnega zastopnika.

Polnilnik baterije

Stanje	Možne napake	Možen postopek
Indikator polnjenja sveti rdeče.	Trajna napaka polnilnika baterije.	Obrnite se na svojega prodajalca.
Indikator polnjenja utripa zeleno.	Odstopanje temperature; baterija je premrzla ali prevroča za uporabo ali polnjenje.	Počakajte, da se baterija ohladi ali ogreje. Ko bo temperatura baterije ustrezna, jo lahko spet uporabljate ali polnite. Baterijski polnilnik uporabljajte v okolju s temperaturami med 5 °C (41 °F) in 40 °C (104 °F).
Indikator polnjenja utripa rdeče.	Poškodovana baterija.	Obrnite se na svojega prodajalca.

Transport skladiščenje in odstranitev

Prevoz in skladiščenje

- Priložene litij-ionske baterije so skladne z zahtevami zakonodaje o nevarnem blagu.
- Pri transportu, tudi če ga izvaja tretja oseba ali posrednik, je treba upoštevati posebna navodila na embalaži in nalepkah.
- Pred pošiljanjem izdelka se posvetujte z osebo, ki je posebej usposobljena za nevarne snovi. Upoštevajte vse veljavne nacionalne predpise.
- Ob vstavljanju baterije v paket prelepite izpostavljene kontakte. Baterijo vstavite v paket tako, da se ne more premikati.
- Pred vsakim shranjevanjem se mora stroj ohladiti.
- Pri skladiščenju ali prevozu vedno odstranite baterijo.
- Baterijo in polnilnik baterije hranite v suhem prostoru, kjer ni vlage in zmrzali.
- Baterije ne shranjujte v prostoru, v katerem je lahko prisotna statična elektrika. Baterije ne shranjujte v kovinski škattli.
- Baterijo shranite v prostor s temperaturami med 5 in 25 °C (41–77°F), v katerem ne sme biti izpostavljena neposredni sončni svetlobi.
- Polnilnik baterije shranite v prostor s temperaturami med 5 in 45 °C (41–113 °F) tako, da ne bo izpostavljen neposredni sončni svetlobi.
- Polnilnik baterije uporabljajte samo v okolju s temperaturami od 5 do 40 °C (41–104 °F).
- Pred dolgotrajnejšim skladiščenjem mora biti baterija napolnjena med 30 % in 50 %.
- Polnilnik baterije shranite v zaprt in suh prostor.
- Med shranjevanjem baterija ne sme biti v bližini polnilnika. Otroci in druge nepooblaščen osebe se ne smeje dotikati opreme. Oprema mora biti shranjena v prostoru, ki ga je mogoče zakleniti.

- Pred dolgotrajnejšim skladiščenjem izdelke očistite in opravite popoln servis.
- Pred prevozom in skladiščenjem na izdelek namestite transportno zaščito, da preprečite telesne poškodbe ali škodo na izdelku.
- Med prevozom varno pritrdite izdelek.

se pomaga preprečiti škodovanje okolju in ogrožanje zdravja ljudi.

Za več informacij se obrnite na lokalne oblasti, službo za gospodinjne odpadke ali prodajalca.



Odstranitev baterije, baterijskega polnilnika in izdelka

Spodnji simbol pomeni, da izdelek ni gospodinjni odpadke. Treba ga je reciklirati v zbirnem centru za reciklažo električne in elektronske opreme. Tako

Opomba: Simbol je prikazan na izdelku ali embalaži izdelka.

Tehnični podatki

Tehnični podatki

120iBV	
Motor	
Tip motorja	BLDC (brezkrtačni enosmerni) 36 V
Teža	
Teža brez baterije v kg	4,6
Emisije hrupa ¹³	
Raven zvočne moči, izmerjena v dB (A)	97
Raven zvočne moči, zajamčena L _{WA} v dB(A)	100
Nivoji hrupa ¹⁴	
Ekvivalentna raven zvočnega tlaka pri uporabnikovem ušesu, izmerjena v skladu s standardoma EN ISO 11203 in ISO 22868, dB(A):	84
Ravni vibracij ¹⁵	
Ravni vibracij pri ročajih, izmerjene v skladu s standardom ISO 22867, m/s ²	1,4/1,7
Zmogljivost ventilatorja	
Pretok zraka v običajnem načinu s standardno šobo, m ³ /min	6,7
Največja hitrost zraka v običajnem načinu s standardno šobo, m/s/mph	50/111

Hrup in podatki o vibracijah so določeni na podlagi nazivne najvišje hitrosti.

Homologirane baterije

Za ta izdelek so primerne samo originalne Husqvarna baterije 40-B.

¹³ Emisije hrupa v okolje, merjene kot moč zvoka (L_{WA}), v skladu z direktivo ES 2000/14/ES. Navedena raven zvočne moči naprave je bila izmerjena z originalnim rezalnim priključkom, ki dosega najvišjo raven. Razlika med zajamčeno in izmerjeno ravno zvočno moči je, da zajamčena raven zvočne moči v skladu z Direktivo 2000/14/ES vključuje tudi razpršitev rezultata meritve in razlike med različnimi napravami istega modela.

¹⁴ Podatki za ekvivalentno raven zvočnega tlaka za napravo imajo tipično statistično razpršitev (standardni odklon) v vrednosti 3 dB (A).

¹⁵ Zabeleženi podatki za raven vibracij imajo tipično statistično razpršitev (standardni odklon) 1,5 m/s².

Homologirane baterije

Baterija	40-B140
Vrsta	Litij-ionska
Zmogljivost akumulatorja v Ah	4
Nazivna napetost, V	36
Teža, kg	1,25

Odobreni polnilniki baterije

Polnilnik baterije	40-C80
Omrežna napetost, V	100–240
Frekvenca, Hz	50–60
Moč, W	72
Izhodna napetost, V DC/ Moč, A	43/1,6

KEES VAN DER SPEK
TUIN EN PARKMACHINES ★ TER AAR

Izjava o skladnosti

Izjava EU o skladnosti

Mi, **Husqvarna AB**, SE--561 82 Huskvarna, ŠVEDSKA,
tel: +46-36-146500, izjavljamo na lastno odgovornost,
da je izdelek:

Opis	Ročni vrtni pihalnik/sesalnik
Znamka	Husqvarna
Vrsta/model	120iBV
Identifikacija	Serijske številke od letnika 2022 dalje

v celoti skladen z naslednjimi direktivami in uredbami
EU:

Uredba	Opis
2006/42/ES	"o strojih"
2014/30/EU	"o elektromagnetni združljivosti"
2011/65/EU	"o omejevanju uporabe nekaterih nevarnih snovi v električni in elektronski opremi"
2000/14/EC	"o emisijah hrupa v okolico"

in so pri tem v veljavi naslednji
standardi in/ali tehnične specifikacije: EN
60335-1:2012+A11+A13+A1+A14+A2+A15, EN
50636-2-100:2014, EN IEC 63000:2018, EN ISO
12100:2010, EN IEC 55014-1:2021; EN IEC
55014-2:2021

Za informacije v zvezi z emisijami hrupa glejte poglavje
Tehnični podatki na strani 90.

Huskvarna, 2023-01-16



Claes Losdal, Vodja oddelka za raziskave in razvoj,
Husqvarna AB

Odgovorni za tehnično dokumentacijo

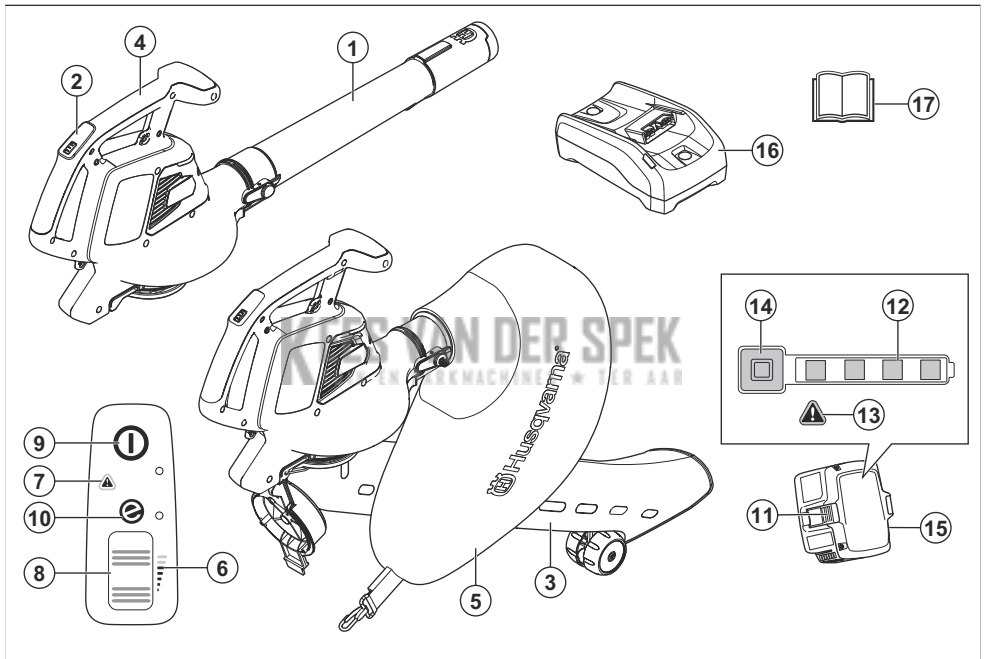


Sommario

Introduzione.....	93	Ricerca guasti.....	106
Sicurezza.....	95	Trasporto, stoccaggio e smaltimento.....	107
Montaggio.....	100	Dati tecnici.....	108
Utilizzo.....	102	Dichiarazione di conformità.....	110
Manutenzione.....	104		

Introduzione

Panoramica del prodotto



1. Tubo del soffiatore
2. Tastierino
3. Tubo dell'aspiratore
4. Impugnatura
5. Cesto di raccolta
6. Indicatore del flusso d'aria
7. Spia (LED di errore)
8. Ruota motrice
9. Pulsante start/stop
10. Indicatore SavE
11. Pulsante per il rilascio della batteria
12. Stato della batteria
13. Spia (LED di errore)
14. Indicatore di alimentazione e spia
15. Batteria, inclusa solo nel kit del soffiatore Husqvarna 120iBV
16. Caricabatteria, incluso solo nel kit del soffiatore Husqvarna 120iBV.
17. Manuale dell'operatore

Descrizione del prodotto

Husqvarna 120iBV è un modello di soffiatore/aspiratore da giardino con motore elettrico.

Procediamo costantemente allo sviluppo dei nostri prodotti e ci riserviamo quindi il diritto di apportare, senza alcun preavviso, modifiche riguardanti fra l'altro la forma e l'aspetto esteriore.

Usò previsto

Modalità soffiatore: Il soffiatore è progettato per soffiare particelle di sporco o detriti d'erba da sentieri, vialetti, cortili e simili. È inoltre progettato per soffiare residui d'erba, paglia o foglie creando pile o per rimuovere particelle di sporcizia da angoli, giunti o spazi vuoti tra piastrelle o mattoni.

Modalità aspiratore: L'aspiratore è progettato per aspirare materiali asciutti. Ciò include foglie, erba, ramoscelli e pezzi di carta.

Simboli riportati sul prodotto



AVVERTENZA: questo prodotto può essere pericoloso e causare lesioni gravi o mortali all'operatore o a terzi. Prestare attenzione e utilizzare il prodotto correttamente.



Leggere attentamente il Manuale dell'operatore e accertarsi di aver compreso le istruzioni prima di utilizzare questo prodotto.



Utilizzare protezioni per gli occhi omologate.



Tensione nominale, V



Corrente diretta.



Emissioni di rumore nell'ambiente in conformità alle direttive e alle norme UE e UK e alla norma del Nuovo Galles del Sud in materia di protezione dell'ambiente "Protection of the Environment Operations (Noise Control) Regulation 2017". Il livello di potenza sonora garantito del prodotto è specificato in *Dati tecnici alla pagina 108* nonché sull'etichetta.



Scollegare la batteria prima di eseguire la manutenzione.



Il prodotto o l'imballaggio del prodotto non è un rifiuto domestico. Riciclarlo in una stazione di riciclaggio per apparecchiature elettriche ed elettroniche.



Il prodotto è conforme alle direttive CE vigenti.



Il presente prodotto è conforme alle direttive del Regno Unito vigenti.



Non esporre alla pioggia.



Dopo aver spento il prodotto, attendere fino all'arresto delle lame del rotore.



Utilizzare il prodotto in modalità aspiratore solo quando il tubo è completamente assemblato.



Il conducente del soffiatore deve controllare che non vi siano persone od animali in un raggio di 15 metri. Anche più conducenti che lavorino contemporaneamente nello stesso luogo devono mantenere tra loro una distanza di sicurezza non inferiore a 15 metri. Il soffiatore può urtare violentemente oggetti che possono rimbalzare, causando seri danni agli occhi se non vengono usati i dispositivi di sicurezza consigliati.



aaaa-ssxxxxx

La targhetta dati di funzionamento mostra il numero di serie. **aaaa** è l'anno di produzione, **ww** è la settimana di produzione.

Nota: I restanti simboli/decalcomanie applicati sull'accessorio riguardano particolari requisiti necessari per ottenere la certificazione in alcuni mercati.

Simboli sulla batteria e/o sul caricabatterie



Riciclare questo prodotto in una stazione di riciclaggio per apparecchiature elettriche ed elettroniche. (Solo per l'Europa)



Trasformatore a prova di guasto.



Utilizzare e conservare il caricabatteria solo in ambienti interni.



Doppio isolamento.

Produttore

Husqvarna AB

Drottninggatan 2, SE-561 82 Huskvarna

Responsabilità del prodotto

Come indicato nelle leggi vigenti in materia di responsabilità obbligatoria sul prodotto, non siamo responsabili per eventuali danni causati dal nostro prodotto se:

- Il prodotto viene riparato in modo errato.
- Il prodotto viene riparato con parti che non provengono o non sono omologate dal produttore.
- Il prodotto contiene un accessorio che non proviene o non è omologato dal produttore.
- Il prodotto non viene riparato presso un centro di assistenza autorizzato o presso un'autorità competente.

Sicurezza

Definizioni di sicurezza

I simboli di avvertenza e cautela e le note vengono utilizzati per evidenziare le parti importanti del manuale dell'operatore.



AVVERTENZA: Utilizzato se è presente un rischio di lesioni o morte dell'operatore o di passanti nel caso in cui le istruzioni del manuale non vengano rispettate.



ATTENZIONE: Utilizzato se è presente un rischio di danni al prodotto e/p all'accessorio, ad altri materiali oppure alla zona adiacente nel caso in cui le istruzioni del manuale non vengano rispettate.

Nota: Utilizzato per fornire ulteriori informazioni necessarie in una determinata situazione.

Istruzioni di sicurezza generali



AVVERTENZA: Leggere le seguenti avvertenze prima di utilizzare il prodotto.

- Leggere attentamente le istruzioni sui comandi e sul corretto funzionamento della macchina. L'uso incauto e non corretto del prodotto può essere fonte di pericoli e causare lesioni gravi o morte all'operatore o ad altri.
- Evitare assolutamente di modificare la versione originale del prodotto senza l'autorizzazione del fabbricante. Non usare mai un prodotto che abbia subito modifiche tali da non corrispondere più alle

specifiche originali e utilizzare sempre accessori originali. Modifiche e/o accessori non autorizzati possono causare gravi lesioni personali o mortali all'operatore o a terzi. La garanzia non copre i danni o inconvenienti causati dall'uso di accessori o pezzi di ricambio non omologati.

- Durante il funzionamento, questo prodotto genera un campo elettromagnetico. Tale campo può interferire, in alcuni casi, con persone portatrici di impianti medici attivi o passivi. Per ridurre il rischio di condizioni che possono implicare lesioni personali gravi o mortali, i portatori di tali impianti devono consultare il proprio medico e il produttore dell'impianto prima di utilizzare questo prodotto.
- Rimuovere la batteria dal prodotto prima di ricaricarla.

Avvertenze generali di sicurezza dell'attrezzo elettrico

Controlli prima dell'avviamento

- Controllare l'area di lavoro. Asportare eventuali corpi estranei quali pietre, frammenti di vetro, chiodi, fili di acciaio, corde ecc. che potrebbero essere scagliati.
- Rimuovere sempre la batteria per evitare che la macchina venga azionata per errore. Scollegare sempre la batteria prima di procedere alla manutenzione della macchina.
- Prima di utilizzare la macchina e dopo ogni impatto, controllare eventuali segni di usura o danno e, se necessario, ripararli.
- Utilizzare unicamente ricambi originali.
- L'operatore deve accertarsi che persone o animali non si avvicinino entro un raggio di 15 metri durante il lavoro. Nel caso in cui più utenti stiano lavorando nella stessa zona, la distanza di sicurezza deve essere almeno 15 metri.

- Eseguire un'ispezione generale della macchina prima dell'utilizzo, vedere Programma di manutenzione.
- La normativa nazionale o locale potrebbe regolarne l'utilizzo. Assicurare la conformità alla normativa in vigore.

Sicurezza personale

- **Nell'uso di un elettrotensile, restare allerta, fare attenzione a ciò che si sta facendo e usare il buonsenso. Non usare un elettrotensile quando si è stanchi o sotto l'effetto di droga, alcol o farmaci.** Un attimo di disattenzione può causare lesioni personali gravi.
- Tenere lontano persone e animali dalla zona di lavoro.
- Questo apparecchio non è destinato all'utilizzo da parte di persone (bambini inclusi) con ridotte capacità fisiche, sensoriali o mentali, oppure con mancanza di esperienza e conoscenza, a meno che siano istruite o controllate durante l'utilizzo da una persona responsabile della loro sicurezza. I bambini devono essere sorvegliati per evitare che giochino con l'apparecchio.
- I bambini o le persone che non conoscono le istruzioni d'uso dell'apparecchio non possono utilizzarlo. Alcune normative locali possono limitare l'età dell'operatore.
- Mantenere sempre distanti i non addetti ai lavori. Bambini, animali, assistenti e anche eventuali spettatori devono sempre essere tenuti a una distanza di sicurezza di 15 m (50 piedi). Arrestare immediatamente la macchina nel caso qualcuno si avvicini.
- Conservare l'attrezzatura in un luogo chiuso a chiave e quindi lontano dalla portata di bambini e di persone non autorizzate.
- Non utilizzare la macchina su una superficie asfaltata o sulla ghiaia in quanto il materiale espulso potrebbe provocare lesioni.
- Durante il funzionamento della macchina indossare sempre scarpe solide e pantaloni lunghi. Non utilizzare la macchina a piedi nudi o indossando sandali aperti. Evitare di indossare abiti larghi o con fili sospesi o nastri.
- Non indossare abiti larghi o gioielli che possano essere aspirati nelle prese d'aria. Tenere lontani i capelli lunghi dalle prese d'aria.
- Non usare la macchina in condizioni di stanchezza o sotto l'effetto di alcol o medicinali in grado di compromettere il vostro stato psichico e il controllo dei vostri atti.
- Usare sempre abbigliamento protettivo. Vedere le istruzioni alla sezione "Abbigliamento protettivo personale".
- Rimuovere sempre la batteria prima di passare la macchina a un'altra persona.
- Si prega di notare che l'operatore è responsabile di eventuali incidenti o pericoli a persone o cose.

Uso e cura dell'attrezzo elettrico

- Non usare mai una macchina che abbia subito modifiche tali da non corrispondere più alle specifiche originali. Non utilizzare mai la macchina vicino a materiali esplosivi o infiammabili.
- Non usare mai una macchina difettosa. Eseguire i controlli di sicurezza e attenersi alle istruzioni di manutenzione e riparazione riportate nel presente manuale. Alcuni interventi devono essere eseguiti da personale specializzato. Vedere le istruzioni alla sezione Manutenzione.
- Utilizzare unicamente ricambi originali.
- Assicurarsi sempre che le aperture di ventilazione siano sgombre da detriti.
- Tutti i carter, le protezioni e le impugnature devono essere montati prima di avviare la macchina.
- Utilizzare la macchina solo alla luce solare o in altre condizioni di sufficiente illuminazione.
- Non utilizzare mai la macchina in condizioni meteorologiche sfavorevoli quali nebbia, pioggia, umidità o luoghi umidi, vento forte, freddo intenso, fulmini, ecc. Un tempo estremamente caldo può causare il surriscaldamento della macchina. Lavorare con il maltempo è faticoso e può creare situazioni di pericolo, ad esempio un terreno sdruciolevole.
- Se la macchina inizia a vibrare in modo anomalo, arrestarla e rimuovere la batteria.
- Procedere adagio, non correre.

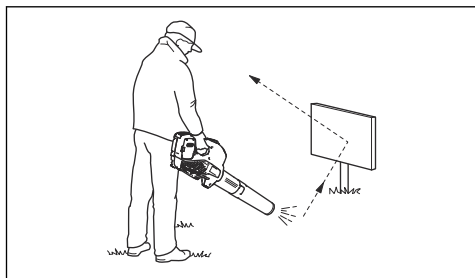
Istruzioni di sicurezza per il funzionamento



AVVERTENZA: Leggere le seguenti avvertenze prima di utilizzare il prodotto.

- Se si è incerti riguardo a come procedere, rivolgersi a un esperto. Contattare il proprio rivenditore o l'officina di assistenza. Evitare qualsiasi lavoro per il quale non ci si sente sufficientemente qualificati.
- Accertarsi di poter camminare e lavorare in sicurezza. In caso di spostamenti, controllare che non vi siano ostacoli (ceppi, radici, rami, fossati ecc.). Fare particolare attenzione quando si lavora su terreni in pendenza.
- Mantenere una posizione stabile ed equilibrata in qualsiasi momento. Operare in sicurezza.
- Far sempre attenzione a segnali di allarme o eventuali grida quando si utilizzano le cuffie protettive. Togliere sempre le cuffie protettive immediatamente all'arresto del prodotto.
- Non utilizzare il prodotto vicino a finestre aperte.
- Rispettare l'ambiente circostante evitando di usare il prodotto a orari inadeguati, ad esempio la sera tardi o la mattina presto. Attenersi alle norme e alle ordinanze locali vigenti.

- Usare il prodotto con il minimo flusso d'aria possibile. Sono rari i casi in cui è necessario usare il flusso d'aria al massimo e molte operazioni possono essere eseguite con un flusso d'aria di media intensità. Un flusso d'aria più basso implica un minor livello di rumore e di polvere e consente inoltre maggior controllo sul materiale da raccogliere/ spostare.
- In presenza di molta polvere, inumidire leggermente la superficie durante l'uso del prodotto.
- Usare un rastrello o una scopa per staccare dal suolo il materiale incastrato.
- Tenere la bocchetta del soffiatore il più possibile vicino al suolo.
- Prestare attenzione all'ambiente circostante. Dirigere il prodotto lontano da persone, animali, parchi-giochi, autovetture ecc.
- Ridurre al minimo il tempo di soffiatura inumidendo leggermente le aree polverose o utilizzando l'attrezzatura spray.
- Tenere in considerazione la direzione del vento. Evitare di lavorare controvento per alleggerire le operazioni.
- Spegnerne il prodotto e rimuovere la batteria se il prodotto comincia a vibrare in maniera anomala.
- Evitare di spostare masse voluminose con l'uso del soffiatore: è un'operazione lunga e inutilmente rumorosa.
- Ripulire la zona di lavoro dopo l'operazione. Accertarsi di non aver spinto parte del materiale in zone di proprietà privata.
- Non correre con il prodotto.
- Il flusso d'aria ha un'intensità in grado di spostare gli oggetti a una tale velocità da far sì che essi possano rimbalzare provocando gravi lesioni agli occhi.



- Non rivolgere il flusso d'aria verso persone o animali.
- Spegnerne il motore prima di montare o smontare gli accessori o altri componenti.
- Tenere le parti del corpo lontano dalle superfici roventi.
- Non poggiare mai il prodotto a motore acceso se non lo si può tenere bene d'occhio.
- Arrestare la macchina e rimuovere la batteria. Assicurarsi che tutte le parti mobili siano completamente ferme:
 - ogni volta che si lascia la macchina

- prima di rimuovere ostruzioni o stasare lo scivolo
- prima di controllare, pulire o lavorare sulla macchina
- Spegnerne immediatamente l'alimentazione e lasciare che la macchina si arresti se il meccanismo di taglio colpisce corpi estranei o se la macchina inizia a produrre vibrazioni o rumori insoliti. Scollegare la batteria dalla macchina e attenersi alla procedura seguente prima di riavviare e mettere in funzione la macchina:
 - verificare l'eventuale presenza di danni
 - riparare o sostituire le parti danneggiate
 - controllare e serrare eventuali parti allentate
- Spegnerne l'alimentazione e scollegare la macchina dalla batteria prima di rimuovere eventuali corpi estranei in caso di ostruzione.
- Non trasportare questa macchina con l'alimentazione inserita.
- Non inclinare la macchina con l'alimentazione inserita.
- Non utilizzare il soffiatore su scale o ponteggi.



- Non utilizzare il prodotto se non si è certi di poter chiedere aiuto in caso d'infortunio.
- Rischio di oggetti volanti. Si potrebbe venir colpiti a un occhio da un sasso, un ramo o altri oggetti sollevatisi dal terreno, con conseguenze anche molto gravi, quali cecità o altre lesioni.
- Impiegare un dispositivo salvavita (RCI) per maggiore sicurezza quando si ricarica il prodotto. In caso di guasto elettrico un dispositivo salvavita protegge la macchina.
- Questo prodotto è rinomato per il suo basso carico di vibrazioni. La sovraesposizione alle vibrazioni può causare lesioni neuro-vascolari a chi soffre di disturbi circolatori. In caso di sintomi riferibili a sovraesposizione alle vibrazioni, contattare il medico. Esempi di questi sintomi: intorpidimento, perdita di sensibilità, "formicolio", "torpore", dolore, mancanza di forza o riduzione delle forze normali, alterazioni di colore o aspetto della pelle. Tali sintomi si riscontrano soprattutto alle mani, ai polsi e alle dita.
- Non utilizzare il prodotto per scopi diversi da quelli previsti.
- Non è possibile coprire tutte le situazioni immaginabili che potreste affrontare. Prestare

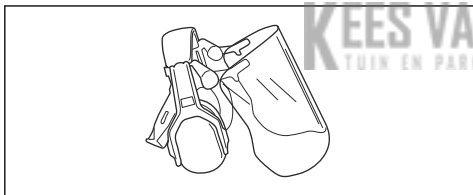
sempre attenzione e usare il buon senso. Evitare tutte le situazioni che richiedono capacità superiori alle proprie. Se dopo aver letto le presenti istruzioni persistono dubbi sulle procedure operative, rivolgersi a un esperto prima di continuare.

Dispositivi di protezione individuale

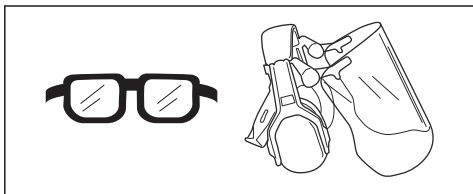


AVVERTENZA: Leggere le seguenti avvertenze prima di utilizzare il prodotto.

- Usare sempre abbigliamento protettivo personale omologato quando si utilizza il prodotto. L'uso di dispositivi di protezione individuale non elimina il rischio di lesioni, ma ne riduce la gravità in caso di incidente. Farsi consigliare dal rivenditore per la scelta dell'attrezzatura adatta.
- Una lunga esposizione al rumore può comportare lesioni permanenti all'udito. In generale, i prodotti alimentari a batteria sono relativamente silenziosi ma la combinazione di livello acustico e uso prolungato può provocare lesioni. raccomanda che gli operatori indossino cuffie protettive quando utilizzano prodotti in modo continuativo per un periodo superiore a un giorno. Gli operai che utilizzano il prodotto in modo regolare e continuativo devono essere sottoposti regolarmente al controllo dell'udito. Tenere presente che le cuffie protettive limitano la capacità di udire suoni e segnali di avvertenza.

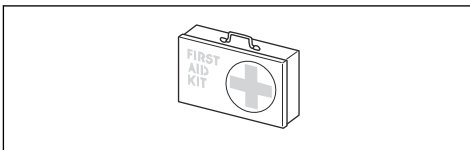


- Utilizzare protezioni per gli occhi omologate. Con l'uso della visiera è necessario anche l'uso di occhiali protettivi omologati. Con il termine occhiali protettivi omologati si intendono occhiali che siano conformi alle norme ANSI Z87.1 per gli USA o EN 166 per i paesi EU.



- Indossare indumenti di tessuto resistente. Indossare sempre pantaloni lunghi e pesanti e maniche lunghe. Non indossare indumenti larghi che potrebbero impigliarsi nei ramoscelli e nei rami. Non indossare gioielli, pantaloni corti o sandali e non lavorare a piedi nudi. Raccogliere i capelli in modo sicuro sopra le spalle.

- Tenere a portata di mano il kit di primo soccorso.



- Usare la mascherina nel caso in cui esista il rischio di polvere.

Dispositivi di sicurezza sul prodotto

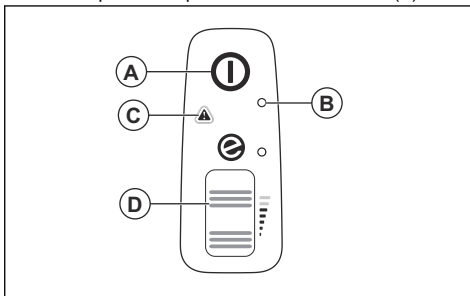


AVVERTENZA: Leggere le seguenti avvertenze prima di utilizzare il prodotto.

- In questo capitolo vengono presentati i dispositivi di sicurezza del prodotto, la loro funzione, il controllo e la manutenzione necessari per assicurarne una funzione ottimale. Vedere le istruzioni alla sezione *Panoramica del prodotto alla pagina 93* per individuare la posizione di queste parti sul prodotto.
- La durata del prodotto può ridursi e il rischio di incidenti aumentare se la manutenzione non viene eseguita correttamente e se l'assistenza e/o le riparazioni non vengono effettuate da personale qualificato. Per ulteriori informazioni, contattare il rivenditore con assistenza più vicino.
- Non utilizzare mai un prodotto con dispositivi di sicurezza difettosi. I dispositivi di sicurezza di sicurezza del prodotto vanno controllati e sottoposti a manutenzione secondo quanto descritto in questo capitolo. Se il prodotto non supera tutti i controlli, contattare un'officina per le necessarie riparazioni.
- Tutte le riparazioni e l'assistenza del prodotto vanno eseguite da personale specializzato. Quanto detto vale in particolare per i dispositivi di sicurezza del prodotto. Se il prodotto non supera tutti i controlli sottoelencati, contattare l'officina autorizzata. L'acquisto di uno dei nostri prodotti garantisce l'assistenza di personale qualificato. Se non avete acquistato il prodotto presso un rivenditore con centro di assistenza, informatevi sull'ubicazione della più vicina officina autorizzata.

Controllo della tastiera

1. Tenere premuto il pulsante di avvio/arresto (A).



- a) Il prodotto è acceso quando il LED (B) si accende.
 - b) Il prodotto è spento quando il LED (B) si spegne.
2. Fare riferimento a *Interfaccia utente alla pagina 106* se la spia di avvertenza (C) si accende o lampeggia.
 3. Premere e rilasciare la ruota motrice (D) per verificare che si muova liberamente.

Sicurezza batterie



AVVERTENZA: Leggere le seguenti avvertenze prima di utilizzare il prodotto.

- Utilizzare solo le serie di batterie 40-B consigliate per il prodotto. Fare riferimento a *Batterie approvate alla pagina 108*. Le batterie sono codificate mediante software.
- Utilizzare le batterie ricaricabili della serie 40-B per l'alimentazione esclusivamente per i prodotti Husqvarna in questione. Per evitare il rischio di lesioni, non utilizzare la batteria come fonte di alimentazione per altri dispositivi.
- Rischio di scosse elettriche. Non collegare i morsetti della batteria a chiavi, viti o altro tipo di metallo. Ciò può causare un corto circuito della batteria.
- Non utilizzare batterie non ricaricabili.
- Non inserire oggetti nelle feritoie di aerazione della batteria.
- Tenere la batteria lontano dalla luce del sole, dal calore o da fiamme libere. La batteria può causare bruciature e/o ustioni chimiche.
- Tenere la batteria lontano da pioggia e umidità.
- Tenere la batteria lontano da microonde e alta pressione.
- Non tentare di smontare o rompere la batteria.
- Utilizzare la batteria a temperature comprese tra -10 °C (14 °F) e 40 °C (104 °F).
- Non pulire la batteria o il caricabatterie con acqua. Fare riferimento a *Per pulire il prodotto, la batteria e il caricabatterie alla pagina 106*.
- Non utilizzare una batteria difettosa o danneggiata.
- Conservare le batterie lontano da oggetti metallici, come ad esempio chiodi, viti o gioielli.
- Tenere la batteria fuori dalla portata dei bambini.

Sicurezza del caricabatterie



AVVERTENZA: Leggere le seguenti avvertenze prima di utilizzare il prodotto.

- Rischio di scosse elettriche o cortocircuiti se non si osservano le istruzioni di sicurezza.
- Non utilizzare caricabatterie diversi da quelli in dotazione con il prodotto. Utilizzare i caricabatterie 40-C80 solo per ricaricare le batterie di ricambio Husqvarna 40-B140. Fare riferimento a

Caricabatterie omologati alla pagina 109 e Batterie approvate alla pagina 108.

- Non tentare di smontare il caricabatterie.
- Non utilizzare un caricabatterie difettoso o danneggiato.
- Non sollevare il caricabatterie tramite il cavo di alimentazione. Per scollegare il caricabatterie da una presa di rete, tirare la spina. Non tirare il cavo di alimentazione.
- Tenere tutti i cavi e le prolunghe lontani da acqua, olio e bordi appuntiti. Fare attenzione affinché il cavo non si incastri in oggetti come, ad esempio, porte, recinti o simili.
- Non utilizzare il caricabatterie in prossimità di materiali infiammabili o materiali corrosivi. Accertarsi che il caricabatterie non sia coperto. Staccare la spina del caricabatterie in caso di fumo o incendio.
- Caricare la batteria solo in luoghi chiusi, in una posizione con un buon flusso d'aria e lontano dalla luce diretta del sole. Non caricare la batteria all'aperto. Non caricare la batteria in condizioni di umidità.
- Utilizzare esclusivamente il caricabatterie a temperature comprese tra 5 °C (41 °F) e 40 °C (104 °F). Utilizzare il caricabatterie in un ambiente con adeguato flusso d'aria, asciutto e privo di polvere.
- Non inserire oggetti nelle feritoie di raffreddamento del caricabatterie.
- Non collegare i terminali del caricabatterie a oggetti metallici, poiché si potrebbe provocare un cortocircuito del caricabatterie.
- Utilizzare prese di rete omologate che non siano danneggiate. Accertarsi che il cavo del caricabatterie non sia danneggiato. Se si utilizzano cavi di prolunga, accertarsi che questi non siano danneggiati.

Istruzioni di sicurezza per la manutenzione



AVVERTENZA: Leggere le seguenti avvertenze prima di eseguire la manutenzione del prodotto.

- Quando la macchina viene arrestata per la manutenzione, l'ispezione o la conservazione o per sostituire un accessorio, lasciare raffreddare la macchina prima di eseguire verifiche, regolazioni e simili. Eseguire la manutenzione della macchina con cura e mantenerla pulita.
- Rimuovere la batteria prima di eseguire la manutenzione, altri controlli o montare il prodotto.
- L'operatore deve eseguire solo gli interventi di manutenzione e assistenza indicati in questo manuale operatore. Rivolgersi al centro di assistenza di competenza per interventi di manutenzione e assistenza più importanti.

- Verificare che tutti i dadi, i bulloni e le viti siano saldi, in modo che il prodotto sia in condizioni operative sicure.
- Sostituire le parti usurate o danneggiate.
- Se non si esegue la manutenzione, si riduce il ciclo di vita del prodotto e aumenta il rischio di incidenti.
- È necessaria una formazione specifica per eseguire tutti gli interventi di manutenzione e lavori di

- riparazione, in particolare per i dispositivi di sicurezza del prodotto. Se non sono approvati tutti i controlli descritti nel presente manuale operatore dopo la manutenzione, rivolgersi al centro di assistenza. La nostra azienda garantisce la disponibilità di personale qualificato per le riparazioni e l'assistenza del prodotto.
- Adoperare solo ricambi originali.

Montaggio

Modalità soffiatore



AVVERTENZA:

Possono verificarsi lesioni da taglio in caso di rotazione delle lame del rotore o avviamento accidentale del prodotto. Rimuovere la batteria e attendere che le lame del rotore si fermino prima di montare il prodotto.



AVVERTENZA: Assemblare completamente il tubo del soffiatore e il coperchio di aspirazione prima di utilizzare il prodotto in modalità soffiatore.

Montaggio del tubo del soffiatore

Nota: Quando il tubo del soffiatore non è montato correttamente, un interruttore di sicurezza impedisce l'avviamento del soffiatore.

1. Spingere il tubo (A) del soffiatore verso l'uscita (B) del soffiatore. L'interblocco (C) si innesta quando si ode uno scatto.

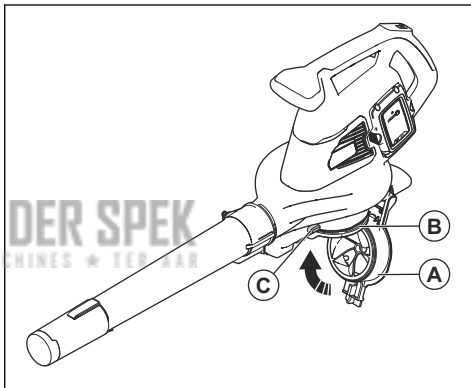


2. Installare l'ugello (D) del soffiatore sul tubo del soffiatore. L'ugello del soffiatore si blocca in posizione quando si percepisce un clic.

Montaggio del coperchio di aspirazione

Nota: Quando il coperchio di aspirazione non è montato correttamente, un interruttore di sicurezza impedisce l'avviamento del soffiatore.

- Chiudere il coperchio di aspirazione (A) sull'ingresso (B) del soffiatore. L'interblocco (C) si innesta quando si ode uno scatto.



Modalità di aspirazione



AVVERTENZA: Assemblare completamente il tubo dell'aspiratore e il cesto di raccolta prima di utilizzare il prodotto in modalità aspiratore.

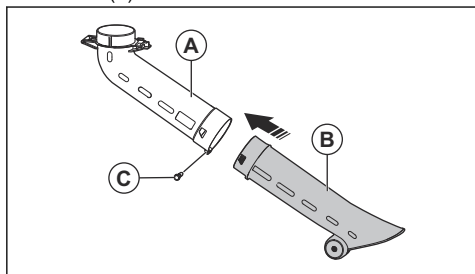
Montaggio del tubo dell'aspiratore



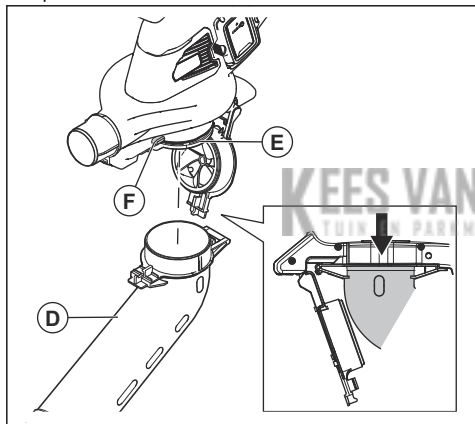
AVVERTENZA: Assemblare i tubi dell'aspiratore superiore e inferiore prima di avviare il prodotto.

Nota: Quando il tubo dell'aspiratore non è montato correttamente, un interruttore di sicurezza impedisce l'avvio dell'aspiratore.

1. Allineare le scanalature sul tubo dell'aspiratore inferiore (A) con le linguette sul tubo dell'aspiratore superiore (B).



2. Spingere il tubo dell'aspiratore inferiore sul tubo dell'aspiratore superiore fino a quando non si percepisce un clic.
3. Serrare la vite (C).
4. Installare il tubo dell'aspiratore (D) sull'ingresso dell'aspiratore (E). L'interblocco (F) si innesta quando si ode uno scatto.



Assemblaggio del cesto di raccolta

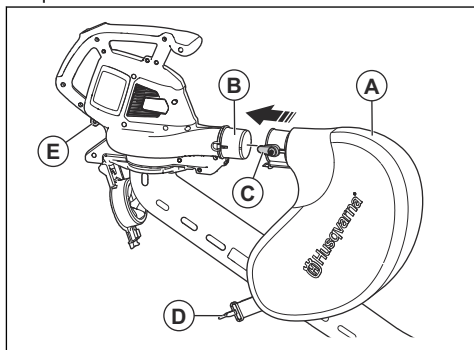
Nota: Se il cesto di raccolta non è montato correttamente, un interruttore di sicurezza arresta la procedura di avvio del prodotto.



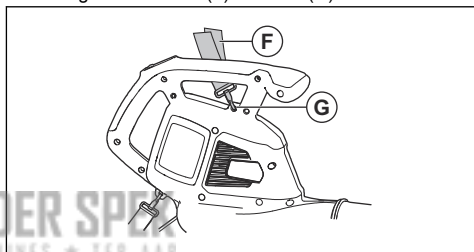
AVVERTENZA: Arrestare la macchina prima di collegare o rimuovere il cesto.

1. Rimuovere il tubo del soffiatore se è installato sul prodotto.

2. Spingere il cesto di raccolta (A) verso l'uscita dell'aspiratore (B). L'interblocco (C) si innesta quando si ode uno scatto.



3. Collegare la cinghia del cesto di raccolta (D) al fermo (E).
4. Collegare la tracolla (F) al fermo (G).



5. Assicurarsi che il cesto di raccolta sia completamente chiuso.

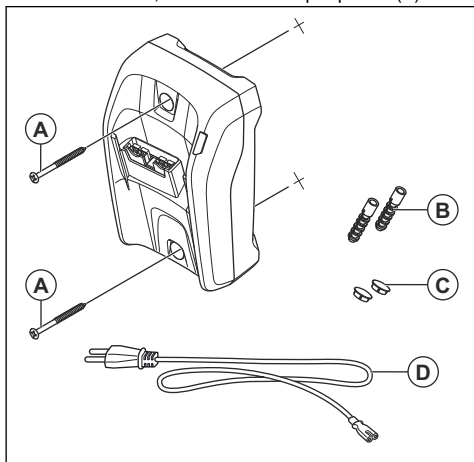
Installazione del caricabatterie alla parete



ATTENZIONE: Non utilizzare un cacciavite elettrico per installare il caricabatterie sulla parete. Un cacciavite elettrico può danneggiare il caricabatterie.

1. Installare il caricabatterie alla parete con le 2 viti (A).
Se necessario, utilizzare tasselli per parete (B).

2. Installare i 2 tappi a vite con foro (C).
3. Collegare il cavo di alimentazione (D) al caricabatterie e a una presa a muro.



Utilizzo

Introduzione



AVVERTENZA: Leggere e comprendere il capitolo sulla sicurezza prima di utilizzare la macchina.

Mantenere la batteria e il caricabatterie a una temperatura ambiente adeguata.

	Temperatura ambiente
Funzionamento della batteria	5 °C-40 °C / 41 °F-104 °F
Caricamento della batteria	5 °C-40 °C / 41 °F-104 °F

Verifica della funzionalità della macchina prima del suo utilizzo

1. Controllare se la presa d'aria è sporca o presenta incrinature. Utilizzare una spazzola e rimuovere l'erba e il fogliame dal prodotto.
2. Assicurarsi che il prodotto funzioni correttamente.
3. Controllare tutti i dadi e le viti e assicurarsi che siano serrati.

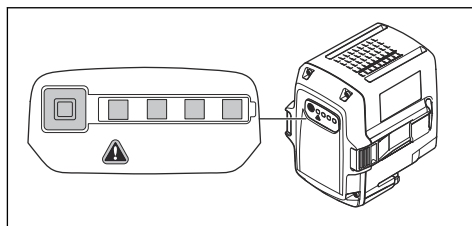
Stato della batteria

Il display mostra lo stato di carica e se sussistono problemi con la batteria.

Batteria



AVVERTENZA: Leggere e comprendere il capitolo sulla sicurezza prima di utilizzare la batteria. Leggere e comprendere il manuale operatore della batteria e del caricabatterie.



Spia LED	Stato di carica della batteria
4 LED sono accesi	La batteria è carica al 76% - 100%.
3 LED sono accesi	La batteria è carica al 51% - 75%.
2 LED sono accesi	La batteria è carica al 26% - 50%.
1 LED è acceso	La batteria è carica al 6% - 25%.

Spia LED	Stato di carica della batteria
1 LED lampeggia	La batteria è carica al 0% - 5%.

Ricarica della batteria

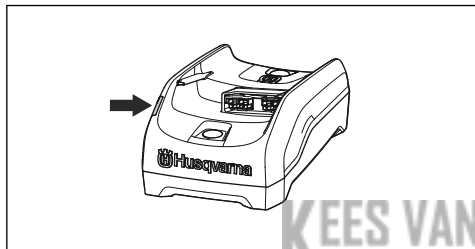
È necessario caricare la batteria prima di utilizzarla per la prima volta. Una batteria nuova è carica solo al 30 %.



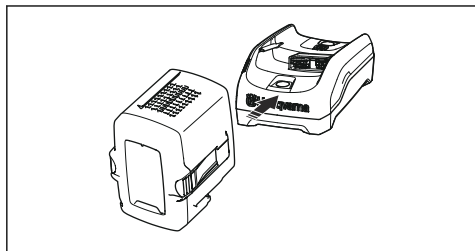
ATTENZIONE: Collegare il caricabatterie a una presa di corrente con la tensione e la frequenza indicate sulla targhetta dati di funzionamento.

La batteria non si carica se la sua temperatura è superiore a 50 °C/122 °F.

1. Collegare il cavo di alimentazione al caricabatterie.
2. Collegare il caricabatterie a una presa di corrente con messa a terra. Il LED di carica lampeggia una volta.



3. Collegare la batteria al caricabatterie. Il LED di carica si accende. Caricare la batteria per massimo 24 ore.



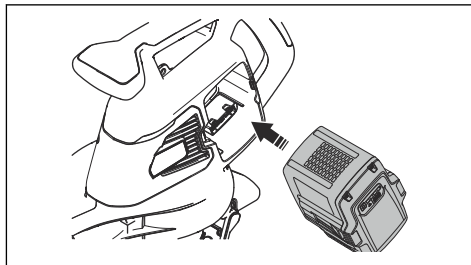
4. Premere il pulsante della spia della batteria; se tutte le spie LED si accendono, la batteria è completamente carica.
5. Estrarre la spina di alimentazione per scollegare il caricabatterie dalla presa di corrente. Non tirare il cavo di alimentazione.
6. Rimuovere la batteria dal caricabatterie.

Collegamento della batteria al prodotto

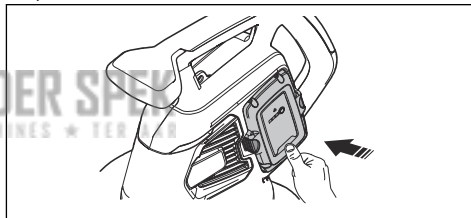


AVVERTENZA: Utilizzare solo le batterie originali Husqvarna nel prodotto.

1. Verificare che la batteria sia completamente carica.
2. Far scorrere la batteria nel supporto della batteria del prodotto. La batteria deve entrare facilmente, in caso contrario, non è installata correttamente.

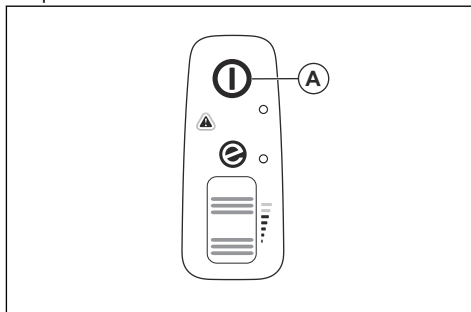


3. Premere sulla parte inferiore della batteria e spingere verso l'interno fino a inserirla nel vano batterie. La batteria si blocca in posizione quando si percepisce un clic.
4. Assicurarsi che le chiusure scattino correttamente in posizione.

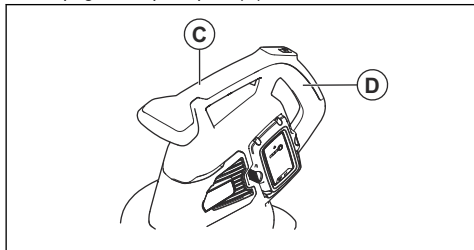


Avviamento del prodotto

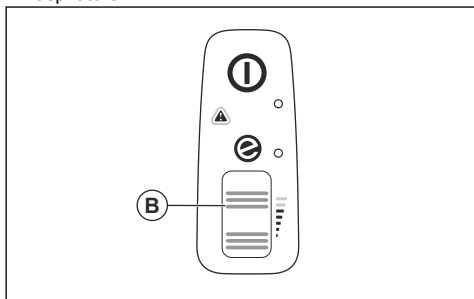
1. Tenere premuto il pulsante di avvio/arresto (A) fino a quando il LED verde non si accende.



2. Tenere l'impugnatura ausiliaria (C) con una mano e l'impugnatura principale (D) con l'altra.

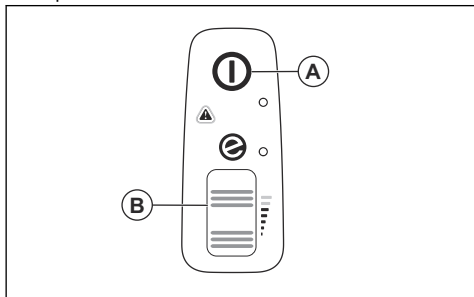


3. Far scorrere la ruota motrice (B) verso l'alto per avviare la modalità soffiatore o la modalità aspiratore.



Arresto del prodotto

1. Far scorrere la ruota motrice (B) verso il basso per arrestare la modalità soffiatore o la modalità aspiratore.

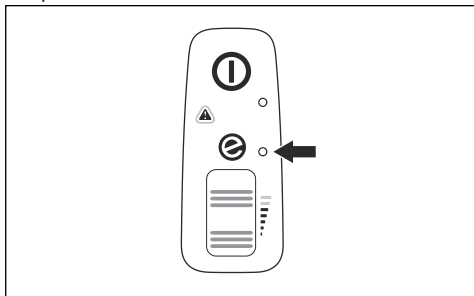


2. Tenere premuto il pulsante di avvio/arresto (A) fino a quando il LED verde non si spegne.

Modalità ECO

La modalità ECO aumenta la durata della batteria.

- Far scorrere verso il basso la ruota motrice per avviare la modalità ECO. La spia LED si accende quando viene avviata la modalità ECO.



- Far scorrere verso l'alto la ruota motrice per avviare la modalità normale. La spia LED si spegne quando viene avviata la modalità normale.

Svuotamento del cesto di raccolta



AVVERTENZA:

Gli oggetti appuntiti possono causare lesioni. Non mettere le mani nel cesto di raccolta quando lo si svuota.

1. Arrestare il prodotto.
2. Rimuovere il cesto di raccolta.
3. Girare il cesto di raccolta verso l'esterno e rimuovere gli oggetti raccolti.
4. Pulire il cesto di raccolta con un tubo dell'acqua.
5. Lasciare asciugare il cesto di raccolta.
6. Assemblare il cesto di raccolta.

Funzione di arresto automatico

Il prodotto dispone di una funzione di arresto automatico che lo blocca in caso di mancato utilizzo. Il prodotto si spegne dopo 1 minuto.

Manutenzione

Introduzione



AVVERTENZA: Prima di eseguire qualsiasi lavoro di manutenzione, è necessario leggere e capire il capitolo relativo alla sicurezza.

Programma di manutenzione



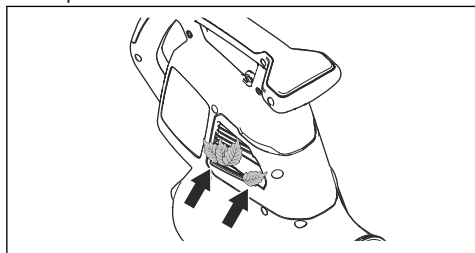
AVVERTENZA: Rimuovere la batteria prima di eseguire la manutenzione.

Qui di seguito è disponibile una lista delle operazioni di manutenzione da eseguire sul prodotto.

Manutenzione	Giornaliera	Una volta a settimana	Una volta al mese
Pulire la superficie esterna con un panno pulito e asciutto. Non utilizzare acqua.	X		
Mantenere le impugnature asciutte, pulite e prive di olio e grasso.	X		
Accertarsi che il pulsante di avvio/arresto funzioni correttamente e che non sia danneggiato.	X		
Assicurarsi che la ruota motrice funzioni correttamente in termini di sicurezza.	X		
Verificare il serraggio dei dadi e delle viti.	X		
Controllare la presenza di eventuali danni alla batteria.	X		
	X		
Assicurarsi che i pulsanti di sblocco sulla batteria funzionino correttamente e che blocchino la batteria all'interno del prodotto.	X		
Controllare che il caricabatterie non sia danneggiato e che funzioni correttamente.	X		
Esaminare tutti i raccordi, i collegamenti e i cavi per verificare che non siano danneggiati e assicurarsi che non siano sporchi.		X	
Ispezionare i collegamenti tra la batteria e il prodotto e quello tra la batteria e il caricabatterie.			X
Pulire le feritoie per la circolazione dell'aria con una spazzola morbida (non utilizzare un cacciavite).	X		
Rimuovere e pulire il tubo del soffiatore o il tubo dell'aspiratore.	X		
Svuotare e pulire il cesto di raccolta. Fare riferimento a <i>Svuotamento del cesto di raccolta alla pagina 104</i> .	X		
Rimuovere erba, foglie, sporcizia o qualsiasi materiale indesiderato dall'apertura di aspirazione e dal coperchio di aspirazione.	X		
Esaminare la girante della ventola per verificare che non sia contaminata e, se necessario, pulirla con un oggetto lungo e smussato.	X		

Controllo della presa d'aria

1. Accertarsi che la presa d'aria non sia ostruita sui lati del prodotto.



2. Spegner il prodotto e rimuovere le foglie o qualsiasi materiale indesiderato, se necessario.



ATTENZIONE: Una presa d'aria ostruita riduce la capacità di soffiaggio del prodotto e aumenta la temperatura di lavoro del motore. Ciò può provocare un guasto al motore a causa del surriscaldamento dello stesso.

Controllo della batteria e del caricabatterie

1. Controllare se la batteria presenta danni, ad esempio incrinature.
2. Controllare se il caricabatterie presenta danni, ad esempio incrinature.
3. Verificare che il cavo di collegamento del caricabatterie non sia danneggiato e che non presenti crepe.

Per pulire il prodotto, la batteria e il caricabatterie

1. Pulire il prodotto con un panno asciutto dopo l'uso.
2. Pulire la batteria e il caricabatterie con un panno asciutto. Mantenere puliti i binari guida della batteria.

3. Assicurarsi che i morsetti della batteria e il caricabatterie siano puliti prima di posizionare la batteria nel caricabatterie o nel prodotto.

Ricerca guasti

Interfaccia utente

Interfaccia utente	Possibili guasti	Soluzione possibile
Il LED rosso di errore lampeggia.	Deviazione di temperatura.	Lasciare che il prodotto si raffreddi.
	Il tubo o il coperchio della ventola sono stati rimossi.	Montare il tubo o il coperchio della ventola.
	Errore della batteria.	Sostituire o ricaricare la batteria.
	È necessario eseguire la manutenzione.	Contattare il centro di assistenza.
Il prodotto non si avvia.	Presenza di sporcizia nei collegamenti della batteria.	Pulire con aria compressa o con una spazzola morbida.

Batteria

Display a LED	Possibili guasti	Soluzione possibile
Il LED verde lampeggia.	La tensione della batteria è bassa.	Caricare la batteria.
Il LED di errore lampeggia.	Deviazione di temperatura.	Utilizzare la batteria a temperature comprese tra -10 °C (14 °F) e 40 °C (104 °F).
	Tensione eccessiva.	Accertarsi che la tensione di rete corrisponda alla tensione del prodotto. Fare riferimento alla targhetta dati di funzionamento sul prodotto. Rimuovere la batteria dal caricabatterie.
Il LED di errore si accende.	Differenza eccessiva tra le celle (1 V).	Contattare il centro di assistenza.

Caricabatteria

Condizione	Possibili guasti	Possibile procedura
Il LED di carica è rosso.	Errore permanente del caricabatterie.	Rivolgersi al proprio rivenditore.
Il LED di carica lampeggia in verde.	Deviazione di temperatura, la batteria è troppo fredda o troppo calda per essere usata o caricata.	Lasciare raffreddare la batteria o riscaldarla. Quando la batteria ha la temperatura corretta, può essere usata o caricata di nuovo. Utilizzare il caricabatterie a temperature ambiente comprese tra 5 °C (41 °F) e 40 °C (104 °F).
Il LED di carica lampeggia in rosso.	Batteria difettosa	Rivolgersi al proprio rivenditore.

Trasporto, stoccaggio e smaltimento

Trasporto e stoccaggio

- Le batterie agli ioni di litio in dotazione rispettano i requisiti di legge sulle merci pericolose.
- Rispettare i requisiti speciali riportati sulla confezione e sulle etichette per il trasporto commerciale, compreso quello effettuato da terzi e da corrieri.
- Parlare con personale che ha seguito una formazione specifica in materiali pericolosi prima di inviare il prodotto. Rispettare tutte le norme nazionali vigenti.
- Quando si inserisce la batteria in un contenitore, applicare del nastro adesivo sui contatti aperti. Inserire la batteria nel contenitore in modo da garantirne la massima aderenza.
- Fare raffreddare sempre la macchina prima di riportarla.
- Rimuovere la batteria per la conservazione o il trasporto.
- Conservare la batteria e il caricabatterie in un luogo asciutto, privo di umidità e protetto dal gelo.
- Non conservare la batteria in aree elettricamente statiche. Non conservare mai la batteria in una scatola di metallo.
- Durante il rimessaggio, conservare la batteria in un luogo dove la temperatura è compresa tra 5 °C/41 °F e 25 °C/77 °F e lontano da luce solare.
- Durante il rimessaggio, conservare il caricabatterie in un luogo dove la temperatura è compresa tra 5 °C/41 °F e 45 °C/113 °F e lontano da luce solare.
- Utilizzare il caricabatterie soltanto quando la temperatura circostante è compresa tra 5 °C/41 °F e 40 °C/104 °F.
- Caricare la batteria dal 30% al 50% prima di immagazzinarla per lunghi periodi.

- Conservare il caricabatterie in un luogo chiuso e asciutto.
- Tenere la batteria lontano dal caricabatterie durante il rimessaggio. Non lasciare che i bambini e altre persone non autorizzate tocchino l'attrezzatura. Mantenere le attrezzature in un luogo che è possibile chiudere.
- Pulire il prodotto ed eseguire una manutenzione completa prima di conservarlo per lunghi periodi.
- Utilizzare la protezione di trasporto sul prodotto per evitare che si danneggi durante il trasporto e il rimessaggio.
- Bloccare il prodotto in modo sicuro durante il trasporto.

Smaltimento della batteria, del caricabatterie e del prodotto

Il simbolo seguente indica che il prodotto non è un rifiuto domestico. Riciclarlo in una stazione di riciclaggio per apparecchiature elettriche ed elettroniche. Ciò contribuisce a evitare danni all'ambiente e alle persone.

Per maggiori informazioni contattare le autorità locali, il servizio per rifiuti domestici o il rivenditore.



Nota: Il simbolo compare sul prodotto o sull'imballaggio.

Dati tecnici

Dati tecnici

	120iBV
Motore	
Tipo di motore	BLDC (senza spazzole) 36V
Peso	
Peso senza batteria, kg	4,6
Emissioni di rumore ¹⁶	
Livello di potenza acustica, misurato dB(A)	97
Livello acustico, garantito L_{WA} dB(A)	100
Livelli di rumorosità ¹⁷	
Livello di pressione acustica equivalente rispetto all'udito dell'operatore, misurato in base alle norme EN/ISO 11203 e ISO 22868, dB(A):	84
Livelli di vibrazioni ¹⁸	
Livelli di vibrazioni delle impugnature anteriori/posteriori, misurati in base alla norma ISO 22867, m/s^2	1,4/1,7
Prestazioni della ventola	
Flusso d'aria con beccuccio standard in modalità normale, m^3/min	6,7
Velocità massima dell'aria in modalità normale con ugello standard, m/s / mph	50/111

I dati sul rumore e le vibrazioni sono determinati sulla base del regime di potenza massima.

Batterie approvate

Per questo prodotto, utilizzare esclusivamente batterie originali Husqvarna 40-B

Batterie approvate

Batteria	40-B140
Tipo	Ioni di litio
Capacità batteria, Ah	4
Tensione nominale, V	36

¹⁶ Emissioni di rumore nell'ambiente misurate come potenza sonora (L_{WA}) in base alla direttiva CE 2000/14/CE. Il livello di potenza acustica riportato per il macchinario è stato misurato con il gruppo di taglio originale che emette il livello massimo. La differenza tra potenza acustica misurata e garantita è che la potenza acustica garantita comprende anche la dispersione nel risultato di misurazione e le variazioni tra le diverse macchine dello stesso modello come da Direttiva 2000/14/CE.

¹⁷ I dati riportati per il livello di pressione acustica equivalente del macchinario hanno una dispersione statistica tipica (deviazione standard) di 3 dB (A).

¹⁸ I dati riportati per il livello di vibrazioni presentano una dispersione statistica tipica (deviazione standard) di 1,5 m/s^2 .

Batteria	40-B140
Peso, kg	1,25

Caricabatterie omologati

Caricabatterie	40-C80
Tensione di rete, V	100-240
Frequenza, Hz	50-60
Potenza, W	72
Tensione di uscita, V c.c. / amp, A	43/1,6

KEES VAN DER SPEK
 TUIN EN PARKMACHINES ★ TER AAR

Dichiarazione di conformità

Dichiarazione di conformità UE

Husqvarna AB, SE-561 82 Huskvarna, SVEZIA, tel:
+46-36-146500, dichiara sotto la propria esclusiva
responsabilità che il prodotto indicato:

Descrizione	Soffiatore/Aspiratore portatile da giardino
Marchio	Husqvarna
Tipo / Modello	120iBV
Identificazione	Numeri di serie a partire dal 2022

È pienamente conforme alle seguenti norme e direttive
UE:

Regolamento	Descrizione
2006/42/CE	"sulle macchine"
2014/30/UE	"sulla compatibilità elettromagnetica"
2011/65/UE	"sulle restrizioni dell'uso di determinate sostanze pericolose nelle apparecchiature elettriche ed elettroniche"
2000/14/CE	"sull'emissione di rumore nell'ambiente"

e che sono applicati gli standard
e/o le specifiche tecniche seguenti:
EN 60335-1:2012+A11+A13+A1+A14+A2+A15, EN
50636-2-100:2014, EN IEC 63000:2018, EN ISO
12100:2010, EN IEC 55014-1:2021; EN IEC
55014-2:2021

Per informazioni sulle emissioni acustiche, fare
riferimento a *Dati tecnici alla pagina 108*.

Huskvarna, 2023-01-16



Claes Losdal, Responsabile ricerca e sviluppo,
Husqvarna AB

Responsabile della documentazione tecnica



KEES VAN DER SPEK
TUIN EN PARKMACHINES ★ TER AAR



FR

Cet appareil,
ses cordons,
et batterie
se recyclent

À DÉPOSER
EN MAGASIN

OU

À DÉPOSER
EN DÉCHÈTERIE

Points de collecte sur www.quefairedemesdechets.fr
Privilégiez la réparation ou le don de votre appareil !

Husqvarna®

www.husqvarna.com

KEES VAN DER SPEK
TUIN EN PARKMACHINES * TER AAR

Original instructions
Originalanweisungen
Instructions d'origine

Originale instructies
Izvirna navodila
Istruzioni originali



FR



1143495-20

Rev. A



2023-02-02