

DS 5300 T Brushcutter



Documenten

Engine

Ignition system

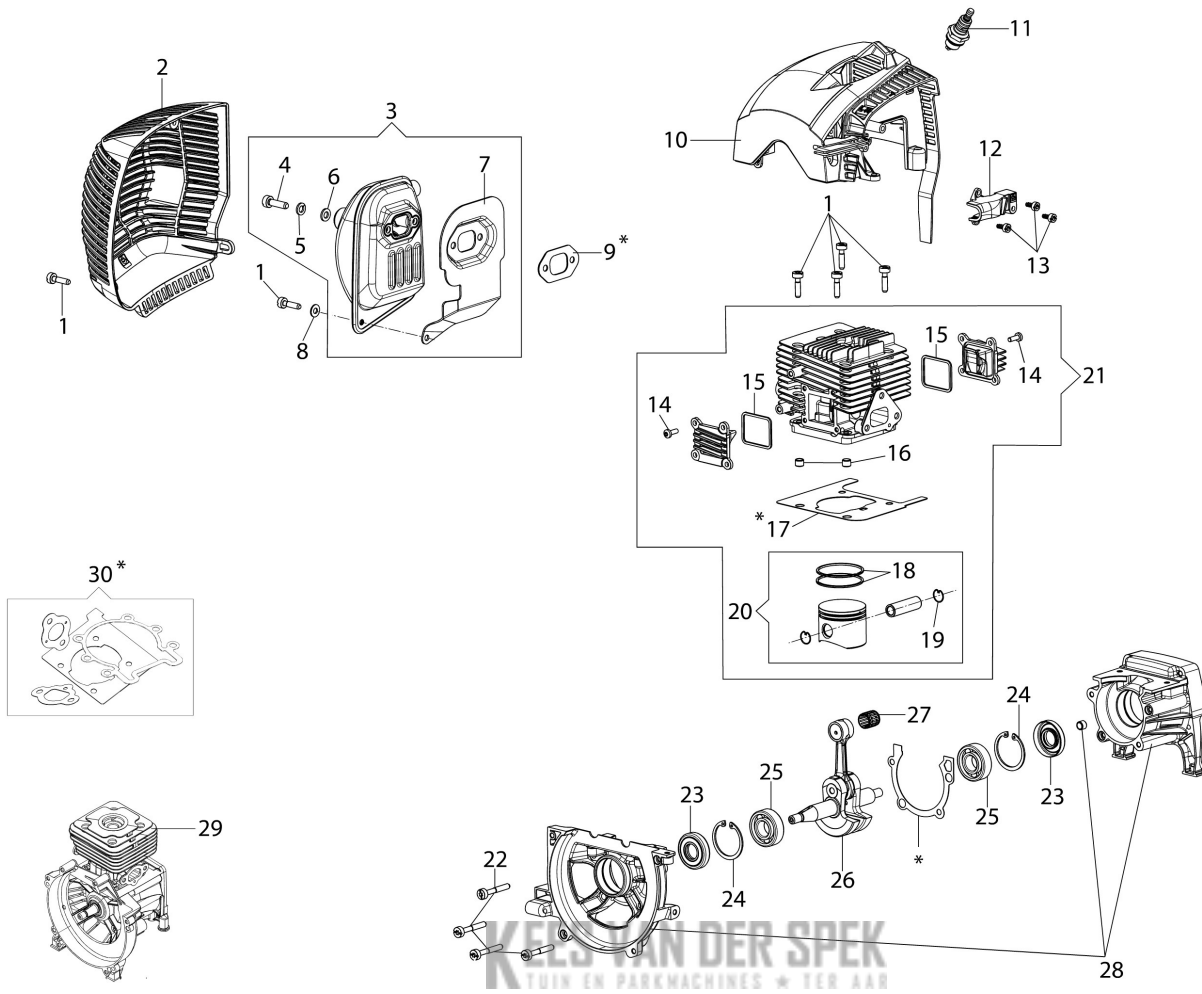
Tank and air filter

Transmission

Accessories

Carburetor WT-1199

KEES VAN DER SPEK
TUIN EN PARKMACHINES * TER AAR

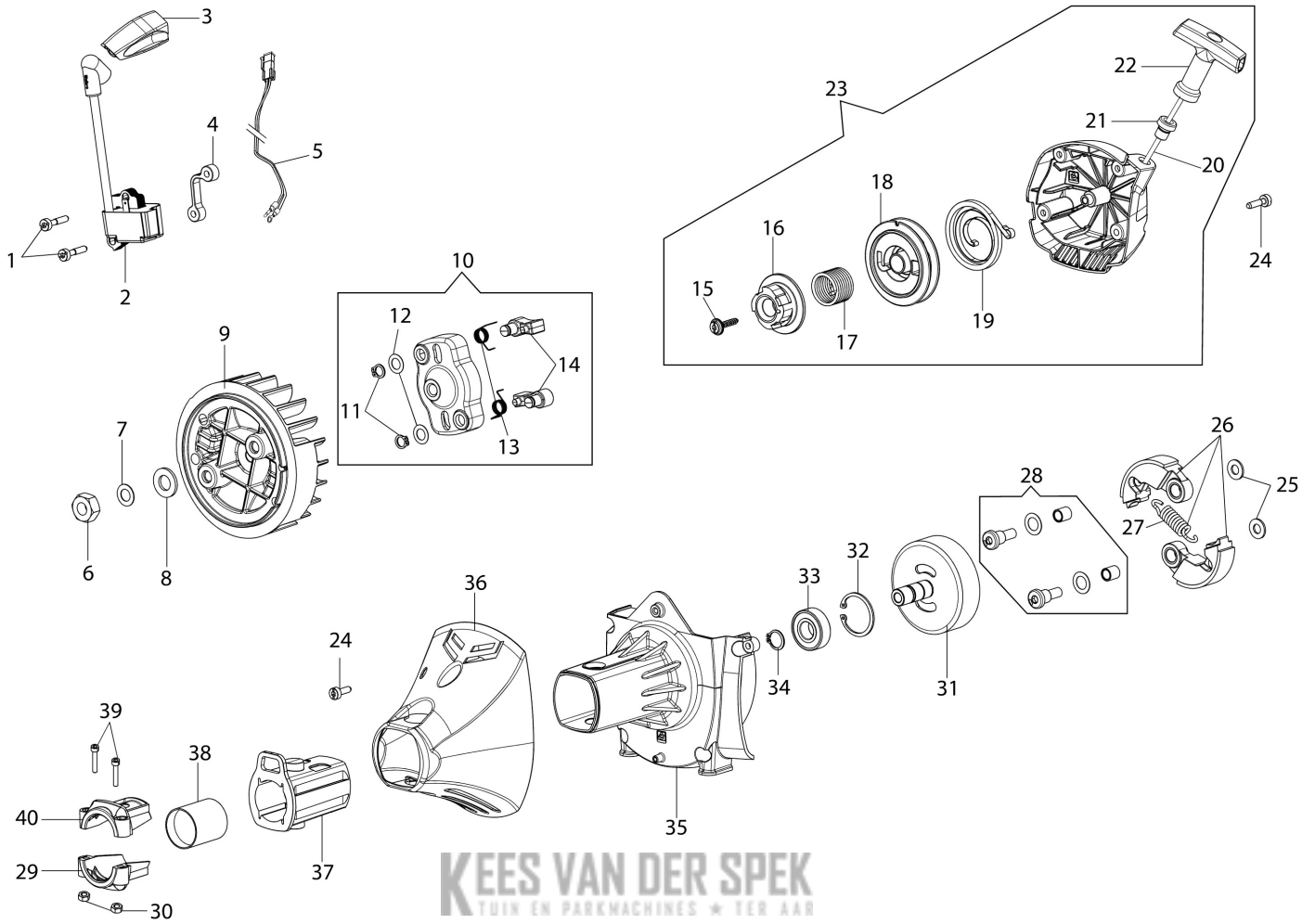


Illustratie Engine

Ref.Nu	Qty	Part number	Description	Validity from	Validity till	Notes	Bulletin
1	7	3891048R	Screw				
2	1	61400033AR	Muffler cover				
3	1	61402053AR	Muffler assy				
4	2	3891086R	Screw				
5	2	3819010R	Washer				
6	2	3916006R	Washer				
7	1	61400038BR	Deflector				
8	1	3819006R	Washer				
9	1	61400097AR	Gasket				
10	1	61400140R	Cylinder cover				
11	1	3055118	Spark plug				
12	1	61400071AR	Cover				
13	3	3893016AR	Screw				
14	8	3991009R	Screw				
15	1	61400005R	Gasket				
16	6	4138242R	Bushing				
17	1	61400016R	Gasket				
18	2	50080013R	Piston ring Ø45				
19	1	006000012R	Piston pin				
20	1	61400182	Piston assy				
21	1	61400181	Complete cylinder Ø45				
22	4	3891054R	Screw				
23	2	3050001R	Seal ring				
24	2	3025022R	Ring				
25	2	3034012R	Bearing				
26	1	61400039R	Crankshaft				
27	1	026400017R	Bearing				
28	1	61400010AR	Crankcase assy				
29	1	61400194R	Short block				
30	1	61400183	Gasket set				

KEES VAN DER SPEK
TUIN EN PARKMACHINES * TER AAR

Illustratie Ignition system



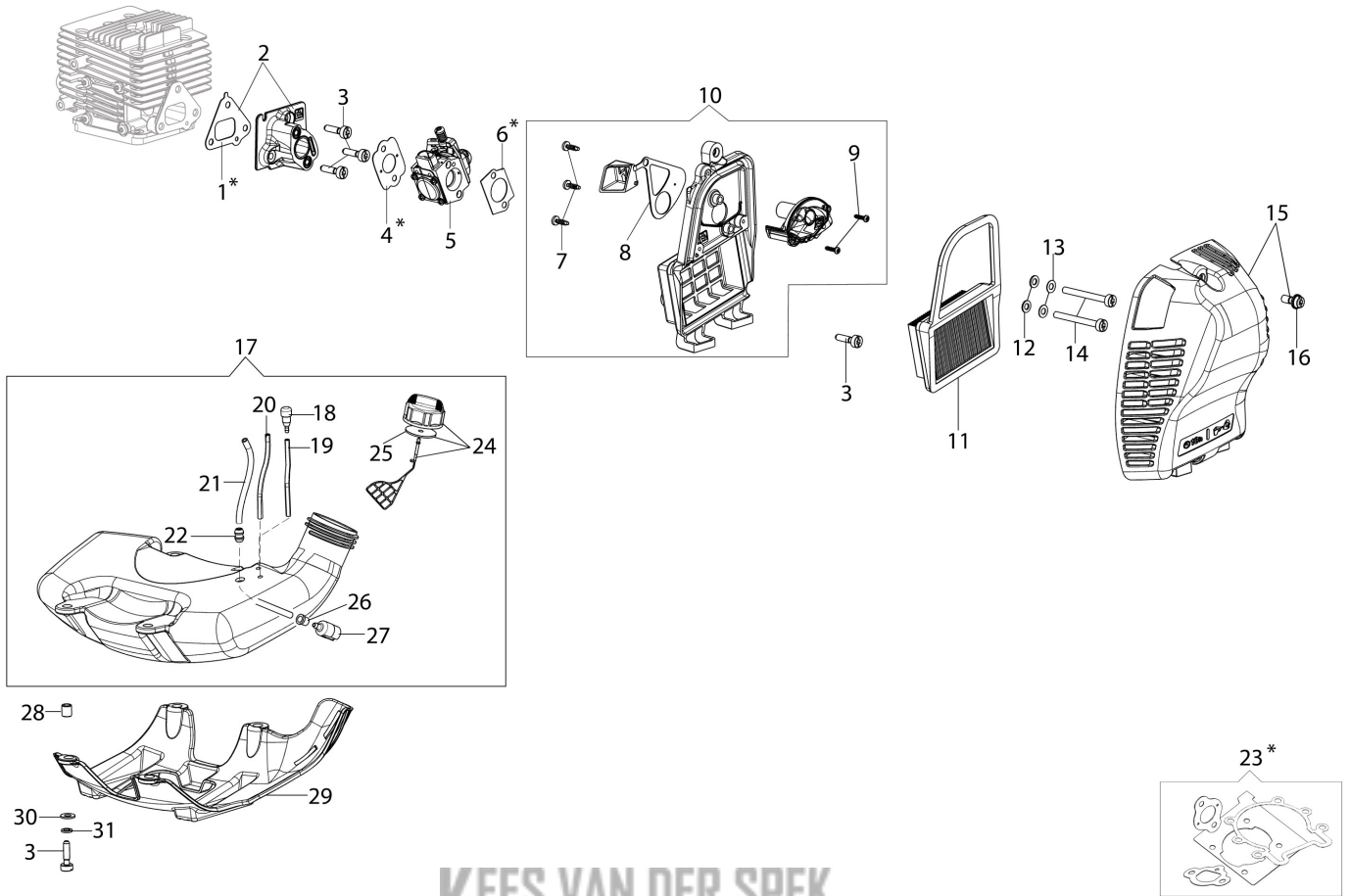
KEES VAN DER SPEK
TUIN EN PARKMACHINES * TER AAR

Illustratie Ignition system

Ref.Nu	Qty	Part number	Description	Validity from	Validity till	Notes	Bulletin
1	2	3891053R	Screw				
2	1	2501007R	Ignition coil				
3	1	61400070R	Spark plug cap				
4	1	61400040R	Spacer				
5	1	61250282AR	Cable				
6	1	004000142R	Nut				
7	1	3833080R	Washer				
8	1	3916009R	Washer				
9	1	61400087R	Flywheel				
10	1	61402007R	Clutch driver				
11	2	3024007R	Ring				
12	2	3064010R	Washer				
13	2	61400024R	Spring				
14	2	61400023R	Pawl				
15	1	3893063R	Screw				
16	1	61400022R	Sprocket				
17	1	61400021R	Spring				
18	1	61400020R	Starter pulley				
19	1	004000132R	Spring				
20	1	4098073R	Starter rope				
21	1	072700089R	Bushing				
22	1	61200015R	Starter handle				
23	1	61402023R	Starter assy				
24	4	3891048R	Screw				
25	2	3818011AR	Washer				
26	1	61380123	Clutch				
27	1	4191028R	Spring				
28	1	61420020	Fitment system				
29	1	61040017R	Adaptor				
30	2	3914003R	Nut				
31	1	61250105R	Clutch drum				
32	1	3025022R	Ring				
33	1	3035042R	Bearing				
34	1	3024015R	Ring				
35	1	61400055AR	Starter case				
36	1	61400094AR	Guard				
37	1	61040010R	Sleeve				
38	1	61400135R	Bushing				
39	2	3801016R	Screw				
40	1	61040017R	Adaptor				

KEES VAN DER SPEK
TUIN EN PARKMACHINES * TER AAR

Illustratie Tank and air filter

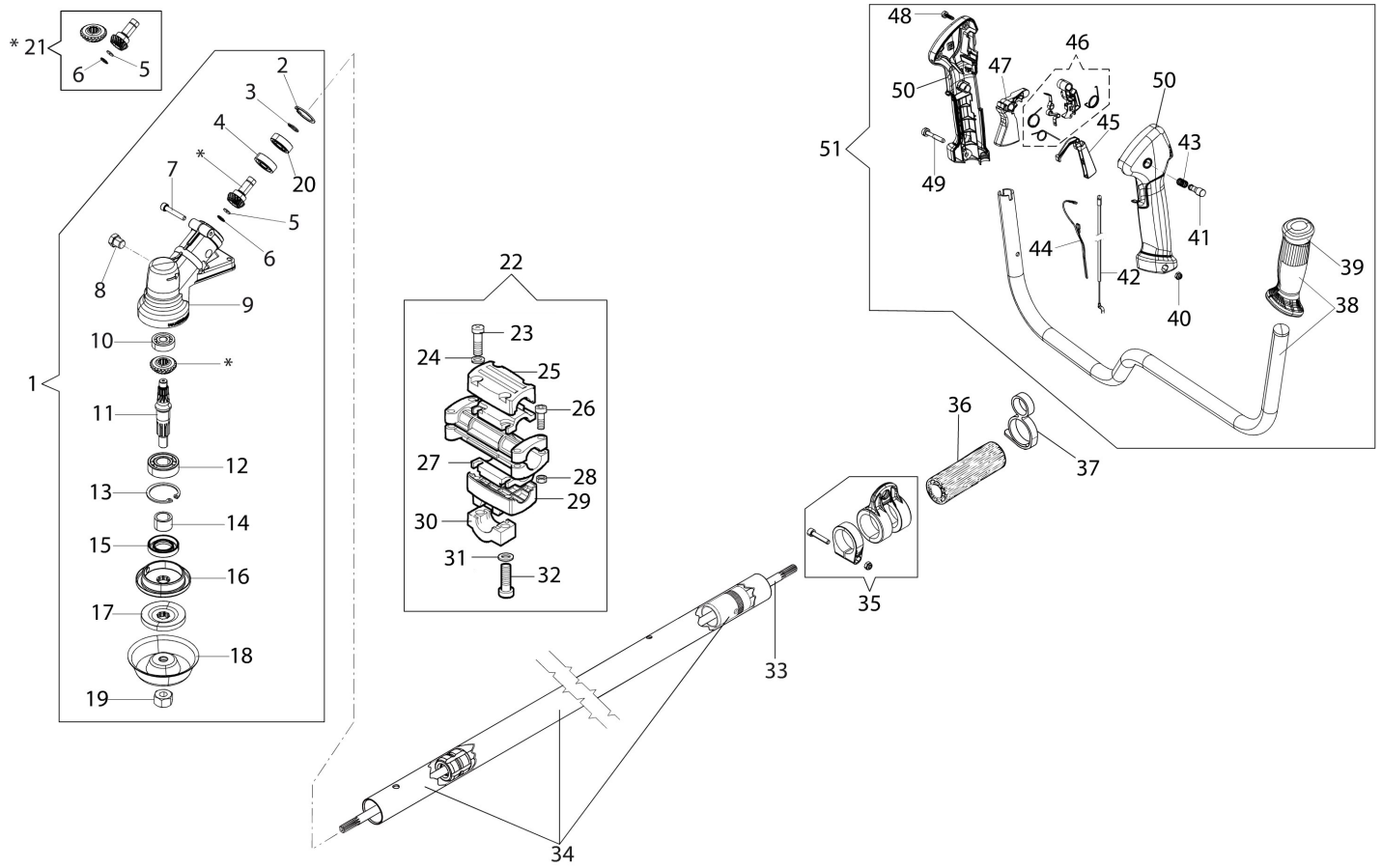


KEES VAN DER SPEK
TUIN EN PARKMACHINES * TER AAR

Illustratie Tank and air filter

Ref.Nu	Qty	Part number	Description	Validity from	Validity till	Notes	Bulletin
1	1	61400007R	Gasket				
2	1	61400191	Insulator				
3	8	3891048R	Screw				
4	1	61400027R	Gasket				
5	1	2318662R	Carburetor				
6	1	61400056AR	Gasket				
7	3	3960087AR	Screw				
8	1	61400123BR	Starter lever				
9	2	3960145R	Screw				
10	1	61400203R	Air filter support set				
11	1	61400075R	Air filter				
12	2	3916005R	Washer				
13	2	3833073R	Washer				
14	2	3891063R	Screw				
15	1	61400184	Air filter cover				
16	1	61330040AR	Screw				
17	1	61402035R	Complete tank				
18	1	61070011AR	Breather valve				
19	1	61380075R	Breather fuel pipe				
20	1	61380112R	Tube				
21	1	4159008	Tube				
22	1	4161211R	Bush				
23	1	61400183	Gasket set				
24	1	61070079AR	Tank cap				
25	1	61070006R	Gasket				
26	1	61110162BR	Bushing				
27	1	50010218R	Fuel filter				
28	1	61070015R	Spacer				
29	1	61400077R	Support				
30	4	3918010R	Washer				
31	4	3819006R	Washer				

KEES VAN DER SPEK
TUIN EN PARKMACHINES * TER AAR



KEES VAN DER SPEK
 TUIN EN PARKMACHINES * TER AAR

Illustratie Transmission

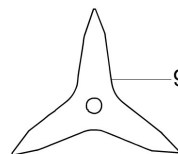
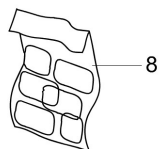
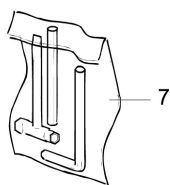
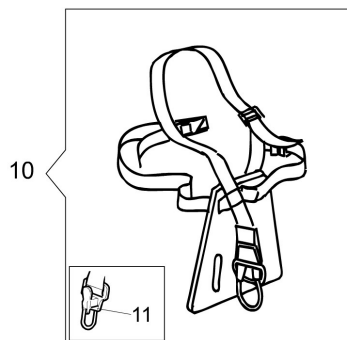
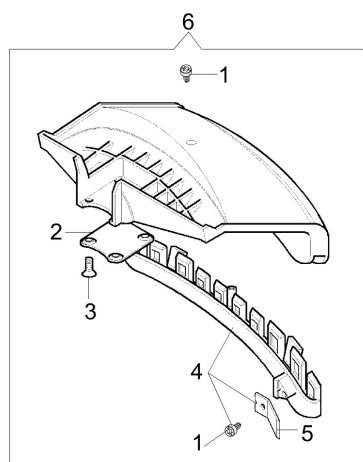
Ref.Nu	Qty	Part number	Description	Validity from	Validity till	Notes	Bulletin
1	1	61112072BR	Kegelradantrieb Ø32				
2	1	3024012R	Snap ring				
3	1	3024012R	Snap ring				
4	1	3034019R	Bearing				
5	1	4138311A	Ring				
6	1	3025009	Ring				
7	1	3801016R	Screw				
8	1	61040071R	Cap				
9	1	61110063AR	Gear case				
10	1	3034218R	Bearing				
11	1	61110072R	Shaft				
12	1	3034012R	Bearing				
13	1	3025022R	Ring				
14	1	4138668	Spacer				
15	1	3050023R	Seal ring				
16	1	4191247R	Hub				
17	1	4179088R	Flange				
18	1	61110074R	Guard				
19	1	61110075R	Nut				
20	1	3035023R	Bearing				
21	1	61112058	Bevel gear set				
22	1	61112166R	Complete clamp				
23	4	3801017R	Screw				
24	4	3819006R	Washer				
25	1	61110249R	Cover				
26	4	3801015R	Screw				
27	2	4098800BR	Insert				
28	4	3914003R	Nut				
29	1	61110250R	Hub				
30	1	61110251R	Clamp				
31	2	3819010R	Washer				
32	2	3801026R	Screw				
33	1	4098116R	Drive shaft				
34	1	61400187R	Tube Ø32				
35	1	4174108R	Band				
36	1	4095033AR	Knob				
37	1	61170132R	Grommet				
38	1	61110205R	Handle and knob				
39	1	61040140R	Knob				
40	1	3914003R	Nut				
41	1	56550185R	Button				
42	1	61400092R	Throttle cable				
43	1	4100098BR	Spring				
44	1	61400098R	Cable				
45	1	61370114R	Lever				
46	1	61370294	Lever group				

KEES VAN DER SPEK
TUIN EN PARKMACHINES * TER AAR

Illustratie Transmission

Ref.Nu	Qty	Part number	Description	Validity from	Validity till	Notes	Bulletin
47	1	61380064R	Throttle lever				
48	5	3893016AR	Screw				
49	1	3891054R	Screw				
50	1	61380097	Pair of handles				
51	1	61400188	Handle kit				

KEES VAN DER SPEK
TUIN EN PARKMACHINES * TER AAR

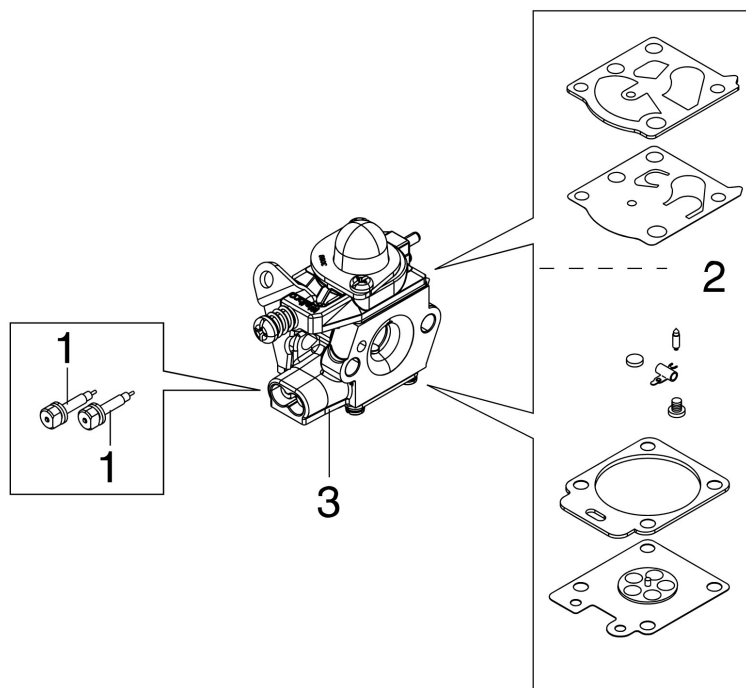


KEES VAN DER SPEK
TUIN EN PARKMACHINES * TER AAR

Illustratie Accessories

Ref.Nu	Qty	Part number	Description	Validity from	Validity till	Notes	Bulletin
1	2	3960040R	Screw				
2	1	4174278R	Plate				
3	4	3802004DR	Screw				
4	1	4174283AR	Skirt w/blade				
5	1	4174275R	Blade				
6	1	4192048CR	Disc guard				
7	1	4191240	Tool kit				
8	1	61400193	Labels kit				
9	1	4095665BR	3-tooth blade				
10	1	63070002AR	Harness				
11	1	63070039R	Hook				

KEES VAN DER SPEK
TUIN EN PARKMACHINES * TER AAR



KEES VAN DER SPEK
TUIN EN PARKMACHINES * TER AAR

Illustratie Carburetor WT-1199

Ref.Nu	Qty	Part number	Description	Validity from	Validity till	Notes	Bulletin
1	1	2318643R	Adjust. screw MAX				
2	1	2318671	Repair kit				
3	1	2318662R	Carburetor				

KEES VAN DER SPEK
TUIN EN PARKMACHINES * TER AAR