

STARK 2500 T (Euro 2) Brushcutter



Documenten

Engine

Starter assy and clutch

Tank and air filter

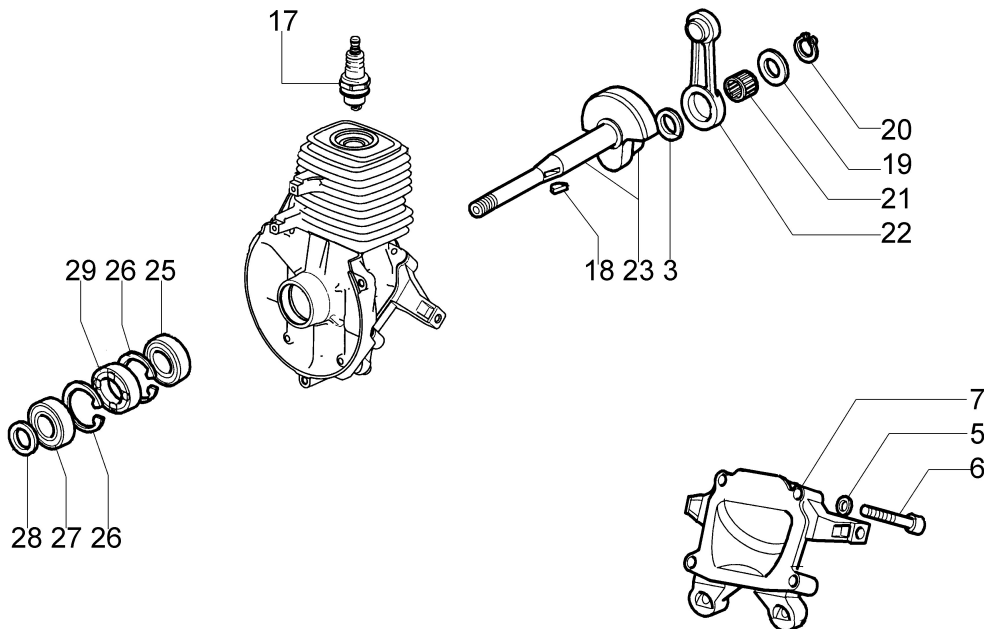
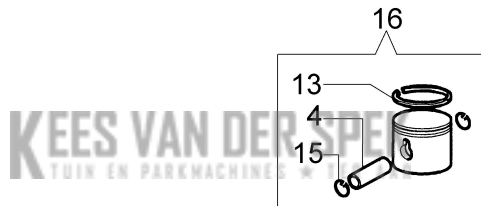
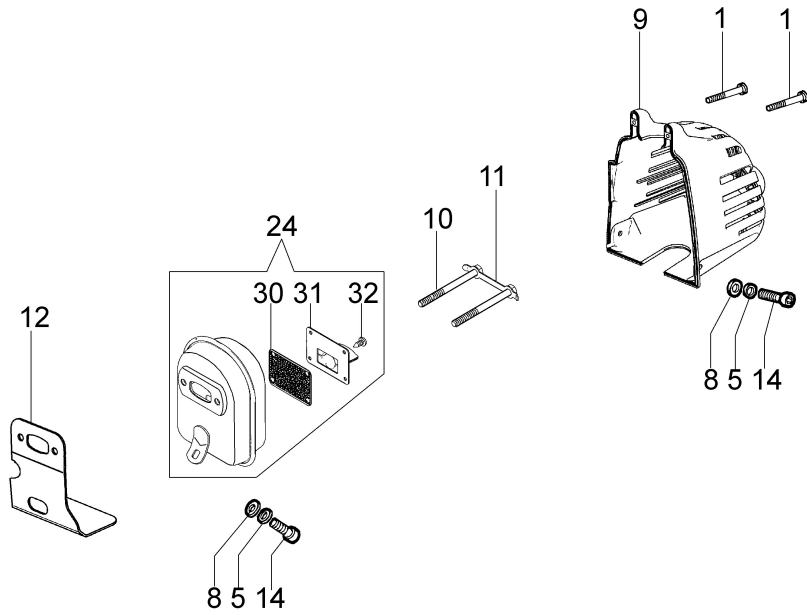
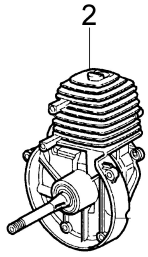
Transmission

Carburettor WYL-245

Accessories

Illustrated part list (Head "Load & Go" D.130)

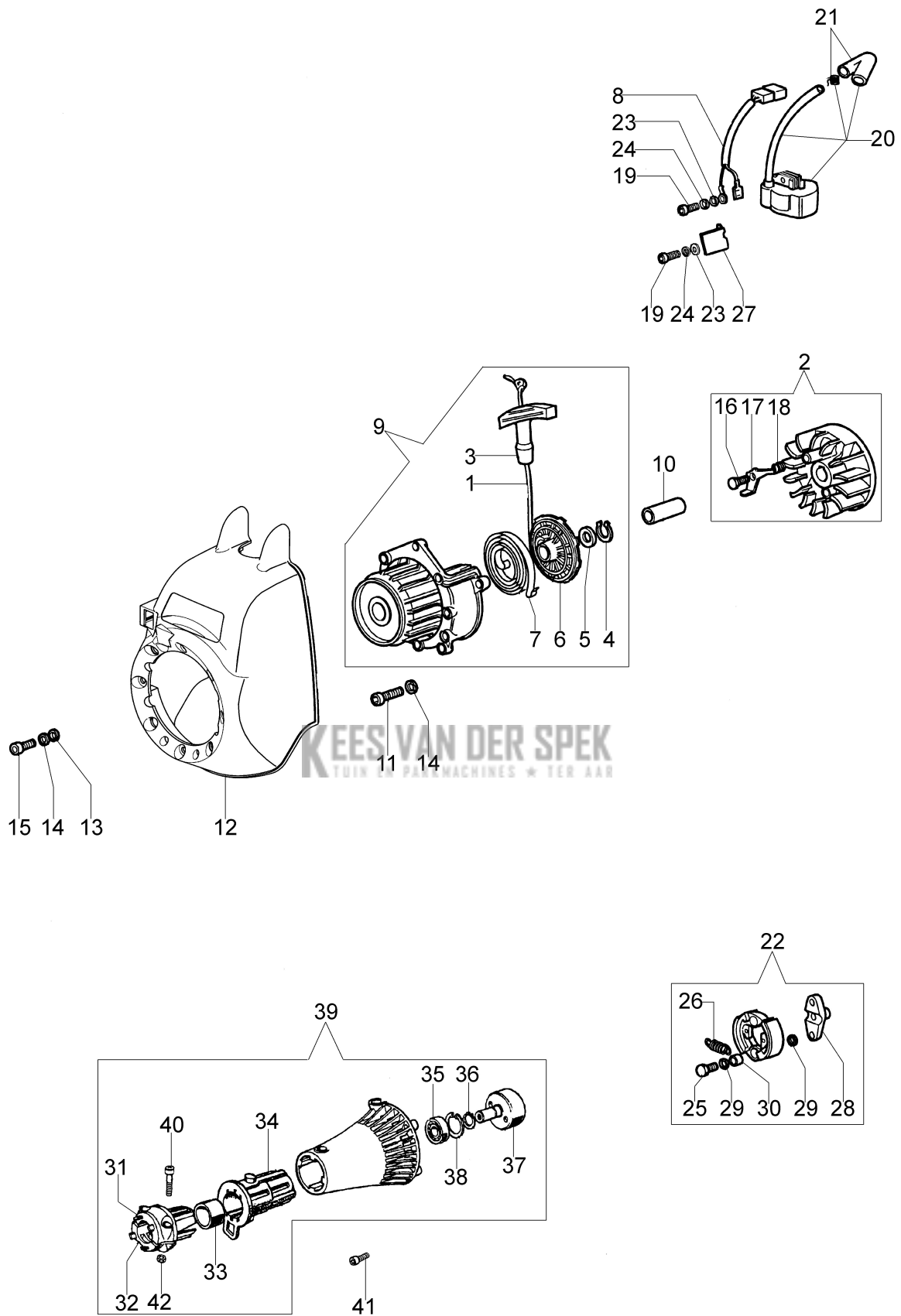
KEES VAN DER SPEK
TUIN EN PARKMACHINES * TER AAR



Illustratie Engine

Ref.Nu	Qty	Part number	Description	Validity from	Validity till	Notes	Bulletin
1	1	3960067AR	Screw				
2	1	61030049AR	Short block				
3	1	4098683R	Washer				
4	1	4160026R	Plug				
5	4	3819006R	Washer				
6	4	3801015R	Screw				
7	1	61010001R	Cover				
8	2	3916005R	Washer				
9	1	61030042R	Muffler cover				
10	2	3806028	Screw				
11	1	4095211R	Plate				
12	1	61030067AR	Gasket				
13	1	072700048R	Piston ring Ø34				
14	2	3801010R	Screw				
15	2	4160025R	Ring				
16	1	4161030CR	Piston assy Ø34				
17	1	3055118	Spark plug				
18	1	4098232R	Key				
19	1	3064005AR	Washer				
20	1	3024010R	Snap ring				
21	1	3037026R	Thrust bearing				
22	1	4161599R	Connecting rod				
23	1	61030174R	Crankshaft				
24	1	61032083	Complete muffler				
25	1	3034003R	Bearing				
26	2	3025019	Ring				
27	1	3035023R	Bearing				
28	1	4160124R	Washer				
29	1	3050030R	Seal ring				
30	1	61030046R	Screen				
31	1	61030105R	Deflector				
32	2	012000028	Screw				

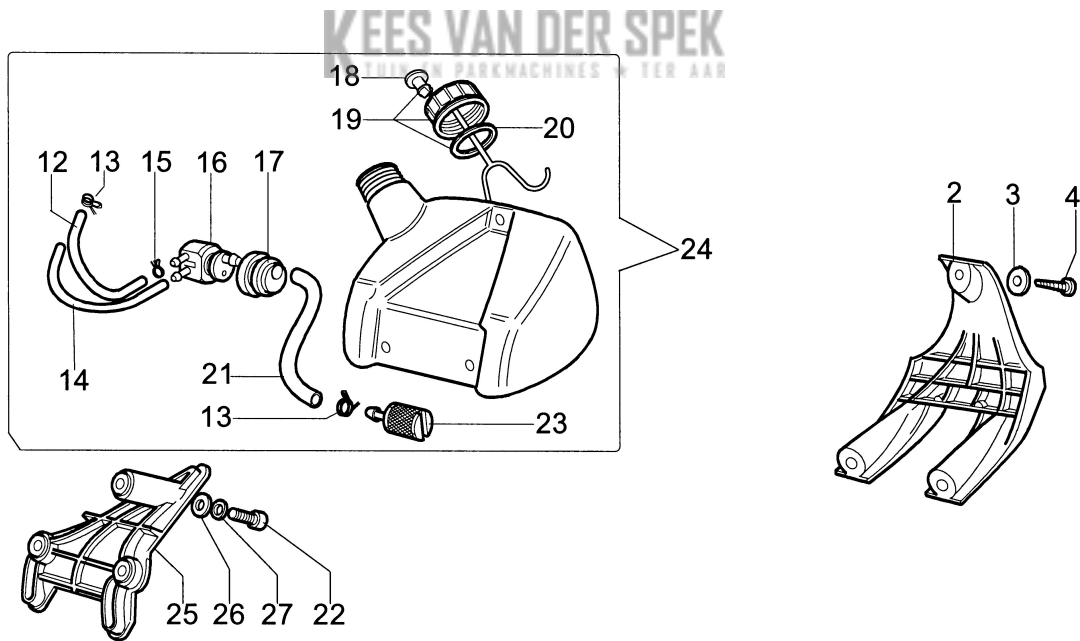
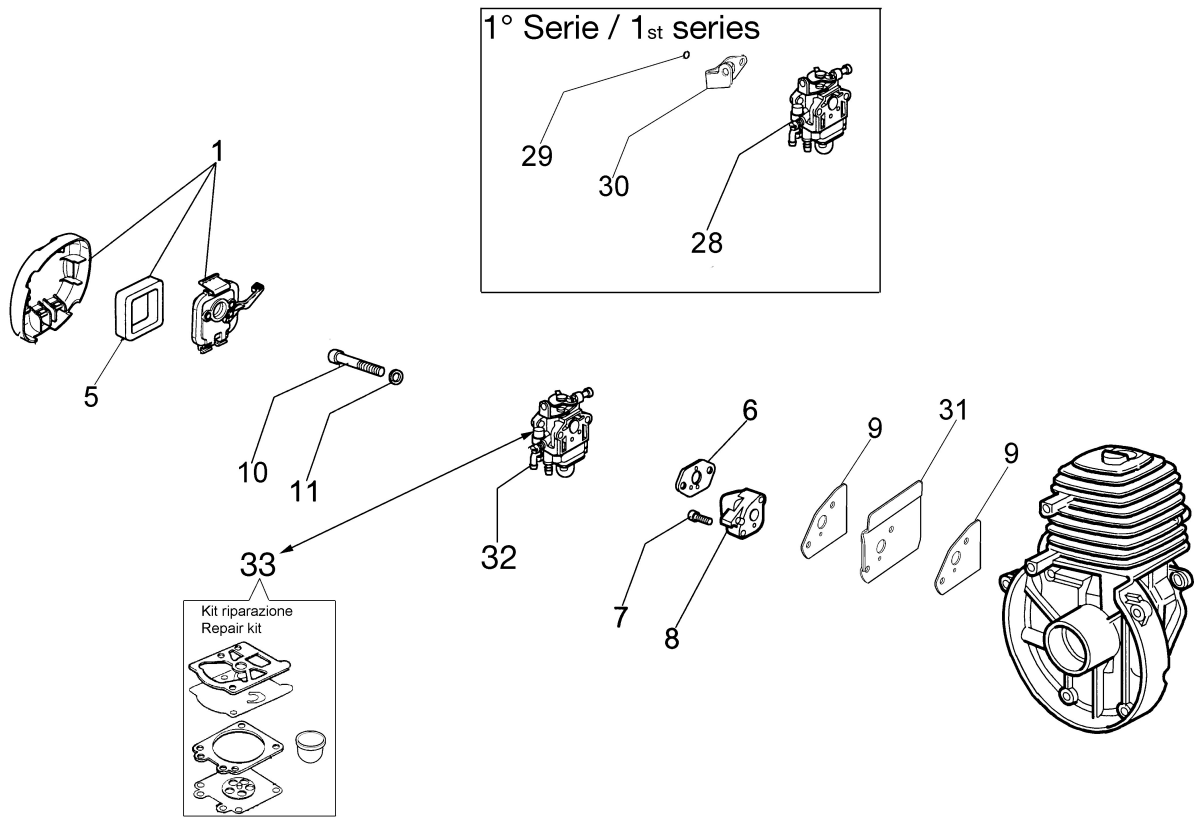
KEES VAN DER SPEK
TUIN EN PARKMACHINES * TER AAR



Illustratie Starter assy and clutch

Ref.Nu	Qty	Part number	Description	Validity from	Validity till	Notes	Bulletin
1	1	4160125R	Starter rope				
2	1	4161264BR	Flywheel				
3	1	4191020A	Starter handle				
4	1	3024018R	Ring				
5	1	4161150R	Ring				
6	1	4161148AR	Pulley				
7	1	004000132R	Spring				
8	1	4162358	Cable				
9	1	4161160AR	Starter assy				
10	1	4160072R	Spacer				
11	4	3801011R	Screw				
12	1	61030043R	Starter case				
13	4	3916005R	Washer				
14	4	3819006R	Washer				
15	4	3801009	Screw				
16	2	4161151	Pin				
17	2	4138441R	Pawl				
18	2	4161186A	Spring				
19	2	3801003	Screw				
20	1	4138722R	Ignition coil				
21	1	4098064R	Spark plug cap				
22	1	61030177R	Clutch				
23	2	3916004R	Washer				
24	2	3819005R	Washer				
25	2	3806035R	Screw				
26	1	61030190R	Spring				
27	1	4160146AR	Deflector				
28	1	61030189R	Clutch driver				
29	2	3918007R	Washer				
30	1	61030191R	Bushing				
31	1	61010021	Adaptor				
32	1	61010020	Adaptor				
33	1	4161364	Bushing				
34	1	4161428R	Sleeve				
35	1	3035023R	Bearing				
36	1	3024012R	Snap ring				
37	1	4161343R	Clutch drum				
38	1	3025019	Ring				
39	1	61032029R	Clutch cover				
40	2	3801016R	Screw				
41	4	4175074R	Screw				
42	2	3914003R	Nut				

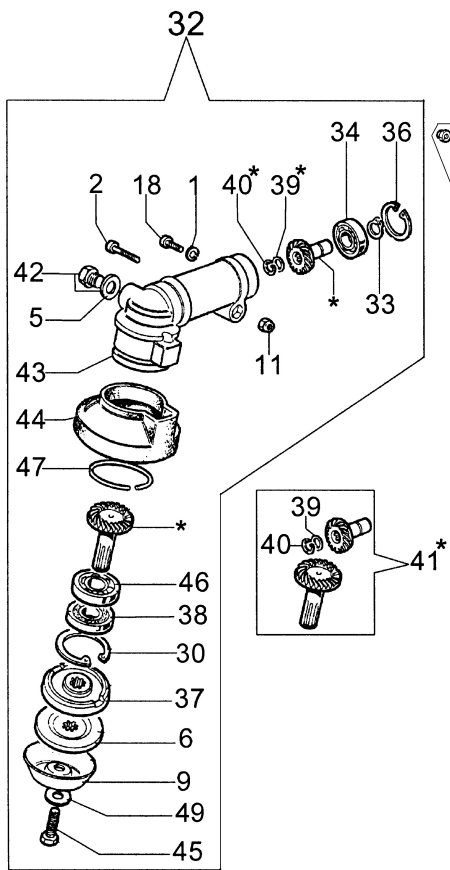
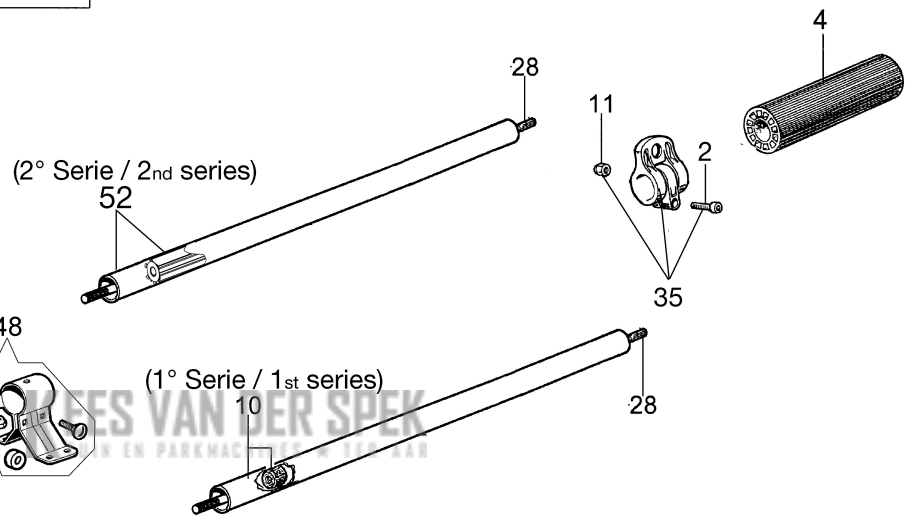
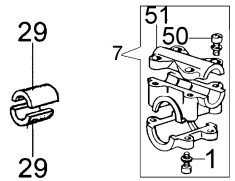
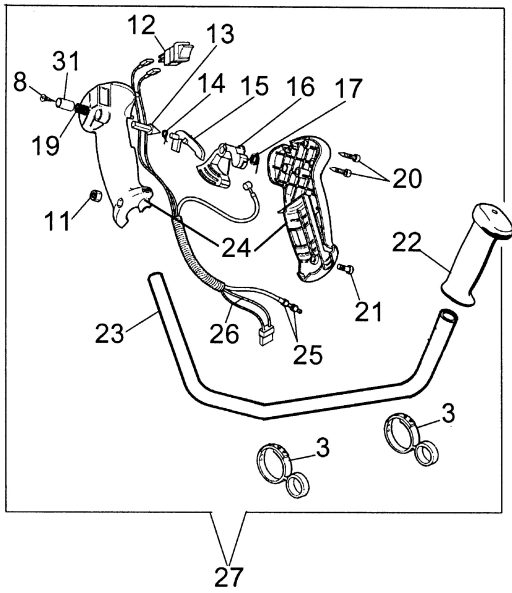




Illustratie Tank and air filter

Ref.Nu	Qty	Part number	Description	Validity from	Validity till	Notes	Bulletin
1	1	61162017A	Air filter kit				
2	1	61010004	Stand				
3	3	3918010R	Washer				
4	3	3960057R	Screw				
5	1	61160014AR	Air filter				
6	1	4161438	Gasket				
7	2	3801051R	Screw				
8	1	4162256BR	Insulator				
9	2	61030112BR	Gasket				
10	2	3801012	Screw				
11	2	3833073R	Washer				
12	1	4162297R	Tube				
13	1	4098377R	Band				
14	1	4162316R	Tube				
15	1	3059002	Band				
16	1	4162270AR	Fittings				
17	1	4162268R	Bushing				
18	1	4098658AR	Breather valve				
19	1	4151258R	Complete cap				
20	1	4100308AR	Gasket				
21	1	4162296	Tube				
22	3	3801010R	Screw				
23	1	094600450R	Fuel filter				
24	1	61032026R	Complete tank				
25	1	61010002	Support				
26	3	3918005R	Washer				
27	3	3819006R	Washer				
28	1	2318393R	Carburetor		SN 9063031146		BT3-120-07/13
29	1	3049040R	O-ring		SN 9063031146		BT3-120-07/13
30	1	61150025R	Bracket		SN 9063031146		BT3-120-07/13
31	1	61030113R	Gasket				
32	1	2318393R	Carburetor	SN 9063031147			BT3-120-07/13
33	1	2318395R	Gasket set	SN 9063031147			BT3-120-07/13





Illustratie Transmission

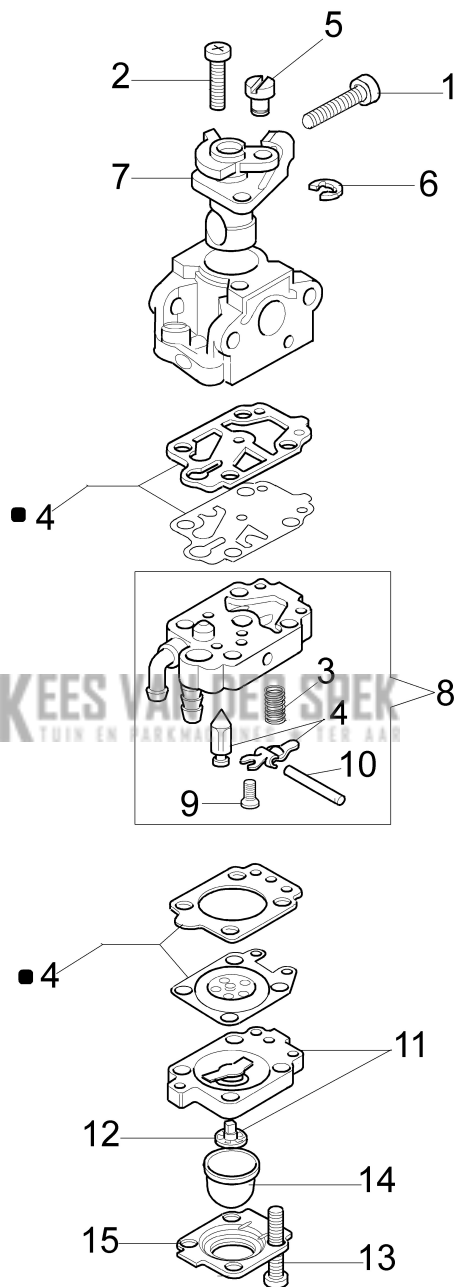
Ref.Nu	Qty	Part number	Description	Validity from	Validity till	Notes	Bulletin
1	2	3819006R	Washer				
2	1	3801015R	Screw				
3	1	61170132R	Grommet				
4	1	4160262B	Knob				
5	1	4179141R	Washer				
6	1	4160005R	Flange				
7	1	074000183AR	Clamp	06/2011			BT3-106-04/11
8	1	3960021	Screw				
9	1	4100456R	Guard				
10	1	4160011R	Tube Ø26	SN 9066423648	SN 9063019275		BT3-120-07/13, BT3-133-03/17
11	3	3914003R	Nut				
12	1	2317021R	Switch				
13	1	4138358R	Button				
14	1	4138360R	Spring				
15	1	4174246AR	Lever				
16	1	4174245CR	Throttle lever				
17	1	4138361R	Spring				
18	1	3801008R	Screw				
19	1	4100098BR	Spring				
20	2	3960029	Screw				
21	2	3801016R	Screw				
22	1	4095032A	Knob				
23	1	4174187DR	Handlebar				
24	1	61040131R	Handle				
25	1	4161439AR	Throttle cable				
26	1	4161440AR	Cable				
27	1	4161477AR	Handlebar				
28	1	62030042R	Drive shaft				
29	2	072700082R	AV-mount				
30	1	3025021R	Ring				
31	1	4138359R	Button				
32	1	4160012AR	Kegelradantrieb Ø26				
33	1	3024010R	Snap ring				
34	1	3035005R	Bearing				
35	1	4161619R	Band				
36	1	3025018R	Ring				
37	1	4160004BR	Flange				
38	1	3035012R	Bearing				
39	1	4138311A	Ring				
40	1	3025009	Ring				
41	1	4160139	Bevel gear set				
42	1	4138428	Cap				
43	1	4160338R	Gear case				
44	1	4162177AR	Guard				
45	1	3806069R	Screw				
46	1	094000006R	Bearing				

KEES VAN DER SPEK
TUIN EN PARKMACHINES * TER AAR

Illustratie Transmission

Ref.Nu	Qty	Part number	Description	Validity from	Validity till	Notes	Bulletin
47	1	4162178	Spring				
48	1	4160236R	Band				
49	1	3916008R	Washer				
50	2	3801013R	Screw				
51	1	072700264CR	Clamp	06/2011			BT3-106-04/11
52	1	4160011R	Tube Ø26	SN 9063019276	SN 9066423647		BT3-120-07/13

KEES VAN DER SPEK
TUIN EN PARKMACHINES * TER AAR



■ 4 KIT RIPARAZIONE
REPAIR KIT

Illustratie Carburettor WYL-245

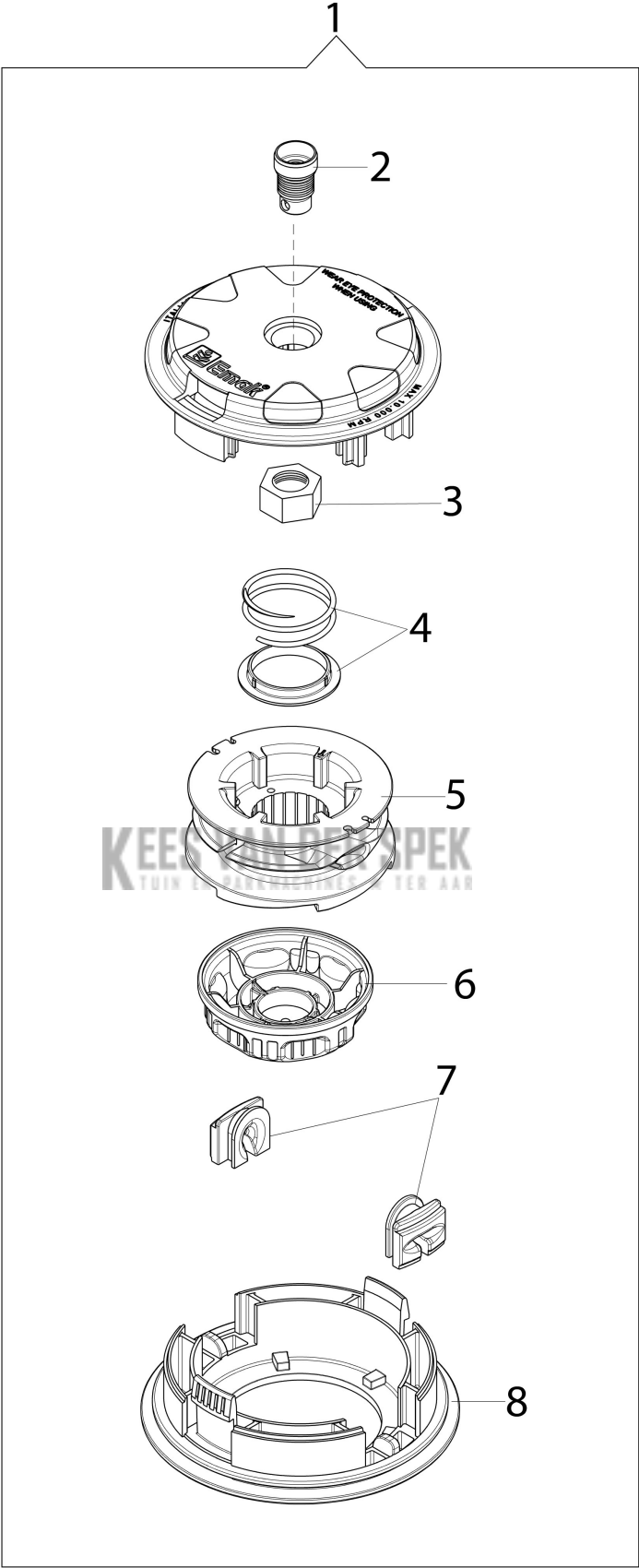
Ref.Nu	Qty	Part number	Description	Validity from	Validity till	Notes	Bulletin
1	1	2318583	Screw				
2	2	2318954	Screw				
3	1	2318568	Spring				
4	1	2318674	Repair kit				
5	1	2318577	Adjuster nut				
6	1	2318189	Ring				
7	1	2318958	Valve				
8	1	2318567	Pump body				
9	1	2318568	Spring				
10	1	003300201	Spindle				
11	1	2318570	Primer body				
12	1	2318592	Valve				
13	4	2318585	Screw				
14	1	2318572	Primer pump				
15	1	2318571	Cover				

KEES VAN DER SPEK
TUIN EN PARKMACHINES * TER AAR

Illustratie Accessories

Ref.Nu	Qty	Part number	Description	Validity from	Validity till	Notes	Bulletin
1		-	Not available for this product			Sostituita da testina completa codice 63019022 (inserto maschio), 63019020 (inserto femmina); Replaced by complet head p/n 63019022 (male insert), 63019020 (female insert)	
2	2	3960040R	Screw				
3	1	61240161R	Plate				
4	4	3801011R	Screw				
5	1	4179113AR	Skirt w/blade				
6	1	4174275R	Blade				
7	1	4179114CR	Disc guard				
8	1	4199005AR	Bushing				
9	1	4199008B	Insert (male)				
10	1	4199004	Spring				
11	1	4199041R	Nylon spool Ø2,4				
12	1	4199035BR	Cover				
13	1	4095673BR	3-tooth blade				
14	1	61052031R	Tool kit				
15	1	4160463AR	Single harness				
16	1	61032080	Labels kit				
17	4	3914003R	Nut				
18	4	3819006R	Washer				
19	1	61110076	Insert (female)				
20	1	4199052	Nylon spool				
21	1	4199026A	Cover				
22	1	4199046	Cover				
23		-	Not available for this product			Sostituita da testina completa codice 63019022 (inserto maschio), 63019020 (inserto femmina); Replaced by complet head p/n 63019022 (male insert), 63019020 (female insert)	
24	1	63019020	Compl. nylon head EF Ø2,4				
24	1	63019022	Compl. nylon head EF Ø2,4				

KEES VAN DER SPEK
TUIN EN PARKMACHINES * TER AAR



Illustratie Illustrated part list (Head "Load & Go" D.130)

Ref.Nu	Qty	Part number	Description	Validity from	Validity till	Notes	Bulletin
1	1	63129007	Load & Go nylon head			Filo D.2,4 mm; Nylon line D.2,4 mm	
2	1	63120041R	Insert				
3	1	63120040R	Nut				
4	1	63120031R	Kit spring				
5	1	63120020AR	Nylon spool				
6	1	63120007AR	Knob				
7	2	63120001R	Bushing				
8	1	63120005R	Cover				

KEES VAN DER SPEK
TUIN EN PARKMACHINES * TER AAR