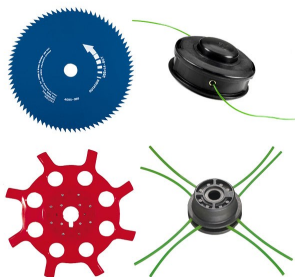
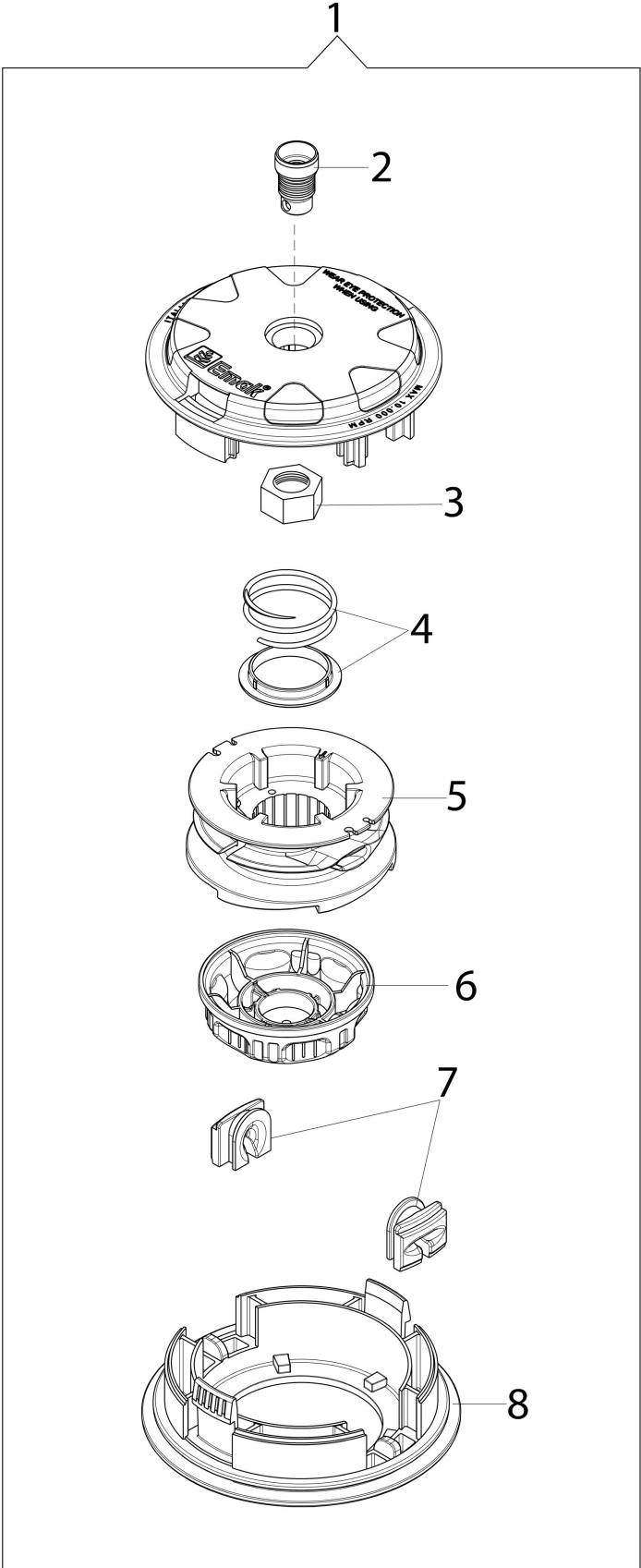


Cutting tools



Documenten

Illustrated part list (Head "Load & Go" D.130)



Illustratie Illustrated part list (Head "Load & Go" D.130)

Ref.Nu	Qty	Part number	Description	Validity from	Validity till	Notes	Bulletin
1	1	63129007	Load & Go nylon head			Easy&LongLife	
1	1	63129014	Head Load&Go			ExtraLife	
2	1	63120041R	Insert				
3	1	63120040R	Nut				
4	1	63120031R	Kit spring				
5	1	63120020AR	Nylon spool				
6	1	63120007AR	Knob			Easy&LongLife	
6	1	63120030AR	Knob			ExtraLife	
7	2	63120001R	Bushing				
8	1	63120005R	Cover				