

## MT 3710 (Euro 2) Chainsaw



### Documenten

Engine

---

Ignition system

---

Crankcase

---

Tank and handle

---

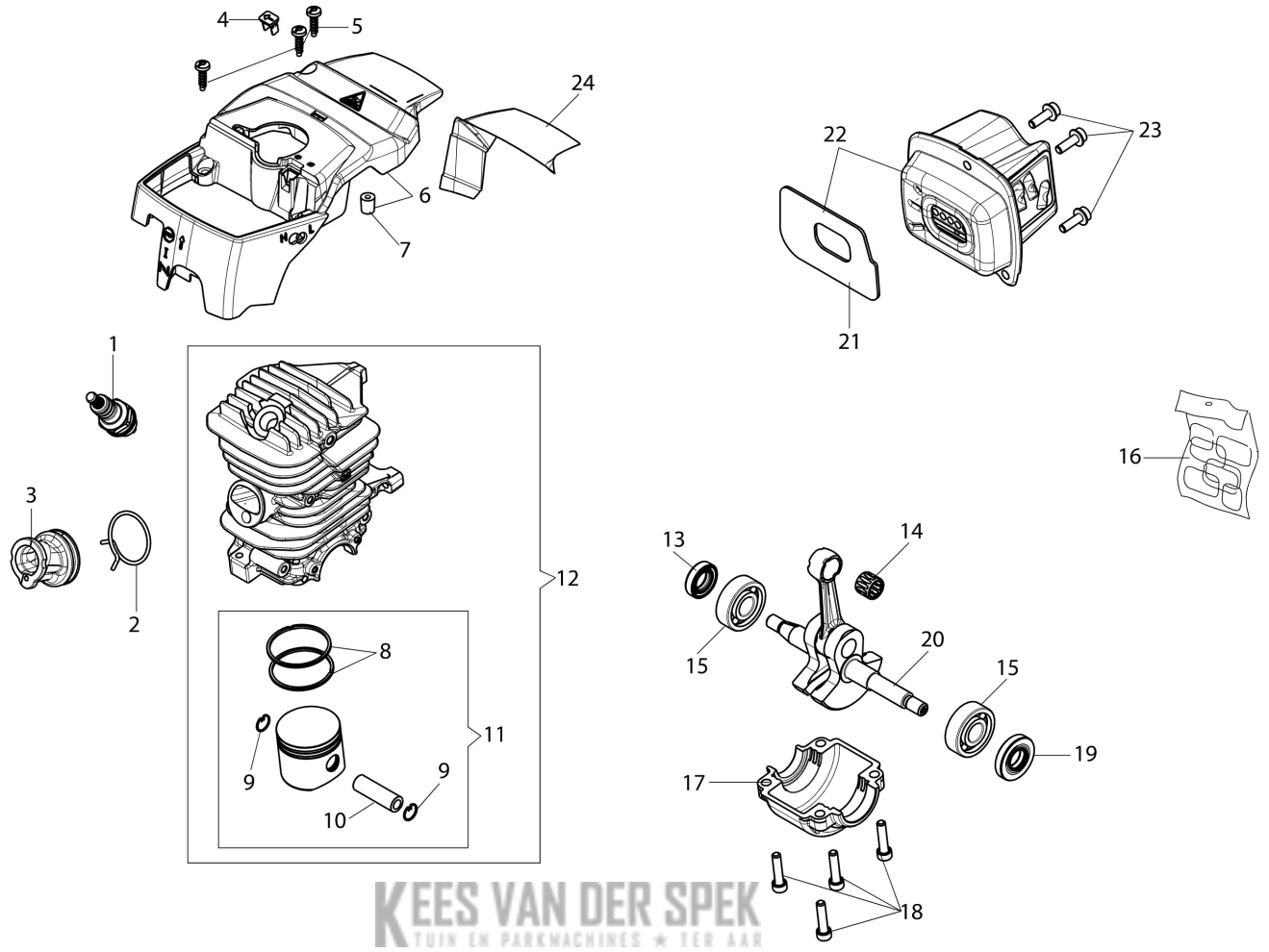
Clutch and brake

---

Carburetor WT-780G

---

**KEES VAN DER SPEK**  
TUIN EN PARKMACHINES \* TER AAR

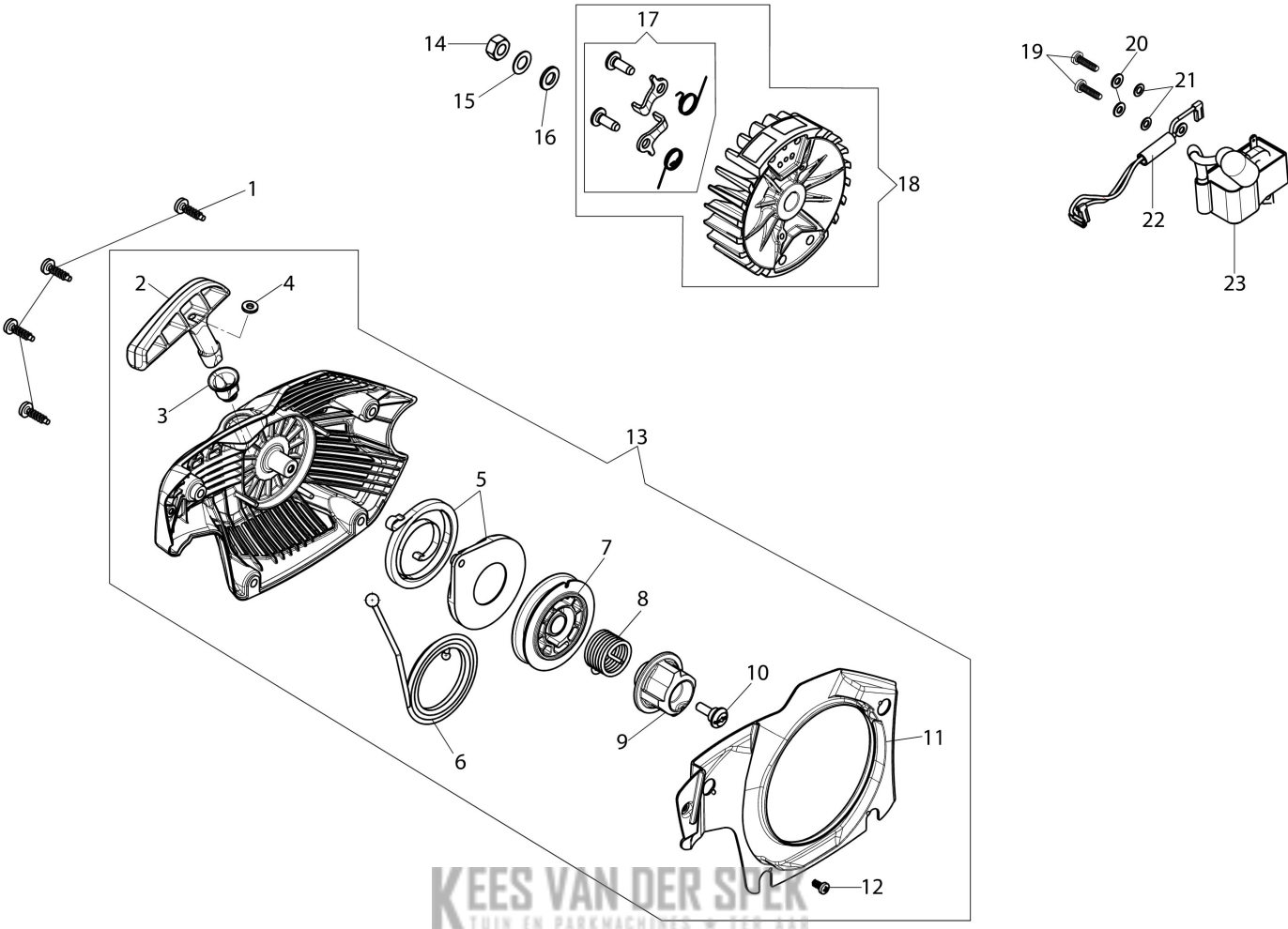


**KEES VAN DER SPEK**  
TUIN EN PARKMACHINES \* TER AAR

## Illustratie Engine

Ref.Nu	Qty	Part number	Description	Validity from	Validity till	Notes	Bulletin
1	1	3055101	Spark plug				
2	1	094600103	Band				
3	1	50170010R	Manifold				
4	1	50170032R	Plate				
5	3	3960115R	Screw				
6	1	50180195R	Engine cover				
7	1	50070126R	Spacer				
8	2	4196166R	Piston ring				
9	2	004900061R	Ring				
10	1	50110047R	Piston pin				
11	1	50180201	Piston assy				
12	1	50180200	Complete cylinder				
13	1	50272004R	Seal ring				
14	1	50110044R	Bearing				
15	2	094000006R	Bearing				
16	1	50180203	Labels kit				
17	1	50050016CR	Cover				
18	4	3801051R	Screw				
19	1	3050024AR	Seal ring				
20	1	50170324R	Crankshaft				
21	1	50230158R	Gasket				
22	1	50180194	Muffler				
23	3	3860117R	Screw				
24	1	50180143R	Guard				

**KEES VAN DER SPEK**  
TUIN EN PARKMACHINES \* TER AAR



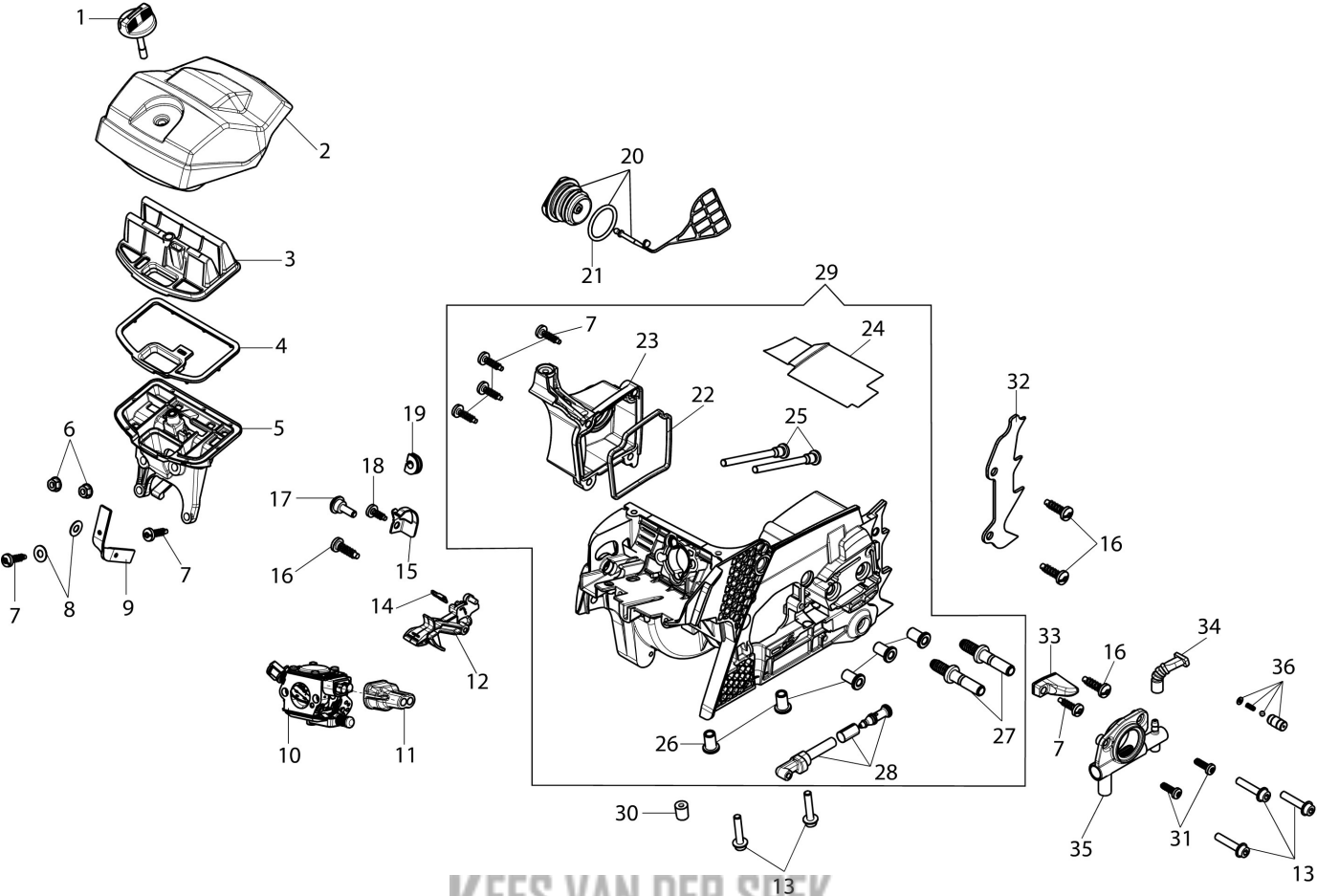
KEES VAN DER SPEK  
TUIN EN PARKMACHINES - 1000 AA

## Illustratie Ignition system

Ref.Nu	Qty	Part number	Description	Validity from	Validity till	Notes	Bulletin
1	4	3960115R	Screw				
2	1	50170017R	Starter handle				
3	1	094000038	Bushing				
4	1	006000829	Washer				
5	1	50050073R	Spring				
6	1	50070123R	Starter rope				
7	1	50170153R	Starter pulley				
8	1	50180107R	Spring				
9	1	50180106R	Sprocket				
10	1	50160024	Screw				
11	1	50180141R	Flange				
12	1	3960167R	Screw				
13	1	50180075R	Starter assy				
14	1	004000142R	Nut				
15	1	3833080R	Washer				
16	1	3916009R	Washer				
17	1	50072029	Pawl kit				
18	1	50180111AR	Flywheel set				
19	2	3960075R	Screw				
20	2	3916004R	Washer				
21	2	006000315R	Washer				
22	1	50170090R	Cable				
23	1	2501020R	Ignition coil				

**KEES VAN DER SPEK**  
TUIN EN PARKMACHINES \* TER AAR

Illustratie Crankcase

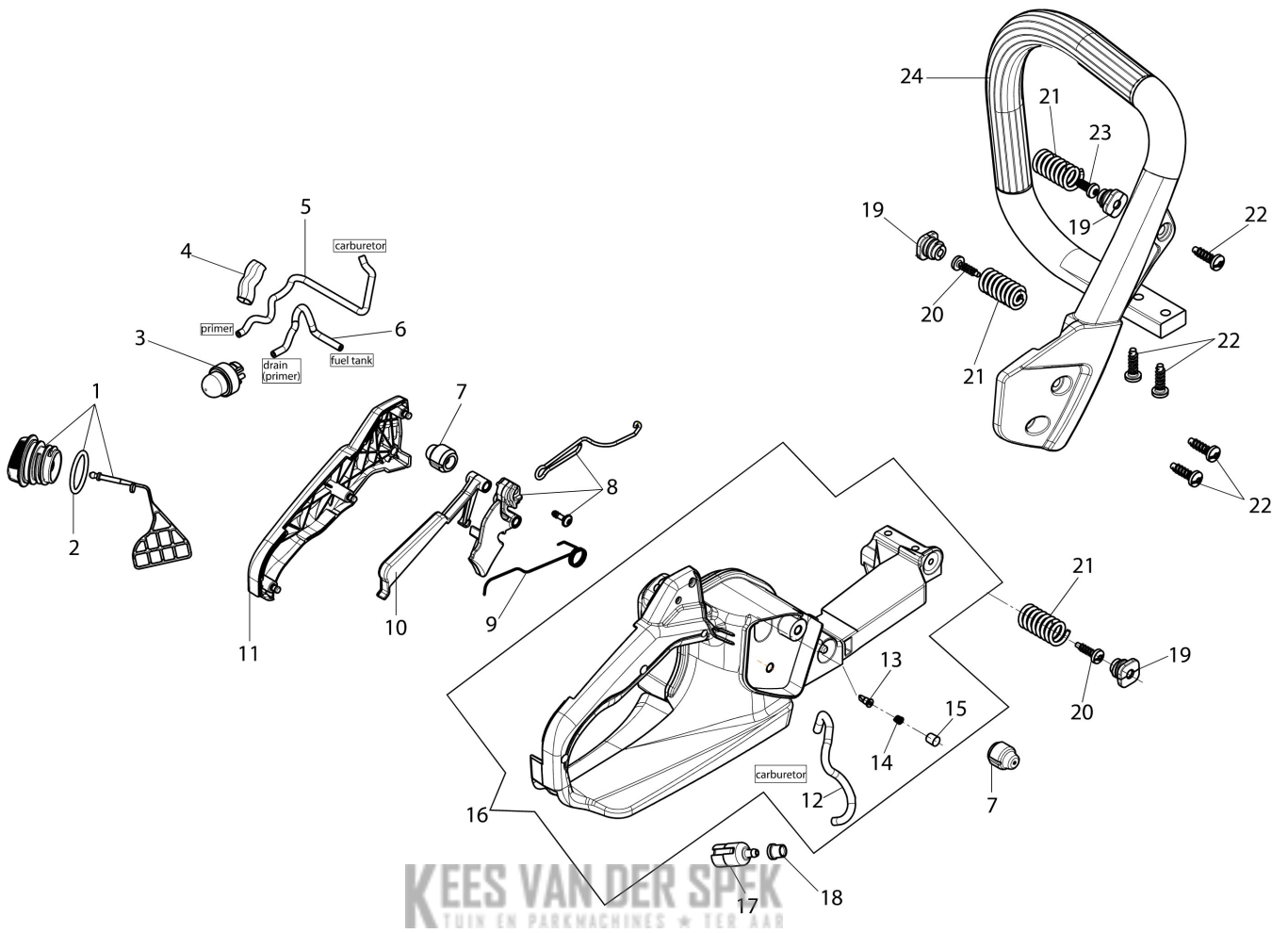


**KEES VAN DER SPEK**  
TUIN EN PARKMACHINES • TER AAR

## Illustratie Crankcase

Ref.Nu	Qty	Part number	Description	Validity from	Validity till	Notes	Bulletin
1	1	50210034R	Knob				
2	1	50180207R	Air filter cover				
3	1	50230036R	Air filter				
4	1	50230038R	Gasket				
5	1	50230068R	Filter support				
6	2	3914003R	Nut				
7	7	3960115R	Screw				
8	2	3818001R	Washer				
9	1	50050123BR	Strap				
10	1	2318755ER	Carburetor WT-780G				
11	1	50170150R	Screw guide				
12	1	50180140R	Lever				
13	1	3860099R	Screw				
14	1	50170062R	Plate				
15	1	50170061R	Spring				
16	3	3960099R	Screw				
16	1	3960099R	Screw				
17	1	50160024	Screw				
18	1	3960070R	Screw				
19	1	005000347AR	Grommet				
20	1	50052005R	Tank cap				
21	1	3049047R	O-ring				
22	1	50170004R	Gasket				
23	1	50180064R	Cover				
24	1	50180144R	Guard				
25	2	50070067A	Tie rod				
26	5	50050067R	Spacer				
27	2	50050052R	Stud				
28	1	50170149R	Oil filter				
29	1	50180145R	Crankcase assy				
30	1	50070126R	Spacer				
31	2	3860099R	Screw				
32	1	50180091R	Spike				
33	1	094600369R	Guard				
34	1	50050049R	Tube				
35	1	50180007BR	Oil pump			Fissa; Fixed	
36	1	097000229R	Breather valve				

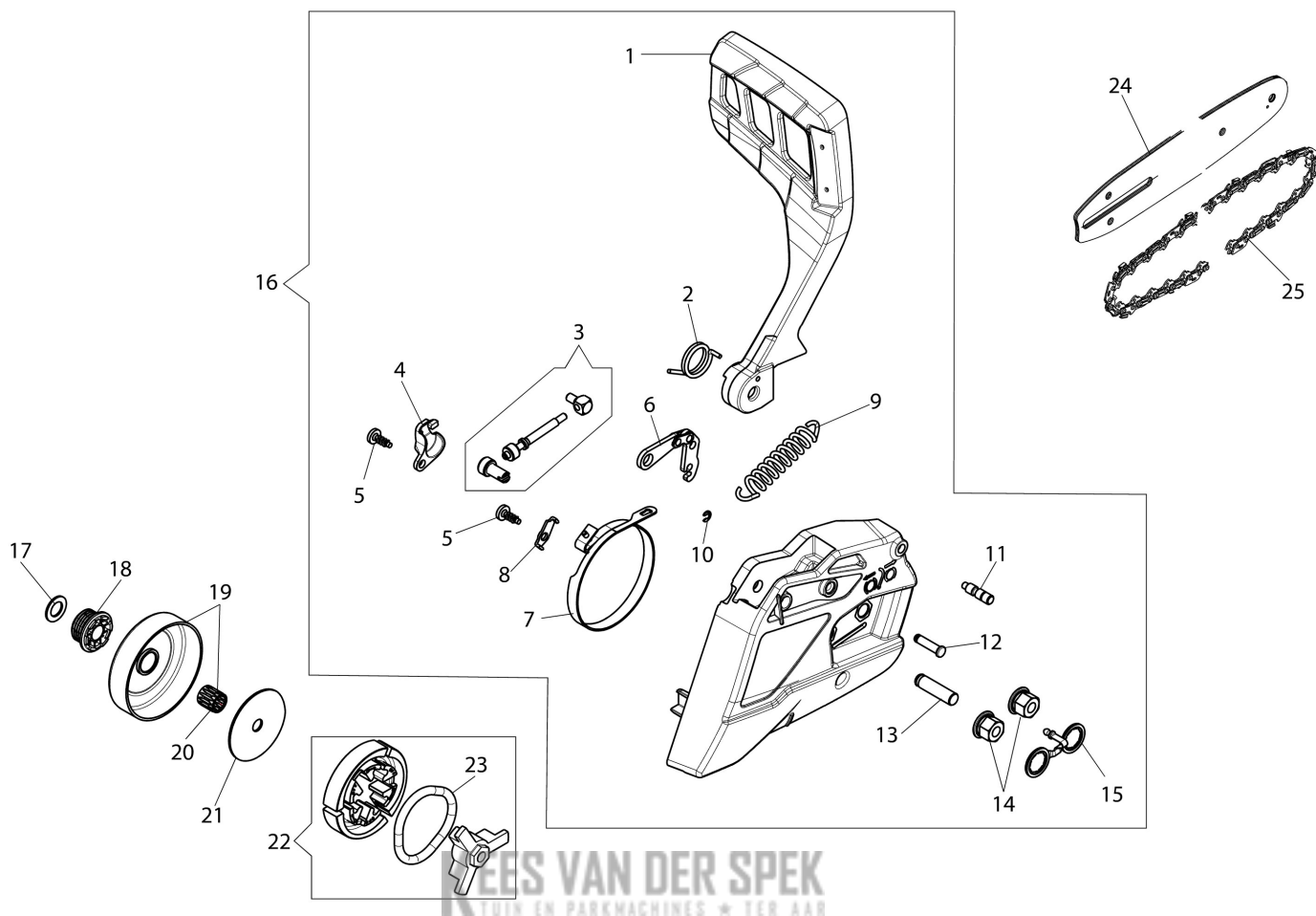
**KEES VAN DER SPEK**  
TUIN EN PARKMACHINES - TER AAR



## Illustratie Tank and handle

Ref.Nu	Qty	Part number	Description	Validity from	Validity till	Notes	Bulletin
1	1	50052005R	Tank cap				
2	1	3049047R	O-ring				
3	1	2318817R	Air purge				
4	1	50170121R	Sheath				
5	1	50170322R	Tube				
6	1	50170321R	Tube				
7	1	50010061R	AV-mount				
8	1	50180197	Throttle kit				
9	1	097000028R	Spring				
10	1	50050096AR	Lever				
11	1	50180109R	Cover				
12	1	3073015AR	Tube				
13	1	094500577AR	Breather valve				
14	1	094500575R	Spring				
15	1	50050071R	Breather valve				
16	1	50180092R	Complete tank				
17	1	094600450R	Fuel filter				
18	1	61110162BR	Bushing				
19	3	50170034R	Support				
20	2	3960115R	Screw				
21	3	50050047AR	Spring				
22	5	3960099R	Screw				
23	1	3993070R	Screw				
24	1	50180108R	Handle				

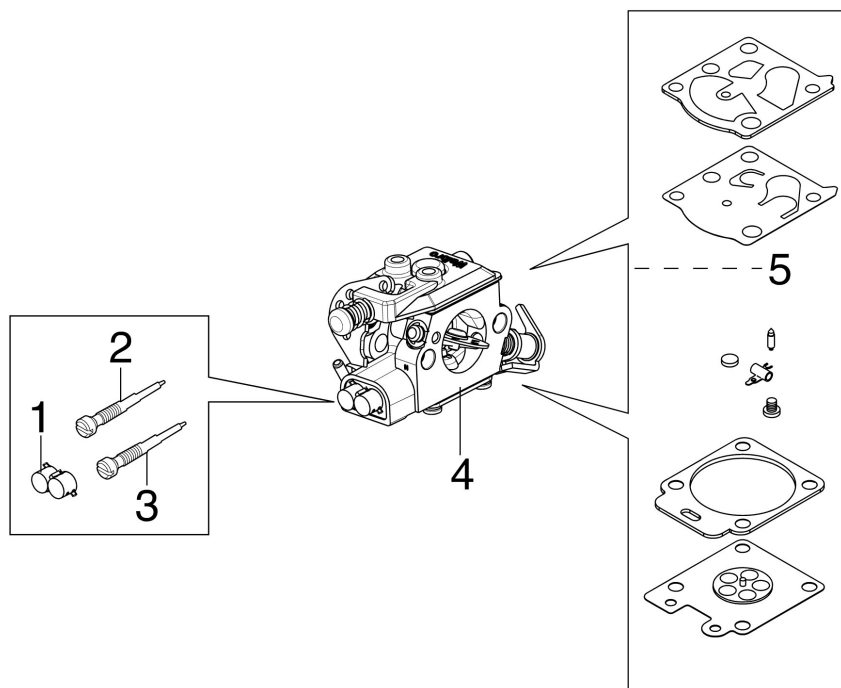
**KEES VAN DER SPEK**  
TUIN EN PARKMACHINES \* TER AAR



## Illustratie Clutch and brake

Ref.Nu	Qty	Part number	Description	Validity from	Validity till	Notes	Bulletin
1	1	50180114R	Hand guard				
2	1	50010088AR	Spring				
3	1	50162017A	Chain tensioner kit				
4	1	50170044R	Cover				
5	2	3960070R	Screw				
6	1	097000146	Lever				
7	1	50050039R	Brake band				
8	1	50050125R	Plate				
9	1	095000219AR	Spring				
10	1	3026003R	Ring				
11	1	50050064R	Pin				
12	1	097000106R	Plug				
13	1	50050066	Plug				
14	2	3980021R	Nut				
15	2	50180147R	Clamp				
16	1	50180067R	Chain cover assy				
17	1	004400285	Washer				
18	1	50060008R	Worm gear .325			Per modelli MT 411 - 4110 -	
18	1	50050025R	Worm gear 3/8			Per modelli MT 371 - 3710 -	
19	1	50060033A	Chain sprocket .325			411 - 4110; For model MT	
19	1	50050136A	Chain sprocket 3/8			Per modelli MT 411 - 4110 -	
20	1	50030372	Roller cage			371 - 3710 - 411 - 4110;	
21	1	004000352R	Washer			Per modelli MT 411 - 4110 -	
22	1	094000129AR	Clutch			411 - 4110; For model MT	
23	1	094500029AR	Spring			Per modelli MT 411 - 4110 -	
24	1	50030212R	Bar 14" - 35 cm			371 - 3710 - 411 - 4110;	
24	1	50052019R	Bar 16" - 41 cm			Per modelli MT 411 - 4110 -	
25	1	30629525A	Efco chain .3/8" x .050" (1,3mm)			371 - 3710 - 411 - 4110;	
25	1	30629528A	Efco chain .3/8" x .050" (1,3mm)			Per modelli MT 411 - 4110 -	

**KES VAN DER SPEK**  
TUIN EN PARKMACHINES - TER AAR



**KEES VAN DER SPEK**  
TUIN EN PARKMACHINES \* TER AAR

## Illustratie Carburetor WT-780G

---

Ref.Nu	Qty	Part number	Description	Validity from	Validity till	Notes	Bulletin
1	2	2318867R	Caps-lock				
2	1	2318893	Screw L				
3	1	2318837	Adjust. screw				
4	1	2318755ER	Carburetor WT-780G				
5	1	2318671	Repair kit				

**KEES VAN DER SPEK**  
TUIN EN PARKMACHINES \* TER AAR