

MT 4400 (Euro 2) Chainsaw



Documenten

Engine

Starter assy

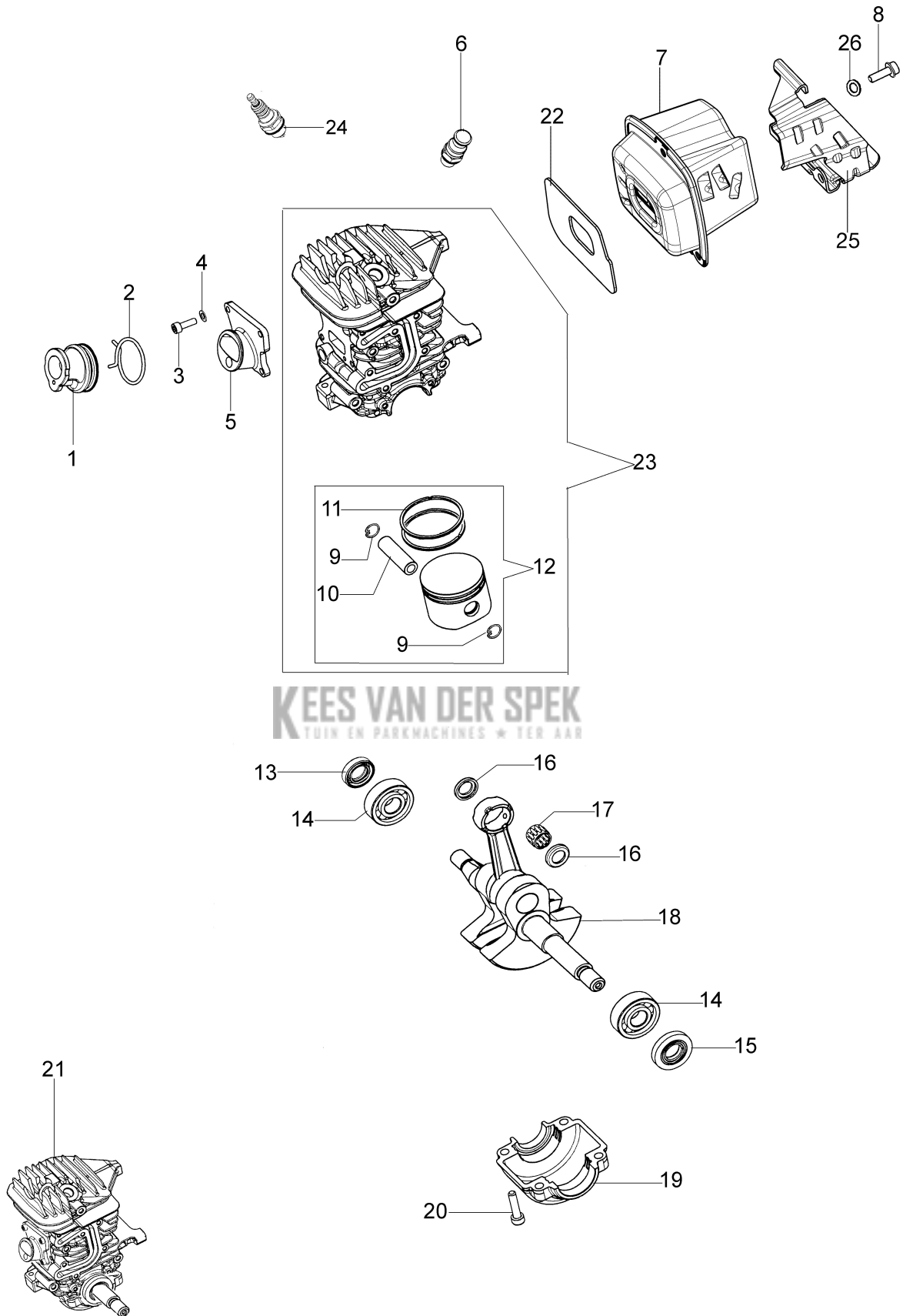
Crankcase assy

Tank and handle

Clutch and brake

Carburettor WT-780F

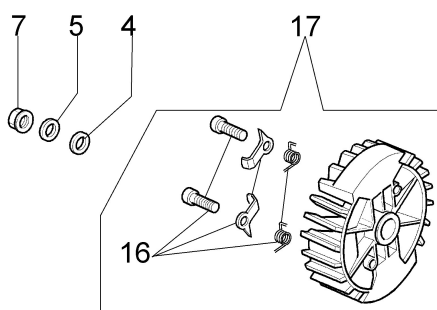
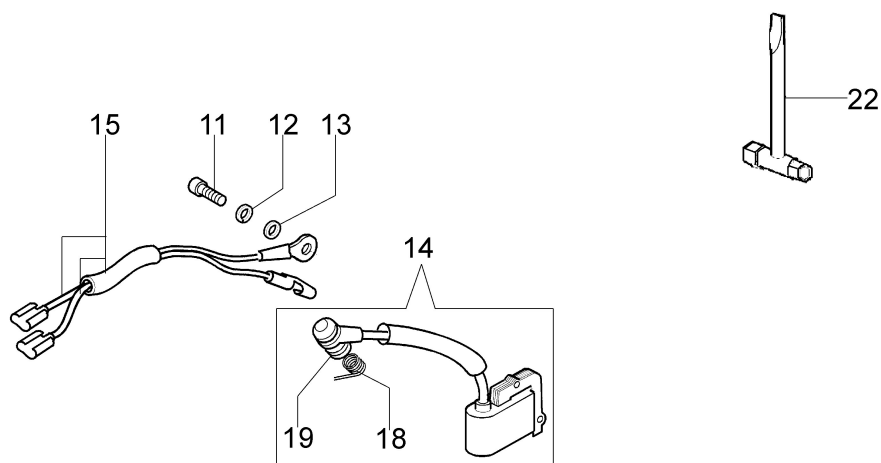
KEES VAN DER SPEK
TUIN EN PARKMACHINES * TER AAR



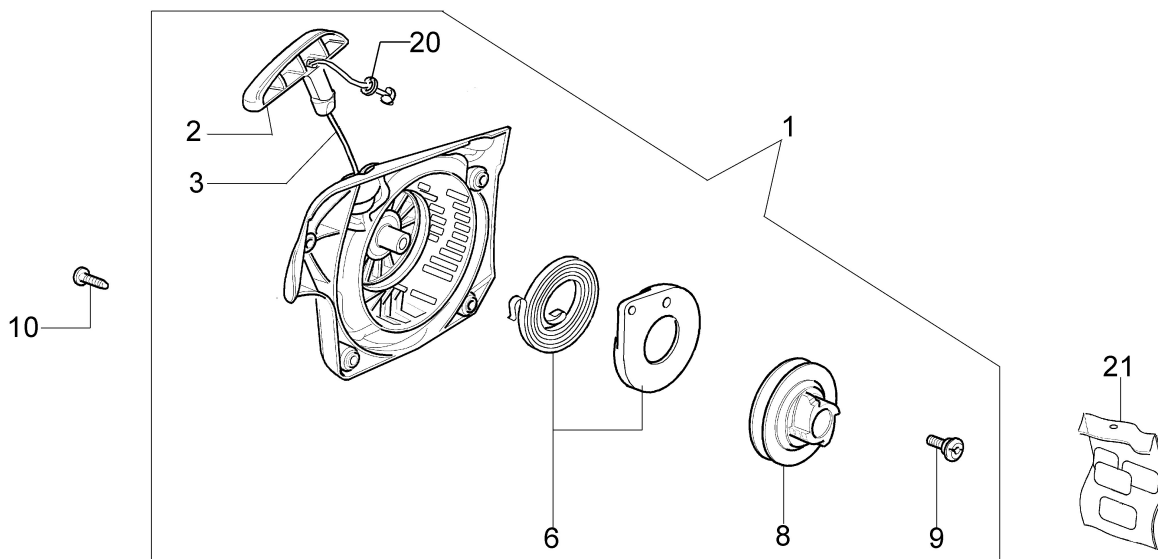
Illustratie Engine

Ref.Nu	Qty	Part number	Description	Validity from	Validity till	Notes	Bulletin
1	1	50050010R	Manifold				
2	1	094600103	Band				
3	4	3891010R	Screw				
4	4	006000315R	Washer				
5	1	50230060R	Flange				
6	1	50230012R	Decompressor				
7	1	50230161R	Muffler				
8	3	3860117R	Screw				
9	2	004900061R	Ring				
10	1	50230011R	Piston pin				
11	2	50070128R	Piston ring Ø42				
12	1	50232010	Piston assy Ø42				
13	1	50272004R	Seal ring				
14	2	094000006R	Bearing				
15	1	3050024AR	Seal ring				
16	2	50110043AR	Spacer				
17	1	50110044R	Bearing				
18	1	50230082R	Crankshaft				
19	1	50050016AR	Cover				
20	4	3801047	Screw				
21	1	50232020R	Short block				
22	1	50230158R	Gasket				
23	1	50232023	Complete cylinder Ø42				
24	1	3055120	Spark plug				
25	1	50230159R	Guard				
26	3	094600054	Washer				

KEES VAN DER SPEK
TUIN EN PARKMACHINES * TER AAR



KEES VAN DER SPEK
 TUIN EN PARKMACHINES • TER AAR



Illustratie Starter assy

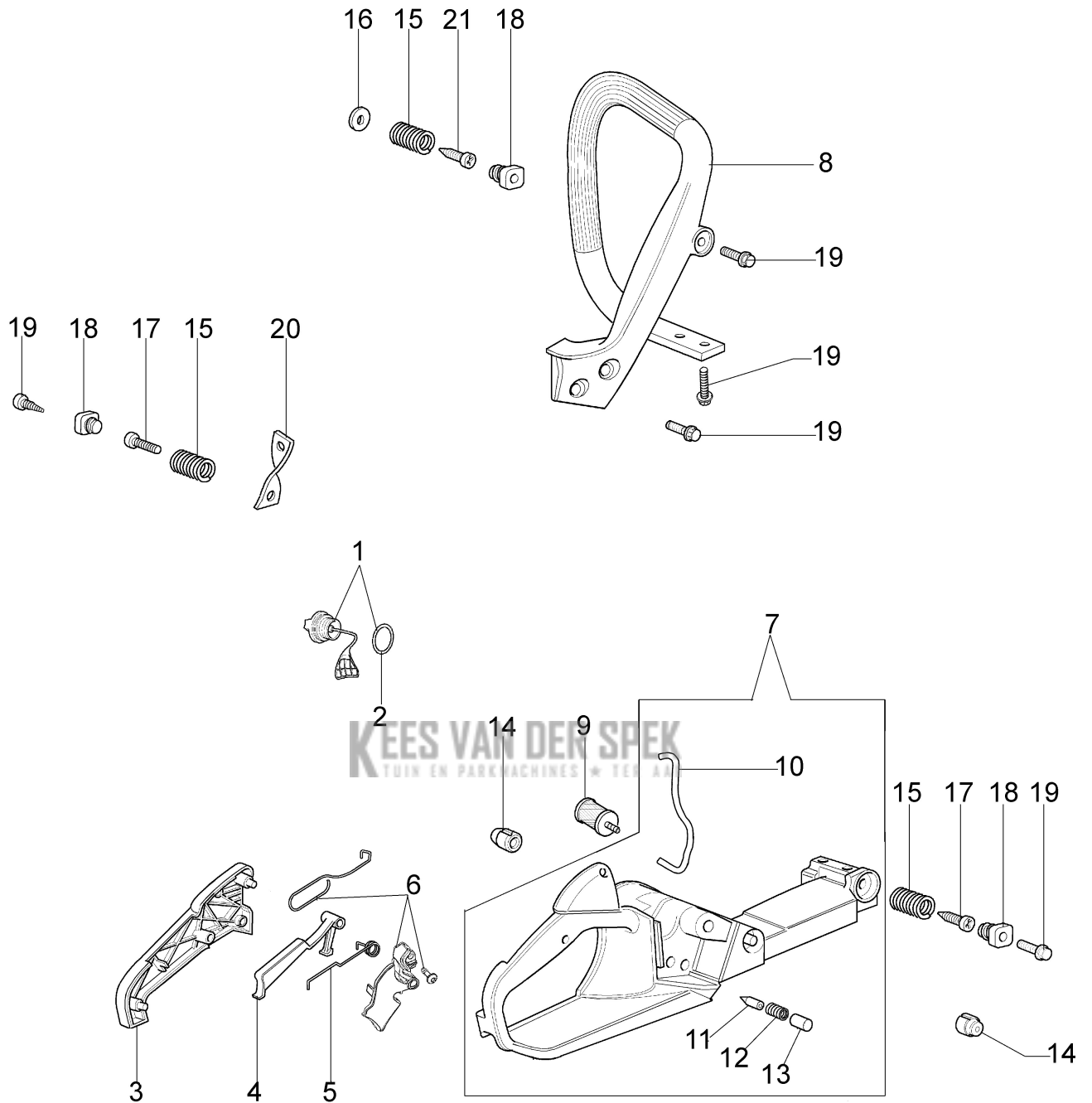
Ref.Nu	Qty	Part number	Description	Validity from	Validity till	Notes	Bulletin
1	1	50230026R	Starter assy				
2	1	50170017R	Starter handle				
3	1	50070123R	Starter rope				
4	1	005000361	Washer				
5	1	3833080R	Washer				
6	1	50050073R	Spring				
7	1	004000142R	Nut				
8	1	50230045R	Pulley				
9	1	50160024	Screw				
10	4	3960115R	Screw				
11	2	3960075R	Screw				
12	2	006000315R	Washer				
13	2	3916004R	Washer				
14	1	50170144CR	Ignition coil				
15	1	50170090R	Cable				
16	1	50072029	Pawl				
17	1	50170015R	Flywheel				
18	1	50050127	Spring				
19	1	50050126	Spark plug cap				
20	1	006000829	Washer				
21	1	50230176	Labels kit				
22	1	2304017	Wrench 13x16				

KEES VAN DER SPEK
TUIN EN PARKMACHINES * TER AAR

Illustratie Crankcase assy

Ref.Nu	Qty	Part number	Description	Validity from	Validity till	Notes	Bulletin
1	1	50232017AR	Crankcase				
2	1	50232007R	Cover				
3	2	50070126R	Spacer				
4	1	50170032R	Deflector				
5	1	50232009	Air filter cover				
6	1	50230036R	Air filter				
7	1	50230038R	Gasket				
8	1	50230068R	Filter support				
9	8	3960115R	Screw				
10	1	2318817R	Air purge				
11	1	50052005R	Tank cap				
12	1	3049047R	O-ring				
13	1	50170090R	Cable				
14	1	50230030R	Cover				
15	1	50170033R	Guard				
16	2	3891066R	Screw				
17	2	3916005R	Washer				
18	2	3833073R	Washer				
19	1	2318755DR	Carburetor WT-780F				
20	1	50170150R	Screw guide				
21	1	50230061AR	Support				
22	1	50170321R	Tube				
23	1	50170121R	Sheath				
24	1	50170224R	Tube				
25	1	50170051BR	Oil pump				
26	1	50210004R	Gasket				
27	1	3960070AR	Screw				
28	1	50170061R	Spring				
29	2	3960099R	Screw				
30	1	50170060AR	Lever				
31	1	005000347AR	Grommet				
32	1	50170062R	Plate				
33	1	50170149R	Oil filter				
34	5	50050067	Spacer				
35	5	3860099R	Screw				
36	1	50050049R	Tube				
37	1	50230145R	Spike				
38	1	094600369R	Guard				
39	1	097000229R	Breather valve				
40	2	50050052R	Stud				
41	1	50210034R	Knob				
42	1	50160024	Screw				
43	2	3960074	Screw				

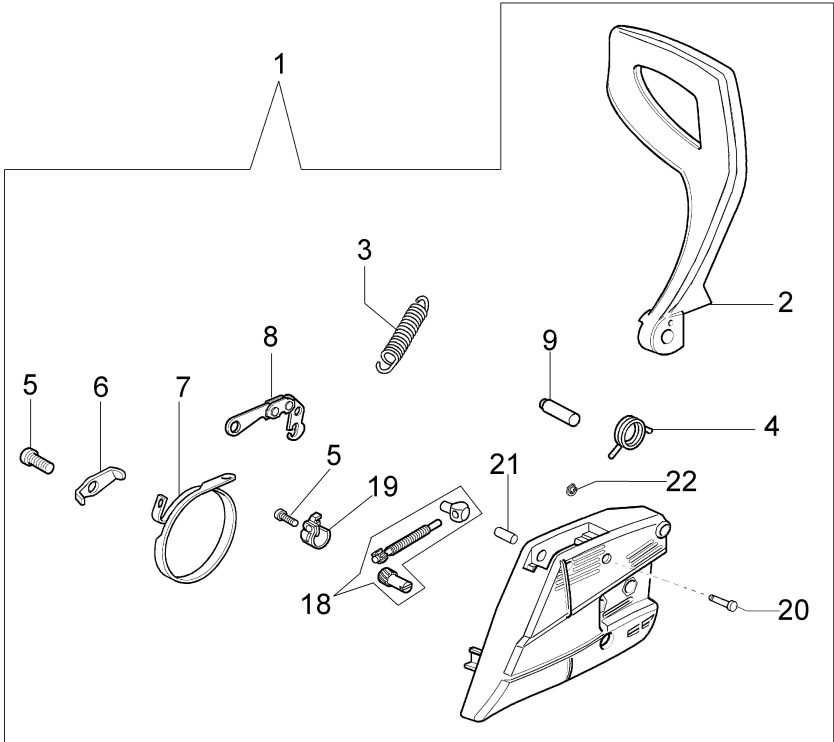




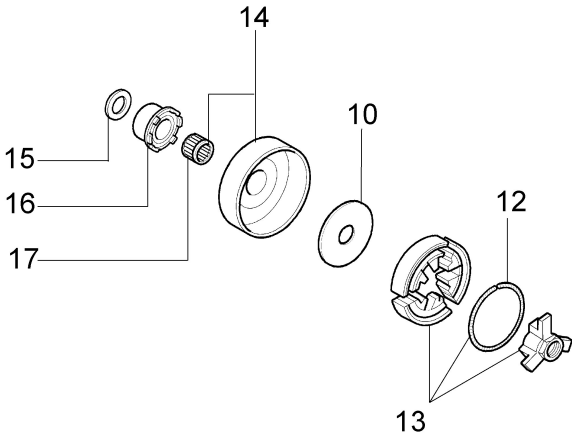
Illustratie Tank and handle

Ref.Nu	Qty	Part number	Description	Validity from	Validity till	Notes	Bulletin
1	1	50052005R	Tank cap				
2	1	3049047R	O-ring				
3	1	50170024R	Cover				
4	1	50050096AR	Lever				
5	1	097000028R	Spring				
6	1	50170249A	Throttle kit				
7	1	50172007AR	Tank				
8	1	50170026R	Handle				
9	1	094600450R	Fuel filter				
10	1	50170152R	Tube				
11	1	094500577AR	Breather valve				
12	1	094500575R	Spring				
13	1	50050071R	Breather valve				
14	2	50010061R	AV-mount				
15	3	50050047AR	Spring				
16	1	3918010R	Washer				
17	2	3960115R	Screw				
18	3	50170034R	Support				
19	7	3960099R	Screw				
20	1	50050123R	Strap				
21	1	3960073R	Screw				

KEES VAN DER SPEK
TUIN EN PARKMACHINES * TER AAR



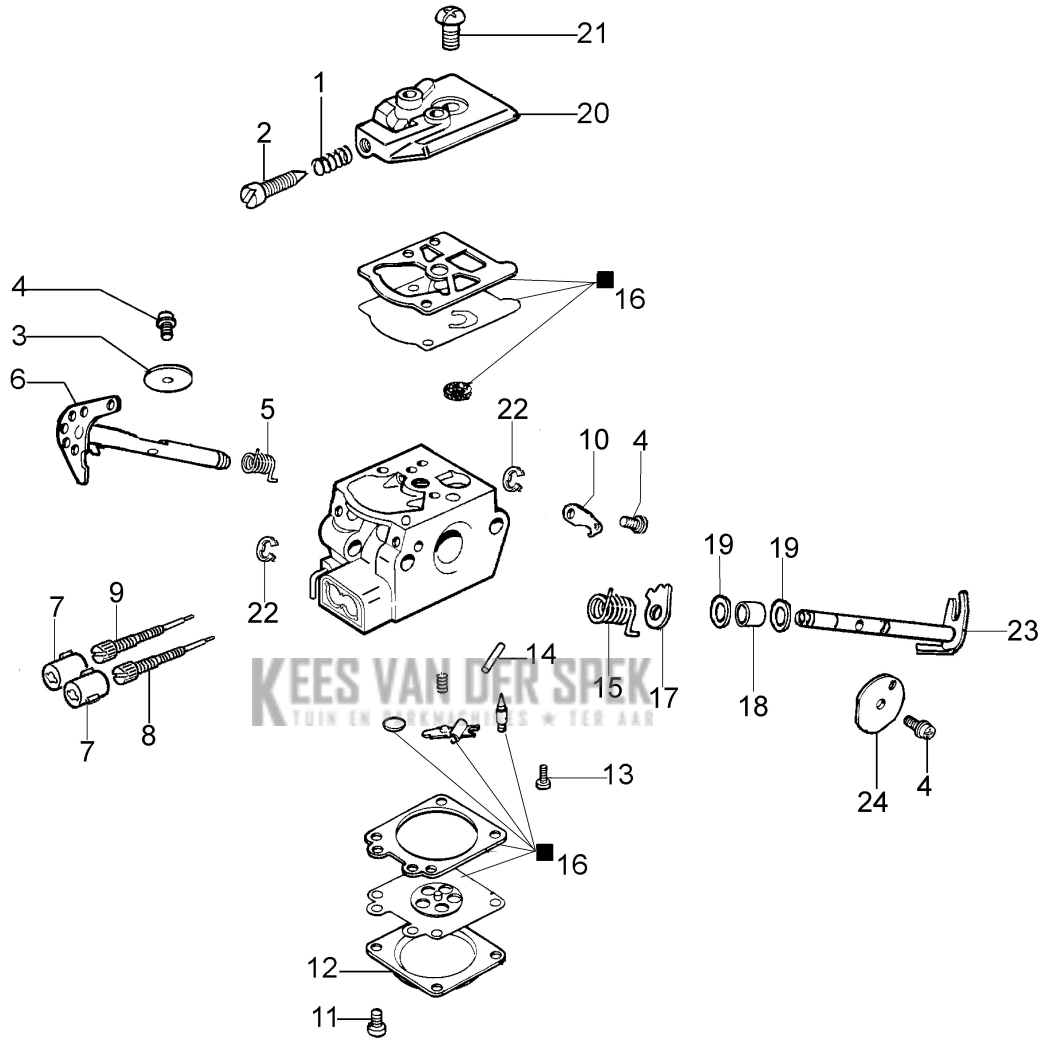
KEES VAN DER SPEK
TUIN EN PARKMACHINES * TER AAR



Illustratie Clutch and brake

Ref.Nu	Qty	Part number	Description	Validity from	Validity till	Notes	Bulletin
1	1	50170065R	Chain cover assy				
2	1	50170040R	Guard				
3	1	095000219AR	Spring				
4	1	50010088AR	Spring				
5	2	3960070AR	Screw				
6	1	50050125R	Plate				
7	1	50050039R	Brake band				
8	1	097000146	Lever				
9	1	50050064R	Pin				
10	1	004000352R	Washer				
11	2	50010148R	Nut				
12	1	094500029	Spring				
13	1	094000129AR	Clutch				
14	1	50060033A	Chain sprocket .325				
15	1	004400285	Washer				
16	1	50060008R	Worm gear .325				
17	1	50030372	Bearing				
18	1	50162017A	Chain tensioner kit				
19	1	50170044R	Cover				
20	1	097000106R	Plug				
21	1	50050066	Plug				
22	1	3026003R	Ring				

KEES VAN DER SPEK
TUIN EN PARKMACHINES * TER AAR



16 ■ KIT RIPARAZIONE
REPAIR KIT

Illustratie Carbuirettor WT-780F

Ref.Nu	Qty	Part number	Description	Validity from	Validity till	Notes	Bulletin
1	1	094600148	Spring				
2	1	074000240	Adjust. screw				
3	1	095000141	Shutter				
4	3	50010141	Screw				
5	1	094600208	Spring				
6	1	2318753	Shaft				
7	2	2318867R	Caps-lock				
8	1	2318837	Adjust. screw				
9	1	2318893	Screw L				
10	1	2318743	Throttle lever				
11	4	035000162	Screw				
12	1	2318191	Cover				
13	1	003300202	Screw				
14	1	003300201	Spindle				
15	1	50050115	Spring				
16	1	2318671	Repair kit				
17	1	2318742	Lever				
18	1	2318751	Bushing				
19	2	50010265	Washer				
20	1	50050107	Cover				
21	1	003300197	Screw				
22	2	095000164	Ring				
23	1	2318764	Shaft				
24	1	094600140	Shutter				

KEES VAN DER SPEK
TUIN EN PARKMACHINES * TER AAR