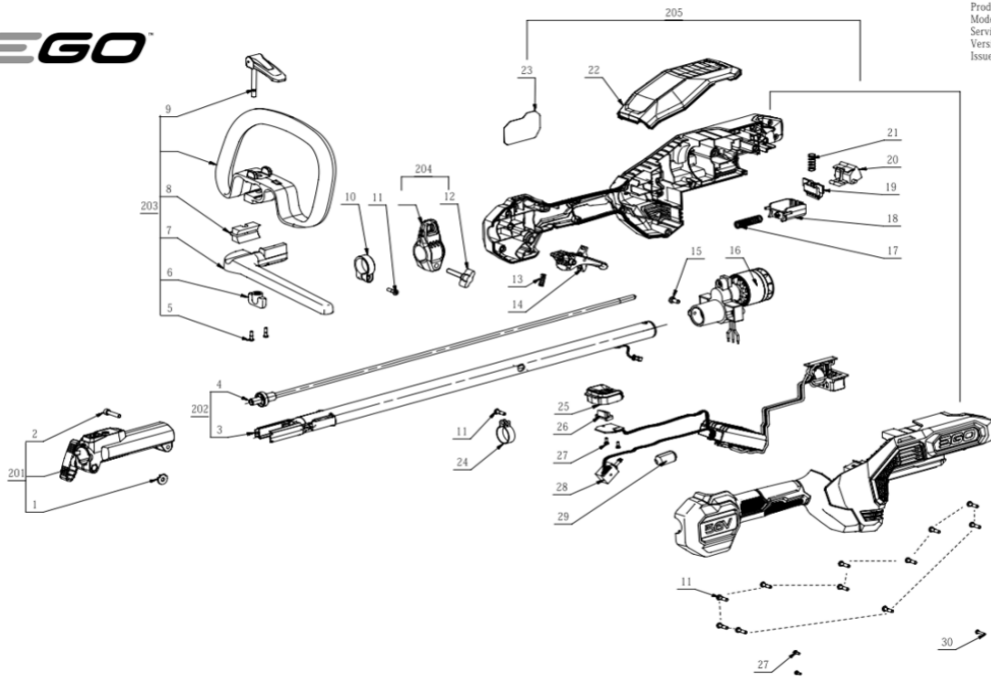


PH1420E

Multi-tool



Product Description: Power Head
Model Number: PH1420E
Service Item Number: F850022002501
Version: A
Issue Date: 2022/11/30

KEES VAN DER SPEK
TUIN EN PARKMACHINES * TER AAR

Index No.	Art. No.	Description EN	QTY in machine
1	3705464001	Limit Chute	1
2	5620550002	Hexagon Socket Screw	1
3	2829389001	Connecting Tube Assembly	1
4	2829392001	Shaft Assembly	1
5	5610305001	Tapping Screw	2
6	3400010003	Wing Nut	1
7	3128672001	Front Handle Cover	1
8	3127651001	Clamping Block	1
9	2825135002	Handle Lever Set	1
10	3128598001	Retaining Ring	1
11	5620479001	Screw	13
12	5640239002	Wing Bolt	1
13	3660013003	Spring1	1
14	2828581001	Trigger Assembly	1
15	5620050007	Screw	1
16	2790723001	Motor And Gear Case Assembly	1
17	3660818001	Compression Spring	1
18	3131427001	Sliding Block	1
19	3127497001	Power Pack Button	1
20	3127498001	Power Pack Button	1
21	3660088003	Knob-reset Spring	1
22	3323413001	Cover Plate	1
23	2245877002	Nameplate	1
24	3705178001	Fixed Ring	1
25	3323122001	Lamp Housing	1
26	3132698001	Light Guide Pole	1
27	5610222002	Hexagon Lobuar Screw	4
28	2831413001	Electric Assembly	1
29	3680259001	Magnet Ring	1
30	5610274003	Self Tapping Screw	1
201	2829798001	Connector Assembly	1
202	2829393001	Connecting Tube Assembly	1
203	2825126002	Handle ASSY	1
204	2829417001	Pothead Assembly	1
205	2829650001	Housing Assembly	1