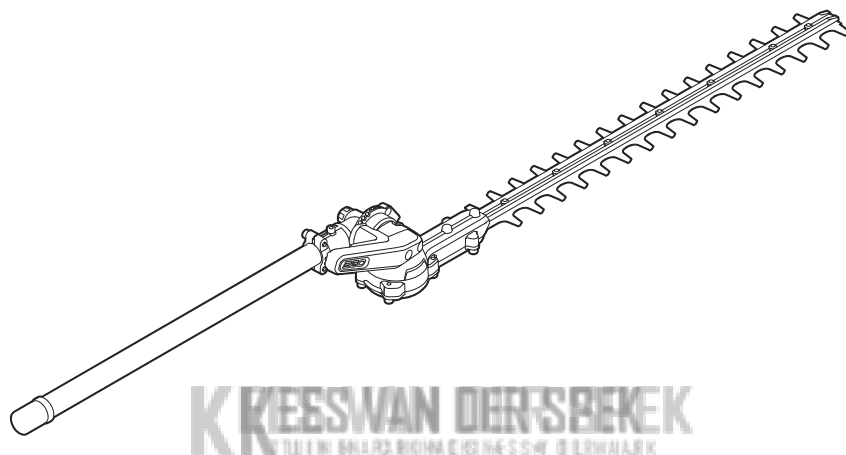


EGO™

POWER⁺ HEDGE TRIMMER ATTACHMENT



KREISSWAN DERFSBEK
KREISSWAN DERFSBEK ENGINEERING & DESIGN

OPERATOR'S MANUAL
**HEDGE TRIMMER
ATTACHMENT**
MODEL NUMBER HTA2000S

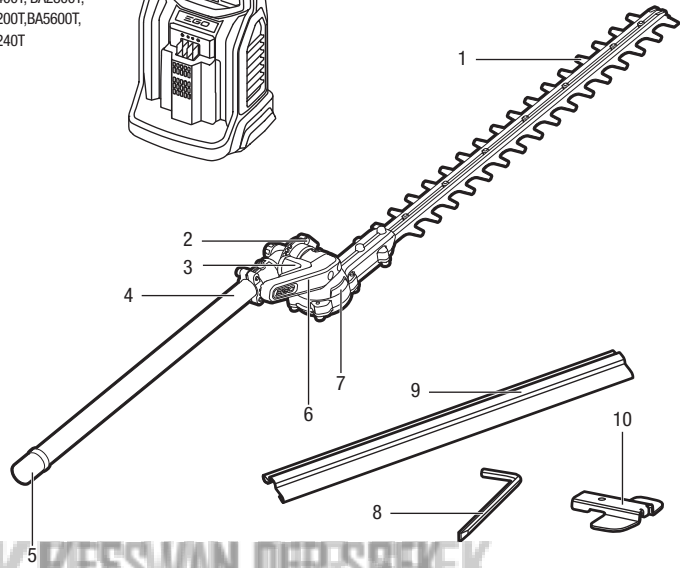
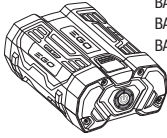
FOR USE ONLY WITH THE 56V LITHIUM-ION POWER HEAD PH1400E

EN	Hedge trimmer attachment	5	RO	Accesoriu de trimmer pentru gard viu	141
DE	Heckenschneider-aufsatz	13	SL	Priključek z obrezovalnikom žive meje	150
FR	Accessoire pour taille-haie	22	LT	Gyvatorių pjūklas (papildomas įtaisas)	158
ES	Herramienta cortasetos de	31	LV	Dzīvžogu šķēru palīgierīce	166
PT	Acessório para corta-sebes de	40	GR	Προσαρτημα ψαλλιου μπουρντουρας	174
IT	Accessorio tagliasetti	48	TR	Çim düzeltici aksesuarı	184
NL	Multitool heggenschaar accessoire	57	ET	Multitööriista hekipügaja	192
DK	Hækkeklipper tilbehør	66	UK	Насадка для підрізання живоплоту	200
SE	Tillsats för häcktrimmer	74	BG	Приставка ножица за жив плет	209
FI	Pensasleikkurilisäosa	82	HR	Priključak šišača živice	218
NO	Tilbehør for hekktrimmer	90	KA	ბუჩქის საკრეჭის მიმაგრება - მოდელის ნომერი	226
RU	Насадка электросекатора	98	SR	Dodatak trimera za živicu	239
PL	Końcówka nożyce do żywoplotu	108	BS	Priključak makaza za živicu	247
CZ	Nástavec pro nůžky na živé ploty	117	HE	אביזר גוזם גדרות	255
SK	Nástavec pre nožnice na živé ploty	125	AR	ملحق جزاة السياج	263
HU	Sövénynyíró alkatrész	133			

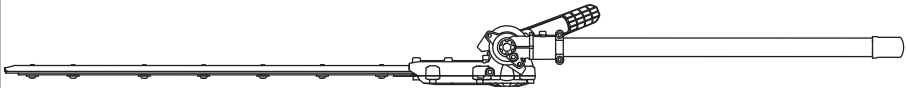
A

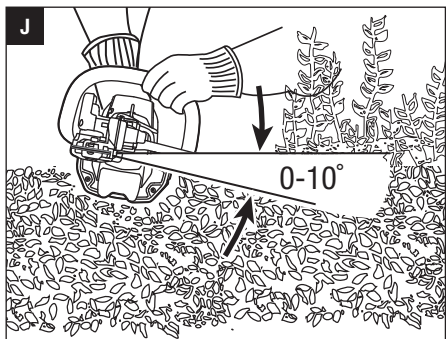
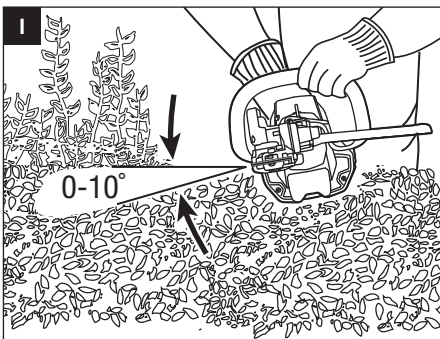
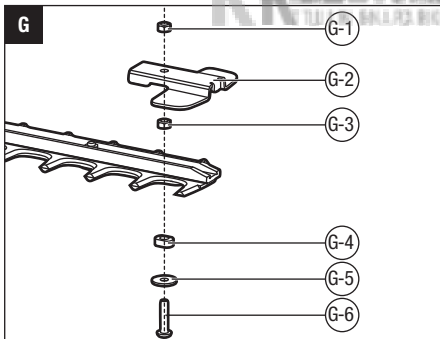
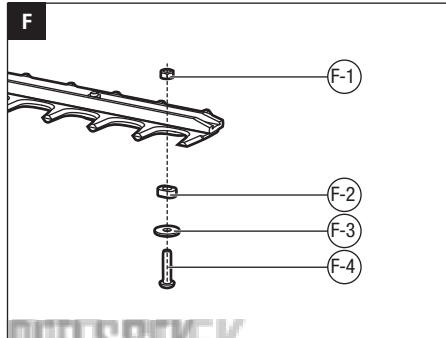
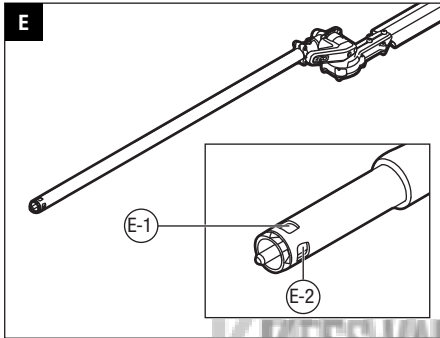
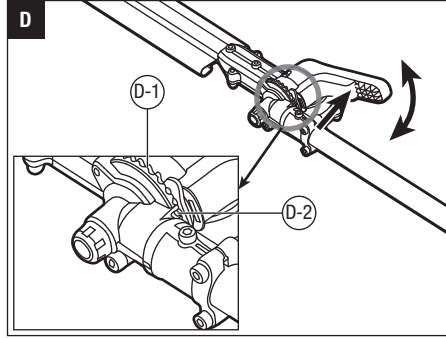
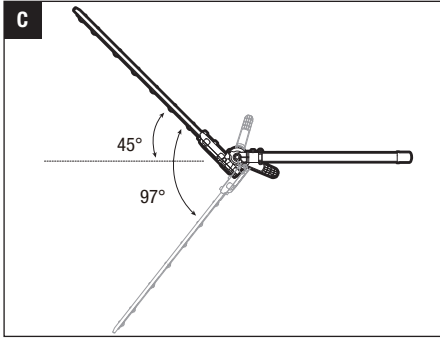
BA1120E, BA1400,
BA2240E, BA2800,
BA3360, BA4200,
BA1400T, BA2800T,
BA4200T, BA5600T,
BA2240T

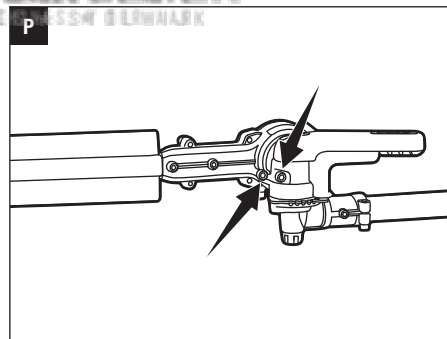
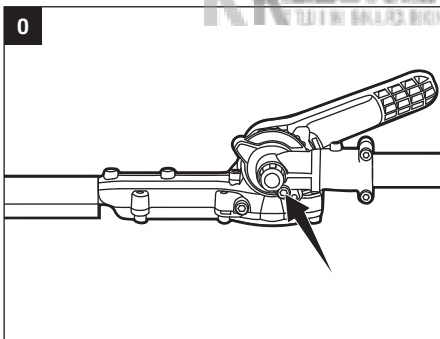
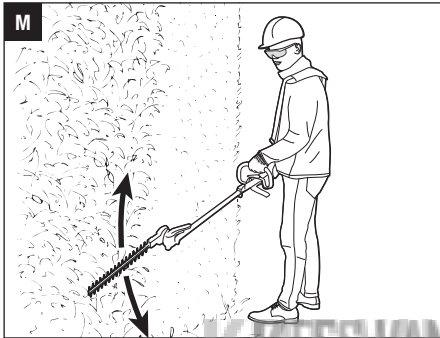
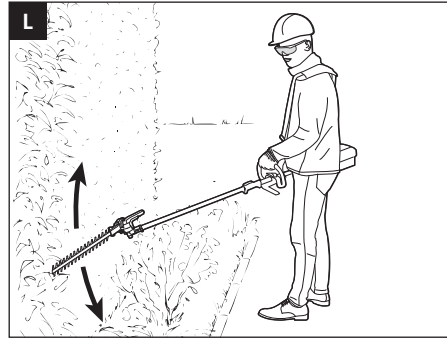
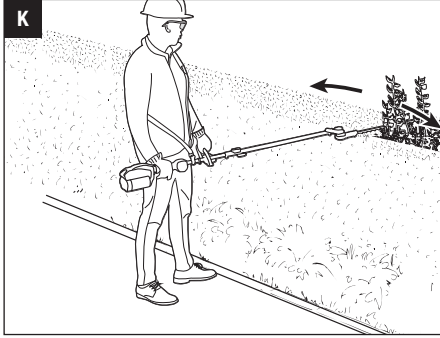
CH5500E,
CH2100E



KREISSVAN DER'SBEKEK
ULTRA HOCHDRUCKWASSERSCHNITTGERÄTE

B





READ ALL INSTRUCTIONS!



READ OPERATOR'S MANUAL

⚠ Residual risk! People with electronic devices, such as pacemakers, should consult their physician(s) before using this product. Operation of electrical equipment in close proximity to a heart pacemaker could cause interference or failure of the pacemaker.

⚠ WARNING: To ensure safety and reliability, all repairs and replacements should be performed by a qualified service technician.

SAFETY SYMBOLS

The purpose of safety symbols is to attract your attention to possible dangers. The safety symbols and the explanations with them deserve your careful attention and understanding. The symbol warnings do not, by themselves, eliminate any danger. The instructions and warnings they give are no substitutes for proper accident prevention measures.

⚠ WARNING: Be sure to read and understand all safety instructions in this Operator's Manual, including all safety alert symbols such as "**DANGER**," "**WARNING**," and "**CAUTION**" before using this tool. Failure to follow all instructions listed below may result in electric shock, fire, and/or serious personal injury.

SYMBOL MEANING

⚠ SAFETY ALERT SYMBOL: Indicates **DANGER**, **WARNING**, OR **CAUTION**. May be used in conjunction with other symbols or pictographs.






⚠ WARNING: The operation of any power tools can result in foreign objects being thrown into your eyes, which can result in severe eye damage. Before beginning power tool operation, always wear safety goggles or safety glasses with side shields and a full face shield when needed. We recommend a Wide Vision Safety Mask for use over eyeglasses or standard safety glasses with side shields.

SAFETY INSTRUCTIONS

This page depicts and describes safety symbols that may appear on this product. Read, understand, and follow all instructions on the machine before attempting to assemble and operate it.

	Safety Alert	Indicates a potential personal injury hazard.
	Read Operator's Manual	To reduce the risk of injury, user must read and understand the operator's manual before using this product.
	Wear Eye Protection	Always wear safety goggles or safety glasses with side shields and a full face shield when operating this product.
	Wear Head Protection	Wear an approved safety hard hat to protect your head.
	Wear Ear Protection	Always wear ear protection when operating this product.
	Blade Length	The length of the blade
	Cutting Capacity	Max. Cutting capacity of the blade
	Keep hands and feet away from the cutting tool	Never attempt to operate your power tool with one hand. Loss of control of the power tool resulting in serious or fatal injury may result. To reduce the risk of cut injuries, keep hands and feet away from the cutting tool. Never attach a moving cutting tool with your hand or any other part of your body.
	Keep Bystanders Away	Ensure that other people and pets remain at least 15m away from the hedge trimmer when it is in use.
	Do Not Expose To Rain	Do not use in the rain or leave outdoors while it is raining.

IPX4	IP Symbol	Protection against ingress of water degree 4
	CE	This product is in accordance with applicable EC directives.
	WEEE	Waste electrical products should not be disposed of with household waste. Take to an authorized recycler.
	Noise	Guaranteed sound power level. Noise emission to the environment according to the European community's Directive.
V	Volt	Voltage
mm	Millimeter	Length or size
cm	Centimeter	Length or size
kg	Kilogram	Weight

IMPORTANT SAFETY INSTRUCTIONS

⚠ WARNING! When using electric gardening appliances, basic safety precautions should always be followed to reduce the risk of fire, electric shock, and personal injury, including the following:

READ CAREFULLY BEFORE USE

KEEP FOR FUTURE REFERENCE

⚠ DANGER! Do not operate near electrical power lines. The unit has not been designed to provide protection from electric shock in the event of contact with overhead electric lines. Consult local regulations for safe distances from overhead electric power lines and ensure that the operating position is safe and secure before operating the tool.

HEDGE TRIMMER SAFETY WARNINGS

⚠ DANGER! Keep hands away from blade. Contact with blade will result in serious personal injury.

- **Keep all parts of the body away from the cutter blade. Do not remove cut material or hold material to be cut when blades are moving. Make sure the switch is off when clearing jammed material.** A moment of inattention while operating the hedge trimmer may result in serious personal injury.
- **On machines with a defined transport position (cutting blade folded flat against the hedge trimmer shaft): Never start the machine in the transport position, since the blades are not engaged**

in that position and you therefore cannot visually check to see that they will be stopped at idle when you start to adjust the cutting blade to the desired cutting position (where the blades are engaged).

- **Carry the hedge trimmer by the handle with the cutter blade stopped.** When transporting or storing the hedge trimmer always fit the cutting device cover. Proper handling of the hedge trimmer will reduce possible personal injury from the cutter blades.
- **Do not grasp the exposed cutting blades or cutting edges when picking up or holding the hedge trimmer.**
- **Hold the power tool by insulated gripping surfaces only, because the cutter blade may contact hidden wiring.** Cutter blades contacting a “live” wire may make exposed metal parts of the power tool “live” and could give the operator an electric shock.
- **Keep cable away from cutting area.** During operation the cable may be hidden in shrubs and can be accidentally cut by the blade.
- **Check the hedge for foreign objects before operating, e.g. wire fences.**
- **To reduce the risk of injury from loss of control, be absolutely sure that the cutting blade is clear of you and all other obstructions and objects, including the ground, because when the tool starts, the motor speed will be fast enough to engage and move the cutting blade on the tool.**
- **Do not allow other persons in the general work area.** Ensure that other people and pets remain at least 15m away from the hedge trimmer when it is in use.
- **Never allow children to operate the hedge trimmer.**
- **Use both hands when operating the hedge trimmer. Using one hand could cause loss of control and result in serious personal injury.**
- **Do not overreach. Keep proper footing and balance at all times. Special care must be taken in slippery conditions (wet ground, snow) and in difficult, overgrown terrain. Watch for hidden obstacles such as tree stumps, roots and ditches to avoid fallen branches, scrub and cuttings. Be extremely cautious when working on slopes or uneven ground.**
- **Do not use on a ladder, rooftop, tree, or other unstable support.** Stable footing on a solid surface enables better control of the hedge trimmer in unexpected situations.
- **Observe the cutting blades at all times – do not cut any area if the hedge that you cannot see. When cutting the top of a taller hedge, check the other side of the hedge frequently for bystanders, animals and obstructions.**

- Check damaged parts before further use of the hedge trimmer. Check for alignment of moving parts, binding of moving parts, breakage of parts, mounting, and any other condition that may affect its operation.
- Check the blade and motor mounting bolts at frequent intervals for proper tightness. Also, visually inspect blade for damage (e.g., bent, cracked, and worn). Replace the blade only with a blade from EGO™.
- Replace the blade if it is bent or cracked. An unbalanced blade causes vibration that could damage the motor drive unit or cause personal injury.
- If the equipment should start to vibrate abnormally, stop the motor and check immediately for the cause. Vibration is generally a warning of trouble.
- The trimmer shall be used to cut stems less than 26mm thick.
- Trim only in daylight or in good artificial light.
- Do not use the battery-operated hedge trimmer in rain.

ADDITIONAL WARNINGS

- **Do not charge the battery pack in rain or in wet locations.**
- **Use only with battery packs and chargers listed in fig.A**
- The battery pack must be removed from the appliance before it is scrapped.
- The battery shall be disposed of safely.
- **Do not dispose of the battery in a fire.** The cells may explode. Check with local codes for possible special disposal instructions.
- **Do not open or mutilate the battery.** Released electrolyte is corrosive and may cause damage to the eyes or skin. It may be toxic if swallowed.

⚠ CAUTION! The electrolyte is a dilute sulfuric acid that is harmful to the skin and eyes. It is electrically conductive and corrosive.

- **Exercise care in handling batteries in order not to short the battery with conducting materials such as rings, bracelets, and keys.** The battery or conductor may overheat and cause burns.
- **Battery tools do not have to be plugged into an electrical outlet; therefore, they are always in operating condition.** Be aware of possible hazards even when the tool is not operating. Take care when performing maintenance or service.
- **Remove the battery pack before servicing, cleaning or removing material from the tool.**

- **Replacement Parts** - When servicing, use only identical EGO replacement parts. Use of any other accessory or attachment may increase the risk of injury.
- **Have your power tool serviced by a qualified repair person using only identical replacement parts.** This will ensure that the safety of the power tool is maintained.
- **Do not wash with a hose; avoid getting water in motor and electrical connections.**
- **Store the tool in a dry and high or locked location out of reach of children.**
- **If situations occur that are not covered in this manual, use care and good judgment. Contact the EGO Service Center for assistance.**
- **Save these instructions.** Refer to them frequently and use them to instruct others who may use this tool. If you lend this tool to someone else, also lend these instructions to them to prevent misuse of the product and possible injury.

SAVE THESE INSTRUCTIONS

NOTE: SEE YOUR POWER HEAD OPERATOR'S MANUAL FOR ADDITIONAL SPECIFIC SAFETY RULES.

SPECIFICATIONS

Blade Length	51 cm	
Cutting Capacity	26 mm	
Weight (Without battery pack)	2.20 kg	
Recommended Operating Temperature	0°C-40°C	
Recommended Storage Temperature	-20°C-70°C	
Measured sound power level L_{wa}	92.3 dB(A) K=2.72 dB(A)	
Sound pressure level at operator's ear L_{pa}	80.4 dB(A) K=3 dB(A)	
Guaranteed sound power level L_{wa} (measured according to 2000/14/EC)	95 dB(A)	
Valuation of vibration a_h	Front-assist handle	4.9 m/s ² K=1.5 m/s ²
	Rear handle	6.7 m/s ² K=1.5 m/s ²

- The above parameters are tested and measured equipped with power head PH1400E;
- The declared vibration total value has been measured in accordance with a standard test method and may be used for comparing one tool with another;

- The declared vibration total value may also be used in a preliminary assessment of exposure.

NOTICE: The vibration emission during actual use of the power tool can differ from the declared value in which the tool is used; In order to protect the operator, user should wear gloves and ear protectors in the actual conditions of use.

PACKING LIST

PART NAME	QUANTITY
Hedge Trimmer Attachment	1
Wrench	1
Blade Scabbard	1
Operator's Manual	1

DESCRIPTION

KNOW YOUR HEDGE TRIMMER ATTACHMENT (Fig. A)

1. Cutting Blade
2. Quadrant
3. Trigger
4. Hedge Trimmer Shaft
5. End Cap
6. Adjusting Lever
7. Gear Case
8. Wrench
9. Blade Scabbard
10. Tip Protector (Optional, SOLD SEPARATELY)

ASSEMBLY

⚠ WARNING: If any parts are damaged or missing, do not operate this product until the parts are replaced. Use of this product with damaged or missing parts could result in serious personal injury.

⚠ WARNING: Do not attempt to modify this product or create accessories not recommended for use with this hedge trimmer. Any such alteration or modification is misuse and could result in a hazardous condition leading to possibly serious personal injury.

⚠ WARNING: Never attach or adjust any attachment while the power head is running or with the battery installed. Failure to stop the motor and remove the battery may cause serious personal injury.

ADJUSTING THE CUTTING BLADE

When the hedge trimmer is removed from the package,

8

it is unfolded totally which the angle between the blade and the hedge trimmer shaft is 180° (Fig. B). It is recommended to adjust the cutting blade to a suitable working position before attaching it to the power head.

There are 9 possible working positions. The angle of the cutting blade can be adjusted upwards in 5 stages from 0° (straight) to 45°, including 0°, and downwards in 4 stages from 0° to 52° (right angle facing down) (Fig. C), not including 0°.

1. Press the trigger on the adjusting lever and meanwhile rotate the adjusting lever to adjust the cutting blade to the desired cutting position (Fig. D).
2. Once the desired position has been reached, release the trigger. An audible click indicates that the locking pin is engaged in the quadrant, right located into place (Fig. D).

Fig. D parts description see below:

D-1	Quadrant
D-2	Locking Pin

⚠ WARNING: To reduce the risk of injury, carry out the adjustment only when the cutting blades are at a standstill. Never touch the blades while making adjustments.

⚠ WARNING: To reduce the risk of injury, always stop the tool and fit the blade scabbard before moving the cutting blade to the storage position or from the storage position to the normal working position.

CONNECTING/REMOVING THE HEDGE TRIMMER ATTACHMENT TO THE POWER HEAD

This hedge trimmer attachment is designed for use with EGO 56V LITHIUM-ION Power Head PH1400E. Besides top cutting, there is a side-cutting position in the hedge trimmer shaft for connecting with the power head (Fig. E). Detail working techniques please see "WORKING TECHNIQUES" section in this manual.

Fig. E parts description see below:

E-1	Top Cut Position
E-2	Side Cut Position

See "INSTALLING AN ATTACHMENT TO THE POWER HEAD" section in the power head PH1400E operator's manual for connecting the hedge trimmer to the power head.

See "REMOVING THE ATTACHMENT FROM THE POWER HEAD" section in the power head PH1400E operator's manual to remove the hedge trimmer from the power head.

MOUNTING THE TIP PROTECTOR (Optional)

1. Use a hex wrench to remove the short bolt, plain washer, bush and nut at the end of the cutting blade

(Fig. F). Save the plain washer, bush and nut for reassembly.

Fig. F parts description see below:

F-1	Nut	F-3	Plain Washer
F-2	Bush	F-4	Short Bolt

- Align the tip protector with the bulge on the cutting blade and mount it into place. Secure it with the new long bolt and nut as well as the saved washer, bush and nut (Fig. G).

Fig. G parts description see below:

G-1	Nut	G-4	Bush
G-2	Tip Protector	G-5	Plain Washer
G-3	Nut	G-6	Long Bolt

OPERATION

⚠ DANGER: Never cut near power lines, electric cords, or other electric sources. If the cutting blades jam on any electrical cord or line, **DO NOT TOUCH THE CUTTING BLADE OR THE ALUMINUM POLE! THEY CAN BECOME ELECTRICALLY LIVE AND MAY BE VERY DANGEROUS.** Continue to hold the hedge trimmer by the insulated rear handle or lay it down and away from you in a safe manner. Disconnect the electrical service to the damaged line or cord before attempting to free the cutting blade from the line or cord. Contact with the cutting blade, other conductive parts of the hedge trimmer or live electric cords or lines will result in death by electrocution or serious injury.

⚠ WARNING: Do not allow familiarity with this product to make you careless. Remember that a careless fraction of a second is sufficient to inflict serious injury.

⚠ WARNING: Always wear eye protection, along with hearing protection. Failure to do so could result in objects being thrown into your eyes and other possible serious injuries.

Before each use, inspect the entire product for damaged, missing, or loose parts such as screws, nuts, bolts, caps, etc. Tighten securely all fasteners and caps and do not operate this product until all missing or damaged parts are replaced.

⚠ WARNING: To prevent serious personal injury, remove the battery pack from the tool before servicing, cleaning, changing attachments or removing material from the unit.

After each use, clean the tool.

See the Maintenance section for cleaning instructions.

APPLICATIONS

You may use this product for trimming the hedges, shrubs, scrub, bushes and similar material with a branch diameter of less than Ø26 mm.

NOTICE: The tool is to be used only for its prescribed purpose. Any other use is deemed to be a case of misuse.

USING THE HEDGE TRIMMER WITH POWER HEAD

⚠ WARNING: Dress properly to reduce the risk of injury when operating this tool. Do not wear loose clothing or jewelry. Wear eye and ear/hearing protection. Wear heavy, long pants, boots and gloves. Do not wear short pants or sandals or go barefoot.

PREPARATION FOR CUTTING:

- Adjusting the cutting blade to the desired working position.
- Remove the blade scabbard from the cutting blade.
- For safe and better operation, put on the shoulder strap across the shoulder. Adjust the shoulder strap into a comfortable operating position. Following the instructions in the section "**MOUNTING THE SHOULDER STRAP**" in PH1400E operator's manual to attach the shoulder strap onto the power head.

⚠ WARNING: The shoulder strap is also a quick release mechanism in hazardous situation. When an emergency occurs, take it off your shoulder immediately, no matter what way the strap is in.

WORKING TECHNIQUES

- Horizontal Cutting (with cutting blade at an angle):** Cut close to the ground from a standing position, e.g. low shrubs.

Swing the cutting blade up and down as you move along the hedge – use both sides of the cutting blades, do not rest the cutter blade on the ground (Fig. H).

- Horizontal Cutting (with straight cutting blade)**

Hold the cutting blade at an angle of 0° to 10° as you swing the hedge trimmer horizontally. Swing the cutting blade in an arc towards the outsides of the hedge so that the cuttings are swept to the ground (Fig. I, J & K).

Recommendation: Only cut hedges that are no more than chest height in this working position.

- Vertical Cutting (with cutting blade at an angle):** Cutting without standing directly next to the hedge, e.g. flowerbed between operator and hedge.

In this cutting position, for your better control of the hedge trimmer, it is recommended that connect the hedge trimmer with the power head at the side-cutting position (see Fig. E).

Swing the cutting blade up and down in an arc as you move along the hedge – use both sides of the cutting blade (Fig. L).

- **Vertical Cutting (with straight cutting blade):** Extra long reach without the need for other aids.

Swing the cutting blade up and down in an arc as you move along the hedge – use both sides of the cutting blade (Fig. M).

- **Overhead Cutting (with cutting blade at an angle)**

Hold the hedge trimmer vertically and swing it in an arc to make maximum use of its reach (Fig. N). For extreme high hedge, the extension pole is suitable for aids in trimming.

⚠ WARNING: Any working position above head height is tiring. To minimize the risk of accidents, work in such positions for short periods only. Set angle of adjustable cutting blade to maximum so that the tool can be held in a lower, less tiring position (with shoulder strap) while still providing adequate reach.

TO START/STOP THE TOOL

See “STARTING/STOPPING THE POWER HEAD” section in the power head PH1400E operator’s manual.

MAINTENANCE

⚠ WARNING: Before inspecting, cleaning or servicing the unit, stop the motor, wait for all moving parts to stop, and remove the battery pack. Failure to follow these instructions can result in serious personal injury or property damage.

⚠ WARNING: When servicing, use only identical replacement parts. Use of any other parts can create a hazard or cause product damage. To ensure safety and reliability, all repairs should be performed by a qualified service technician.

GENERAL MAINTENANCE

Avoid using solvents when cleaning plastic parts. Most plastics are susceptible to damage from various types of commercial solvents and may be damaged by their use. Use clean cloths to remove dirt, dust, oil, grease, etc.

CLEAN THE UNIT

- Use a soft brush to remove debris from all air intakes and cutting blade.
- To remove pitch and other sticky residue, spray the blades with resin solvent. Run the motor briefly so that the solvent is evenly distributed.
- Do not use any strong detergents on the plastic housing or the handle. They can be damaged by certain aromatic oils, such as pine and lemon, and by solvents such as kerosene. Moisture can also cause a shock hazard. Wipe off any moisture with a soft dry cloth. Never use water for cleaning the tool.

SHARPENING THE CUTTING BLADE

When cutting performance and behavior begin to deteriorate, i.e. blades frequently snag on branches: Resharpener the cutting blades.

It is recommended to have the cutting blades resharpened by a qualified service technician.

NOTICE: Do not operate your hedge trimmer with dull or damaged cutting blades. This may cause overload and will give unsatisfactory cutting results.

LUBRICATING THE BLADE

To prevent rust, it is recommended to lubricate the blades with anti-rusting oil when it is stored for long time.

⚠ WARNING: Blades are sharp. When handling the blade assembly, wear non-slip, heavy-duty protective gloves. Do not place your hand or fingers between blades or in any position where they could get pinched or cut. NEVER touch blades or service the unit with battery pack installed.

TRANSMISSION GEARS LUBRICATION

The transmission gears in the gear case need to be lubricated periodically with gear grease. Check the gear case grease level about every 50 hours of operation by removing the sealing screw on the gear case. There are three sealing screws with one on the side and two on the top.

If no grease can be seen on the flanks of the gear, follow the steps below to fill with gear grease up to 3/4 capacity.

Do not completely fill the transmission gears.

1. Depending on which screw you are removing, hold the hedge trimmer on its side or lay it on its back so that the sealing screw to be removed is facing upwards (Fig. O & P).
2. Use the wrench provided to loosen and remove the sealing screw.

3. Use a grease syringe (not included) to inject some grease into the screw hole; do not exceed 3/4 capacity.
4. Tighten the sealing screw after injection.

STORING THE UNIT

- Remove the battery pack from the tool.
- Clean the tool thoroughly before storing it.
- Put on the blade scabbard onto the cutting blade before storing or transporting. Use caution to avoid the sharp teeth of the blades.
- If the hedge trimmer is removed from the power head and stored separately, fit the end cap on the attachment shaft to avoid dirt getting into the coupler.
- Store the unit in a dry, well-ventilated area, locked-up or up high, out of the reach of children. Do not store the unit on or adjacent to fertilizers, gasoline, or other chemicals.

Protecting the environment



Do not dispose of electrical equipment, battery charger and batteries/ rechargeable batteries into household waste!

According to the European law 2012/19/EU, electrical and electronic equipment that is no longer usable, and according to the European law 2006/66/EC, defective or used battery packs/batteries, must be collected separately.

If electrical appliances are disposed of in landfills or dumps, hazardous substances can leak into the groundwater and get into the food chain, damaging your health and well-being

EN

KRESSVAN DER'SBEKE
TUUTUWI BULLAR BIKINA ENGINEERING BILIRWAIJAK



EN TROUBLESHOOTING

PROBLEM	CAUSE	SOLUTION
Hedge Trimmer does not work.	<ul style="list-style-type: none">■ The battery pack is not attached to the hedge trimmer.■ No electrical contact between the hedge trimmer and battery.■ The battery pack is depleted.■ The lock-off button is not depressed before pressing the trigger.■ The battery pack or power head is too hot.■ The blade is jammed.■ The hedge trimmer is not well connected with the power head.	<ul style="list-style-type: none">■ Attach the battery pack to the hedge trimmer.■ Remove battery, check contacts and reinstall the battery pack.■ Charge the battery pack.■ Press down the lock-off lever and hold it, then depress the trigger to turn on the tool.■ Allow the battery pack or power head to cool until the temperature drops below 67°C .■ Remove the battery pack from the tool. Remove the obstruction carefully and then reinsert the battery and restart the tool.■ Disconnect the hedge trimmer from the power head. Reconnect them following the section “INSTALLING AN ATTACHMENT TO THE POWER HEAD” in PH1400E operator’s manual.
Excessive vibration or noise.	<ul style="list-style-type: none">■ Dry or corroded blades.■ Blades or blade support is bent.■ Bent or damaged teeth.■ Loose blade bolts.	<ul style="list-style-type: none">■ Lubricate the blades.■ Replace with a new blade or support. Contact EGO service center for blade or support replacement.■ Replace with a new blade or support. Contact EGO service center for blade or support replacement.■ Tighten the blade bolts. Using a wrench, (not included), turn the bolt clockwise to tighten.

WARRANTY

EGO WARRANTY POLICY

Please visit the website egopowerplus.com for full terms and conditions of the EGO Warranty policy.

LESEN SIE ALLE ANWEISUNGEN!



LESEN SIE DIE BEDIENTUNGSANLEITUNG

⚠ Restrisiko! Menschen mit elektronischen Geräten, wie z.B. Herzschrittmachern, sollten ihren Arzt konsultieren, bevor sie dieses Gerät verwenden. Die Bedienung von Elektrogeräten in unmittelbarer Nähe zu Herzschrittmachern kann zu Interferenzen und Störungen des Schrittmachers führen.

⚠ WARNUNG: Um die Sicherheit und Zuverlässigkeit zu gewährleisten, sollten alle Reparaturen und der Austausch von Teilen nur von qualifizierten Servicetechnikern durchgeführt werden.

SICHERHEITSSYMBOL

Der Zweck von Warnsymbolen besteht darin, Ihre Aufmerksamkeit auf mögliche Gefahren zu lenken. Die Warnsymbole und deren Erklärungen verdienen Ihre vollste Aufmerksamkeit und Beachtung. Durch die Warnsymbole allein sind die Gefahren noch nicht ausgeschaltet. Die Anweisungen und Warnhinweise stellen keinen Ersatz für angemessene Unfallverhütungsmaßnahmen dar.

⚠ WARNUNG: Achten Sie darauf, dass Sie, bevor Sie das Gerät benutzen, alle Sicherheitsanweisungen dieser Bedienungsanleitung gelesen und verstanden haben, einschließlich aller Gefahrenzeichen wie „**VORSICHT**“, „**WARNUNG**“ und „**ACHTUNG**“. Die Nichtbeachtung der unten angeführten Anweisungen kann zu Stromschlägen, Feuer und/oder schweren Personenschäden führen.

SYMBOLBEDEUTUNG

⚠ SYMBOL FÜR SICHERHEITSWARNUNGEN: Weist auf **GEFAHR**, eine **WARNUNG** oder **VORSICHT** hin. Kann zusammen mit anderen Symbolen oder Bildern verwendet werden.









⚠ WARNUNG: Die Bedienung von Elektrogeräten kann dazu führen, dass Fremdkörper in Ihre Augen geschleudert werden und Sie dadurch schwerwiegende Augenschäden davontragen. Tragen Sie immer eine Schutzbrille, wenn möglich mit Seitenschutz, oder, falls nötig, einen vollen Gesichtsschutz, bevor Sie Arbeiten mit dem Elektrowerkzeug verrichten. Wir empfehlen Ihnen, einen Gesichtsschutz über Ihrer eigenen Brille oder eine herkömmliche Schutzbrille mit Seitenschutz zu tragen.

SICHERHEITSHINWEISE

Diese Seite zeigt und beschreibt die Sicherheitssymbole, die auf diesem Produkt erscheinen können. Lesen, verstehen und befolgen Sie die Anleitungen auf der Maschine, bevor Sie versuchen, die Maschine zusammenzubauen oder zu bedienen.

DE

	Sicherheitswarnung	Weist auf mögliche Verletzungsgefahr hin.
	Lesen Sie Die Bedienungsanleitung	Um das Verletzungsrisiko zu verringern, muss der Benutzer die Bedienungsanleitung vor der Benutzung des Gerätes gelesen und verstanden haben.
	Augenschutz tragen	Tragen Sie immer eine Schutzbrille, möglichst mit Seitenschutz, und einen Gesichtsschutz, wenn Sie das Gerät bedienen.
	Kopfschutz tragen	Tragen Sie einen geprüften Helm, um Ihren Kopf zu schützen.
	Tragen Sie einen Gehörschutz.	Tragen Sie immer einen Gehörschutz, wenn Sie das Gerät bedienen.
	Messlänge Schn-eiden	Die Länge des Messers
	Kapazität	Max. Schnittleistung des Messers

	Halten Sie Hände und Füße von dem Schneidwerkzeug fern.	Versuchen Sie niemals, Ihr Elektrowerkzeug mit einer Hand zu benutzen. Es kann zum Kontrollverlust kommen, der schwere oder gar tödliche Verletzungen zur Folge haben kann. Um das Risiko von Schnittverletzungen zu verringern, halten Sie Hände und Füße von dem Schneidwerkzeug fern. Berühren Sie niemals ein Schneidwerkzeug, das in Bewegung ist, mit Ihrer Hand oder einem anderen Körperteil.
	Unbefugte Personen fernhalten	Stellen Sie bei Betrieb sicher, dass andere Personen und Haustiere mindestens 15 m von der Stabheckenschere entfernt sind.
	Vor Regen schützen	Nicht im Regen verwenden oder bei Regen im Freien liegen lassen.
IPX4	IP-Symbol	Grad-4-Schutz gegen das Eindringen von Wasser
	CE	Dieses Produkt erfüllt die anwendbaren EG-Richtlinien.
	WEEE	Elektro- und Elektronik-Altgeräte dürfen nicht im Hausmüll entsorgt werden. Bringen Sie das Gerät zu einem zugelassenen Recyclinghof.
	Lärm	Garantierter Schalleistungspegel. Geräuschemission an die Umgebung gemäß Richtlinie der Europäischen Gemeinschaft.
V	Volt	Spannung
mm	Millimeter	Länge oder Größe
cm	Zentimeter	Länge oder Größe
kg	Kilogramm	Gewicht

WICHTIGE SICHERHEITSHINWEISE

⚠️ WARNUNG: Beim Gebrauch von elektrischen Schneidegeräten sollten stets grundlegende Sicherheitsvorkehrungen beachtet werden, um das Risiko eines Brandes, Stromschlags und von Verletzungen zu reduzieren, darunter die folgenden:

AUFMERKSAM VOR DEM GEBRAUCH LESEN ZUM

NACHSCHLAGEN AUFBEWAHREN

⚠️ VORSICHT! Nicht in der Nähe von Stromleitungen arbeiten. Das Gerät bietet keinen Schutz vor Stromschlag bei Berührung von Oberleitungen. Beachten Sie die örtlichen Bestimmungen über Sicherheitsabstände zu Stromleitungen und gewährleisten Sie vor dem Betrieb des Gerätes eine sichere Arbeitsposition.

WARNHINWEISE ZUR HECKENSCHERE

⚠️ VORSICHT! Hände von dem Messer fernhalten. Bei Kontakt mit dem Messer werden Sie sich schwere Verletzungen zuziehen.

- Halten Sie alle Körperteile vom Messer fern. Wenn die Messer in Bewegung sind, darf das Schnittgut nicht festgehalten oder mit der Hand entfernt werden. Stellen Sie sicher, dass der Schalter in der Aus-Position ist, wenn Sie eingeklemmtes Material entfernen. Ein Moment der Unachtsamkeit bei der Arbeit mit der Heckenschere kann zu schweren Verletzungen führen.
- Zu Geräten mit einer bestimmten Transportposition (Messer flach an das Heckenscheren-Antriebsrohr geklappt): Starten Sie das Gerät niemals in der Transportposition. Die Messer sind in dieser Position nicht eingekuppelt und Sie können nicht sehen, ob sie im Leerlauf anhalten, wenn Sie das Messer auf die gewünschte Schnittposition (in der die Messer eingekuppelt sind) einstellen wollen.
- Tragen Sie die Heckenschere am Griff und nur wenn das Messer stillsteht. Wenn Sie die Heckenschere transportieren oder lagern, befestigen Sie immer die Schutzabdeckung der Schneidvorrichtung. Durch eine sachgemäße Handhabung der Heckenschere senken Sie das Verletzungsrisiko durch die Messer.
- Beim Aufheben oder Festhalten der Heckenschere nicht die frei liegenden Messer oder Schneidkanten anfassen.
- Halten Sie das Elektrowerkzeug nur an den isolierten Halteflächen fest. Es ist nicht auszuschließen, dass verdeckt verlegte Kabel vom Schneidmesser berührt werden. Treffen die Messer auf ein Strom führendes Kabel, besteht die Gefahr, dass die blanken Metallteile des Elektrowerkzeugs

ebenfalls Strom führen, sodass für den Bediener Stromschlaggefahr besteht.

- **Halten Sie das Kabel vom Schnittbereich fern.** Während der Arbeiten kann das Kabel von Büschen oder Hecken verdeckt werden und vom Messer versehentlich durchtrennt werden.
- **Untersuchen Sie die Hecke vor dem Schneiden auf Fremdkörper, z.B. Drahtzäune.**
- **Um das Verletzungsrisiko durch einen Kontakt mit dem Messer zu verringern, unbedingt sicherstellen, dass das Messer sich außerhalb der Reichweite Ihres Körpers und aller sonstigen Hindernisse und Gegenstände sowie des Bodens befindet. Wenn das Werkzeug startet, ist die Motordrehzahl hoch genug, um das Messer am Gerät einzukuppeln und zu bewegen.**
- **Halten Sie andere Personen von dem allgemeinen Arbeitsbereich fern.** Stellen Sie bei Betrieb sicher, dass andere Personen und Haustiere mindestens 15 m von der Stabheckenschere entfernt sind.
- **Verbieten Sie Kindern den Umgang mit der Heckenschere.**
- **Benutzen Sie beim Gebrauch der Heckenschere beide Hände. Die Benutzung nur einer Hand kann zum Kontrollverlust führen und schwere Verletzungen verursachen.**
- **Übernehmen Sie sich nicht. Achten Sie stets auf einen festen Stand und halten Sie das Gleichgewicht. Lassen Sie besondere Vorsicht bei glatten Bedingungen (nasser Boden, Schnee) und auf schwierigem, verwildertem Gelände walten. Achten Sie auf verborgene Hindernisse wie Baumstümpfe, Wurzeln und Gräben, um nicht zu stolpern. Seien Sie besonders vorsichtig, wenn Sie an Hängen oder auf unebenem Untergrund arbeiten.**
- **Nicht auf Leitern, Dächern, Bäumen oder anderen instabilen Untergründen verwenden.** Durch einen sicheren Halt auf festem Untergrund lässt sich die Heckenschere auch in unerwarteten Situation besser unter Kontrolle halten.
- **Lassen Sie die Messer nie aus den Augen - schneiden Sie keine Stellen der Hecke, die Sie nicht sehen können. Wenn Sie die Oberseite einer höheren Hecke schneiden, prüfen Sie regelmäßig, ob sich auf der anderen Seite der Hecke andere Personen, Tiere oder Hindernisse befinden.**
- Prüfen Sie beschädigte Teile, bevor Sie die Heckenschere weiter benutzen. Überprüfen Sie die Montage, prüfen Sie bewegliche Teile auf die korrekte Justierung, suchen Sie nach klemmenden Teilen, Bruchstellen und sonstigen Umständen, die die Funktion beeinträchtigen können.

- Prüfen Sie regelmäßig, ob die Schrauben des Messers und des Motors fest angezogen sind. Prüfen Sie das Messer auf Schäden (z. B. verbogene Stellen, Risse und Abnutzung). Wechseln Sie die Klinge nur durch eine Klinge von EGO™ aus.
- Wechseln Sie das Messer aus, falls es verbogen oder gerissen ist. Ein unsymmetrisches Messer verursacht Vibrationen, die den Motorantrieb beschädigen oder Verletzungen verursachen können.
- Falls das Gerät ungewöhnlich zu vibrieren beginnt, schalten Sie den Motor aus und suchen Sie sofort nach der Ursache. Vibrationen weisen im Allgemeinen auf Probleme hin.
- Die Heckenschere sollte zum Schneiden von Zweigen, die dünner als (26 mm) sind, verwendet werden.
- Schneiden Sie nur bei Tageslicht oder guter künstlicher Beleuchtung.
- Benutzen Sie die akkubetriebene Heckenschere nicht im Regen.

WEITERE WARNHINWEISE

- **Den Akku nicht im Regen oder an nassen Orten aufladen.**
- **Nur mit akkus und ladegeräten verwenden, die in abb. A aufgeführt sind.**
- Vor dem Entsorgen muss der Akku aus dem Gerät entfernt werden.
- Der Akku muss sicher entsorgt werden.
- **Akkus nicht ins Feuer werfen.** Die Zellen können explodieren. Besondere Anweisungen für die Entsorgung sind den örtlichen Vorschriften zu entnehmen.
- **Den Akku nicht öffnen oder zerstören.** Der auslaufende Elektrolyt ist ätzend und kann Augen oder Haut schädigen. Bei Verschlucken besteht Vergiftungsgefahr.

⚠ VORSICHT! Der Elektrolyt besteht aus verdünnter Schwefelsäure und ist schädlich für Haut und Augen. Er ist leitfähig und korrosiv.

- **Lassen Sie beim Umgang mit dem Akku Vorsicht walten, um den Akku nicht mit leitenden Materialien wie Ringen, Armbändern und Schlüsseln kurzzuschließen.** Der Akku oder der elektrische Leiter können überhitzen und Verbrennungen verursachen.
- **Akkubetriebene Werkzeuge müssen nicht an eine Steckdose angeschlossen werden; sie sind daher immer einsatzbereit.** Seien Sie sich möglicher Gefahren bewusst, selbst wenn das Werkzeug nicht eingeschaltet ist. Lassen Sie bei Wartungsarbeiten oder Reparaturen Vorsicht walten.

- Entfernen Sie den Akku, bevor Sie das Gerät reparieren, reinigen oder Material aus dem Gerät entfernen.
- Ersatzteile - Verwenden Sie für die Wartung nur identische EGO Ersatzteile. Bei anderen Zubehörteilen oder Aufsätzen besteht erhöhte Verletzungsgefahr.
- Lassen Sie Ihr Elektrowerkzeug von einer qualifizierten Fachkraft und nur unter Verwendung baugleicher Ersatzteile reparieren. Nur so kann die Sicherheit des Elektrowerkzeugs gewährleistet werden.
- Waschen Sie das Gerät nicht mit dem Wasserschlauch; lassen Sie kein Wasser in den Motor und die elektrischen Verbindungen gelangen.
- Lagern Sie das Werkzeug an einer trockenen und hohen oder abgeschlossenen, für Kinder unzugänglichen Stelle auf.
- Falls Situationen auftreten, die nicht in dieser Bedienungsanleitung behandelt werden, gehen Sie vorsichtig und vernünftig vor. Reparaturanfragen richten Sie bitte an das EGO-Servicezentrum.
- Heben Sie diese Anleitung auf. Schlagen Sie gegebenenfalls darin nach und verwenden Sie sie, um Andere in die Verwendung des Geräts einzuweisen. Falls Sie dieses Werkzeug an Andere verleihen, händigen Sie ihnen auch diese Anleitung aus, um einem Missbrauch des Geräts und möglichen Verletzungen vorzubeugen.

HEBEN SIE DIESE ANLEITUNG AUF

ANMERKUNG: WEITERE SPEZIFISCHE SICHERHEITSHINWEISE FINDEN SIE IN DER BETRIEBSANLEITUNG IHRES KOMBIMOTORS.

TECHNISCHE DATEN

Messerlänge	51 cm
Schnittleistung	26 mm
Gewicht (ohne Akku)	2,20 kg
Empfohlene Betriebstemperatur	0°C - 40°C
Empfohlene Lagertemperatur	-20°C-70°C
Gemessener Schalleistungspegel L _{WA}	92,3 dB(A) K=2,72 dB(A)
Schalldruckpegel am Ohr des Bedieners L _{PA}	80,4 dB(A) K=3 dB(A)
Gewährleisteter Schalleistungspegel L _{WA} (nach 2000/14/EG)	95 dB(A)

Vibration a _h	Vorderer Haltegriff	4,9 m/s ² K=1,5 m/s ²
	Hinterer Griff	6,7 m/s ² K=1,5 m/s ²

- Oben genannte Parameter wurden mit dem Kombimotor PH1400E getestet und gemessen.
- Der angegebene Schwingungs-Gesamtwert wurde in Übereinstimmung mit einer Standard-Testmethode gemessen und kann verwendet werden, um Werkzeuge miteinander zu vergleichen.
- Der angegebene Schwingungs-Gesamtwert kann auch als einleitende Feststellung der Belastung verwendet werden.

HINWEIS: Die Schwingungsemissionen während des eigentlichen Betriebs des Elektrowerkzeuges können sich von dem angegebenen Wert, in dem das Werkzeug genutzt wird, unterscheiden. Zum Schutz des Benutzers sollten Handschuhe und ein Gehörschutz während des Betriebs getragen werden.

PACKLISTE

TEILNAME	MENGE
Stabheckenscheren-Anbauwerkzeug	1
Schraubenschlüssel	1
Messerscheide	1
Bedienungsanleitung	1

BESCHREIBUNG

AUFBAU IHRES STABHECKENSCHEREN-ANBAUWERKZEUGS (Abb. A)

1. Messer
2. Zahnrad
3. Auslöser
4. Stabheckenscheren-Antriebsrohr
5. Flexible Muffe
6. Endkappe
7. Einstellhebel
8. Getriebegehäuse
9. Schraubenschlüssel
10. Messerscheide
11. Führungsschutz (Optional, SEPARAT ERHÄLTLICH)

MONTAGE

⚠️ WARNUNG: Wenn irgendwelche Teile beschädigt sind oder fehlen, dann verwenden Sie das Produkt nicht, bis alle Teile ersetzt worden sind. Die Verwendung dieses

Produkts mit beschädigten oder fehlenden Teilen kann zu schweren Verletzungen führen.

⚠️ WARNUNG: Versuchen Sie nicht, dieses Produkt zu verändern oder Zubehörteile zu verwenden, die nicht für die Benutzung mit diesem Hochentaster empfohlen sind. Derartige Änderungen oder Umbauten stellen einen unsachgemäßen Gebrauch dar und können zu gefährlichen Umständen und ernsthaften Verletzungen führen.

⚠️ WARNUNG: Anbauwerkzeuge dürfen in keinem Fall bei laufendem Kombimotor oder mit eingesetztem Akku installiert oder eingestellt werden. Der Motor muss ausgeschaltet und der Akku abgenommen werden, da sonst die Gefahr schwerer Verletzungen besteht.

EINSTELLEN DES MESSERS

Beim Auspacken ist die Stabheckenschere in ihrer Lagerposition; d. h., das Messer ist an das Antriebsrohr geklappt (Abb. B). Es empfiehlt sich das Messer in eine passende Arbeitsposition zu bringen, bevor es am Kombimotor befestigt wird.

Es gibt 12 mögliche Arbeitspositionen. Der Winkel des Messers kann in 5 Stufen nach oben - von 0° (gerade) bis 45°, einschließlich 0°, - eingestellt werden und in 7 Stufen nach unten - von 0° bis 90° (rechter Winkel nach unten zeigend) (Abb. C), 0° nicht eingeschlossen.

1. Drücken Sie den Auslöser am Einstellhebel und drehen Sie den Einstellhebel gleichzeitig, um das Messer in die gewünschte Schnittposition zu stellen (Abb. D).
2. Lassen Sie den Auslöser los, sobald das Messer in der gewünschten Position ist. Ein hörbares Klickgeräusch signalisiert, dass der Sicherungsstift im Zahnrad eingerastet ist (Abb. D).

Teilebezeichnung der Abb. D:

D-1	Zahnrad
D-2	Sicherungsstift

⚠️ WARNUNG: Um die Verletzungsgefahr zu verringern, nehmen Sie die Einstellungen nur vor, wenn die Messer stillstehen. Berühren Sie die Messer unter keinen Umständen, während Sie Einstellungen vornehmen.

⚠️ WARNUNG: Um die Verletzungsgefahr zu verringern, halten Sie das Werkzeug immer an und setzen Sie die Messerscheide auf, bevor Sie das Messer in die Lagerposition oder von der Lagerposition in die normale Arbeitsposition klappen.

INSTALLIEREN/ENTFERNEN DES STABHECKENSCHEREN-ANBAUWERKZEUGS AM/ VOM KOMBIMOTOR

Dieses Stabheckenscheren-Anbauwerkzeug ist zur Verwendung mit dem EGO Kombimotor PH1400E mit 56V LITHIUM-IONEN-AKKU bestimmt. Neben der Buchse für die obere Schnittposition gibt es noch eine Buchse für eine seitliche Schnittposition am Antriebsrohr der Stabheckenschere zum Anschließen des Kombimotors (Abb. E). Um mehr über die Arbeitsmethoden zu erfahren, sehen Sie bitte den Abschnitt „ARBEITSMETHODEN“ in dieser Bedienungsanleitung.

Teilebezeichnung der Abb. E:

E-1	Obere Schnittposition
E-2	Seitliche Schnittposition

Lesen Sie den Abschnitt „INSTALLIEREN EINES ANBAUWERKZEUGS AM KOMBIMOTOR“ im Handbuch des PH1400E Kombimotors, um die Heckenschere mit dem Kombimotor zu verbinden.

Lesen Sie den Abschnitt „ENTFERNEN DES ANBAUWERKZEUGS VOM KOMBIMOTOR“ im Handbuch des PH1400E Kombimotors, um die Heckenschere vom Kombimotor zu entfernen.

ANBRINGUNG DES FÜHRUNGSSCHUTZES (Optional)

1. Benutzen Sie einen Sechskantschlüssel, um den kurzen Bolzen, die Unterlegscheibe, die Buchse und die Mutter an der Messerspitze zu entfernen (Abb. F). Bewahren Sie Unterlegscheibe, Buchse und Mutter für die Remontage auf.

Teilebezeichnung der Abb. F:

F-1	Mutter	F-3	Unterlegscheibe
F-2	Buchse	F-4	kurzer Bolzen

2. Richten Sie den Führungsschutz auf die Ausbuchtung am Messer aus und montieren Sie den Führungsschutz. Fixieren Sie den Führungsschutz mit dem neuen langen Bolzen und der Mutter sowie der Unterlegscheibe, Buchse und Mutter, die Sie zuvor zur Seite gelegt haben (Abb. G).

Teilebezeichnung der Abb. G:

G-1	Mutter	G-4	Buchse
G-2	Führungsschutz	G-5	Unterlegscheibe
G-3	Mutter	G-6	Langer Bolzen

BEDIENUNG

⚠️ VORSICHT: Auf keinen Fall in der Nähe von Hochspannungsleitungen, Stromkabeln oder anderen Stromquellen arbeiten. Sollten die Messer an einer Stromleitung hängenbleiben, **DÜRFEN DIE MESSER ODER DIE ALUMINIUMSTANGE NICHT BERÜHRT WERDEN! SIE KÖNNEN STROM FÜHREN UND SEHR GEFÄHRLICH SEIN.**

Halten Sie die Stabheckenschere weiterhin am isolierten hinteren Griff fest oder legen Sie die Stabheckenschere in sicherem Abstand vorsichtig auf den Boden. Stellen Sie die Stromversorgung der beschädigten Leitung oder des Kabels ab, bevor Sie versuchen, das Messer aus der Elektroleitung zu entfernen. Eine Berührung des Messers, anderer leitender Teile der Stabheckenschere oder stromführender Stromleitungen wird zum Tod durch Stromschlag oder zu schweren Verletzungen führen.

⚠️ WARNUNG: Vermeiden Sie es, dass die Vertrautheit mit dem Produkt zu Nachlässigkeit führt. Denken Sie daran, dass ein kurzer Moment der Unachtsamkeit zu ernsthaften Verletzungen führen kann.

⚠️ WARNUNG: Tragen Sie immer einen Augenschutz mit Seitenschutz. Andernfalls besteht die Gefahr, dass Gegenstände in Ihre Augen geschleudert werden oder andere schwere Verletzungen hervorgerufen werden.

Inspezieren Sie das gesamte Produkt vor jeder Benutzung auf beschädigte, fehlende oder lockere Teile, wie z. B. Schrauben, Muttern, Bolzen, Abdeckungen usw. Ziehen Sie alle Befestigungsteile und Abdeckungen an und bedienen Sie das Produkt nicht, bis alle beschädigten oder fehlenden Teile ersetzt worden sind.

⚠️ WARNUNG: Um schwere Verletzungen zu verhindern, nehmen Sie den Akku vom Motor ab, bevor Sie das Gerät warten, reinigen, Anbauwerkzeuge auswechseln oder Material aus dem Gerät entfernen.

Reinigen Sie das Werkzeug nach jedem Gebrauch.

Siehe dazu die Reinigungsanleitungen im Abschnitt „Wartung“.

ANWENDUNGEN

Dieses Produkt eignet sich für das Schneiden von Hecken, Sträuchern, Gestrüpp, Büschen und ähnlichem Material mit einem Zweigdurchmesser unter \varnothing 26 mm.

HINWEIS: Das Gerät darf nur für seinen vorgeschriebenen Zweck verwendet werden. Jede andere Verwendung gilt als Missbrauch.

VERWENDUNG DER STABHECKENSCHERE MIT DEM KOMBIMOTOR

⚠️ WARNUNG: Tragen Sie geeignete Kleidung, um das Verletzungsrisiko bei der Benutzung dieses Geräts zu reduzieren. Tragen Sie keine weite Kleidung oder Schmuck. Tragen Sie einen Augen- und Gehörschutz. Tragen Sie dicke, lange Hosen, Stiefel und Handschuhe. Tragen Sie keine kurze Hose oder Sandalen und gehen Sie nicht barfuß.

VORBEREITUNG ZUM SCHNEIDEN:

1. Stellen Sie das Messer in die gewünschte Arbeitsposition.
2. Entfernen Sie die Messerschneide vom Messer.
3. Legen Sie zum sicheren und einfacheren Arbeiten den Schultergurt an. Passen Sie den Schultergurt so an, dass die Arbeitsposition bequem ist. Folgen Sie den Anleitungen in dem Abschnitt „**BEFESTIGUNG DES SCHULTERGURTES**“ in dem PH1400E Handbuch, um den Schultergurt am Kombimotor anzubringen.

⚠️ WARNUNG: Der Schultergurt ist zudem ein Schnelllösemechanismus in gefährlichen Situationen. Nehmen Sie ihn bei einem Notfall sofort von Ihrer Schulter, ganz gleich in welcher Weise der Schultergurt umgelegt ist.

ARBEITSMETHODEN

- **Waagrechtes Schneiden (mit angewinkeltem Messer):** In einer stehenden Position nahe am Boden schneiden, z. B. niedriges Gebüsch.

Schwenken Sie das Messer hin und her, während Sie sich entlang der Hecke bewegen - benutzen Sie beide Seiten des Messers, setzen Sie das Messer nicht auf dem Boden ab (Abb. H).

- **Waagrechtes Schneiden (mit geradem Messer):**

Halten Sie das Messer leicht schräg, in einem Winkel von 0° bis 10° , während Sie die Stabheckenschere waagrecht schwenken. Schwenken Sie das Messer in einem Bogen in Richtung der Außenseiten der Hecke, sodass die Schnittabfälle auf den Boden gefegt werden (Abb. I, J & K).

Empfehlung: Schneiden Sie in dieser Arbeitsposition nur Hecken, die maximal bis zu Ihrer Brust reichen.

- **Senkrecht Schneiden (mit angewinkeltem Messer):** Schneiden, ohne direkt neben der Hecke zu stehen, z. B. mit einem Blumenbeet zwischen Benutzer und Hecke.

In dieser Schnittposition empfiehlt es sich, die Heckenschere in der Öffnung für die seitliche Schnittposition am Kombimotor anzubringen, damit Sie die Stabheckenschere besser kontrollieren können (siehe Abb. E).

Schwingen Sie das Messer in einem Bogen nach oben und unten, während Sie sich entlang der Hecke bewegen - benutzen Sie beide Seiten des Messers (Abb. L).

- **Senkrecht Schneiden (mit geradem Messer):** Extragroße Reichweite, ohne dass andere Hilfsmittel benötigt werden.

Schwenken Sie das Messer in einem Bogen nach oben und unten, während Sie sich entlang der Hecke bewegen - benutzen Sie beide Seiten des Messers (Abb. M).

■ **Über Kopfhöhe Schneiden (mit angewinkeltem Messer)**

Halten Sie die Heckenschere senkrecht und schwenken Sie sie in einem Bogen, um ihre Reichweite optimal auszunutzen (Abb. N). Bei extrem hohen Hecken kann das Verlängerungsrohr als Hilfsmittel zum Schneiden benutzt werden.

⚠️ WARNUNG: Jede Arbeitsposition über Kopfhöhe ist ermüdend. Arbeiten Sie in solchen Positionen immer nur kurze Zeit lang, um das Unfallrisiko zu minimieren. Stellen Sie den Winkel des einstellbaren Messers auf Maximum, sodass das Werkzeug in einer niedrigeren, weniger ermüdenden Position (mit Schultergurt) gehalten werden kann und gleichzeitig eine angemessene Reichweite bietet.

START/STOPP DES WERKZEUGS

Siehe Abschnitt „**START/STOPP DES KOMBIMOTORS**“ in der Betriebsanleitung des Kombimotors PH1400E.

WARTUNG

⚠️ WARNUNG: Vor Überprüfung, Reinigung oder Reparatur des Geräts den Motor ausschalten, warten, bis alle beweglichen Teile zum Stillstand gekommen sind, und Akku abnehmen. Bei Nichtbeachtung dieser Anweisungen kann es zu schweren Verletzungen oder Sachschäden kommen.

⚠️ WARNUNG: Für Reparaturen sind ausschließlich baugleiche Ersatzteile zu verwenden. Die Verwendung anderer Teile kann Unfälle und Schäden am Gerät hervorrufen. Um die Sicherheit und Zuverlässigkeit zu gewährleisten, sollten alle Reparaturen nur von qualifizierten Servicetechnikern durchgeführt werden.

ALLGEMEINE WARTUNG

Verwenden Sie keine Lösungsmittel zum Reinigen von Kunststoffteilen. Die verschiedenen handelsüblichen Lösungsmittel greifen die meisten Kunststoffe an. Verwenden Sie saubere Lappen zum Entfernen von Schmutz, Staub, Öl, Fett usw.

REINIGUNG DES GERÄTES

- Entfernen Sie mithilfe einer weichen Bürste Schmutzrückstände von den Lüftungsöffnungen und vom Messer.

- Um Harz oder andere klebenden Rückstände zu entfernen, sprühen Sie die Messer mit einem Harzlöser ein. Lassen Sie den Motor kurz laufen, damit sich das Lösungsmittel gleichmäßig verteilt.

- Benutzen Sie keine starken Reiniger am Kunststoffgehäuse oder am Griff. Diese Elemente können von bestimmten ätherischen Ölen wie Kiefern- oder Zitronenöl und von Lösungsmitteln wie Petroleum angegriffen werden. Bei Feuchtigkeit besteht zudem Stromschlaggefahr. Wischen Sie feuchte Stellen mit einem weichen Tuch trocken. Verwenden Sie niemals Wasser zum Reinigen des Werkzeugs.

■ **SCHÄRFEN DES MESSERS**

Wenn die Schnittleistung und das Schnittverhalten sich zu verschlechtern beginnen; d.h., Messer bleiben ständig in Ästen stecken: Schärfen Sie die Messer.

Es wird empfohlen, die Messer von einem qualifizierten Servicetechniker schärfen zu lassen.

HINWEIS: Benutzen Sie Ihre Heckenschere nicht mit stumpfen oder beschädigten Messern. Dies kann zu einer Überlastung und mangelhaften Schnittergebnissen führen.

ÖLEN DES MESSERS

Es empfiehlt sich, die Messer mit einem Rostschutzöl zu ölen, wenn das Gerät längere Zeit gelagert werden soll, um zu verhindern, dass die Messer rosten.

⚠️ WARNUNG: Messer sind scharf. Beim Umgang mit den Messern sollten Sie rutschfeste, dicke Schutzhandschuhe tragen. Legen Sie Ihre Hand oder Finger nicht zwischen die Messer oder an eine Stelle, an der sie eingeklemmt oder verletzt werden können. NIE bei angeschlossenem Akku die Messer anfassen oder das Gerät instandhalten.

SCHMIERUNG DES GETRIEBES

Das Getriebe im Getriebegehäuse muss regelmäßig mit Getriebefett geschmiert werden. Entfernen Sie nach jeweils 50 Betriebsstunden die Dichtungsschraube am Getriebegehäuse und überprüfen Sie den Schmiermittelstand im Getriebegehäuse. Es sind drei Dichtungsschrauben vorhanden, eine an der Seite und zwei an der Oberseite.

Ist auf den Seiten des Getriebes kein Fett zu sehen, füllen Sie das Getriebe gemäß untenstehenden Schritten zu 3/4 mit Getriebefett.

Getriebe nicht vollständig befüllen.

1. Je nachdem, welche Schraube Sie entfernen, halten Sie die Stabheckenschere seitlich oder legen Sie sie auf ihre Rückseite, sodass die Dichtungsschraube, die Sie entfernen wollen, nach oben zeigt (Abb. O & P).

2. Lockern und entfernen Sie die Dichtungsschraube mit dem im Lieferumfang enthaltenen Schraubenschlüssel.
3. Befüllen Sie das Gehäuse durch das Schraubenloch mit einer Fettspritze (nicht enthalten) bis zu höchstens 3/4 mit Getriebefett.
4. Ziehen Sie die Dichtungsschraube nach dem Fetteinspritzen wieder fest.

AUFBEWAHREN DES GERÄTES

- Nehmen Sie den Akku aus dem Werkzeug.
- Reinigen Sie das Werkzeug gründlich, bevor Sie es lagern.
- Setzen Sie die Messerscheide auf das Messer, bevor Sie das Gerät lagern oder transportieren. Nehmen Sie sich vor den scharfen Zähnen des Messers in Acht.
- Falls die Heckenschere vom Kombimotor abgenommen und getrennt gelagert wird, setzen Sie die Schutzkappe auf das Antriebsrohr des Anbauwerkzeugs, damit kein Schmutz in die Kupplung gelangt.
- Lagern Sie das Gerät an einem trockenen, gut belüfteten Ort, der sich abschließen lässt oder hoch gelegen und für Kinder unerreichbar ist. Lagern Sie das Gerät nicht auf oder neben Düngemitteln, Benzin oder anderen Chemikalien.

Schutz der Umwelt



Entsorgen Sie elektronische Geräte, Ladegeräte und Batterien/Akkus nicht im Hausmüll!

Gemäß der europäischen Rechtsnorm 2012/19/EC müssen elektrische und elektronische Geräte, die nicht mehr benutzt werden, separat gesammelt werden. Dasselbe trifft gemäß der europäischen Rechtsnorm 2006/66/EC auch auf defekte oder verbrauchte Batterien/Akkus zu.

Wenn elektrische Geräte auf Deponien oder Schutthalden entsorgt werden, dann können gefährliche Substanzen ins Grundwasser sickern und in die Nahrungskette übergehen, was Ihre Gesundheit und Ihr Wohlbefinden beeinträchtigen kann.

KREISSVAN DER'SBEKE
KREISSVAN DER'SBEKE

FEHLERBEHEBUNG

DE

PROBLEM	URSACHE	LÖSUNG
Stabheckenschere funktioniert nicht.	<ul style="list-style-type: none"> ■ Der Akku ist nicht an der Stabheckenschere angeschlossen. ■ Kein elektrischer Kontakt zwischen Heckenschere und Akku. ■ Der Akku ist leer. ■ Der Auslöser-Freigabeknopf wurde vor dem Betätigen des Ein-/Ausschalters nicht heruntergedrückt. ■ Akku oder Kombimotor sind zu heiß. ■ Das Messer blockiert. ■ Die Stabheckenschere ist nicht fest mit dem Kombimotor verbunden. 	<ul style="list-style-type: none"> ■ Akku an die Stabheckenschere anschließen. ■ Akku herausnehmen, Kontakte überprüfen und wieder einsetzen. ■ Akkusatz aufladen. ■ Hebel zum Entriegeln gedrückt halten und dann den Auslöser drücken, um das Werkzeug einzuschalten. ■ Lassen Sie den Akku und den Kombimotor unter 67° C abkühlen. ■ Akku aus dem Werkzeug nehmen. Vorsichtig die Blockade entfernen, den Akku wiedereinsetzen und das Werkzeug starten. ■ Stabheckenschere vom Kombimotor trennen. Teile wie in Abschnitt „INSTALLIEREN EINES ANBAUWERKZEUGS AM KOMBIMOTOR“ im PH1400E Handbuch beschrieben verbinden.
Zu starke Vibration oder Lärmentwicklung.	<ul style="list-style-type: none"> ■ Trockene oder verrostete Messer. ■ Messer oder Klingensblatt ist verbogen. ■ Verbogene oder beschädigte Zähne. ■ Messerschrauben haben sich gelöst. 	<ul style="list-style-type: none"> ■ Messer ölen. ■ Neue Messer oder Halterung montieren. Wenden Sie sich an das EGO Servicecenter, um das Messer oder Halterung auswechseln zu lassen. ■ Neue Messer oder Halterung montieren. Wenden Sie sich an das EGO Servicecenter, um das Messer oder Halterung auswechseln zu lassen. ■ Die Messerschrauben festziehen. Die Schraube mit einem Schraubenschlüssel (nicht inbegriffen) im Uhrzeigersinn festziehen.

GARANTIE

EGO GEWÄHRLEISTUNGSRICHTLINIE

Bitte besuchen Sie unsere website egopowerplus.com mit den kompletten EGO Garantiebedingungen

LISEZ TOUTES LES INSTRUCTIONS !



LISEZ LE MANUEL D'UTILISATION

FR

⚠ Risques résiduels ! Les personnes portant des appareils électroniques, par exemple des stimulateurs cardiaques, doivent consulter leur(s) médecin(s) avant d'utiliser ce produit. L'utilisation d'un équipement électrique près d'un stimulateur cardiaque peut provoquer des interférences ou la panne du stimulateur cardiaque.

⚠ AVERTISSEMENT : Pour garantir la sécurité et la fiabilité, toutes les réparations et tous les changements de pièce doivent être effectués par un réparateur qualifié.

SYMBOLES DE SÉCURITÉ

L'objectif des symboles de sécurité est d'attirer votre attention sur des dangers potentiels. Les symboles de sécurité et les explications les accompagnant doivent être lus avec attention et compris. Les symboles de mise en garde ne permettent pas par eux-mêmes d'éliminer les dangers. Les consignes et mises en garde ne se substituent pas à des mesures de prévention appropriées des accidents.

⚠ AVERTISSEMENT : Avant d'utiliser cet outil, veuillez à lire et à comprendre toutes les consignes de sécurité du guide d'utilisation, notamment tous les symboles d'alerte de sécurité comme « **DANGER** », « **AVERTISSEMENT** » et « **MISE EN GARDE** ». Ne pas respecter toutes les consignes listées ci-après peut provoquer un choc électrique, un incendie et/ou des blessures corporelles graves.

SIGNIFICATION DES SYMBOLES

⚠ SYMBOLE DE MISE EN GARDE DE SÉCURITÉ : Indique un **DANGER**, un **AVERTISSEMENT** ou une **PRÉCAUTION**. Peut être utilisé en conjonction d'autres symboles ou pictogrammes.



⚠ AVERTISSEMENT : L'utilisation d'un outil électrique peut provoquer la projection d'objets étrangers dans vos yeux, ce qui peut provoquer des lésions oculaires graves. Avant de mettre un outil électrique en marche, portez toujours un masque de sécurité ou des lunettes de sécurité avec boucliers latéraux, ou un masque facial intégral quand cela est nécessaire. Nous vous recommandons de porter un Masque de Sécurité à Vision Panoramique par-dessus des lunettes de vue ou des lunettes de sécurité standards avec boucliers latéraux.

CONSIGNES DE SÉCURITÉ

Cette page décrit des symboles de sécurité pouvant être présents sur ce produit. Lisez, comprenez et respectez toutes les instructions présentes sur le produit avant d'essayer de l'assembler et de l'utiliser.

	Alerte de sécurité	Indique un danger potentiel de blessure corporelle.
	Lire le manuel d'utilisation	Pour réduire le risque de blessures, l'utilisateur doit lire et comprendre le manuel d'utilisation avant d'utiliser ce produit.
	Porter une protection oculaire	Toujours porter un masque de sécurité ou des lunettes de sécurité avec boucliers latéraux et un masque facial intégral lors de l'utilisation de ce produit.
	Porter un casque de protection.	Porter un casque de sécurité homologué pour protéger votre tête.
	Porter une protection auditive.	Toujours porter une protection auditive pendant l'utilisation de ce produit.
	Longueur de la lame	La longueur de la lame.
	Capacité de coupe	Capacité de coupe maximale de la lame
	Maintenir les mains et les pieds éloignés des pièces de coupe.	Ne jamais essayer d'utiliser votre outil électrique d'une main. La perte de contrôle de l'outil électrique peut provoquer des blessures graves ou mortelles. Pour réduire le risque de blessures par coupure, maintenir les mains et les pieds éloignés de l'accessoire de coupe. Ne jamais toucher un accessoire de coupe mobile avec la main ou une autre partie de votre corps.

	Maintenir les autres personnes éloignées.	Veiller à ce que les autres personnes et les animaux restent éloignés d'au moins 15 m du taille-haie sur perche pendant son utilisation.
	Ne pas exposer à la pluie	Ne pas utiliser sous la pluie et ne pas laisser dehors quand il pleut.
IPX4	Symbole IP	Protection contre la pénétration d'eau de degré 4
	CE	Ce produit est conforme aux directives CE applicables.
	WEEE	Les produits électriques usagés ne doivent pas être jetés avec les ordures ménagères. Apportez-les dans un centre de recyclage agréé.
	Bruit	Niveau de puissance acoustique garanti. Émission sonore dans l'environnement conforme à la directive de la communauté européenne.
V	Volt	Tension
mm	Millimètre	Longueur ou taille
cm	Centimètre	Longueur ou taille
kg	Kilogramme	Poids

CONSIGNES DE SÉCURITÉ POUR L'ACCESSOIRE POUR TAILLE-HAIE

⚠ DANGER ! Maintenez les mains éloignées de la lame. Le contact avec la lame provoquera des blessures corporelles graves.

FR

- **Maintenez toutes les parties de votre corps éloignées des lames. N'essayez pas de retirer du matériau coupé ni de tenir le matériau à couper quand les lames sont en mouvement. Vérifiez que l'interrupteur marche/arrêt de l'outil est dans la position arrêt avant d'enlever des matériaux coincés.** Un moment d'inattention pendant l'utilisation du taille-haie peut provoquer des blessures corporelles graves.
- **Sur les outils comportant une position de transport spécifique (lame repliée à plat contre le manche du taille-haie) : N'allumez jamais l'outil quand il est dans la position de transport,** car dans cette position les lames ne sont pas engagées et vous ne pouvez donc pas vérifier visuellement qu'elles seront arrêtées quand vous commencerez à les régler dans la position de coupe désirée (dans laquelle les lames sont engagées).
- **Portez le taille-haie par sa poignée avec sa lame à l'arrêt.** Lors du transport et du stockage du taille-haie, remettez toujours le protège-lame. Manipuler correctement le taille-haie permet de réduire le risque de blessures corporelles dû aux lames.
- **Ne saisissez pas les lames et les bords de coupe non protégés quand vous saisissez ou tenez le taille-haie.**
- **Tenez l'outil électrique exclusivement par ses surfaces de préhension isolées, car la lame peut entrer en contact avec des câbles électriques non visibles.** Si la lame entre en contact avec un fil électrique sous tension, les parties métalliques non carénées de l'outil électrique peuvent se retrouver sous tension électrique et l'opérateur risque de subir un choc électrique.
- **Maintenez le cordon d'alimentation éloigné de la zone de coupe.** Pendant l'utilisation, le cordon d'alimentation peut être caché par des branchages et être accidentellement sectionné par la lame.
- **Avant d'utiliser l'outil, inspectez la haie pour détecter les objets étrangers, par exemple des clôtures en fils métalliques.**
- **Pour réduire le risque de blessures dues à la perte de contrôle de l'outil, vérifiez impérativement que la lame n'est pas en contact avec vous et d'autres obstacles et objets, y compris le sol, car quand l'outil est allumé la vitesse du moteur est suffisamment rapide pour engager et bouger la lame de l'outil.**

CONSIGNES DE SÉCURITÉ IMPORTANTES

⚠ AVERTISSEMENT ! Quand vous utilisez des outils de jardin électriques, respectez toujours certaines précautions de sécurité élémentaires afin de réduire les risques d'incendie, de choc électrique et de blessure corporelle, parmi lesquelles :

LIRE ATTENTIVEMENT AVANT UTILISATION.

CONSERVER POUR CONSULTATION ULTÉRIEURE.

⚠ DANGER ! Ne pas utiliser près de lignes électriques. L'outil n'a pas été conçu pour fournir une protection contre les chocs électriques en cas de contact avec des lignes électriques surplombantes. Consultez les réglementations locales concernant les distances de sécurité par rapport aux lignes électriques surplombantes et vérifiez que la position d'utilisation est sûre et sécurisée avant d'allumer l'outil.

- **N'autorisez aucune autre personne dans l'aire de travail générale.** Veiller à ce que les autres personnes et les animaux restent éloignés d'au moins 15 m du taille-haie sur perche pendant son utilisation.
- **Ne laissez jamais les enfants utiliser le taille-haie.**
- **Tenez le taille-haie à deux mains pendant son utilisation.** Utiliser l'outil d'une seule main peut provoquer la perte de contrôle de l'outil et des blessures corporelles graves.
- **N'essayez pas de travailler des endroits difficiles à atteindre.** Conservez en permanence des appuis des pieds solides et un bon équilibre. Faites particulièrement attention dans les environnements glissants (neige ou sol mouillé) et sur les terrains difficiles où la végétation est dense. Soyez attentif aux obstacles cachés, par exemple les souches, les racines et les trous, pour éviter de tomber. Faites extrêmement attention quand vous travaillez sur des pentes ou des sols irréguliers.
- **N'utilisez pas l'outil sur une échelle, un toit, un arbre, ni aucun autre support instable.** Des appuis des pieds stables sur une surface solide permettent d'avoir un meilleur contrôle du taille-haie en cas de situations inattendues.
- **Observez en permanence la lame – Ne coupez aucune zone de la haie que vous ne pouvez pas voir.** Lors de la coupe du dessus d'une haie haute, vérifiez régulièrement qu'il n'y a pas des personnes, des animaux ou des obstacles de l'autre côté de la haie.
- Inspectez les pièces endommagées avant de continuer d'utiliser le taille-haie. Contrôlez l'outil pour vérifier qu'aucune pièce mobile n'est coincée ou mal alignée, qu'aucune pièce n'est cassée, et pour tout autre problème pouvant nuire à son fonctionnement.
- Inspectez fréquemment les boulons de fixation du moteur et de la lame pour vérifier qu'ils sont correctement serrés. Inspectez également visuellement la lame pour vérifier qu'elle n'est pas endommagée (par exemple tordue, ébréchée ou usée). Remplacez la lame exclusivement par une lame EGO™.
- Remplacez la lame si elle est tordue ou ébréchée. Une lame déséquilibrée générera des vibrations pouvant endommager l'unité motrice et provoquer des blessures corporelles.
- Si l'outil commence à vibrer anormalement, éteignez le moteur et inspectez immédiatement l'outil pour en trouver la cause. Les vibrations indiquent généralement qu'il y a un problème.

- L'outil peut être utilisé pour couper des branches d'une épaisseur inférieure à 26 mm.
- Coupez exclusivement à la lumière du jour ou sous une lumière artificielle suffisante.
- N'utilisez pas le taille-haie alimenté par batterie sous la pluie.

CONSIGNES DE SÉCURITÉ ADDITIONNELLES

- **Ne rechargez pas la batterie sous la pluie ni dans les endroits mouillés.**
- **Utilisez exclusivement les batteries et les chargeurs listés à la fig. A.**
- La batterie doit être retirée de l'outil avant la mise au rebut.
- La batterie doit être mise au rebut d'une manière sûre.
- **Ne jetez pas la batterie dans un feu.** Les cellules peuvent exploser. Consultez les réglementations locales pour connaître d'éventuelles dispositions spéciales de mise au rebut.
- **N'ouvrez pas la batterie et ne la modifiez pas.** L'électrolyte sortant des batteries est corrosif et peut blesser les yeux et la peau. Il peut être toxique s'il est avalé.
- ▲ **ATTENTION !** L'électrolyte est de l'acide sulfurique dilué qui est nocif pour la peau et les yeux. Il est conducteur d'électricité et corrosif.
- **Faites attention lors de la manipulation des batteries pour éviter de les court-circuiter avec des matériaux conducteurs, par exemple des bagues, des bracelets ou des clés.** La batterie ou le conducteur peut surchauffer et provoquer des brûlures.
- **Les outils alimentés par batterie n'ont pas à être branchés dans une prise électrique, ils sont donc toujours prêts à fonctionner.** Prenez garde aux dangers potentiels même quand l'outil n'est pas en fonctionnement. Faites attention pendant l'entretien ou la réparation.
- **Retirez la batterie avant toute opération de réparation, de nettoyage ou de retrait de matériel de l'outil.**
- **Pièces de Rechange** - L'outil ne doit être réparé qu'avec des pièces de rechange EGO identiques. L'utilisation de tout autre accessoire peut accroître le risque de blessure.

- **Faites réparer votre outil électrique par un réparateur qualifié qui ne doit utiliser que des pièces de rechange identiques.** Cela garantit que l'outil électrique reste sûr.
- **Ne lavez pas l'outil avec un tuyau. Évitez que de l'eau ne pénètre dans le moteur et sur les connexions électriques.**
- **Rangez l'outil dans un endroit sec et en hauteur ou verrouillé, hors de portée des enfants.**
- **Si des situations non couvertes par ce manuel se produisent, faites preuve de prudence et de bon sens. Contactez le centre de réparation EGO pour lui demander conseil.**
- **Conservez ce manuel d'utilisation.** Consultez-le fréquemment et servez-vous-en pour instruire les autres personnes devant utiliser cet outil. Si vous prêtez cet outil à un tiers, prêtez-lui également ce manuel d'utilisation pour éviter l'utilisation incorrecte du produit et des blessures potentielles.

CONSERVEZ CE MANUEL D'UTILISATION

REMARQUE : CONSULTEZ LES CONSIGNES DE SÉCURITÉ SPÉCIFIQUES ADDITIONNELLES DANS LE MANUEL D'UTILISATION DE VOTRE BLOC MOTEUR.

SPÉCIFICATIONS

Longueur de la lame	51 cm
Capacité de coupe	26 mm
Poids (sans la batterie , sans fourreau de lame)	2,20 kg
Température d'utilisation recommandée	0°C-40°C
Température de stockage recommandée	-20°C-70°C
Niveau de puissance acoustique mesuré L_{WA}	92,3 dB(A) K=2,72 dB(A)
Niveau de pression acoustique au niveau des oreilles de l'opérateur L_{PA}	80,4 dB(A) K=3 dB(A)
Niveau de puissance acoustique garantie L_{WA} (conformément à la norme 2000/14/CE)	95 dB(A)
Vibration a_h	Poignée auxiliaire avant $K=1,5 m/s^2$
	Poignée arrière $K=1,5 m/s^2$

- Les paramètres ci-dessus ont été testés et mesurés avec le bloc moteur PH1400E.

- La valeur totale des vibrations indiquée a été mesurée selon une procédure conforme à une méthode de test standardisée et peut servir pour comparer différents outils.
- La valeur totale des vibrations indiquée peut également servir pour effectuer une première évaluation de l'exposition.

REMARQUE : Le niveau de vibrations lors de l'utilisation réelle de l'outil peut être différent de la valeur déclarée totale en fonction de la manière dont l'outil est utilisé ; Afin de protéger l'opérateur, l'utilisateur doit porter des gants et des protecteurs d'oreilles en conditions réelles d'utilisation.

CONTENU DE L'EMBALLAGE

NOM DES PIÈCES	QUANTI
Accessoire pour Taille-Haie sur Perche	1
Clé	1
Protège-lame	1
Manuel d'utilisation	1

DESCRIPTION

DESCRIPTION DE VOTRE ACCESSOIRE POUR TAILLE-HAIE SUR PERCHE (Image A)

1. Lame
2. Couronne dentée
3. Gâchette
4. Manche du taille-haie sur perche
5. Manchon souple
6. Capuchon d'extrémité
7. Levier de réglage
8. Boîtier d'engrenage
9. Clé
10. Protège-lame
11. Protection de bout de lame (Optionnel, VENDU SÉPARÉMENT)

ASSEMBLAGE

⚠ AVERTISSEMENT : Si une pièce est manquante ou endommagée, n'utilisez pas cet outil tant qu'elle n'a pas été remplacée. Utiliser cet outil avec des pièces endommagées ou manquantes peut provoquer des blessures corporelles graves.

⚠ AVERTISSEMENT : N'essayez jamais de modifier l'outil ni de créer des accessoires non recommandés pour être utilisés avec cette élagueuse sur perche. De tels modifications et changements constituent un usage impropre et peuvent engendrer des situations dangereuses pouvant provoquer des blessures corporelles graves.

⚠ AVERTISSEMENT : N'assemblez jamais et ne réglez jamais aucun accessoire quand la tête alimentée est en fonctionnement ou quand la batterie est insérée. Ne pas éteindre le moteur et ne pas retirer la batterie peut provoquer des blessures corporelles graves.

RÉGLEZ LA LAME

Quand le taille-haie sur perche est sorti de l'emballage, il est plié dans sa position de rangement avec la lame rabattue contre le manche (Image B). Il est recommandé de régler la lame dans une position de travail appropriée avant de l'assembler sur la tête alimentée.

Il y a 12 positions de travail possibles. L'angle de coupe peut être réglé vers le haut dans 5 positions entre 0° (droit) et 45°, y compris 0°, et vers le bas dans 7 positions de 0° à 90° (angle droit dirigé vers le bas) (Image C), à l'exception de 0°.

1. Tout en appuyant sur la gâchette du levier de réglage, déplacez le levier de réglage pour régler la lame dans la position de coupe désirée (Image D).
2. Une fois la position désirée atteinte, relâchez la gâchette. Un clic audible indique que la goupille de verrouillage est encastrée dans la couronne dentée (Image D).

Images D description des pièces, voir ci-dessous :

D-1	Couronne dentée
D-2	Goupille de verrouillage

⚠ AVERTISSEMENT : Pour réduire le risque de blessure, effectuez le réglage exclusivement quand les lames sont immobiles. Ne touchez jamais les lames pendant les réglages.

⚠ AVERTISSEMENT : Pour réduire le risque de blessures, éteignez toujours l'outil et recouvrez la lame avec le protège-lame avant de déplacer la lame dans la position de rangement ou de la position de rangement dans la position de travail normale.

ASSEMBLER/DÉMONTÉ L'ACCESSOIRE POUR TAILLE-HAIE SUR PERCHE DE LA TÊTE ALIMENTÉE

Cet accessoire pour taille-haie sur perche est conçu pour être utilisé avec la Tête Alimentée LITHIUM-ION 56 V EGO PH1400E. En plus de la position de coupe supérieure, il y a une position de coupe latérale sur le manche du taille-haie pour l'assemblage sur la tête alimentée (Image E). Pour connaître les techniques de travail, consultez le chapitre « **TECHNIQUES DE TRAVAIL** » de ce manuel d'utilisation.

Images E description des pièces, voir ci-dessous :

E-1	Position de coupe supérieure
E-2	Position de coupe latérale

Consultez le chapitre « **ASSEMBLER UN ACCESSOIRE SUR LA TÊTE ALIMENTÉE** » du manuel d'utilisation de la tête alimentée PH1400E pour assembler le taille-haie sur perche sur la tête alimentée.

Consultez le chapitre « **DÉMONTÉ UN ACCESSOIRE DE LA TÊTE ALIMENTÉE** » du manuel d'utilisation de la tête alimentée PH1400E pour démonter le taille-haie sur perche de la tête alimentée.

ASSEMBLER LA PROTECTION DE BOUT DE LAME (Optionnel)

1. Avec une clé hexagonale, retirez la vis courte, la rondelle plate, la garniture et l'écrou du bout de la lame (Image F). Mettez la rondelle plate, la garniture et l'écrou de côté pour le réassemblage.

Images F description des pièces, voir ci-dessous :

F-1	Écrou	F-3	Rondelle plate
F-2	Garniture	F-4	Vis courte

2. Alignez la protection de bout de lame avec le renflement de la lame et assemblez-le. Fixez-le avec la vis longue et l'écrou supplémentaires, ainsi qu'avec la rondelle, la garniture et l'écrou précédemment démontés (Image G).

Images G description des pièces, voir ci-dessous :

G-1	Écrou	G-4	Garniture
G-2	Protection de bout de lame	G-5	Rondelle plate
G-3	Écrou	G-6	Vis longue

UTILISATION

⚠ DANGER : Ne coupez jamais près de lignes électriques, de câbles électriques ou d'autres sources d'électricité. Si les lames se coincent sur une ligne ou un câble électrique, **NE TOUCHEZ PAS LA LAME OU LA PERCHE EN ALUMINIUM ! ELLES PEUVENT SE RETROUVER SOUS TENSION ÉLECTRIQUE ET ÊTRE TRÈS DANGEREUSES.** Continuez de tenir le taille-haie sur perche par sa poignée arrière isolante ou posez-le loin de vous d'une manière sécurisée. Débranchez la ligne ou le câble électrique endommagé de l'alimentation électrique avant d'essayer de décoincer la lame de la ligne ou du câble électrique. Le contact avec la lame, d'autres pièces conductrices du taille-haie sur perche ou des lignes ou câbles électriques sous tension peut provoquer la mort par électrocution ou des blessures graves.

⚠ AVERTISSEMENT : Veillez à ne pas devenir moins prudent au fur et à mesure que vous vous familiarisez avec cet outil. Gardez à l'esprit qu'une seconde d'inattention peut suffire pour provoquer des blessures graves.

⚠ AVERTISSEMENT : Portez toujours une protection oculaire avec boucliers latéraux. Sans ce type de protection, des objets peuvent être projetés dans vos yeux et d'autres blessures graves peuvent se produire.

Avant chaque utilisation, inspectez entièrement l'outil pour vérifier qu'aucune pièce n'est endommagée, manquante ou desserrée, par exemple les vis, écrous, boulons, capuchons, etc. Resserrez solidement toutes les fixations et fixez solidement tous les capuchons. N'utilisez pas ce produit tant que toutes les pièces manquantes ou endommagées n'ont pas été remplacées.

⚠ AVERTISSEMENT : Pour éviter des blessures corporelles graves, retirez la batterie de l'outil avant toute opération de réparation, nettoyage, changement d'accessoires ou de retrait de matières de l'outil.

Après chaque utilisation, nettoyez l'outil.

Consultez le chapitre Entretien pour connaître les instructions de nettoyage.

APPLICATIONS

Vous pouvez utiliser ce produit pour tailler les haies, les broussailles, les arbustes et les matériaux similaires dont les branches ont un diamètre inférieur à 26 mm.

⚠ REMARQUE : L'outil ne doit être utilisé qu'à la finalité prescrite. Tout autre usage est considéré impropre.

UTILISER LE TAILLE-HAIE SUR PERCHE AVEC LA TÊTE ALIMENTÉE

⚠ AVERTISSEMENT : Quand vous utilisez cet outil, portez une tenue appropriée pour réduire le risque de blessures. Ne portez pas de vêtement ample ni de bijou. Portez des protections oculaires et auditives. Portez un pantalon long et épais, des chaussures montantes et des gants. Ne portez pas de shorts ni de sandales et ne soyez pas pieds nus.

PRÉPARATION POUR LA COUPE :

1. Réglez la lame dans la position de travail désirée.
2. Retirez le protège-lame de la lame.
3. Pour un usage sûr et meilleur, placez la sangle d'épaule en travers de vos épaules. Réglez la sangle d'épaule dans une position d'utilisation confortable. Respectez les instructions du chapitre « **ATTACHER LA SANGLE D'ÉPAULE** » du manuel d'utilisation PH1400E pour attacher la sangle d'épaule sur la tête alimentée.

⚠ AVERTISSEMENT : La sangle d'épaule est aussi un mécanisme de retrait rapide en cas de situation dangereuse. En cas d'urgence, retirez-la immédiatement de votre épaule, quelle que soit la manière dont elle est portée.

TECHNIQUES DE TRAVAIL

- **Coupe horizontale (avec la lame dans un angle) :**
Coupez près du sol en vous tenant debout, par exemple des arbustes bas.

Balancer la lame verticalement tout en vous déplaçant le long de la haie - Utilisez les deux côtés de la lame, ne reposez pas la lame sur le sol (Image H).

- **Coupe horizontale (avec la lame droite) :**

Tenez la lame dans un angle de 0° à 10° tout en balançant le taille-haie sur perche horizontalement. Balancez la lame en décrivant un arc vers l'extérieur de la haie en sorte que les végétaux coupés soient envoyés vers le sol (Images I, J et K).

Recommandation : Coupez exclusivement les haies dont la hauteur ne dépasse pas votre poitrine avec cette position de travail.

- **Coupe verticale (avec la lame dans un angle) :**
Coupez sans vous tenir directement à côté de la haie, par exemple avec un parterre de fleurs entre vous et la haie.

Dans cette position de coupe, vous avez un meilleur contrôle du taille-haie sur perche. Il est recommandé d'assembler le taille-haie sur la tête alimentée dans la position de coupe latérale (Image E).

Balancer la lame verticalement en décrivant un arc tout en vous déplaçant le long de la haie - Utilisez les deux côtés de la lame (Image L).

- **Coupe verticale (avec la lame droite) :** Portée de coupe extra longue sans accessoire supplémentaire.

Balancer la lame verticalement en décrivant un arc tout en vous déplaçant le long de la haie - Utilisez les deux côtés de la lame (Image M).

- **Coupe surplombante (avec la lame dans un angle) :**

Tenez le taille-haie verticalement et décrivez un mouvement de balayage en arc pour maximiser la portée de l'outil (Image N). Pour les haies extrêmement hautes, la rallonge peut être utilisée afin de faciliter la coupe.

⚠ AVERTISSEMENT : Toute position de travail plus haute que la tête est fatigante. Pour minimiser le risque d'accidents, travaillez dans de telles positions exclusivement pendant des périodes courtes. Réglez l'angle de la lame réglable au maximum en sorte que l'outil puisse être tenu dans une position plus basse et moins fatigante (avec la sangle d'épaule) tout en offrant une portée appropriée.

ALLUMER/ÉTEINDRE L'OUTIL

Consultez le chapitre « **ALLUMER/ÉTEINDRE LE BLOC MOTEUR** » du manuel d'utilisation du bloc moteur PH1400E.

ENTRETIEN

⚠ AVERTISSEMENT : Avant d'inspecter, de nettoyer ou de réparer l'outil, éteignez le moteur, attendez que toutes les pièces mobiles se soient arrêtées et retirez la batterie. Ne pas respecter ces instructions peut provoquer des blessures corporelles graves et des dommages matériels.

⚠ AVERTISSEMENT : L'outil ne doit être réparé qu'avec des pièces de rechange identiques. L'utilisation de toute autre pièce peut créer un danger ou détériorer l'outil. Pour garantir la sécurité et la fiabilité, toutes les réparations doivent être effectuées par un réparateur qualifié.

ENTRETIEN GÉNÉRAL

N'utilisez pas de solvant pour nettoyer les pièces en plastique. La plupart des plastiques peuvent être détériorés par de nombreux solvants différents vendus dans le commerce. Utilisez des chiffons propres pour enlever les saletés, les poussières, l'huile, les graisses, etc.

NETTOYER L'OUTIL

- Utilisez une brosse souple pour enlever les débris de toutes les ouïes de ventilation et de la lame.
- Pour enlever la sève et les autres résidus collants, pulvérisez un solvant de résine sur les lames. Allumez brièvement le moteur pour répartir uniformément le solvant.
- N'utilisez pas de détergent puissant sur le boîtier en plastique ou sur la poignée, car ils peuvent être endommagés par certaines huiles aromatiques, par exemple de pin et de citron, et par les solvants, par exemple l'essence. L'humidité peut également générer un risque de choc électrique. Essuyez les traces d'humidité avec un chiffon doux et sec. N'utilisez jamais d'eau pour nettoyer l'outil.

AFFÛTER LA LAME

Quand le comportement et les performances de coupe de l'outil commencent à se détériorer, par exemple si les lames se coincent fréquemment sur les branches : Réaffûtez les lames.

Il est recommandé de faire réaffûter les lames par un réparateur qualifié.

REMARQUE: N'utilisez pas votre taille-haie avec des lames endommagées ou émoussées. Cela peut le mettre en surcharge et la coupe ne sera pas satisfaisante.

LUBRIFIER LA LAME

Pour prévenir la rouille, il est recommandé de lubrifier les lames avec une huile anti-rouille avant de la stocker pendant une période prolongée.

⚠ AVERTISSEMENT : Les lames sont tranchantes. Lors de la manipulation de la lame, portez des gants protecteurs, antidérapants et épais. Ne placez pas votre main ou vos doigts entre les lames ni dans aucune position dans laquelle ils pourraient être pincés ou coupés. Ne touchez JAMAIS les lames et ne réparez JAMAIS l'outil quand sa batterie est insérée.

LUBRIFICATION DES ENGRENAGES DE TRANSMISSION

Les engrenages de transmission du boîtier d'engrenage doivent être lubrifiés régulièrement avec de la graisse à engrenage. Contrôlez le niveau de graisse dans le boîtier d'engrenage toutes les 50 h d'utilisation en retirant la vis d'étanchéité du boîtier d'engrenage. Il y a trois vis d'étanchéité, une sur le côté et deux sur le dessus.

Si vous ne voyez pas de graisse sur les flancs des engrenages, procédez comme suit pour remplir le boîtier de graisse jusqu'au 3/4.

Ne remplissez pas complètement les engrenages de transmission.

1. Selon la vis à retirer, tenez la taille-haie sur perche sur son côté ou posez-le sur son dos pour que la vis d'étanchéité à retirer soit positionnée en haut (Images O et P).
2. Utilisez la clé fournie pour desserrer et retirer la vis d'étanchéité.
3. Avec une seringue à graisse (non fournie), injectez de la graisse dans le trou de vis sans dépasser les 3/4 de la capacité.
4. Revissez complètement la vis d'étanchéité après l'injection.

RANGER L'OUTIL

- Retirez la batterie de l'outil.
- Nettoyez soigneusement et intégralement l'outil avant de le ranger.
- Recouvrez la lame avec le protège-lame avant de ranger ou de transporter l'outil. Faites attention à ne pas toucher les dents tranchantes des lames.
- Si le taille-haie est démonté de la tête alimentée et rangé séparément, insérez le capuchon d'extrémité sur son manche d'assemblage pour éviter que des saletés ne rentrent dans le coupleur.
- Rangez l'outil dans un endroit sec, bien aéré, fermé à clé ou en hauteur, et hors de portée des enfants. Ne rangez pas l'outil sur ou à côté d'engrais, d'essence ou d'autres substances chimiques.

Protection de l'environnement

Ne jetez pas les équipements électriques, les chargeurs de batterie, les batteries rechargeables et les piles avec les ordures ménagères !

Conformément à la directive européenne 2012/19/UE, les équipements électriques et électroniques qui ne sont plus utilisables, et conformément à la directive européenne 2006/66/CE, les batteries rechargeables et les piles usagées ou défectueuses doivent être collectés séparément.

Si les appareils électriques sont jetés dans des décharges ou des dépôts d'ordures, des substances dangereuses peuvent s'infiltrer jusque dans la nappe phréatique et entrer dans la chaîne alimentaire, avec un effet néfaste sur votre santé et votre bien-être.

FR

KRESSVAN DER'SBEKE
KRESSVAN DER'SBEKE

DÉPANNAGE

FR

PROBLÈME	CAUSE	SOLUTION
Le taille-haie sur perche ne fonctionne pas.	<ul style="list-style-type: none"> ■ La batterie n'est pas insérée sur le taille-haie sur perche. ■ Il n'y a pas de contact électrique entre le taille-haie et la batterie. ■ La batterie est déchargée. ■ La batterie ou la tronçonneuse est trop chaude. ■ La batterie ou la tête alimentée est trop chaude. ■ La lame est coincée. ■ Le taille-haie sur perche n'est pas correctement assemblé sur la tête alimentée. 	<ul style="list-style-type: none"> ■ Insérez la batterie sur le taille-haie sur perche. ■ Retirez la batterie, inspectez les contacts, puis réinsérez la batterie. ■ Rechargez la batterie. ■ Appuyez sur le levier de déverrouillage et maintenez-le appuyé, puis appuyez sur l'interrupteur-gâchette pour allumer l'outil. ■ Laissez la batterie ou le bloc moteur refroidir jusqu'à ce que sa température baisse sous 67 °C. ■ Retirez la batterie de l'outil. Enlevez précautionneusement les obstructions, puis réinsérez la batterie et redémarrez l'outil. ■ Débranchez le taille-haie sur perche de la tête alimentée. Réassemblez l'outil en procédant comme indiqué dans le chapitre « ASSEMBLER UN ACCESSOIRE SUR LA TÊTE ALIMENTÉE » du manuel d'utilisation du PH1400E.
Bruit/vibrations excessifs.	<ul style="list-style-type: none"> ■ Les lames sont corrodées ou manquent de lubrification. ■ Une ou plusieurs lames sont tordues. ■ Dents tordues ou endommagées. ■ Les boulons de lame sont desserrés. 	<ul style="list-style-type: none"> ■ Lubrifiez les lames. ■ Faites remplacer la pièce par une lame neuve ou un support neuf. Contactez un centre de réparation EGO pour faire changer la lame ou le support. ■ Faites remplacer la pièce par une lame neuve ou un support neuf. Contactez un centre de réparation EGO pour faire changer la lame ou le support. ■ Serrez les boulons de lame. Avec une clé (non fournie), serrez la vis dans le sens horaire.

GARANTIE

POLITIQUE DE GARANTIE EGO

Rendez-vous sur le site Internet egopowerplus.com pour consulter les termes et conditions complets de la politique de garantie EGO.

¡LEA TODAS LAS INSTRUCCIONES!

LEER EL MANUAL DEL USUARIO

⚠ ¡Riesgo residual! Aquellas personas con implantes electrónicos, tales como marcapasos, deberán consultar a su médico antes de utilizar este producto. La utilización de equipos eléctricos a proximidad de un marcapasos podría causar en este interferencias o averías.

⚠ ADVERTENCIA: Para garantizar la seguridad y fiabilidad de la herramienta, confíe cualquier reparación y sustitución de piezas que sea necesaria a personal técnico cualificado.

SÍMBOLOS RELACIONADOS CON LA SEGURIDAD

El propósito de los símbolos de seguridad es el de atraer su atención hacia los posibles peligros que conlleva la utilización del producto. Los símbolos de seguridad y las explicaciones que los acompañan requieren su máxima atención y comprensión. Por sí solos, los símbolos de advertencia no eliminan los posibles peligros que pudieran existir. Las instrucciones y advertencias que aquí se incluyen no son sustitutas en modo alguno de las medidas de prevención adecuadas que deben tomarse para evitar posibles accidentes.

⚠ ADVERTENCIA: Antes de utilizar esta herramienta, asegúrese de haber leído y entendido perfectamente todas las instrucciones incluidas en este Manual del usuario, incluidos todos los símbolos de aviso sobre seguridad, tales como “**PELIGRO**”, “**ADVERTENCIA**” y “**PRECAUCIÓN**”. De no observarse todas las instrucciones proporcionadas a continuación podría existir un riesgo de incendio, electrocución, así como de lesiones físicas graves.

SIGNIFICADO DE LOS DISTINTOS SÍMBOLOS

SÍMBOLO DE AVISO DE SEGURIDAD: señala algún tipo de **PELIGRO**, **ADVERTENCIA** o **PRECAUCIÓN** a tener en cuenta. Este símbolo podrá utilizarse de manera conjunta con otros símbolos o pictogramas.



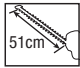
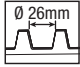





⚠ ADVERTENCIA: Es posible que, cuando se utilizan herramientas eléctricas, salgan despedidos objetos que podrían causar lesiones oculares severas si no se utiliza equipo de protección personal adecuado. Antes de empezar a usar herramientas eléctricas, póngase siempre gafas de seguridad, gafas con cristales anti-impacto que cuenten con pantallas de protección lateral, o bien una máscara facial que proteja completamente la cara. Recomendamos la utilización de máscaras de seguridad de amplia visión que pueden utilizarse encima de gafas graduadas, o bien gafas normales de seguridad equipadas con pantallas laterales.

ES

INSTRUCCIONES RELACIONADAS CON LA SEGURIDAD

Esta página muestra y describe los símbolos de seguridad que puede haber en este producto. Asegúrese de leer, entender perfectamente y observar todas las instrucciones estampadas o proporcionadas con el producto antes de proceder a su montaje y utilización.

	Aviso de seguridad	Indica una situación potencialmente peligrosa que, de no evitarse, podría dar lugar a lesiones físicas.
	Leer el Manual del usuario	Para reducir en lo posible el riesgo de lesiones, el usuario deberá leer y entender el Manual del usuario antes de utilizar este producto.
	Utilizar protección ocular	Utilice siempre utilice gafas de seguridad, gafas con cristales anti-impacto que cuenten con pantallas de protección lateral, o bien una máscara facial que proteja completamente la cara cuando se sirva de este producto.
	Utilizar protección para la cabeza	Lleve puesto casco de seguridad para protegerse la cabeza.
	Utilice protección auditiva	Lleve siempre protección auditiva cuando utilice este producto.

	Longitud de la cuchilla	La longitud de la cuchilla
	Capacidad de corte	Capacidad de corte máx. de la cuchilla
	Mantenga las manos y los pies alejados del elemento de corte	No intente nunca usar la herramienta eléctrica con una sola mano. Podría perder el control de la herramienta y provocar lesiones graves o mortales. Para reducir el riesgo de lesiones por corte, mantenga las manos y los pies alejados del elemento de corte. No toque nunca con la mano ni con ninguna otra parte del cuerpo un elemento de corte en movimiento.
	Mantenga a terceros apartados de la zona donde se esté utilizando la herramienta	Asegúrese de que las personas y los animales domésticos se mantengan a una distancia mínima de 15 m cuando se esté usando el cortasetos con tubo.
	No exponer la herramienta a la acción de la lluvia	No utilice la herramienta bajo la lluvia ni la deje a la intemperie cuando esté lloviendo.
IPX4	Símbolo de tipo de protección IP	Protección de nivel 4 contra la penetración de agua
	CE	Este producto está en conformidad con las directivas de la CE aplicables.
	RAEE	Los productos eléctricos no deben eliminarse con la basura doméstica. Llévelos a un centro de reciclaje autorizado.

	Ruido	Nivel de potencia acústica garantizado. Emisiones de ruido al medio ambiente en conformidad con la Directiva de la Unión Europea.
V	Voltios	Tensión
mm	Milímetro	Longitud o tamaño
cm	Centímetro	Longitud o tamaño
kg	Kilogramo	Peso

INSTRUCCIONES DE SEGURIDAD IMPORTANTES

⚠ ¡ADVERTENCIA! Cuando se utilicen aparatos de jardinería, deberán adoptarse siempre ciertas precauciones de seguridad básicas para reducir el riesgo de incendio, electrocución y lesiones físicas, entre ellas:

LEA DETENIDAMENTE LAS INSTRUCCIONES ANTES DE UTILIZAR LA HERRAMIENTA

CONSERVE ESTA INFORMACIÓN COMO REFERENCIA FUTURA

⚠ ¡PELIGRO! No utilizar cerca de líneas eléctricas. El aparato no ha sido diseñado para proporcionar protección contra la descarga eléctrica en caso de o con líneas eléctricas aéreas. Consulte las normativas locales para conocer las distancias de seguridad respecto a las líneas eléctricas aéreas y, antes de usar la herramienta, asegúrese de que su posición sea segura.

ADVERTENCIAS DE SEGURIDAD RELACIONADAS EL CORTASETOS

⚠ ¡PELIGRO! Mantenga las manos alejadas de la **cuchilla**. El contacto con la cuchilla puede provocar lesiones graves.

- Mantenga todas las partes del cuerpo apartadas de la **cuchilla de corte**. No retire el material cortado ni sujete el material a cortar mientras la **cuchilla está en movimiento**. Asegúrese de que el **interruptor está en la posición de apagado antes de retirar material atrapado en la cuchilla**. Cualquier momento de descuido durante la utilización del cortasetos podría dar lugar a lesiones físicas graves.
- En las máquinas con una **posición de transporte definida (la cuchilla plegada plana hacia la barra del cortasetos)**: No ponga nunca en marcha la herramienta en la **posición de transporte**, ya que en esa posición las cuchillas no están encajadas y, por tanto, no puede comprobar visualmente que

estén paradas en ralentí cuando empiece a ajustar la cuchilla a la posición de corte que desee (en la que las cuchillas encajan).

- **Transporte el cortasetos sujetándolo por la empuñadura y asegurándose de que la cuchilla esté parada.** Durante el transporte o almacenamiento del cortasetos, coloque siempre el protector de cuchilla en la herramienta. El manejo correcto del cortasetos reducirá los riesgos de posibles lesiones debido a la cuchilla de corte.
- **No agarre el cortasetos por la cuchilla expuesta ni por los filos de corte al levantarlo o recogerlo de alguna superficie.**
- **Sujete la herramienta eléctrica únicamente por sus superficies de agarre aisladas, ya que la cuchilla podría entrar en contacto con cables ocultos.** El contacto de la hoja de corte con un cable bajo tensión podría transmitir a las piezas metálicas expuestas de la herramienta eléctrica la corriente transportada por el cable y hacer que el usuario reciba una descarga eléctrica.
- **Mantenga el cable apartado de la zona de corte.** Durante la utilización del cortasetos, el cable podría llegar quedar oculto en la vegetación, con el consecuente riesgo de que pueda cortarse de manera accidental con la cuchilla.
- **Antes de empezar a usar la herramienta, compruebe si en el seto hay objetos extraños, por ejemplo, una valla.**
- **Para reducir el riesgo de lesiones debido a la pérdida de control de la herramienta, asegúrese bien de que la cuchilla esté alejada de usted y de cualquier obstrucción y otros objetos, incluido el suelo, ya que, tras arrancar la herramienta, la velocidad del motor será lo bastante alta para engranar y mover la cuchilla en la herramienta.**
- **No permita que haya otras personas en el área de trabajo general.** Asegúrese de que las personas y los animales domésticos se mantengan a una distancia mínima de 15 m cuando se esté usando el cortasetos con tubo.
- **Nunca permita que los niños utilicen el cortasetos.**
- **Sujete siempre el cortasetos con ambas manos mientras lo utiliza.** Sujetándolo con una sola mano podría perder el control y dar lugar a lesiones físicas graves.
- **No se estire demasiado para alcanzar lugares de difícil acceso.** Mantenga en todo momento un buen equilibrio y los pies firmemente apoyados en el suelo. Hay que tener más cuidado condiciones resbaladizas (suelo mojado o nieve) y cuando el terreno sea difícil o cubierto de vegetación. Tenga cuidado con los obstáculos ocultos como troncos, raíces o zanjas, para evitar caer. Tenga

mucho cuidado cuando trabaje en pendientes o en terrenos irregulares.

- **No utilice la herramienta subido en una escalera, árbol, tejado u otro soporte inestable.** Manteniendo los pies apoyados sobre una superficie sólida tendrá un mejor control del cortasetos en caso de producirse alguna situación inesperada.
- **Observe las cuchillas en todo momento. No corte ninguna zona del seto que no pueda ver. Cuando corte la parte superior de un seto alto, compruebe frecuentemente que en el otro lado del seto no haya personas, animales ni obstáculos.**
- **Antes de seguir utilizando el cortasetos, compruebe que ni haya piezas dañadas.** Compruebe la alineación de las piezas móviles, la unión de las piezas móviles, la rotura de piezas, el montaje y cualquier otra condición que pudiera afectar al funcionamiento.
- **Compruebe a intervalos periódicos los tornillos de fijación de la cuchilla y del motor para asegurarse de que están correctamente apretados.** Asimismo, examine visualmente la cuchilla por si presentara daños (por ejemplo, deformación, grietas o desgaste). Cuando cambie la cuchilla, utilice solo una cuchilla original de EGO™.
- **Sustituya inmediatamente la cuchilla en caso de estar deformada, doblada o agrietada.** Una cuchilla desequilibrada provocará vibraciones en la herramienta que podrían llegar a dañar su motor o causar lesiones físicas.
- **Si se observan vibraciones anormales en la herramienta, apague el motor e investigue inmediatamente la causa.** Las vibraciones suelen ser indicativo de alguna anomalía.
- **El cortasetos deberá utilizarse para cortar tallos con un grosor menor que 26 mm.**
- **Utilice únicamente la herramienta a plena luz del día o cuando haya una iluminación artificial adecuada.**
- **No utilice este cortasetos a batería bajo la lluvia.**

ADVERTENCIAS COMPLEMENTARIAS

- **No recargue el acumulador bajo la lluvia ni en entornos excesivamente húmedos.**
- **Utilizar solo con los acumuladores y cargadores enumerados en la fig. A.**
- **Deberá retirarse el acumulador de la herramienta antes de proceder a su eliminación.**
- **El acumulador deberá eliminarse de manera segura.**

- **No elimine el acumulador arrojándolo al fuego.** Sus celdas podrían explotar. Consulte en la normativa local las posibles instrucciones especiales para su eliminación.
- **No abra el acumulador ni lo dañe.** El electrolito que podría liberarse es corrosivo y podría provocar lesiones oculares o cutáneas. Además, podría ser tóxico si se ingiere.

⚠ ¡PRECAUCIÓN! El electrolito es un ácido sulfúrico diluido nocivo para la piel y los ojos. Conduce la electricidad y es corrosivo.

Tome las precauciones adecuadas al manipular los acumuladores a fin de no provocar cortocircuitos con materiales conductores, como anillos, pulseras y llaves. El acumulador o el material conductor podría sobrecalentarse y provocar quemaduras.

Las herramientas que funcionan a batería no requieren enchufarse en una toma de corriente. Por lo tanto, siempre están listas para funcionar. Sea consciente de los posibles peligros, incluso cuando la herramienta no está funcionando. Preste especial atención al efectuar reparaciones u operaciones de mantenimiento en la herramienta.

- **Quite el acumulador antes de llevar a cabo cualquier operación de mantenimiento, limpieza o sustitución de piezas de la herramienta.**
- **Piezas de recambio** - Cuando repare el aparato, use solo piezas de recambio idénticas de EGO. El uso de otros accesorios o piezas podría aumentar el riesgo de lesiones.
- **Las reparaciones de las herramientas eléctricas debe realizarlas un técnico cualificado, utilizando solo piezas de recambio idénticas.** De este modo, podrá garantizarse la seguridad de uso de la herramienta eléctrica.
- **No limpie la herramienta utilizando una manguera. Evite que penetre agua en el motor y en las conexiones eléctricas.**
- **Guarde la herramienta en un lugar seco y alto o cerrado, fuera del alcance de los niños.**
- **Si se produce alguna situación que no esté incluida en este manual, actúe con cuidado y sentido común. Póngase en contacto con el departamento de atención al cliente de EGO para solicitar ayuda.**
- **Guarde estas instrucciones.** Consúltelas con frecuencia y utilícelas para instruir a otras personas que vayan a utilizar esta herramienta. En caso de prestar esta herramienta a terceros, proporciónelas también estas instrucciones a fin de evitar su uso incorrecto y posibles riesgos de lesiones.

GUARDE ESTAS INSTRUCCIONES

NOTA: CONSULTE EN EL MANUAL DEL USUARIO DEL CONJUNTO DE MOTOR LAS INSTRUCCIONES DE SEGURIDAD ESPECÍFICAS ADICIONALES.

ESPECIFICACIONES

Longitud de la cuchilla	51 cm	
Capacidad de corte	26 mm	
Peso (sin acumulador ni protector de espada)	2,20kg	
Temperatura de funcionamiento recomendada	0°C-40°C	
Temperatura de almacenamiento recomendada	-20°C-70°C	
Nivel de potencia acústica ponderado L_{WA}	92,3 dB(A) K=2,72 dB(A)	
Nivel de presión acústica medido a la altura del oído del usuario L_{PA}	80,4 dB(A) K=3 dB(A)	
Nivel de potencia acústica garantizado L_{WA} (según 2000/14/CE)	95 dB(A)	
Nivel de vibraciones a_n	Empuñadura auxiliar delantera	4,9 m/s ² K=1,5 m/s ²
	Empuñadura trasera	6,7 m/s ² K=1,5 m/s ²

- Los parámetros anteriores se han comprobado y medido equipando un conjunto de motor PH1400E.
- El nivel total de vibraciones especificado ha sido medido conforme al método de prueba estándar empleado en la industria y puede utilizarse para efectuar comparaciones entre herramientas.
- Asimismo, el nivel total de vibraciones declarado podrá utilizarse para efectuar una evaluación preliminar de la exposición del usuario a los niveles de vibración generados por la herramienta.

AVISO: Las vibraciones generadas durante el uso real de la herramienta eléctrica podrán diferir del valor declarado en función de la manera en que se utilice. A modo de protección, el usuario deberá utilizar guantes y protectores auditivos en condiciones reales de uso.

LISTA DE EMBALAJE

DENOMINACIÓN DE LA PIEZA	CANTIDAD
Herramienta cortasetos con tubo	1
Llave	1
Funda de la cuchilla	1
Manual del usuario	1

DESCRIPCIÓN

FAMILIARÍCESE CON LA HERRAMIENTA CORTASETOS CON TUBO (fig. A)

- Cuchilla
- Cuadrante
- Gatillo
- Barra del cortasetos con tubo
- Manguito suave
- Tapón
- Palanca de ajuste
- Caja de engranajes
- Llave
- Funda de la cuchilla
- Protector de la punta
(opcional, SE VENDE POR SEPARADO)

MONTAJE

⚠ ADVERTENCIA: Si alguna pieza falta o está rota, no utilice el producto hasta haber sustituido las piezas rotas o instalado las que faltan. Podrían producirse lesiones físicas graves en caso de utilizar el producto si alguna de sus piezas falta o está dañada.

⚠ ADVERTENCIA: No intente modificar esta herramienta en modo alguno ni fabricar accesorios no recomendados para el uso con esta sierra telescópica. Cualquier alteración o modificación se considerará uso indebido y podría provocar una situación peligrosa con riesgo de lesiones graves.

⚠ ADVERTENCIA: No instale ni ajuste nunca ningún accesorio mientras el conjunto de motor esté funcionando o con la batería instalada. El hecho de no apagar el motor y retirar la batería podría provocar lesiones personales graves.

AJUSTE DE LA CUCHILLA

Cuando el cortasetos con tubo se saca del embalaje, está plegado en la posición de almacenamiento, con la cuchilla hacia la barra (fig. B). Se recomienda ajustar la cuchilla a una posición de trabajo adecuada antes de instalarla en el conjunto de motor.

Hay 12 posiciones de trabajo posibles. El ángulo de la cuchilla se puede ajustar hacia arriba en 5 niveles, desde 0° (recta) hasta 45°, incluyendo 0°, y hacia abajo en 7 niveles, desde 0° hasta 90° (ángulo derecho mirando hacia abajo) (fig. C), sin incluir 0°.

- Presione el gatillo de la palanca de ajuste y, al mismo tiempo, gire la palanca de ajuste para poner la cuchilla en la posición de corte que desee (fig. D).
- Cuando esté en la posición deseada, suelte el gatillo. Se oirá un “clic” indicando que la espiga de bloqueo está enganchada en el cuadrante, colocada correctamente en su lugar (fig. D).

Fig. D, ver abajo la descripción de las piezas:

D-1	Cuadrante
D-2	Espiga de bloqueo

⚠ ADVERTENCIA: Para reducir el riesgo de lesiones, realice el ajuste únicamente cuando las cuchillas estén paradas. No toque nunca las cuchillas cuando haga ajustes.

⚠ ADVERTENCIA: Para reducir el riesgo de lesiones, pare siempre la herramienta y ponga la funda de la cuchilla antes de mover la cuchilla a la posición de almacenamiento, o desde la posición de almacenamiento a la posición de trabajo.

INSTALAR/QUITAR LA HERRAMIENTA CORTASETOS CON TUBO EN EL CONJUNTO DE MOTOR

Esta herramienta cortasetos con tubo está diseñada para su uso con el conjunto motor con BATERÍA DE ION DE LITIO de 56 V EGO PH1400E. Además del corte superior, hay una posición de corte lateral en la barra de la herramienta cortasetos con tubo para la conexión al conjunto de motor (fig. E). Consulte las técnicas de trabajo detalladas en el apartado “TÉCNICAS DE TRABAJO” de este manual.

Fig. E, ver abajo la descripción de las piezas:

E-1	Posición de corte superior
E-2	Posición de corte lateral

Consulte el apartado “**INSTALACIÓN DE UN ACCESORIO EN EL CONJUNTO DE MOTOR**” en el manual del usuario del conjunto de motor PH1400E para conectar el cortasetos con tubo al conjunto de motor.

Consulte el apartado “**QUITAR UN ACCESORIO DEL CONJUNTO DE MOTOR**” en el manual del usuario del conjunto de motor PH1400E para desmontar el cortasetos con tubo del conjunto de motor.

ES

MONTAJE DEL PROTECTOR DE LA PUNTA (opcional)

1. Utilice una llave hexagonal de para quitar el tornillo corto, la arandela plana, el casquillo y la tuerca del extremo de la cuchilla (fig. F). Guarde la arandela plana, el casquillo y la tuerca para el montaje.

Fig. F, ver abajo la descripción de las piezas:

F-1	Tuerca	F-3	Arandela plana
F-2	Casquillo	F-4	Tornillo corto

2. Alinee el protector de la punta con el saliente de la cuchilla, e instálelo en su lugar. Sujételo con un tornillo largo y una tuerca nuevos, así como con la arandela, el casquillo y la tuerca que ha guardado (fig. G).

Fig. G, ver abajo la descripción de las piezas:

G-1	Tuerca	G-4	Casquillo
G-2	Protector de la punta	G-5	Arandela plana
G-3	Tuerca	G-6	Tornillo largo

UTILIZACIÓN

⚠ PELIGRO: No corte nunca cerca de líneas eléctricas, cables eléctricos ni otras fuentes de electricidad. Si las cuchillas se atascan en algún cable o línea eléctrica, **¡NO TOQUE LA CUCHILLA NI EL TUBO DE ALUMINIO! PODRÍAN ESTAR BAJO TENSIÓN Y RESULTAR EXTREMADAMENTE PELIGROSOS.** Continúe sujetando el cortasetos con tubo por la empuñadura trasera aislada o deposítelo con cuidado a una distancia prudente. Corte el suministro eléctrico que alimenta el cable dañado antes de intentar liberar la cuchilla del cable donde se ha trabado. El contacto con la cuchilla u otras piezas del cortasetos con tubo, o con las líneas o cables eléctricos bajo tensión, provocará la muerte por electrocución o lesiones graves.

⚠ ADVERTENCIA: No permita que la confianza que supone el hecho de estar familiarizado con el producto dé lugar a descuidos. Recuerde que cualquier distracción de una fracción de segundos es suficiente para sufrir o provocar lesiones graves.

⚠ ADVERTENCIA: Utilice siempre gafas de seguridad con pantallas de protección lateral. De lo contrario, los objetos despedidos por la acción de la herramienta podrían alcanzar sus ojos y provocar lesiones graves oculares o de otro tipo.

Antes de cada uso, examine todo el producto para detectar posibles piezas dañadas, extraviadas o sueltas, como tornillos, tuercas, pernos, tapones, etc. Apriete bien todas las fijaciones y tapones y no utilice el producto hasta haber sustituido las piezas dañadas o instalado las que faltan.

⚠ ADVERTENCIA: Para evitar lesiones físicas graves, saque el acumulador de la herramienta antes de realizar cualquier reparación, limpieza, cambio de accesorios o de retirar acumulaciones de material cortado.

Limpie la herramienta después de cada uso.

Consulte las instrucciones de limpieza en el apartado "Mantenimiento".

APLICACIONES

Puede usar este producto para cortar setos, arbustos, matorrales y materiales similares con un diámetro de la rama menor que Ø26 mm.

AVISO: La herramienta debe utilizarse únicamente para el fin previsto. Cualquier otro uso se considerará uso indebido.

UTILIZACIÓN DEL CORTASETOS CON TUBO CON EL CONJUNTO DE MOTOR

⚠ ADVERTENCIA: Utilice ropa adecuada cuando trabaje con esta herramienta, para reducir el riesgo de lesiones. No lleve puesta ropa holgada ni joyas. Utilice protección ocular y auditiva. Utilice pantalones largos, botas y guantes resistentes. No lleve pantalones cortos, sandalias, ni vaya descalzo.

PREPARACIÓN PARA EL CORTE:

1. Ajuste de la cuchilla a la posición de trabajo deseada.
2. Quite la funda de la cuchilla.
3. Para un funcionamiento mejor y más seguro, póngase la correa bandolera cruzada desde el hombro. Ajuste la correa bandolera en una posición cómoda para utilizar la herramienta. Siga las instrucciones del apartado "MONTAJE DE LA CORREA BANDOLERA" en el manual del usuario del PH1400E para instalar la correa bandolera en el conjunto de motor.

⚠ ADVERTENCIA: La correa bandolera también es un mecanismo de liberación rápida si se produce una situación peligrosa. En caso de emergencia, quítesela del hombro inmediatamente, sin importar cómo esté colocada la correa.

TÉCNICAS DE TRABAJO

- **Corte horizontal (con la cuchilla en ángulo):**

Corte cerca del suelo desde una posición de pie, por ejemplo, arbustos bajos.

Mueva la cuchilla hacia los lados y al mismo tiempo ligeramente hacia arriba y hacia abajo, mientras se desplaza a lo largo del seto. Use los dos lados de las cuchillas y no apoye la cuchilla en el suelo (fig. H).

- **Corte horizontal (con la cuchilla recta):**

Sujete la herramienta con la cuchilla en un ángulo de 0° to 10° y, al mismo tiempo, mueva horizontalmente el cortasetos con tubo. Desplace la cuchilla formando un arco hacia el exterior del seto, de forma que los recortes caigan al suelo (fig. I, J y K).

Recomendación: En esta posición, corte solo setos que no superen la altura del pecho.

- **Corte vertical (con la cuchilla en ángulo):** Corte sin estar de pie directamente junto al seto, por ejemplo, con un parterre entre el usuario y el seto.

En esta posición de corte, para controlar mejor la herramienta, se recomienda conectar el cortasetos con el conjunto de motor en la posición de corte lateral (ver fig. E).

Mueva la cuchilla hacia arriba y hacia abajo formando un arco, a medida que se desplaza a lo largo del seto. Use los dos lados de la cuchilla (fig. L).

- **Corte vertical (con la cuchilla recta):** Alcance más largo sin necesidad de otros accesorios.

Mueva la cuchilla hacia arriba y hacia abajo formando un arco, a medida que se desplaza a lo largo del seto. Use los dos lados de la cuchilla (fig. M).

- **Corte en altura (con la cuchilla en ángulo)**

Sujete el cortasetos verticalmente y muévelo formando un arco para aprovechar el máximo alcance (fig. N). Para los setos extremadamente altos, se puede utilizar como ayuda el tubo de extensión.

⚠ ADVERTENCIA: Las posiciones de trabajo a una altura por encima de la cabeza provocan fatiga. Para minimizar el riesgo de accidente, trabaje en esa posición solo durante periodos cortos. Ajuste al máximo el ángulo de la cuchilla para poder sujetar la herramienta en una posición más baja y menos fatigosa (con la correa bandolera), manteniendo un alcance adecuado.

PARA PONER EN MARCHA/PARAR LA HERRAMIENTA

Consulte el apartado “**PUESTA EN MARCHA/PARADA DEL CONJUNTO DE MOTOR**” del manual del usuario del conjunto de motor PH1400E.

MANTENIMIENTO

⚠ ADVERTENCIA: Antes de inspeccionar, limpiar o reparar la unidad, apague el motor, espere a que se detengan todas las partes móviles y retire el acumulador. El incumplimiento de estas instrucciones podría tener como resultado lesiones personales graves o daños materiales.

⚠ ADVERTENCIA: Cuando efectúe reparaciones en la herramienta, utilice únicamente piezas idénticas a las originales. La utilización de piezas diferentes puede suponer un peligro o causar daños en el producto. Para garantizar la seguridad y fiabilidad del producto, confíe cualquier reparación que sea necesaria a personal técnico cualificado.

MANTENIMIENTO GENERAL

Evite utilizar disolventes para limpiar los elementos plásticos del producto. La mayoría de las piezas de plástico utilizadas son susceptibles de sufrir daños si se limpian con algunos de los tipos de disolventes disponibles en el mercado. Utilice paños limpios para eliminar la suciedad y los residuos de polvo, aceite, grasa, etc.

LIMPIEZA DE LA UNIDAD

- Utilice un cepillo suave para eliminar restos de recortes de material y acumulaciones de suciedad de todos los orificios de ventilación, así como de la cuchilla de corte.
- Para eliminar restos de savia y otros residuos pegajosos, rocíe la cuchilla con disolvente para resina. Haga funcionar brevemente el motor a fin de repartir bien el disolvente por toda la cuchilla.
- No utilice detergentes fuertes en la carcasa de plástico ni en la empuñadura. Algunos aceites aromáticos, como aquellos a base de limón o pino, y disolventes como el queroseno, podrían dañar estas piezas. La humedad puede también contribuir al riesgo de sufrir descargas eléctricas. Utilice un paño suave y seco para eliminar cualquier resto de humedad. Nunca utilice agua para limpiar la herramienta.

AFILADO DE LA CUCHILLA

Cuando empiece a empeorar el rendimiento de corte y el comportamiento de la herramienta, por ejemplo, si las cuchillas se atascan con frecuencia en las ramas: vuelva a afilar las cuchillas.

Se recomienda encargar el afilado de las cuchillas a un técnico cualificado.

AVISO: No utilice el cortasetos con una cuchilla escasamente afilada o dañada. De lo contrario, podría sobrecargar la herramienta y obtener unos resultados de corte poco satisfactorios.

LUBRICACIÓN DE LA CUCHILLA

ES

Para evitar que se oxide, se recomienda lubricar la cuchilla con aceite antióxido cuando se almacene durante mucho tiempo.

⚠ ADVERTENCIA: Las cuchillas están muy afiladas. Utilice guantes de protección robustos y antideslizantes cuando manipule la cuchilla. No ponga las manos ni los dedos entre las cuchillas ni en ninguna otra posición donde puedan sufrir cortes o pellizcos. NUNCA toque las cuchillas ni repare la herramienta con el acumulador instalado.

LUBRICACIÓN DE LOS ENGRANAJES DE TRANSMISIÓN

Los engranajes de transmisión de la caja de engranajes deberán lubricarse periódicamente con grasa para engranajes. Compruebe el nivel de grasa de la caja de engranajes cada 50 horas de uso retirando el tornillo de sellado de la caja de engranajes. Hay tres tornillos de sellado, uno en el lateral y dos en la parte superior.

Si no se ve grasa en los flancos de los engranajes, siga los pasos que se indican a continuación para rellenar con grasa para engranajes hasta 3/4 de la capacidad.

No rellene por completo los engranajes de transmisión con grasa.

1. Dependiendo del tornillo que quite, sujete el cortasetos con tubo por el lateral, o depositelo sobre su parte trasera, de forma que el tornillo a quitar esté hacia arriba (fig. O y P).
2. Use la llave suministrada para aflojar y quitar el tornillo de sellado.
3. Utilice una jeringa engrase (no incluida) para inyectar la grasa en el orificio del tornillo; no sobrepase 3/4 de la capacidad.
4. Apriete el tornillo de sellado tras la inyección.

ALMACENAMIENTO DE LA HERRAMIENTA

- Quite el acumulador de la herramienta.
- Limpie minuciosamente la herramienta antes de proceder a su almacenamiento.
- Ponga la funda en la cuchilla antes de guardarla o transportarla. Tenga cuidado para evitar cortarse con los dientes de la cuchilla, ya que están muy afilados.
- Si el cortasetos se quita del conjunto de motor y se almacena por separado, ponga el tapón en el tubo del accesorio para evitar que entre suciedad en el acoplador.
- Almacene la herramienta en un lugar seco y bien ventilado, ya sea cerrado o a una altura suficiente que impida que los niños puedan alcanzarla. No la guarde encima ni cerca de fertilizantes, gasolina u otros productos químicos.

Protección del medio ambiente



¡No elimine aparatos eléctricos, cargadores de baterías, acumuladores recargables o baterías junto con los desperdicios domésticos!

Tanto la Directiva europea 2012/19/UE sobre la eliminación de aparatos eléctricos y electrónicos inservibles como la Directiva europea 2006/66/CE sobre la eliminación de baterías o acumuladores defectuosos o agotados estipulan que dichos elementos deben ser objeto de una recogida selectiva.

Si los aparatos eléctricos acabaran tirándose a vertederos o basureros, podrían desprender sustancias perjudiciales que llegarían a contaminar las capas freáticas y entrar en la cadena alimenticia, con el consecuente peligro para la salud y calidad de vida humana.

RESOLUCIÓN DE PROBLEMAS

ANOMALÍA	CAUSA	SOLUCIÓN
El cortasetos con tubo no funciona.	<ul style="list-style-type: none"> ■ El acumulador no está correctamente insertado en el cortasetos con tubo. ■ No hay contacto eléctrico entre el acumulador y el cortasetos. ■ El acumulador está agotado. ■ No ha presionado simultáneamente la palanca de desbloqueo y el gatillo interruptor. ■ El acumulador o el conjunto de motor se han sobrecalentado. ■ La cuchilla está atascada. ■ El cortasetos con tubo no está bien conectado al conjunto de motor. 	<ul style="list-style-type: none"> ■ Inserte correctamente el acumulador en el cortasetos con tubo. ■ Retire el acumulador, compruebe los contactos eléctricos y vuelva a instalar el acumulador en su sitio. ■ Recargue el acumulador. ■ Mantenga presionada hacia abajo la palanca de desbloqueo y apriete el gatillo interruptor para poner en marcha la herramienta. ■ Espere a que el acumulador o el conjunto de motor se hayan enfriado lo suficiente para que su temperatura sea inferior a 67 °C . ■ Quite el acumulador de la herramienta. Elimine la obstrucción con cuidado, vuelva a instalar la batería y ponga en marcha la herramienta. ■ Desconecte el cortasetos con tubo del conjunto de motor. Vuelva a conectarlo siguiendo el apartado “INSTALACIÓN DE UN ACCESORIO EN EL CONJUNTO DE MOTOR” del manual del usuario del PH1400E.
Vibración o ruido excesivos.	<ul style="list-style-type: none"> ■ Cuchillas secas u oxidadas. ■ Cuchillas o espada dobladas. ■ Dientes doblados o dañados. ■ Tornillos de sujeción de la cuchilla sueltos. 	<ul style="list-style-type: none"> ■ Lubrique la cuchilla. ■ Instale una cuchilla o espada nueva. Póngase en contacto con el Departamento de atención al cliente de EGO para solicitar asistencia o la sustitución de la cuchilla. ■ Instale una cuchilla o espada nueva. Póngase en contacto con el Departamento de atención al cliente de EGO para solicitar asistencia o la sustitución de la cuchilla. ■ Apriete los tornillos de sujeción de la cuchilla. Utilizando una llave de, (no incluida), apriete el tornillo girándolo en sentido horario.

ES

GARANTÍA

POLITICA DE GARANTÍA EGO

Por favor visite nuestra página web egopowerplus.com para los terminos y las condiciones completas de la politica de garantía EGO

LEIA TODAS AS INSTRUÇÕES!



LEIA O MANUAL DO UTILIZADOR

PT

⚠ Risco residual! As pessoas com dispositivos eletrônicos, como pacemakers, deverão consultar o seu médico antes de utilizarem este produto. A utilização de equipamento elétrico perto de um pacemaker pode causar interferências ou falhas no pacemaker.

⚠ AVISO: Para assegurar a segurança e bom funcionamento, todas as reparações e substituições deverão ser efetuadas por um técnico de reparação qualificado.

SEGURANÇA

O intuito destes símbolos de segurança é chamar a sua atenção para possíveis perigos. Os símbolos de segurança e as explicações apresentadas com eles requerem a sua atenção e compreensão. Os avisos de segurança, só por eles, não eliminam o perigo. As instruções e avisos dados não são substitutos para medidas de prevenção adequadas a acidentes.

⚠ AVISO: Certifique-se de que lê e compreende todas as instruções de segurança neste manual do utilizador, incluindo todos os símbolos de alerta de segurança, como **“PERIGO”**, **“AVISO”**, e **“CUIDADO”** antes de utilizar esta ferramenta. Não seguir todas as instruções apresentadas abaixo pode resultar em choque elétrico, incêndio e/ou lesões graves.

SIGNIFICADO DOS SÍMBOLOS

⚠ SÍMBOLO DE ALERTA DE SEGURANÇA: Indica **PERIGO**, **AVISO** ou **CUIDADO**. Pode ser usado juntamente com outros símbolos ou imagens.






⚠ AVISO: O funcionamento de qualquer ferramenta elétrica pode dar origem ao ressalto de quaisquer objetos estranhos que podem atingir os olhos, podendo dar origem a sérias lesões oculares. Antes de começar a utilizar a ferramenta elétrica, utilize sempre óculos de segurança com proteções laterais e uma proteção completa para o rosto, quando necessário. Recomendamos a utilização de máscaras de segurança com visão panorâmica por cima dos óculos ou óculos de segurança padrão com proteção lateral.

INSTRUÇÕES DE SEGURANÇA

Esta página retrata e descreve os símbolos de segurança que podem aparecer neste produto. Leia, compreenda e siga todas as instruções na máquina antes de a tentar montar e utilizar.

	Alerta de segurança	Indica um potencial perigo de lesões pessoais.
	Leia o manual do utilizador	Para reduzir o risco de lesões, o utilizador tem de ler e compreender o manual do utilizador antes de usar este produto.
	Utilize proteção ocular	Utilize sempre óculos de segurança com proteção lateral e, se necessário, uma proteção completa do rosto, quando utilizar este produto.
	Utilize proteção para a cabeça	Use um chapéu de proteção aprovado para proteger a cabeça.
	Use proteção auditiva	Utilize sempre proteção auditiva ao utilizar este produto.
	Comprimento da lâmina	O comprimento da lâmina
	Cortar Capacidade	Capacidade máx. de corte da lâmina
	Mantenha as mãos e pés afastados da ferramenta de corte.	Nunca tente utilizar a sua ferramenta elétrica apenas com uma mão. A perda de controlo da ferramenta elétrica pode dar origem a lesões sérias ou fatais. Para reduzir o risco de cortes, mantenha as mãos e pés afastados da ferramenta de corte. Nunca toque numa ferramenta de corte em movimento com as mãos ou qualquer outra parte do seu corpo.

	Mantenha terceiros afastados.	Certifique-se de que outras pessoas e animais permanecem a, pelo menos, 15m do corta-sebes de haste durante a utilização.
	Não exponha à chuva	Não utilizar à chuva ou deixar no exterior enquanto chove.
IPX4	Símbolo IP	Proteção contra a entrada de água de grau 4
	CE	Este produto encontra-se em conformidade com as diretivas CE aplicáveis
	WEEE	Os produtos elétricos residuais não deverão ser eliminados juntamente com o lixo doméstico comum. Entregue-os num centro de reciclagem autorizado.
	Ruído	Nível de potência do som garantido. Emissão de ruído para o ambiente de acordo com a diretiva da Comunidade Europeia.
V	Volts	Tensão
mm	Milímetro	Comprimento ou tamanho
cm	Centímetro	Comprimento ou tamanho
kg	Quilograma	Peso

INSTRUÇÕES IMPORTANTES DE SEGURANÇA

⚠ AVISO! Quando usar ferramentas elétricas de jardim, deve seguir sempre as precauções básicas de segurança, de modo a reduzir o risco de fogo, choque elétrico ou lesões pessoais, incluindo as seguintes:

LEIA COM ATENÇÃO ANTES DA UTILIZAÇÃO

GUARDE PARA FUTURAS REFERÊNCIAS

⚠ PERIGO! Não utilize perto de linhas elétricas. A unidade não foi criada para proteger contra choques elétricos no caso de contacto com linhas elétricas. Consulte as normas locais quanto a distâncias seguras das linhas elétricas e certifique-se de que a sua posição de trabalho é segura antes de utilizar a ferramenta.

AVISOS DE SEGURANÇA DO CORTA-SEBES

⚠ PERIGO! Mantenha as mãos afastadas da lâmina. O contacto com a lâmina pode dar origem a lesões pessoais sérias.

- **Mantenha todas as partes do corpo afastadas da lâmina de corte. Não retire o material cortado nem segure o material a ser cortado quando as lâminas se encontrarem em movimento. Certifique-se de que o interruptor está na posição de desligado quando retirar material bloqueado.** Um momento de falta de atenção enquanto trabalha com o corta-sebes pode resultar em sérias lesões pessoais.
- **Em máquinas com uma posição de transporte definida (lâmina de corte dobrada contra o eixo do corta-sebes): Nunca ligue a máquina na posição de transporte,** pois as lâminas não estão engatadas nessa posição e não conseguirá verificar visualmente se elas pararam sem carga quando começar a ajustar a lâmina de corte para a posição de corte desejada (onde as lâminas estão engatadas).
- **Transporte o corta-sebes pela pega, com a lâmina de corte desligada.** Quando transportar ou armazenar o corta-sebes, coloque sempre a cobertura do equipamento de corte. Um manuseamento adequado do corta-sebes reduz a possibilidade de lesões devido às lâminas.
- **Não segure as lâminas de corte expostas ou extremidades de corte quando segurar o corta-sebes.**
- **Segure a ferramenta elétrica apenas através das pegas, pois a lâmina de corte pode entrar em contacto com fios escondidos.** O contacto das lâminas de corte com um cabo "vivo" pode fazer com que as peças de metal expostas da ferramenta elétrica deem um choque elétrico ao operador.
- **Mantenha o fio afastado da área de corte.** Durante o funcionamento, o fio pode ficar escondido nos arbustos e ser acidentalmente cortado pela lâmina.
- **Verifique a sebe quanto a objetos estranhos antes da utilização do aparelho, como vedações de arame.**
- **Para reduzir o risco de lesões devido à perda de controlo, certifique-se por completo de que a lâmina de corte está afastada de si e de outras obstruções e objetos, incluindo do chão, pois, quando a ferramenta começa a funcionar, a velocidade do motor é suficientemente rápida para engatar e mover a lâmina de corte na ferramenta.**
- **Não permita que entrem pessoas na área de trabalho.** Certifique-se de que outras pessoas e animais permanecem a, pelo menos, 15m do corta-sebes de haste durante a utilização.

- **Nunca permita que crianças utilizem o corta-sebes.**
 - **Use ambas as mãos quando utilizar o corta-sebes. Usar apenas uma mão pode causar uma perda de controlo e dar origem a lesões pessoais sérias.**
 - **Não se estique. Mantenha sempre a base e o equilíbrio adequados. Tenha especial cuidado em locais escorregadios (chão molhado, neve) e em terreno difícil, coberto de vegetação. Verifique se existem objetos escondidos, como tocos de árvore, raízes e valas, para evitar quedas. Tenha muito cuidado quando trabalhar em encostas ou pisos desnivelados.**
 - **Não use numa escada, telhado, árvore ou outro suporte instável.** Uma base estável numa superfície sólida proporciona um melhor controlo do corta-sebes em situações inesperadas.
 - **Observe constantemente as lâminas de corte. Não corte qualquer área se não conseguir ver a sebe. Quando cortar o topo de uma sebe mais alta, verifique frequentemente o outro lado da sebe para ver se há outras pessoas, animais ou obstruções.**
 - Verifique se existem peças danificadas antes de usar o corta-sebes. Verifique o alinhamento de peças móveis, ligação de peças móveis, fragmentação de peças, montagem e qualquer outra condição que possa afetar o seu funcionamento.
 - Verifique os parafusos da lâmina e da estrutura do motor a intervalos frequentes quanto ao devido aperto. Inspeccione também visualmente a lâmina quanto a danos (ex: Dobras, rachas e desgaste). Substitua a lâmina apenas por uma lâmina da EGO™.
 - Substitua a lâmina se estiver dobrada ou danificada. Uma lâmina desequilibrada causa vibrações que podem danificar a unidade do motor ou causar lesões pessoais.
 - Se a máquina começar a vibrar anormalmente, desligue o motor e verifique imediatamente as causas. A vibração é habitualmente um aviso de problemas.
 - O corta-sebes deverá ser usado para cortar hastes com uma espessura inferior a 26 mm.
 - Trabalhe apenas à luz do dia ou com boa luz artificial.
 - Não use corta-sebes de bateria à chuva.
- AVISOS ADICIONAIS**
- **Não carregue a bateria à chuva ou em condições húmidas.**
 - **Utilize apenas com as baterias e carregadores listados na imagem A.**
 - A bateria tem de ser retirada do aparelho antes de ser eliminada.
 - A bateria tem de ser eliminada de modo seguro.
- **Não atire a bateria para o fogo.** As células podem explodir. Verifique as normas locais quanto a possíveis instruções especiais de eliminação.
 - **Não abra nem altere a bateria.** O electrólito libertado é corrosivo e pode causar lesões nos olhos ou pele. Pode ser tóxico se engolido.
- ⚠ CUIDADO!** O eletrólito é um ácido sulfúrico diluído nocivo para a pele e olhos. É um condutor eletrónico e é corrosivo.
- **Tenha muito cuidado ao manusear as baterias, de modo a não colocá-las em curto-circuito com materiais condutores, como anéis, pulseiras e chaves.** A bateria ou o condutor podem sobreaquecer e causar queimaduras.
 - **As ferramentas que funcionam a bateria não têm de ser ligadas a uma tomada. Assim, estão sempre em estado de funcionamento.** Tenha cuidado com possíveis perigos quando o aparelho não estiver a funcionar. Tenha cuidado quando efetuar a manutenção ou reparações.
 - **Retire ou desligue a bateria antes de reparar, limpar ou retirar material da ferramenta.**
 - **Peças de substituição** - Quando fizer reparações, utilize apenas peças sobressalentes idênticas da EGO. A utilização de outros acessórios pode aumentar o risco de lesões.
 - **A manutenção da sua ferramenta elétrica deverá ser sempre efetuada por pessoas qualificadas, utilizando apenas peças sobressalentes idênticas.** Tal irá assegurar que a segurança da ferramenta elétrica é mantida.
 - **Não lave com uma mangueira. Evite que entre água no motor e nas ligações elétricas.**
 - **Guarde a ferramenta num local seco, seguro e fora do alcance das crianças.**
 - **Se ocorrerem situações que não sejam abrangidas por este manual, tenha cuidado e faça uso do bom senso. Contacte o centro de reparação da EGO para obter assistência.**
 - **Guarde estas instruções.** Consulte com frequência e utilize estas instruções para instruir outras pessoas sobre a forma de utilizar este equipamento. Se emprestar este aparelho, entregue também estas instruções, para evitar uma má utilização do produto e possíveis lesões.

GUARDE ESTAS INSTRUÇÕES

NOTA: CONSULTE O MANUAL DE INSTRUÇÕES DA SUA CABEÇA MOTORA PARA OBTER AS REGRAS DE SEGURANÇA ADICIONAIS ESPECÍFICAS.

ESPECIFICAÇÕES

Comprimento da lâmina	51 cm	
Capacidade de corte	26 mm	
Peso (sem a bateria)	2,20 kg	
Temperatura de funcionamento recomendada	0°C-40°C	
Temperatura de armazenamento recomendada	-20°C-70°C	
Nível de potência do som medido L_{WA}	92,3 dB(A) K=2,72 dB(A)	
Nível da pressão do som no ouvido do operador L_{PA}	80,4 dB(A) K=3 dB(A)	
Nível de potência do som garantido L_{WA} (de acordo com 2000/14/CE)	95 dB(A)	
Vibração a_h	Pega auxiliar dianteira	4,9 m/s ² K=1,5 m/s ²
	Pega traseira	6,7 m/s ² K=1,5 m/s ²

- As definições apresentadas anteriormente são testadas e medidas equipadas com a cabeça motora PH1400E.
- O valor total declarado da vibração foi medido de acordo com um método de teste padrão e pode ser usado para comparar duas ferramentas;
- O valor total declarado da vibração também pode ser usado numa avaliação preliminar da exposição.

AVISO: A emissão de vibrações durante a utilização da ferramenta elétrica pode diferir do valor declarado em que a ferramenta é usada. De modo a proteger o utilizador, este deverá utilizar luvas e proteção auditiva nas condições atuais de utilização.

LISTA DE PEÇAS

NOME DA PEÇA	QUANTIDADE
Acessório de corta-sebes de haste	1
Chave	1
Bainha da lâmina	1
Manual do utilizador	1

DESCRIÇÃO

CONHEÇA O SEU ACESSÓRIO DE CORTA-SEBES DE HASTE (Imagem A)

1. Lâmina de corte
2. Quadrante
3. Gatilho
4. Eixo do corta-sebes de haste
5. Manga suave
6. Tampão da extremidade
7. Alavanca de ajuste
8. Caixa do carroto
9. Chave
10. Bainha da lâmina
11. Protetor da ponta
(Opcional, VENDIDO SEPARADAMENTE)

PT

MONTAGEM

AVISO: Se quaisquer peças estiverem danificadas ou em falta, não utilize este produto até as peças serem substituídas. Utilizar este produto com peças danificadas ou em falta pode dar origem a lesões pessoais sérias.

AVISO: Não tente modificar este produto nem criar acessórios que não sejam recomendados para utilizar com esta podadora. Qualquer alteração ou modificação é considerada uma má utilização e pode dar origem a perigos, que podem levar a lesões pessoais sérias.

AVISO: Nunca instale nem ajuste qualquer acessório enquanto a cabeça motora estiver a funcionar ou com a bateria instalada. Falha em parar o motor e retirar a bateria pode causar lesões pessoais sérias.

AJUSTAR A LÂMINA DE CORTE

Quando o corta-sebes de haste é retirado da caixa, vem dobrado na sua posição de armazenamento com a lâmina de corte contra o eixo (Imagem B). Recomendamos que ajuste a lâmina de corte para uma posição de funcionamento adequada antes de a fixar à cabeça motora.

Existem 12 posições de funcionamento possíveis. O ângulo da lâmina de corte pode ser ajustado para cima em 5 fases, de 0° (reto) a 45°, incluindo 0°, e para baixo em 7 fases, de 0° a 90° (ângulo reto virado para baixo) (Imagem C), não incluindo 0°.

1. Prima o gatilho na alavanca de ajuste e, entretanto, rode a alavanca de ajuste para ajustar a lâmina de corte para a posição de corte desejada (Imagem D).

- Quando a posição desejada for obtida, liberte o gatilho. Um clique audível indica que a cavilha de fixação está devidamente engatada no quadrante (Imagem D).

Consulte a Imagem D em baixo para a descrição das peças:

D-1	Quadrante
D-2	Cavilha de fixação

PT

⚠️ AVISO: Para reduzir o risco de lesões, efetue o ajuste apenas quando as lâminas de corte estiverem paradas. Nunca toque nas lâminas enquanto efetuar ajustes.

⚠️ AVISO: Para reduzir o risco de lesões, pare sempre a ferramenta e coloque a bainha da lâmina antes de mover a lâmina de corte para a posição de armazenamento ou da posição de armazenamento para a posição normal de funcionamento.

LIGAR/RETIRAR O ACESSÓRIO DO CORTA-SEBES DE HASTE À CABEÇA MOTORA

Este acessório de corta-sebes de haste foi criado para ser usado com a cabeça motora EGO de 56V de íão e lítio PH1400E. Para além do corte superior, também tem uma posição de corte lateral no eixo do corta-sebes de haste para ligar a cabeça motora (Imagem E). Para técnicas de trabalho pormenorizadas, consulte a secção “TÉCNICAS DE TRABALHO” neste manual.

Consulte a Imagem E em baixo para a descrição das peças:

E-1	Posição de corte superior
E-2	Posição de corte lateral

Consulte a secção “**INSTALAR UM ACESSÓRIO NA CABEÇA MOTORA**” no manual de utilização da cabeça motora PH1400E para ligar o corta-sebes de haste à cabeça motora.

Consulte a secção “**RETIRAR O ACESSÓRIO DA CABEÇA MOTORA**” no manual de utilização da cabeça motora PH1400E para retirar o corta-sebes de haste da cabeça motora.

MONTAR O PROTETOR DA PONTA (Opcional)

- Use uma chave sextavada de para retirar o parafuso curto, anilha plana, casquilho e porca na extremidade da lâmina de corte (Imagem F). Guarde a anilha plana, casquilho e porca para voltar a montar.

Consulte a Imagem F em baixo para a descrição das peças:

F-1	Porca	F-3	Anilha plana
F-2	Casquilho	F-4	Parafuso curto

- Alinhe o protetor da ponta com a saliência na lâmina de corte e monte no respetivo lugar. Fixe com o novo parafuso comprido e porca, bem como com a anilha, casquilho e porca guardados (Imagem G).

Consulte a Imagem G em baixo para a descrição das peças:

G-1	Porca	G-4	Casquilho
G-2	Protetor da ponta	G-5	Anilha plana
G-3	Porca	G-6	Parafuso comprido

FUNCIONAMENTO

⚠️ PERIGO: Nunca corte perto de linhas elétricas, cabos elétricos ou outras fontes elétricas. Se as lâminas de corte prenderem em qualquer fio ou linha elétrica, **NÃO TOQUE NA LÂMINA DE CORTE NEM NA HASTE DE ALUMÍNIO! ESTAS PODEM ESTAR SOB TENSÃO E PODEM SER MUITO PERIGOSAS.** Continue a segurar o corta-sebes de haste pela pega traseira isolada ou pouso-o afastado de si, de forma segura. Desligue a alimentação elétrica do fio danificado antes de tentar libertar a lâmina de corte da linha ou fio. O contacto com a lâmina de corte, outras peças condutoras do corta-sebes de haste ou fios elétricos pode dar origem a morte por electrocussão ou lesões sérias.

⚠️ AVISO: Não deixe que a sua familiaridade com o produto o torne descuidado. Lembre-se, uma fração de segundo de desatenção é suficiente para infligir ferimentos graves.

⚠️ AVISO: Utilize sempre proteções oculares com escudos laterais. O não cumprimento pode resultar na projeção de objetos para os olhos e outros possíveis ferimentos graves.

Antes de cada utilização, verifique se há peças soltas, danificadas ou em falta, tais como parafusos, porcas, tampões, etc. Aperte bem todos os fixadores e tampões e não utilize este produto, sem substituir primeiro todas as peças danificadas ou em falta.

⚠️ AVISO: Para evitar lesões pessoais sérias, retire a bateria antes da reparação, limpeza, mudança de acessórios ou remoção de material da unidade.

Após cada utilização, limpe a ferramenta.

Consulte a secção “Manutenção” para obter instruções de limpeza.

APLICAÇÕES

Pode utilizar este produto para cortar sebes, arbustos, moitas e material semelhante com um diâmetro de ramo inferior a Ø26 mm.

AVISO: A ferramenta tem de ser usada apenas conforme descrito. Qualquer outra utilização será considerada má utilização.

USAR O CORTA-SEBES DE HASTE COM A CABEÇA MOTORA

AVISO: Vista-se adequadamente para reduzir o risco de lesões quando utilizar este aparelho. Não utilize roupa larga ou jóias. Use proteções oculares e auditivas. Use calças compridas e resistentes, mangas compridas, botas e luvas. Não utilize roupa curta, sandálias nem ande descalço.

PREPARAÇÃO PARA O CORTE

1. Ajuste a lâmina de corte para a posição de funcionamento desejada.
2. Retire a bainha da lâmina de corte.
3. Por razões de segurança e para um melhor funcionamento, coloque a alça para os ombros. Ajuste a alça numa posição de funcionamento confortável. Siga as instruções na secção “MONTAGEM DA ALÇA” no manual de utilização da PH1400E para fixar a alça na cabeça motora.

AVISO: A alça para o ombro é também um mecanismo de libertação rápida em situações perigosas. Quando ocorre uma emergência, retire-a imediatamente do seu ombro, não importa o modo como a alça se encontra.

TÉCNICAS DE TRABALHO

- **Corte horizontal (com a lâmina de corte num ângulo):** Corte arbustos baixos, perto do chão, a partir de uma posição estável.

Oscile a lâmina de corte para cima e para baixo à medida que vai avançando pela sebe. Use ambos os lados das lâminas de corte. Não coloque a lâmina de corte no chão (Imagem H).

- **Corte horizontal (com lâmina de corte direita):**

Segure a lâmina de corte a um ângulo de 0° a 10° à medida que oscila horizontalmente o corta-sebes de haste. Oscile a lâmina de corte em arco para o lado de fora da sebe, de modo a que os restos caiam para o chão (Imagem I J e K).

Recomendação: Corte apenas sebes que não sejam mais altas do que a altura do seu peito nesta posição de trabalho.

- **Corte vertical (com a lâmina de corte num ângulo):** Corte sem estar diretamente ao lado da sebe, como nos casos em que haja um canteiro entre o operador e a sebe.

Nesta posição de corte, controla melhor o corta-sebes de haste. Recomendamos que ligue o corta-sebes de haste a uma cabeça motora na posição de corte lateral (consulte a Imagem E).

Oscile a lâmina de corte para cima e para baixo em arco à medida que vai avançando na sebe. Use ambos os lados da lâmina de corte (Imagem L).

- **Corte vertical (com lâmina de corte direita):** Alcance extra longo sem precisar de outro tipo de auxílio.

Oscile a lâmina de corte para cima e para baixo em arco à medida que vai avançando na sebe. Use ambos os lados da lâmina de corte (Imagem M).

- **Corte acima da altura da sua cabeça (com a lâmina de corte num ângulo):**

Segure o corta-sebes na vertical e oscile-o em arco para aproveitar ao máximo o seu alcance (Imagem N). Para sebes extremamente altas, a haste de extensão é adequada para ajudar no corte.

AVISO: Qualquer posição de trabalho acima da altura da cabeça é cansativa. Para minimizar o risco de acidentes, trabalhe nesta posição apenas durante curtos períodos de tempo. Defina o ângulo da lâmina de corte para o máximo, de modo a que a ferramenta possa ser segurada numa posição mais baixa e menos cansativa (com a alça para os ombros) enquanto continua a ter o alcance adequado.

LIGAR/DESLIGAR A FERRAMENTA

Consulte a secção “LIGAR/DESLIGAR A CABEÇA MOTORA” no manual de utilização da cabeça motora PH1400E.

MANUTENÇÃO

AVISO: Antes de inspecionar, limpar ou reparar a unidade, pare o motor, espere que todas as peças móveis parem por completo e retire a bateria. O não seguimento destas instruções pode dar origem a lesões corporais sérias ou danos de propriedade.

AVISO: Quando fizer reparações, utilize apenas peças de substituição idênticas. A utilização de outras peças pode dar origem a perigos ou danos no produto. Para assegurar a segurança e bom funcionamento, todas as reparações deverão ser efetuadas por um técnico de reparação qualificado.

MANUTENÇÃO GERAL

Evite usar solventes quando limpar peças de plástico. Grande parte dos plásticos é susceptível a danos devido a vários tipos de solventes comerciais. Use panos limpos para retirar a sujidade, pó, óleo, gordura, etc.

LIMPEZA DA UNIDADE

- Use uma escova suave para retirar o lixo das entradas de ar e da lâmina de corte.
- Para retirar a resina e outros resíduos colantes, pulverize as lâminas com solvente para resina. Deixe o motor funcionar durante uns instantes para que o solvente seja distribuído uniformemente.
- Não utilize detergentes fortes na estrutura de plástico ou na pega. Estes podem ser danificados por determinados óleos aromáticos, como pinho e limão por solventes como querosene. A humidade também pode causar um perigo de choque. Retire qualquer vestígio de humidade com um pano suave e seco. Nunca utilize água para limpar a ferramenta.

AFIAR A LÂMINA DE CORTE

Quando o desempenho do corte ou o comportamento começarem a diminuir, como no caso de as lâminas ficarem presas nos ramos: Volte a afiar as lâminas de corte.

Recomendamos que as lâminas de corte sejam afiadas por um técnico qualificado.

AVISO: Não utilize o corta-sebes com lâminas de corte que não estejam afiadas ou que estejam danificadas. Isso pode causar uma sobrecarga e dar resultado a um corte insatisfatório.

LUBRIFICAR A LÂMINA

Para evitar ferrugem, recomendamos que lubrifique as lâminas com óleo anti-ferrugem quando guardar o aparelho durante um longo período de tempo.

AVISO: As lâminas são afiadas. Quando manusear o conjunto da lâmina, use luvas de proteção anti-derrapantes e resistentes. Não coloque a mão ou os dedos entre as lâminas ou em qualquer posição em que possam ficar presos ou ser cortados. NUNCA toque nas lâminas nem repare a unidade com a bateria colocada.

LUBRIFICAÇÃO DOS CARRETOS DE TRANSMISSÃO

Os carretos de transmissão na caixa dos carretos têm de ser lubrificados periodicamente com lubrificante para carretos. Verifique o nível de lubrificação da caixa dos carretos a cada 50 horas de funcionamento, retirando o parafuso vedante na caixa dos carretos. Existem três parafusos vedantes: Um na parte lateral e dois no topo.

Se não vir qualquer lubrificante nas partes laterais do carreto, siga os passos apresentados em baixo para atestar com lubrificante para carretos até 3/4 da capacidade.

Não encha completamente os carretos de transmissão.

1. Dependendo do parafuso que retirar, segure o corta-sebes de haste de lado ou de costas, de modo a que o parafuso vedante retirado fique virado para cima (Imagem O e P).
2. Use a chave fornecida para desapertar e retirar o parafuso vedante.
3. Use uma seringa lubrificante (não incluída) para injetar algum lubrificante no orifício do parafuso. Não exceda 3/4 da capacidade.
4. Aperte o parafuso vedante após a injeção.

GUARDAR A UNIDADE

- Retire a bateria da ferramenta.
- Limpe bem o aparelho antes de o guardar.
- Coloque a bainha da lâmina na lâmina de corte antes de guardar ou transportar. Tenha cuidado para evitar os dentes afiados da lâmina.
- Se o corta-sebes for retirado da cabeça motora e guardado em separado, coloque a tampa da extremidade no eixo do acessório para evitar que entre sujidade no acoplador.
- Guarde a unidade num local seco, bem ventilado, trancado ou elevado, fora do alcance das crianças. Não armazene a unidade em cima ou perto de fertilizantes, gasolina ou outros químicos.

Proteção do ambiente



Não elimine o equipamento elétrico, o carregador da bateria e as baterias/ baterias recarregáveis juntamente com o lixo doméstico comum!

De acordo com a norma europeia 2002/19/UE, o equipamento elétrico e eletrónico que deixe de ser usado e de acordo com a norma europeia 2006/66/CE, as baterias gastas ou defeituosas têm de ser recolhidas em separado.

Se os equipamentos elétricos forem eliminados em aterros ou lixeiras, substâncias perigosas podem vazar para os lençóis freáticos e entrar na cadeia de alimentação, danificando a sua saúde e bem-estar.

RESOLUÇÃO DE PROBLEMAS

PROBLEMA	CAUSA	SOLUÇÃO
O corta-sebes de haste não funciona.	<ul style="list-style-type: none"> ■ A bateria não foi colocada no corta-sebes de haste. ■ Não existe contacto elétrico entre o corta-sebes e a bateria. ■ A bateria está gasta. ■ O botão de desbloqueio não foi premido antes de premir o interruptor do gatilho. ■ A bateria ou cabeça motora estão muito quentes. ■ A lâmina está presa. ■ O corta-sebes de haste não está bem ligado à cabeça motora. 	<ul style="list-style-type: none"> ■ Fixe a bateria no corta-sebes de haste. ■ Retire a bateria, verifique os contactos e volte a instalar a bateria. ■ Carregue a bateria. ■ Prima a alavanca de bloqueio e mantenha premida, depois prima o gatilho para ligar a ferramenta. ■ Deixe a bateria ou a cabeça motora arrefecer até que a temperatura atinja menos de 67 °C. ■ Retire a bateria da ferramenta. Retire cuidadosamente a obstrução e volte a inserir a bateria e a reiniciar a ferramenta. ■ Desligue o corta-sebes de haste da cabeça motora. Volte a ligar de acordo com a secção “INSTALAR UM ACESSÓRIO NA CABEÇA MOTORA” no manual de utilização da PH1400E.
Vibração excessiva ou ruído.	<ul style="list-style-type: none"> ■ Lâminas secas ou corroídas. ■ As lâminas ou suporte das lâminas está dobrado. ■ Dentes dobrados ou danificados. ■ Parafusos da lâmina soltos. 	<ul style="list-style-type: none"> ■ Lubrifique as lâminas. ■ Substitua por uma lâmina ou suporte novo. Contacte o serviço de apoio ao cliente da EGO para efetuar a substituição da lâmina ou obter ajuda. ■ Substitua por uma lâmina ou suporte novo. Contacte o serviço de apoio ao cliente da EGO para efetuar a substituição da lâmina ou obter ajuda. ■ Aperte os parafusos da lâmina. Com uma chave de (não incluída), rode o parafuso no sentido dos ponteiros do relógio para apertar.

PT

GARANTIA

POLÍTICA DE GARANTIA EGO

Por favor, visite o website egopowerplus.com para saber todos os termos e condições da política de garantia EGO

LEGGERE TUTTE LE ISTRUZIONI!



LEGGERE IL MANUALE DI ISTRUZIONI

⚠️ Rischi residui! Le persone portatrici di dispositivi elettronici, ad esempio pacemaker, devono consultare il proprio medico prima di usare questo prodotto. L'utilizzo di apparecchi elettrici in prossimità di pacemaker cardiaci comporta il rischio di interferenze o malfunzionamento del pacemaker.

⚠️ AVVERTENZA! Per garantire sicurezza e affidabilità, tutte le riparazioni e sostituzioni devono essere eseguite da un tecnico qualificato.

SIMBOLI DI SICUREZZA

Lo scopo dei simboli di sicurezza è attirare l'attenzione dell'operatore su possibili pericoli. I simboli di sicurezza e le relative spiegazioni richiedono la massima attenzione e comprensione da parte dell'operatore. Le avvertenze espresse dai simboli, da sole, non eliminano tutti i rischi. Le istruzioni e le avvertenze non sostituiscono le adeguate misure di prevenzione contro gli incidenti.

⚠️ AVVERTENZA! Accertarsi di aver letto e compreso tutte le istruzioni di sicurezza in questo manuale, inclusi tutti i simboli di avvertenza come **“PERICOLO”**, **“AVVERTENZA”** e **“ATTENZIONE”**, prima di usare questo apparecchio. Il mancato rispetto di tutte le istruzioni elencate di seguito comporta il rischio di scossa elettrica, incendio e/o lesioni gravi.

SIGNIFICATO DEI SIMBOLI

⚠️ AVVERTENZA DI SICUREZZA: Indica **PERICOLO**, **AVVERTENZA** o **ATTENZIONE**. Può essere usato in combinazione con altri simboli.



⚠️ AVVERTENZA! L'uso di apparecchi elettrici può causare il lancio di oggetti estranei verso l'operatore, con il rischio di gravi lesioni agli occhi. Durante l'uso dell'apparecchio, indossare sempre occhiali protettivi o occhiali di sicurezza con protezioni laterali e, se necessario, una maschera facciale. Si consiglia di indossare una maschera di sicurezza con ampio campo visivo sopra gli occhiali o gli occhiali di sicurezza standard con protezioni laterali.

ISTRUZIONI DI SICUREZZA

Questa pagina illustra e descrive i simboli di sicurezza che possono comparire sul prodotto. Leggere, comprendere e seguire tutte le istruzioni sull'apparecchio prima di tentare di assemblarlo e ripararlo.

	Avvertenza di sicurezza	Indica un potenziale rischio di infortunio.
	Leggere Il Manuale Di Istruzioni	Per ridurre il rischio di infortunio, l'utente deve leggere e comprendere tutte le istruzioni prima di usare questo prodotto.
	Indossare protezioni per gli occhi	Durante l'uso del prodotto, indossare sempre occhiali protettivi o occhiali di sicurezza con protezioni laterali e una maschera facciale.
	Indossare protezioni per la testa	Indossare un casco di sicurezza omologato per proteggere la testa.
	Indossare dispositivi di protezione per le orecchie	Durante l'uso del prodotto, indossare sempre protezioni per le orecchie.
	Lunghezza della lama	La lunghezza della lama
	Capacità di taglio	Profondità di taglio max. della lama
	Ten-ere mani e piedi lontani dall'accessorio di taglio.	Non tentare di usare l'utensile elettrico con una sola mano. La perdita di controllo dell'utensile elettrico comporta il rischio di lesioni gravi o fatali. Per ridurre il rischio di lesioni da taglio, tenere mani e piedi lontani dall'accessorio di taglio. Non toccare un accessorio di taglio in movimento con le mani o altre parti del corpo.

	Tenere lontane le altre persone	Assicurarsi che eventuali altre persone e animali rimangano ad almeno 15 m di distanza dall'apparecchio quando è in funzione.
	Non esporre alla pioggia	Non usare l'apparecchio in caso di pioggia e non lasciarlo all'aperto quando piove.
IPX4	Simbolo IP	Protezione contro l'ingresso di acqua di livello 4
	CE	Questo prodotto è con-forme alle direttive europee applicabili.
	RAEE	I prodotti elettrici non devono essere smaltiti insieme ai rifiuti domestici. Portarli presso un centro di riciclaggio autorizzato.
	Rumore	Livello di potenza sonora garantito. Emissione di rumore nell'ambiente conforme alla direttiva dell'Unione europea.
V	Volt	Voltaggio
mm	Millimetro	Lunghezza o dimensioni
cm	Centimetro	Lunghezza o dimensioni
kg	Chilogrammo	Peso

ISTRUZIONI DI SICUREZZA IMPORTANTI

⚠ AVVERTENZA! Durante l'uso di apparecchi per il giardinaggio è necessario rispettare alcune elementari norme di sicurezza per ridurre il rischio di incendio, scossa elettrica e infortunio, tra cui le seguenti.

LEGGERE ATTENTAMENTE PRIMA DELL'USO

CONSERVARE PER RIFERIMENTO FUTURO

⚠ PERICOLO! Non usare in prossimità di linee elettriche. L'apparecchio non è progettato per fornire protezione dal rischio di scossa elettrica in caso di contatto con linee elettriche sospese. Consultare le normative locali per la distanza di sicurezza dalle linee elettriche sospese e assicurarsi che la posizione operativa sia sicura prima di usare l'apparecchio.

AVVERTENZE DI SICUREZZA SPECIFICHE PER TAGLIASIEPI

⚠ PERICOLO! Tenere le mani lontane dalla lama. Il contatto con la lama comporta il rischio di lesioni gravi.

- **Tenere tutte le parti del corpo distanti dalla lama. Non rimuovere il materiale tagliato e non tenere il materiale da tagliare quando le lame sono in movimento. Verificare che l'interruttore sia in posizione di spegnimento durante la rimozione di materiale incastrato.** Anche un solo momento di disattenzione durante l'uso del tagliasiepi comporta il rischio di lesioni gravi.
- **Per gli apparecchi dotati di una particolare posizione di trasporto (accessorio di taglio ripiegato contro l'asta del tagliasiepi): non avviare mai l'apparecchio in posizione di trasporto,** perché in tale posizione le lame non sono innestate, e non è possibile controllare visivamente se si arrestano durante la regolazione dell'altezza di taglio (quando le lame sono innestate).
- **Trasportare l'apparecchio tramite l'impugnatura e con la lama completamente ferma.** Quando si trasporta o si ripone l'apparecchio, inserire sempre il coprilama. La corretta manipolazione dell'apparecchio riduce il rischio di infortuni causati dalla lama.
- **Non afferrare la parte esposta della lama di taglio o i bordi taglienti quando si raccoglie o si usa il tagliasiepi.**
- **Tenere il tagliasiepi esclusivamente tramite le superfici di presa, perché la lama di taglio può entrare in contatto con cavi elettrici nascosti.** Se entra in contatto con un cavo sotto tensione, la lama di taglio può trasmettere la corrente alle parti metalliche dell'utensile elettrico, comportando il rischio di scossa elettrica.
- **Tenere il cavo lontano dall'area di taglio.** Durante l'uso, il cavo può nascondersi tra i cespugli e venire accidentalmente tagliato dalla lama.
- **Controllare che la siepe sia priva di oggetti estranei, ad esempio fili metallici.**
- **Per ridurre il rischio di perdita di controllo, assicurarsi che la lama di taglio sia lontana dal proprio corpo e da altri oggetti, incluso il terreno, durante l'avvio dell'utensile, a causa dell'alta velocità del motore.**
- **Evitare che altre persone accedano all'area di lavoro.** Assicurarsi che eventuali altre persone e animali rimangano ad almeno 15 m di distanza dall'apparecchio quando è in funzione.

- Non permettere mai ai bambini di usare il taglia siepi.
- Tenere il taglia siepi con entrambe le mani durante l'uso. Tenerlo con una sola mano può causarne la perdita di controllo con il conseguente rischio di lesioni gravi.
- Non sbilanciarsi o sporgersi. Mantenere sempre un buon equilibrio evitando posizioni instabili. Prestare particolare attenzione in condizioni scivolose (terreno bagnato, neve) e su terreni difficili con vegetazione alta. Fare attenzione all'eventuale presenza di ostacoli come tronconi, radici e fossi per evitare il rischio di inciampare o cadere. Prestare particolare attenzione quando si lavora su terreni pendenti o irregolari.
- Non usare l'utensile su scale, tetti, alberi o altri supporti instabili. Un appoggio stabile su una superficie solida garantisce un miglior controllo del taglia siepi in situazioni inaspettate.
- Osservare costantemente le lame di taglio – non tagliare aree della siepe nascoste alla vista. Quando si taglia la cima di una siepe alta, controllare frequentemente l'altro lato della siepe per verificare che non siano presenti persone, animali o ostacoli.
- Controllare che il taglia siepi non presenti componenti danneggiati prima di usarlo. Verificare che le parti mobili non siano disallineate o piegate, che il telaio e i componenti non siano danneggiati e che non siano presenti altre condizioni suscettibili di compromettere il funzionamento del taglia siepi.
- Controllare a brevi intervalli che la lama e i bulloni di fissaggio del motore siano serrati correttamente. Inoltre, ispezionare visivamente la lama per verificare l'assenza di danni (verificare ad esempio che non sia piegata, incrinata o usurata) Sostituire la lama esclusivamente con una lama EGO™.
- Sostituire la lama se è piegata o incrinata. Una lama non bilanciata causa vibrazioni suscettibili di danneggiare il motore o causare lesioni.
- Se l'apparecchio inizia a vibrare in modo anomalo, arrestare il motore e individuare immediatamente la causa. La vibrazione è generalmente sintomo di un problema.
- Questo taglia siepi deve essere usato per tagliare rami di spessore inferiore a 26 mm.
- Usare l'apparecchio solo alla luce del giorno o con una buona illuminazione artificiale.
- Non usare il taglia siepi a batteria sotto la pioggia.

AVVERTENZE AGGIUNTIVE

- Non ricaricare il gruppo batteria sotto la pioggia o in luoghi umidi.

Usare esclusivamente con i gruppi batteria e i caricabatteria elencati in fig. A.

- Il gruppo batteria deve essere rimosso dall'apparecchio prima che sia smaltito.
- La batteria deve essere smaltita in modo sicuro.
- Non gettare la batteria nel fuoco perché le celle potrebbero esplodere. Contattare le autorità locali per eventuali istruzioni di smaltimento specifiche.
- Non aprire o mutilare la batteria. Gli elettroliti rilasciati sono corrosivi e possono danneggiare gli occhi o la pelle o essere tossici se ingeriti.

⚠ ATTENZIONE! L'elettrolita è un acido solforico diluito nocivo per gli occhi e la cute. È un conduttore elettrico ed è corrosivo.

- Prestare attenzione durante la manipolazione delle batterie per evitare il contatto con materiali conduttivi come anelli, braccialetti e chiavi. La batteria o il conduttore possono surriscaldarsi e causare ustioni.
- Gli apparecchi a batteria non hanno bisogno di essere collegati a un impianto elettrico; pertanto sono sempre in condizioni operative. Tenere a mente i possibili rischi anche quando l'apparecchio non è in funzione. Prestare attenzione durante le operazioni di manutenzione o riparazione.
- Rimuovere o scollegare il gruppo batteria prima di riparare, pulire o rimuovere materiale dal potatore.
- Parti di ricambio - Durante la riparazione, usare esclusivamente parti di ricambio EGO identiche. L'uso di altri accessori aumenta il rischio di infortunio.
- Affidare la riparazione dell'utensile a personale qualificato e utilizzare esclusivamente parti di ricambio identiche. Ciò garantisce la sicurezza dell'utensile elettrico.
- Non pulire l'apparecchio con tubi per innaffiare; evitare le infiltrazioni d'acqua nel motore e nelle connessioni elettriche.
- Conservare l'apparecchio in un luogo asciutto ed elevato o chiuso a chiave, e fuori dalla portata dei bambini.

- **In caso di situazioni non contemplate in questo manuale, agire con cautela e usare il buon senso. Contattare il centro di assistenza EGO per assistenza.**
- **Conservare queste istruzioni.** Consultarle frequentemente e usarle per istruire gli altri operatori dell'apparecchio. Se si presta questo apparecchio ad altre persone, allegare anche queste istruzioni per evitare l'uso errato dell'apparecchio e il rischio di infortunio.

CONSERVARE QUESTE ISTRUZIONI

NOTA: CONSULTARE IL MANUALE DI ISTRUZIONI DELL'UNITÀ MOTORE PER ULTERIORI AVVERTENZE DI SICUREZZA SPECIFICHE.

SPECIFICHE TECNICHE

Lunghezza della lama	51 cm	
Profondità di taglio	26 mm	
Peso (senza gruppo batteria)	2,20 kg	
Temperatura di esercizio raccomandata	0°C-40°C	
Temperatura di conservazione raccomandata	-20°C-70°C	
Livello di potenza sonora misurato L_{WA}	92,3 dB(A) K=2,72 dB(A)	
Livello di pressione sonora a livello dell'orecchio dell'operatore L_{PA}	80,4 dB(A) K=3 dB(A)	
Livello di potenza sonora garantito L_{WA} (conformemente a 2000/14/EC)	95 dB(A)	
Vibrazioni a_h	Impugnatura anteriore ausiliaria	4,9 m/s ² K=1,5 m/s ²
	Impugnatura posteriore	6,7 m/s ² K=1,5 m/s ²

- I parametri sopra riportati sono stati collaudati e misurati in combinazione con la testa motore PH1400E.
- Il valore totale di vibrazioni indicato è stato misurato tramite il metodo di collaudo standard e può essere utilizzato per confrontare l'apparecchio con altri prodotti analoghi.
- Il valore totale di vibrazioni indicato può essere utilizzato anche per una valutazione preliminare dei livelli di esposizione.

ATTENZIONE! L'emissione di vibrazioni durante l'uso effettivo dell'apparecchio può variare rispetto al valore indicato in base a come viene utilizzato l'utensile. Per proteggersi, l'operatore deve indossare guanti e dispositivi di protezione per le orecchie in base alle reali condizioni d'uso.

CONTENUTO DELLA CONFEZIONE

NOME DEL COMPONENTE	QUANTITÀ
Accessorio tagliasiepi telescopico	1
Chiave	1
Fodero della lama	1
Manuale di istruzioni	1

IT

DESCRIZIONE

DESCRIZIONE DELL'ACCESSORIO TAGLIASIEPI (Fig. A)

1. Lama di taglio
2. Quadrante
3. Interruttore a grilletto
4. Asta del tagliasiepi
5. Impugnatura morbida
6. Cappuccio terminale
7. Leva di regolazione
8. Scatola degli ingranaggi
9. Chiave
10. Fodero della lama
11. Protezione della punta (opzionale, VENDUTA SEPARATAMENTE)

ASSEMBLAGGIO

⚠ AVVERTENZA! In caso di componenti danneggiati o mancanti, non usare l'apparecchio finché i componenti non vengono sostituiti. L'uso dell'apparecchio con componenti danneggiati o mancanti comporta il rischio di lesioni gravi.

⚠ AVVERTENZA! Non tentare di modificare l'apparecchio o creare accessori non raccomandati per l'uso con questo potatore. Tali alterazioni o modifiche costituiscono un uso improprio e comportano condizioni pericolose e il rischio di lesioni gravi.

⚠ AVVERTENZA! Non installare o regolare un accessorio quando l'unità motore è in funzione o con la batteria installata. In caso contrario, sussiste il rischio di lesioni gravi.

REGOLARE LA LAMA DI TAGLIO

Il tagliasiepi telescopico è imballato in posizione di trasporto, ovvero la lama di taglio è ripiegata contro l'asta (Fig. B). Si raccomanda di regolare la lama di taglio nella posizione operativa adatta prima di fissarla all'unità motore.

Sono disponibili 12 posizioni operativa. L'angolo della lama di taglio può essere regolato verso l'alto in 5 posizioni, da 0° (dritta) a 45°, 0° incluso, e verso il basso in 7 posizioni da 0° a 90° (angolo retto rivolto verso il basso), 0° escluso (Fig. C).

IT

1. Premere il grilletto sulla leva di regolazione e contemporaneamente ruotare la leva di regolazione per impostare la lama di taglio nella posizione desiderata (Fig. D).
2. Dopo aver raggiunto la posizione desiderata, rilasciare il grilletto. Quando il perno di bloccaggio è inserito correttamente nel quadrante emerterà un "clic" (Fig. D).

Descrizione delle parti in Fig. D:

D-1	Quadrante
D-2	Perno di bloccaggio

⚠ AVVERTENZA! Per ridurre il rischio di lesioni, effettuare la regolazione esclusivamente quando le lame di taglio sono ferme. Non toccare mai le lame durante la regolazione.

⚠ AVVERTENZA! Per ridurre il rischio di lesioni, arrestare l'utensile e inserire il fodero della lama prima di spostare la lama di taglio dalla normale posizione operativa alla posizione di trasporto e viceversa.

INSTALLAZIONE/RIMOZIONE DELL'ACCESSORIO TAGLIASIEPI DALL'UNITÀ MOTORE

Questo accessorio tagliasiepi è progettato per l'uso con l'unità motore a batteria EGO LI-ION 56 volt PH1400E. Oltre che in posizione di taglio superiore, è possibile collegare l'unità motore all'asta del tagliasiepi anche in posizione di taglio laterale (Fig. E). Per i dettagli sulle tecniche di taglio, consultare la sezione "TECNICHE DI TAGLIO" in questo manuale.

Descrizione delle parti in Fig. E:

E-1	Posizione di taglio superiore
E-2	Posizione di taglio laterale

Per collegare il tagliasiepi telescopico all'unità motore, consultare la sezione "INSTALLAZIONE DELL'ACCESSORIO SULL'UNITÀ MOTORE" nel manuale di istruzioni dell'unità motore PH1400E.

Per scollegare il tagliasiepi telescopico dall'unità motore, consultare la sezione "RIMOZIONE DELL'ACCESSORIO DALL'UNITÀ MOTORE" nel manuale di istruzioni dell'unità motore PH1400E.

INSTALLAZIONE DELLA PROTEZIONE DELLA PUNTA (opzionale)

1. Usare una chiave esagonale da per rimuovere il bullone corto, la rondella piana, la boccola e il dado sull'estremità della lama di taglio (Fig. F). Conservare la rondella piana, la boccola e il dado per il riassettaggio.

Descrizione delle parti in Fig. F:

F-1	Dado	F-3	Rondella piana
F-2	Boccola	F-4	Bullone corto

2. Allineare la protezione della punta con la sporgenza sulla lama di taglio e installarla in posizione. Fissarla con il bullone lungo e il dado nuovi e con la rondella, la boccola e il dado vecchi (Fig. G).

Descrizione delle parti in Fig. G:

G-1	Dado	G-4	Boccola
G-2	Protezione della punta	G-5	Rondella piana
G-3	Dado	G-6	Bullone lungo

FUNZIONAMENTO

⚠ PERICOLO! Non tagliare in prossimità di linee elettriche, cavi elettrici o altre fonti di elettricità. Se la barra e la catena si inceppano in un cavo elettrico, **NON TOCCARE LA LAMA DI TAGLIO O L'ASTA IN ALLUMINIO! POSSONO DIVENTARE ELETTTRIFICATE E MOLTO PERICOLOSE.** Continuare a tenere il tagliasiepi telescopico tramite l'impugnatura isolata posteriore o appoggiarlo lontano da sé in modo sicuro. Scollegare la fonte di alimentazione del cavo danneggiato prima di tentare di sbloccare la lama di taglio dal cavo. Il contatto con la lama di taglio, altri componenti conduttori elettrici del tagliasiepi telescopico, linee o cavi elettrificati comporta il rischio di morte per folgorazione o lesioni gravi.

⚠ AVVERTENZA! La familiarità con questo apparecchio non deve rendere l'operatore disattento. Anche un solo momento di disattenzione comporta il rischio di lesioni gravi.

⚠ AVVERTENZA! Indossare sempre occhiali di sicurezza con protezioni laterali. Il mancato rispetto di questa istruzione comporta il rischio di oggetti proiettati verso gli occhi dell'operatore e altre lesioni gravi.

Prima di ogni utilizzo, ispezionare l'intero apparecchio per verificare che nessun componente sia mancante, danneggiato o allentato, ad esempio viti, dadi, bulloni, tappi, ecc. Serrare saldamente tutti i dispositivi di fissaggio e le coperture e non usare l'apparecchio finché tutti i componenti mancanti o danneggiati non vengono sostituiti.

AVVERTENZA! Per evitare lesioni gravi, rimuovere il gruppo batteria dall'apparecchio prima di pulirlo o ripararlo e prima di sostituire gli accessori o rimuovere del materiale dall'apparecchio.

Pulire l'utensile dopo ogni utilizzo.

Consultare la sezione Manutenzione per le istruzioni relative alla pulizia.

DESTINAZIONE D'USO

Questo apparecchio è destinato alla rifinitura di siepi, arbusti, cespugli e materiali simili con rami di diametro inferiore a 26 mm.

ATTENZIONE! Usare l'apparecchio esclusivamente per gli scopi previsti. Altri utilizzi sono da considerarsi uso improprio.

UTILIZZO DELL'ACCESSORIO TAGLIASIEPI TELESCOPICO CON L'UNITÀ MOTORE

AVVERTENZA! Vestirsi adeguatamente per ridurre il rischio di infortunio durante l'uso dell'apparecchio. Non indossare indumenti ampi o gioielli. Indossare dispositivi di protezione per gli occhi/orecchie. Indossare pantaloni lunghi e pesanti, stivali e guanti. Non indossare pantaloni corti o sandali e non usare l'apparecchio a piedi nudi.

PREPARAZIONE AL TAGLIO

1. Regolare la lama di taglio in una delle posizioni operative.
2. Rimuovere il fodero della lama dalla lama di taglio.
3. Per un funzionamento efficiente e sicuro, indossare la tracolla sulla spalla. Regolare la tracolla in una posizione operativa comoda. Per installare la tracolla sull'unità motore, consultare la sezione "INSTALLAZIONE DELLA TRACCOLLA" nel manuale di istruzioni dell'unità motore PH1400E.

AVVERTENZA! La tracolla funziona anche da meccanismo di rilascio rapido in situazioni di pericolo. In caso di emergenza, sfilarla immediatamente dalla spalla, indipendentemente dalla sua modalità di fissaggio.

TECNICHE DI TAGLIO

- **Taglio orizzontale (con lama di taglio ad angolo)** Per tagli in prossimità del terreno, ad es. cespugli bassi.

Far oscillare la lama di taglio su e giù muovendosi lungo il materiale – usare entrambi i lati della lama di taglio e non appoggiarla sul terreno (Fig. H).

- **Taglio orizzontale (con lama di taglio dritta)**

Tenere la lama di taglio a un angolo compreso tra 0° e 10° facendola oscillare orizzontalmente. Far oscillare la lama di taglio ad arco verso il bordo esterno della siepe, in modo tale che i residui di taglio vengano spazzati sul terreno (Fig. I J e K).

Raccomandazione: in questa posizione operativa, non tagliare siepi superiore all'altezza del torace.

- **Taglio verticale (con lama di taglio ad angolo)** Per tagli a distanza dalla siepe, ad es. se è presente un'aiuola tra l'operatore e la siepe.

In questa posizione operativa, per un miglior controllo del tagliaiepi telescopico, si raccomanda di installare l'unità motore sul tagliaiepi in posizione di taglio laterale (Fig. E).

Far oscillare la lama di taglio su e giù ad arco muovendosi lungo il materiale – usare entrambi i lati della lama di taglio (Fig. L).

- **Taglio verticale (con lama di taglio dritta)** Per tagliare a distanza senza usare altri utensili.

Far oscillare la lama di taglio su e giù ad arco muovendosi lungo il materiale – usare entrambi i lati della lama di taglio (Fig. M).

- **Taglio sopraelevato (con lama di taglio ad angolo)**

Tenere il tagliaiepi verticalmente e farlo oscillare ad arco per sfruttare completamente la sua portata (Fig. N). In caso di siepi particolarmente alte, usare l'asta telescopica.

AVVERTENZA! La posizione operativa sopraelevata è faticosa. Per minimizzare il rischio di incidenti, lavorare in tale posizione per brevi periodi. Impostare la lama di taglio al massimo angolo regolabile per poter tenere l'utensile in una posizione più bassa e meno stancante (con la tracolla), mantenendo una portata adeguata.

AVVIO/ARRESTO DELL'APPARECCHIO

Consultare la sezione "AVVIO/ARRESTO DELL'UNITÀ MOTORE" nel manuale di istruzioni dell'unità motore PH1400E.

MANUTENZIONE

⚠ AVVERTENZA! Prima di ispezionare, pulire o regolare l'unità, arrestare il motore, attendere che tutte le parti mobili si arrestino e rimuovere il gruppo batteria. Il mancato rispetto di questa avvertenza comporta il rischio di danni o lesioni gravi.

⚠ AVVERTENZA! Per la riparazione dell'apparecchio, usare esclusivamente parti di ricambio identiche. L'uso di altri ricambi comporta situazioni pericolose o il rischio di danni all'apparecchio. Per garantire sicurezza e affidabilità, tutte le riparazioni e sostituzioni devono essere eseguite da un tecnico qualificato.

MANUTENZIONE GENERALE

Evitare l'uso di solventi durante la pulizia delle parti in plastica. La maggior parte dei materiali plastici può essere danneggiata da diversi tipi di solventi in commercio. Usare un panno pulito per rimuovere sporcizia, polvere, olio, grasso, ecc.

PULIZIA DELL'APPARECCHIO

- Usare una piccola spazzola per rimuovere i detriti dalle aperture di ventilazione e dalla lama di taglio.
- Per rimuovere catrame e altri residui collosi, spruzzare sulle lame del solvente per resine. Avviare brevemente il motore affinché il solvente si distribuisca omogeneamente.
- Non usare detergenti aggressivi sulle superfici esterne in plastica o sull'impugnatura perché possono essere danneggiate da alcuni oli aromatici, come pino e limone, e da solventi come il cherosene. L'umidità comporta il rischio di scossa elettrica. Rimuovere eventuali segni di umidità con un panno asciutto e morbido. Non usare mai acqua per pulire l'apparecchio.

AFFILARE LA LAMA DI TAGLIO

Se le prestazioni di taglio e il funzionamento dell'utensile iniziano a diminuire (le lame si impigliano frequentemente ai rami), riaffilare la lama di taglio.

Si raccomanda di affidare l'affilatura della lama di taglio a un tecnico qualificato.

ATTENZIONE! Non usare il tagliaerba con una lama di taglio smussata o danneggiata per evitare il rischio di surriscaldamento e risultati di taglio non soddisfacenti.

LUBRIFICAZIONE DELLA LAMA

Per evitare la formazione di ruggine, si raccomanda di lubrificare le lame con olio anti-ruggine in previsione di un lungo periodo di inutilizzo.

⚠ AVVERTENZA! Le lame sono affilate. Durante la manipolazione del gruppo lama, indossare guanti protettivi robusti e antiscivolo. Non posizionare la mano o le dita tra le lame o in qualsiasi posizione in cui potrebbero venire schiacciate o tagliate. Non toccare MAI le lame e non riparare l'apparecchio con il gruppo batteria installato.

LUBRIFICAZIONE DEGLI INGRANAGGI DI TRASMISSIONE

Gli ingranaggi di trasmissione nella scatola degli ingranaggi devono essere lubrificati periodicamente con del grasso per ingranaggi. Controllare il livello del grasso della scatola degli ingranaggi ogni 50 ore di utilizzo rimuovendo la vite sigillante sul lato della scatola. Sono presenti tre viti sigillanti, una a lato e due in alto.

Se ai lati dell'ingranaggio non è visibile del grasso, seguire i passaggi riportati di seguito per riempirlo di grasso fino ai 3/4 della sua capacità.

Non riempire completamente gli ingranaggi di trasmissione.

1. A seconda della vite da rimuovere, tenere il tagliaerba telescopico di lato o appoggiarlo sulla parte posteriore affinché la vite da rimuovere sia rivolta verso l'alto (Fig. O e P).
2. Usare la chiave fornita per allentare e rimuovere la vite sigillante.
3. Usare una siringa per grasso (non inclusa) per iniettare del grasso nel foro della vite; non superare i 3/4 della capacità.
4. Serrare la vite sigillante dopo il riempimento.

CONSERVAZIONE DELL'APPARECCHIO

- Rimuovere il gruppo batteria dall'apparecchio.
- Pulire accuratamente l'apparecchio prima di riporlo.
- Installare il fodero della lama sulla lama di taglio prima di riporre o trasportare l'apparecchio. Prestare attenzione per evitare il contatto con i denti affilati della lama.
- Se il tagliaerba viene rimosso dall'unità motore e riposto separatamente, inserire il cappuccio terminale sull'asta dell'accessorio per evitare che la sporcizia penetri nel raccordo.
- Conservare l'apparecchio in un luogo asciutto, ben ventilato, elevato o chiuso a chiave, e fuori dalla portata dei bambini. Non conservare l'apparecchio sopra o in prossimità di fertilizzanti, benzina o altre sostanze chimiche.

Protezione dell'ambiente



Non smaltire gli apparecchi elettrici, caricabatteria e batterie/batterie ricaricabili insieme ai rifiuti indifferenziati!

Conformemente alle direttive europee 2012/19/EU e 2006/66/CE, i rifiuti di apparecchiature elettriche ed elettroniche, pile e accumulatori devono essere raccolti separatamente e smaltiti nel rispetto dell'ambiente.

Se gli apparecchi elettrici vengono smaltiti nelle discariche, le sostanze pericolose possono infiltrarsi nelle falde acquifere e contaminare la catena alimentare, con effetti dannosi sulla salute e il benessere.

IT

KREISSVAN DER'SBEKE
KREISSVAN DER'SBEKE

RISOLUZIONE DEI PROBLEMI

IT

PROBLEMA	CAUSA	SOLUZIONE
Il tagliasiepi telescopico non funziona.	<ul style="list-style-type: none"> ■ Il gruppo batteria non è installato sul tagliasiepi telescopico. ■ Il contatto elettrico tra il tagliasiepi telescopico e la batteria è mancante. ■ Il gruppo batteria è scarico. ■ Il pulsante si sbloccaggio non è stato premuto prima di premere l'interruttore a grilletto. ■ Il gruppo batteria o l'unità motore sono troppo caldi. ■ La lama è inceppata. ■ Il tagliasiepi telescopico non è installato correttamente sull'unità motore. 	<ul style="list-style-type: none"> ■ Installare il gruppo batteria sul tagliasiepi telescopico. ■ Rimuovere la batteria, ispezionare i contatti e reinstallare il gruppo batteria. ■ Ricaricare il gruppo batteria. ■ Tenere premuta la leva di sbloccaggio contemporaneamente all'interruttore a grilletto per avviare l'utensile. ■ Attendere che la temperatura del gruppo batteria o dell'unità motore scenda al di sotto di 67°C. ■ Rimuovere il gruppo batteria dall'apparecchio. Rimuovere attentamente l'ostruzione, quindi reinserire la batteria e riavviare l'utensile. ■ Rimuovere il tagliasiepi telescopico dall'unità motore. Ricollegarli consultando la sezione "INSTALLARE UN ACCESSORIO SULL'UNITÀ MOTORE" nel manuale di istruzioni dell'unità motore PH1400E.
Rumore o vibrazioni eccessivi.	<ul style="list-style-type: none"> ■ Le lame sono asciutte o corrose. ■ Le lame o il supporto della lama sono piegati. ■ I denti sono piegati o danneggiati. ■ I bulloni della lama sono allentati. 	<ul style="list-style-type: none"> ■ Lubrificare le lame. ■ Sostituire con una lama nuova o un supporto nuovo. Contattare il centro di assistenza EGO per la sostituzione della lama o del supporto. ■ Sostituire con una lama nuova o un supporto nuovo. Contattare il centro di assistenza EGO per la sostituzione della lama o del supporto. ■ Serrare i bulloni della lama. Con una chiave da (non inclusa), ruotare il bullone in senso orario per serrarlo.

GARANZIA

CONDIZIONI DELLA GARANZIA EGO

Visitare il sito web egopowerplus.com per consultare le condizioni complete della garanzia EGO.

LEES ALLE INSTRUCTIES!



LEES DE GEBRUIKERSHANDLEIDING

⚠ Restrisico! Personen met elektronische apparaten, zoals pacemakers, moeten eerst hun art(sen) raadplegen voordat ze dit product mogen gebruiken. De werking van een elektrisch apparaat in de nabijheid van een pacemaker kan een storing of defect aan de pacemaker veroorzaken.

⚠ WAARSCHUWING: Om een continue veiligheid en betrouwbaarheid te waarborgen, dienen alle reparaties en vervangingen van onderdelen uitgevoerd te worden door een vakbekwame reparateur.

VEILIGHEIDSSYMBOLEN

Het doel van de veiligheidssymbolen is om u te wijzen op mogelijke gevaren. Besteed daarom voldoende aandacht hieraan en begrijp de veiligheidssymbolen en bijbehorende uitleg. De symboolwaarschuwingen op zich elimineren geen enkel gevaar. De gegeven instructies en waarschuwingen gelden niet als vervanging voor gepaste voorzorgsmaatregelen tegen ongevallen.

⚠ WAARSCHUWING: Lees en begrijp alle veiligheidsinstructies die in deze gebruikershandleiding zijn vermeld, waaronder alle veiligheidssymbolen zoals "GEVAAR", "WAARSCHUWING", en "OPGELET" voordat u dit apparaat in gebruik neemt. Het negeren van onderstaande instructies kan leiden tot elektrische schokken, brand en/of ernstig persoonlijk letsel.

BETEKENIS VAN DE SYMBOLEN

⚠ WAARSCHUWINGSSYMBOL: Geeft GEVAAR, WAARSCHUWING of OPGELET aan. Kan worden gebruikt in combinatie met andere symbolen of pictogrammen.



⚠ WAARSCHUWING: De werking van het apparaat kan leiden tot het rondslingeren van (vreemde) objecten die in uw ogen kunnen terechtkomen. Dit kan leiden tot ernstig oogletsel. Wanneer u elektrische apparaten gebruikt, zorg er dan voor dat u altijd een veiligheidsbril (met zijschermen) of een gelaatsscherm draagt. We bevelen aan om een gelaatsscherm over uw bril of standaard veiligheidsbril met zijschermen te gebruiken.

VEILIGHEIDSVORSCHRIFTEN

Deze pagina toont en beschrijft alle veiligheidssymbolen die zich op dit product kunnen bevinden. Lees, begrijp en volg alle instructies op de machine voordat u deze in elkaar zet en gebruikt.

	Veiligheids- waarschuwing	Geefn een risico op persoonlijk letsel aan.
	Lees de gebruikersha- ndleiding zorg- vuldig door	De gebruiker dient de gebruiksaanwijzing voor het gebruik van dit product te lezen en te begrijpen om risico op letsel te beperken.
	Draag oogb- escherming	Draag altijd een veiligheidsbril met zijschermen en een gelaatsscherm als u dit product gebruikt.
	Draag hoofdbes- cherming	Draag een goedgekeurde veiligheidshelm om uw hoofd te beschermen.
	Draag gehoo- rbescherming	Draag altijd gehoorbescerming wanneer u dit product gebruikt.
	Lengte van het zaagblad	De lengte van het blad
	Snijden Capaciteit	Max. snijcapaciteit van het blad

NL

	Houd handen en voeten uit de buurt van het snijdgereedschap	Probeer nooit uw elektrisch gereedschap met één hand te bedienen. Controleverlies over het elektrisch gereedschap kan resulteren in ernstig of fataal letsel. Om het risico op snijwonden te verminderen, dient u handen en voeten uit de buurt van het snijdgereedschap te houden. Raak nooit een bewegend snijdgereedschap aan met uw hand of een ander deel van uw lichaam.
	Houd omstanders uit de buurt	Zorg dat andere personen en huisdieren zich op minstens 15m van de stekheggenchaar bevinden wanneer in gebruik.
	Niet aan regen blootstellen	Gebruik het apparaat niet in de regen en laat het tevens niet buiten achter als het regent.
IPX4	IP symbool	Bescherming tegen het binnendringen van water klasse 4
	CE	Dit product is in overeenstemming met de EG-richtlijnen.
	WEEE	Gooi elektrisch afval niet via het huishoudelijk afval weg. Breng het naar een geautoriseerd recyclingbedrijf.
	Geluidniveau	Gewaarborgd geluidsvermogensniveau. Geluidsemisatie voor de omgeving in overeenstemming met de richtlijnen van de Europese Unie.

V	Voit	Spanning
mm	Millimeter	Lengte of afmeting
cm	Centimeter	Lengte of afmeting
kg	Kilogram	Gewicht

BELANGRIJKE VEILIGHEIDSLINSTRUCTIES

⚠ WAARSCHUWING! Tijdens het gebruik van elektrisch tuingereedschap, moeten de volgende standaard veiligheidsmaatregelen worden genomen om het risico op brand, elektrische schokken en persoonlijk letsel te vermijden:

LEES GRONDIG VOOR GEBRUIK

BEWAAR VOOR LATERE RAADPLEGING

⚠ GEVAAR! Niet naast elektrische stroomkabels gebruiken. De eenheid is niet ontworpen om bescherming te bieden tegen een elektrische schok voor het geval dat u in contact komt met bovenaardse elektriciteitskabels. Raadpleeg de lokale wetgeving voor een veilige afstand van bovenaardse elektriciteitskabels om ervoor te zorgen dat uw gebruikpositie veilig alvorens het apparaat in gebruik te nemen.

VEILIGHEIDSWAARSCHUWINGEN VOOR HEGGENSCHAREN

⚠ GEVAAR! Houd de handen uit de buurt van het zaagblad. Contact met het zaagblad resulteert in ernstig persoonlijk letsel.

- **Houd alle lichaamsdelen uit de buurt van het zaagblad. Verwijder geen snoeimateriaal of houd het te snoeien materiaal niet vast wanneer de zaagbladen in beweging zijn. Zorg dat het apparaat is uitgeschakeld wanneer u vastgelopen materiaal verwijdert.** Een moment van onoplettendheid tijdens de werking van de heggenchaar kan leiden tot ernstig persoonlijk letsel.
- **Bij machines met een gedefinieerde transportpositie (zaagblad vlak geklapt tegen de schacht van de heggenchaar): Start de machine nooit in de transportpositie, aangezien de zaagbladen niet zijn ingehaakt in deze positie en u daarom niet visueel kunt controleren, of ze stil staan als u start met het aanpassen van het zaagblad in de gewenste snijpositie (waar de zaagbladen wel zijn ingehaakt).**
- **Draag de heggenchaar bij het handvat met een niet werkend zaagblad.** Plaats altijd het zaagbladhoes

wanneer u de heggenschaar transporteert of opbergt. Een juiste hantering van de heggenschaar beperkt de kans op persoonlijk letsel dat door de zaagbladen wordt veroorzaakt.

- **Neem de blootgestelde zaagbladen of -randen niet vast wanneer u de heggenschaar opneemt of vasthoudt.**
- **Houd het elektrisch gereedschap alleen bij de geïsoleerde handgrepen vast, het zaagblad kan in aanraking komen met verborgen bedrading.** Zaagbladen die met een draad onder stroom in aanraking komen kunnen de blootgestelde metalen onderdelen van het handgereedschap onder stroom plaatsen en de gebruiker een elektrische schok geven.
- **Houd het snoer uit de buurt van het snijoppervlak.** Tijdens de werking kan het snoer verborgen zijn in de heesters en kan deze toevallig worden doorsneden.
- **Controleer de haag op vreemde voorwerpen voor gebruik, zoals draadafrastering.**
- **Om het risico van controleverlies te reduceren, dient u er absoluut zeker van te zijn, dat u en andere obstructies en voorwerpen het zaagblad niet blokkeren, waaronder de grond, omdat als het gereedschap start, de motorsnelheid snel genoeg zal zijn om het zaagblad van het gereedschap te pakken en te bewegen.**
- **Sta andere personen niet toe, zich in het algemene werkgebied te bevinden.** Zorg dat andere personen en huisdieren zich op minstens 15m van de stokheggenschaar bevinden wanneer in gebruik.
- **Kinderen mogen de heggenschaar nooit gebruiken.**
- **Gebruik de heggenschaar met beide handen. Het gereedschap met één hand gebruiken kan tot controleverlies leiden en ernstig persoonlijk letsel veroorzaken.**
- **Reik niet te ver. Zorg er altijd voor dat u stevig en stabiel staat. In gladde omgevingen (natte grond, sneeuw) en in moeilijk, dicht begroeid terrein dienen speciale voorzorgsmaatregelen te worden getroffen. Pas op voor verborgen obstakels zoals boomstronken, wortels en kuilen en ga gevallen takken, struikgewas en snijafval uit de weg. Wees bijzonder voorzichtig als u op hellingen of oneffen ondergrond werkt.**
- **Gebruik het gereedschap niet op een ladder, dak, boom of ander onstabiele steun.** Een stabiele houding op een stevig oppervlak zorgt voor een betere controle over de heggenschaar tijdens onvoorziene situaties.
- **Houd het zaagblad altijd in de gaten - snijd geen heg, waar u het zaagblad niet meer kunt zien. Als u het**

bovenste gedeelte van een hogere heg snoeit, dient u regelmatig beide zijden van de heg te controleren op omstanders, dieren en obstakels.

- **Controleer op beschadigde onderdelen voordat u de heggenschaar gebruikt.** Controleer op de uitlijning van de bewegende onderdelen, de verbinding van de bewegende onderdelen, breuk van onderdelen of andere condities die de werking kunnen beïnvloeden.
- **Controleer regelmatig of het zaagblad en de motormontagebouten stevig zijn vastgedraaid.** Inspecteer het zaagblad tevens regelmatig op schade (bijv. gebogen, gebarsten of versleten). Vervang het zaagblad alleen door een zaagblad van EGO™.
- **Vervang het zaagblad als het gebogen of gebarsten is.** Een onevenwichtig zaagblad kan trilling veroorzaken wat tot schade aan de motoraandrijvingen of persoonlijke letsel kan leiden.
- **Als het gereedschap abnormaal trilt, stop de motor en zoek onmiddellijk naar de oorzaak.** Trilling wijst vaak op een storing.
- **Gebruik de heggenschaar alleen voor het snijden van stammen minder dan 26mm dik.**
- **Gebruik het gereedschap alleen bij daglicht of voldoende kunstmatig licht.**
- **Gebruik de heggenschaar niet als het regent.**

NL

AANVULLENDE WAARSCHUWINGEN

- **Laad het accupack niet op als het regent of in een natte omgeving.**
Gebruik alleen met in afb. A vermelde accupacks en opladers.
 - **Haal het accupack uit het apparaat alvorens het apparaat af te danken.**
 - **Gooi het accupack op een veilige manier weg.**
 - **Gooi het accupack niet in vuur.** De cellen kunnen ontploffen. Raadpleeg de lokale wetgeving voor eventuele speciale verwijderingsvoorschriften.
 - **Open of beschadig de batterij niet.** Vrijgekomen elektrolyt is corrosief en kan schade aan de ogen en huid veroorzaken. Het kan giftig zijn wanneer het wordt ingeslikt.
- ⚠ OPGELET!** Het elektrolyt is een verdund zwavelzuur dat schadelijk is voor huid en ogen. Het is elektrisch geleidend en corrosief.
- **Wees voorzichtig wanneer u accupacks gebruikt. Sluit het accupack nooit kort met geleidende materialen zoals ringen, armbanden of sleutels.** Het accupack of de geleider kan oververhitten en brandwonden veroorzaken.

- **Accugereedschap hoeft niet aan een stopcontact worden aangesloten en kan dus altijd onmiddellijk gebruikt worden.** Let voor mogelijke gevaren, zelfs wanneer het gereedschap niet in werking is. Let op wanneer u onderhoud op het gereedschap uitvoert.
- **Verwijder de accu voor onderhoud, reiniging of verwijdering van vastzittend materiaal uit het gereedschap.**
- **Reserveonderdelen** - Bij reparatie mag u uitsluitend identieke EGO vervangende onderdelen gebruiken. Het gebruik van andere accessoires of opzetstukken kunnen het risico op letsel verhogen.
- **Laat uw elektrisch gereedschap repareren door een gekwalificeerde reparateur en alleen met identieke reserve-onderdelen.** Dit waarborgt de veiligheid van het elektrisch gereedschap.
- **Reinig het gereedschap niet met een slang. Zorg dat de motor of elektrische componenten niet met water in aanraking komen.**
- **Bewaar het gereedschap op een droge en hoge plek of opgesloten buiten het bereik van kinderen.**
- **Als er zich situaties voordoen die niet in deze handleiding zijn behandeld, gebruik uw gezond verstand. Neem contact op met het EGO servicecentrum voor bijstand.**
- **Bewaar deze handleiding.** Raadpleeg de gebruikershandleiding indien nodig en gebruik deze om andere personen die dit apparaat zullen gebruiken te onderrichten. Al u dit gereedschap aan iemand anders geeft, doe dan tevens deze gebruiksaanwijzing erbij om verkeerd gebruik en mogelijk letsel te voorkomen.

Bewaar deze gebruiksaanwijzing

OPMERKING: KIJK IN DE GEBRUIKSAANWIJZING VAN DE MOTORKOP VOOR AANVULLENDE SPECIFIEKE VEILIGHEIDINSTRUCTIES.

SPECIFICATIES

Lengte van het zaagblad	51 cm
Snijvermogen	26 mm
Gewicht (zonder accupack)	2,20 kg
Aanbevolen werkingstemperatuur	0°C-40°C
Aanbevolen opslagtemperatuur	-20°C-70°C
Gemeten geluidsvermogensniveau L_{wa}	92,3 dB(A) K=2,72 dB(A)

Geluidsdrukkniveau aan het oor van de bediener L_{pa}		80,4 dB(A) K=3 dB(A)
Gewaarborgd geluidsvermogensniveau L_{wa} (volgens 2000/14/EG)		95 dB(A)
Vibratie a_h	Voorste handvat	4,9 m/s ² K=1,5 m/s ²
	Achterste handvat	6,7 m/s ² K=1,5 m/s ²

- De bovengenoemde parameters werden getest en gemeten met de motorkop PH1400E.
- De opgegeven totale vibratiewaarde is gemeten volgens de standaard testmethode en kan worden gebruikt om het apparaat met een ander apparaat te vergelijken;
- De opgegeven totale vibratiewaarde kan tevens worden gebruikt in een voorafgaande beoordeling op blootstelling.

MEDEDELING: De vibratie-afgifte tijdens het werkelijk gebruik van het elektrisch gereedschap kan verschillen van de opgegeven totale waarde; Om de bediener te beschermen dient de gebruiker tijdens het gebruik handschoenen en gehoorbescherming te dragen.

INHOUD VAN DE VERPAKKING

OMSCHRIJVING VAN DE ONDERDELEN	AANTAL
Stokheggenschaar toebehoor	1
Sleutel	1
Zaagblad hoes	1
Gebruikershandleiding	1

BESCHRIJVING

KEN UW STOKHEGGENSCHAAR TOEBEHOOR (afb. A)

1. Zaagblad
2. Tandwiel
3. Schakelaar
4. Stokheggenschaar schaft
5. Zachte hoesbekleding
6. Einddop
7. Instelhendel
8. Tandwielkast
9. Sleutel
10. Zaagblad hoes
11. Neusbescherming (optioneel, WORDT APART VERKOCHT)

MONTAGE

⚠ WAARSCHUWING: Als er onderdelen beschadigd zijn of ontbreken, gebruik dit product niet totdat alle onderdelen vervangen of aanwezig zijn. Dit product gebruiken met beschadigde of ontbrekende onderdelen kan ernstig persoonlijk letsel veroorzaken.

⚠ WAARSCHUWING: Probeer niet om dit product aan te passen of accessoires te maken die niet voor gebruik met deze zaag met paal zijn aanbevolen. Een dergelijke aanpassing of wijziging is misbruik en kan leiden tot gevaar en een ernstig persoonlijk letsel.

⚠ WAARSCHUWING: Bevestig of pas het toebehoor nooit aan terwijl de basis machine loopt of de accu is geïnstalleerd. Het niet stoppen van de draaiende motor of het niet verwijderen van de accu kan ernstig persoonlijk letsel veroorzaken.

HET ZAAGBLAD AANPASSEN

Als de stokheggenchaar uit de verpakking wordt gehaald, is hij opgevouwen in de opslagpositie waarbij het zaagblad tegen de schacht ligt (afb. B). Het is aan te bevelen het zaagblad in een geschikte werkpositie te brengen alvorens de basis machine aan te sluiten.

Er staan 12 mogelijke werkposities ter beschikking. De hoek van het zaagblad kan in 5 stappen naar boven worden ingesteld van 0° (recht) tot 45°, inclusief 0° en in 7 stappen naar beneden van 0° tot 90° (rechte hoek naar beneden) (afb. C), 0° niet inbegrepen.

1. Druk de schakelaar op de instelhendel en draai in de tussentijd de instelhendel om het zaagblad in de gewenste zaagpositie te brengen (afb. D).
2. Zodra de gewenste positie werd bereikt, laat u de schakelaar los. Een hoorbare klik geeft aan dat de vergrendelingspin vast zit in het tandwiel, precies op zijn plek (afb. D).

Afb. D beschrijving van de onderdelen zie beneden:

D-1	tandwiel
D-2	grendelpen

⚠ WAARSCHUWING: Om het risico op letsel te reduceren, dient u de instelling alleen uit te voeren, als het zaagblad stil staat. Raak de bladen nooit aan, terwijl u instellingen uitvoert.

⚠ WAARSCHUWING: Om het risico op letsel te reduceren dient u het gereedschap altijd te stoppen en de bladbescherming aan te brengen alvorens het zaagblad in de opslagpositie te brengen of uit de opslagpositie in de normale positie te brengen.

AANSLUITEN/VERWIJDEREN VAN HET STOKHEGGENSCHAAR TOEBEHOOR AAN DE BASIS MACHINE

Dit stokheggenchaar toebehoor is ontworpen voor het gebruik met de EGO 56V LITHIUM-ION accu basis machine PH1400E. Behalve voor het zagen van de toppen is er ook een positie voor het zagen van de zijanten op de stokheggenchaar voor het aansluiten op de basis machine (afb. E). Voor gedetailleerde werktechnieken kunt u kijken in de alinea “WERKTECHNIEKEN” in deze gebruiksaanwijzing. Afb. E beschrijving van de onderdelen zie beneden:

E-1	Bovenste zaagpositie
E-2	Zaagpositie voor de zijanten

Zie de alinea “EEN TOEBEHOOR INSTALLEREN OP DE BASIS MACHINE” in de gebruiksaanwijzing van de basis machine PH1400E voor het aansluiten van de stokheggenchaar op de basis machine.

Zie de alinea “EEN TOEBEHOOR VERWIJDEREN VAN DE BASIS MACHINE” in de gebruiksaanwijzing van de basis machine PH1400E voor het verwijderen van de stokheggenchaar van de basis machine.

MONTEREN VAN DE NEUSBESCHERMER (optioneel)

1. Gebruik een binnenzeskantsleutel om de korte bout, de sluitring, het lager en de moer aan het einde van het zaagblad te verwijderen (afb. F). Bewaar de sluitring, het lager en de moer voor het hernieuwde monteren.

Afb. F beschrijving van de onderdelen zie beneden:

F-1	Moer	F-3	Sluitring
F-2	Lager	F-4	Korte bout

2. Breng de neusbeschermer in één lijn met de uitstulping van het zaagblad en bevestig het in deze positie. Bevestig hem met de nieuwe lange bout en de sluitring, het lager en de moer (afb. G).

Afb. G beschrijving van de onderdelen zie beneden:

G-1	Moer	G-4	Lager
G-2	Neusbeschermer	G-5	Sluitring
G-3	Moer	G-6	Lange bout

BEDIENING

⚠ GEVAAR: Snijd nooit in de buurt van stroomkabels, elektriciteitskabels of andere elektrische bronnen. Als de zaagbladen vast zitten in een elektrische kabel, **RAAK DAN NIET HET ZAAGBLAD OF DE ALUMINIUM STOK AAN! DEZE KUNNEN ELEKTRISCH GLEIDEND WORDEN EN ZEER GEVAARLIJK ZIJN.** Blijf de stokheggenschaar bij het geïsoleerd achterste handvat vasthouden of leg het neer en uit uw buurt op een veilige manier. Ontkoppel de stroomtoevoer naar de beschadigde leiding of kabel voordat u probeert om het zaagblad van de leiding of kabel los te maken. Contact met het zaagblad, de ketting, andere geleidende onderdelen van de stokheggenschaar of onder stroom staande elektriciteitskabels kunnen elektrocutie met de dood of ernstig letsel tot gevolg hebben.

⚠ WAARSCHUWING: Vertrouwdheid kan leiden tot onvoorzichtigheid. Opgelet, één seconde van onvoorzichtigheid kan ernstig letsel teweegbrengen.

⚠ WAARSCHUWING: Draag altijd een veiligheidsbril met zijschermen. Het niet dragen van deze beschermingsuitrusting kan ertoe leiden dat voorwerpen in uw ogen terechtkomen of kan een ander ernstig letsel veroorzaken.

Voor elk gebruik, controleer het volledig product op beschadigde, ontbrekende of losse onderdelen zoals schroeven, moeren, bouten, etc. Maak alle bevestigingen en doppen stevig vast en gebruik dit product pas opnieuw eenmaal alle ontbrekende of beschadigde onderdelen zijn geplaatst.

⚠ WAARSCHUWING: Om ernstig persoonlijk letsel te voorkomen, haal het accupack uit het gereedschap voor onderhoud, reiniging, het wijzigen van accessoires of het verwijderen van materiaal.

Maak het gereedschap na elk gebruik schoon.

Kijk in het hoofdstuk Onderhoud voor de reinigingsinstructies.

APPLICATIES

U mag dit product gebruiken voor het trimmen van heggen, struikgewassen, bosjes en soortgelijke met een takdiameter van minder dan Ø26 mm.

OPMERKING: Het gereedschap mag alleen voor het voorheen genoemde doeleinde worden gebruikt. Ieder ander gebruik is in dit geval misbruik.

GEBRUIK VAN HET STOKHEGGENSCHAAR TOEBEHOOR MET DE BASIS MACHINE

⚠ WAARSCHUWING: Draag gepaste kleding om het risico op letsel tijdens gebruik van dit gereedschap te beperken. Draag geen los hangende kleding of juwelen. Draag oog- en oorbescherming. Draag een stevige lange broek, laarzen en handschoenen. Draag geen korte broek of sandalen of ga niet blootsvoets.

VOORBEREIDING VOOR HET SNIJDEN:

1. Pas het zaagblad aan in de gewenste werkpositie.
2. Verwijder de bladbescherming van het zaagblad.
3. Voor een veiliger en beter gebruik draagt u de schouderriem over uw schouder. Pas de schouderriem aan zodat u een comfortabele werkpositie bereikt. Volg de instructies in de alinea "MONTEREN VAN DE SCHOUDERRIEM" in de gebruiksaanwijzing van de PH1400E voor het bevestigen van de schouderriem aan de basis machine.

⚠ WAARSCHUWING: De schouderriem heeft ook een snelontspanningsmechanisme voor gevaarlijke situaties. Als er sprake is van een noodgeval, haalt u hem direct van de schouder, ongeacht hoe de riem zit.

WERKTECHNIKEN

- **Horizontaal snijden (met het zaagblad in een hoek):** Zaag dichtbij de bodem vanuit een staande positie, bijv. lage struikgewassen.

Beweeg het zaagblad omhoog en omlaag terwijl u langs de heg beweegt - gebruik beide zijden van de zaagbladen en laat het zaagblad niet op de grond rusten (afb. H).

- **Horizontaal snijden (met een recht zaagblad):**

Houd het zaagblad in een hoek van 0° tot 10° terwijl u de stokheggenschaar horizontaal beweegt. Beweeg het zaagblad in een boog richting de buitenkanten van de heg zodat het afval op de bodem valt (afb. I J & K).

Aanbeveling: Snij alleen heggen die niet meer dan borsthoogte zijn in deze werkpositie.

- **Verticaal snijden (met het zaagblad in een hoek):** Zaag zonder direct naast de heg te staan, als er bijv. een bloemperkje tussen de heg en de bediener is.

In deze zaagpositie dient u voor een betere controle over de stokheggenschaar, de heggenschaar zijdelings aan de basis machine te bevestigen (zie afb. E).

Beweeg het zaagblad op en neer in een boog als u langs de heg beweegt - gebruik beide zijden van het zaagblad (afb. L).

■ **Verticaal snijden (met een recht zaagblad):**

Extra lange reikwijdte zonder gebruik te maken van hulpmiddelen.

Beweeg het zaagblad op en neer in een boog als u langs de heg beweegt - gebruik beide zijden van het zaagblad (afb. M).

■ **Boven het hoofd snijden (met het zaagblad in een hoek)**

Houd de heggenschaar verticaal en beweeg hem in een boog om maximaal gebruik te kunnen maken van zijn reikwijdte (afb. N). Voor extreem hoge heggen kunt u de verlengpaal gebruiken al hulp bij het snijden.

⚠ WAARSCHUWING: Iedere werkpositie boven het hoofd is vermoeiend. Om het risico op ongelukken te minimaliseren, dient u slechts kortstondig in dergelijke posities te werken. Stel de hoek van het instelbare zaagblad in op een maximum zodat het gereedschap in een lagere, minder vermoeiende positie kan worden vastgehouden (met schouderriem) terwijl u wel over de nodige reikwijdte beschikt.

HET GEREEDSCHAP STARTEN/STOPPEN

Zie hoofdstuk “**STARTEN/STOPPEN VAN DE MOTORKOP**” in de gebruiksaanwijzing van de motorkop PH1400E.

ONDERHOUD

⚠ WAARSCHUWING: Voor het inspecteren, reinigen of onderhouden van het apparaat dient u de motor te stoppen, te wachten totdat alle bewegende onderdelen tot stilstand zijn gekomen en het accupack te verwijderen. Het negeren van deze instructies kan ernstig persoonlijk letsel of materiële schade tot gevolg hebben.

⚠ WAARSCHUWING: Bij reparatie, gebruik uitsluitend identieke reserve-onderdelen. Het gebruik van andere onderdelen kan gevaar opleveren of schade aan het product veroorzaken. Laat alle reparaties uitvoeren door een vakbekwame reparateur om een continue veiligheid en betrouwbaarheid te waarborgen.

ALGEMEEN ONDERHOUD

Maak de kunststof onderdelen niet schoon met oplosmiddelen. De meeste kunststoffen kunnen worden beschadigd wanneer ze in contact komen met commerciële oplosmiddelen. Gebruik een schone doek voor het verwijderen van vuil, stof, olie, smeer, etc.

HET APPARAAT SCHOONMAKEN

- Verwijder alle vuil van de luchtinlaten en het zaagblad met behulp van een zachte borstel.
- Om pek en andere kleefresten te verwijderen, besprenkel de zaagbladen met harsoplosmiddel. Draai de motor kortstondig zodat het oplosmiddel gelijkmatig wordt verdeeld.
- Maak de kunststof behuizing of handvat niet schoon met een agressief schoonmaakmiddel. Deze kunnen door bepaalde aromatische oliën, zoals pijnboom en citroen, en oplosmiddelen, zoals kerosine, worden beschadigd. Vocht kan risico op elektrische schokken met zich meebrengen. Veeg eventueel vocht weg met een zachte en droge doek. Maak uw gereedschap nooit schoon met water.

HET ZAAGBLAD SLIJPEN

Als het zaagvermogen en het gedrag afneemt, bijv. omdat het blad vaak in takken verstrikt raakt: Het zaagblad slijpen.

Het is aan te bevelen om de zaagbladen door een gekwalificeerde onderhoudstechnicus te laten uitvoeren.

OPMERKING: Gebruik uw heggenschaar niet wanneer de zaagbladen bot of beschadigd zijn. Dit kan tot overbelasting leiden en geeft een niet tevredenstellend snijresultaat.

HET MES SMEREN

Om roest te voorkomen, raden wij u aan de bladen in te vetten met anti-roest olie als u het gereedschap gedurende een langere periode opbergt.

⚠ WAARSCHUWING: De zaagbladen zijn scherp. Als u de bladen aanraakt voor de montage, dient u niet glijdende, hoogwaardige veiligheidshandschoenen te dragen. Steek uw hand of uw vingers niet tussen de bladen of in een positie, waar deze snijwonden op kunnen lopen of afgezaagd kunnen worden. Raak de bladen NOOIT aan en onderhoud het apparaat niet, als het accupack is geïnstalleerd.

SMEREN VAN DE VERSNELLING

De versnelling in de tandwielkast dient regelmatig met smeervet voor versnellingen te worden gevet. Controleer het vetniveau van de versnellingsbak na alle 50 uur van gebruik door de vergrendelschroef aan de tandwielkast te verwijderen. Er zijn drie vergrendelingschroeven met één aan de zijkant en twee bovenop.

Als u geen vet meer ziet aan de flanken van de versnelling, dient u de onderstaande stappen te volgen voor het tot 3/4 bijvullen van het vet.

Vul de versnellingen niet helemaal.

1. Afhankelijk van welke schroef u verwijdert, dient u de stokheggschaar op de zijkant te leggen of op de achterkant, zodat de vergrendelingschroeven naar boven kunnen worden verwijderd (afb. O & P).
2. Gebruik de meegeleverde sleutel om de vergrendelingschroef los te draaien en te verwijderen.
3. Gebruik een vetspuit (niet inbegrepen) om een beetje vet in het schroefgat te spuiten; niet meer dan 3/4 van de capaciteit vullen.
4. Maak de vergrendelschroef weer vast na het injecteren.

NL

HET APPARAAT OPBERGEN

- Haal het accupack uit het gereedschap.
- Maak het gereedschap grondig schoon voordat u het opbergt.
- Steek de bladbescherming op het zaagblad voordat u het transporteert of opbergt. Let op voor de scherpe tanden van de zaagbladen.
- Als de heggschaar wordt verwijderd van de basis machine en apart wordt opgeborgen, dient u de einddop op de schacht van het toebehoor te plaatsen, om te voorkomen dat er vuil in de koppeling terecht komt.
- Berg het apparaat op in een droge, goed geventileerde en afsluitbare ruimte of op een hoge hoogte en buiten het bereik van kinderen. Berg het apparaat niet op in de buurt van meststoffen, benzine of andere chemicaliën.

Het milieu beschermen



Gooi geen elektrische apparaten, acculaders en accu's/oplaadbare batterijen met het huisafval weg!

Elektrische en elektronische apparaten, in overeenstemming met de Europese wet 2012/19/EG, en defecte of verbruikte accupacks/batterijen, in overeenstemming met 2006/66/EG, moeten afzonderlijk worden ingezameld.

Als elektrische apparaten op een stortterrein of vuilnisbelt terecht komen, kunnen gevaarlijke stoffen in het grondwater lekken en in de voedselketen komen wat schadelijk is voor uw gezondheid en welzijn.

PROBLEEMOPLOSSING

PROBLEEM	OORZAAK	OPLOSSING
Stokheggenschaar werkt niet.	<ul style="list-style-type: none"> ■ Het accupack is niet met de stokheggenschaar verbonden. ■ Er is geen elektrisch contact tussen de heggenschaar en accu. ■ Het accupack is uitgeput. ■ De vergrendelknop is niet ingedrukt voordat u de drukschakelaar drukt. ■ Het accupack of de basis machine is te warm. ■ Het blad zit klem. ■ De stokheggenschaar is niet goed bevestigd aan de basis machine. 	<ul style="list-style-type: none"> ■ Bevestig het accupack aan de stokheggenschaar. ■ Verwijder het accupack, controleer de aansluitklemmen en plaats het accupack terug. ■ Laad het accupack op. ■ Om het gereedschap te starten, duwt u de ontgrendelingshendel omlaag en houdt u deze positie vast. Duw vervolgens de trekker in. ■ Laat het accupack of de motorkop afkoelen totdat de temperatuur lager dan 67°C is. ■ Haal het accupack uit het gereedschap. Verwijder voorzichtig de blokkering en plaats de accu weer terug om het gereedschap weer te starten. ■ Verbreek de verbinding van de stokheggenschaar met de basis machine. Sluit hem weer aan zoals beschreven in de alinea "TOEBEHOR INSTALLEREN AAN DE BASIS MACHINE" in de gebruiksaanwijzing van de PH1400E.
Overmatige trilling of geluid.	<ul style="list-style-type: none"> ■ Droge of verroeste zaagbladen. ■ Zaagbladen of zaagbladhouder is gebogen. ■ Gebogen of beschadigde tanden. ■ Losse zaagbladbouten. 	<ul style="list-style-type: none"> ■ De bladen smeren. ■ Vervang door een nieuw zaagblad of de houder. Neem contact op met de EGO klantenservice voor vervangende bladen of ondersteuning ■ Vervang door een nieuw zaagblad of de houder. Neem contact op met de EGO klantenservice voor vervangende bladen of ondersteuning ■ Draai de zaagbladbouten vast. Gebruik een sleutel (niet inbegrepen), draai de bout met de klok mee om hem vast te maken.

NL

GARANTIE

EGO GARANTIEVOORWAARDEN

Bezoek onze website egopowerplus.com voor alle voorwaarden van de EGO garantie.

LÆS ALLE ANVISNINGER!



LÆS BRUGSANVISNINGEN

⚠ Særlig risiko! Folk med elektroniske anordninger, såsom pacemakere, bør spørge deres læge til råds, før de bruger dette produkt. Betjening af elektrisk udstyr i umiddelbar nærhed af en pacemaker kan forårsage forstyrrelser eller svigt af pacemakeren.

⚠ ADVARSEL: For at sikre sikkerhed og pålidelighed, bør alle reparationer og udskiftninger udføres af en kvalificeret servicetekniker.

DK

SIKKERHEDSSYMBOLER

Formålet med sikkerhedssymboler er at gøre dig opmærksom på mulige farer. Du bør være meget opmærksom på sikkerhedssymbolerne og forklaringer til dem og lære at forstå dem. Symboladvarslere fjerner ikke i sig selv eventuelle farer. Anvisningerne og advarslerne er ingen erstatning for korrekte forebyggelsesforanstaltninger mod ulykker.

⚠ ADVARSEL: Sørg for at læse og forstå alle sikkerhedsanvisninger i denne brugsanvisning, inklusive alle sikkerhedssymboler, såsom "FARE", "ADVARSEL" og "FORSIGTIG", før du bruger dette værktøj. Hvis du ikke følger advarslere og anvisninger, kan det resultere i elektrisk stød, brand og/eller alvorlig personskade.

SYMBOLBETYDNING

⚠ SYMBOL FOR SIKKERHEDSVARSEL: Angiver **FARE**, **ADVARSEL** eller **FORSIGTIG**. Kan anvendes i kombination med andre symboler eller piktogrammer.



⚠ ADVARSEL: Brugen af et elværktøj kan resultere i, at du får fremmedlegemer i øjnene, hvilket kan give alvorlige øjenskader. Inden du begynder at bruge et elværktøj, skal du altid bære beskyttelsesbriller eller sikkerhedsbriller med sidebeskyttelse og om nødvendigt en fuld ansigtsmaske. Vi anbefaler en maske med bredt udsyn til brug over briller eller standard sikkerhedsbriller med sidebeskyttelse.

SIKKERHEDSANVISNINGER

Denne side viser og beskriver sikkerhedssymboler, der kan forekomme på dette produkt. Læs, forstå, og følg alle anvisninger på apparatet, før du forsøger at samle og betjene det.

	Sikkerhedsvarsel	Angiver en potentiel fare for personskade.
	Læs brugsanvisningen	For at nedsætte risikoen for personskade, skal brugeren læse og forstå brugsanvisningen, før dette produkt tages i brug.
	Bær beskyttelsesbriller	Sørg altid for at bære beskyttelsesbriller eller sikkerhedsbriller med sideskærme, og en fuld ansigtsskærm, når dette produkt bruges.
	Brug hovedbeskyttelse	Bær en godkendt sikkerhedshjelm til at beskytte dit hoved.
	Brug hørevern	Bær altid hørevern ved betjening af dette produkt.
	Sværdlængde	Længden af sværdet
	Klippekapacitet	Sværdets maks. klippekapaцитet
	Hold hænder og fødder borte fra klippeværktøjet	Forsøg aldrig at betjene dit elværktøj med én hånd. Hvis du mister kontrollen over elværktøjet, kan det forårsage alvorlig personskade eller dødsfald. For at reducere risikoen for at skære sig holdes hænder og fødder væk fra klippeværktøjet. Rør aldrig et arbejdende klippeværktøj med hånden eller nogen anden del af kroppen.

	Hold omkringstående på afstand	Sørg for, at andre mennesker og kæledyr står mindst 15 m væk fra stanghækkeklipperen, når den er i brug.
	Må ikke udsættes for regn	Motorsaven må ikke bruges i regn, og den må efterlades udenfor i regnvej.
IPX4	IP-symbol	Beskyttelse mod indtrængen af vand grad 4
	Det Europæiske Fællesskab	Dette produkt er i overensstemmelse med gældende EU-direktiver.
	WEEE	Affald fra elektriske produkter bør ikke bortskaffes sammen med husholdningsaffald. Bring det til en godkendt genbrugsplads.
	Støj	Garanteret lydniveau. Støjemission til miljøet opfylder EF-direktivet.
V	Volt	Spænding
mm	Millimeter	Længde eller størrelse
cm	Centimeter	Længde eller størrelse
kg	Kg	Vægt

VIKTIGE SIKKERHEDSANVISNINGER

⚠ ADVARSEL! Ved brug af elektriske haveredskaber skal grundlæggende sikkerhedsprocedurer altid følges for at reducere risikoen for brand, elektrisk stød og personskade, herunder følgende:

LÆS GRUNDIGT INDEN BRUG

GEM TIL SENERE BRUG

⚠ FARE! Benyt ikke apparatet i nærheden af elektriske ledninger. Enheden har ikke indbygget beskyttelse mod elektrisk stød i tilfælde af utilsigtet kontakt med elektriske luftledninger. Se lokale forskrifter vedrørende sikkerhedsafstanden fra elektriske luftledninger, sørg for, at arbejdsstedet er sikret og sikkert for betjening af værktøjet.

SIKKERHEDSADVARSLER for HÆKKEKLIPPER

⚠ FARE! Hold hænderne væk fra sværdet. Kontakt med sværdet vil medføre alvorlige personskader.

- **Hold alle dele af kroppen væk fra skæret.** Fjern ikke afklippet materiale, når skærene bevæger sig; klip heller ikke i materiale, der holdes i hånden. Sørg for, at kontakten er slukket, når fastsiddende materiale skal fjernes. Et øjeblikvis uopmærksomhed ved brug af hækkeklipperen kan medføre alvorlig personskade.
- **På maskiner med en bestemt transportstilling (sværd foldes fladt mod hækkeklipperens skaft): Start aldrig maskinen i transportstillingen,** da skærene ikke er aktiveret i denne stilling, og du derfor ikke kan kontrollere visuelt, at de stopper i tomgang, når du begynder at justere sværdet til den ønskede position (hvor skærene aktiveres).
- **Bær hækkeklipperen i håndtaget med skæret stoppet.** Ved transport eller opbevaring af hækkeklipperen sættes beskyttelseshylsteret altid på. Korrekt håndtering af hækkeklipperen vil mindske mulig personskade fra skærene.
- **Grib ikke om de fritliggende skær eller skærspidser, når hækkeklipperen samles op eller holdes.**
- **Hold kun fast på elværktøjets isolerede gribehåndtag, da sværdet kan berøre skjulte ledninger.** Knive, der kommer i kontakt med en strømførende ledning kan gøre metaldele på elværktøjet strømførende og give operatøren elektrisk stød.
- **Hold kablet væk fra klippeområdet.** Under klipningen kan kablet ligge skjult i buskadsset og kan utilsigtet blive ramt af sværdet.
- **Undersøg hækken for fremmedlegemer før betjening, f.eks. trådhegn.**
- **For at reducere risikoen for personskade som følge af tab af kontrol, er det vigtigt, at sværdet er frit af dig og alle andre forhindringer og genstande, herunder jorden, fordi motorens omdrejningstal bliver hurtigt nok til at aktivere og flytte værktøjets skær, når værktøjet startes.**
- **Lad ikke andre personer befinde sig inden for det generelle arbejdsområde.** Sørg for, at andre mennesker og kæledyr står mindst 15 m væk fra stanghækkeklipperen, når den er i brug.
- **Lad aldrig børn betjene hækkeklipperen.**
- **Brug begge hænder, når du betjener hækkeklipperen. Ved kun at bruge én hånd, kan man miste kontrollen, og det kan give alvorlig personskade.**

DK

- **Undgå at række for langt frem. Sørg altid for at stå ordentligt fast og i god balance. Der skal udvises særlig omhu, hvor det er glat (våd jord, sne) og terrænet er vanskeligt og tilgroet.** Se om der er skjulte forhindringer såsom træstubbe, rødder og grøfter for at undgå at falde. Vær meget forsigtig ved arbejde på skrånninger, eller hvor jorden er ujævn.
- **Må ikke anvendes på stiger, tage, træer eller andet ustabil underlag.** Stabilit fodfæste på en fast overflade giver bedre kontrol over hækkeklipperen i uventede situationer.
- **Hold hele tiden øje med skærene – klip ikke, hvis der er dele af hækken, du ikke kan se. Når du klipper toppen af en høj hæk, skal du kontrollere den anden side af hækken ofte for omkringstående, dyr og forhindringer.**
- Undersøg beskadigede dele, før yderligere brug af hækkeklipperen. Kontrollér, at de bevægelige dele ikke er fejljusterede eller binder eller er i en tilstand, der kan påvirke hækkeklipperens drift og betjening.
- Undersøg med hyppige mellemrum, at sværdets og motorens montagebolte er korrekt strammet til. Efterse også visuelt sværdet for skader (f.eks bøjet, revnet og slidt). Udskift kun sværdet med et svær fra EGO™.
- Udskift sværdet, hvis det er bøjet eller revnet. Et ubalanceret sværd giver vibrationer, der kan beskadige motoren eller forårsage personskade.
- Hvis udstyret skulle begynde at vibrere unormalt, stoppes motoren og undersøges straks for årsagen. Vibrationer er generelt en advarsel om problemer.
- Hækkeklipperen kan anvendes til at skære grene mindre end 26 mm tykke.
- Klip kun hæk i dagslys eller i god kunstig belysning.
- Brug ikke den batteridrevne hækkeklipper i regnvej.

YDERLIGERE ADVARSLER

- **Oplad ikke batteripakken i regnvej, eller hvor der er vådt.**
Produktet må kun bruges med batteripakkerne og opladerne, der står på listen i fig. A
- Batteripakken skal fjernes fra apparatet, før det kasseres.
- Batteriet skal bortskaffes på sikker måde.
- **Smid ikke batteriet i ilden.** Cellerne kan eksplodere. Undersøg de lokale forskrifter for eventuelle særlige anvisninger på bortskaffelse.
- **Undlad at åbne eller mishandle batteriet.** Udsivende elektrolyt er ætsende og kan forårsage skader på øjne eller hud. Den kan være giftig ved indtagelse.

⚠ ADVARSEL! Elektrolyt er en fortyndet svovlsyre, der er skadelig for hud og øjne. Den er elektrisk ledende og ætsende.

- **Udvis omhu i håndtering af batterier for ikke at kortslutte batteriet med ledende materialer, såsom ringe, armbånd og nøgler.** Batteriet eller lederen kan blive overophedet og forårsage forbrændinger.
- **Batteridrevne værktøjer behøver ikke at være tilsluttet en stikkontakt, og derfor er de altid driftsklar.** Vær opmærksom på mulige farer, selv når værktøjet ikke arbejder. Vær forsigtig, når du udfører vedligeholdelse eller service.
- **Fjern batteripakken inden service, rengøring eller fjernelse af materiale fra redskabet.**
- **Reserve dele** – Ved service må der kun bruges originale reservedele fra EGO. Brug af andet tilbehør eller påmontering kan øge risikoen for skader.
- **Dit elværktøj skal repareres af en kvalificeret person, og der må kun bruges identiske reservedele.** På denne måde sikrer man, at elværktøjet forbliver sikkert at bruge.
- **Undlad at vaske med en slange; undgå at få vand i motor og elektriske forbindelser.**
- **Opbevar værktøjet på et tørt, højt placeret eller aflåst sted, hvor det er uden for børns rækkevidde.**
- **Ved situationer, der ikke er dækket i denne vejledning: Vær forsigtig, og arbejd med omtanke. Kontakt EGO's servicecenter for at få hjælp.**
- **Gem disse anvisninger.** Brug dem ofte, og brug dem til at instruere andre, der skal bruge dette værktøj. Hvis du låner nogen dette værktøj, så lad dem få anvisningerne med, så de også undgår fejlbrug af produktet og mulig personskade.

GEM DISSE VEJLEDNINGER

BEMÆRK: I BRUGSANVISNINGEN TIL MOTORDELEN KAN DU FINDE YDERLIGERE SPECIFIKKE SIKKERHEDSREGLER.

SPECIFIKATIONER

Sværdlængde	51 cm	
Klippekapacitet	26 mm	
Vægt (uden batteri)	2,20 kg	
Anbefalet driftstemperatur	0°C-40°C	
Anbefalet opbevaringstemperatur	-20°C-70°C	
Målt lydeffekt L_{WA}	92,3 dB(A) K=2,72 dB(A)	
Lydtryk ved brugerens øre L_{PA}	80,4 dB(A) K=3 dB(A)	
Garanteret lydeffekt L_{WA} (målt i henhold til 2000/14/EC)	95 dB(A)	
Vibration a_h	Forreste hjælpehåndtag	4,9 m/s ² K=1,5 m/s ²
	Bageste håndtag	6,7 m/s ² K=1,5 m/s ²

- Ovenstående parametre er blevet testet og målt under anvendelse af motordel PH1400E.
- Den angivne samlede vibrationsstyrke er blevet målt i overensstemmelse med en standard testmetode, og kan bruges til at sammenligne et apparat med et andet.
- Den angivne samlede vibrationsstyrke kan også bruges i en foreløbig vurdering af eksponeringen.

Bemærk: Vibrationsemissionen under den faktiske anvendelse af apparatet, kan afvige fra den angivne værdi fra testen. For at beskytte brugeren, skal den bruge handsker og høreværn, når apparatet bruges.

PAKNINGSLISTE

DELNAVN	ANTAL
Stanghækkeklippertilbehør	1
Skruenøgle	1
Skede til sværd	1
Brugsvejledning	1

BESKRIVELSE

LÆR DIT STANGHÆKKEKLIPPERTILBEHØR AT KENDE (fig. A)

1. Skær
2. Buestykke med tænder
3. Startknap
4. Skaft til stanghækkeklipper
5. Blød manchete
6. Endedæksel
7. Justeringshåndtag
8. Gearkasse
9. Skruenøgle
10. Skede til sværd
11. Beskytter til spidsen (ekstraudstyr, SÆLGES SEPARAT)

DK

SAMLING

⚠ ADVARSEL: Hvis der er dele, der er beskadigede eller mangler, anvendes apparatet ikke, før delene er udskiftet. Brug af dette produkt med beskadigede eller manglende dele kan medføre alvorlig personskaade.

⚠ ADVARSEL: Undlad at ændre dette produkt eller lave tilbehør, der ikke anbefales til brug med denne stangsav. Enhver sådan ændring eller modifikation er misbrug og kan resultere i en farlig situation og føre til eventuel alvorlig personskaade.

⚠ ADVARSEL: Tilbehør må aldrig monteres eller tilpasses, mens motordelen kører eller med batteriet isat. Hvis motoren ikke standses og batteriet ikke fjernes, kan der ske alvorlig personskaade.

JUSTERING AF SVÆRDET

Når stanghækkeklipperen er taget ud af emballagen, er den bøjet i opbevaringsstilling, hvor sværdet ligger an mod skaftet (fig. B). Det anbefales at justere sværdet til en passende arbejdsstilling, før det sættes på motordelen.

Der er 12 mulige arbejdsstillinger. Vinklen på sværdet kan justeres 5 trin opad fra 0° (lige) til 45°, inklusiv 0°, og 7 trin nedad fra 0° til 90° (ret vinkel nedad) (fig. C), ikke inklusiv 0°.

1. Tryk på startknappen på justeringshåndtaget og samtidig drej justeringshåndtaget for at justere sværdet til den ønskede stilling (fig. D).
2. Når den ønskede stilling er nået, slippes startknappen. Et hørbart klik indikerer, at låsestiften er på plads i buestykket (fig. D).

Beskrivelse af dele på fig. D, se nedenfor:

D-1	Buestykke
D-2	Låsestift

⚠ ADVARSEL: For at mindske risikoen for tilskadekomst udføres justeringen først når skærene står stille. Berør aldrig skærene, når der foretages justeringer.

⚠ ADVARSEL: For at reducere risikoen for tilskadekomst stoppes værktøjet altid, og sværdsmeden sættes på, før sværdet sættes i lagerstilling eller tages fra opbevaringsstilling til normal arbejdsstilling.

STANGHÆKKEKLIPPERTILBEHØRET SÆTTES PÅ/ TAGES AF MOTORDELEN

Dette stanghækeklippertilbehør er beregnet til brug med EGO's 56V LITHIUM-ION motordel PH1400E. Ud over stillingen for klipping af top er der også en stilling for klipping af sider på stanghækeklipperens skaft, der kan sættes på motordelen (fig. E). For detaljerede arbejdsteknikker se afsnittet "ARBEJDSTEKNIKKER" i denne brugsanvisning.

Beskrivelse af dele på fig. E, se nedenfor:

E-1	Stilling for klipping af top
E-2	Stilling for klipping af sider

Se afsnittet "MONTERING AF TILBEHØR PÅ MOTORDEL" i brugsanvisningen til motordel PH1400E for tilslutning af stanghækeklipperen til motordelen.

Se afsnittet "AFMONTERING AF TILBEHØR PÅ MOTORDEL" i brugsanvisningen til motordel PH1400E for afmontering af stanghækeklipperen fra motordelen.

MONTERING AF BESKYTTER AF SPIDS (ekstraudstyr)

1. Brug en unbrakonøgle til at fjerne den korte bolt, spændeskiven, bøsningen og møtrikken på enden af sværdet (fig. F). Gem spændeskiven, bøsningen og møtrikken til genmonteringen.

Beskrivelse af dele på fig. F, se nedenfor:

F-1	Møtrik	F-3	Spændeskive
F-2	Bøsning	F-4	Kort Bolt

2. Flugt beskytteren til spidsen med bulen på sværdet, og montér den. Fastgør den med den nye lange bolt og møtrikken samt den gemte spændeskive, bøsning og møtrik (fig. G).

Beskrivelse af dele på fig. G, se nedenfor:

G-1	Møtrik	G-4	Bøsning
G-2	Beskytter til spidsen	G-5	Spændeskive
G-3	Møtrik	G-6	Lang Bolt

BETJENING

⚠ FARE: Arbejd aldrig i nærheden af kabler, elektriske ledninger eller andre elektriske kilder. Hvis skærene vikles ind i en elektrisk ledning eller stærkstrømsledning: **RØR IKKE VED SVÆRDET ELLER ALUMINIUMSSTANGEN! DE KAN BLIVE STRØMFØRENDE OG VÆRE MEGET FARLIGE.** Fortsæt med at holde i stanghækeklipperens isolerede bageste håndtag eller læg den ned og væk fra dig på en sikker måde. Afbryd strømmen til det/den kabel/ledning, der er beskudiget, inden du forsøger at frigøre sværdet fra ledning eller kabel. Berøring af sværd eller andre ledende dele af stanghækeklipperen eller strømeførende elektriske ledninger eller kabler kan medføre dødsfald forårsaget af elektricitet eller alvorlig personskade.

⚠ ADVARSEL: Selvom du får kendskab til motorsaven, skal du stadig passe på, når den bruges. Husk på, at det kan føre til alvorlige skader, hvis du ikke er opmærksom i blot et sekund.

⚠ ADVARSEL: Brug altid øjenbeskyttelse med sideskærme. Hvis ikke, kan du få genstande i øjnene, og andre skader kan opstå.

Før hver brug efterses hele produktet for beskadigede, manglende eller løse dele, såsom skruer, møtrikker, bolte, hætter osv. Stram alle møtrikker og hætter helt til, og betjen ikke dette produkt, før alle manglende eller beskadigede dele er udskiftet.

⚠ ADVARSEL: For at undgå alvorlig personskade fjernes batteripakken fra værktøjet før service, rengøring, udskiftning af påmonteringer, eller før der fjernes noget fra apparatet.

Efter hver brug rengøres værktøjet.

Se afsnittet Vedligeholdelse for oplysninger om rengøring.

ANVENDELSER

Du kan bruge dette produkt til at klippe hække, buskads, krat, buske og lignende med en grendiameter på under 26 mm i diameter.

BEMÆRK: Værktøjet skal kun bruges til det formål, det er beregnet til. Enhver anden anvendelse anses for at være et tilfælde af fejlbrug.

BRUG AF STANGHÆKKEKLIPPEN MED MOTORDELEN

⚠ ADVARSEL: Bær rigtig påklædning for at mindske risikoen for skader, når du betjener dette værktøj. Bær ikke løst tøj eller smykker. Bær øjen- og øre- / høreværn. Bær kraftige, lange bukser, støvler og handsker. Gå ikke i korte bukser, sandaler eller på bare fødder.

FORBEREDELSE TIL KLIPPEARBEJDET:

1. Justering af sværdet til den ønskede arbejdsstilling.
2. Fjern sværdskedan fra sværdet.
3. Betjeningen gøres sikker og behagelig ved at benytte skulderremmen. Justér skulderremmen, så den giver en behagelig arbejdsstilling. Følg vejledningen i afsnittet "MONTERING AF SKULDERREM" i brugsanvisningen til PH1400E for påsætning af skulderremmen på motordelen.

⚠ ADVARSEL: Skulderremmen er også en mekanisme til hurtig frigørelse i farlige situationer. Når der opstår en fare, så tag den straks af skulderen, uanset hvordan remmen er sat på.

ARBEJDSTEKNIKKER

■ Vandret klipning (med sværdet i en vinkel):

Klip tæt på jorden fra en stående position, f.eks. lave buske.

Sving sværdet op og ned, mens du bevæger dig langs hækken – brug begge sider af skærene; lad ikke sværdet hvile på jorden (fig. H).

■ Vandret klipning (med lige sværd):

Hold sværdet i en vinkel på 0° til 10°, mens du svinger stanghækkeklipperen vandret. Sving sværdet i en bue mod ydersiderne af hækken, så det afklippede materiale fejes ned på jorden (fig. I, J og K).

Anbefaling: Der bør kun klippes hække, der højst når brysthøjde, i denne arbejdsstilling.

■ Lodret klipning (med sværdet i en vinkel):

Klip uden at stå lige ved siden af hækken, f.eks. ved blomsterbed mellem bruger og hæk.

I denne arbejdsstilling anbefales det at sætte hækkeklipperen motordelen i stillingen til klipning af sider (se fig. E). Så har du bedre kontrol over stanghækkeklipperen.

Sving sværdet op og ned i en bue, mens du bevæger dig langs hækken – brug begge sider af sværdet (fig. L).

■ Lodret klipning (med lige sværd):

Ekstra lang rækkevidde uden brug af andre hjælpemidler.

Sving sværdet op og ned i en bue, mens du bevæger dig langs hækken – brug begge sider af sværdet (fig. M).

■ Klipning over hovedhøjde (med sværdet i en vinkel):

Hold hækkeklipperen lodret, og sving den i en bue for at gøre optimal brug af dens rækkevidde (fig. N). Ved ekstremt høje hække er forlængerstangen velegnet til støtte ved klipning.

⚠ ADVARSEL: Alt arbejde over hovedhøjde er anstrengende. For at minimere risikoen for uheld, bør der kun arbejdes i sådanne stillinger i korte perioder. Indstil vinklen for det justerbare sværd til maksimum, så værktøjet kan holdes i en lavere, mindre anstrengende stilling (med skulderrem) og stadig give tilstrækkelig rækkevidde.

START/STOP AF VÆRKTØJET

Se afsnittet "START / STOP AF MOTORDELEN" i brugsanvisningen til motordel PH1400E.

VEDLIGEHOLDELSE

⚠ ADVARSEL: Før eftersyn, rengøring eller service på enheden standses motoren. Vent til alle bevægelige dele er standset, og fjern batteripakken. Efterkommes disse anvisninger ikke, kan det medføre alvorlig personskade eller materielle skader.

⚠ ADVARSEL: Ved service må der kun bruges originale reservedele. Brug af andre reservedele kan medføre fare eller forårsage skader på produktet. For at sikre sikkerhed og pålidelighed skal alle reparationer udføres af en kvalificeret servicetekniker.

ALMINDELIG VEDLIGEHOLDELSE

Undgå at bruge opløsningsmidler ved rengøring af plastdele. De fleste plastmaterialer risikerer at blive ødelagt ved brug af forskellige typer af alment tilgængelige opløsningsmidler. Brug rene klude til at fjerne snavs, støv, olie, fedt osv.

RENGØRING AF APPARATET

- Brug en blød børste til at fjerne snavs fra alle luftindtag og kniv.
- Beg eller tjære og andre klæbrige stoffer fjernes ved at sprøjte knivene med opløsningsmiddel på grundlag af kunsharpiks. Lad motoren køre kortvarigt, så opløsningsmidlet fordeles jævnt.
- Brug ikke stærke rengøringsmidler på plastkabinettet eller -håndtaget. De kan tage skade af visse aromatiske olier, såsom fyr og citron, og opløsningsmidler såsom petroleum. Fugt kan også give elektrisk stød. Tør al fugt af med en blød tør klud. Brug aldrig vand til rengøring af værktøjet.

SLIBNING AF SKÆRENE

Når hækkeklipperens ydelse går ned, og den begynder at opføre sig anderledes, dvs. at knivene ofte sidder fast i grene: Slib skærene.

Det anbefales at få skærene slebet af en kvalificeret servicetekniker.

BEMÆRK: Brug ikke din hækkeklipper med sløve eller beskadigede knive. Dette kan medføre overbelastning og vil give en utilfredsstillende klipning.

SMØRING AF SVÆRDET

For at forhindre rust, anbefales det at smøre skærene med rustbeskyttende olie, når hækkeklipperen opbevares i længere tid.

⚠ ADVARSEL: Skærene er skarpe. Ved håndtering af knivdelen bæres skridsikre og kraftige handsker. Placér ikke din hånd eller dine fingre mellem knivene eller andre steder, hvor de kunne blive klemt eller snittet. Rør ALDRIG knivene, og udfør heller ikke service på apparatet med batteripakken isat.

TRANSMISSIONSGEARENES SMØRING

Transmissionsgearene i gearkassen skal smøres regelmæssigt med gearfedt. Kontrollér fedtmængden i gearkassen for hver ca. 50 timers drift ved at fjerne låseskruen på siden af gearkassen. Der er tre låseskruer: en på siden og to på toppen.

Hvis der ikke er fedt på siderne af gearet, skal du følge trinnene nedenfor og fylde 3/4 op med fedt.

Fyld ikke transmissionsgearene helt op.

1. Afhængigt af hvilken skrue du fjerner, holdes stanghækkeklipperen på siden eller lægges på bagsiden, så låseskruen, der skal skrues ud, vender opad (fig. O og P).
2. Brug skruenøglen til at løsne og fjerne låseskruen.
3. Brug en fedtsprøjte (medfølger ikke) til at pumpe fedt ind i skruenhullet; fyld op til højst 3/4 af kapaciteten.
4. Når der er presset fedt ind, spændes lukkeskruen.

OPBEVARING AF APPARATET

- Fjern batteripakken fra værktøjet.
- Rengør værktøjet grundigt, før det lægges væk.
- Sæt sværdskedlen på sværdet inden opbevaring eller transport. Vær forsigtig, og undgå skærenes skarpe tænder.
- Hvis hækkeklipperen afmonteres fra motordelen og opbevares særskilt, sættes endedækslet på tilbehørets skaft for at undgå at snavs trænger ind i koblingsstykket.

- Opbevar apparatet på et tørt og godt ventileret sted, der er låst og utilgængeligt for børn. Opbevar ikke apparatet på eller ved siden af kunstgødning, benzin eller andre kemikalier.

Beskyttelse af miljøet



Elektrisk udstyr, batterier, opladere og genopladelige batterier må ikke bortskaffes med almindeligt husholdningsaffald!

Ifølge EU-lovene 2012/19/EC og 2006/66/EU, skal elektrisk og elektronisk udstyr, der ikke længere er brugbart, samt defekte og opbrugte batteripakker/batterier, indsamles særskilt.

Hvis elektriske apparater bortskaffes på lossepladser, kan farlige stoffer lække i grundvandet og komme ind i fødekæden, som kan være skadeligt for din sundhed og velvære.

FEJLFINDING

PROBLEM	ÅRSAG	LØSNING
Stanghækkeklipperen virker ikke.	<ul style="list-style-type: none"> ■ Batteripakken er ikke sat på stanghækkeklipperen. ■ Ingen elektrisk kontakt mellem hækkeklipper og batteri. ■ Batteripakken er løbet tør for strøm. ■ Låseknappen er ikke trykket ned, inden der trykkes på gashåndtaget. ■ Batteripakken eller motordelen er for varm. ■ Kniven sidder fast. ■ Stanghækkeklipperen er ikke godt forbundet med motordelen. 	<ul style="list-style-type: none"> ■ Sæt batteripakken på stanghækkeklipperen. ■ Tag batteripakken ud, kontroller kontakterne og sæt batteripakken i igen. ■ Oplad batteripakken. ■ Tryk låsehåndtaget ned, og hold det, tryk derefter på startknappen for at starte værktøjet. ■ Lad batteripakken eller motordelen køle ned, indtil temperaturen kommer under 67 °C. ■ Fjern batteripakken fra værktøjet. Fjern forsigtigt fremmedlegemet, og sæt batteriet og genstart værktøjet. ■ Adskil stanghækkeklipperen fra motordelen. Saml dem igen ved at følge afsnittet "MONTERING TILBEHØR PÅ MOTORDEL" i brugsanvisningen til PH1400E.
Kraftig vibration eller støj.	<ul style="list-style-type: none"> ■ Tørre eller rustne skær. ■ Skær eller skinne er bøjet. ■ Bøjede eller beskadigede tænder. ■ Løse bolte i sværdet 	<ul style="list-style-type: none"> ■ SMØR SKÆRENE ■ Udskift med et nyt skær eller skinne. Kontakt EGO's servicecenter for udskiftning af skær eller skinne. ■ Udskift med et nyt skær eller skinne. Kontakt EGO's servicecenter for udskiftning af skær eller skinne. ■ Spænd boltene på sværdet. Med en skrueøgle (medfølger ikke) drejes boltene med uret for at spænde.

DK

GARANTI

EGO's GARANTIPOLITIK

Besøg venligst hjemmesiden egopowerplus.com for fuldstændige vilkår og betingelser for EGO's garantipolitik.

LÄS IGENOM ALLA INSTRUKTIONER!



LÄS IGENOM BRUKSANVISNINGEN

⚠ Kvarstående risker! Personer med elektroniska implantat såsom hjärtstimulatorer bör konsultera sin(a) läkare innan de använder denna produkt. Användning av elutrustning nära en hjärtstimulator kan störa eller avbryta dess funktion.

⚠ VARNING! Alla reparationer bör utföras av en kvalificerad servicetekniker för att upprätthålla produktens säkerhet och driftsäkerhet.

SE

SÄKERHETSSYMBOLER

Syftet med säkerhetssymboler är att fästa din uppmärksamhet på eventuella risker. Säkerhetssymbolerna och deras betydelser bör uppmärksammas nogga och förstås. Själva varningssymboler kan dock inte förebygga någon fara. De instruktioner och varningar som de hänvisar till kan aldrig ersätta lämpliga olycksförebyggande åtgärder.

⚠ VARNING! Se till att läsa igenom och förstå alla säkerhetsinstruktioner i bruksanvisningen, inklusive alla varningssymboler såsom **“RISK”**, **“VARNING”** och **“VAR FÖRSIKTIG”**, innan produkten tas i bruk. Underlåtenhet att följa alla nedan angivna instruktioner kan leda till elstöt, brand och/eller svår personskada

YMBOLERNAS BETYDELSE

⚠ SÄKERHETSRELATERAD VARNINGSSYMBOL: Betecknar **RISK**, **VARNING** eller **VAR FÖRSIKTIG**. Kan förekomma i samband med andra symboler eller piktogram.








⚠ VARNING! Arbete med eldrivna verktyg kan medföra att främmande föremål slungas upp i ögonen vilket kan orsaka svåra ögonskador. Ta alltid på dig skyddsglasögon eller skyddsglasögon med sidoskydd och vid behov ett komplett ansiktsskydd innan du börjar arbeta med eldrivna verktyg. Vi rekommenderar att använda en Wide Vision Safety Mask ovanpå glasögon eller vanliga skyddsglasögon med sidoskydd.

SÄKERHETSINSTRUKTIONER

På denna sida anges säkerhetssymboler som kan förekomma på produkten. Alla instruktioner som anges på enheten bör granskas, förstås och följas innan du försöker montera och använda den.

	Säkerhetsvarning	Hänvisar till eventuell risk för personskada
	Läs igenom Bruksanvisningen	För att minska risken för personskador måste användaren läst igenom och förstått bruksanvisningen innan denna produkt används.
	Använd skyddsglasögon	Ha alltid på dig skyddsglasögon eller skyddsglasögon med sidoskydd och ett ansiktsskydd under arbete med denna produkt.
	Använd skyddshjälm	Använd en godkänd skyddshjälm för att skydda huvudet.
	Använd hörselskydd	Använd alltid hörselskydd när denna produkt används.
	Skärbladens längd	Skärbladets längd
	Beskärning Kapacitet	Högsta skärkapacitet för skärbladet
	Håll händer och fötter borta från skärverktyget.	Försök aldrig att använda elverktyget med endast en hand. Om du tappar kontrollen över elverktyget kan det resultera i allvariga personskador eller dödsfall. För att minska risken för skärsår, håll händer och fötter på avstånd från skärverktyget. Vidrör aldrig ett rörligt skärverktyg med handen eller någon annan kroppsdelen.

	Håll åskådare borta	Se till att övriga personer och husdjur håller ett avstånd på minst 15 meter från häcktrimmern när den används.
	Får inte utsättas för regn	Får inte användas i regn eller lämnas utomhus medan det regnar.
IPX4	IP-symbol	Skyddar mot inträngande av vatten grad 4
	CE	Denna produkt är i enlighet med gällande EC-direktiv.
	WEEE	Förbrukade elektriska produkter får inte kastas i hushållssoporna. Lämnas in dem till en auktoriserad återvinningsstation.
	Brus	Garanterad ljudeffektivitet. Bulleremissioner för omgivningen enligt EU-direktivet.
V	Volt	Spänning
mm	Millimeter	Längd eller storlek
cm	Centimeter	Längd eller storlek
kg	Kilogram	Vikt

VIKTIGA SÄKERHETSINSTRUKTIONER

⚠ VARNING! Vid användning av elektriska trädgårdsredskap måste de allmänna försiktighetsåtgärderna alltid följas för att minska risken för brand, elektriska stötar och personskador. Inklusive följande:

LÄS NOGA IGENOM FÖRE ANVÄNDNING

SPARA FÖR FRAMTIDA BRUK

⚠ FARA! Använd inte i närheten av elledningar. Enheten har inte utveckats för att ge skydd mot elektriska stötar vid kontakt med elektriska luftledningar. Rådfråga dina lokala bestämmelser för ett säkert avstånd från elektriska luftledningar, samt se till att hålla verktyget på ett säkert sätt innan det används.

SÄKERHETSVARNINGAR FÖR HÄCKTRIMMERN

⚠ FARA! Håll händerna borta från skärbladet. Kontakt med skärbladet kommer att resultera i allvarliga personskador.

- **Håll alla kroppsdelar borta från skärbladet. Ta inte ut avskurna objekt eller håll i dem för skärning när skärbladen snurrar. Se till att strömbrytaren är av vid rensning av objekt som fastnat.** Ett ögonblicks uppmärksamhet vid användning av häcktrimmern kan leda till allvarliga personskador
- **På maskinen med ett specifikt transportläge (skärbladet ihopfällt platt mot häcktrimmerns axel): Starta aldrig maskinen i transportläge, eftersom skärbladen inte är aktiverade i det läget och det går därför inte att kontrollera att skärbladen stoppas när maskinen är överksam när du börjar justera skärbladet till önskat skärläge (när skärbladen är aktiverade).**
- **Bär häcktrimmern i handtaget med skärbladet stoppat.** Vid transport eller förvaring av häcktrimmern, montera alltid fast skyddet för skärenheten. Korrekt hantering av häcktrimmern minskar eventuella personskador från skärbladen.
- **Ta inte tag i de exponerade skärbladen eller skärepparna när du tar upp eller håller i häcktrimmern.**
- **Håll endast elverktyget i de isolerade greppytorna eftersom skärbladet kan komma i kontakt med döda elledningar.** Om skärbladen kontaktar en strömförande ledning kan exponerade metalldelar på det motordrivna verktyget också bli strömförande, vilket kan resultera i att operatören utsätts för elektriska stötar.
- **Håll kabeln borta från skärområdet.** Vid användning kan kabeln döljas i buskar och oavsiktligt kapas av skärbladet.
- **Kontrollera häcken efter främmande objekt som t.ex. trådstängsel före användning.**
- **För att minska risken för personskador vid tappad kontroll, var helt säker på att skärbladet är fritt från dig och övriga hinder och föremål, inklusive marken, eftersom motorhastigheten är tillräckligt hög för att aktivera och snurra skärbladet när verktyget startas.**
- **Tillåt inte andra personer att uppehålla sig inom arbetsområdet.** Se till att övriga personer och husdjur håller ett avstånd på minst 15 meter från häcktrimmern när den används.
- **Låt aldrig barn använda häcktrimmern.**
- **Använd båda händerna vid användning av häcktrimmern. Om bara en hand används kan det resultera i att kontrollen tappas, vilket kan resultera i allvarliga personskador.**
- **Undvik att sträcka ut dig. Håll ett gott fotfäste och balans vid alla tillfällen. Var extra försiktig**

SE

vid halkiga förhållanden (vått underlag, snö) och i besvärlig, bevuxen terräng. Håll utkik efter dolda hinder som stubbar, rötter och diken för att undvika nedfallna grenar, buskar och sticklingar. Var extremt försiktigt vid arbete i slutningar eller ojämn mark.

- Använd inte på en stege, hustak, träd eller annat instabilt stöd. Stabilt fotfäste på en fast yta ger dig bättre kontroll över häcktrimmern i oväntade situationer.
- Observera skärbladen vid alla tillfällen – beskar inte något område av häcken som du inte ser. Vid beskärning av toppen på en högre häck, kontrollera regelbundet den andra sidan på häcken efter åskådare, djur och hinder.
- Kontrollera efter skadade delar på häcktrimmern innan den används igen. Kontrollera efter felinställning av rörliga delar, bindning av rörliga delar, brott på delar, fästena och alla andra tillstånd som kan påverka användningen.
- Kontrollera regelbundet skärbladet och att motorfästets bultar är korrekt åtdragna. Inspektera även skärbladet visuellt efter skador (t.ex. böjt, spräckt eller slitet). Byt endast ut skärbladet mot ett skärblad från EGO™.
- Byt ut skärbladet om det är böjt eller spräckt. Ett obalanserat skärblad orsakar vibrationer som kan skada motorenheten eller orsaka personskador.
- Om utrustningen börjar vibrera onormalt, stoppa omedelbart motorn och leta efter orsaken. Vibrationer är vanligtvis en varning för problem.
- Trimmern ska användas för att kapa stammar som är högst 26 mm tjocka.
- Använd enbart häcktrimmern i dagsljus eller i bra artificiellt ljus.
- Använd inte den batteridrivna häcktrimmern när det regnar.

YTTERLIGARE VARNINGAR

- Ladda inte batteripacket i regn eller på våta platser.
Använd endast med de batteripack och laddare som listas i bild A.
- Batteripacket måste tas ur apparaten innan det skrotas.
- Batteriet ska kasseras säkert.
- Kassera inte batteriet i en öppen eld. Cellerna kan explodera. Kontrollera med dina lokala lagar för särskilda instruktioner för kassering.

- Du får inte öppna eller manipulera batteriet. Utsläppt elektrolyt är frätande och kan orsaka skador på ögon eller hud. Den kan även vara giftig om den förtärs.

⚠ WARNING! Elektrolyt är utspädd svavelsyra, som är skadlig för huden och ögonen. Det är elektriskt ledande och frätande.

- Var försiktig när du hanterar batterier för att inte kortslua dem med ledande material som t.ex. ringar, armband och nycklar. Batteriet eller ledaren kan överhettas och orsaka brännskador.
- Batteridrivna verktyg behöver inte vara anslutna till ett eluttag och är därför alltid redo för användning. Var medveten om eventuella faror även när verktyget inte är igång. Var försiktig när du utför underhåll eller service.
- Ta ut batteripacket före service, rengöring eller borttagning av material från verktyget.
- Reservdelar - Vid service, används endast identiska reservdelar från EGO. Användning av andra tillbehör och tillsatser kan öka risken för personskador.
- Serva ditt elverktyg hos en kvalificerad servicetekniker som endast använder identiska utbytesdelar. Det garanterar att säkerheten hos elverktyget bevaras.
 - Tvätta inte av den med en slang; låt inte vatten tränga in i motorn och de elektriska anslutningarna.
- Förvara verktyget på en högt upp på en torr plats eller inlåst - utom räckhåll för barn.
- Om situationer uppstår som inte tas upp i denna manual, var försiktig och använd sunt förnuft. Kontakta EGO Service Center för hjälp.
- Spara dessa instruktioner. Hänvisa till dem regelbundet och använd dem även för att instruera andra hur man använder detta verktyg. Om du lånar ut detta verktyg till någon, se även till att låna ut dessa instruktioner för att förhindra att produkten används felaktigt eller orsakar eventuella personskador.

SPARA DESSA INSTRUKTIONER

OBS! SE MOTORENHETENS BRUKSANVISNING FÖR KOMPLETTERANDE SÄKERHETSREGLER.

SPECIFIKATIONER

Skärbladens längd	51 cm
Skärkapacitet	26 mm
Vikt (utan batteripack)	2,20 kg
Rekommenderad drifttemperatur	0°C-40°C
Rekommenderad förvaringstemperatur	-20°C-70°C
Uppmätt ljudeffektsnivå L_{WA}	92,3 dB(A) K=2,72 dB(A)
Ljudtrycksnivå på operatörens plats L_{PA}	80,4 dB(A) K=3 dB(A)
Garanterad ljudeffektsnivå L_{WA} (enligt 2000/14/EG)	95 dB(A)
Vibration a_h	Främre handtag 4,9 m/s ² K=1,5 m/s ²
	Bakre handtag 6,7 m/s ² K=1,5 m/s ²

- Ovanstående parametrar har testats och utmätts med motorenhet PH1400E.
- Det angivna totalvärdet för vibration är uppmätt enligt standardprovningemetoden och kan användas för att jämföra olika verktyg;
- Det angivna totalvärdet för vibration kan även användas vid preliminär utvärdering av exponering.

OB: Den verkliga vibrationen under arbete med det eldrivna verktyget kan avvika från det angivna värdet. Användaren bör ha på sig lämpliga handskar och hörselskydd för de aktuella arbetsförhållandena för att skydda sig

PACKNINGSLISTA

ARTIKELNAMN	ANTAL
Tillsats för stånghäcksax	1
Skiftnyckel	1
Fodral för skärblad	1
Bruksanvisning	1

BESKRIVNING

LÄRA KÄNNA DIN TILLSATS FÖR STÅNGHÄCKSAX (bild A)

1. Skärblad
2. Kvadrant
3. Gasreglage
4. Axel för stånghäcksax
5. Mjuk hylsa
6. Ändlock
7. Justeringsspak
8. Växelhus
9. Skiftnyckel
10. Fodral för skärblad
11. Spetskydd (tillval, SÄLJS SEPARAT)

MONTERING

⚠ VARNING! Om någon av delarna skadats eller saknas, använd inte denna produkt förrän delarna har bytts ut. Användning av denna produkt med skadade eller saknade delar kan resultera i allvarliga personskador.

⚠ VARNING! Försök inte att modifiera denna produkt eller skapa tillbehör som inte rekommenderas för användning med denna stängsåg. Alla sådana ändringar eller modifieringar är felaktig användning och resulterar i farliga förhållanden som kan leda till allvarliga personskador.

⚠ VARNING! Du får aldrig montera eller justera något tillbehör medan motorenheten är igång eller med batteriet monterat. Underlåtenhet att stoppa motorn och ta ut batteriet kan orsaka allvarliga personskador.

JUSTERA SKÄRBLADET

När stånghäcksaxen tas ut från förpackningen är den ihopfäld i dess förvaringsläge, med skärbladet mot axeln (bild B). Det rekommenderas att justera skärbladet i ett lämpligt arbetsläge innan den monteras till motorenheten.

Det finns 12 olika arbetslägen. Skärbladets vinkeln kan justeras uppåt i 5 olika lägen från 0° (rak) till 45°, inklusive 0°, och nedåt i 7 olika lägen från 0° till 90° (nedåtriktad vinkel) (bild C), ej inklusive 0°.

1. Tryck på avtryckaren på justeringsspaken och vrid samtidigt justeringsspaken för att justera skärbladet till önskat skärläge (bild D).
2. Släpp upp avtryckaren när önskat läge har ställts in. Ett klickljud indikerar att låsstiftet har aktiverats i kvadranten, korrekt på plats (bild D).

SE

Bild D. Se nedan för beskrivning av delar:

D-1	Kvadrant
D-2	Låsstift

⚠ VARNING! För att minska risken för personskador, utför endast justeringar när skärbladen är stillastående. Rör aldrig skärbladen vid justeringen.

⚠ VARNING! För att minska risken för personskador, stoppa alltid verktyget och montera skärbladets fodral innan skärbladet flyttas till förvaringsläget eller från förvaringsläget till normalt arbetsläge.

ANSLUTA/TA BORT TILLSATSEN FÖR STÅNGHÄCKSAKEN TILL MOTORENHETEN

Denna tillsats för stånghäcksax är utvecklad för användning med EGO motorenhet PH1400E med 56 volts litium-jon-batteri. Förutom toppbeskränning finns det ett sidbeskräningsläge på stånghäcksaxens axel för anslutning till motorenheten (bild E). För detaljerade arbetstekniker, se avsnittet "ARBETSTEKNIKER" i denna bruksanvisning.

Bild E. Se nedan för beskrivning av delar:

E-1	Toppbeskräningsläge
E-2	Sidbeskräningsläge

Se avsnittet "MONTERA EN TILLSATS TILL MOTORENHETEN" i bruksanvisningen för motorenhet PH1400E för hur man ansluter stånghäcksaxen till motorenheten.

Se avsnittet "TA BORT EN TILLSATS PÅ MOTORENHETEN" i bruksanvisningen för motorenhet PH1400E för att ta bort stånghäcksaxen från motorenheten.

MONTERA SPETSSKYDDET (tillval)

- Använd en insexnyckel för att avlägsna den korta bulten, bussningen och muttern i slutet på skärbladet (bild F). Spara planbrickan, bussningen och muttern för återmonteringen.

Bild F. Se nedan för beskrivning av delar:

F-1	Mutter	F-3	Planbricka
F-2	Bussning	F-4	Kort bult

- Rikta in spetskyddet med utbuktningen på skärbladet och montera den på plats. Säkerställ den med den nya långa bulten och muttern, samt den bricka, bussning och mutter som sparats (bild G).

Bild G. Se nedan för beskrivning av delar:

G-1	Mutter	G-4	Bussning
G-2	Spetskydd	G-5	Planbricka
G-3	Mutter	G-6	Lång bult

ANVÄNDNING

⚠ FARA! Kapa aldrig i närheten av elledningar, strömkablar eller andra strömkällor. Om skärbladen fastnar i en elledning eller strömkabel, **VIDRÖR INTE SKÄRBLADET ELLER ALUMINIUMSTÅNGEN!** DE KAN BLI STRÖMFÖRANDE OCH MYCKET FARLIGA! Fortsätt att hålla stånghäcksaxen i det isolerade bakre handtaget eller lägg ner den i riktning från dig på ett säkert sätt. Koppla ur elektriciteten för den skadade ledningen eller kabeln innan du försöker frigöra skärbladet från ledningen eller kabeln. Kontakt med skärbladet, övriga strömlödande delar på stånghäcksaxen, eller strömförande strömkablar eller elledningar kan resultera i allvarliga personskador eller dödsfall.

⚠ VARNING: Var aldrig vårdslös, även om du är väl förtrogen med verktyget. Glöm inte att en bråkdel av en sekund av ouppmärksamhet är tillräcklig för att orsaka svåra personskador.

⚠ VARNING: Använd alltid skyddsglasögon med sideskydd. Annars kan det förekomma ögonskador pga utslungade föremål och andra svåra personskador

Före varje användning, inspektera hela produkten efter skadade, saknade eller lösa delar som t.ex. skruvar, muttrar, bultar, lock osv. Dra åt alla fästen och lock och använd inte produkten förrän alla saknade eller skadade delar har ersatts.

⚠ VARNING! För att förhindra allvarliga personskador, ta ut batteripacket före service, rengöring, ändring av tillbehör eller borttagning av material från enheten.

Rengör verktyget efter varje användning.

Se avsnittet Underhåll för rengöringsinstruktioner.

TILLÄMPNINGAR

Du kan använda denna produkt för att trimma häckar, buskar, busksnår och liknande material på grenar som en diameter som understiger \varnothing 26 mm.

OBS! Verktyget får endast användas för sitt avsedda ändamål. All annan användning bedöms som felaktig användning.

ANVÄNDA STÅNGHÄCKSAKEN MED MOTORENHETEN

⚠ VARNING! Använd korrekta kläder för att minska risken för personskador vid användning av detta verktyg. Använd inte löst sittande kläder eller smycken. Använd ögon- och öron-/hörselskydd. Använd rejåla långbyxor, kängor och handskar. Använd inte kortbyxor, sandaler eller gå barfota.

FÖRBEREDELSE FÖR SKÄRNING:

1. Justera skärbladet till önskat arbetsläge.
2. Ta bort fodralet från skärbladet.
3. För en säkrare och bättre användning, använd axelremmen över din axel. Justera axelremmen till ett bekvämt arbetsläge. Följ instruktionerna i avsnittet "MONTERA AXELREMME" i bruksanvisningen för motorenhet PH1400E för hur man monterar axelremmen till motorenheten.

⚠ VARNING! Axelremmen är även en snabb frigöringsmekanik vid farliga situationer. När ett nödläge inträffar, ta omedelbart av den från axeln oavsett vilket läge som remmen är i.

ARBETSTEKNIKER

- **Horisontell skärning (med skärbladet vinklat):** Beskär nära marken från ett stående läge, t.ex. låga buskar.

Svinga skärbladet upp och ner runt häcken - använd båda sidorna av skärbladet, undvik att placera skärbladet mot marken (bild I).

- **Horisontell skärning (med rakt skärblad):**

Håll skärbladet med 0 ° till 10 ° vinkel och svinga stånghäcksaxen horisontellt. Svinga skärbladet i en båge mot häckens utsida så att de avklippta delarna sveps till marken (bild J, K och L).

Rekommendation: Beskär endast häckar som är i högst brösthöjd med detta arbetsläge.

- **Vertikal skärning (med skärbladet vinklat):** Beskär utan att stå direkt bredvid häcken, t.ex. en rabatt mellan användaren och häcken.

I detta skärläge rekommenderas det, för bättre kontroll över stånghäcksaxen, att ansluta häcktrimmern med motorenheten i sidobeskrivningsläget (se bild E).

Svinga skärbladet upp och ner i en båge runt häcken - använd båda sidorna av skärbladet (bild L).

- **Vertikal skärning (med rakt skärblad):** Extra lång räckvidd utan behov av andra hjälpmedel. Svinga skärbladet upp och ner i en båge runt häcken - använd båda sidorna av skärbladet (bild M).

- **Beskrining över huvudhöjd (med skärbladet vinklat):**

Håll häcktrimmern vertikalt och svinga den i en båge för maximal användning av dess räckvidd (bild N). För extremt höga häckar är förlängningsstången lämplig för hjälpmedel för trimning.

⚠ VARNING! Alla arbetslägen ovanför huvudhöjd är utmattande. För att minska risken för olyckor, arbeta endast korta perioder i dessa positioner. Ställ in vinkeln för det justerbara skärbladet till högsta läget så att verktyget kan hållas i ett lägre, mindre tröttsamt läge (med axelrem) medan tillräcklig räckvidd ännu bibehålls.

STARTA/STOPPA VERKTYGET

Se avsnittet "STARTA/STOPPA MOTORENHETEN" i bruksanvisningen för motorenhet PH1400E.

UNDERHÅLL

⚠ VARNING! Före inspektion, rengöring eller service av enheten, stoppa motorn, vänta tills alla rörliga delar har stoppats och ta sedan ut batteripacket. Underlåtenhet att följa dessa instruktioner kan resultera i allvariga personskador eller skada på egendom.

⚠ VARNING! Vid service, används endast identiska utbytesdelar. Om andra delar används kan det skapa en fara eller orsaka produktskador. För att garantera en säker och pålitlig användning måste alla reparationer utföras av en kvalificerad servicetekniker.

ALLMÄNT UNDERHÅLL

Använd inte lösningsmedel när du rengör plastdelarna. De flesta plaster är känsliga för skador från olika typer av kommersiella lösningsmedel och kan skadas av dess användning. Använd rena trasor för att ta bort smuts, damm, olja, fett osv.

RENGÖRA ENHETEN

- Använd en mjuk borste för att ta bort skräp från alla luftintag och skärbladet.
- För att ta bort tjära och andra klabbiga rester, spreja skärbladen med lösningsmedel för harts. Kör motorn en kort stund så att lösningsmedlet blir jämnt fördelat.
- Använd inte starka rengöringsmedel på plasthöljet eller handtaget. De kan skadas av vissa aromatiska oljor som t.ex. tall och citron, samt av lösningsmedel som t.ex. fotogen. Fukt kan även utgöra en risk för elektriska stötar. Torka bort fukt med en mjuk och torr trasa. Använd aldrig vatten för att rengöra verktyget.

VÄSSA SKÄRBLADET

När beskärningens prestanda och egenskaper börjar försämrats, t.ex. skärbladet river regelbundet på trädgrenar: Vässa skärbladen.

Det rekommenderas att överlåta vässning av skärbladen till en behörig servicetekniker.

SE

OBS! Använd inte häcktrimmern med slöa eller skadade skärblad. Det kan orsaka överbelastning och kommer att ge ett otillfredsställande klippresultat.

SMÖRJA IN SKÄRBLADET

För att förhindra rost så rekommenderas det att smörja in skärbladen med antirost-olja när den ska förvaras under en längre tid.

⚠️ WARNING! Skärbladen är mycket vassa. Vid hantering av skärbladsmonteringen, använd halkfria och kraftiga skyddshandskar. Placera inte handen eller dina fingrar mellan skärbladen eller i ett läge där de kan klämmas eller skäras. Vidrör ALDRIG skärbladen eller serva enheten med batteripacket monterat.

SE

SMÖRJNING AV VÄXELLÅDAN

Växellådan i växelhuset måste smörjas regelbundet med växellådsolja. Kontrollera växellådans fettnivå efter varje 50 timmars användning genom att ta bort tätningsskruven på växelhuset. Det finns tre tätningsskruvar med en på sidan och två på ovensidan.

Om inget fett kan ses på sidorna av växellådan, följ stegen nedan för att fylla på med växellådsolja upp till 3/4 kapacitet.

Fyll inte upp den fullt.

1. Beroende på vilken skruv som avlägsnas, håll stånghåcksaxen på sidan eller lägg den på rygg så att tätningsskruven som ska tas bort är riktad uppåt (bild O och P).
2. Använd skiftnyckeln (medföljer) för att lossa och ta bort tätningsskruven.
3. Använd en fettspruta (medföljer ej) för att trycka in lite fett i skruvhålet. Överskrid inte 3/4 kapacitet.
4. Dra åt tätningsskruven efter appliceringen.

FÖRVARA ENHETEN

- Ta bort batteriet från verktyget.
- Rengör verktyget noga innan förvaring.
- Montera skärbladets fodral på skärbladet före förvaring eller transport. Var försiktig med de skarpa sågtänderna på skärbladen.
- Om häcktrimmern tas bort från motorenheten och förvaras separat, montera ändlocket på tillsatsens axel för att undvika att smuts tränger in i kopplingen.
- Förvara enheten på en torr, välventilerad plats, inlåst eller högt upp, utom räckhåll för barn. Förvara inte enheten på eller i anslutning till gödningsmedel, bensin eller andra kemikalier.

Miljöskydd



Elektriska enheter, batteriladdare och batterier/uppladdningsbara batterier får inte kastas med hushållsavfall!

Enligt det europeiska direktivet 2012/19/EU ska uttjänta elektriska och elektroniska enheter samlas separat och hanteras på ett miljövänligt sätt; samma gäller för defekta eller uttjänta batteripack/batterier enligt det europeiska direktivet 2006/66/EG

Om elektriska enheter hamnar i soptippar eller avfallsdepåer kan farliga ämnen läcka ut till grundvattnet, hamna i näringskedjan och skada din hälsa och ditt välmående.

FELSÖKNING

PROBLEM	ORSAK	ÅTGÄRD
Stånghäcksaxen fungerar inte.	<ul style="list-style-type: none"> ■ Batteripacket är inte monterat på stånghäcksaxen. ■ Ingen elektrisk kontakt mellan häcktrimmern och batteriet. ■ Batteripacket är urladdat. ■ Säkringen och avtryckaren är inte nedtryckta samtidigt. ■ Batteripacket eller motorenheten är överhettad. ■ Skärbladet har fastnat. ■ Stånghäcksaxen är inte korrekt ansluten till motorenheten. 	<ul style="list-style-type: none"> ■ Montera batteripacket på stånghäcksaxen. ■ Ta ut batteriet, kontrollera kontaktarna och sätt i batteripacket igen. ■ Ladda batteripacket. ■ Tryck in startspärren och håll den nertryckt, tryck sedan in gasreglaget för att slå på verktyget. ■ Låt batteripacket eller motorenheten svalna tills temperaturen sjunker under 67 °C. ■ Ta bort batteriet från verktyget. Ta bort hindret noggrant och montera sedan tillbaka batteriet och starta om verktyget. ■ Koppla bort stånghäcksaxen från motorenheten. Återanslut dem enligt avsnittet "MONTERA ETT TILLBEHÖR TILL MOTORENHETEN" i bruksanvisningen för motorenhet PH1400E.
Kraftiga vibrationer eller oljud.	<ul style="list-style-type: none"> ■ Torra eller rostiga skärblad. ■ Skärbladet eller dess hållare är böjd. ■ Böjd eller skadad sågtand. ■ Skärbladets bultar behöver dras åt. 	<ul style="list-style-type: none"> ■ Smörj in skärbladen. ■ Byt ut mot ett nytt skärblad eller hållare. Kontakta EGO servicecenter för utbyte av skärblad eller hållare ■ Byt ut mot ett nytt skärblad eller hållare. Kontakta EGO servicecenter för utbyte av skärblad eller hållare ■ Dra åt skärbladets bultar. Använd en skiftnyckel (medföljer ej) för att skruva bultarna medurs.

SE

GARANTI

GARANTIVILLKOREN AV EGO

Var god besök webbplatsen egopowerplus.com för att se de fullständiga garantivillkoren av EGO

LUE KAIKKI OHJEET!



LUE KÄYTTÄJÄN KÄSIKIRJA

⚠ Jäännösriski! Henkilöiden, joilla on sydämentahdistin tai muu vastaava elektroninen laite, tulisi keskustella lääkärin kanssa ennen tämän tuotteen käyttöä. Sähkölaitteiden käyttö sydämentahdistimen lähettyvillä saattaa häiritä tahdistimen toimintaa tai aiheuttaa vakavan toimintahäiriön.

⚠ VAROITUS: Valtuutetun huoltoteknikon tulee suorittaa kaikki korjaukset ja osien vaihdot, jotta voidaan taata tuotteen turvallinen ja luotettava käyttö.

TURVALLISUUSYMBOLIT

FI

Turvamerkin tarkoitus on kiinnittää huomio mahdollisiin vaaroihin. Sinun tulee lukea huolellisesti käyttöohjeet ja ymmärtää turvamerkit ja niiden selitteet. Turvamerkit eivät itsessään poista vaaraa. Niiden antamat ohjeet ja varoitukset eivät korvaa asianmukaisia tapaturman torjuntatoimenpiteitä.

⚠ VAROITUS: Varmista, että luet ja ymmärrät kaikki tämän käyttäjän käsikirjan turvallisuusohjeet, mukaan lukien kaikki vaaramerkit, kuten "VAARA", "VAROITUS" ja "HUOMIO", ennen kuin käytät työkalua. Alla mainittujen ohjeiden noudattamatta jättäminen voi aiheuttaa sähköiskun, tulipalon ja/tai vakavan henkilövahingon.

MERKIN SISÄLTÖ

⚠ VAROITUSMERKKI: Ilmaisee seuraavia: **VAARA, VAROITUS TAI HUOMIO.** Voidaan käyttää yhdessä muiden merkien tai kuvamerkkien kanssa.



⚠ VAROITUS: Vierasesineitä voi sähkötyökalujen käytön seurauksena lentää silmiin, ja ne voivat aiheuttaa vakavan silmävamman. Käytä aina suojalaseja tai turvalaseja sivusuojilla ja tarvittaessa kokokasvosuojusta ennen sähkötyökalun käytön aloittamista. Suosittelimme laajan näkökentän kasvosuojusta silmälasien päälle tai vakioturvalaseja sivusuojilla.

TURVALLISUUSOHJEET

Tällä sivulla kuvataan ja esitellään turvallisuusymbolit, jotka saattavat esiintyä tässä tuotteessa. Lue, ymmärrä ja noudata kaikkia laitteen ohjeita ennen kuin yrität koota sen tai käyttää sitä.

	Turvallisuushälytys	Ilmaisee mahdollista henkilövahingon vaaraa
	Lue käyttäjän käsikirja	Käyttäjän tulee ennen käytön aloittamista lukea käyttöopas ja ymmärtää se loukkaantumISRISKIN pienentämiseksi.
	Käytä suojalaseja	Käytä aina suojalaseja tai turvalaseja sivusuojilla ja kokokasvosuojusta, kun käytät tätä tuotetta
	Käytä suojakypärää	Käytä hyväksyttyä suojakypärää suojataksesi pääsi.
	Käytä kuulosuojaimia	Käytä aina kuulosuojaimia, kun käytät laitetta.
	Terän pituus Leikkaus-	Terän pituus
	kapasiteetti	Terän leikkuukapasiteetti enintään
	Pidä kätesi ja jalkasi etäällä leikkuterästä	Älä koskaan yritä käyttää sähkötyökalua yhdellä kädellä. Sähkötyökalun hallinnan menetys johtaa vakavaan henkilövahinkoon tai jopa kuolemaan. Vähennät viiltovammojen vaaraa pitämällä kätesi ja jalkasi etäällä leikkuterästä. Älä koske liikkuvaan terään kädelläsi tai muulla kehon osalla.

	Pidä sivulliset loitolla	Varmista, että muut ihmiset ja lemmikit ovat vähintään 15 metrin päässä varrellisesta pensasleikkurista, kun se on käytössä.
	Älä altista sateelle	Älä käytä sateessa tai jätä ulos sateeseen.
IPX4	IP-symbolit	Suojattu vesiroiskeilta (IP-luokitus 4)
	CE	Tämä tuote vastaa sovellettavia EU-direktiivejä.
	WEEE	Vanhoja sähkölaitteita ei saa hävittää kotitalousjätteen mukana. Vie laite valtuutettuun kierrätyslaitokseen.
	Melu	Taattu äänen tehotaso. Melupäästöt ympäristöön Euroopan yhteisön direktiivin mukaiset.
V	Voltti	Jännite
mm	Millimetri	Pituus tai koko
cm	Senttimetri	Pituus tai koko
kg	Kilogramma	Paino

TÄRKEITÄ TURVAOHJEITA

VAROITUS! Tulipalojen, sähköiskujen ja loukkaantumisten ehkäisemiseksi on sähköisten puutarhatyökalujen käytössä noudatettava aina seuraavia perustavia varoituksia:

LUE KÄYTTÖOHJEET ENNEN KÄYTTÖÄ

SÄILYTÄ MYÖHEMPÄÄ TARVETTA VARTEN

VAARA! Älä käytä konetta sähkölinjojen lähellä. Laite ei ole suunniteltu antamaan suojaa sähköiskua vastaan, jos se joutuu kosketuksiin ilmajohtojen kanssa. Tutustu paikallisiin ilmalinjojen turvaetäisyyksien määräyksiin ja varmista, että työskentelyasentosi on turvallinen ja vakaa ennen kuin aloitat työkalun käyttämisen.

PENSASLEIKKURIN TURVALLISUUSVAROITUKSET

VAARA! Pidä kädet etäällä terästä. Terään koskettaminen aiheuttaa vakavan henkilövahingon.

- **Pidä kaikki kehon osat etäällä leikkurin terästä. Älä poista leikattua materiaalia tai pidä kiinni leikattavasta materiaalista, kun terä liikkuu.** Varmista, että kytkin on pois päältä, kun puhdistat tukkeutumia. Hetkellinenkin huolimattomuus pensasleikkurin käytön aikana voi aiheuttaa vakavan vamman.
- **Koneet, joissa on määrittetty kuljetusasento (leikkuuterä käännettynä pensasleikkurin vartta vasten): Älä koskaan käynnistä konetta kuljetusasennossa,** koska terät eivät ole käytössä siinä asennossa. Tästä syystä et näe pysähtykö terä joutokäynnillä, kun aloitat leikkuuterän säätämisen haluttuun leikkuuasentoon (missä terät toimivat).
- **Kanna pensasleikkuria kahvasta niin, että leikkurin terä on pysähtynyt.** Kun kuljetat pensasleikkuria tai viet sen varastoon, kiinnitä aina leikkuulaitteen suoja paikalleen. Pensasleikkurin oikea käsittely vähentää leikkaavien terien aiheuttamia mahdollisia henkilövahinkoja.
- **Älä tartu paljaisiin leikkuuteriin tai leikkuupintoihin, kun nostat tai pitelet pensasleikkuria.**
- **Kanna sähkötyökalua vain eristetyistä tartuntapinnoista, koska leikkaava terä voi osua piilossa oleviin johtoihin.** Jännitteiseen johtoon osuvat leikkaavat terät voivat tehdä sähkötyökalun näkyvät metalliosat jännitteisiksi ja käyttäjä voi saada niistä sähköiskun.
- **Pidä johto poissa leikkuaalueelta.** Käytön aikana johto voi olla pensaassa piilossa ja terä voi vahingossa leikata johdon.
- **Tarkasta pensasaita vieraiden esineiden, esim. rautalanka-aitojen varalta ennen laitteen käyttöä.**
- **Hallinnan menetyksvaaran välttämiseksi varmista aina, että leikkuuterä ei kosketa itseäsi, muita esteitä tai muita kohteita, mukaan lukien maanpinta. Kun työkalu käynnistetään, moottorin nopeus riittää terän käynnistymiseen.**
- **Älä salli muiden ihmisten olla työskentelyalueella.** Varmista, että muut ihmiset ja lemmikit ovat vähintään 15 metrin päässä varrellisesta pensasleikkurista, kun se on käytössä.
- **Älä koskaan anna lasten käyttää pensasleikkuria.**
- **Pidä pensasleikkurista kiinni molemmiin käsiin. Käyttö yhdellä kädellä voi aiheuttaa hallinnan menettämisen, mistä voi seurata vakava henkilövahinko.**

■ **Älä kurkottele. Säilytä aina tukeva asento ja hyvä tasapaino. Ole erityisen varovainen liukkaissa olosuhteissa (märkä maa, lumi) ja vaikeissa, ylikasvaneissa maastoissa. Varo esteitä, kuten puunkannot, juuret ja ojat, jotta vältät kaatumisen. Ole erittäin varovainen, kun työskentelet rinteissä tai epätasaisessa maastossa.**

■ **Älä käytä ollessasi tikapuilla, ulkokatolla, puussa tai muun epävakaan tuen päällä.** Vakaa asento kiinteällä pinnalla auttaa hallitsemaan pensasleikkuria paremmin odottamattomissa tilanteissa.

■ **Tarkkaile leikkuuteriä koko ajan – älä leikkaa pensasta, jota et näe. Kun leikkaat korkean pensaan latvaa, tarkasta säännöllisesti, ettei pensaan takana ole sivullisia henkilöitä, eläimiä tai esteitä.**

■ Tarkasta vaurioituneet osat ennen kuin jatkat pensasleikkurin käyttöä. Tarkasta, onko liikkuvat osat kohdistettu oikein, esiintyykö niissä takertelua ja näkykö osissa vaurioita, onko ne asennettu oikein ja näkykö niissä muita tekijöitä, jotka voivat vaikuttaa laitteen toimintaan.

■ Tarkasta terän ja moottorin kiinnityspulttien oikea kireys säännöllisin väliajoin. Tarkasta terä silmämääräisesti myös vaurioiden varalta (esim. onko se taipunut, murtunut tai kuunut). Vaihda terä vain EGO™-valmisteseen terään.

■ Vaihda terä, jos se on taipunut tai murtunut. Tasapainottomaton terä aiheuttaa tärinää, joka voi vahingoittaa moottorin käyttökykyä tai aiheuttaa henkilövahingon.

■ Jos laite alkaa tärinästä poikkeavasti, pysäytä moottori ja tarkasta välittömästi syy. Tärinä on yleensä merkki häiriöistä.

■ Leikkuria käytetään leikattaessa alle 26 mm paksuja oksia.

■ Käytä leikkuria vain päivänvalossa tai hyvässä keinovalossa.

■ Älä käytä akkukäyttöistä pensasleikkuria sateella.

LISÄVAROITUKSIA

■ **Älä lataa akkua sateessa tai märissä olosuhteissa. Käytä vain kuvassa A lueteltujen akkujen ja latureiden kanssa.**

■ Akku tulee poistaa laitteesta ennen laitteen hävittämistä.

■ Akku tulee hävittää turvallisesti.

■ **Älä hävitä akkua polttamalla.** Kennot saattavat räjähtää. Tarkasta paikallisten määräysten hävittämistä koskevat erikoisohjeet.

■ **Älä avaa tai yritä vääntää akkua.** Vuotanut akkuneste on syövyttävää ja voi vahingoittaa silmiä tai ihoa. Voi olla myrkyllistä nieltynä.

▲ **HUOMIO!** Akkuneste on laimennettua rikkihappoa, joka on haitallista iholle ja silmille. Se on sähköä johtavaa ja syövyttävää.

Ole varovainen akkujen käsittelyssä, jotta akku ei mene oikosulkuun sähköä johtavien materiaalien, kuten sormusten, rannekorujen ja avaimien, takia. Akku tai liitin voi ylikuumentua ja aiheuttaa palovammoja.

■ **Akkutyökaluja ei tarvitse liittää sähköverkkoon.**

Tästä syystä ne ovat aina käyttökunnossa. Huomioi mahdolliset vaarat myös silloin, kun työkalu ei ole käynnissä. Ole varovainen tehdessäsi kunnossapito- tai huoltotoimenpiteitä.

■ **Poista akku työkalusta, kun teet huolto- tai puhdistustoimenpiteitä tai irrotat materiaalia työkalusta.**

■ **Varaosat** – Käytä huollon yhteydessä vain identtisiä EGO-varaosia. Muiden lisävarusteiden tai lisäosien käyttö saattaa aiheuttaa tapaturmavaaran.

■ **Huollata sähkötyökalusi asiantuntevalla korjaajalla, joka käyttää vain identtisiä varaosia.** Näin taataan sähkötyökalun turvallisuuden säilyminen.

■ **Älä puhdistu letkulla; vältä veden pääsemistä moottoriin ja sähköliitäntöihin.**

■ **Säilytä työkalu kuivassa paikassa ja korkealla tai lukitussa paikassa poissa lasten ulottuvilta.**

■ **Jos kohtaat tilanteen, jota ei tässä käyttöoppaassa käsitellä, toimi varoen ja käytä omaa harkintakykyäsi. Pyydä lisäohjeita EGO-huoltokeskuksesta.**

■ **Säilytä nämä ohjeet.** Tarkasta ohjeet usein ja käytä niitä ohjeistamaan muita, jotka saattavat käyttää tätä laitetta. Jos lainaat tämän laitteen jollekulle muulle, lainaa samalla myös nämä ohjeet laitteen väärinkäytön ja mahdollisten tapaturmien välttämiseksi.

SÄILYTÄ NÄMÄ OHJEET

HUOMIOI: KATSO AKKUPÄÄN KÄYTTÖOPPAASTA LISÄÄ ERITYISIÄ TURVALLISUUSOHJEITA.

TEKNISET TIEDOT

Terän pituus	51 cm	
Leikkuukapasiteetti	26 mm	
Paino (ilman akkua)	2,20 kg	
Suosittelun käyttölämpötila	0°C-40°C	
Suosittelun säilytyslämpötila	-20°C-70°C	
Mitattu äänen tehotaso L_{WA}	92,3 dB(A) K=2,72 dB(A)	
Äänenpaineen taso käyttäjän korvien tasolla L_{PA}	80,4 dB(A) K=3 dB(A)	
Taattu äänen tehotaso L_{WA} (2000/14/EC:n mukaisesti)	95 dB(A)	
Väriä a_n	Etuapukahva	4,9 m/s ² K=1,5 m/s ²
	Takakahva	6,7 m/s ² K=1,5 m/s ²

- Edellä esitetyt parametrit on testattu ja mitattu akkupäähän PH1400E kanssa.
- Ilmoitettu värinän kokonaisarvo on mitattu standardikoimenetelmän mukaan ja sitä voidaan käyttää verrattaessa työkaluja keskenään.
- Ilmoitettua värinän kokonaisarvoa voidaan myös käyttää altistumisen ennakkoarvioinnissa.

HUOMAA: Sähkötyökalun todellisen käytön aikana ilmenevä värinä voi erota työkalun käytölle ilmoitetusta arvosta. Käyttäjän suojelemiseksi on todellisissa käyttöolosuhteissa käytettävä käsineitä ja kuulosuojaimia.

PAKKAUSLUETTELO

OSAN NIMI	MÄÄRÄ
Varrellinen pensasleikkurilisäosa	1
Avain	1
Teränsuojus	1
Käyttäjän käsikirja	1

KUVAUS

OPETTELE TUNTEMAAN VARRELLINEN PENSASLEIKKURILISÄOSA (kuva A)

- Leikkuuterä
- Hammaspyörä
- Liipaisin
- Varrellisen pensasleikkurin varsi
- Pehmeä holkki
- Päätytulppa
- Säätövipu
- Vaihteistokotelo
- Avain
- Teränsuojus
- Kärjen suojus (lisävaruste, MYYDÄÄN ERIKSEEN)

KOKOAMINEN

VAROITUS: Jos jokin osa on vahingoittunut tai puuttuu, älä käytä tuotetta ennen kuin osat on vaihdettu. Tuotteen käyttö voittuneilla tai puuttuvilla osilla voi aiheuttaa vakavan henkilövahingon.

VAROITUS: Älä yritä muuttaa tätä tuotetta tai käyttää siinä lisävarusteita, joita ei ole suunniteltu käytettäväksi tämän varsisahan kanssa. Kaikenlainen muuttaminen tai muuntelu on vääriinkäyttöä, ja voi aiheuttaa vaaratilanteen, joka voi johtaa vakaviin henkilövahinkoihin.

VAROITUS: Älä koskaan kiinnitä tai säädä mitään lisäosaa, kun akkupäähän on käynnissä, tai kun akku on asennettuna. Moottorin sammuttamatta jättäminen ja akun poistamatta jättäminen voivat aiheuttaa vakavan henkilövahingon.

LEIKKUUTERÄN SÄÄTTÄMINEN

Kun varrellinen pensasleikkuri puretaan pakkauksesta, se on säilytysasennossa leikkuuterä käännettynä vartta vasten (kuva B). Suosittelemme säätämään leikkuuterän sopivaan työskentelyasentoon ennen sen kiinnittämistä akkupäähän.

Valittavana on 12 mahdollista työasentoa. Leikkuuterän kulmaa voi säätää ylöspäin 5 asentoa kulmasta 0° (suora) kulmaan 45°, sisältää 0°, ja alaspäin 7 asentoa kulmasta 0° kulmaan 90° (suora kulma alaspäin) (kuva C), ei sisältä 0°.

- Paina säätövipun liipaisinta ja käännä samalla säätövipua säätääksesi leikkuuterän haluamaasi leikkuuasentoon (kuva D).

2. Kun haluttu asento on saavutettu, vapauta liipaisin. Kuuluva napsahdus ilmaisee, että lukitustappi on kiinnittynyt hammaspyörään oikealle paikalle (kuva D).

Kuva D osien kuvaus alla:

D-1	Hammaspyörä
D-2	Lukitustappi

VAROITUS: Tee säätö vain, kun leikkuuterä ei liiku, jotta välttät loukkaantumisvaaran. Älä koskaan koske teriin säätöjen aikana.

VAROITUS: Pysäytä työkalu ja kiinnitä teränsuojus aina ennen kuin siirrät leikkuuterän säilytysasentoon tai siirrät sen säilytysasennosta työskentelyasentoon. Näin pienennät loukkaantumisvaaraa.

VARRELLISEN PENSASLEIKKURILISÄOSAN KIINNITTÄMINEN AKKUPÄÄHÄN

Tämä varrellinen pensasleikkurilisiäosa on suunniteltu käytettäväksi EGO 56 V LITIUMIONI-akkupään PH1400E kanssa. Varrellisen pensasleikkurin varressa on liitäntä akkupäähän sekä varren päällä että varren sivussa (kuva E). Lisätietoa työskentelytekniikoista löytyy tämän käyttöoppaan kohdasta "TYÖSKENTELYTEKNIIKAT".

Kuva E osien kuvaus alla:

E-1	Päätä leikkuun asento
E-2	Sivusta leikkuun asento

Katso varrellisen pensasleikkurin kiinnittäminen akkupäähän akkupään PH1400E käyttöoppaasta kohdasta "LISÄOSAN ASENTAMINEN AKKUPÄÄHÄN".

Katso varrellisen pensasleikkurin poistaminen akkupästä akkupään PH1400E käyttöoppaasta kohdasta "LISÄOSAN POISTAMINEN AKKUPÄÄSTÄ".

KÄRJEN SUOJUKSEN ASENTAMINEN (lisävaruste)

1. Käytä kuusiokoloavainta ja irrota lyhyt pultti, aluslevy, holkki ja mutteri leikkuuterän päästä (kuva F). Pidä aluslevy, holkki ja mutteri tallessa uudelleen asentamista varten.

Kuva F osien kuvaus alla:

F-1	Mutteri	F-3	Aluslevy
F-2	Holkki	F-4	Lyhyt pultti

2. Kohdistä kärjen suojus leikkuuterän ulokkeeseen ja asenna se paikalleen. Kiinnitä se uudella pitkällä pultilla ja mutterilla sekä tallessa olevilla aluslevyllä, holkillla ja mutterilla (kuva G).

G-1	Mutteri	G-4	Holkki
G-2	Kärjen suojus	G-5	Aluslevy
G-3	Mutteri	G-6	Pitkä pultti

KÄYTTÖ

VAROITUS: Älä koskaan työskentele lähellä sähkölinjoja, sähköjohtoja tai muita sähkövirran lähteitä. Jos leikkuuterät jäävät kiinni sähköjohtoon tai sähkölinjaan, **ÄLÄ KOSKE LEIKKUUTERÄÄN TAI ALUMIINIVARTEEN! NE VOIVAT OLLA JÄNNITTEELLISIÄ JA ERITTÄIN VAARALLISIA.** Pidä edelleen varrellisen pensasleikkurin eristetystä takakahvasta kiinni tai laske kone maahan ja kauas itsestäsi turvallisesti. Irrota vahingoittunut johto tai kaapeli sähköverkosta ennen kuin yrität irrottaa leikkuuterän sähkölinjasta tai johdosta. Leikkuuterään, muihin varrellisen pensasleikkurin sähköä johtaviin osiin, jännitteellisiin sähköjohtoihin tai sähkölinjoihin koskeminen aiheuttaa tappavan sähköiskun tai vakavan henkilövahingon.

VAROITUS: Älä anna perehtyneisyyden tuotteeseen saada sinua huolimattomaksi. Muista, että sekunnin murto-osa huolimattomuutta riittää aikaansaamaan vakavan henkilövahingon.

VAROITUS: Käytä aina suojalaseja sivusuojilla. Muussa tapauksessa silmiin voi lentää roskia ja muita mahdollisia vakavia vahinkoja tapahtua.

Ennen jokaista käyttökertaa tarkista laite kokonaisuudessaan vahingoittuneiden, puuttuvien tai löystyneiden osien varalta, kuten ruuvit, mutterit, pultit, kannet jne. Kiinnitä kaikki kiinnittimet ja kannet tiukasti, äläkä käytä laitetta ennen kuin kaikki puuttuvat tai vahingoittuneet osat on vaihdettu.

VAROITUS: Vakavan henkilövamman välttämiseksi poista akku työkalusta ennen kuin huollat tai puhdistat sitä tai vaihdat siihen varusteita tai poistat materiaalia laitteesta.

Puhdista työkalu jokaisen käyttökerran jälkeen.

Katso Huolto-kohdasta puhdistamisohjeet.

KÄYTTÄMINEN

Voit käyttää tätä tuotetta pensasaitojen, pensaiden ja pensaikojen, joiden oksan halkaisija on alle 26 mm, leikkaamiseen.

HUOMAA: Laitetta tulee käyttää vain sille tarkoitettuun tarkoitukseen. Kaikki muu käyttö katsotaan väärinkäytöksi.

VARRELLISEN PENSASLEIKKURIN KÄYTTÄMINEN AKKUPÄÄN KANSSA

VAROITUS: Pukeudu asianmukaisesti, niin pienennät loukkaantumisvaaraa tätä laitetta käyttäessäsi. Älä käytä väljiä vaatteita tai koruja. Käytä suojalaseja ja korvatulppia/kuulosuojaimia. Käytä paksuja, pitkälahkeisia housuja, kunnollisia jalkineita ja suojakäsineitä. Älä käytä lyhytlahkeisia housuja, sandaaleita tai ole paljain jaloin.

LEIKKUUN VALMISTELU:

1. Säädä leikkuuterä haluamaasi työskentelyasentoon.
2. Poista teränsuojus leikkuuterästä.
3. Käytön turvallisuuden ja sujuvuuden takia laita olkahihna olan yli. Säädä olkahihnaa, kunnes käyttöasento on mukava. Katso olkahihnan kiinnittäminen akkupäähän PH1400E:n käyttöoppaan kohdasta ”OLKAHIHMAN ASENTAMINEN”.

VAROITUS: Olkahihna on myös nopea vapautusmekanismi vaaratilanteissa. Kun on hätätilanne, ota laite olaltasi välittömästi riippumatta hinnan asennosta.

TYÖSKENTELYTEKNIIKAT

- **Vaakasuojaan leikkaus (leikkuuterä kulma-asetuksessa):** Leikkaaminen seisten lähellä maata, esim. matalat pensaat.

Liikuta leikkuuterää vaakasuojaan, kun siirryt pensasaitaa eteenpäin. Käytä leikkuuterän molempia reunoja, älä anna leikkuuterän osua maahan (kuva H).

- **Vaakaasuora leikkaus (suoralla leikkuuterällä):**

Aseta leikkuuterä 0–10 asteen kulmaan, kun liikutat varrellista pensasleikkuria vaakasuojaan. Liikuta leikkuuterää kaaressa pensasaidan reunoille päin, jotta katkenneet oksat putoavat maahan (kuvat I, J ja K).

Suositus: leikkaa tässä työskentelyasennossa korkeintaan rinnan korkeudelle ulottuvia pensasaitoja.

- **Pystysuojaan leikkaus (leikkuuterä kulmassa):** Pensasaidan leikkaaminen kauempaa, esim. jos aidan edessä on kukkapenkki.

Tässä leikkuuasennossa varrellisen pensasleikkurin hallinta on helpompaa, jos yhdistät pensasleikkurin akkupäähän sivussa olevaan liitännän kautta (katso kuva E).

Liikuta leikkuuterää kaaressa ylös ja alas, kun siirryt pensasaitaa eteenpäin. Käytä leikkuuterän molempia reunoja (kuva L).

- **Pystysuojaan leikkaus (suoralla leikkuuterällä):** Erittäin pitkä ulottuma ilman muita apuvälineitä.

Liikuta leikkuuterää kaaressa ylös ja alas, kun siirryt pensasaitaa eteenpäin. Käytä leikkuuterän molempia reunoja (kuva M).

- **Yläpuolelta leikkaus (leikkuuterä kulmassa)**

Pidä pensasleikkuria pystysuorassa asennossa ja liikuta sitä kaaressa, jolloin sen ulottuvuus on suurin (kuva N). Jatkovarsi on sopiva apuväline, jos pensasaita on hyvin korkea.

VAROITUS: Kaikki leikkuuasennot pään yläpuolelta leikatessa ovat raskaita. Leikkaa turvallisuutesi takia tällä tavoin vain vähän aikaa kerrallaan. Aseta säädettävä terä niin suureen kulmaan kuin mahdollista, jolloin työkalua voi pitää alempana, vähemmän rasittavassa asennossa (olkahihnalla) ulottuvuuden ollessa kuitenkin riittävä.

TYÖKALUN KÄYNNISTÄMINEN/SAMMUTTAMINEN

Katso akkupään PH1400E käyttöoppaasta kohta ”AKKUPÄÄN KÄYNNISTÄMINEN/SAMMUTTAMINEN”.

HUOLTO

VAROITUS: Pysäytä moottori, odota kaikkien liikkuvien osien pysähtymistä ja poista akku ennen laitteen tarkastamista, puhdistamista tai huoltamista. Näiden ohjeiden noudattamatta jättäminen saattaa johtaa vakavaan henkilövahinkoon tai omaisuusvahinkoon.

VAROITUS: Käytä huollon yhteydessä vain identtisiä varaosia. Muiden osien käyttö voi aiheuttaa vaaran tai tuotteen vaurioitumisen. Pätevän huoltoteknikon tulee suorittaa kaikki korjaukset, jotta voidaan taata tuotteen turvallinen ja luotettava käyttö.

YLEINEN KUNNOSSAPITO

Vältä liuotinaineiden käyttöä, kun puhdistat muoviosia. Useimmat muovit ovat herkkiä vaurioitumaan erilaisista kaupallisista liuottimista. Poista lika, pöly, öljy, rasva jne. puhtaalla liinalla.

LAITTEEN PUHDISTAMINEN

- Poista pehmeällä harjalla lika kaikista ilmanottoaukoista ja leikkuuterästä.
- Poista pihka ja muut tahmeat jätteet suihkuttamalla teriin pihkaa liuottavaa ainetta. Käynnistä moottori hetkeksi siten, että liuotin jakautuu tasaisesti.
- Älä käytä voimakkaita puhdistusaineita muoviseen kuoreen tai kahvaan. Ne saattavat vahingoittaa tietyistä aromaattisista öljyistä (esim. männyn ja sitruunan öljyistä) ja liuottimista (esim. kerosiiniä). Kosteus voi myös aiheuttaa sähköiskun vaaran. Pyyhi kosteus pois pehmeällä ja kuivalla liinalla. Älä koskaan käytä vettä työkalun puhdistamiseen.

LEIKKUUTERÄN TEROITTAMINEN

Kun leikkausteho ja toiminta heikentyvät, ts. oksat juuttuvat terään jatkuvasti: teroita leikkuuterät.

On suositeltavaa antaa ammattitaitoisen huoltoteknikon teroittaa leikkuuterät.

FI

HUOMAUTUS: Älä käytä pensasleikkuria tylsällä tai vahingoittuneella terällä. Tämä voi aiheuttaa laitteen ylikuormittumisen ja huonon leikkausajajen.

TERÄN VOITELU

On suositeltavaa voidella terät ruosteenestoöljyllä ruostumisen välttämiseksi, jos niitä pidetään varastossa pitkään.

VAROITUS: Terät ovat teräviä. Kun käsittelet teräjärjestelmää, käytä liukumisen estäviä, kestäviä suojakäsineitä. Älä laita kättä tai sormia terien väliin tai muuhun paikkaan, jossa ne voivat jäädä puristuksiin tai leikkautua. Älä KOSKAAN kosketa teriä tai huolla laitetta, kun akkuyksikkö on asennettuna.

VAIHDEPYÖRÄN VOITELU

Vaihdekotelossa oleva vaihdepyörä tulee voidella säännöllisesti vaihderasvalla. Tarkasta vaihdekotelon rasvan taso 50 käyttötunnin välein irrottamalla vaihdekotelon tiivistysruuvi. Kotelossa on kolme tiivistysruuvia, yksi sivussa ja kaksi päällä.

Jos vaihteen sivuilla ei näy rasvaa, lisää vaihderasvaa enintään 3/4 kapasiteetista seuraavien ohjeiden mukaisesti.

Älä täytä vaihdepyörää kokonaan rasvalla.

1. Pidä varrellinen pensasleikkuri kyljellään tai aseta se makaamaan irrotettavasta ruuvista riippuen. Irrotettavan ruuvin tulee olla ylöspäin (kuvat O ja P).
2. Löysää tiivistysruuvia mukana toimitetulla avaimella ja irrota tiivistysruuvi.
3. Käytä rasvaruiskua (ei mukana) ja ruiskuta jonkin verran rasvaa ruuvin reikään; älä ylitä 3/4 kapasiteetista.
4. Kiristä tiivistysruuvi ruiskutuksen jälkeen.

LAITTEEN VARASTOINTI

- Irrota akku työkalusta.
- Puhdista työkalu perusteellisesti ennen varastoon laittamista.
- Aseta teränsuojus aina terään ennen pensasleikkurin varastointia tai kuljetusta. Varo terän teräviä hampaita.
- Jos pensasleikkurilisäosa poistetaan akkupäästä ja säilytetään erikseen, kiinnitä päätytulppa lisäosan varteen, jotta lika ei pääse liitoskappaleeseen.
- Säilytä laite kuivassa, hyvin ilmastoidussa, lukitussa paikassa tai korkealla, poissa lasten ulottuvilta Älä säilytä laitetta lannoitteiden, bensiinin tai muiden kemikaalien päällä tai vieressä.

Ympäristönsuojelu



Älä hävitä sähkölaitteita, akun latauslaitteita ja akkuja/ladattavia akkuja kotitalousjätteen mukana!

Euroopan parlamentin ja neuvoston direktiivin 2012/19/EU mukaan sähkö- ja elektroniikkalaitteet, jotka eivät ole enää käyttökelpoisia, ja Euroopan parlamentin ja neuvoston direktiivin 2006/66/EY mukaan vialliset tai käytetyt akkuyksiköt/ akut täytyy kerätä erikseen

Jos sähkölaitteet hävitetään viemällä kaatopaikoille tai roskaläjiin, vaarallisia aineita voi vuotaa pohjaveteen ja päästä ravintoketjuun ja vahingoittaa täten ihmisten terveyttä ja hyvinvointia.

VIANETSINTÄ

ONGELMA	SYY	RATKAISU
Varrellinen pensasleikkuri ei toimi.	<ul style="list-style-type: none"> ■ Akkua ei ole liitetty varrelliseen pensasleikkuriin. ■ Pensasleikkurin ja akun välillä ei ole sähkökontaktia. ■ Akkuyksikkö on tyhjä. ■ Käynnistuspainiketta ei ole painettu alas ennen liipaisinkytkimen painamista. ■ Akku tai akkupää on ylikuumentunut. ■ Terä on juuttunut kiinni. ■ Varrellista pensasleikkuria ei ole yhdistetty kunnolla akkupäähän. 	<ul style="list-style-type: none"> ■ Yhdistä akku varrelliseen pensasleikkuriin. ■ Irrota akku, tarkasta koskettimet ja asenna akkuyksikkö takaisin. ■ Lataa akkuyksikkö. ■ Paina lukituksenpoistokytkin alas ja pidä sitä painettuna, käynnistä työkalu sen jälkeen painamalla liipaisinta. ■ Anna akun tai akkupään jäähtyä, kunnes lämpötila laskee alle 67 °C. ■ Irrota akku työkalusta. Irrota tukos varovasti, aseta sitten akku takaisin ja käynnistä työkalu uudelleen. ■ Irrota varrellinen pensasleikkuri akkupäästä. Yhdistä ne noudattaen PH1400E:n käyttöoppaan kohta "LISÄOSAN ASENTAMINEN AKKUPÄÄHÄN".
Liiallinen täriä tai melu.	<ul style="list-style-type: none"> ■ Kuivat tai syöpyneet terät. ■ Terät ovat taipuneet tai terätuki on taipunut. ■ Taipuneet tai vaurioituneet hampaat. ■ Löystyneet terän pultit. 	<ul style="list-style-type: none"> ■ Voitele terät. ■ Vaihda uusi terä tai tuki. Ota yhteys EGO-huoltokeskukseen terän tai tuen vaihtamiseksi. ■ Vaihda uusi terä tai tuki. Ota yhteys EGO-huoltokeskukseen terän tai tuen vaihtamiseksi. ■ Kiristä terän pultit. Käytä:n avainta, (ei mukana), kiristä kääntämällä pulttia myötäpäivään.

FI

TAKUU

EGO-TAKUUKÄYTTÖ

Katso verkkosivuilta osoitteesta egopowerplus.com EGO-takuukäytännön ehdot ja edellytykset kokonaisuudessaan.

LES ALLE INSTRUKSJONER!



LES BRUKSANVISNINGEN

⚠ Restrisiko! Personer med elektroniske enheter, for eksempel pacemakere, må rådføre seg med lege før de bruker dette produktet. Drift av elektrisk utstyr i umiddelbar nærhet av en pacemaker kan føre til at pacemakeren forstyrres eller svikter.

⚠ ADVARSEL: For sikre både sikkerheten og påliteligheten, skal alle reparasjoner utføres av en kvalifisert servicetekniker.

SIKKERHETSSYMBOLER

Formålet med sikkerhetssymbolene er å trekke oppmerksomheten din mot mulige faresituasjoner. Sikkerhetssymbolene og forklaringene krever din fulle oppmerksomhet og forståelse. Symbolvarslene eliminerer ikke faren på egen hånd. Instruksjonene og advarslene som finnes i dem er ikke erstatninger for passende ulykkesforebyggende tiltak.

⚠ ADVARSEL: Sørg for å lese og forstå alle sikkerhetsanvisningene i denne bruksanvisningen, inkludert alle sikkerhetsvarselssymboler så som «**FARE**», «**ADVARSEL**» og «**FORSIKTIG**» før du bruker dette verktøyet. Hvis du ikke følger alle instruksjonene nedenfor, kan det føre til elektriske støt, brann og/eller alvorlig personskade.

SYMBOLFORKLARINGER

⚠ SIKKERHETSSYMBOL: Indikerer **FARE**, **ADVARSEL** eller **FORSIKTIG**. Kan brukes sammen med andre symboler eller piktogrammer.



⚠ ADVARSEL: Bruk av hvilke som helst elektroverktøy kan føre til at fremmedlegemer blir kastet mot øynene, og dette kan føre til alvorlig øyeskader. Før du begynner å bruke elektroverktøyet, skal du alltid bruke vernebriller eller vernebriller med sidebeskyttelse, og en full ansiktsskjerm der det trengs. Vi anbefaler en Wide Vision Safety Mask til bruk over briller, eller standard vernebriller med sidebeskyttelse.

SIKKERHETSINSTRUKSJONER

Denne siden viser og beskriver sikkerhetssymboler som finnes på produktet. Les, forstå og følg alle instruksjoner på maskinen før begynner montering og bruk.

	Sikkerhetsvarsel	Angir en fare for mulig personskade.
	Les bruksanvisningen	For å redusere risikoen for skader må brukeren lese og forstå håndboken og sikkerhetsinformasjonen før verktøyet tas i bruk.
	Bruk vernebriller	Bruk alltid vernebriller eller vernebriller med sidebeskyttelse, og full ansiktsskjerm når du bruker dette produktet.
	Bruk hodevern	Bruk en godkjent vernehjelm for å beskytte hodet.
	Bruk hørselsvern	Bruk alltid hørselsvern når du bruker dette produktet.
	Lengde på skjæreblad	Lengden på skjærebladet
	Klippekapasitet	Bladets maksimale skjærekapasitet
	Hold hender og føtter unna skjæreverktøyet	Du må aldri betjene elektroverktøyet bare med én hånd. Hvis du ikke har kontroll på verktøyet, kan det føre til alvorlige skader eller dødsulykke. For å redusere risikoen for skader må du holde hender og føtter unna skjæreverktøyet. Mens verktøyet er i bevegelse, må du unngå å ta på det eller komme borti det med andre deler av kroppen.

	Hold tilskuere på avstand	Sørg for at andre mennesker og kjæledyr er minst 15 m unna hekktrimmeren når den er i bruk.
	Må ikke utsettes for regn	Skal ikke brukes i regn eller legges igjen utendørs mens det regner.
IPX4	IP-symbol	Beskyttelse mot inntrengning av vann, grad 4
	CE	Dette produktet er utformet i tråd med gjeldende EC-direktiver.
	WEEE	Elektrisk avfall må ikke kastes sammen med vanlig husholdningsavfall. Det må avleveres på en godkjent gjenvinningsstasjon.
	Støy	Garantert lydeffektnivå. Støy i omgivelsene er i henhold til EUs direktiv.
V	Volt	Spenning
mm	Millimeter	Lengde eller størrelse
cm	Centimeter	Lengde eller størrelse
kg	Kilogram	Vekt

VIKTIGE SIKKERHETSINSTRUKSER

⚠ ADVARSEL: Når du bruker elektriske apparater, er det alltid viktig å følge grunnleggende sikkerhetsregler for å redusere risiko for brann, elektrisk støt og personskade, blant annet:

LES NØYE FØR BRUK

OPPBEVARES FOR SENERE REFERANSE VED BEHOV

⚠ FARE! Må ikke brukes i nærheten av elektriske kraftlinjer. Apparatet er ikke utformet for å gi beskyttelse mot elektrisk støt dersom det kommer i kontakt med ledningsstrek. Sjekk lokale regler for sikkerhetsavstander til ledninger over bakken, og pass på at den operative posisjonen er god før du betjener apparatet.

SIKKERHETSADVARSLER FOR HEKKTRIMMER

⚠ FARE! Hold hendene unna skjærebladet. Kontakt med skjærebladet kan føre til alvorlige personskader.

- Hold alle deler av kroppen på avstand fra skjærebladet. Ikke fjern avkuttet vegetasjon eller hold i det som skal klippes mens skjærebladen er i bevegelse. Pass på at bryteren er av når du fjerner materiale som har satt seg fast. Et øyeblikks uoppmerksomhet ved bruk av hekktrimmer kan føre til alvorlige personskader.
- På maskiner med egen transportstilling (på hekktrimmeren er bladet foldet inn mot stangen): Maskinen må aldri startes i transportstilling da skjærebladene ikke kommer i inngrep i denne posisjonen. Du vil derfor ikke kunne se om de stopper når de går på tomgang og du skal sette bladet i den stillingen du vil ha det (for at bladet skal kunne brukes).
- Bær hekktrimmeren i håndtaket når skjærebladet har stanset. Når du frakter eller setter bort hekktrimmeren til oppbevaring, skal du alltid sette dekslet på verktøyet. Hvis du håndterer hekktrimmeren på riktig måte, vil dette redusere risikoen for personskade.
- Unngå å ta tak i den synlige delen av skjærebladene eller eggen når du tar opp eller holder hekktrimmeren.
- Hold elektroverktøyet bare på de isolerte gripeflatene, da skjærebladet kan komme i kontakt med skjulte ledninger. Hvis skjæreblad kommer i kontakt med en "levende" kabel, kan det gjøre eksponerte metalldele på verktøyet "levende" og føre til elektrisk sjokk for brukeren.
- Hold ledningen unna skjæreområdet. Under bruk kan ledningen skjule seg i buskas og vegetasjon og kan ved et uhell bli klippet over.
- Sjekk om det er fremmedelementer i hekken før du begynner å klippe, f.eks. nettinggjerde.
- For å redusere risikoen for skader på grunn av manglende kontroll, må du være absolutt sikker på at skjærebladet holdes på avstand fra deg og alle andre hindringer og gjenstander, også bakken. Når motoren starter, vil nemlig motorhastigheten være så høy at skjærebladet kan sette seg fast eller falle av.
- Andre personer må ikke oppholde seg i arbeidsområdet. Sørg for at andre mennesker og kjæledyr er minst 15 m unna hekktrimmeren når den er i bruk.
- Barn må ikke bruke hekktrimmeren uten tilsyn.

NO

- **Hold hekktrimmeren med begge hender når du betjener den. Hvis du bare bruker én hånd, kan du miste kontrollen og påføre deg selv alvorlige skader.**
- **Ikke strekk deg for langt. Pass på å ha skikkelig fotfeste og balanse til enhver tid. Vær spesielt forsiktig under glatte forhold (vått underlag, snø) og i vanskelige, overgrodde omgivelser. Vær på utkikk etter skjulte hindringer som trestumper og røtter og grøfter eller groper. Vær svært forsiktig når du arbeider i bakker eller på ujevnt underlag.**
- **Må ikke brukes på stiger, på tak, i trær eller på andre ustabile flater.** Har du godt fotfeste på et stabilt underlag, får du bedre kontroll med hekktrimmeren i uventede situasjoner.
- **Hold hele tiden øye med skjærebladet – unngå å klippe i områder av hekken som du ikke kan se. Når du skjærer toppen av en høy hekk, må du hyppig sjekke om det befinner seg tilskuere, dyr eller hindringer på den andre siden.**
- Kontroller om noen deler er ødelagte før du fortsetter å bruke hekktrimmeren. Se etter feiljusteringer eller bevegelige deler som har hengt seg opp, brutte deler, feilmontering og eventuelle andre ting som kan påvirke klipperens funksjon.
- Kontroller skjærebladet og skruene på motoren med jevne mellomrom for å se om de er skrudd godt til. Du bør også etterse bladet for skader (f.eks. om det er bøyd, sprukket eller slitt). Skjærebladet må bare byttes ut med et blad fra EGO™.
- Bytt skjærebladet hvis det er bøyd eller sprukket. Et ubalansert blad kan gi vibrasjoner som kan skade motorenheten eller forårsake personskader.
- Hvis utstyret begynner å vibrere unormalt mye, må du stoppe motoren og finne årsaken umiddelbart. Vibrasjoner er gjerne et tegn på at noe er galt.
- Hekktrimmeren kan brukes til å kutte grener som er mindre enn 26 mm i diameter.
- Trimming skal bare gjøres i dagslys eller med god kunstig belysning.
- Ikke bruk den batteridrevne hekktrimmeren i regn.

YTTERLIGERE ADVARSLER

- **Batteripakken må aldri lades i regn eller under fuktige forhold.**
Bruk kun med batteripakker og ladere som oppført i fig. A

- Batteripakken må tas ut av apparatet før kassering.
- Batteriet må avhendes på forsvarlig måte.
- **Batteriet må ikke kastes på bålet.** Cellene kan eksplodere. Sjekk lokale lover og forskrifter om håndtering av farlig avfall.
- **Batteriet må ikke åpnes eller plukkes fra hverandre.** Elektrolytt som renner ut, er etsende og kan forårsake skader på øyne og hud. Den kan være giftig å svelge.

⚠ OBS! Elektrolytten er en svovelsyreoppløsning som er skadelig for hud og øyne. Den er strømførende og etsende.

- **Vær forsiktig når du håndterer batterier så de ikke kortsletter på grunn av strømførende materiale som ringer, armbånd og nøkler.** Batteriet eller lederen kan bli overopphetet og forårsake brannskår.
- **Siden batteriverktøy ikke trenger å plugges i en stikkontakt, er de alltid operative.** Vær obs på mulige farer også når verktøyet ikke er i gang. Vær forsiktig når du utfører vedlikehold eller service.
- **Ta ut batteripakken før service, rengjøring eller når du fjerner fremmedlegemer fra verktøyet.**
 - **Reservedeler** – Når verktøyet trenger service, må bare identiske reservedeler benyttes. Bruk av andre typer tilbehør kan øke risikoen for skade.
- **Elektroverktøyet må repareres av et kvalifisert serviceverksted som kun bruker identiske reservedeler.** Dette gjør at sikkerheten til elektroverktøyet opprettholdes.
- **Må ikke vaskes med slange; unngå å få vann i motoren og i elektriske koblinger.**
- **Når verktøyet ikke er i bruk, skal det oppbevares innendørs på et tørt, høyt og avlåst sted, utilgjengelig for barn.**
- **Hvis situasjoner oppstår som ikke er dekket i denne håndboken, må du utvise forsiktighet og god dømmekraft. Kontakt EGOs servicesenter for hjelp.**
- **Ta vare på disse instruksjonene.** Slå gjerne opp i dem, og bruk dem som veiledning for andre som vil bruke verktøyet. Hvis du låner ut verktøyet til andre, må også de få tilgang til denne brukerveiledningen slik at feilbruk av produktet og eventuelle påfølgende skader kan unngås.

TA VARE PÅ DISSE INSTRUKSJONENE

MERK: SE HÅNDBOKEN TIL VERKTØYHODET FOR ANDRE OG MER SPESIFIKKE REGLER OM SIKKERHET.

SPESIFIKASJONER

Lengde på skjæreblad	51 cm	
Klippekapasitet	26 mm	
Vekt (uten batteripakke)	2,20 kg	
Anbefalt driftstemperatur	0°C-40°C	
Anbefalt lagringstemperatur	-20°C-70°C	
Målt lydeffektnivå L_{WA}	92,3 dB(A) K=2,72 dB(A)	
Lydtrykknivå ved brukerens øre L_{PA}	80,4 dB(A) K=3 dB(A)	
Garantert lydeffektnivå L_{WA} (i henhold til 2000/14/EC)	95 dB(A)	
Vibrasjon a_h	Fremre hjelpehåndtak	4,9 m/s ² K=1,5 m/s ²
	Bakre håndtak	6,7 m/s ² K=1,5 m/s ²

- Parametrene over er testet og målt sammen med verktøyhodet PH1400E.
- Den deklarerte totale vibrasjonsverdien er målt i overensstemmelse med en standard testmetode, og kan brukes til å sammenligne ett verktøy med et annet;
- Den deklarerte totale vibrasjonsverdien kan også brukes i en foreløpig vurdering av eksponering.

MERK: Vibrasjoner under faktisk bruk av elektroverktøyet kan variere fra den opplyste verdien der verktøyet brukes; For å beskytte brukeren, skal det brukes hansker og hørselsvern under de faktiske bruksforholdene.

PAKKELISTE

NAVN PÅ DEL	MENGDE
Hekktrimmer	1
Unbraconøkkel	1
Slire til skjæreblad	1
Bruksanvisning	1

BESKRIVELSE

BLI KJENT MED HEKKTRIMMEREN (Fig. A)

1. Skjæreblad
2. Kvadrant
3. Utløser
4. Stang
5. Myk hylse
6. Endekapsel
7. Reguleringsspake
8. Girkasse
9. Unbraconøkkel
10. Slire til skjæreblad
11. Tuppbeskytter (valgfritt, SELGES SEPARAT)

MONTERING

⚠ ADVARSEL: Hvis noen av delene er skadet eller mangler, må du ikke bruke dette produktet før delene er skiftet ut. Bruk av dette produktet dersom deler er skadet eller mangler, kan føre til alvorlig personskade.

⚠ ADVARSEL: Ikke forsøk å gjøre endringer på produktet eller lage tilbehør som ikke er anbefalt for bruk med denne stangsagen. Enhver slik endring eller modifisering er feil bruk, og kan føre til farlige situasjoner og alvorlige personskader.

⚠ ADVARSEL: Tilbehør må aldri festes eller justeres mens motorenheten er i gang eller det er batteri i verktøyet. Hvis du ikke stopper motoren og fjerner batteriet, kan det oppstå alvorlig personskade.

REGULERING AV SKJÆREBLAD

Når hekktrimmeren tas ut av pakken, er den foldet i transportstilling med skjærebladet mot stangen (Fig. B). Vi anbefaler at du setter skjærebladet i en passende arbeidsstilling før du fester det til motorenheten.

Det finnes 12 mulige arbeidsstillinger. Vinkelen på skjærebladet kan justeres opp 5 hakk fra 0° (rett) til 45°, inkludert 0° og nedover 7 hakk fra 0° til 90° (høyre vinkel ned) (Fig. C), ikke inkludert 0°

1. Trykk på utløseren på reguleringsspaken mens du dreier spaken for å sette skjærebladet i den skjærestillingen du ønsker (Fig. D).
2. Når du har gjort det, slipper du opp utløseren. Et hørbart klikk forteller deg at låsepluggen har kommet i inngrep med kvadranten (Fig. D).

Se Fig. D under for beskrivelse av deler:

D-1	Kvadrant
D-2	Låseplugg

NO

⚠ ADVARSEL: For å redusere risikoen for skade skal reguleringen bare gjøres når skjærebladet står stille. Unngå å ta på bladene under justeringen.

⚠ ADVARSEL: For å redusere risikoen for skade skal du alltid stoppe verktøyet og sette på sliren før du setter skjærebladet i transportstilling eller fra transportstilling til normal arbeidsstilling.

KOBLE HEKKTRIMMEREN PÅ/AV MOTORENHETEN

Denne hekktrimmeren er beregnet til bruk med EGO motorenhet PH1400E med 56 V litium-ionbatteri. På stangen som kobles til motorenheten, er det i tillegg til toppskjæring også en sideskjæringsposisjon (Fig. E). Du finner detaljerte arbeidsinstruksjoner under overskriften “ARBEIDSTEKNIKK” i denne håndboken.

Se Fig. E under for beskrivelse av deler:

E-1	Posisjon for toppskjæring
E-2	Posisjon for sideskjæring

NO

Se overskriften “**MONTERE TILBEHØR PÅ MOTORENHETEN**” i håndboken til PH1400E for å koble hekktrimmeren til motorenheten.

Se avsnittet “**FJERNE TILBEHØR FRA MOTORENHETEN**” i håndboken til PH1400E for å koble hekktrimmeren fra motorenheten.

MONTERE TUPPBESKYTTER (valgfritt)

1. Bruk en unbraconøkkel for å fjerne den korte skruen, underlagsskiven, hylsen og mutteren på enden av skjærebladet (Fig. F). Ta vare på skive, hylse og mutter til monteringen etterpå.

Fig. F parts description see below:

F-1	Mutter	F-3	Underlagsskive
F-2	Hylse	F-4	Kort skruer

2. Juster tuppbeskytteren så den er på linje med forhøyningen på skjærebladet, og sett den på plass. Fest den med den nye lange skruen og mutteren i tillegg til underlagsskiven, hylsen og mutteren du har tatt vare på (Fig. G).

Fig. G parts description see below:

G-1	Mutter	G-4	Hylse
G-2	Tuppbeskytter	G-5	Underlagsskive
G-3	Mutter	G-6	Lang skruer

DRIFT

⚠ FARE: Unngå å klippe nær kraftlinjer, elektriske ledninger eller andre el-kilder. Hvis skjærebladene setter seg fast i en elektrisk ledning, **MÅ DU IKKE TA PÅ SKJÆREBLADENE ELLER ALUMINIUMSSTANGEN! DE KAN BLI “LEVENDE” OG DERMED SVÆRT FARLIGE.** Fortsett å holde hekktrimmeren på det isolerte, bakre håndtaket, eller legg den trygt ned i god avstand fra deg. Koble strømmen fra den ødelagte ledningen før du prøver å frigjøre skjærebladet. Kontakt med skjæreblad, andre strømførende deler av hekktrimmeren eller levende elektriske ledninger kan resultere i dødelig elektrisk sjokk eller alvorlige skader.

⚠ ADVARSEL: Ikke la fortrolighet med dette produktet gjøre deg uforsiktig. Husk at et uforsiktig tiendedel av et sekund er nok til å forårsake alvorlige skader.

⚠ ADVARSEL: Bruk alltid vernebriller med sidebeskyttelse. Unnlatelse av å gjøre dette kan resultere i at gjenstander som blir kastet kommer inn i øynene, og andre mulige og alvorlige skader.

Hver gang du skal bruke produktet, må du sjekke at det ikke er skadet eller mangler deler som skruer, mutre, bolter, netter osv. Trekk godt til alle festeanordninger og netter, og unngå å bruke produktet før du har fått byttet alle deler som mangler eller er skadet.

⚠ ADVARSEL: For å unngå alvorlig personskade må batteripakken tas ut før service, rengjøring, bytte av tilbehør eller når du fjerner fremmedlegemer fra verktøyet.

Rengjør verktøyet hver gang du har brukt det.

Se avsnittet Vedlikehold for rengjøringsinstruksjoner.

BRUKSOMRÅDER

Du kan bruke dette produktet til å beskjære hekker, busker og annen vegetasjon dersom greinene har en diameter på under Ø26 mm.

MERK: Verktøyet skal bare brukes til sitt foreskrevne formål. All annen bruk er feil.

BRUKE HEKKTRIMMEREN MED MOTORENHETEN

⚠ ADVARSEL: Kle deg riktig for å redusere risikoen for skader når du bruker dette verktøyet. Ikke bruk løstsittende klær eller smykker. Bruk vernebriller og øre-/hørselsvern. Bruk solide og lange bukser, støvler og hansker. Ikke bruk korte bukser eller sandaler, og ikke gå barbert.

FORBEREDELSE TIL KLIPPING:

1. Sett skjærebladet i den arbeidsstillingen du vil ha.
2. Ta av bladsliren.
3. For sikker og bedre drift bør skulderremmen legges over skulderen. Juster skulderremmen så du får en behagelig arbeidsstilling. Følg instruksene under "MONTERE SKULDERREMEN" i håndboken til PH1400E for å feste skulderremmen til motorenheten.

⚠ ADVARSEL: Skulderremmen er også en rask utløsermekanisme i farlige situasjoner. Når en nødssituasjon oppstår, ta apparatet av skulderen umiddelbart, uansett hvordan remmen er påsatt.

ARBEIDSTEKNIKK

- **Vannrett klipping (med skjærebladet i vinkel):** Beskjær langs bakken i stående stilling, f.eks. busker.

Sving skjærebladet opp og ned etter hvert som du forflytter deg langs hekken – bruk begge sidene av bladet, og unngå å la skjærebladet hvile på bakken (Fig. H).

- **Vannrett klipping (med skjærebladet i rett stilling):**

Hold skjærebladet i en vinkel mellom 0° to 10° mens du svinger hekktrimmeren vannrett. Sving skjærebladet i en bue mot utsiden av hekken slik at avskårne greiner faller på bakken (Fig. I, J og K).

Anbefalinger: Klipp bare hekker som ikke når høyere enn brysthøyde fra denne posisjonen.

- **Loddrett klipping (med skjærebladet i vinkel):**

Skjær mens du står på avstand fra (ikke rett ved siden av) hekken, f.eks. med et blomsterbed mellom deg og hekken.

For å ha bedre kontroll med hekktrimmeren ved loddrett klipping anbefales det å koble hekktrimmeren til motorenheten i sideskjæringsposisjonen (se Fig. E).

Sving skjærebladet opp og ned i en bue mens du forflytter deg langs hekken – bruk begge sidene av bladet (Fig. L).

- **Loddrett klipping (med skjærebladet i rett stilling):** Gir ekstra lang rekkevidde uten at du trenger andre hjelpemidler.

Sving skjærebladet opp og ned i en bue mens du forflytter deg langs hekken – bruk begge sidene av bladet (Fig. M).

- **Klipping over hodet (med skjærebladet i vinkel):**

Hold hekktrimmeren loddrett og sving den i en bue for å få utnyttet den maksimale rekkevidden best mulig (Fig. N). For spesielt høye hekker kan teleskopstangen kobles til andre hjelpemidler.

⚠ ADVARSEL: Det er slitsomt å arbeide med armene over hodet. For å redusere risikoen for ulykker bør du bare ha en slik arbeidsstilling i korte perioder om gangen. Sett skjærebladets vinkel på maks slik at verktøyet kan holdes i en lavere og mindre slitsom stilling (med skulderrem), samtidig som du oppnår tilstrekkelig rekkevidde.

SLIK STARTER/STOPPER DU VERKTØYET

Se avsnittet "STARTE/STOPPE VERKTØYHODET" i håndboken for PH1400E.

VEDLIKEHOLD

⚠ ADVARSEL: For du etterser, rengjør eller vedlikeholder verktøyet, må du stoppe motoren, vente på at alle deler har stanset, og stå ut batteripakken. Hvis du ikke følger disse instruksjonene, kan det resultere i alvorlig personskade eller skade på eiendeler.

⚠ ADVARSEL: Når verktøyet trenger service, må bare identiske reservedeler benyttes. Bruk av uoriginale deler kan forårsake fare eller skade produktet. For å sikre trygg og pålitelig bruk må alle reparasjoner utføres av en kvalifisert fagperson.

GENERELT VEDLIKEHOLD

Unngå bruk av løsemidler når plastdeler skal rengjøres. De fleste plasttyper kan ta skade av ulike typer løsemidler som er i salg, og kan dermed bli ødelagt. Bruk rene kluter for å fjerne skitt, støv, olje, fett, etc.

RENGJØRING AV VERKTØYET

- Bruk en myk børste til å fjerne rusk fra alle luftinntak og fra skjærebladet.
- For å ta bort kvæ og annet som klistrer seg til skjærebladet, kan du spraye med et egnet løsemiddel. Kjør motoren en kort stund så løsemidlet fordeles jevnt.
- Ikke bruk sterke vaskemidler på plasthuset eller håndtaket. De kan bli skadet av enkelte aromatiske oljer, som furu og sitron, og av løsemidler som parafin. Fuktighet kan også medføre fare for elektrisk støt. Tørk av eventuell fuktighet med en myk og tørr klut. Ikke bruk vann når du skal rengjøre verktøyet.

NO

SKJERPING AV BLADET

Når bladet ikke klipper eller fungerer så godt lenger, for eksempel når det ofte setter seg fast i greiner: Skjerp skjærebladene.

Det anbefales å få skjerpjet skjærebladet hos en kvalifisert fagperson.

MERK: Hekktrimmeren må ikke brukes hvis skjærebladet er sløvt eller ødelagt. Dette kan forårsake overbelastning og vil gi et utifredsstillende resultat.

SMØRING AV BLADET

For å forhindre rust anbefales det å smøre bladene med antirustmiddel når verktøyet settes bort for en lengre periode.

⚠ ADVARSEL: Skjærebladene er svært skarpe. Når du håndterer skjæredelen, må du bruke kraftige og sklisiske beskyttelseshansker. Unngå å legge hender eller fingre mellom bladene eller i en annen posisjon der de kan bli klemt eller få kuttskader. Du må ALDRI ta på skjærebladene eller utføre service på verktøyet når batteripakken er installert.

SMØRING AV GIRDRETVET

Girdrevet i girkassen må smøres med jevne mellomrom med girolje. Sjekk nivået på oljen i girkassen for hver 50. driftstime ved å ta av forseglingskruen på siden av kassen. Det er tre forseglingskruer, en på siden og to på toppen.

Hvis du ikke ser noe olje langs sidene av giret, følger du trinnene under for å fylle girolje til 3/4 av kapasiteten.

Girdrevet må ikke fylles helt opp.

1. Avhengig av hvilken skrue du skal fjerne, holder du hekktrimmeren på siden eller legger den flatt slik at forseglingskruen vender opp (Fig. O og P).
2. Bruk den medfølgende unbraconøkkel til å løsne og ta av forseglingskruen.
3. Bruk en oljesprøyte (følger ikke med) til å sprøyte inn olje i skruehullet; ikke fyll opp mer enn 3/4.
4. Stram til forseglingskruen når du er ferdig.

OPPBEVARING AV VERKTØYET

- Fjern batteripakken fra verktøyet.
- Rengjør verktøyet grundig før du setter det bort.
- Sett sliren på skjærebladet før du lagrer eller transporterer det. Vær forsiktig så du ikke kommer borti de skarpe tennene på bladet.
- Hvis hekktrimmeren tas av motorenheten og oppbevares separat, bør du sette endekapselen på stangen for å unngå at det kommer skitt og rusk inn i koplingsstykket.
- Oppbevar verktøyet på et tørt og godt ventilert sted, innelåst eller høyt plassert, og utilgjengelig for barn. Unngå å oppbevare verktøyet på eller ved siden av gjødningsmidler, bensin eller andre kjemikalier.

Beskytt miljøet



Elektrisk utstyr, batterilader og batterier/ oppladbare batterier skal ikke kastes i husholdningsavfall.

Ifølge EU-forskrift 2012/19/EU, skal elektrisk og elektronisk utstyr som ikke lenger er brukbart, og som i henhold til EU-forskrift 2006/66/EC har defekte eller brukte batteripakker/batterier, samles inn separat.

Hvis elektrisk apparater kastes på søppelfyllinger, kan farlige stoffer lekke ut i grunnvannet og komme inn i næringskjeden, og forårsake skader på helse og velvære.

NO

FEILSØKING

PROBLEM	ÅRSAK	LØSNING
Hekktrimmeren virker ikke.	<ul style="list-style-type: none"> ■ Batteripakken er ikke installert. ■ Ingen elektrisk kontakt mellom trimmeren og batteriet. ■ Batteripakken er tom. ■ Låseknappen er ikke trykket inn før du trykker på utløserbryteren. ■ Batteripakken eller motorenheten er for oppphetet. ■ Bladet har satt seg fast. ■ Hekktrimmeren er ikke godt nok festet til motorenheten. 	<ul style="list-style-type: none"> ■ Installer batteripakken i hekktrimmeren. ■ Fjern batteriet, sjekk kontakter og installer batteripakken igjen. ■ Lad opp batteripakken. ■ Trykk ned låsespaken og hold den inne, og trykk deretter på utløseren for å slå på verktøyet. ■ La batteripakken eller verktøyhodet kjøle seg ned til temperaturen kommer under 67 °C . ■ Fjern batteripakken fra verktøyet. Fjern hindringen forsiktig, sett deretter inn batteriet og start verktøyet. ■ Koble hekktrimmeren fra motorenheten. Koble dem sammen igjen ved å følge instruksene under "MONTERE TILBEHØR PÅ MOTORENHETEN" i håndboken for PH1400E.
Mye vibrasjoner eller støy.	<ul style="list-style-type: none"> ■ Tørre eller rustne skjæreblad. ■ Blad eller bladstøtte er bøyd. ■ Tennene er bøyd eller skadet. ■ Løse skruene til skjærebladene. 	<ul style="list-style-type: none"> ■ Smør skjærebladene. ■ Byttes med et nytt skjæreblad eller en bladstøtte. Kontakt EGOs servicesenter for hjelp med bytte av skjæreblad eller bladvern. ■ Byttes med et nytt skjæreblad eller en bladstøtte. Kontakt EGOs servicesenter for hjelp med bytte av skjæreblad eller bladvern. ■ Stram til skruene på bladet. Bruk en unbraconøkkel (følger ikke med) og stram til skruen i retning klokken.

NO

GARANTI

EGO GARANTIREGLER

Besøk nettsiden egopowerplus.com for å se fullstendige vilkår og betingelser for EGO-garantireglene.

ПРОЧИТАЙТЕ ВСЕ ИНСТРУКЦИИ!



См. Руководство пользователя

⚠ Остаточный риск! Людям с имплантированными электронными устройствами (например кардиостимуляторами) необходимо проконсультироваться с лечащим врачом, прежде чем использовать данный инструмент. Использование электрооборудования в непосредственной близости от кардиостимулятора может стать причиной перебоев в работе или отказа кардиостимулятора.

⚠ ВНИМАНИЕ! Для обеспечения безопасности и надежной эксплуатации инструмента все ремонтные работы должны выполняться силами квалифицированных специалистов.

ПРЕДУПРЕЖДАЮЩИЕ СИМВОЛЫ

Данные символы предназначены для привлечения вашего внимания к факторам риска. Рекомендуется ознакомиться и разобраться со всеми предупреждающими символами и пояснениями к ним. Предупреждающие символы не нейтрализуют факторы риска. Указания и предупреждения не могут заменить надлежащие меры предосторожности.

⚠ ВНИМАНИЕ! Прежде чем использовать инструмент, прочитайте и разберитесь со всеми правилами техники безопасности, приведенным в данном руководстве пользователя, включая все предупреждающие символы, такие как «ОПАСНО», «ВНИМАНИЕ» и «ОСТОРОЖНО». Несоблюдение указаний, приведенных ниже, может привести к поражению электрическим током, возгоранию и/или серьезным травмам.

ЗНАЧЕНИЕ СИМВОЛОВ

⚠ СИМВОЛ ВОСКЛИЦАТЕЛЬНОГО ЗНАКА

В ТРЕУГОЛЬНИКЕ: означает «ОПАСНО», «ВНИМАНИЕ» или «ОСТОРОЖНО». Может использоваться вместе с другими символами или пиктограммами.



⚠ ВНИМАНИЕ! Использование любых механических инструментов может привести к попаданию посторонних предметов в глаза, что может стать причиной серьезных травм. При работе с таким инструментом всегда надевайте защитные очки, очки с боковыми щитками или лицевые щитки. Поверх защитных очков рекомендуется надевать защитную маску Wide Vision или использовать стандартные защитные очки с боковыми щитками.

МЕРЫ ПРЕДОСТОРОЖНОСТИ

На данной странице описаны предупреждающие символы, которые могут присутствовать на изделии. Прочитайте и разберитесь со всеми инструкциями на инструменте и соблюдайте их при сборке и эксплуатации инструмента.

	Предупреждение	Потенциальная угроза здоровью.
	См. руководство пользователя	Чтобы уменьшить риск получения травм, перед использованием устройства необходимо прочитать и понять руководство по эксплуатации.
	Используйте средства защиты глаз	При использовании инструмента всегда надевайте защитные очки, защитные очки с боковыми щитками или лицевые щитки.
	Используйте защитный головной убор.	Используйте надежную каску для защиты головы.
	Используйте средства защиты органов слуха.	При использовании устройства всегда надевайте средства защиты органов слуха.
	Длина режущего элемента	Длина режущего элемента

	Резка емкость	Макс. производительность режущего элемента
	Всегда держите руки и ноги подальше от режущего инструмента.	Во время работы держите электроинструмент обеими руками. Потеря контроля над электроинструментом может привести к получению тяжелых или смертельных травм. Чтобы снизить риск получения травм от порезов, держите руки и ноги подальше от режущего инструмента. Никогда не прикасайтесь к движущемуся режущему инструменту руками и любыми другими частями тела.
	Не позволяйте посторонним людям находиться поблизости.	Убедитесь, что другие люди и животные находятся на расстоянии не менее 15 м от работающего устройства.
	Не допускайте воздействия воды	Не пользуйтесь инструментом в дождливую погоду и не бросайте его под дождем.
IPX4	Класс защиты IP	Защита от воздействия воды 4 степени
	CE	Соответствует основным требованиям стандартов безопасности Европейских директив.
	WEEE	Неисправные электрические устройства нельзя выбрасывать вместе с бытовым мусором. Сдавайте их в авторизованные пункты сбора и утилизации.

	Шум	Гарантированный уровень звуковой мощности. Уровень шума в окружающей среде в соответствии с директивой ЕС.
V	Вольты	Напряжение
mm	Миллиметр	Длина или размер
cm	Сантиметр	Длина или размер
kg	Килограмм	Масса

ВАЖНЫЕ ИНСТРУКЦИИ ПО ТЕХНИКЕ БЕЗОПАСНОСТИ

⚠ ПРЕДУПРЕЖДЕНИЕ! При использовании электрических садовых инструментов необходимо соблюдать следующие основные меры предосторожности для уменьшения вероятности возникновения пожара, поражения электрическим током и получения травм.

ВНИМАТЕЛЬНО ПРОЧИТАЙТЕ ПЕРЕД ИСПОЛЬЗОВАНИЕМ.

СОХРАНИТЕ ДЛЯ ИСПОЛЬЗОВАНИЯ В БУДУЩЕМ.

⚠ ОПАСНО! Не используйте рядом с линиями электропередач. Это устройство не обеспечивает защиту от удара электрическим током в случае контакта с воздушными линиями электропередач. Примите во внимание местные нормы, которые определяют безопасное расстояние от линий электропередач, и перед использованием устройства убедитесь, что находитесь в безопасном и устойчивом положении.

ПРЕДОСТЕРЕЖЕНИЯ ОБ ОПАСНОСТИ ПРИ ИСПОЛЬЗОВАНИИ КУСТОРЕЗА

⚠ ОПАСНО! Руки должны находиться на безопасном расстоянии от режущего элемента. Прикосновение к режущему элементу может привести к серьезным травмам.

- Следите за тем, чтобы части тела находились на расстоянии от режущего элемента. Не убирайте срезанные части и не держите обрезаемые части во время вращения режущего элемента. Перед очисткой от застрявших материалов убедитесь, что устройство выключено. Даже кратковременная невнимательность при использовании устройства может привести к серьезным травмам.

RU

- **Примечание для устройств с определенным транспортировочным положением (режущий элемент сложен вплотную к валу кустореза).** Никогда не запускайте устройство в транспортировочном положении, так как при этом режущие элементы не находятся в зацеплении и невозможно визуально убедиться в том, что они останутся на холостом ходу перед началом регулировки их положения.
- **Во время переноски кусторез необходимо держать за рукоятку.** Режущий элемент не должен вращаться. Во время транспортировки или хранения режущий элемент должен быть закрыт чехлом. Надлежащее использование кустореза снижает риск получения травмы в результате контакта с режущим элементом.
- **При обращении с инструментом не беритесь за открытые режущие элементы или режущие края.**
- **Держите электроинструмент только за поверхности с защитным покрытием, так как нож может касаться скрытой электропроводки.** Касание режущим элементом проводки под напряжением может передать напряжение на металлические части электроинструмента и привести к поражению оператора электрическим током.
- **Держите кабель подальше от режущих элементов.** Во время использования кабель может затеряться в кустах и случайно попасть под режущий элемент.
- **Перед работой проверьте живую изгородь на наличие посторонних объектов (например, проволочных ограждений).**
- **Чтобы снизить риск получения травм при потере контроля, необходима абсолютная уверенность в том, что режущий элемент не касается оператора и других препятствий и объектов, в том числе земли, поскольку при запуске инструмента скорость вращения двигателя является достаточно высокой для захвата и перемещения режущего элемента.**
- **Не допускайте посторонних в рабочую зону.** Убедитесь, что другие люди и животные находятся на расстоянии не менее 15 м от работающего устройства.
- **Не позволяйте детям использовать кусторез.**
- **При работе с устройством удерживайте его двумя руками.** При удерживании одной рукой возможна потеря контроля, что может привести к серьезным травмам.
- **Не перенапрягайтесь.** Всегда сохраняйте устойчивое положение и равновесие. Необходимо соблюдать особую осторожность на скользком покрытии (мокрая земля, снег), а также в сложной заросшей местности. Следите за скрытыми препятствиями, такими как пни, корни и канавы. Избегайте упавших веток, кустарников и обрезков. Будьте особенно внимательны при работе на склонах и неровной поверхности.
- **Не используйте устройство на лестницах, крышах, деревьях и других неустойчивых опорах.** Устойчивое положение на твердой поверхности позволяет лучше контролировать устройство в непредвиденных ситуациях.
- **Постоянно держите режущие элементы в поле зрения.** Не срезайте растительность, если ее не видно. При срезании верхней части высокой изгороди периодически проверяйте, что с другой стороны изгороди нет посторонних лиц, животных и препятствий.
- **Перед каждым использованием устройства проверяйте его на наличие поврежденных частей.** Проверьте движущиеся части на правильность выравнивания и сцепления, а также все остальные части устройства на наличие повреждений, надежность крепления и другие условия, которые могут повлиять на работу устройства.
- **Периодически проверяйте надежность фиксации режущего элемента и крепежных болтов.** Также визуально проверяйте режущий элемент на наличие повреждений (например, изгибов, трещин и признаков износа). Для замены используйте только режущий элемент EGO™.
- **Замените режущий элемент, если он согнулся или треснул.** Несбалансированный режущий элемент вызывает вибрацию, которая может привести к повреждению двигателя устройства или травмам.
- **Если устройство чрезмерно вибрирует, выключите двигатель и немедленно выясните причину.** Обычно вибрация указывает на возникновение проблемы.
- **Устройство может использоваться для резки стеблей толщиной не более 26 мм.**
- **Работайте только при дневном свете или хорошем искусственном освещении.**
- **Не используйте аккумуляторное устройство под дождем.**

ДОПОЛНИТЕЛЬНЫЕ ПРЕДУПРЕЖДЕНИЯ

- Не заряжайте аккумулятор под дождем или во влажных условиях.
Используйте только аккумуляторы и зарядные устройства, указанные на рис. А.
- Прежде чем выбрасывать устройство, необходимо извлечь аккумулятор.
- Аккумулятор необходимо утилизировать безопасным способом.
- Не бросайте аккумуляторы в огонь. Аккумуляторы могут взорваться. Ознакомьтесь с местными нормами и правилами, которые могут содержать специальные инструкции по утилизации.
- Не вскрывайте и не деформируйте аккумулятор. Вытекший электролит может стать причиной коррозии и привести к повреждению глаз или кожи. Он токсичен при проглатывании.

⚠ ВНИМАНИЕ! Электролит представляет собой разбавленную серную кислоту, которая опасна для кожи и глаз. Она электропроводна и агрессивна.

- Будьте осторожны при обращении с аккумуляторами, чтобы не замкнуть контакты предметами из проводящих материалов, такими как кольца, браслеты и ключи. Аккумулятор или контакт могут перегреться и вызвать ожоги.
- Работая от аккумуляторов инструменты не требуется подключать к розетке электросети, поэтому они всегда готовы к использованию. Помните о возможности возникновения опасных ситуаций даже когда устройство не используется. Соблюдайте осторожность при выполнении технического обслуживания или ремонта.
- Извлеките аккумулятор перед выполнением обслуживания, очистки или удаления материала из высотореза.
- Запасные части. При ремонте используйте только идентичные запасные части EGO. Использование других принадлежностей или приспособлений может привести к получению травмы.
- Ремонт электроинструмента должен производиться квалифицированным специалистом с использованием только идентичных запасных частей. Это обеспечит безопасную работу электроинструмента.
- Не мойте устройство из шланга. Избегайте попадания воды в двигатель и электрические соединения.
- Храните устройство в сухом, высоком или закрытом месте, недоступном для детей.

- При возникновении ситуаций, не описанных в данном руководстве, соблюдайте осторожность и руководствуйтесь здравым смыслом. Обратитесь в сервисный центр EGO за помощью.
- Сохраните данные инструкции. Регулярно просматривайте их и предоставляйте для ознакомления другим пользователям. Одалживая кому-либо устройство, передайте также данные инструкции для предотвращения неправильного использования и возможных травм.

СОХРАНИТЕ ДАННЫЕ ИНСТРУКЦИИ

ПРИМЕЧАНИЕ. ДОПОЛНИТЕЛЬНЫЕ СПЕЦИАЛЬНЫЕ ПРАВИЛА ТЕХНИКИ БЕЗОПАСНОСТИ СМ. В РУКОВОДСТВЕ ПОЛЬЗОВАТЕЛЯ ПРИВОДНОГО БЛОКА.

ТЕХНИЧЕСКИЕ ХАРАКТЕРИСТИКИ

Длина режущего элемента	51 cm	
Производительность резания	26 mm	
Масса (без батарейного блока)	2,20 кг	
Рекомендуемая рабочая температура	От 0 до -40 °C	
Рекомендуемая температура хранения	от -20 до -70 °C	
Измеренный уровень звуковой мощности L_{WA}	92,3 дБ (A) K=2,72 дБ (A)	
Уровень звукового давления на уровне уха оператора L_{PA}	80,4 дБ (A) K=3 дБ (A)	
Гарантированный уровень звукового давления L_{WA} (в соответствии с 2000/14/EC)	95 дБ (A)	
Вибрация a_h	Передняя вспомогательная рукоятка	4,9 м/с ² K=1,5 м/с ²
	Задняя рукоятка	6,7 м/с ² K=1,5 м/с ²

- Вышеуказанные параметры протестированы и измерены при использовании с приводным блоком PH1400E.
- Номинальный уровень вибрации был измерен в соответствии со стандартными методиками. Полученное значение можно использовать для сравнения инструментов между собой.

RU

- Значение номинального уровня вибрации также можно использовать для оценки воздействия инструмента на оператора.

ОБРАТИТЕ ВНИМАНИЕ: фактический уровень вибрации во время использования инструмента может отличаться от номинального. Оператору рекомендуется надевать перчатки и средства защиты органов слуха.

КОМПЛЕКТ ПОСТАВКИ

ДЕТАЛЬ	КОЛИЧЕСТВО
Насадка вертикального кустореза	1
Ключ	1
Чехол режущего элемента	1
Руководство пользователя	1

ОПИСАНИЕ

ЧАСТИ НАСАДКИ ВЕРТИКАЛЬНОГО КУСТОРЕЗА (Рис. А)

RU

1. Режущий элемент
2. Зубчатый сектор
3. Курок
4. Вал вертикального кустореза
5. Мягкая накладка
6. Концевой колпачок
7. Рычаг регулировки
8. Корпус редуктора
9. Ключ
10. Чехол режущего элемента
11. Защита наконечника (дополнительно, ПРОДАЕТСЯ ОТДЕЛЬНО)

СБОРКА

⚠ ПРЕДУПРЕЖДЕНИЕ. Если какие-либо части повреждены или отсутствуют, не используйте устройство, пока они не будут установлены. Использование устройства в случае повреждения или отсутствия частей может привести к получению серьезной травмы.

⚠ ПРЕДУПРЕЖДЕНИЕ. Не пытайтесь изменить конструкцию высотореза или использовать не рекомендованные для него дополнительные приспособления. Подобное изменение считается ненадлежащим использованием и способствует возникновению опасной ситуации, которая приведет к получению серьезной травмы.

⚠ ПРЕДУПРЕЖДЕНИЕ. Никогда не выполняйте установку или регулировку принадлежностей, если приводной блок работает или в него установлен аккумулятор. Двигатель должен быть остановлен, а аккумулятор извлечен, в противном случае существует риск получения серьезных травм.

РЕГУЛИРОВКА РЕЖУЩЕГО ЭЛЕМЕНТА

Извлеченный из упаковки вертикальный кусторез сложен в транспортировочное положение, при котором режущий элемент прижат к валу (Рис. В). Перед подключением инструмента к приводному блоку рекомендуется привести режущий элемент в подходящее рабочее положение.

Предусмотрено 12 рабочих положений. Угол режущего элемента можно регулировать вверх в 5 положениях от 0° включительно (прямое) до 45° и вниз в 7 положениях от 0° исключительнo до 90° (правым углом вниз) (Рис. С).

1. Нажмите курок на рычаге регулировки и одновременно вращайте рычаг регулировки в желаемое положение (Рис. D).
2. Когда желаемое положение будет достигнуто, отпустите курок. Должен быть слышен щелчок, который означает, что стопорный штифт правильно вошел с зацеплением с зубчатым сектором (Рис. D).

Описание частей на Рис. D

D-1	Зубчатый сектор
D-2	Стопорный штифт

⚠ ПРЕДУПРЕЖДЕНИЕ. Во избежание травм выполняйте регулировку только при полностью остановленных режущих элементах. Никогда не прикасайтесь к режущим элементам во время регулировки.

⚠ ПРЕДУПРЕЖДЕНИЕ. Чтобы снизить риск получения травмы, всегда останавливайте инструмент и надевайте чехол на режущий элемент перед перемещением режущего элемента в положение для хранения или из положения хранения в нормальное рабочее положение.

УСТАНОВКА НАСАДКИ ВЕРТИКАЛЬНОГО КУСТОРЕЗА НА ПРИВОДНОЙ БЛОК И СНЯТИЕ С НЕГО

Эта насадка вертикального кустореза предназначена для использования с приводным блоком EGO RH1400E с ЛИТИЙ-ИОННЫМ аккумулятором 56 В. Кроме положения верхней обрезки существует также положение боковой обрезки, которое предусмотрено на вале вертикального кустореза для подключения к приводному блоку (Рис. Е). Подробные сведения о приемах работы см. в разделе «ПРИЕМЫ РАБОТЫ» данного руководства.

Описание частей на Рис. Е

E-1	Положение верхней обрезки
E-2	Положение боковой обрезки

Инструкции по установке насадки вертикального кустореза на приводной блок см. в разделе «УСТАНОВКА ИНСТРУМЕНТА НА ПРИВОДНОЙ БЛОК» руководства пользователя приводного блока RH1400E.

Инструкции по снятию насадки вертикального кустореза с приводного блока см. в разделе «СНЯТИЕ ИНСТРУМЕНТА С ПРИВОДНОГО БЛОКА» руководства пользователя приводного блока RH1400E.

УСТАНОВКА ЗАЩИТЫ НАКОНЕЧНИКА (дополнительно)

1. С помощью шестигранного ключа извлеките короткий болт, плоскую шайбу, вкладыш и гайку на конце режущего элемента (Рис. F). Сохраните плоскую шайбу, вкладыш и гайку для последующей сборки.

Описание частей на Рис. F

F-1	Гайка	F-3	Плоская шайба
F-2	Вкладыш	F-4	Короткий болт

2. Выровняйте защиту наконечника с выступом на режущем элементе и установите на место. Закрепите с помощью нового длинного болта и гайки, а также сохраненных шайбы, вкладыша и гайки (Рис. G).

Описание частей на Рис. G

G-1	Гайка	G-4	Вкладыш
G-2	Защита наконечника	G-5	Плоская шайба
G-3	Гайка	G-6	Длинный болт

ЭКСПЛУАТАЦИЯ

⚠ ОПАСНО! Никогда не работайте с инструментом вблизи линий электропередач, электрических кабелей или других источников электричества. Если в режущие элементы попал электропровод, **НЕ ПРИКАСАЙТЕСЬ К РЕЖУЩИМ ЭЛЕМЕНТАМ И АЛЮМИНИЕВОЙ ШТАНГЕ! ОНИ МОГУТ БЫТЬ ПОД НАПРЯЖЕНИЕМ И ОЧЕНЬ ОПАСНЫ.** Продолжайте удерживать кусторез за изолированную заднюю рукоятку или отложите в сторону безопасным способом. Прежде чем удалить застрявший в режущем элементе провод, отключите поврежденный провод от электросети. Контакт режущего элемента с другими проводящими частями кустореза или электрическими кабелями и проводами может привести к смерти от электрошока или серьезным травмам.

⚠ ВНИМАНИЕ! Будьте крайне внимательны с инструментом, даже если хорошо разбираетесь в нем. Помните, что для получения тяжелой травмы достаточно отвлечься даже на долю секунды

⚠ ВНИМАНИЕ! Используйте защитные очки с боковыми щитками. В противном случае отбрасываемые инструментом предметы могут попасть в глаза и стать причиной тяжелых травм.

Перед каждым использованием полностью проверяйте устройство на наличие поврежденных, отсутствующих или ослабленных частей, таких как винты, гайки, болты, заглушки и т. д. Надежно закрепите все фиксаторы и заглушки и не пользуйтесь устройством до тех пор, пока не будут заменены поврежденные или отсутствующие части.

⚠ ПРЕДУПРЕЖДЕНИЕ. Чтобы предотвратить получение серьезных травм, извлекайте аккумулятор перед выполнением сервисного обслуживания, очистки, замены принадлежностей или удаления материала из устройства.

Очищайте инструмент после каждого использования.

Инструкции по очистке см. в разделе «Обслуживание».

ПРИМЕНЕНИЕ

Инструмент можно использовать для обрезки живой изгороди, кустарника, поросли и аналогичных материалов диаметром не более 26 мм.

ПРИМЕЧАНИЕ. Инструмент должен использоваться только по назначению. Любое другое использование, кроме упомянутого, считается ненадлежащим.

ИСПОЛЬЗОВАНИЕ ВЕРТИКАЛЬНОГО КУСТОРЕЗА С ПРИВОДНЫМ БЛОКОМ

⚠ ПРЕДУПРЕЖДЕНИЕ. Одевайтесь надлежащим образом, чтобы снизить риск получения травм при использовании данного инструмента. Не надевайте свободную одежду и украшения. Используйте средства защиты органов зрения и слуха. Надевайте плотные длинные брюки, прочную обувь и перчатки. Не надевайте шорты, сандалии и не работайте босиком.

ПОДГОТОВКА К ОБРЕЗКЕ

1. Выберите для режущего элемента подходящее рабочее положение.
2. Снимите чехол с режущего элемента.
3. Для более безопасной и удобной работы используйте наплечный ремень. Отрегулируйте наплечный ремень до удобного положения. Чтобы прикрепить наплечный ремень к приводному блоку, следуйте инструкциям в разделе «УСТАНОВКА НАПЛЕЧНОГО РЕМНЯ» руководства пользователя приводного блока RH1400E.

RU

⚠ ПРЕДУПРЕЖДЕНИЕ. Наплечный ремень также является быстроразъемным механизмом, используемым в опасных ситуациях. В случае возникновения чрезвычайной ситуации немедленно снимите его с плеча любым способом.

ПРИЕМЫ РАБОТЫ

- **Горизонтальная обрезка (режущий элемент расположен под углом).** Выполняйте обрезку близко к земле стоя на месте (например, низких кустов).

Перемещайте режущий элемент влево и вправо, а также вверх и вниз по мере продвижения вдоль изгороди. Используйте обе стороны режущего элемента и не касайтесь поверхности земли (Рис. Н).

- **Горизонтальная обрезка (режущий элемент расположен прямо).**

Удерживайте режущий элемент под углом от 0° до 10° и перемещайте устройство горизонтально. Раскачивайте режущий элемент дугообразными движениями от середины куста к краям, чтобы обрезки падали на землю (Рис. I J и K).

Рекомендации В этом рабочем положении обрезайте только изгороди, расположенные не выше уровня груди.

- **Вертикальная обрезка (режущий элемент расположен под углом).** При работе не располагайтесь непосредственно рядом с изгородью. Например, между оператором и изгородью должна находиться клумба.

В таком положении для лучшего контроля над инструментом рекомендуется подсоединить вертикальный кусторез к приводному блоку в положении для боковой резки (см. Рис. Е).

Перемещайте режущий элемент вверх и вниз по мере продвижения вдоль изгороди. Используйте обе стороны режущего элемента (Рис. L).

- **Вертикальная обрезка (режущий элемент расположен прямо).**

В этом случае достигается максимальная длина без использования дополнительных приспособлений.

Перемещайте режущий элемент вверх и вниз по мере продвижения вдоль изгороди. Используйте обе стороны режущего элемента (Рис. M).

- **Верхняя обрезка (режущий элемент расположен под углом).**

Удерживайте инструмент вертикально и перемещайте по дуге, чтобы максимально использовать его длину (Рис. N). Если изгородь очень высокая, потребуются использовать подходящую удлинительную штангу.

⚠ ПРЕДУПРЕЖДЕНИЕ. Любое рабочее положение выше уровня головы является утомительным. Чтобы свести к минимуму риск несчастных случаев, работайте в таком положении только в течение коротких промежутков времени. Установите максимальный угол регулируемого режущего элемента, чтобы инструмент можно было удерживать в более низком и удобном положении (с наплечным ремнем) и при этом обеспечить необходимую эффективность.

ВКЛЮЧЕНИЕ И ВЫКЛЮЧЕНИЕ ИНСТРУМЕНТА

См. раздел **ВКЛЮЧЕНИЕ И ВЫКЛЮЧЕНИЕ ПРИВОДНОГО БЛОКА** в руководстве пользователя приводного блока RH1400E.

ТЕХОБСЛУЖИВАНИЕ

⚠ ПРЕДУПРЕЖДЕНИЕ. Прежде чем выполнять проверку, очистку или обслуживание устройства, выключите двигатель, дождитесь, пока все движущиеся детали полностью останутся, а затем извлеките аккумулятор. Несоблюдение данных инструкций может привести к серьезным травмам или материальному ущербу.

⚠ ПРЕДУПРЕЖДЕНИЕ. При ремонте используйте только идентичные запасные части. Использование других запасных частей может привести к возникновению опасной ситуации или повреждению устройства. Чтобы обеспечить безопасность и надежность устройства, его ремонт должен выполнять квалифицированный специалист.

ОБЩЕЕ ОБСЛУЖИВАНИЕ

Не используйте растворители для очистки пластиковых частей. Большинство пластиковых частей чувствительны к различным бытовым растворителям и могут быть повреждены. Для очистки от грязи, пыли, масла, смазки и т. п. используйте чистую ткань.

ОЧИСТКА УСТРОЙСТВА

- Используйте мягкую щетку, чтобы удалить загрязнения из воздухозаборных отверстий и с режущего элемента.
- Для удаления смолы и других липких загрязнений распылите на режущий элемент растворитель для смол. Запустите двигатель на короткое время, чтобы растворитель равномерно распределился по режущему элементу.
- Не используйте активные моющие средства для очистки пластикового корпуса или рукоятки. Они могут быть повреждены определенными ароматическими маслами, такими как хвойное и лимонное масла, а также растворителями, например керосином. Кроме того, наличие влаги может привести к поражению электрическим током. Протрите влажное место мягкой сухой тканью. Никогда не используйте воду для очистки инструмента.

ЗАТОЧКА РЕЖУЩЕГО ЭЛЕМЕНТА

Если эффективность резки начинает снижаться и режущие элементы часто цепляются за ветки, необходима заточка режущих элементов.

Рекомендуется, чтобы заточку выполнил квалифицированный специалист.

⚠ ПРИМЕЧАНИЕ. Не используйте кусторез с тупыми или поврежденными режущими ножами. Это может вызвать перегрузку и стать причиной неудовлетворительных результатов резки.

СМАЗКА РЕЖУЩЕГО ЭЛЕМЕНТА

Во избежание появления ржавчины рекомендуется перед длительным хранением смазать режущие элементы антикоррозионной смазкой.

⚠ ПРЕДУПРЕЖДЕНИЕ. Ножи очень острые. При работе с узлом ножа надевайте нескользящие, сверхпрочные защитные перчатки. Не помещайте руки или пальцы между ножами и в любое другое положение, где они могут быть защемлены или отрезаны. НИКОГДА не прикасайтесь к ножам и не ремонтируйте устройство, если в нем установлен аккумулятор.

СМАЗКА ШЕСТЕРНЕЙ РЕДУКТОРА

Шестерни в редукторе необходимо периодически смазывать трансмиссионной смазкой. Проверяйте уровень смазки каждые 50 часов работы, сняв уплотнительный винт корпуса редуктора. Предусмотрено три уплотнительных винта: один сбоку и два сверху.

Если по бокам шестерней не видно следов смазки, выполните указанные ниже действия, чтобы залить трансмиссионную смазку на 3/4 объема.

Не заливайте шестерни редуктора полностью.

1. В зависимости от извлекаемого винта положите инструмент на бок или на заднюю часть, чтобы уплотнительный винт был направлен вверх (Рис. О и Р).
2. Используйте прилагаемый ключ, чтобы открыть и извлечь уплотнительный винт.
3. Используйте смазочный шприц (не входит в комплект), чтобы впрыснуть немного смазки в отверстие для винта (не более 3/4 объема).
4. Закрутите уплотнительный винт после смазки.

ХРАНЕНИЕ УСТРОЙСТВА

- Извлеките аккумулятор из устройства.
- Тщательно очистите устройство перед хранением.
- Перед хранением или транспортировкой надевайте чехол на режущий элемент. Будьте осторожны с острыми зубьями режущего элемента.
- Если инструмент снят с приводного блока и хранится отдельно, наденьте колпачок на вал инструмента, чтобы избежать загрязнения втулки.
- Храните устройство в сухом, хорошо проветриваемом, закрытом или высоком месте, недоступном для детей. Не храните устройство рядом с удобрениями, бензином или другими химическими веществами.

RU

Защита окружающей среды



Не выбрасывайте электроприборы, зарядные устройства и аккумуляторные батареи вместе с бытовыми отходами!

Неиспользуемое электрическое и электронное оборудование (в соответствии с законом ЕС 2012/19/EU), а также неисправные или разряженные аккумуляторные батареи (в соответствии с законом ЕС 2006/66/EC) должны утилизироваться отдельно от другого мусора.

При утилизации электроприборов на свалках и полигонах ТБО опасные вещества могут попасть в грунтовые воды, а следовательно и в пищу, что создает угрозу здоровью и благосостоянию людей.

RU

KREISSWAN DERFSBEK
KREISSWAN DERFSBEK

ПОИСК И УСТРАНЕНИЕ НЕИСПРАВНОСТЕЙ

ПРОБЛЕМА	ПРИЧИНА	РЕШЕНИЕ
Вертикальный кусторез не работает.	<ul style="list-style-type: none"> ■ Аккумулятор не установлен в кусторез. ■ Нет электрического контакта между кусторезом и аккумулятором. ■ Аккумуляторная батарея разряжена. ■ При нажатии на курок-выключатель не была нажата кнопка фиксатора. ■ Аккумулятор или приводной блок перегрелся. ■ Режущий элемент заклинило. ■ Вертикальный кусторез неправильно соединен с приводным блоком. 	<ul style="list-style-type: none"> ■ Установите аккумулятор в вертикальный кусторез. ■ Снимите батарею, проверьте контакты и установите ее на место. ■ Зарядите аккумулятор. ■ Нажмите на рычаг блокировки и удерживайте его, затем зажмите курковый переключатель, чтобы включить инструмент. ■ Дайте аккумулятору или приводному блоку остыть, пока температура не упадет ниже 67°C. ■ Извлеките аккумулятор из устройства. Аккуратно устраните препятствие, переустановите аккумулятор и перезапустите инструмент. ■ Отсоедините вертикальный кусторез от приводного блока. Подсоедините заново согласно инструкциям в разделе «УСТАНОВКА ИНСТРУМЕНТА НА ПРИВОДНОЙ БЛОК» руководства пользователя приводного блока PH1400E.
Сильная вибрация или шум.	<ul style="list-style-type: none"> ■ Сухие или ржавые режущие элементы. ■ Режущий элемент или его основание погнуты. ■ Согнутый или поврежденный зубец на режущем элементе. ■ Открутите болты режущего элемента. 	<ul style="list-style-type: none"> ■ Смажьте режущий элемент. ■ Замените режущий элемент или его основание. Обратитесь в сервисный центр EGO для замены режущего элемента или его основания (см. стр. 29). ■ Замените режущий элемент или его основание. Обратитесь в сервисный центр EGO для замены режущего элемента или его основания (см. стр. 29). ■ Закрутите болты режущего элемента. При помощи ключа (не прилагается) закрутите болт по часовой стрелке, чтобы затянуть его.

RU

ГАРАНТИЯ

ГАРАНТИЙНАЯ ПОЛИТИКА EGO

Посетите веб-сайт egopowerplus.com, чтобы ознакомиться со всеми условиями и сроками гарантийной политики EGO.

PRZECZYTAJ WSZYSTKIE INSTRUKCJE!



Przeczytaj Instrukcję Użytkownika

⚠ Pozostałe zagrożenia! Osoby noszące urządzenia elektroniczne, np. rozruszniki serca, powinny się skonsultować z lekarzem przed użyciem tego urządzenia. Obsługa sprzętu elektrycznego w pobliżu rozrusznika serca może spowodować zakłócenia lub awarię rozrusznika.

⚠ OSTRZEŻENIE: Aby zapewnić bezpieczeństwo i niezawodność, wszystkie naprawy i wymiany powinny być wykonane przez serwisanta z odpowiednimi kwalifikacjami.

SYMBOLE BEZPIECZEŃSTWA

Celem symboli bezpieczeństwa jest zwrócenie Twojej uwagi na możliwe zagrożenia. Symbole bezpieczeństwa oraz wyjaśnienia zasługują na szczególną uwagę oraz zrozumienie ze strony użytkownika. Ostrzeżenia związane z symbolami nie mogą same w sobie zapobiec zagrożeniom. Instrukcje i ostrzeżenia w nich zawarte nie zastępują właściwych środków profilaktycznych.

⚠ OSTRZEŻENIE: Przeczytaj ze zrozumieniem wszystkie instrukcje obsługi w instrukcjach operatora, razem ze wszystkimi symbolami ostrzegającymi o niebezpieczeństwie, takimi jak **"NIEBEZPIECZEŃSTWO,"** **"OSTRZEŻENIE,"** oraz **"UWAGA"** przed użyciem urządzenia.. Niestosowanie się do wszystkich podanych niżej instrukcji może doprowadzić do porażenia prądem, pożaru i/lub poważnych obrażeń.

ZNACZENIE SYMBOLU

⚠ SYMBOL OSTRZEGAJĄCY PRZED

NIEBEZPIECZEŃSTWEM Wskazuje ma **NIEBEZPIECZEŃSTWO, OSTRZEŻENIE** oraz

UWAGĘ. Mogą być stosowane razem z innymi symbolami lub piktogramami.



⚠ OSTRZEŻENIE: Stosowanie elektronarzędzia może spowodować dostanie się obcych przedmiotów do oczu, co może spowodować poważne obrażenia oczu. Przed rozpoczęciem obsługi elektronarzędzia, ubierz okulary ochronne z bocznymi osłonami i całkowitą osłoną twarzy, w razie potrzeby. Zalecamy maskę bezpieczeństwa o szerokim polu widzenia zamiast tradycyjnych okularów ochronnych lub okularów z osłonami bocznymi.

INSTRUKCJE BEZPIECZEŃSTWA

Strona ta przedstawia i opisuje symbole bezpieczeństwa, które mogą pojawić się na tym urządzeniu. Przeczyta ze zrozumieniem i przestrzegaj wszystkich instrukcji na urządzeniu przed jego montażem i obsługą.

	Ostrzeżenie przed niebezpieczeństwem	Wskazuje potencjalne ryzyko obrażeń osób.
	Przeczytaj Instrukcję Użytkownika	Aby zmniejszyć ryzyko urazów, użytkownik musi przeczytać i zrozumieć instrukcję przed rozpoczęciem korzystania z produktu.
	Ochrona oczu	Zawsze noś osłonę na oczy lub okulary ochronne z bocznymi osłonami lub całkowitą osłoną twarzy podczas obsługi tego produktu.
	Noś kask ochronny	Aby chronić głowę, należy nosić atestowany kask ochronny.
	Noś naszniki ochronne	Podczas pracy urządzeniem należy zawsze nosić ochronniki słuchu.
	Długość ostrza	Długość ostrza
	Grubość cięcia	Maks. szerokość cięcia ostrzem
	Ręce i stopy trzymaj z dala od elementów tnących	Nigdy nie należy próbować używać elektronarzędzia jedną ręką. Utrata kontroli nad elektronarzędziem może spowodować poważne obrażenia lub śmierć. Aby ograniczyć ryzyko ran ciętych, ręce i stopy należy trzymać z dala od narzędzia tnącego. Nigdy nie należy mocować poruszającego się narzędzia tnącego do ręki lub innej części ciała.

	Osoby postronne trzymaj z daleka	Należy zawsze pilnować, aby inni ludzie i zwierzęta domowe pozostawali w odległości co najmniej 15 m od pracujących nożyc do żywoplotu na wysięgniku.
	Chronić przed deszczem	Nie używaj podczas deszczu i nie zostawiaj na zewnątrz, gdy pada.
IPX4	Symbol IP	Zabezpieczenie przed dostaniem się wody do środka, stopień 4
	CE	Produkt jest zgodny z obowiązującymi dyrektywami WE.
	WEEE	Zużytych urządzeń elektrycznych nie należy wyrzucać razem ze zwykłymi odpadami domowymi. Należy je oddać do autoryzowanego punktu recyklingu.
	Hałas	Gwarantowany poziom mocy akustycznej. Emituje hałas do środowiska zgodnie z dyrektywą Wspólnoty Europejskiej.
V	Wolt	Napięcie
mm	Milimetr	Długość lub rozmiar
cm	Centymetr	Długość lub rozmiar
kg	Kilogram	Ciężar

WAŻNE INSTRUKCJE DOTYCZĄCE BEZPIECZEŃSTWA

⚠ OSTRZEŻENIE! Podczas używania elektronarzędzi ogrodowych, aby zmniejszyć ryzyko pożaru, porażenia prądem i obrażeń, należy zawsze przestrzegać podstawowych zasad bezpieczeństwa, w tym m.in. zaleceń podanych poniżej.

PRZECZYTAJ UWAŻNIE PRZED UŻYCIEM

ZACHOWAJ NA PRZYSZŁOŚĆ

⚠ NIEBEZPIECZEŃSTWO! Nie używaj w pobliżu przewodów elektroenergetycznych. Urządzenie nie zostało zaprojektowane do zapewniania ochrony przed porażeniem prądem w przypadku dotknięcia napowietrznych linii wysokiego napięcia. W sprawie bezpiecznych odległości od napowietrznych linii wysokiego napięcia patrz przepisy lokalne. Przed rozpoczęciem używania narzędzia należy dopilnować, aby miejsce użytkowania było bezpieczne i nie stwarzało zagrożeń.

OSTRZEŻENIA DOTYCZĄCE NOŻYC DO ŻYWOPLÓTU

⚠ NIEBEZPIECZEŃSTWO! Ręce należy trzymać z dala od ostrza. Dotknięcie ostrza doprowadzi do poważnych obrażeń ciała.

- Wszystkie części ciała należy trzymać z dala od ostrza tnącego. Gdy poruszają się noże ostrza, nie należy usuwać ani przytrzymywać przycinanych gałęzi. Zanim zaczniesz usuwać zakleszczone gałęzie należy upewnić się, że narzędzie jest wyłączone. Chwila nieuwagi w czasie posługiwania się nożycami do żywoplotu może spowodować poważne obrażenia.
- W maszynach z określoną pozycją transportową (ostrze tnące złożone na płasko wzdłuż trzonka nożyc do żywoplotu): nigdy nie wolno włączać maszyny w pozycji transportowej, ponieważ ostrza nie są w tej pozycji załączone i dlatego nie da się sprawdzić wzrokowo, czy ostrza zatrzymują się na luzie w momencie, gdy użytkownik zacznie ustawiać ostrze tnące w żądanej pozycji (w której ostrza będą załączone).
- Nożycy do żywoplotów należy nosić za uchwyt. Ostrze tnące powinno by zatrzymane. Na czas transportowania lub przechowywania nożyc do żywoplotu należy zawsze zakładać na ostrze osłonę. Właściwe obchodzenie się z nożycami do żywoplotu zmniejsza ryzyko obrażeń spowodowanych ostrzem tnącym.
- Podczas podnoszenia lub trzymania nożyc do żywoplotu nie należy chwycić za nieosłonięte noże lub krawędzie tnące.
- Elektronarzędzie należy trzymać za izolowane uchwyty, ponieważ ostrze tnące może natrafić na ukryte przewody. Dotknięcie ostrzem tnącym przewodu pod napięciem może spowodować, że przez nieizolowane elementy metalowe narzędzia popłynie prąd, co grozi operatorowi porażeniem.

PL

- **Przewód należy trzymać z dala od strefy cięcia.** W czasie używania narzędzia przewód może się schować w krzakach i może zostać przypadkowo przecięty ostrzem.
 - **Przed przystąpieniem do pracy należy sprawdzić żywoplot pod kątem przeszkód takich jak np. siatka ogrodzeniowa.**
 - **Aby zmniejszyć ryzyko urazów powstałych wskutek utraty kontroli, należy mieć absolutną pewność, że ostrze tnące nie zahacza o użytkownika ani żadne inne przeszkody lub przedmioty, łącznie z ziemią: gdy narzędzie zostanie włączone, prędkość silnika będzie wystarczająco duża, aby załączyć ostrze tnące i poruszyć nim w narzędziu.**
 - **W miejscu pracy nie mogą przebywać żadne osoby postronne.** Należy zawsze pilnować, aby inni ludzie i zwierzęta domowe pozostawali w odległości co najmniej 15 m od pracujących nożyc do żywoplotu na wysięgniku.
 - **Nigdy nie należy pozwalać dzieciom używać nożyc do żywoplotu.**
 - **Podczas pracy nożycy do żywoplotu należy trzymać obiema rękoma.** Używanie tylko jednej ręki mogłoby doprowadzić do utraty kontroli i spowodować poważne urazy ciała.
 - **Nie należy sięgać za daleko.** Należy zawsze dbać o utrzymanie równowagi i pewne podparcie nóg. Szczególną uwagę należy zachować, gdy jest ślisko (mokre podłoże, śnieg), a także w trudnym, porośniętym terenie. Należy uważać na ukryte przeszkody takie jak pniaki, korzenie i rowy oraz omijać opadłe gałęzie, chaszczki i ścinki. Szczególną ostrożność należy zachować podczas pracy na pochyłościach i na nierównym podłożu.
 - **Narzędzia nie należy używać na drabinie, dachu, drzewie lub w innych niestabilnych podłożach.** W nieprzewidzianych sytuacjach stabilne podparcie nóg i solidna powierzchnia zapewniają lepszą kontrolę nad nożycami.
 - **Należy przez cały czas obserwować ostrza tnące – nie należy ciąć w miejscach, których się nie widzi.** Podczas przycinania czubków wysokiego żywoplotu, należy często sprawdzać drugą stronę żywoplotu pod kątem osób postronnych, zwierząt i przeszkód.
 - **Przed dalszym używaniem nożyc do żywoplotu należy każdorazowo skontrolować uszkodzone części.** Należy kontrolować, czy części ruchome są dobrze do siebie dopasowane, czy swobodnie się poruszają, czy nie są pęknięte lub uszkodzone i czy są właściwie zamontowane. Należy też kontrolować wszystkie inne czynniki, które mogłyby wpływać na ich działanie.
 - **W regularnych odstępach czasu należy kontrolować właściwe dokręcenie śrub mocujących ostrze i silnik.** Należy też wzrokowo skontrolować ostrze pod kątem ewentualnych uszkodzeń (np. skrzywienie, pęknięcie i zużycie). Ostrze należy wymieniać tylko na ostrze EGO™.
 - **Jeżeli ostrze jest skrzywione lub pęknięte, należy je wymienić.** Nierówno wyważone ostrze powoduje drgania, które mogą uszkodzić silnik lub doprowadzić do urazów ciała.
 - **Jeśli urządzenie zaczyna nienormalnie wibrować, należy wyłączyć silnik i natychmiast sprawdzić, co jest przyczyną.** Wibracje są na ogół sygnałem ostrzegającym o problemach.
 - **Nożyc należy używać do cięcia gałązek o grubości do 26 mm.**
 - **Strzyżenie należy wykonywać tylko przy świetle dziennym lub przy dobrym oświetleniu sztucznym.**
 - **Akumulatorowych nożyc do żywoplotu nie należy używać w czasie deszczu.**
- ### DODATKOWE OSTRZEŻENIA
- **Akumulatora nie należy ładować na deszczu i miejscach wilgotnych.**
 - **W urządzeniu należy używać wyłącznie akumulatorów i ładowarek podanych na rys. A.**
 - **Przed użyciem akumulator należy wyjąć z urządzenia.**
 - **Akumulator należy zutylizować w sposób bezpieczny.**
 - **Akumulatorów nie należy wrzucać do ognia.** Ognia mogą wybuchnąć. Należy zapoznać się z przepisami lokalnymi pod kątem ewentualnych instrukcji w sprawie ich użycia.
 - **Akumulatora nie należy otwierać ani uszkadzać.** Uwolniony elektrolit jest żrący i może uszkodzić oczy i skórę. W przypadku połknięcia może być toksyczny.
- ⚠ UWAGA!** Elektrolit jest rozcieńczonym kwasem siarkowym i jako taki jest szkodliwy dla skóry i oczu. Jest substancją przewodzącą prąd i powoduje korozję.
- **Z akumulatorami należy obchodzić się ostrożnie.** Należy uważać, aby nie zerwać wyprowadzeń materiałami przewodzącymi takimi jak pierścienki, bransoletki i klucze. Akumulator lub przewodnik mogą się przegrzać i spowodować oparzenia.

- Narzędzia akumulatorowe nie wymagają podłączenia do kontaktu elektrycznego i dlatego są zawsze gotowe do pracy. Należy więc mieć świadomość możliwych zagrożeń, występujących nawet wtedy, gdy narzędzie nie jest używane. Podczas wykonywania czynności konserwacyjnych lub serwisowych należy zachować ostrożność.
- Przed serwisowaniem, czyszczeniem lub usuwaniem materiału z narzędzia należy wyjąć akumulator.
- Części zamienne - Podczas serwisowania należy używać wyłącznie części zamiennych EGO identycznych z oryginalnymi. Użycie jakichkolwiek innych akcesoriów lub elementów dodatkowych zwiększa ryzyko urazów.
- Serwisowanie urządzenia należy powierzyć wykwalifikowanemu technikowi, a do naprawy używać wyłącznie części zamiennych identycznych z oryginalnymi. Zapewni to bezpieczeństwo eksploatacji narzędzia elektrycznego.
- Nie należy czyścić urządzenia wężem; należy unikać zachlapywania wodą silnika i połączeń elektrycznych.
- Narzędzie należy przechowywać w suchym miejscu, położonym wysoko lub zamykanym na klucz, tak aby było ono niedostępne dla dzieci.
- W sytuacjach, które nie zostały przewidziane w niniejszej instrukcji należy zachować ostrożność i kierować się własnym zdrowym rozsądkiem. W celu uzyskania pomocy prosimy skontaktować się z centrum serwisowym EGO.
- Prosimy zachować instrukcję. Zachęcamy do częstego korzystania z niej. Instrukcja może też posłużyć do przeszkolenia innych osób, które będą używały narzędzia. Jeśli narzędzie zostanie komuś pożyczone, osobie tej należy również udostępnić niniejszą instrukcję, aby zapobiec niewłaściwemu użytkowaniu i możliwym urazom.

INSTRUKCJI NIE NALEŻY WYRZUCAĆ

UWAGA: DODATKOWE, SZCZEGÓŁOWE ZASADY BEZPIECZEŃSTWA PODANO W INSTRUKCJI OPERATORA GŁOWICY UNIWERSALNEJ.

SPECYFIKACJE

Długość ostrza	51 cm	
Grubość cięcia	26 mm	
Waga (bez akumulatora)	2,20 kg	
Zalecana temperatura pracy	0°C-40°C	
Zalecana temperatura składowania	-20°C-70°C	
Mierzony poziom mocy akustycznej L_{WA}	92,3 dB(A) K=2,72 dB(A)	
Poziom ciśnienia dźwięku przy uchu operatora L_{PA}	80,4 dB(A) K=3 dB(A)	
Gwarantowany poziom mocy akustycznej L_{WA} (zgodnie z 2000/14/EC)	95 dB(A)	
Drgania a_n	Przedni uchwyt pomocniczy	4,9 m/s ² K=1,5 m/s ²
	Uchwyt tylny	6,7 m/s ² K=1,5 m/s ²

- Powyższe parametry są testowane i mierzone na głowicy uniwersalnej PH1400E.
- Deklarowana całkowita wartość wibracji została zmierzona zgodnie ze standardowymi metodami testowania i może być używana do porównywania różnych narzędzi;
- Deklarowana całkowita wartość wibracji może również być używana do wstępnej oceny narażenia na drgania.

UWAGA: Emisja dźwięku podczas rzeczywistego stosowania elektronarzędzia może różnić się od deklarowanej wartości, w której narzędzie jest używane; aby się zabezpieczyć, użytkownik powinien nosić rękawice i ochronniki na uszy w rzeczywistych warunkach użytkowania.

LISTA ELEMENTÓW W OPAKOWANIU

NAZWY CZĘŚCI	ILOŚĆ
Końcówka nożyce do żywopłotu na wysięgniku	1
Klucz	1
Oslona na ostrze	1
Instrukcja użytkownika	1

OPIS

POZNAJ KOŃCÓWKĘ NOŻYCE DO ŻYWOPLÓTU NA WYSIĘGNIKU (Rys. A)

1. Ostrze tnące
2. Kwadrant
3. Spust
4. Trzonek nożyc do żywoplotu na wysięgniku
5. Miękką tuleją
6. Zaślepka
7. Dźwignia regulacyjna
8. Obudowa przekładni
9. Klucz
10. Osłona na ostrze
11. Osłona czubka (opcjonalna, SPRZEDAWANA OSOBNO)

MONTAŻ

⚠️ OSTRZEŻENIE: W przypadku braku lub uszkodzenia którejś z części nie należy uruchamiać urządzenia aż do momentu wymiany lub naprawy części. Używanie urządzenia z uszkodzonymi lub brakującymi częściami może doprowadzić do poważnych urazów ciała.

⚠️ OSTRZEŻENIE: Nie należy próbować przerabiać produktu lub tworzyć akcesoriów, które nie są zalecane do używania w okrzesywarce na wysięgniku. Wszelkie tego typu zmiany lub modyfikacje są niedozwolone i mogą prowadzić do niebezpiecznych sytuacji oraz poważnych urazów ciała.

⚠️ OSTRZEŻENIE: Nigdy nie należy zakładać ani regulować jakichkolwiek końcówek, gdy głowica uniwersalna pracuje lub z założonym akumulatorem. Niewyłączenie silnika i niewyjęcie akumulatora może spowodować poważne urazy ciała.

REGULACJA OSTRZA TNĄCEGO

Gdy nożyce do żywoplotu na wysięgniku zostaną wyjęte z opakowania, są złożone w pozycji przechowywania, w której ostrze tnące przylega do trzonka (Rys. B). Zaleca się, aby przed podłączeniem głowicy uniwersalnej ustawić ostrze tnące w odpowiedniej pozycji roboczej.

Istnieje 12 możliwych pozycji roboczych. Kąt cięcia ostrza tnącego można regulować w górę 5-stopniowo od 0° (prosto) do 45°, łącznie z kątem 0° oraz w dół 7-stopniowo od 0° do 90° (w dół pod kątem prostym), bez kąta 0° (Rys. C).

1. Nacisnąć spust na dźwigni regulacji i jednocześnie obrócić dźwignię regulacji w celu ustawienia ostrza tnącego na żądanej pozycji cięcia (Rys. D).

2. Po uzyskaniu żądanej pozycji puścić spust. Słyszalne kliknięcie oznacza, że bolec blokujący zaskoczył w kwadrancie na odpowiednie miejsce (Rys. D).

Rys. D – Opis części patrz poniżej:

D-1	Kwadrant
D-2	Bolec blokujący

⚠️ OSTRZEŻENIE: Aby zmniejszyć ryzyko urazów, regulację należy wykonywać tylko wtedy, gdy ostrza tnące nie poruszają się. Nigdy nie należy dotykać ostrzy tnących podczas regulacji.

⚠️ OSTRZEŻENIE: Aby zmniejszyć ryzyko urazów, należy zawsze zatrzymać narzędzie i nakładać osłonę ostrza przed przesunięciem ostrza tnącego w pozycję przechowywania lub z pozycji przechowywania do zwykłej pozycji roboczej.

PODŁĄCZANIE/ODŁĄCZANIE KOŃCÓWKI NOŻYCE DO ŻYWOPLÓTU NA WYSIĘGNIKU DO GŁOWICY UNIWERSALNEJ

Ta końcówka nożyce do żywoplotu na wysięgniku została zaprojektowana do używania z głowicą uniwersalną EGO model PH1400E z akumulatorem LITOWO JONOWYM 56 V. Oprócz cięcia od góry, w nożycach do żywoplotu na wysięgniku występuje też pozycja cięcia z boku, przeznaczona do podłączania głowicy uniwersalnej (Rys. E). Szczegółowe informacje nt. technik roboczych – patrz część „TECHNIKI PRACY” w niniejszej instrukcji.

Rys. E – Opis części patrz poniżej:

E-1	Pozycja cięcia od góry
E-2	Pozycja cięcia z boku

Informacje nt. zakładania końcówki – patrz część „ZAKŁADANIE KOŃCÓWKI NOŻYCE DO ŻYWOPLÓTU NA WYSIĘGNIKU NA GŁOWICĘ UNIWERSALNĄ” w instrukcji do głowicy uniwersalnej PH1400E.

Informacje nt. zdejmowania końcówki z głowicy – patrz część „ZDEJMOWANIE KOŃCÓWKI NOŻYCE DO ŻYWOPLÓTU NA WYSIĘGNIKU Z GŁOWICY UNIWERSALNEJ” w instrukcji do głowicy uniwersalnej PH1400E.

MONTAŻ OSŁONY CZUBKA (opcja)

1. Używając klucza imbusowego, odkręcić krótką śrubę, podkładkę płaską, tuleję i nakrętkę na końcu ostrza tnącego (Rys. F). Zachować podkładkę płaską, tuleję i nakrętkę do ponownego montażu.

Rys. F – Opis części patrz poniżej:

F-1	Nakrętka	F-3	Podkładka płaska
F-2	Tuleja	F-4	Krótką śruba

2. Wyrównać osłonę czubka względem wybrzuszenia na ostrzu tnącym i zamontować. Dokręcić nową długą śrubą i nakrętką oraz starą podkładką, tuleją i nakrętką (Rys. G).

G-1	Nakrętka	G-4	Tuleja
G-2	Oslona czubka	G-5	Podkładka płaska
G-3	Nakrętka	G-6	Długa śruba

OBŚLUGA

⚠ NIEBEZPIECZEŃSTWO: Nigdy nie należy niczego piłować w pobliżu przewodów elektroenergetycznych, kabli elektrycznych lub innych źródeł elektryczności. Jeżeli ostrza tnące zatną się na jakimkolwiek kablu lub przewodzie elektrycznym, **NIE WOLNO DOTYKAĆ OSTRZA TNĄCEGO ANI ALUMINIOWEGO WYSIĘGNIKA! ELEMENTY TE MOGĄ BYĆ POD NAPIĘCIEM I MOGĄ BYĆ BARDZO NIEBEZPIECZNE.** Należy nadal trzymać nożyce do żywoplotu na wysięgniku za izolowany uchwyt tylny lub odłożyć je w bezpieczny sposób. Następnie trzeba wyłączyć zasilanie przewodu/kabla. Dopiero potem można próbować wyplątać ostrze tnące z przewodu lub kabla. Dotknięcie ostrza tnącego lub innych części przewodzących nożyc do żywoplotu na wysięgniku lub kabli lub przewodów elektrycznych pod napięciem może doprowadzić do śmierci wskutek porażenia prądem lub do poważnych urazów.

⚠ OSTRZEŻENIE: Nawet po zaznajomieniu się z narzędziem, zachowaj ostrożność. Pamiętaj, że wystarczy ułamek sekundy nieuwagi, aby doszło do poważnego zranienia.

⚠ OSTRZEŻENIE: Noś zawsze okulary ochronne z bocznymi osłonami. Na skutek nieprzestrzeżenia tego zalecenia może dojść do odrzutu obcego ciała do oczu, co grozi poważnym skałeczeniem oka.

Przed każdym użyciem należy skontrolować cały produkt pod kątem ewentualnych uszkodzeń, brakujących lub poluzowanych części takich jak śruby, nakrętki, kolpaki i korki itp. Wszystkie elementy mocujące i kolpaki należy mocno dokręcić. Produktu nie należy włączać do czasu aż wszystkie brakujące lub uszkodzone części nie zostaną wymienione.

⚠ OSTRZEŻENIE: Aby uniknąć poważnych obrażeń ciała, przed serwisowaniem, czyszczeniem, wymianą osprzętu dodatkowego oraz usuwaniem materiału należy zawsze wyjmować z narzędzia akumulator.

Po każdym użyciu należy wyczyścić narzędzie.

Instrukcje dotyczące czyszczenia – patrz część zatytułowana Konserwacja.

ZASTOSOWANIA

Produktu można używać do przycinania żywoplotów, krzewów, krzaków itp. o średnicy gałęzi do Ø26 mm.

UWAGA: Narzędzia należy używać tylko do celów zgodnych z przeznaczeniem. Wszelkie inne zastosowania uznaje się za niezgodne z przeznaczeniem.

UŻYWANIE KOŃCÓWKI NOŻYCE DO ŻYWOPLITU NA WYSIĘGNIKU ZAŁOŻONEJ NA GŁOWICĘ UNIWERSALNĄ

⚠ OSTRZEŻENIE: Aby ograniczyć ryzyko obrażeń, podczas pracy narzędziem należy nosić odpowiednią odzież. Nie należy nosić luźnych ubrań ani biżuterii. Należy nosić środki ochrony oczu i ochronniki słuchu. Należy nosić ciężkie długie spodnie, solidne buty i rękawice. Nie należy nosić krótkich spodni lub sandałów ani używać narzędzia na bosą stopę.

PRZYGOTOWANIE DO CIĘCIA:

1. Ustawić ostrze tnące w żądanej pozycji płacy.
2. Zdjąć osłonę ostrza z ostrza tnącego.
3. Aby bezpieczniej i lepiej pracować narzędziem, należy przełożyć przez ramię pasek na ramię. Pasek wyregulować w taki sposób, aby zagwarantować wygodną pozycję pracy. Założyć pasek na ramię na głowicę uniwersalną zgodnie z instrukcjami podanym części „MONTAŻ PASKA NA RAMIĘ” w instrukcji operatora PH1400E.

⚠ OSTRZEŻENIE: Pasek na ramię jest także mechanizmem szybkiego odcepienia w niebezpiecznych sytuacjach. W sytuacji awaryjnej należy go natychmiast zdjąć z ramienia, niezależnie od sposobu założenia paska.

TECHNIKI PRACY

- **Cięcie poziomo (z ostrzem tnącym ustawionym pod kątem):** Ciąć blisko przy ziemi w pozycji stojącej, np. niskie krzewy.

Przemiatać ostrzem tnącym w górę i w dół po łuku w miarę posuwania się wzdłuż żywoplotu – używać obu stron ostrzy tnących, nie opierać ich na ziemi (Rys. H).

- **Cięcie poziomo (prostym ostrzem tnącym):** Trzymać ostrze tnące pod kątem od 0° do 10° i poziomo przemiatać nożycami do żywoplotu na wysięgniku. Poruszać ostrzem tnącym po łuku, w kierunku na zewnątrz, tak aby ścinki zostały zmiecione na ziemię (Rys. I i J i K).

Zalecenie: Należy przycinać tylko te żywoploty, które nie sięgają powyżej poziomu klatki piersiowej użytkownika.

- **Cięcie pionowo (z ostrzem tnącym ustawionym pod kątem):** Należy ciąć w taki sposób, aby nie trzeba było stać bezpośrednio na żywoplotcie np. tak, aby między żywoplotem a operatorem znajdował się klomb.

W tej pozycji cięcia, aby lepiej kontrolować nożyce, zaleca się, aby podłączyć nożyce do głowicy uniwersalnej w pozycji cięcia bocznego (patrz Rys. E).

Przebiatać ostrzem tnącym w górę i w dół po łuku w miarę posuwania się wzdłuż żywoplotu – używać obu stron ostrza tnącego (Rys. L).

- **Cięcie pionowo (prostym ostrzem tnącym):** Bardzo duży zasięg bez żadnego osprzętu dodatkowego.

Przebiatać ostrzem tnącym w górę i w dół po łuku w miarę posuwania się wzdłuż żywoplotu – używać obu stron ostrza tnącego (Rys. M).

- **Cięcie nad głową (z ostrzem tnącym ustawionym pod kątem):**

Nożyce do żywoplotu należy trzymać pionowo i wykonywać nimi ruchy po łuku, tak aby wykorzystać maksymalny zasięg narzędzia (Rys. N). W przypadku wyjątkowo wysokich żywoplotów, można używać trzonka przedłużającego.

⚠ OSTRZEŻENIE: Każda pozycja robocza wymagająca pracy nad głową jest męcząca. Aby zminimalizować ryzyko wypadku, praca w takiej pozycji powinna być wykonywana tylko przez krótki czas. Kąt regulowanego ostrza tnącego należy wtedy ustawić na maksymalny, tak aby narzędzie można było trzymać w niższej, mniej męczącej pozycji (na pasku na ramieniu), przy jednoczesnym zachowaniu wymaganego zasięgu.

WŁĄCZANIE/WYŁĄCZANIE NARZĘDZIA

Więcej informacji – patrz część „WŁĄCZANIE/WYŁĄCZANIE GŁOWICY UNIERSALNEJ” w instrukcji do głowicy uniwersalnej PH1400E.

KONSERWACJA

⚠ OSTRZEŻENIE: Przed kontrolą, czyszczeniem lub serwisowaniem urządzenia należy wyłączyć silnik, odczekać aż wszystkie poruszające części zatrzymają się i wyjąć akumulator. Niezastosowanie się do powyższych instrukcji może doprowadzić do poważnych obrażeń ciała lub do uszkodzenia mienia.

⚠ OSTRZEŻENIE: Podczas serwisowania należy używać wyłącznie części zamiennych identycznych z oryginalnymi. Używanie jakichkolwiek innych części stwarza ryzyko i może spowodować usterkę produktu. Aby zagwarantować bezpieczeństwo i niezawodność, wszystkie naprawy powinny być wykonywane przez wykwalifikowanych techników serwisu.

KONSERWACJA OGÓLNA

Podczas czyszczenia części plastikowych należy unikać używania rozpuszczalników. Pod wpływem kontaktu z różnego rodzaju rozpuszczalnikami dostępnymi w handlu większość tworzyw może ulec uszkodzeniu. Do usuwania zabrudzeń, kurzu, oleju, smaru itp. należy używać czystych ściereczek.

CZYSZCZENIE URZĄDZENIA

- Do usuwania zanieczyszczeń z wlotów powietrza i z ostrza tnącego należy używać miękkiej szczoteczki.
- W celu usunięcia smoły i innych lepjących się osadów należy spryskać noże rozpuszczalnikiem do żywicy. Aby równomiernie rozprzecznić rozpuszczalnik, wystarczy na chwilę włączyć silnik.
- Do czyszczenia części plastikowych lub uchwytu nie należy używać jakichkolwiek silnych detergentów. Mogą one zostać uszkodzone przez niektóre olejki aromatyczne, takie jak olejek sosnowy i cytrynowy oraz przez rozpuszczalniki takie jak nafta. Wilgoć może także spowodować porażenie prądem. Wszelką wilgoć należy wycierać miękką suchą ściereczką. Do czyszczenia narzędzia nigdy nie należy używać wody.

OSTRZENIE OSTRZA TNĄCEGO

Gdy zmniejszy się wydajność cięcia i zachowanie narzędzia znacznie się pogarsza, tzn. ostrza będą się często zacięły na gałęziach: ostrza tnące należy naostrzyć.

Zaleca się, aby ostrzenie ostrzy tnących przeprowadzał tylko wykwalifikowany technik serwisu.

⚠ UWAGA: Nie należy używać nożyc z tępyimi lub uszkodzonymi nożami. Mogłoby to doprowadzić do przecięcia narzędzia i spowodować, że efekty strzyżenia byłyby niezadowalające.

SMAROWANIE OSTRZA

Aby zapobiec rdzewieniu, zaleca się smarować ostrza olejem zapobiegającym rdzewieniu, gdy ostrze jest przechowywane przez długi czas.

⚠ OSTRZEŻENIE: Noże są ostre. Prace przy ostrzu z nożami, należy wykonywać w antypoślizgowych solidnych rękawicach ochronnych. Nie należy wkładać dłoni lub palców między noże lub w jakiegokolwiek inne miejsce, w którym mogłyby zostać przytrażnione lub skaleczone. NIGDY nie należy dotykać noży lub wykonywać czynności serwisowych, gdy w urządzeniu jest zainstalowany akumulator.

SMAROWANIE PRZEKŁADNI TRANSMISYJNEJ

Przekładnia transmisyjna wymaga okresowego smarowania smarem do przekładni. Co 50 godzin pracy, należy kontrolować stan smaru w obudowie przekładni: w tym celu należy zdjąć śrubę uszczelniającą na obudowie przekładni. Są trzy śruby uszczelniające: po jednej po bokach i dwie na górze.

Jeśli po bokach przekładni nie widać w ogół smaru, należy wykonać kroki podane poniżej w celu napełnienia obudowy smarem do 3/4 pojemności.

Przekładni transmisyjnej nie należy całkowicie napełniać.

1. W zależności od tego, które śruba ma zostać usunięta, trzonek nożyc należy przytrzymać z boku lub na tylnej ścianie obudowy, tak aby śruba uszczelniająca do usunięcia była skierowana do góry (Rys. O & P).
2. Dostarczonym kluczem odkręcić i zdjąć śrubę uszczelniającą.
3. Użyć strzykawki olejowej (do dokupienia osobno), aby wstrzyknąć odrobinę smaru w otwór na śrubę; nie przekraczać 3/4 pojemności.
4. Po wstrzyknięciu smaru dokręcić śrubę uszczelniającą.

PRZECHOWYWANIE URZĄDZENIA

- Wyjąć akumulator z narzędzia.
- Przed schowaniem dokładnie wyczyścić narzędzie.
- Przed schowaniem lub transportowaniem nałożyć na ostrze osłonę na ostrze. Aby nie skaleczyć się ostrymi zębami ostrza, prosimy zachować ostrożność.
- Jeśli końcówka nożyce do żywopłotu ma być zdjęta z głowicy uniwersalnej i przechowywana osobno, należy założyć zaślepkę na wałek końcówki, aby nie dopuścić do zbierania się na łączówce brudu.
- Urządzenie należy przechowywać w suchym i przewiewnym miejscu niedostępnym dla dzieci: albo pod kluczem, albo wystarczająco wysoko. Urządzenia nie należy używać na nawozach lub w ich pobliżu, to samo dotyczy podłoży zanieczyszczonych benzyną i substancjami chemicznymi.

Ochrona środowiska



Nie wyrzucaj elektrycznego sprzętu, ładowarek do baterii i baterii. akumulatorów z odpadami gospodarstwa domowego!

Zgodnie z dyrektywą europejską 2012/19/EG, sprzęt elektryczny i elektroniczny, który nie nadaje się już do użytku i zgodnie z europejską dyrektywą 2006/66/WG, wadliwe lub zużyte baterie i akumulatory muszą być zbierane oddzielnie.

Wyrzucenie urządzeń elektrycznych na wysypisko grozi wyciekami niebezpiecznych substancji do wód gruntowych i przedostaniem się ich do łańcucha pokarmowego, ze szkodą dla zdrowia i jakości życia użytkownika.

ROZWIĄZYWANIE PROBLEMÓW

PROBLEM	PRZYCZYNA	ROZWIĄZANIE
Nożyce do żywopłotu na wysięgniku nie działają.	<ul style="list-style-type: none"> ■ Do nożyc nie podłączono akumulatora. ■ Nożyce i akumulator nie kontaktują. ■ Akumulator jest wyczerpany. ■ Przycisk zwalniania blokady nie jest wciśnięty przed wciśnięciem przełącznika spustowego. ■ Akumulator lub głowica uniwersalna są zbyt gorące. ■ Ostrze zablokowało się. ■ Nożyce do żywopłotu (na wysięgniku) nie są podłączone do głowicy uniwersalnej. 	<ul style="list-style-type: none"> ■ Podłączyć akumulator do nożyc do żywopłotu (na wysięgniku). ■ Wyjmij akumulator, sprawdź styki i zamontuj ponownie akumulator, ■ Naładować akumulator. ■ Aby włączyć narzędzie, wcisnąć i przytrzymać dźwignię odblokowującą, a następnie nacisnąć spust. ■ Pozwolić, aby akumulator lub głowica ostygły do temperatury poniżej 67°C . ■ Wyjąć akumulator z narzędzia. Ostrożnie usunąć to, co blokuje narzędzie i ponownie włożyć akumulator do narzędzia. ■ Odłączyć nożyce do żywopłotu od głowicy uniwersalnej. Podłączyć je zgodnie z opisem w części „ZAKŁADANIE KOŃCÓWKI NA GŁOWICĘ UNIWERSALNĄ” w instrukcji do głowicy uniwersalnej PH1400E.
Nadmierne drgania lub hałas.	<ul style="list-style-type: none"> ■ Suche lub skorodowane noże. ■ Wygięte noże lub wspornik noży. ■ Wygięte lub uszkodzone zęby. ■ Poluzowane śruby ostrza. 	<ul style="list-style-type: none"> ■ Nasmarować ostrza. ■ Wymienić ostrze lub wspornik na nowe. Skontaktować się z punktem serwisowy EGO w celu wymiany ostrza lub wspornika. ■ Wymienić ostrze lub wspornik na nowe. Skontaktować się z punktem serwisowy EGO w celu wymiany ostrza lub wspornika. ■ Dokręcić śruby ostrza. Dokręcić śrubę kluczem (zestaw nie zawiera klucza), kręcić w prawo (zgodnie z kierunkiem ruchu wskazówek zegara).

PL

GWARANCJA

POLITYKA GWARANCYJNA EGO

W celu zapoznania się z wszystkimi warunkami polityki gwarancyjnej EGO prosimy odwiedzić stronę egopowerplus.com.

PŘEČTĚTE SI VŠECHNY POKYNY!



Přečtěte Si Návod K Obsluze

⚠ Zbytkové riziko! Lidé s elektronickými přístroji, jako jsou např. kardiostimulátory, by se měli před použitím toho výrobku poradit se svým lékařem. Použití elektrického zařízení v těsné blízkosti kardiostimulátoru může způsobit narušení činnosti nebo poruchu kardiostimulátoru.

⚠ VAROVÁNÍ: Z důvodu bezpečnosti by měl všechny opravy a výměny provádět kvalifikovaný servisní technik.

BEZPEČNOSTNÍ SYMBOLY

Účelem bezpečnostních symbolů je upoutat vaši pozornost k případným nebezpečím. Bezpečnostní symboly a jejich vysvětlení vyžadují vaši zvýšenou pozornost a porozumění. Výstražné symboly samy o sobě nevylučují žádné nebezpečí. Pokyny a varování nejsou náhradou vhodných opatření pro prevenci úrazů.

⚠ VAROVÁNÍ: Před použitím tohoto nástroje si přečtěte a seznáme se se všemi bezpečnostními pokyny v tomto návodu k obsluze včetně veškerých výstražných symbolů, jako např. „**NEBEZPEČÍ**“, „**VAROVÁNÍ**“ nebo „**UPOZORNĚNÍ**“. Nedodržení níže uvedených pokynů může mít za následek úraz elektrickým proudem, požár a nebo vážná poranění osob.

VÝZNAM SYMBOLŮ

⚠ BEZPEČNOSTNÍ VÝSTRAŽNÉ SYMBOLY: Upozorňují na **NEBEZPEČÍ**, **VAROVÁNÍ**, nebo **UPOZORNĚNÍ**. Lze je používat ve spojení s jinými symboly nebo piktogramy.



⚠ UPOZORNĚNÍ: Při použití elektrického nářadí může dojít k vymrštění cizích těles do očí, což může způsobit jejich závažné poškození. Před použitím elektrického nářadí si vždy nasadte ochranné brýle, ochranné brýle s bočními kryty nebo v případě potřeby obličejový štít. Na brýle nebo standardní ochranné brýle s bočními kryty doporučujeme použít ochrannou masku.

BEZPEČNOSTNÍ POKYNY

Na této stránce jsou zobrazeny a popsány bezpečnostní symboly, které se mohou objevit na výrobku. Před montáží a provozem si přečtěte, seznáme se a dodržujte veškeré pokyny ke stroji.

	Bezpečnostní upozornění	Upozorňuje na možné riziko úrazu.
	Přečtěte Si Návod K Obsluze	Z důvodu snížení rizika úrazu si musí uživatel před použitím tohoto výrobku přečíst a seznámit se s návodem k obsluze.
	Používejte ochranu očí	Vždy noste ochranné brýle, ochranné brýle s bočními kryty nebo obličejový štít při použití tohoto výrobku.
	Používejte ochranu hlavy	K ochraně hlavy používejte schválenou pevnou ochrannou přilbu.
	Používejte ochranu sluchu.	Při práci s tímto výrobkem vždy používejte chrániče sluchu.
	Délka lišty	Délka lišty
	Krájení Kapacita	Max. řezný výkon lišty
	Udržujte ruce a nohy v bezpečné vzdálenosti od řezacího nástroje.	Nikdy se nepokoušejte ovládat nářadí jednou rukou. Při ztrátě kontroly nad elektrickým nářadím může dojít k vážnému nebo smrtelnému zranění. Aby se snížilo riziko pořezání, udržte ruce a nohy v bezpečné vzdálenosti od řezného nástroje. Nikdy nepřipojujte pohyblivý se řezný nástroj rukou nebo jakoukoliv jinou částí těla.

CZ

	Udržujte ostatní osoby v bezpečné vzdálenosti	Když tyčové plotové nůžky používáte, udržujte od ostatních osob a domácích zvířat bezpečnou vzdálenost aspoň 15 m.
	Nevystavujte ji dešti.	Nepoužívejte ani nenechávejte venku v dešti.
IPX4	Symbol IP	Ochrana proti vniknutí vody stupeň 4
	CE	Tento výrobek je v souladu s platnými směnicemi ES.
	WEEE	Odpadní elektrické výrobky se nesmí likvidovat s domovním odpadem. Odevzdejte do autorizovaného recyklačního střediska.
	Hlučnost	Garantovaná hladina akustického výkonu. Emise hluku do prostředí dle direktivy Evropského společenství.
V	Voltů	Napětí
mm	Milimetr	Délka nebo velikost
cm	Centimetr	Délka nebo velikost
kg	Kilogram	Hmotnost nůžek

DŮLEŽITÉ BEZPEČNOSTNÍ POKYNY

VAROVÁNÍ! Při používání elektrických zahradnických zařízení je nutné vždy dodržovat základní bezpečnostní opatření pro zamezení rizika požáru, úrazu elektrickým proudem a poranění osob včetně následujícího:

ČTĚTE PEČLIVĚ PŘED POUŽITÍM

USCHOVEJTE PRO BUDOUCÍ POUŽITÍ

NEBEZPEČÍ! Nepracujte v blízkosti elektrického vedení. Přístroj nebyl navržen tak, aby poskytoval ochranu před úrazem elektrickým proudem v případě kontaktu s nadzemním elektrickým vedením. Seznamte se s místními předpisy pro bezpečné vzdálenosti od nadzemního elektrického vedení a zajistěte, aby pracovní poloha byla bezpečná a zabezpečená před zapnutím nástroje.

BEZPEČNOSTNÍ VAROVÁNÍ PRO PLOTOVÉ NŮŽKY

NEBEZPEČÍ! Udržujte ruce v bezpečné vzdálenosti od lišty. Kontakt s lištou bude mít za následek vážné zranění.

- Udržujte všechny části těla v bezpečné vzdálenosti od střížné lišty. Neodstraňujte řezaný materiál ani jej nedržte, pokud je lišta v pohybu. Při odstraňování uvizlého materiálu dbejte, aby byl spínač vypnutý. Jediná chvilka nepozornosti při práci s plotovými nůžkami může mít za následek vážný úraz.
- Stroje s určenou přepravní polohou (střížná lišta naplocho proti hřídelti plotových nůžek): Nikdy nespouštějte stroj v přepravní poloze, protože lišty nejsou zapojené v této pozici a nemůžete proto vizuálně zkontrolovat, že se zastaví při volnoběhu, když začnete nastavovat střížnou lištu do požadované řezné polohy (ve které jsou lišty zapojené).
- Plotové nůžky přenášejte za rukojeť se zastavenou střížnou lištou. Při přípravě nebo skladování plotových nůžek vždy nasadte kryt stříhacího zařízení. Správná manipulace s plotovými nůžkami sníží možné riziko úrazu střížnou lištou.
- Plotové nůžky nezdvíhejte ani nedržte za odhalenou střížnou lištu nebo za nože.
- Elektrické nářadí držte pouze za izolované části rukojeti, protože střížná lišta se může dostat do kontaktu se skrytým vedením. Střížná lišta, která se dostane do kontaktu s „živým“ vodičem, může způsobit, že se nechráněné kovové části nářadí stanou „živé“ a tak mohou způsobit obsluhu úraz elektrickým proudem.
- Kabel udržujte mimo prostor stříhání. Při práci se může kabel skrýt v keři a může dojít k neúmyslnému přestříhnutí lištou.
- Před zahájením práce zkontrolujte, zda v nůžkách nejsou cizí tělesa, např. drátěný plot.
- Aby se snížilo riziko zranění v důsledku ztráty kontroly, musíte si být absolutně jisti, že střížná lišta nezasáhne vás a taky žádné další překážky a objekty, včetně země, protože při spuštění nástroje jsou otáčky motoru dostatečně rychlé, aby spustili pohyb střížné lišty na nářadí.

- **Neumožněte dalším osobám být v obecné pracovní oblasti.** Když tyčové plotové nůžky používáte, udržujte od ostatních osob a domácích zvířat bezpečnou vzdálenost aspoň 15 m.
 - **Nikdy nedovolte dětem pracovat s plotovými nůžkami.**
 - **Při práci s plotovými nůžkami používejte obě ruce. Použití jen jedné ruky může vést ke ztrátě kontroly a může způsobit vážný úraz.**
 - **Nepřečeňujte se. Vždy udržujte pevný postoj a rovnováhu. Zvláštní pozornost musí být věnována na kluzkém povrchu (mokrý vozovec, sníh) a v obtížném zarostlém terénu. Dávejte si pozor na skryté překážky, jako jsou pařezy, kořeny a příkopy a vyhýbejte se spadlým větvím, křovinám a řízkům. Buďte velmi opatrní při práci na svazích nebo nerovném terénu.**
 - **Zařízení nepoužívejte na žebříku, střeše, stromě a jiných nestabilních opěrách.** Stabilní postoj a pevný povrch vám umožní lepší ovládnání plotových nůžek v nečekaných situacích.
 - **Střížnou lištu mějte stále na dohled - neprovádějte řezy v jakékoli oblasti, ve které nelze vidět. Při řezání vrcholu vyššího živého plotu často kontrolujte druhou stranu plotu na kolemstojící osoby, zvířata nebo překážky.**
 - **Před dalším použitím plotových nůžek zkontrolujte poškozené díly. Zkontrolujte seřízení pohyblivých částí, spojení pohyblivých částí, poškození částí, sestavení a další podmínky, které mohou ovlivnit jeho provoz.**
 - **V pravidelných intervalech kontrolujte správné utažení upevňovacích šroubů nože a motoru. Rovněž vizuálně zkontrolujte, zda není poškozen nůž (např. ohnutý, prasklý nebo opotřebovaný). Lištu vyměňte pouze za originální lištu značky EGO™.**
 - **Lištu vyměňte, pokud je ohnutá nebo prasklá. Nevyvážená lišta způsobuje vibrace, které mohou poškodit hnací motorovou jednotku, nebo způsobit úraz.**
 - **Pokud začne zařízení abnormálně vibrovat, zastavte motor a okamžitě vyhledejte příčinu. Vibrace obvykle upozorňují na problém.**
 - **Nůžky se používají ke stříhání větví ušších než 26 mm.**
 - **Stíhajte pouze za denního světla nebo při dobrém umělém osvětlení.**
 - **Nepoužívejte akumulátorové plotové nůžky v dešti.**
- DALŠÍ VAROVÁNÍ**
- **Akumulátor nenabíjete v dešti nebo na mokřém místě. Používejte pouze akumulátory a nabíječky uvedené na obr. A.**
 - **Před likvidací vyjměte ze zařízení akumulátor.**
 - **Akumulátor likvidujte bezpečným způsobem.**
 - **Akumulátory nevhazujte do ohně.** Články mohou vybuchnout. O zvláštních pokynech pro likvidaci se informujte v místních právních předpisech.
 - **Akumulátor neotvírejte ani nezhodnocujte.** Uniklý elektrolyt je žíravý a může způsobit poškození očí nebo kůže. Při požití může být toxický.
- ⚠ VÝSTRAHA!** Elektrolyt je zředěná kyselina sírová, která je škodlivá pro pokožku a oči. Je elektricky vodivá a korozivní.
- **Při manipulaci s akumulátory dbejte, aby nedošlo ke zkratu akumulátoru vodivými materiály, jako např. prsteny, náramky nebo klíče.** Akumulátor nebo vodič se mohou přehřát a způsobit popáleniny.
 - **Akumulátorové nářadí se nemusí zapojovat do elektrické zásuvky, proto jsou vždy v provozním stavu.** Nezapomínejte na možná rizika ani v případě, že je nářadí vypnuté. Dávejte pozor při provádění údržby nebo opravy.
 - **Před servisem, čištěním nebo odstraňováním materiálu z nástroje vyjměte akumulátor.**
 - **Náhradní díly** – Při opravách používejte pouze originální náhradní díly společnosti EGO. Použití jiného příslušenství nebo nástavců může zvýšit riziko úrazu.
 - **Svěřte opravu vašeho nářadí kvalifikované osobě používající pouze shodné náhradní díly.** Tím zajistíte bezpečnost elektrického nářadí.
 - **Nemyjte hadicíc; dbejte, aby se do motoru a elektrických přípojek nedostala voda.**
 - **Uložte nástroj na suchém a vyvýšeném či uzamčeném místě mimo dosah dětí.**
 - **Pokud nastane situace, která není popsána v tomto návodu, použijte pečlivý a zdravý úsudek. Obráťte se na servisní středisko EGO se žádostí o pomoc.**
 - **Uložte si tyto pokyny.** Používejte je často a také k poučení dalších osob, které mohou toto nářadí používat. Pokud nářadí někomu půjčíte, půjčte mu také tento návod k obsluze, aby nedošlo k nesprávnému použití výrobků nebo případně k úrazu.
- ULOŽTE SI TYTO POKYNY**
- POZNÁMKA: VIZ NÁVOD PRO Pohonnou hlavu PRO DODATEČNÁ BEZPEČNOSTNÍ PRAVIDLA.**

SPECIFIKACE

Délka lišty	51 cm	
Řezný výkon	26 mm	
Hmotnost nůžek (bez akumulátoru)	2,20 kg	
Doporučovaná provozní teplota	0°C-40°C	
Doporučovaná teplota skladování	-20°C-70°C	
Měřená úroveň akustického výkonu L_{WA}	92,3 dB(A) K=2,72 dB(A)	
Hladina akustického tlaku na sluch obsluhy L_{PA}	80,4 dB(A) K=3 dB(A)	
Zaručená úroveň akustického výkonu L_{WA} (podle směrnice 2000/14/ES)	95 dB(A)	
Vibrace a_h	Přední pomocná rukojeť	4,9 m/s ² K=1,5 m/s ²
	Zadní rukojeť	6,7 m/s ² K=1,5 m/s ²

- Výše uvedené parametry jsou testovány a měřeny s nástrojem vybaveným pohonnou hlavou PH1400E.
- Celková deklarovaná hodnota vibrací byla naměřena podle standardní zkušební metody a lze ji použít ke srovnání s jiným nářadím.
- Celkovou deklarovanou hodnotu vibrací lze použít také k předběžnému stanovení expozičních limitů.

POZNÁMKA: Emise vibrací při konkrétním použití elektrického nářadí se mohou lišit od deklarované hodnoty, při které se nářadí používá; z důvodu ochrany provozovatele by měl uživatel ve skutečných pracovních podmínkách nosit rukavice a chrániče sluchu.

OBSAH BALENÍ

NÁZEV DÍLU	MNOŽSTVÍ
Tyčový nástavec pro plotové nůžky	1
Klíč	1
Pouzdro pro lištu	1
Návod k obsluze	1

POPIS

SEZNAMTE SE S TYČOVÝM NÁSTAVCEM PRO PLOTOVÉ NŮŽKY (Obr. A)

1. Střížná lišta
2. Kvadrant
3. Spouštěč
4. Hřídel tyčových plotových nůžek
5. Měkké pouzdro
6. Koncovka
7. Nastavovací páka
8. Převodová skříň
9. Klíč
10. Pouzdro pro lištu
11. Ochrana hrotu (volitelná, PRODÁVÁ SE SAMOSTATNĚ)

MONTÁŽ

VAROVÁNÍ: Pokud jsou některé díly poškozené, nebo chybí, nepoužívejte výrobek, dokud se díly nevymění. Použití tohoto výrobku s poškozenými nebo chybějícími díly může vést k vážnému úrazu.

VAROVÁNÍ: Nepokoušejte se výrobek upravovat ani vytvářet příslušenství, které se pro tuto tyčovou pilu nedoporučuje. Každá taková změna nebo úprava je zneužití a může vést k nebezpečné situaci, která může zapříčinit vážný úraz.

VAROVÁNÍ: Nikdy nepřipojujte nebo neupravujte nástavec, když pohonná hlava běží nebo je nainstalovaná baterie. Neschopnost zastavit motor a vyjmout baterii může způsobit vážné zranění.

NASTAVENÍ STŘIŽNÉ LIŠTY

Když tyčové plotové nůžky vyberete z obalu, jsou složeny ve své úložné poloze, ve které je střížná lišta proti hřídeli (obr. B). Doporučujeme upravit střížnou lištu do vhodné pracovní polohy před připojením k pohonné hlavě.

K dispozici je 12 možných pracovních poloh. Úhel střížné lišty může být upraven nahoru v 5 stupních od 0° (přímo) do 45°, včetně 0°, a dolů v 7 stupních od 0° do 90° (pravý úhel směrem dolů) (obr. C), bez 0°.

1. Stiskněte spouštěč na nastavovací páčce a otočte nastavovací páčku pro nastavení střížné lišty do požadované polohy řezání (obr. D).
2. Po dosažení požadované polohy uvolněte spouštěč. Slyšitelné cvaknutí ukazuje, že zajišťovací kolík se zapojil do kvadrantu vpravo na místo (obr. D).

Opis částí na obr. D viz níže:

D-1	Kvadrant
D-2	Zajišťovací kolík

VAROVÁNÍ: Chcete-li snížit riziko zranění, provádějte úpravy pouze tehdy, když je střížná lišta v klidovém stavu. Nikdy se nedotýkejte lišty během úprav.

VAROVÁNÍ: Chcete-li snížit riziko zranění, vždy zastavte nástroj před přesunem střížné lišty do pouzdra v skladovací poloze nebo z úložné polohy do normální pracovní polohy.

PŘIPOJENÍ TYČOVÉHO NÁSTAVCE PRO PLOTOVÉ NŮŽKY NA POHONNOU HLAVU

Tento tyčový nástavec pro plotové nůžky je určen pro použití s EGO 56 V LITHIUM-IONTOVOU pohonnou hlavou PH1400E. Kromě horního řezání je k dispozici i poloha pro boční řezání na hřídeli tyčových plotových nůžek pro spojení s pohonnou hlavou (obr. E). Podrobné pracovní postupy viz oddíl „PRACOVNÍ TECHNIKY“ v tomto návodu k obsluze.

Opis částí na obr. E viz níže:

E-1	Horní řezací poloha
E-2	Boční řezací poloha

Viz část „**INSTALACE NÁSTAVCE NA POHONNOU HLAVU**“ v příručce pro obsluhu pohonné hlavy PH1400E pro připojení tyčových plotových nůžek na pohonnou hlavu.

Viz část „**ODSTRANĚNÍ NÁSTAVCE Z POHONNÉ HLAVY**“ v příručce pro obsluhu pohonné hlavy PH1400E pro odstranění tyčových plotových nůžek z pohonné hlavy.

MONTÁŽ OCHRANY HROTU (volitelně)

1. Použijte šestihřanný klíč pro odstranění krátkého šroubu, ploché podložky, pouzdra a maticí na konci střížné lišty (obr. F). Odložte si plochou podložku, pouzdro a maticí pro opětovné smontování.

Opis částí na obr. F viz níže:

F-1	Matice	F-3	Plochá podložka
F-2	Pouzdro	F-4	Krátký šroub

2. Srovnejte ochranu hrotu s vyboulením na střížné liště a připojte ji na místo. Zajistěte ji novým dlouhým šroubem a maticí, stejně jako odloženou podložkou, pouzdem a maticí (obr. G).

G-1	Matice	G-4	Pouzdro
G-2	Chránič hrotu	G-5	Plochá podložka
G-3	Matice	G-6	Dlouhý šroub

POUŽITÍ

NEBEZPEČÍ: Nikdy neřežte v blízkosti elektrického vedení, elektrických kabelů nebo jiných elektrických zdrojů. Pokud se střížná lišta zesekne na nějakém elektrickém kabelu nebo vedení, **NEDOTÝKEJTE SE STŘÍŽNÉ LIŠTY NEBO HLINÍKOVÉ TYČE! MOHOU SE STÁT ELEKTRICKY VODIVÝMI A VELMI NEBEZPEČNÝMI.** Držte nadále tyčové plotové nůžky za izolovanou zadní rukojeť, nebo je položte v bezpečné vzdálenosti od sebe. Než se pokusíte uvolnit střížnou lištu z vedení nebo kabelu, odpojte je z elektrické sítě. Kontakt se střížnou lištou, jinými vodivými částmi tyčových plotových nůžek, nebo živými elektrickými vodiči nebo vedením může mít za následek vážné zranění nebo smrt elektrickým proudem.

VAROVÁNÍ: Dbejte, abyste se po seznámení s výrobkem nestali neopatrní. Nezapomínejte, že stačí chvíle nepozornosti a může se stát vážný úraz.

VAROVÁNÍ: Vždy používejte ochranu očí s bočními kryty. Pokud tak neučiníte, může dojít k vymrštění předmětu do očí, nebo případně jiným vážným úrazům.

Před každým použitím zkontrolujte, zda celý výrobek není poškozen, nemá chybějící nebo uvolněné části, jako jsou vruty, matice, šrouby, uzávěry, atd. Utáhněte všechny spojovací díly a uzávěry a nepoužívejte tento výrobek, dokud nejsou nahrazeny všechny chybějící nebo poškozené díly.

VAROVÁNÍ: Před servisem, čištěním, výměnou nástavců nebo odstraněním materiálu vyjměte akumulátor z nářadí, aby nedošlo k vážnému úrazu.

Po každém použití nástroj vyčistěte.

Viz část Údržba pro pokyny k čištění.

APLIKACE

Tento výrobek můžete použít ke stříhání živých plotů, keřů a křovin s průměrem větvy menším než Ø 26 mm.

POZNÁMKA: Nářadí se smí používat pouze k vyhrazenému účelu. Jakékoliv jiné použití se považuje za zneužití.

POUŽITÍ TYČOVÝCH PLOTOVÝCH NŮŽEK S POHONNOU HLAVOU

VAROVÁNÍ: Pro práci s tímto nářadím se vhodně oblékněte, abyste snížili riziko úrazu. Nenoste volný oděv ani šperky. Používejte ochranu očí a chrániče sluchu. Noste odolné, dlouhé kalhoty, pevné boty a rukavice. Nenoste krátké kalhoty, sandály ani nechoďte bosí.

PŘÍPRAVA NA ŘEZÁNÍ:

1. Úprava střížné lišty do požadované pracovní polohy.
2. Odstraňte pouzdro ze střížné lišty.

3. Pro bezpečnější a lepší používání si dejte ramenní popruh přes rameno. Upravte ramenní popruh do pohodlné pracovní polohy. Postupujte podle pokynů v části **„MONTÁŽ RAMENNÍHO POPRUHU“** v příručce PH1400E pro upevnění ramenního popruhu na pohonnou hlavu.

VAROVÁNÍ: Ramenní popruh je vybaven rychle vypínacím mechanismem pro nebezpečné situace. Dojde-li k nouzové situaci, okamžitě si odepněte popruh ze svého ramene bez ohledu na to, jakým způsobem je popruh připnutý.

PRACOVNÍ TECHNIKY

- **Vodorovný řez (se střížnou lištou pod úhlem):** Řežte blízko k zemi ze stoje, např. nízké keře.

Houpejte střížnou lištu nahoru a dolů, jak se budete pohybovat podél plotu – použijte obě strany střížné lišty, nedotýkejte se střížnou lištou země (obr. H).

- **Vodorovný řez (s přímou střížnou lištou):**

Uchopte střížnou lištu pod úhlem 0° až 10° při vodorovném otáčení tyčových plotových nůžek. Otáčejte střížnou lištu do oblouku směrem k vnějším částem živého plotu tak, aby řízky padaly k zemi (obr. I J a K).

Doporučení: V této pracovní poloze řežte pouze živé ploty, kterých výška je po prsa.

- **Svislý řez (se střížnou lištou pod úhlem):** Řežte tak, abyste nestáli přímo vedle živého plotu, např. květinový záhon mezi obsluhou a živým plotem.

V této řezací poloze pro lepší kontrolu tyčových plotových nůžek doporučujeme připojit plotové nůžkyna napájecí hlavu v poloze pro boční řezání (viz obr. E).

Houpejte střížnou lištu nahoru a dolů v oblouku, jak se budete pohybovat podél plotu – použijte obě strany střížné lišty (obr. L).

- **Svislý řez (s přímou střížnou lištou):** Extra dlouhý dosah bez nutnosti použití dalších pomůcek.

Houpejte střížnou lištu nahoru a dolů v oblouku, jak se budete pohybovat podél plotu – použijte obě strany střížné lišty (obr. M).

- **Horní řez (se střížnou lištou pod úhlem):**

Držte plotové nůžky vertikálně a natočte je do oblouku pro maximální využití jejich dosahu (obr. N). Pro velmi vysoké ploty je vhodná prodlužovací tyč jako pomůcka pro ořezávání.

VAROVÁNÍ: Jakákoliv pracovní poloha nad hlavou je únavná. Aby se minimalizovalo riziko nehod, pracujte v takovéto poloze jen na krátkou dobu. Nastavte úhel nastavitelné střížné lišty na maximum tak, aby nástroj bylo možné držet v nižší a méně únavné poloze (s ramenním popruhem), která přitom poskytuje dostatečný dosah.

ZAPNUTÍ/VYPNUTÍ NÁSTROJE

Viz část **„ZAPNUTÍ/VYPNUTÍ POHONNÉ HLAVY“** v příručce pro obsluhu pohonné hlavy PH1400E.

ÚDRŽBA

VAROVÁNÍ: Před kontrolou, čištěním nebo údržbou přístroje zastavte motor, počkejte, až se všechny pohyblivé díly zastaví a vyjměte baterii. Nedodržení těchto instrukcí může vést k vážnému zranění nebo poškození majetku.

VAROVÁNÍ: Při opravách používejte pouze originální náhradní díly. Použití jiných dílů může být rizikem nebo způsobit poškození výrobku. Z důvodu bezpečnosti by měl všechny opravy provádět kvalifikovaný servisní technik.

CELKOVÁ ÚDRŽBA

K čistění plastových dílů nepoužívejte rozpouštědla. Většina plastů je náchylná k poškození různými typy komerčních rozpouštědel a jejich použití je může poškodit. K odstranění nečistot, prachu, oleje, maziva atd. použijte čistý hadr.

ČIŠTĚNÍ NÁŘADÍ

- Měkkým hadrem odstraňte nečistoty ze všech přívodů vzduchu střížné lišty.
- Pokud chcete odstranit pryskyřici nebo jiné lepidlo zbytků, nastříkejte lištu rozpouštědlem pryskyřic. Krátce spusťte motor tak, aby se rozpouštědlo rovnoměrně rozptýlilo.
- Na plastové pouzdro nebo rukojeť nepoužívejte žádné silné čisticí prostředky. Mohou být poškozeny některými aromatickými oleji, jako např. borovicovým nebo citronovým a rozpouštědly, jako např. petrolej. Vlhkost může rovněž způsobit riziko úrazu elektrickým proudem. Veškerou vlhkost setřete suchým měkkým hadrem. K čistění nástroje nikdy nepoužívejte vodu.

BROUŠENÍ STŘIŽNÉ LIŠTY

Když se výkon řezání a chování začne zhoršovat, t.j. lišta se často zachytává na větvích: Naostříte střížnou lištu.

Doporučujeme provádět přebroušení u kvalifikovaného servisního technika.

POZNÁMKA: Neprovazujte plotové nůžky s tupou nebo poškozenou střížnou lištou. Může to způsobit přetížení a neuspokojivé výsledky řezání.

MAZÁNÍ LIŠTY

Aby se zabránilo korozi, doporučujeme mazat lištu protikorozivním olejem, když je skladována po dlouhou dobu.

VAROVÁNÍ: Lišta je ostrá. Při manipulaci se sestavou lišty používejte protiskluzové, odolné ochranné rukavice. Nevkládejte ruce nebo prsty do lišty nebo do jakékoliv pozici, kde by mohlo dojít k seřízení nebo řezu. NIKDY se nedotýkejte lišty nebo neopravujte přístroj s nainstalovaným akumulátorem.

MAZÁNÍ PŘEVODOVKY

Převody v převodové skříně se musí pravidelně mazat převodovkovým tukem. Zkontrolujte hladinu převodového maziva v převodovce po každých 50 hodinách provozu odstraněním těsnicího šroubu na boku skříně. K dispozici jsou tři těsnící šrouby, jeden na boku a dva na vrchní straně.

Pokud na bocích převodovky není vidět žádný tuk, postupujte podle pokynů pro naplnění převodovým mazivem až do 3/4 kapacity.

Nezaplníte zcela převody.

1. Podle toho, který šroub odstraňujete, položte tyčové plotové nůžky na bok, nebo je položte na jejich zadní stranu tak, aby bylo možné těsnící šroub odstranit směrem nahoru (obr. O a P).
2. Pomocí dodaného multifunkčního klíče povolte a odstraňte těsnící šroub.
3. Použijte mazací stříkačku (není součástí dodávky) pro zavedení maziva do otvoru pro šroub; nepřekročte 3/4 kapacity.
4. Po naplnění utáhněte těsnící šroub.

SKLADOVÁNÍ NÁŘADÍ

- Vyjměte akumulátor z přístroje.
- Nářadí před uskladněním řádně vyčistěte.
- Před skladováním nebo přepravou vložte střížnou lištu do pouzdra. Dávejte pozor na ostré zuby lišty.
- Jsou-li plotové nůžky odpojeny od pohonné hlavy a skladovány odděleně, namontujte koncovku na hřídel nástavce, aby se nečistoty nedostaly do spojky.
- Nářadí skladujte na suchém, dobře větraném, uzamčeném nebo vyvýšeném místě mimo dosah dětí. Nářadí neskladujte v blízkosti hnojiv, benzínu nebo jiných chemických látek.

Ochrana životního prostředí



Elektrické zařízení, nabíječku a baterie/nabíjecí baterie nevhazujte do domovního odpadu!

Podle směrnice Evropského parlamentu a Rady 2012/19/EU se musí odpadní elektrická a elektronická zařízení a podle směrnice 2006/66/ES vadné nebo použité akumulátory/baterie sbírat odděleně.

Pokud se elektrická zařízení likvidují na zavážkách nebo skládkách, mohou do podzemní vody prosáknout nebezpečné látky, dostat se do potravního řetězce a poškodit tak vaše zdraví a zdravotní stav.

ODSTRAŇOVÁNÍ PROBLÉMŮ

PROBLÉM	PŘÍČINA	ŘEŠENÍ
Tyčové plotové nůžky nefungují.	<ul style="list-style-type: none"> ■ K tyčovým plotovým nůžkám není připojen akumulátor. ■ Žádný elektrický kontakt mezi plotovými nůžkami a akumulátorem. ■ Akumulátor je vybitý. ■ Tlačítko pojistky a spoušť nejsou stisknuté současně. ■ Akumulátor nebo pohonná hlava jsou příliš horké. ■ Lišta je uvíznutá. ■ Tyčové plotové nůžky nejsou dobře propojeny s pohonnou hlavou. 	<ul style="list-style-type: none"> ■ Připojte akumulátor k tyčovým plotovým nůžkám. ■ Vyměňte akumulátor, zkontrolujte póly a znovu jej nainstalujte. ■ Nabijte akumulátor. ■ Zatlačte jistící páčku a podržte ji, pak stiskněte spoušť pro zapnutí nástroje. ■ Nechejte akumulátor nebo pohonnou hlavu zchladnout, dokud teplota neklesne pod 67 °C. ■ Vyměňte akumulátor z náradí. Opatrně odstraňte překážku a znovu vložte akumulátor a restartujte nástroj. ■ Odpojte tyčové plotové nůžky od pohonné hlavy. Připojte je podle části „INSTALACE NÁSTAVCE NA POHONNOU HLAVU“ v příručce obsluhy PH1400E.
Nadměrné vibrace nebo hluk.	<ul style="list-style-type: none"> ■ Suché nebo zkorodované lišty. ■ Lišty nebo podpěra lišt jsou uhnuté. ■ Ohnuté nebo poškozené zuby. ■ Povolte šrouby lišt. 	<ul style="list-style-type: none"> ■ Namažte lištu. ■ Vyměňte za novou lištu nebo podpěru. Kontaktujte servisní středisko EGO pro podporu nebo výměnu lišty. ■ Vyměňte za novou lištu nebo podpěru. Kontaktujte servisní středisko EGO pro podporu nebo výměnu lišty. ■ Dotáhněte šrouby lišt. Pomocí klíče (není součástí dodávky) otočte šroub ve směru hodinových ručiček pro utáhnutí.

CZ

ZÁRUKA

ZÁRUKA SPOLEČNOSTI EGO

Úplné záruční podmínky společnosti EGO naleznete na webové stránce egopowerplus.com.

PREČÍTAJTE SI VŠETKY POKYNY!



Prečítajte Si Návod Na Obsluhu

⚠ Zvyškové riziko! Ľudia s elektronickými zariadeniami, napríklad kardiostimulátorom, musia používanie tohto výrobku konzultovať so svojim lekárom/lekármi. Používanie elektrického zariadenia v tesnej blízkosti kardiostimulátora by mohlo spôsobiť jeho rušenie alebo zlyhanie.

⚠ VAROVANIE: Pre zaistenie bezpečnosti a spoľahlivosti by mal všetky opravy a výmeny vykonávať len kvalifikovaný servisný technik.

BEZPEČNOSTNÉ SYMBOLY

Účelom bezpečnostných symbolov je upozorniť na možné nebezpečenstvá. Je nevyhnutné, aby ste si našťudovali a pochopili bezpečnostné symboly a vysvetlenia k nim. Samotné výstražné symboly neodstraňujú možné nebezpečenstvá. Pokyny a varovania, ktoré poskytujú, nie sú náhradou vhodných opatrení na prevenciu úrazov.

⚠ VAROVANIE: Uistite sa, že ste si pred použitím tohto výrobku prečítali a pochopili všetky bezpečnostné pokyny uvedené v návode na obsluhu, vrátane všetkých bezpečnostných výstražných symbolov, ako sú „NEBEZPEČENSTVO“, „VAROVANIE“ A „VÝSTRAHA“. Nedodržanie nižšie uvedených pokynov môže spôsobiť úraz elektrickým prúdom, požiar a/alebo vážne zranenie.

VÝZNAM SYMBOLU

⚠ BEZPEČNOSTNÝ VÝSTRAŽNÝ SYMBOL: Označuje **NEBEZPEČENSTVO**, **VAROVANIE**, alebo **VÝSTRAHU**. Môže byť použitý v spojení s inými symbolmi alebo piktogramami.



⚠ VAROVANIE: Používanie akékoľvek elektrického náradia môže spôsobiť vniknutie cudzích predmetov do očí, čo môže mať za následok vážne poškodenie zraku. Pred spustením elektrického náradia do prevádzky si vždy nasadte bežné ochranné okuliare alebo ochranné okuliare s postrannými krytmi a, v prípade potreby, celo-tvárový štít. Na okuliare alebo štandardné bezpečnostné okuliare s postrannými krytmi odporúčame použiť bezpečnostnú masku Wide Vision.

BEZPEČNOSTNÉ POKYNY

Na tejto strane sú uvedené a popísané bezpečnostné symboly, ktoré sa nachádzajú na výrobku. Predtým, než budete montovať a používať stroj, si prečítajte všetky pokyny, snažte sa im porozumieť a postupujte podľa nich.

	Bezpečnostná výstraha	Upozorňuje na potenciálne nebezpečenstvo úrazu.
	Prečítajte si návod na obsluhu	Ak chcete znížiť riziko zranenia, používateľ musí pred použitím tohto výrobku prečítať a pochopiť návod na obsluhu.
	Prečítajte Si Návod Na Obsluhu	Pri používaní výrobku si vždy nasadte bežné ochranné okuliare alebo ochranné okuliare s postrannými krytmi a celo-tvárový štít.
	Používajte ochranu hlavy.	Používajte schválenú bezpečnostnú prilbu na ochranu hlavy.
	Používajte ochranu sluchu.	Pri práci s týmto výrobkom vždy používajte ochranu sluchu.
	Dĺžka lišty	Dĺžka čepele
	Krájanie Kapacita	Max. rezná kapacita čepele

SK

	Udržujte ruky a nohy v bezpečnej vzdialenosti od rezacieho nástroja.	Nikdy sa nepokúšajte ovládať náradie jednou rukou. Pri strate kontroly nad elektrickým náradím môže dôjsť k vážnemu alebo smrteľnému zraneniu. Aby sa znížilo riziko porezania, udržiavajte ruky a nohy v bezpečnej vzdialenosti od rezacieho nástroja. Nikdy nepripájajte pohybujúci sa rezací nástroj rukou alebo akoukoľvek inou časťou tela.
	Udržiavajte okolostojace osoby v bezpečnej vzdialenosti.	Zabezpečte, aby ostatní ľudia a domáce zvieratá zostali vo vzdialenosti aspoň 15 m od tyčových nožníc na živý plot, keď sa používajú.
	Chráňte pred dažďom	Pílu nepoužívajte v daždi, ani ju nenechávajte vonku počas dažďa.
IPX4	Symbol stupňa ochrany	Ochrana proti vniknutiu vody 4. stupňa
	Det Europæiske Fællesskab	Dette produkt er i overensstemmelse med gældende EU-direktiver.
	WEEE	Nepotrebné elektrické výrobky sa nesmú likvidovať spolu s domovým odpadom. Odovzdajte do autorizovaného recyklačného strediska.
	Støj	Garanteret lydniveau. Støjemission til miljøet opfylder EF-direktivet.
V	Volt	Napätie
mm	Milimeter	Længde eller størrelse
cm	Centimeter	Længde eller størrelse
kg	Kilogram	Vægt

SK

DÔLEŽITÉ BEZPEČNOSTNÉ POKYNY

⚠ VAROVANIE! Pri používaní elektrických záhradníckych zariadení sa musia vždy dodržiavať základné bezpečnostné opatrenia pre zníženie rizika vzniku požiaru, úrazu elektrickým prúdom alebo poranenia osôb, vrátane nasledujúcich:

PRED POUŽITÍM SI POZORNE PREČÍTAJTE

ODLOŽTE SI PRE BUDÚCU POTREBU

⚠ NEBEZPEČENSTVO! Nepracujte v blízkosti elektrického vedenia. Prístroj nebol navrhnutý tak, aby poskytoval ochranu pred úrazom elektrickým prúdom v prípade kontaktu s nadzemným elektrickým vedením. Zoznámte sa s miestnymi predpismi pre bezpečné vzdialenosti od nadzemného elektrického vedenia a zaistíte, aby pred zapnutím nástroja bola pracovná poloha bezpečná a zabezpečená.

BEZPEČNOSTNÉ POKYNY PRE NOŽNICE NA ŽIVÝ PLOT

⚠ NEBEZPEČENSTVO! Udržujte ruky v bezpečnej vzdialenosti od lišty. Kontakt s lištou bude mať za následok vážne zranenie.

- Udržujte všetky časti tela mimo dosahu strižnej lišty. Neodstraňujte rezaný materiál, alebo ho nepridŕžiavajte, keď sú čepele v pohybe. Uistite sa, že vypínač je vypnutý pri odstraňovaní zaseknutého materiálu. Chvilková nepozornosť pri práci s nožnicami na živý plot môže mať za následok vážne zranenie.
- Stroje s určenou prepravnou polohou (strižná lišta naplocho proti hriadeľu nožnic na živý plot): Nikdy nespúšťajte stroj v prepravnej polohe, pretože lišta nie je zapojená v tejto polohe a nemôžete preto vizuálne skontrolovať, že sa zastaví pri voľnobehu, keď začnete nastavovať strižnú lištu do požadovanej reznej polohy (v ktorej je lišta zapojená).
- Nožnice na živý plot prenášajte za držadlo so zastavenou strižnou lištou. Pri preprave alebo skladovaní nožníc na živý plot vždy nasadte puzdro strižnej lišty. Správna manipulácia s nožnicami na živý plot znižuje možnosť úrazu ostrým strižným lištou.
- Nechytajte obnaženú strižnú lištu pri zdvíhaní alebo držaní nožníc na živé ploty.
- Elektrické náradie držte len za izolované rukoväte, pretože strižná lišta môže prísť do kontaktu so skrytým vedením. Pri kontakte so „živým“ vodičom sa môžu obnažené kovové časti náradia stať „živými“ a môžu spôsobiť obľuhu elektrický šok.
- Udržujte káble v bezpečnej vzdialenosti od rezného priestoru. Počas práce môže byť kábel skrytý v kríkoch a môže dôjsť k jeho náhodnému prerezaniu.

- Pred začiatkom práce skontrolujte kríky na cudzie predmety, napr. drôtené oplotenie.
- Aby sa znížilo riziko zranenia v dôsledku straty kontroly, musíte si byť absolútne istí, že strižná lišta nezasiahne vás a tiež žiadne ďalšie prekážky a objekty, vrátane zeme, pretože pri spustení nástroja sú otáčky motora dostatočne rýchle, aby spustili pohyb strižnej lišty na náradí.
- Neumožnite ďalším osobám byť vo všeobecnej pracovnej oblasti. Zabezpečte, aby ostatní ľudia a domáce zvieratá zostali vo vzdialenosti aspoň 15 m od týchto nožníc na živý plot, keď sa používajú.
- Nikdy nedovoľte deťom obsluhovať nožnice na živý plot.
- Pri ovládaní nožníc na živý plot používajte obe ruky. Pri manipulácii len s jednou rukou môže dôjsť k strate kontroly a vzniku vážneho poranenia.
- Nepreceňujte sa. Pri práci vždy dodržujte správny postoj a rovnováhu. Zvláštna pozornosť sa vyžaduje na klzkom povrchu (mokrýa cesta, sneh) a v ťažkom zarastenom teréne. Dávajte si pozor na skryté prekážky, ako sú pne, korene a priekopy a vyhýbajte sa spadnutým konárom, krovinám a odrezkom. Buďte veľmi opatrní pri práci na svahoch alebo nerovnom teréne.
- Nepoužívajte na rebríku, streche, strome alebo v inej nestabilnej podpore. Stabilné postavenie na pevnom povrchu umožňuje lepšiu kontrolu nad nožnicami na živý plot pri neočakávaných situáciách.
- Strižnú lištu majte vždy na dohľad - nerobte rezy v akejkoľvek oblasti, do ktorej nie je dobre vidieť. Pri rezaní vrcholu vyššieho živého plotu často kontrolujte druhú stranu plotu na okolostojace osoby, zvieratá alebo prekážky.
- Pred ďalším použitím nožníc na živý plot skontrolujte poškodené časti. Skontrolujte vyrovnanie pohyblivých častí, pripojenie pohyblivých častí, poškodenie jednotlivých dielov, montáž a akékoľvek iné okolnosti, ktoré môžu mať vplyv na prevádzku nástroja.
- V pravidelných intervaloch kontrolujte upevňovacie skrutky lišty a motora na správne dotiahnutie. Tiež vizuálne skontrolujte poškodenie lišty (napr. ohnutie, prasknutie a opotrebovanie). Lištu vymeňte len za originálnu lištu značky EGO™.
- Vymeňte lištu, ak je ohnutá alebo prasknutá. Nevyvážená lišta spôsobuje vibrácie, ktoré by mohli poškodiť motorovú pohonnú jednotku, alebo spôsobiť zranenie.
- V prípade, že nástroj začne nezvyčajne vibrovať, vypnite motor a ihneď zistite príčinu. Vibrácie zvyčajne upozorňujú na problém.

- Nožnice sa používajú na rezanie konárov s priemerom menším ako 26 mm.
- Strihajte len za denného svetla alebo pri dobrom umelom osvetlení.
- Nepoužívajte nožnice na živý plot na batérie v daždi.

ĎALŠIE UPOZORNENIA

- **Nedobíjajte akumulátor v daždi alebo vo vlhkom prostredí.**
- **Používajte iba s akumulátormi a nabíjačkami, ktoré sú uvedené na obr. A.**
- Pred likvidáciou musí byť akumulátor odstránený zo spotrebiča.
- Batérie likvidujte bezpečným spôsobom.
- **Batérie nevyhadzujte do ohňa.** Články môžu explodovať. Pozrite si miestne vyhlášky so špeciálnymi pokynmi na likvidáciu.
- **Neotvárajte alebo nepoškodzuje batérie.** Uvoľnený elektrolyt je zieravina a môže spôsobiť poškodenie očí alebo kože. Môže byť toxická pri požití.

⚠ POZOR! Elektrolyt je zriedená kyselina sírová, ktorá je škodlivá pre pokožku a oči. Je elektricky vodivá a korozívna.

- **Pri manipulácii s batériami buďte opatrní, aby nedošlo ku skratovaniu batérie vodivými materiálmi, ako sú prstene, náramky a kľúče.** Batérie alebo vodiče sa môžu prehriať a spôsobiť popálenie.
- **Nástroje na batérie nemusia byť zapojené do elektrickej zásuvky; preto sú vždy v prevádzkovom stave.** Buďte si vedomí možných rizík, aj keď sa nástroj nepoužíva. Buďte opatrní pri vykonávaní údržby alebo servisu.
- **Pred servisom, čistením alebo odstraňovaním materiálu z nástroja vyberte akumulátor.**
- **Náhradné diely** - Pri opravách používajte výhradne originálne náhradné diely spoločnosti EGO. Použitie iného príslušenstva alebo prídavného zariadenia môže zvýšiť riziko poranenia.
- **Nechajte vaše elektrické náradie opraviť kvalifikovanou osobou s použitím iba identických náhradných dielov.** Tým sa zabezpečí, že bezpečnosť stroja zostane zachovaná.
- **Neumývajte s hadicou; zabráňte tomu, aby sa voda dostala do motora a elektrických prípojk.**
- **Uložte nástroj na suchom a vyvýšenom či zamknutom mieste mimo dosahu detí.**

SK

- Ak sa vyskytnú situácie, ktoré nie sú zahrnuté v tomto návode, dávajte pozor a použite zdravý úsudok. Obráťte sa na servisné stredisko EGO pre pomoc.
- **Odložte si tieto pokyny.** Používajte ich často a používajte ich tiež na poučenie ostatných, ktorí môžu tento nástroj používať. Ak požičiate tento nástroj niekomu inému, požičajte mu aj tieto pokyny, aby sa zabránilo zneužitiu výrobku a prípadným zraneniam.

ODLOŽTE SI TIETO POKYNY

POZNÁMKA: POZRITE SI NÁVOD PRE POHONNÚ HLAVU PRE DODATOČNE BEZPEČNOSTNÉ PRAVIDLÁ.

TECHNICKÉ ÚDAJE

Dĺžka lišty	51 cm	
Rezacia kapacita	26 mm	
Hmotnosť (bez akumulátora)	2,20 kg	
Odporúčaná prevádzková teplota	0°C-40°C	
Odporúčaná skladovacia teplota	-20°C-70°C	
Nameraná hladina akustického výkonu L_{WA}	92,3 dB(A) K=2,72 dB(A)	
Hladina akustického tlaku na uši obsluhy L_{PA}	80,4 dB(A) K=3 dB(A)	
Garantovaná hladina akustického výkonu L_{WA} (merané podľa 2000/14 / ES)	95 dB(A)	
Vibrácie A_n	Predná pomocná rukoväť	4,9 m/s ² K=1,5 m/s ²
	Zadná rukoväť	6,7 m/s ² K=1,5 m/s ²

- Vyššie uvedené parametre sú testované a merané s nástrojom vybaveným pohonnou hlavou PH1400E.
- Deklarovaná celková hodnota vibrácií bola v súlade so štandardnou skúšobnou metódou a môže sa použiť na vzájomné porovnanie jednotlivých náradí;
- Deklarovaná celková hodnota vibrácií sa tiež môže použiť na predbežné vyhodnotenie času práce.

UPOZORNENIE: Hodnota vibrácií pri aktuálnom použití elektrického náradia sa môže líšiť od deklarovanej hodnoty, v rámci ktorej je náradie používané; kvôli svojej ochrane by mal používateľ nosiť rukavice a ochranu sluchu podľa aktuálnych podmienok použitia.

OBSAH BALENIA

NÁZOV DIELU	MNOŽSTVO
Tyčový nástavec pre nožnice na živý plot	1
Kľúč	1
Puzdro lišty	1
Návod na obsluhu	1

POPIS

ZOZNÁMTE SA S TYČOVÝM NÁSTAVCOM PRE NOŽNICE NA ŽIVÝ PLOT (Obr. A)

1. Strižná lišta
2. Kvadrant
3. Spúšťač
4. Hriadeľ tyčových nožníc na živý plot
5. Mäkké puzdro
6. Koncovka
7. Nastavovacia páka
8. Prevodová skriňa
9. Kľúč
10. Puzdro lišty
11. Ochrana hrotu (voliteľná, PREDÁVA SA SAMOSTATNE)

MONTÁŽ

VAROVANIE: Ak akýkoľvek diel chýba, alebo je poškodený, nepoužívajte tento výrobok, kým nie sú vymenené diely. Ak používate tento výrobok s poškodenými alebo chýbajúcimi časťami, môže dôjsť k vážnemu zraneniu.

VAROVANIE: Nepokúšajte sa upravovať tento výrobok alebo vytvoriť príslušenstvo, ktoré nie je odporúčané pre použitie s touto tyčovou pilou. Každá takáto zmena alebo modifikácia sa považuje za zneužitie a môže spôsobiť nebezpečný stav, ktorý vedie k možnému vážnemu zraneniu.

VAROVANIE: Nikdy nepripájajte alebo neupravujte nástavec, keď pohonná hlava beží, alebo je nainštalovaná batéria. Neschopnosť zastaviť motor a vybrať batériu môže spôsobiť vážne zranenie.

NASTAVENIE STRIŽNEJ LIŠTY

Keď tyčové nožnice na živý plot vyberiete z obalu, sú zložené vo svojej úložnej polohe, v ktorej je strižná lišta

oproti hriadeľu (obr. B). Odporúčame upraviť strižnú lištu do vhodnej pracovnej polohy pred pripojením na pohonnú hlavu.

K dispozícii je 12 možných pracovných polôh. Uhol strižnej lišty môže byť upravený nahor v 5 stupňoch od 0° (priamo) do 45°, vrátane 0°, a nadol v 7 stupňoch od 0° do 90° (pravý uhol smerom dole) (obr. C), bez 0°.

1. Stlačte spúšťač na nastavovacej páčke a otočte nastavovaciu páčku pre nastavenie strižnej lišty do požadovanej polohy rezania (obr. D).
2. Po dosiahnutí požadovanej polohy uvoľnite spúšťač. Počuteľné cvaknutie ukazuje, že zaisťovací kolík sa zapojil do kvadrantu vpravo na miesto (obr. D).

Popis dielov na obr. D si pozrite nižšie:

D-1	Kvadrant
D-2	Zaisťovací kolík

VAROVANIE: Pre zníženie rizika zranenia robte úpravy len vtedy, keď je strižná lišta v pokojovom stave. Nikdy sa nedotýkajte lišty počas úpravy.

VAROVANIE: Pre zníženie rizika zranenia vždy zastavte nástroj pred presunom strižnej lišty do puzdra v skladovacej polohe alebo v úložnej polohe do normálnej pracovnej polohy.

PRIPOJENIE TYČOVÉHO NÁSTAVCA PRE NOŽNICE NA ŽIVÝ PLOT NA POHONNÚ HLAVU

Tento tyčový nástavec pre nožnice na živý plot je určený na použitie s EGO 56 V lítium-iónovou pohonnou hlavou PH1400E. Okrem horného rezania je k dispozícii aj poloha pre bočné rezanie na hriadeľ tyčových nožnic na živý plot pre spojenie s pohonnou hlavou (obr. E). Podrobné pracovné postupy si pozrite v časti „PRACOVNÉ TECHNIKY“ v tomto návode na obsluhu.

Popis dielov na obr. E si pozrite nižšie:

E-1	Horná rezacia poloha
E-2	Bočná rezacia poloha

Pozrite si časť „INŠTALÁCIA NÁSTAVCA NA POHONNÚ HLAVU“ v príručke na obsluhu pohonnej hlavy PH1400E na pripojenie tyčových nožnic na živý plot na pohonnú hlavu.

Pozrite si časť „ODSTRÁNENIE NÁSTAVCA Z POHONNEJ HLAVY“ v príručke na obsluhu pohonnej hlavy PH1400E na odstránenie tyčových nožnic na živý plot z pohonnej hlavy.

MONTÁŽ OCHRANY HROTU (voliteľne)

1. Použite šesťhranný kľúč na odstránenie krátkej skrutky, plochej podložky, puzdra a matice na konci

strižnej lišty (obr. F). Odložte si plochú podložku, puzdro a maticu na opätovné zmontovanie.

Popis dielov na obr. F si pozrite nižšie:

F-1	Matica	F-3	Plochá podložka
F-2	Puzdro	F-4	Krátka skrutka

2. Zarovnajete ochranu hrotu s výklenkom na strižnej lište a pripojíte ju na miesto. Zaisťte ju novou dlhou skrutkou a maticou, rovnako ako odloženou podložkou, puzdrom a maticou (obr. G).

Popis dielov na obr. G si pozrite nižšie:

G-1	Matica	G-4	Puzdro
G-2	Chránič hrotu	G-5	Plochá podložka
G-3	Matica	G-6	Dlhá skrutka

PREVÁDZKA

NEBEZPEČENSTVO: Nikdy nerezte v blízkosti elektrického vedenia, elektrických káblov alebo iných elektrických zdrojov. Ak sa strižná lišta zasekne na nejakom elektrickom kábli alebo vedení, **NEDOTÝKAJTE SA STRIŽNEJ LIŠTY ALEBO HLINÍKOVEJ TYČE!**

MÔŽU SA STAŤ ELEKTRICKY VODIVÝMI A VEĽMI NEBEZPEČNÝMI. Drzte ďalej tyčové nožnice na živý plot za izolovanú zadnú rukoväť alebo ich bezpečným spôsobom položte dole a smerom od vás. Pred pokusom o uvoľnenie strižnej lišty z vedenia alebo kábla odpojte elektrické napájanie poškodeného vedenia alebo kábla. Kontakt so strižnou lištou, inými vodivými časťami tyčových nožnic na živý plot, alebo živými elektrickými vodičmi či vedením môže mať za následok vážne zranenie alebo smrť elektrickým prúdom.

VAROVANIE: Nedovoľte, aby znalosť tohto výrobku spôsobila vašu neopatrnosť. Pamätajte na to, že aj chvíľková neopatrnosť stačí na to, aby spôsobila vážny úraz.

VAROVANIE: Vždy používajte ochranné okuliare s bočnými štítmami. Ak tak neurobite, môže dôjsť k vymršteniu predmetov do očí a k ďalším možným vážnym zraneniam.

Pred každým použitím skontrolujte celý výrobok na poškodené, chýbajúce alebo uvoľnené diely, ako sú skrutky, matice, uzávery atď. Utiahnite všetky upevňovacie prvky a uzávery a nepoužívajte tento výrobok, kým nie sú vymenené všetky chýbajúce alebo poškodené diely.

VAROVANIE: Aby nedošlo k vážnemu zraneniu, tak pred vykonávaním údržby, čistením, výmenou príslušenstva alebo odstraňovaním materiálu z prístroja vyberte akumulátor z náradia.

SK

Po každom použití vyčistite nástroj.

Pozrite si časť Údržba pre pokyny na čistenie.

APLIKÁCIE

Tento výrobok môžete použiť na strihanie živých plotov, krovia a kríkov s priemerom vetiev menším ako Ø 26 mm.

POZNÁMKA: Nástroj sa musí používať len na predpísané účely. Každé iné použitie sa považuje za prípad zneužitia.

POUŽITIE TYČOVÝCH NOŽNÍC NA ŽIVÝ PLOT S POHONNOU HLAVOU

VAROVANIE: Oblečte sa vhodne pri práci s týmto náradím, aby sa znížilo riziko poranenia. Nenoste šperky alebo voľný odev. Používajte ochranu očí a sluchu. Oblečte si odolné, dlhé nohavice, vysoké topánky a rukavice. Nenoste krátke nohavice, sandále alebo nebuďte naboso.

PRÍPRAVA NA REZANIE:

1. Úprava strižnej lišty do požadovanej pracovnej polohy.
2. Odstráňte puzdro zo strižnej lišty.
3. Pre bezpečnejšie a lepšie používanie si dajte ramenný popruh cez rameno. Upravte ramenný popruh do pohodlnej pracovnej polohy. Postupujte podľa pokynov v časti "MONTÁŽ RAMENNÉHO POPRUHU" v príručke PH 1400E pre upevnenie ramenného popruhu na pohonnú hlavu.

SK

VAROVANIE: Ramenný popruh má takisto rýchlovyypínací mechanizmus pre nebezpečné situácie. Ak dôjde k núdzovej situácii, ihneď si popruh odopnite zo svojho ramena bez ohľadu na to, akým spôsobom je popruh pripnutý.

PRACOVNÉ TECHNIKY

- **Vodorovný rez (s naklonenou strižnou lištou):** Režte blízko k zemi zo stoja, napr. nízke kríky.
Pohybujte strižnou lištou hore a dole, ako sa budete pohybovať pozdĺž plotu - používajte obe strany strižnej lišty, nedotýkajte sa strižnou lištou zeme (obr. H).
- **Vodorovný rez (s priamou strižnou lištou):**
Uchopte strižnú lištu pod uhlom 0 ° až 10 ° pri vodorovnom otáčaní tyčových nožníc na živý plot. Otáčajte strižnou lištou do oblúka smerom k vonkajším častiam živého plotu tak, aby odrezky padali na zem (obr. I J a K).
Odporúčanie: V tejto pracovnej polohe režte iba živé ploty, ktorých výška je po prsia.
- **Zvislý rez (s naklonenou strižnou lištou):** Režte tak, aby ste nestáli priamo vedľa živého plotu, napr. kvetinový záhon medzi obsluhou a živým plotom.

V tejto rezacej polohe pre lepšiu kontrolu tyčových nožníc na živý plot odporúčame pripojiť nožnice na živý plot na napájaciu hlavu v polohe pre bočné rezanie (obr. E).

Pohybujte strižnou lištou hore a dole v oblúku, ako sa budete pohybovať pozdĺž plotu - používajte obe strany strižnej lišty (obr. L).

- **Zvislý rez (s priamou strižnou lištou):** Extra dlhý dosah bez nutnosti použitia ďalších pomôcok.

Pohybujte strižnou lištou hore a dole v oblúku, ako sa budete pohybovať pozdĺž plotu - používajte obe strany strižnej lišty (obr. M).

- **Horný rez (s naklonenou strižnou lištou):**

Držte nožnice na živý plot vertikálne a natočte ich do oblúka pre maximálne využitie ich dosahu (obr. N). Pre veľmi vysoké ploty je vhodná predĺžovacia tyč ako pomôcka pre orezávanie.

VAROVANIE: Akákoľvek pracovná poloha nad hlavou je únavná. Aby sa minimalizovalo riziko nehôd, pracujte v takejto polohe len krátky čas. Nastavte uhol nastaviteľnej strižnej lišty na maximum tak, aby nástroj bolo možné držať v nižšej a menej únavnej polohe (s ramenným popruhom), ktorá pritom poskytuje dostatočný dosah.

ZAPNUTIE/VYPNUTIE NÁSTROJA

Pozrite si časť „ZAPNUTIE/VYPNUTIE POHONNEJ HLAVY“ v návode na obsluhu pohonnej hlavy PH1400E.

ÚDRŽBA

VAROVANIE: Pred kontrolou, čistením alebo údržbou prístroja zastavte motor, počkajte, kým sa všetky pohyblivé diely zastavia a vyberte akumulátor. Nedodržanie týchto pokynov môže viesť k vážnemu zraneniu alebo poškodeniu majetku.

VAROVANIE: Pri servise používajte iba identické náhradné diely. Použitie iných častí môže vyvolať nebezpečenstvo, alebo spôsobiť poškodenie výrobku. Pre zaistenie bezpečnosti a spoľahlivosti je nevyhnutné, aby všetky opravy vykonával len kvalifikovaný servisný technik.

CELKOVÁ ÚDRŽBA

Na čistenie plastových dielov nepoužívajte rozpúšťadlá. Väčšina plastov je náchylná na poškodenie z rôznych typov komerčných rozpúšťadiel a môžu sa poškodiť, ak sa použijú. Použite čisté handry na odstránenie nečistôt, prachu, oleja, maziva, atď.

ČISTENIE PRÍSTROJA

- Použite mäkkú kefu na odstránenie nečistôt zo všetkých vstupov vzduchu a zo strižnej lišty.

- Ak chcete odstrániť živicu a iné lepkavé zvyšky, nasprejajte čepele rozpúšťadlom na živice. Spustíte motor nakrátko tak, aby sa rozpúšťadlo rovnomerne rozptýlilo.
- Nepoužívajte žiadne silné čistiace prostriedky na plastovom kryte alebo rukoväti. Môžu byť poškodené určitými aromatickými olejmi, ako je borovica a citrón, a rozpúšťadlami, ako je petrolej. Vlhkosť môže tiež spôsobiť nebezpečenstvo úrazu elektrickým prúdom. Akúkoľvek vlhkosť poutierajte mäkkou a suchou handrou. Na čistenia nástroja nikdy nepoužívajte vodu.

NAOSTRENIE STRIŽNEJ LIŠTY

Keď sa výkon rezania a chovanie začne zhoršovať, t.j. lišta sa často zachytáva na konároch: Naostríte strižnú lištu.

Odporúčame vykonať prebrúsenie u kvalifikovaného servisného technika.

▲ POZNÁMKA: Nepoužívajte nožnice na živý plot, ak sú rezné čepele tupé alebo poškodené. Môže to spôsobiť preťaženie a neuspokojivé výsledky rezania.

MAZANIE ČEPELE

Aby sa zabránilo korózii, odporúčame mazať lištu protikorozívnym olejom, keď bude skladovaná dlhšiu dobu.

▲ VAROVANIE: Čepele sú ostré. Pri manipulácii so zostavou čepeľí používajte protišmykové, odolné ochranné rukavice. Nedávajte ruky alebo prsty medzi čepele, alebo na žiadne miesto, kde by mohli byť zovreté alebo porezané. NIKDY sa nedotýkajte čepeľí, alebo neopravujte prístroj s vloženým akumulátorom.

MAZANIE PREVODOVKY

Prevody v prevodovej skríni sa musia pravidelne mazať prevodovým mazivom. Skontrolujte hladinu prevodového maziva v prevodovke približne každých 50 prevádzkových hodín odstránením tesniacej skrutky na skríni. K dispozícii sú tri tesniace skrutky, jedna na boku a dve na vrchnej strane.

Ak na stranách prevodov nie je vidno žiadne mazivo, postupujte podľa pokynov pre naplnenie prevodovým mazivom až do 3/4 kapacity.

Nezaplňte celkom prevody.

1. Podľa toho, ktorú skrutku odstraňujete, položte tyčové nožnice na živý plot na bok, alebo ich položte na ich zadnú stranu tak, aby bolo možné tesniacu skrutku odstrániť smerom hore (obr. O a P).
2. Pomocou dodaného kľúča povolte a odstráňte tesniacu skrutku.
3. Použite mazacu striekačku (nie je súčasťou dodávky) na zavedenie maziva do otvoru pre skrutku; neprekročte 3/4 kapacity.

4. Po naplnení utiahnete tesniacu skrutku.

USKLADNENIE PRÍSTROJA

- Vyberte akumulátor z prístroja.
- Pred uložením prístroj dôkladne vyčistite.
- Pred skladovaním alebo prepravou vložte strižnú lištu do puzdra. Dávajte pozor na ostré zuby lišty.
- Ak sú nožnice na živý plot odpojené od pohonnej hlavy a skladované oddelene, namontujte koncovku na hriadeľ nástavca, aby sa nečistoty nedostali do spojky.
- Prístroj skladujte na suchom a dobre vetranom uzamknutom alebo vyvýšenom mieste mimo dosahu detí. Nástroje neskladujte v blízkosti hnojív, benzínu alebo iných chemikálií.

Ochrana životného prostredia



Nevyhadzujte elektrické zariadenie, nabíjačku batérií a batérie/nabíjateľné batérie do komunálneho odpadu!

Podľa Zákona EÚ 2012/19/EÚ a Zákona EÚ 2006/66/EC sa elektrické a elektronické zariadenia, ktoré sa už nedajú používať, a chybné alebo použité akumulátory/batérie musia separovať.

Ak sa elektrické spotrebiče vyhodia na skládku alebo smetisko, môžu nebezpečné látky unikať do podzemných vôd a dostať sa do potravinového reťazca, čo spôsobuje poškodenie zdravia.

SK

RIEŠENIE PROBLÉMOV

PROBLÉM	PRÍČINA	RIEŠENIE
Tyčové nožnice na živý plot nefungujú.	<ul style="list-style-type: none"> ■ Akumulátor nie je pripojený na tyčové nožnice na živý plot. ■ Žiadny elektrický kontakt medzi nožnicami na živý plot a akumulátorom. ■ Akumulátor je vybitý. ■ Pred stlačením spúšťača ste nestlačili tlačidlo odomknutia. ■ Akumulátor alebo pohonná hlava sú príliš horúce. ■ Čepeľ sa zasekla. ■ Tyčové nožnice na živý plot nie sú dobre pripojené s pohonnou hlavou. 	<ul style="list-style-type: none"> ■ Pripojte akumulátor na tyčové nožnice na živý plot. ■ Vyberte batériu, skontrolujte kontakty a znovu nainštalujte akumulátor. ■ Nabite akumulátor. ■ Zatlačte istiacu páčku a podržte ju, potom stlačte spúšťač pre zapnutie nástroja. ■ Nechajte akumulátor alebo pohonnú hlavu vychladnúť, pokým teplota neklesne pod 67 °C. ■ Vyberte akumulátor z náradia. Opatrne odstráňte prekážku a znovu vložte akumulátor a reštartujte náradie. ■ Odpojte tyčové nožnice na živý plot od pohonnej hlavy. Pripojte ich podľa časti „INŠTALÁCIA NÁSTAVCA NA POHONNÚ HLAVU“ v návode na obsluhu PH1400E.
Nadmerné vibrácie alebo hluk.	<ul style="list-style-type: none"> ■ Suché alebo skorodované čepele. ■ Čepele alebo podpera čepele sú ohnuté. ■ Ohnuté alebo poškodené zuby. ■ Uvoľnené skrutky lišty. 	<ul style="list-style-type: none"> ■ Namažte lištu. ■ Vymeňte za novú lištu alebo podperu. Kontaktujte servisné stredisko EGO pre podporu alebo výmenu lišty. ■ Vymeňte za novú lištu alebo podperu. Kontaktujte servisné stredisko EGO pre podporu alebo výmenu lišty. ■ Utiahnite čepeľové skrutky. Pomocou kľúča (nie je súčasťou dodávky) otočte skrutku v smere hodinových ručičiek pre utiahnutie.

SK

ZÁRUKA

ZÁRUČNÁ POLITIKA EGO

Navštívte webové stránky egopowerplus.com pre úplné podmienky záručnej politiky spoločnosti EGO.

OLVASSA EL AZ ÖSSZES UTASÍTÁST!



Olvassa El A Használati Útmutatót

⚠ Maradék kockázat! Az elektronikus készülékekkel, például pacemakerrel, élő emberek a termék használata előtt kérjék ki orvos véleményét. Az elektromos felszerelés a szív pacemakerhez közel való működtetése interferenciát vagy meghibásodást okozhat a pacemakerben.

⚠ FIGYELMEZTETÉS: A biztonságosság és megbízhatóság biztosítása érdekében minden javítást szakképzett szerviztechnikus hajtsön végre.

BIZTONSÁGI SZIMBÓLUMOK

A biztonsági szimbólumok célja, hogy felhívják a figyelmet az esetleges veszélyekre. Nagyon figyeljen a biztonsági szimbólumokra és magyarázatokra, ill. ezek megértésére. A szimbólumok figyelmeztetése önmagukban nem hárítják el a veszélyeket. Az utasítások és figyelmeztetések nem helyettesítik a megfelelő balesetmegelőző intézkedéseket.

⚠ FIGYELMEZTETÉS: A szerszám használata előtt feltétlenül olvassa el a jelen használati útmutató minden biztonsági utasítását, a „VESZÉLY”, „FIGYELMEZTETÉS” és „FIGYELEM” biztonsági szimbólumokat is. Az alább felsorolt utasítások be nem tartása áramütést, tűzveszélyt és/vagy súlyos személyi sérülést idézhet elő.

SZIMBÓLUM JELENTÉSE

⚠ BIZTONSÁGI SZIMBÓLUM: VESZÉLYT vagy **FIGYELMEZTETÉST** jelöl. Más szimbólumokkal vagy rajzokkal együtt használható.



⚠ FIGYELMEZTETÉS: Bármely elektromos kéziszerszám működtetése azzal járhat, hogy idegen tárgyak szembe kerülnek, amely súlyos szemsérüléseket okozhat. Az elektromos kéziszerszám működtetése előtt, mindig vegyen fel oldalsó védőlemezzel ellátott védőszemüveget és a teljes védőálarcot, ha szükséges. Javasoljuk, hogy viseljen Wide Vision Safety Mask-ot (védőálarc) a védőszemüveg fölött vagy standard védőszemüveget oldalsó védőlemezzel.

BIZTONSÁGI UTASÍTÁSOK

Ezen az oldalon olyan biztonsági szimbólumok láthatók és olvashatók, amelyek megjelenhetnek a terméken. Az összeszerelés vagy működtetés előtt olvassa el, értse meg és tartsa be a gép minden utasítását.

	Biztonsági figyelmeztetés	Potenciális személyi sérülés veszélyét jelzi.
	Olvassa El A Használati Útmutatót	A sérülések kockázatának csökkentése érdekében a használat előtt el kell olvasnia, és meg kell értenie a használati útmutatót.
	Viseljen szemvédőt	Mindig viseljen védőszemüveget vagy oldalsó védőlemezzel ellátott védőszemüveget és teljes védőálarcot a termék működtetése közben.
	Viseljen fejdédőt	Viseljen hivatalos biztonsági kemény sisakot a feje védelme érdekében.
	Viseljen fülvédőt	Mindig viseljen hallásvédőt a termék működtetése közben.
	Kés hosszúsága	Penge hossza
	Szeletelés Kapacitás	A penge max. vágási kapacitása

HU

	A kezét és lábát tartsa távol a vágóegységtől.	Soha ne próbálja meg egy kézzel működtetni a kéziszerszámot. Amennyiben elveszíti az uralmát a kéziszerszám felett, az súlyos vagy halálos sérülést eredményezhet. A vágási sérülések veszélyének csökkentése érdekében tartsa távol a kezét és lábát a vágóegységtől. Soha ne érjen a vágóegységhez kézzel vagy más testrészével.
	Tartsa távol a nézelődőket	Ügyeljen arra, hogy más személyek és a háziállatok legalább 15 m távolságban legyenek a sövénynyíró használatában közben.
	Ne tegye ki eső hatásának	Ne használja esőben, és ha újra kint, ha esik az eső.
IPX4	IP szimbólum	Víz behatolása elleni védelmi szint: 4.
	CE	Ez a termék megfelel az érvényes EK irányelveknek.
	WEEE	Az elhasznált elektromos termékek nem helyezhetők a háztartási hulladék közé. Vigye hivatalos újrahasznosító telephelyre.
	Zaj	Garantált hangteljesítmény szint Zajkibocsátás a környezetben az Európai Közössége irányelveinek megfelelően.
V	Volt	Feszültség

mm	milliméter	Hossz vagy méret
cm	centiméter	Hossz vagy méret
kg	kilogramm	Súly

FONTOS BIZTONSÁGI ELŐÍRÁSOK

▲ FIGYELMEZTETÉS! Az elektromos kerti készülékek használata közben mindig tartsa be a következő alapvető biztonsági óvintézkedéseket a tűz, áramütés és személyi sérülések kockázatának csökkentése érdekében, a következőket is beleértve:

HASZNÁLAT ELŐTT FIGYELMESEN OLVASSA EL

ŐRIZZE MEG KÉSŐBBI HASZNÁLATRA.

▲ VESZÉLY! Ne működtesse elektromos vezetékek közelében. A kéziszerszám nem arra készült, hogy áramütés ellen védjen, ha fej feletti elektromos vezetékek ér. Kérjen tanácsot a helyi szabályozásokról a fej feletti elektromos vezetéktől való biztonságos távolságokkal kapcsolatban, és ellenőrizze, hogy a működési pozíció biztonságos-e és működtetés előtt biztosítsa a készüléket.

A SÖVENYNYÍRÓRA VONATKOZÓ BIZTONSÁGI FIGYELMEZTETÉSEK

▲ VESZÉLY! Tartsa távol a kezét a pengétől. Amennyiben a pengéhez ér, az súlyos személyi sérülést okozhat.

- **Tartsa távol testének minden részét a vágólaptól. Ne távolítsa el a vágott anyagot, és ne tartsa a vágandó anyagot, amíg a lapok mozgásban vannak. Ne feledje kikapcsolni a szerszámot, ha beszorult anyagot kell kivenni.** A sövényvágó használata közben egyetlen pillanatnyi figyelmetlenség is komoly sérülésekhez vezethet.
- **Meghatározott szállítási helyzetben lévő gépeken (a vágóegység laposan a sövénynyíró tengelyére hajtva): Soha ne indítsa el a gépet szállítási pozícióban, mivel a pengék ebben a pozícióban nem illeszkednek, és így Ön nem tudja szemrevételezéssel ellenőrizni, hogy leállnak-e, ha elkezd beállítani a vágóegységet a kívánt vágási pozícióba (amikor a pengék illeszkednek).**
- **A fogantyújánál fogva vigye a sövénynyírót, miután a vágólap mozgása már leállt. A sövénynyíró szállításakor vagy tárolásakor mindig helyezze fel a vágószerzám borítást.** A sövénynyíró megfelelő kezelése csökkenti a vágólapok okozta személyi sérülések veszélyét.

- Ne fogja meg a vágópengéket vagy a pengék végét, amikor felveszi, vagy tartja a sövénynyírót.
- Tartsa ez elektromos kéziszerszámot a szigetelt tartófelületeknél, mivel a vágópenge burkolat alatti vezetéket érinthet. A „feszültség” alatti vezetékkel érintkező pengék „feszültség” alá helyezhetik az elektromos kéziszerszám burkolat nélküli fémrészeit, és a gépkezelő áramütést szenvedhet.
- Tartsa távol a kábelt a vágási területtől. Használat közben előfordulhat, hogy a kábel nem látható a sövényben, és azt véletlenül elvághatja a lap.
- Működtetés előtt ellenőrizze, hogy nincsenek idegen tárgyak a sövénynyíró közelében, pl. drótkerítés.
- A készülék feletti uralmának elvesztése miatt okozott sérülések kockázatának csökkentése érdekében gondoskodjon arról, hogy a vágópenge nem éri sem Önt sem más akadályokat vagy tárgyakat, a talajt is beleértve, mert ha a kéziszerszám elindul, akkor a motor sebessége nagyon gyorsan fogja mozgatni a vágópengét.
- Ne engedjen más személyeket az általános munkaterületre. Ügyeljen arra, hogy más személyek és a háziállatok legalább 15 m távolságban legyenek a sövénynyíró használatá közben.
- Soha ne engedje, hogy gyermekek üzemeltessék a sövénynyírót.
- Használja mindkét kezét, amikor a sövénynyíró működött. Egy kéz használata esetén elveszítheti az uralmát a sövénynyíró felett, ami súlyos személyi sérülést okozhat.
- Ne hajoljon a gép fölé. Vegyen fel stabil testhelyzetet, és mindig tartsa meg az egyensúlyát. Legyen rendkívül óvatos csúszós körülmények között (nedves talaj, hó) és nehéz, elgazosodott területen. Ügyeljen a rejtett akadályokra, például farönkök, gyökerek, árkok, nehogy elessen bennük. Legyen rendkívül óvatos, amikor lejtőkön vagy egyenetlen talajon dolgozik.
- Ne használja létrán, tetőn, fán vagy más instabil tartón. Stabil testhelyzetben, szilárd felületen jobban irányítása alatt tudja tartani a sövénynyírót váratlan helyzetekben.
- Mindenkor ügyeljen a vágópengére – ne vágjon a sövénynyíróval olyan területen, amelyet nem lát be. Amikor magasabb sövény tetejét nyírja, akkor rendszeresen ellenőrizze a sövény másik oldalát, hogy ne legyenek ott nézelődők, állatok vagy akadályok.
- A sövénynyíró további használata előtt ellenőrizze a sérült alkatrészeket. Ellenőrizze a mozgó részek

beállítását és rögzítését, vizsgáljon meg minden részt, nem sérült-e, és ellenőrizze, nem állnak-e fenn olyan körülmények, amelyek befolyásolhatják a helyes kezelést.

- Rendszeres időközönként ellenőrizze a penge és a motor alátéteit, hogy megfelelően szorosak-e. Szemrevételezéssel is ellenőrizze a penge sérülését (pl. behajlott, megrepedt és elkopott). A pengét csak az EGO™ pengéjével cserélje ki.
- A pengét cserélje ki, ha behajlott, vagy megrepedt. A kiegyensúlyozatlan penge vibrációt okoz, amely megrongálhatja a motoregységet, vagy személyi sérülést okozhat.
- Ha a felszerelés rendellenesen vibrálni kezd, akkor azonnal állítsa le a motort, és ellenőrizze az okot. A vibráció általánosságban problémára figyelmeztet.
- A sövénynyíró 26 mm-nél vékonyabb száraz vágásához használja.
- Csak nappali világosságnál vagy megfelelő mesterséges megvilágítás mellett nyírjon.
- Ne használja az akkumulátorral működtetett sövénynyírót esőben.

KIEGÉSZÍTŐ FIGYELMEZTETÉSEK

- Ne töltsé az akkumulátoregységet esőben vagy nedves helyiségekben.
- Csak az A.ábrán felsorolt akkumulátoregységeket és töltőket használja.
- Az akkumulátoregységet ki kell venni, mielőtt kiselejtezi a készüléket.
- Az akkumulátort biztonságosan kell ártalmatlanítani.
- Az akkumulátorokat tűzbe dobni tilos! Az akkumulátorok felrobbanhatnak. Ellenőrizze a lehetséges speciális ártalmatlanítási utasítások helyi kódját.
- Ne nyissa ki, és ne rongálja meg az akkumulátort. A felszabaduló elektrolit maró hatású, és sérülést okozhat a szemben vagy a bőrön. Lenyelve mérgező lehet.
- ▲ **FIGYELEM!** Az elektrolit kénsav, amely káros a bőrre és a szemre. Elektromosan vezetőképes és rozsdásodást okoz.
- Bánjon nagyon óvatosan az akkumulátorokkal, hogy ne zárja rövidre olyan vezetőképes anyagokkal, mint a gyűrűk, karkötők és kulcsok. Az akkumulátor vagy a konduktor túlmelegedhet, és égési sérülést okozhat.
- Az akkumulátorral működő szerszámokat nem kell hálózati aljzathoz csatlakoztatni; ezért mindig működőképes állapotban vannak. Ügyeljen a lehetséges veszélyekre, akkor is, ha a szerszám nem működik. Legyen óvatos karbantartás és szervizelés közben.

- A szerszám szervizelése, tisztítása vagy anyagok eltávolítása előtt vegye ki az akkumulátoregységet.
- Cserealkatrészek - Javításkor használjon azonos EGO pótalkatrészeket. Bármilyen másik tartozék vagy alkatrész használata megnöveli a sérülések kockázatát.
- Az elektromos kéziszerszámot szakképzett személyrel, eredeti cserealkatrész felhasználásával javíttassa meg. Ezzel biztosítja az elektromos kéziszerszám biztonságának fenntartását.
- Ne mossa tömlővel; ne kerüljön víz a motorba és az elektromos csatlakozásokba.
- A szerszámot száraz és magas, vagy gyermekek elől elzárt helyen tárolja.
- Amennyiben olyan helyzet adódik, amely nem szerepel a jelen használati útmutatóban, akkor óvatosan és kellő mérlegeléssel cselekedjen. Forduljon az EGO szervizközpontoz segítségért.
- Őrizze meg ezeket az utasításokat. Időnként olvassa át, és használja, amikor másokat a kéziszerszám használatára tanít be. Ha valakinek kölcsön adja a szerszámot, akkor adja át a használati utasítást is a helytelen használat és lehetséges sérülések elkerülése érdekében.

ŐRIZZE MEG EZEKET AZ UTASÍTÁSOKAT
MEGJEGYZÉS: KIEGÉSZÍTŐ BIZTONSÁGI SZABÁLYOK A FÜSZEGÉLVÁGÓ HASZNÁLATI ÚTMUTATÓJÁBAN TALÁLHATÓK.

- A fenti paraméterek PH1400E meghajtófejjel felszerelve kerültek tesztelésre és mérésre.
- A névleges rezgési összérték mérése standard bevizsgálási módszerrel történt, és használatával a szerszámok egymással összehasonlíthatók.
- A névleges rezgési érték a kockázat előzetes felméréséhez is felhasználható.

MEGJEGYZÉS: A rezgés kibocsátás az elektromos szerszám aktuális használata közben eltérhet attól a névleges értéktől, amellyel a szerszámot használják: a kezelő védelme érdekében a használatnak kesztyűt és hallásvédőt kell használnia működtetés közben.

CSOMAGOLÁS TARTALMA

ALKATRÉSZ NEVE	MENNYISÉG
Sövénynyíró alkatrész	1
Csavarkulcs	1
Penge tartó	1
Használati útmutató	1

LEÍRÁS

ISMERJE MEG A SÖVÉNNYÍRÓ ALKATRÉSZEIT
 (A. ábra)

1. Vágópenge
2. Fogaskerék
3. Trigger
4. Sövénynyíró tengely
5. Karmantyú
6. Zárósapka
7. Beállító kar
8. Szerelvényburkolat
9. Csavarkulcs
10. Penge tartó
11. Pengevég-védő (opcionális, KÜLÖN KAPHATÓ)

ÖSSZESZERELÉS

▲ FIGYELMEZTETÉS: Ha bármely alkatrész sérült vagy hiányzik, akkor ne működtesse a terméket, amíg az alkatrészeket ki nem cserélik. Sérült vagy hiányzó alkatrészekkel való használat súlyos személyes sérülést okozhat.

▲ FIGYELMEZTETÉS: Ne próbálja megváltoztatni a terméket, és ne készítsen hozzá tartozékokat, amelyek nem javasoltak ehhez az ágazófűrészhez. Bármilyen módosítás vagy változtatás helytelen használatnak minősül, és veszélyes feltételeket teremthet, amely súlyos személyi sérüléssel végződhet.

HU

MŰSZAKI ADATOK

Kés hosszúsága	51 cm	
Vágási kapacitás	26 mm	
Súly (akkumulátoregység)	2,20 kg	
Javasolt működési hőmérséklet	0°C-40°C	
Javasolt tárolási hőmérséklet	-20°C-70°C	
Mért hangteljesítményszint L_{WA}	92,3 dB(A) K=2,72 dB(A)	
Hangnyomásszint a kezelő fülénél L_{PA}	80,4 dB(A) K=3 dB(A)	
Garantált hangteljesítményszint L_{WA} (a 2000/14/EK szerint)	95 dB(A)	
Vibráció a_h	Elülső segédfofantyú	4,9 m/s ² K=1,5 m/s ²
	Hátsó fofantyú	6,7 m/s ² K=1,5 m/s ²

▲ FIGYELMEZTETÉS: Soha ne csatlakoztasson vagy állítson be tartozékokat, mialatt a meghajtófej működésben van, vagy ha az akkumulátor be van helyezve. Ha nem sikerül leállítani a motort, vagy kivenni az akkumulátort, akkor az súlyos személyi sérüléseket okozhat.

A VÁGÓPENGE BEÁLLÍTÁSA

Amikor kiveszi a sövénynyírórt a csomagolásból, akkor a tárolási pozícióba van hajtva, a vágópengé a tengelyre van hajtva (B ábra). Javasoljuk, hogy állítsa be a vágópengét megfelelő munkapozícióba, mielőtt a meghajtófeje csatlakoztatja.

12 lehetséges munkapozíció létezik. A vágópengé szöge felfelé 5 szinten állítható be 0°-tól (egyenestől) 45°-ig, beleértve a 0°-t is, és lefelé 7 szinten 0°-tól 90°-ig (derékszög lefelé néz) (C ábra), a 0°-t nem tartalmazza.

1. Nyomja meg a triggert a beállító karon, és közben fordítsa el a beállító kart a vágópengé kívánt vágási pozícióba való beállításához (D ábra).
2. Amikor elérte a kívánt pozíciót, akkor oldja ki a triggert. Egy kattánás jelzi, hogy a rögzítőkapocs a fogaskerékbe illeszkedik, megfelelően a helyén van (D ábra).

Az D ábra alkatrészeinek leírását lásd lent:

D-1	Fogaskerék
D-2	Rögzítőkapocs

▲ FIGYELMEZTETÉS: A sérülések kockázatának csökkentése érdekében csak akkor végezzen beállítást, ha a vágópengék álló helyzetben vannak. Soha ne érjen a pengékhez beállítás közben.

▲ FIGYELMEZTETÉS: A sérülések kockázatának csökkentése érdekében mindig állítsa le a kéziszerszámot, és helyezze fel a penge tartót, mielőtt a vágópengét tárolási helyzetbe, vagy a tárolási helyzetből normál munkahelyzetbe állítja.

A SÖVÉNYNYÍRÓ TARTOZÉK RÖGZÍTÉSE A MEGHAJTÓFEJRE/LEVÉTELE A MEGHAJTÓFEJRŐL

A sövénynyíró tartozékokat EGO 56 V-os LÍTIUM-ION PH1400E meghajtófejhez tervezték. A felső vágási pozíció mellett van egy oldalsó vágási pozíció is a sövénynyíró tengelyen, ahová a meghajtófejet csatlakoztathatja (E ábra). A részletes munkavégzési technikákat lásd a jelen használati útmutató „MUNKAVÉGZÉSI TECHNIKÁK” fejezetében.

Az E ábra alkatrészeinek leírását lásd lent:

E-1	Felső vágási pozíció
E-2	Oldalsó vágási pozíció

A sövénynyíró meghajtófejhez való csatlakoztatását lásd a PH1400E meghajtófej használati útmutatójának

„ALKATRÉSZ CSATLAKOZTATÁSA A MEGHAJTÓFEJHEZ” fejezetében.

A sövénynyíró meghajtófejről való levételét lásd a PH1400E meghajtófej használati útmutatójának „ALKATRÉSZ LEVÉTELE A MEGHAJTÓFEJRŐL” fejezetében.

PENGEVÉG VÉDŐ FELHELYEZÉSE (opcionális)

1. Használjon es imbuszkulcsot, hogy levegye a rövid csavart, a sima alátétgyűrűt, a perselyt és a csavaranyát (F ábra). Őrizzze meg a sima alátétgyűrűt, a csavaranyát és a perselyt.

Az F ábra alkatrészeinek leírását lásd lent:

F-1	Csavaranya	F-3	Sima alátétgyűrű
F-2	Persely	F-4	Rövid csavar

2. Illessze a pengevég-védőt a vágópengé széléhez, és tolja a helyére. Rögzítse egy új hosszú csavarral és anyával, valamint a megőrzött alátétgyűrűvel, persellyel és anyával (G ábra).

Az G ábra alkatrészeinek leírását lásd lent:

G-1	Csavaranya	G-4	Persely
G-2	Pengevég-védő	G-5	Sima alátétgyűrű
G-3	Csavaranya	G-6	Hosszú csavar

MŰKÖDTETÉS

▲ VESZÉLY: Soha ne vágjon elektromos vezetékek vagy áramforrások közelében. Amennyiben a vágópengék beakadnak egy elektromos vezetékbe, akkor **NE ÉRJEN A VÁGÓPENGEHEZ VAGY AZ ALUMÍNIUM RÚDHOZ! ELEKTROMOS ÁRAM ALÁ KERÜLHETNEK, AMI IGEN VESZÉLYES.** A sövénynyíró továbbra is a szigetelt hátsó fogantyúnál tartsa, vagy Öntől távol biztonságosan tegye le. Mielőtt megpróbálja kiszabadítani a vágópengét a vezetékből, válassza le az elektromos készüléket a sérült vezetékről. Amennyiben a vágópengéhez vagy a sövénynyíró más alkatrészeihez, vagy elektromos vezetékekhez ér, akkor az áramütés miatt súlyos sérülést vagy halált okoz.

▲ FIGYELMEZTETÉS: Ne hagyja, hogy a termékkel szerzett jártassága miatt óvatlanná váljon. Emlékezzon arra, hogy a másodperc töredéke alatt történő óvatlanság súlyos sérülést okozhat.

▲ FIGYELMEZTETÉS: Mindig viseljen oldalsó védőlemezzel ellátott védőszemüveget. Amennyiben nem ezt teszi, tárgyak repülhetnek a szemébe, és más komoly sérülések keletkezhetnek.

Minden használat előtt ellenőrizze a terméket, hogy nem sérült-e, nincsenek-e hiányzó vagy laza alkatrészek, például csavarok, anyák, alátétek, sapkák stb. Biztonságosan húzzon meg minden rögzítőt és kupakot, és ne működtesse a terméket, amíg minden hiányzó vagy sérült alkatrész ki nincs cserélve.

▲ FIGYELMEZTETÉS: A súlyos személyi sérülések elkerülése érdekében távolítsa el az akkumulátoregységet a szerszámból szervizelés, tisztítás, tartozékok cseréje vagy anyagok szerszámból való eltávolítása közben.

Minden használat után tisztítsa meg a szerszámot.

Lásd a Karbantartás fejezetben lévő tisztítási utasításokat.

ALKALMAZÁSOK

A terméket 26 mm-nél kisebb átmérőjű ágakkal rendelkező sövények és bokrok, vagy hasonló anyagok nyírásához használhatja.

MEGJEGYZÉS: A szerszámot csak az előírt célokra használja. Bármilyen más használat helytelen használatnak minősül.

A SÖVÉNYNYÍRÓ TARTOZÉK HASZNÁLATA A MEGHAJTÓFEJJELE

▲ FIGYELMEZTETÉS: Megfelelően oltózzon fel a sérülések kockázatának csökkentése érdekében, amikor a szerszámot működteti. Ne viseljen laza ruházatot vagy ékszereket. Viseljen védőszemüveget és fülvédőt; Viseljen erős, hosszú szárú nadrágot, cipőt és kesztyűt. Ne viseljen rövidnadrágot vagy szandált, és ne járjon mezítláb.

VÁGÁS ELŐKÉSZÍTÉSE

1. Állítsa be a vágópengét a kívánt munkahelyzetbe.
2. Vegye le a penge tartót a vágópengéről.
3. A biztonságos és jobb működés érdekében helyezze fel a vállszíjat a vállán keresztben. A vállszíjat kényelmes működtetési pozícióba állítsa. A vállszíj meghajtófejre való csatlakoztatását lásd a PH1400E meghajtófej használati útmutatójának „**A VÁLLSZÍJ FELSZERELÉSE**” fejezetében.

▲ FIGYELMEZTETÉS: A vállszíj gyorskioldó mechanizmus is veszélyes helyzetben. Ha vészhelyzet adódik, akkor azonnal vegye le a vállról, függetlenül attól, hogy van feltéve a szíj.

MUNKAVÉGZÉSI TECHNIKÁK

- **Vízszintes irányú vágás (szögbe állított vágópengével):** A talajhoz közel álló helyzetben vágjon, pl. alacsony sövényt.

Mozgassa a vágópengét fel és le, ahogy a sövény mentén halad – a vágópenge mindkét oldalát használja, ne tartsa a vágópengét a talajon (H ábra).

- **Vízszintes irányú vágás (egyenes vágópengével):** Tartsa a vágópengét 0° és 10° közötti szögben, amikor vízszintesen mozgatja a sövénynyírót. A vágópengét ívből mozgassa a sövény külső oldalán, hogy a levágott részek a talajra essenek (I J és K ábra).

javaslat: Csak olyan sövényt nyírjon, amelyek nem csipőmagasságnál alacsonyabbak ebben a vágási pozícióban.

- **Függőleges irányú vágás (szögbe állított vágópengével):** Úgy vágjon, hogy ne álljon közvetlenül a sövényhez, pl. virágágyás a kezelő és a sövény között.

Javasoljuk, hogy ebben a vágási pozícióban a sövénynyírót a meghajtófejhez oldalsó vágási pozícióban csatlakoztassa, hogy jobban uralni tudja a sövénynyíró (E ábra).

Mozgassa a vágópengét fel és le ívből, ahogy a sövény mentén halad – a vágópenge mindkét oldalát használja (L ábra).

- **Függőleges irányú vágás (egyenes vágópengével):** Extra hosszan elér mindent kiegészítő biztonsági egységek nélkül.

Mozgassa a vágópengét fel és le ívből, ahogy a sövény mentén halad – a vágópenge mindkét oldalát használja (M ábra).

- **Fej feletti vágás (szögbe állított vágópengével):** Tartsa függőlegesen a sövénynyíró, és mozgassa ívből, hogy maximálisan kihasználja a hatótávolságát (N ábra). A rendkívül magas sövényhez használjon hosszabbító rudat.

▲ FIGYELMEZTETÉS: Bármilyen fej feletti munkahelyzetben fásasztó a nyírás. A balesetek kockázatának minimalizálása érdekében csak rövid ideig dolgozzon ebben a pozícióban. A beállítható vágópengét úgy állítsa be, hogy a kéziszerszám alacsonyabb, kevésbé fásasztó pozícióban is tartható legyen (vállszíjjal), miközben megtartja a megfelelő távolságot.

A KÉSZÜLÉK INDÍTÁSA/LEÁLLÍTÁSA

Lásd „**A MEGHAJTÓFEJ INDÍTÁSA/LEÁLLÍTÁSA**” fejezetet a PH1400E meghajtófej használati útmutatójában.

KARBANTARTÁS

▲ FIGYELMEZTETÉS: Az egység ellenőrzése, tisztítása vagy szervizelése előtt állítsa le a motort, várjon, amíg minden mozgó alkatrész leáll, és vegye ki az akkumulátoregységet. A jelen utasítások be nem tartása súlyos személyi sérülést vagy anyagi kárt eredményezhet.

▲ FIGYELMEZTETÉS: Javitáskor használjon azonos pótalkatrészeket. Más alkatrészek használata veszélyt okozhat, vagy megrongálhatja a terméket. A biztonságosság és megbízhatóság biztosítása érdekében minden javítást szakképzett szerviztechnikus hajtson végre.

ÁLTALÁNOS KARBANTARTÁS

A műanyag alkatrészek tisztításához ne használjon oldószereket. A legtöbb műanyag a vegyi oldószerek által deformálódás általi sérülésnek van kitéve, ezek megrongálhatják őket. Használjon tiszta ruhát a szennyeződés, por, olaj, zsír stb. eltávolításához.

AZ EGYSÉG TISZTÍTÁSA

- Használjon puha kefét a szennyeződések levegő bemeneti nyílások és a pengéről való eltávolításához.
- A gyanta és más ragadós maradvány eltávolításához fújja be a pengéket gyantaoldó szerrel. Rövid ideig indítsa be a motort, hogy az oldószer egyenletesen el legyen osztva.
- Ne használjon erős tisztítószereket a műanyag burkolaton vagy a fogantyún. Ezek megsérülhetnek a különböző aromaolajaktól, pl. fenyő vagy citrom, és az olyan oldószerektől, mint a kerozin. A nedvesség szintén áramütés veszélyét okozhatja. A nedvességet egy puha, száraz törölvél törölje le. Soha ne használjon vizet a kéziszerszám tisztításához.

A VÁGÓPENGE ÉLEZÉSE

Ha vágás közben romlik a teljesítmény és a vágás, pl. a pengék rendszeresen beakadnak ágakba: akkor élezze meg a vágópengéket.

Javasoljuk, hogy a vágópengék élezését szakképzett szakszerviz szakember végezze el.

▲ MEGJEGYZÉS: Ne működtesse a sövénynyíró torma vagy sérült vágópengével. Ez túlterhelést okozhat, és a vágási eredmény nem lesz megfelelő.

A PENGE KENÉSE

A rozsdásodás megelőzése érdekében javasoljuk, hogy a pengéket kenje be rozsdásodás ellen védő olajjal, mielőtt hosszabb ideig tárolja.

▲ FIGYELMEZTETÉS: A pengék élesek. A vágószerszám kezelésénél viseljen csúszásgátló, nagy teherbírási védőkesztyűt. Ne tegye a kezét vagy ujjait a pengék közé, vagy olyan pozícióba, ahol beszorulhat vagy megvághatja. SOHA NE érjen a pengékhez, és ne ellenőrizze az egységet behelyezett akkumulátoregységgel.

SEBESSÉGVÁLTÓ OLAJOZÁSA

A szerelvényburkolatban lévő sebességváltót időnként be kell olajozni kenőanyaggal. Ellenőrizze a szerelvényburkolat kenőanyag szintjét minden 50. működési óra után, úgy, hogy leveszi a szerelvényburkolat oldalán lévő rögzítőcsavart. Három rögzítőcsavar van, egy oldalt és kettő fent.

Ha nem lát kenőanyagot a burkolat oldalán, akkor kövesse a lentí lépéseket, hogy feltöltse a térfogat 3/4-éig kenőanyaggal.

Ne töltse fel teljesen a sebességváltót.

1. Attól függően, hogy melyik csavart távolítja el, tartsa a sövénynyíróát az oldalán, vagy fektesse a hátuljára, hogy a rögzítőcsavar felfelé nézzen (O és P ábra).
2. Használja a mellékelt csavarkulcsot a rögzítőcsavar meglazításához és levételéhez.
3. Használjon zsírozó fecskendő (nem tartozék), hogy kenőanyagot vigyen fel a csavar nyílásra; ne lépje túl a 3/4 térfogatot.
4. Befecskendezés után húzza meg a rögzítőcsavart.

AZ EGYSÉG TÁROLÁSA

- Vegye ki az akkumulátoregységet a szerszámból.
- Tárolás előtt alaposan tisztítsa meg a szerszámot.
- Helyezze fel a penge tartót a vágópengére tárolás vagy szállítás előtt. Legyen elővigyázatos, ne érjen a penge éles fogaihoz.
- Amennyiben a sövénynyíró tartozékot leveszi a meghajtófejről, és külön tárolja, akkor helyezze fel a zárósapkát a tartozék tengelyre, hogy ne kerüljön szennyeződés a csatlakozóba.
- Az egységet száraz, jól szellőző, elzárt vagy magas helyen tárolja, ahol gyermekek nem érik el. Ne tárolja az egységet benzín vagy más vegyszerek mellett.

Varo van je okolja



Električne opreme, polnilnika baterij in baterij/baterij, ki jih je mogoče polniti, ne odvrzite med gospodinjstvo odpadke!

V skladu z evropskim zakonom 2012/19/EU glede električne in elektronske opreme, ki ni več uporabna, in v skladu z evropskim zakonom 2006/66/EC glede pokvarjenih ali izrabljenih baterijskih sklopov/baterij, je treba baterije zbrati ločeno.

Če električne naprave odvrzete na smetišča, lahko nevarne snovi pronicajo v podtalnico in tako pridejo v prehranjevalno verigo, s čimer ogrozijo vaše zdravje in dobro počutje.

HU

HIBAELHÁRÍTÁS

PROBLÉMA	A PROBLÉMA OKA	MEGOLDÁS
A sövénynyíró nem működik.	<ul style="list-style-type: none"> ■ Az akkumulátoregység nincs csatlakoztatva a sövénynyíróba. ■ Nincs elektromos kapcsolat a sövénynyíró és az akkumulátor között. ■ Az akkumulátoregység lemerült. ■ Nem nyomta meg a kapcsoló gombot, mielőtt megnyomta a triggert. ■ Az akkumulátoregység vagy a meghajtófej túl forró. ■ A penge beakadt. ■ A sövénynyíró nincs megfelelően csatlakoztatva a meghajtófejhez. 	<ul style="list-style-type: none"> ■ Csatlakoztassa az akkumulátoregységet a sövénynyíróhoz. ■ Vegye ki az akkumulátoregységet, ellenőrizze a csatlakozást, és helyezze vissza az akkumulátoregységet. ■ Töltse fel az akkumulátoregységet. ■ Nyomja meg és tartsa lenyomva a kapcsoló gombot, majd oldja ki a triggert a kéziszerszám bekapcsolásához. ■ Hagyja kihűlni az akkumulátoregységet vagy a meghajtófejet 67 °C alatti hőmérsékletre. ■ Vegye ki az akkumulátoregységet a szerszámból. Óvatosan távolítsa el az akadályt, majd helyezze vissza az akkumulátort, és indítsa el a kéziszerszámot. ■ Vegye le a sövénynyírót a meghajtófejről. A csatlakoztatást lásd a PH1400E meghajtófej használati útmutatójának ALKATRÉSZ CSATLAKOZTATÁSA A MEGHAJTÓFEJHEZ fejezetében.
Rendkívül magas vibráció vagy zaj.	<ul style="list-style-type: none"> ■ Száraz vagy rozsdás pengék. ■ A pengék vagy pengetartó elgörbült. ■ Elgörbült vagy sérült fog. ■ Laza penge csavarok. 	<ul style="list-style-type: none"> ■ Kenje be a pengéket. ■ Cserélje ki új pengére vagy tartóra. Forduljon az EGO szervizközpontoz a penge vagy tartó kicserélése érdekében. ■ Cserélje ki új pengére vagy tartóra. Forduljon az EGO szervizközpontoz a penge vagy tartó kicserélése érdekében. ■ Húzza meg a penge csavarjait. Meghúzáshoz a es csavarkulccsal (nem tartozék) fordítsa el a csavart az óramutató járásával megegyező irányba.

HU

GARANCIA

EGO GARANCIÁLIS FELTÉTELEK

Kérjük, látogasson el az egopowerplus.com oldalra, ahol megtalálja a részletes EGO garanciális feltételeket.

CITIȚI TOATE INSTRUCȚIUNILE!



Citiți Manualul De Instrucțiuni

⚠ Riscuri reziduale! Persoanele cu dispozitive electronice precum stimulatoare cardiace ar trebui să-și consulte medicul (medicii) înainte de a utiliza acest produs. Utilizarea unui echipament electric în imediata apropiere a unui stimulator cardiac poate cauza interferențe sau pana stimulatorului.

⚠ AVERTISMENT: Pentru siguranța și fiabilitatea produsului, toate reparațiile ar trebui efectuate de către un tehnician de service autorizat.

SIMBOLURI PRIVIND SIGURANȚA

Scopul simbolurilor privind siguranța este să vă atragă atenția asupra pericolelor posibile. Simbolurile privind siguranța și explicațiile furnizate cu acestea merită atenția și înțelegerea dumneavoastră. Simbolurile de avertizare, ele singure, nu elimină niciun pericol. Instrucțiunile și avertismentele pe care le oferă nu pot înlocui măsurile corecte de prevenire a accidentelor.

⚠ AVERTISMENT: Asigurați-vă că ați citit și înțelegți toate instrucțiunile privind siguranța din acest Manual de utilizare, inclusiv toate simbolurile de alertă privind siguranța precum "PERICOL," "AVERTISMENT," și "ATENȚIE" înainte de a utiliza această sculă. Nerespectarea tuturor avertismentelor și instrucțiunilor poate duce la electrocutare, incendiu și/sau răni grave.

SEMNIFICAȚIA SIMBOLURILOR

⚠ SIMBOL DE AVERTIZARE PRIVIND

SIGURANȚA: Indică PERICOL, AVERTISMENT, sau ATENȚIE. Poate fi utilizat împreună cu alte avertismente sau pictograme.









⚠ AVERTISMENT: Operarea oricăror scule electrice poate rezulta în proiectarea înapre ochii dumneavoastră a unor obiecte străine, ceea ce poate duce la vătămări grave ale ochilor. Înainte de a începe să utilizați scula electrică, întotdeauna purtați ochelari de protecție cu apărători laterale și vizieră facială completă când este nevoie. Vă recomandăm să purtați o Vizieră lată de protecție peste ochelarii de vedere sau ochelari de protecție standard cu apărători laterale.

INSTRUCȚIUNI PRIVIND SIGURANȚA

Această pagină descrie simbolurile de siguranță ce pot apărea pe acest produs. Citiți, înțelegeți, și respectați toate instrucțiunile de pe mașină înainte de asamblare și operare.

	Alertă privind siguranța	Indică un risc posibil de vătămare personală.
	Citiți toate instrucțiunile!	Pentru a reduce riscul de rănire, utilizatorul trebuie să citească și să înțeleagă manualul de instrucțiuni înainte de a utiliza acest produs.
	Purtați echipament de protecție oculară	Purtați întotdeauna ochelari de protecție sau ochelari de protecție cu apărători laterale și o vizieră facială completă când utilizați acest produs.
	Purtați echipament de protecție a capului	Purtați o cască de protecție aprobată pentru a vă proteja capul.
	Purtați echipament de protecție auditivă	Purtați întotdeauna echipament de protecție auditivă când utilizați această sculă.
	Lungime lamă	Lungimea lamei
	Tăierea Capacitate	Capacitatea maximă de tăiere a lamei

RO

	Țineți mâinile și picioarele departe de scula de tăiere	Nu încercați să utilizați scula electrică cu o singură mână. Pierderea controlului asupra sculei electrice se poate solda cu vătămare gravă sau deces. Pentru a reduce riscul de răni cauzate de tăieturi, țineți-vă la distanță mâinile și picioarele de scula de tăiere. Nu atingeți niciodată o sculă de tăiere în mișcare cu mâna sau cu orice altă parte a corpului dumneavoastră.
	Țineți trecătorii la distanță	Asigurați-vă că terții și animalele de companie se află o distanță de cel puțin 15m de trimmerul cu tijă de tăiere a gardului viu când acesta este în funcțiune.
	Anu se expune la ploaie	Nu utilizați acest produs în ploaie și nu-l lăsați în exterior în timp ce plouă.
IPX4	Simbol IP	Protecție împotriva pătrunderii apei de grad 4
	CE	Acest produs este în conformitate cu directivele CE aplicabile.
	DEEE	Deșeurile produselor electrice nu trebuie să fie eliminate împreună cu deșeurile menajere. Predați-le unui punct de reciclare autorizat.
	Zgomot	Nivel garantat al puterii sonore. Emisii sonore în mediul înconjurător conform Directivei Comunității Europene.
V	Volt	Voltaj
mm	Milimetru	Lungime sau dimensiuni
cm	Centimetru	Lungime sau dimensiuni
kg	Kilogram	Greutate

INSTRUCȚIUNI IMPORTANTE PRIVIND SIGURANȚA

⚠ AVERTISMENT! Când utilizați echipamente electrice de grădină, trebuie să respectați întotdeauna instrucțiunile de bază privind securitatea, inclusiv următoarele, pentru a reduce riscul de incendiu, șoc electric și vătămare corporală.

CITIȚI CU ATENȚIE ÎNAINTE DE UTILIZARE

PĂSTRAȚI PENTRU CONSULTARE ULTERIOARĂ

⚠ PERICOL! A nu se utiliza în apropierea liniilor electrice de înaltă tensiune. Produsul nu a fost proiectat pentru a oferi protecție împotriva electrocutării în cazul contactului cu linii electrice suspendate. Consultați normele locale privind distanța de siguranță față de liniile de înaltă tensiune suspendate și pentru a vă asigura că poziția de utilizare este sigură și nu prezintă pericole înainte de a utiliza scula.

INSTRUCȚIUNI GENERALE DE SIGURANȚĂ PENTRU TRIMMER DE GARD VIU

⚠ PERICOL! Țineți mâinile departe de lamă. Contactul cu lama va cauza vătămări grave.

- Țineți toate părțile corpului la distanță de lamele trimmerului. Nu îndepărtați materialul tăiat și nu țineți de materialul ce trebuie tăiat când lamele sunt în mișcare. Asigurați-vă că opriți trimmerul când îndepărtați materialul blocat. Un moment de neatenție în timp ce utilizați trimmerul de gard viu se poate solda cu vătămări personale grave.
- În cazul mașinilor cu o poziție de transport determinată (lama de tăiere pliată pentru aplatizare de tija trimmerului): Nu porniți niciodată mașina când aceasta se află în poziția de transport, deoarece lamele nu sunt activate în acea poziție și din acest motiv nu vă puteți asigura vizual că lama se oprește în punct fix când începeți să ajustați lama de tăiere în poziția de tăiere dorită (când lamele sunt activate).
- Transportați trimmerul de gard viu ținându-l de mâner, cu lama tăietoare oprită. Când transportați sau depozitați aparatul de tăiat gard viu, echipați-l întotdeauna cu teaca dispozitivului de tăiere. Manevrarea corespunzătoare a trimmerului de tăiat gard viu va reduce posibilitatea vătămării personale de la lamele acestuia.
- Nu apucați lamele de tăiere expuse sau muchiile de tăiere când apucați sau țineți trimmerul pentru gard viu.
- Țineți scula electrică numai de suprafețele izolate speciale deoarece lama poate contacta cablaje ascunse. Lamele dispozitivului de tăiere care intră în contact cu un circuit sub tensiune pot pune sub tensiune părțile metalice exterioare ale sculei electrice și pot electrocuta operatorul.

- **Țineți cablul de alimentare la distanță de zona de tăiere.** În timpul funcționării sculei electrice, cablul de alimentare poate fi mascat în tufe și poate fi tăiat accidental de lame.
- **Înainte de tunderii, inspectați gardul viu pentru depistarea obiectelor străine, de ex. garduri de sârmă.**
- **Pentru a reduce riscul de rănire datorat pierderii controlului, fiți absolut siguri că lama de tăiere nu se află lângă dumneavoastră și în apropierea altor blocaje și obiecte, inclusiv solul, deoarece în momentul pornirii sculei, viteza motorului va fi suficient de mare încât să activeze și să deplaseze lama de tăiere pe sculă.**
- **Nu permiteți accesul altor persoane în zona generală de lucru.** Asigurați-vă că terții și animalele de companie se află o distanță de cel puțin 15m de trimmerul cu tijă de tăiere a gardului viu când acesta este în funcțiune.
- **Nu permiteți niciodată copiilor să utilizeze trimmerul de gard viu.**
- **Utilizați ambele mâini când folosiți trimmerul de gard viu.** Utilizarea unei singure mâini poate cauza pierderea controlului și rezulta în vătămări personale grave.
- **Nu vă întindeți excesiv.** Păstrați-vă stabilitatea și echilibrul în orice moment. Aveți grijă deosebită în condiții alunecoase (teren ud, zăpadă) și pe teren dificil, cu vegetație abundentă. Atenție la obiecte ascunse precum buturugi de copaci, rădăcini și șanțuri pentru a evita căderea. Aveți grijă extremă când lucrați pe pante sau pe teren neuniform.
- **Nu utilizați aparatul când vă aflați pe o scară, acoperiș, copac sau alt suport instabil.** Poziționarea stabilă pe o suprafață solidă permite un mai bun control asupra trimmerului în situații neașteptate.
- **Observați în permanență lamele de tăiere - nu tundeți nicio porțiune din gardul viu dacă nu o puteți vedea.** Când tăiați partea de deasupra a unui gard viu mai înalt, verificați frecvent cealaltă latură pentru a vedea dacă sunt trecători, animale și blocaje.
- **Verificați componentele defecte înainte de a utiliza trimmerul în continuare.** Verificați coaxialitatea pieselor în mișcare, neobstrucționarea pieselor în mișcare, defectări ale pieselor, montajul și orice altă situație care poate afecta funcționarea sculei.
- **La intervale frecvente, verificați dacă lama și bolțurile de montare a motorului sunt strânse corect.** De asemenea, inspectați vizual lama pentru depistarea avariilor (de ex. lamă îndoită, crăpată și uzată). Înlocuiți lama numai cu o lamă de la EGO™.

- Înlocuiți lama dacă aceasta este îndoită sau crăpată. O lamă dezechilibrată produce vibrații care ar putea avea unitatea de acționare a motorului sau cauza vătămări personale.
- Dacă echipamentul începe să producă vibrații anormale, opriți motorul și identificați imediat cauza. Vibrațiile sunt în general semnul unor probleme.
- Trimmerul trebuie utilizat pentru tăierea tulpinilor cu grosimea mai mică de 26mm.
- Utilizați trimmerul numai pe timp de zi sau în condiții de lumină artificială bună.
- Nu utilizați trimmerul cu acumulator de tuns gardul viu în ploaie.

AVERTISMENTE SUPLIMENTARE

- **Nu încărcăți setul de acumulatori în condiții de ploaie sau de umezeală.**
- **Utilizați numai seturile de acumulatori și încărcătorii din fig.A.**
- Setul de acumulatori trebuie scos din aparat înainte de eliminarea acestuia.
- Acumulatorul trebuie eliminat într-un mod nepericulos.
- **Nu eliminați acumulatorii aruncându-i în foc.** Celulele riscă să explodeze. Verificați normele locale privind eventualele instrucțiuni speciale de eliminare.
- **Nu desfaceți sau să mutilați acumulatorul.** Electroliul eliberat este coroziv și poate afecta ochii și pielea. Acesta poate fi toxic dacă este înghițit.
- ▲ **ATENȚIE!** Electroliul este un acid sulfuric diluat care este dăunător pielii și ochilor. Acesta este un conductor electric și coroziv.
- **Atenție când manevrați acumulatori pentru a scurtcircuita acumulatorul cu materiale conductoare precum inele, brățări și chei.** Acumulatorul sau conductorul se pot supraîncălzi și cauza arsuri.
- **Sculele electrice alimentate cu baterii nu trebuie să fie racordate la o priză electrică, de aceea, acestea sunt întotdeauna în stare de funcționare.** Atenție la eventualele riscuri chiar și când scula nu este în funcțiune. Aveți grijă când efectuați operații de întreținere sau de service.
- **Îndepărtați setul de acumulatori înainte de a efectua operațiuni de service de a curăța sau de a îndepărta materiale din sculă.**
- **Piese de schimb** - În cazul operațiilor de service, utilizați numai piese de schimb EGO identice. Utilizarea oricăror alte accesorii sau componente poate crește riscul de rănire.

RO

- **Apelați numai la o persoană calificată pentru a vă repara scula electrică utilizând numai piese de schimb identice.** Astfel se asigură menținerea nivelului de siguranță al sculei electrice.
- **Nu spălați trimmerul cu furtunul de grădină; evitați pătrunderea apei în motor și în conexiunile electrice.**
- **Depozitați scula într-un loc uscat și înalt ori închisă sub cheie, inaccesibil copiilor.**
- **În cazul situațiilor care nu sunt adresate în acest manual, utilizați grijă și raționament. Contactați centrul de service EGO pentru asistență.**
- **Păstrați aceste instrucțiuni.** Consultați-le frecvent și utilizați-le pentru a instrui alte persoane care ar putea utiliza această sculă electrică. Dacă împrumutați cuiva această sculă, împrumutați-i și aceste instrucțiuni pentru a preveni utilizarea inadecvată a produsului și posibile răni.

PĂSTRAȚI ACESTE INSTRUCȚIUNI

NOTĂ: CONSULTAȚI MANUALUL DE INSTRUCȚIUNI AL CAPULUI DE ALIMENTARE PENTRU REGULI SUPPLEMENTARE DE SIGURANȚĂ SPECIFICE

SPECIFICAȚII

Lungime lamă	51 cm	
Capacitate de tăiere	26 mm	
Greutate (fără set de acumulatori)	2,20 kg	
Temperatură de funcționare recomandată	0°C-40°C	
Temperatură de stocare recomandată	-20°C-70°C	
Nivel de putere sonoră măsurată L_{WA}	92,3 dB(A) K=2,72 dB(A)	
Nivel de presiune sonoră la urechea operatorului L_{PA}	80,4 dB(A) K=3 dB(A)	
Nivel de putere sonoră garantat L_{WA} (conform 2000/14/CE)	95 dB(A)	
Vibrații a_n	Mâner frontal de operare	4,9 m/s ² K=1,5 m/s ²
	Mâner posterior	6,7 m/s ² K=1,5 m/s ²

- Parametrii de mai sus sunt testați și măsurați când scula este echipată cu capul de alimentare PH1400E.
- Valoarea totală declarată a vibrațiilor a fost măsurată în conformitate cu o metodă standard de testare și poate fi utilizată pentru compararea sculelor între ele;

- Valoarea totală declarată poate fi utilizată în evaluarea preliminară a expunerii.

OBSERVAȚIE: Vibrațiile emise în timpul utilizării efective a sculei electrice pot diferi față de valoarea celor declarate pentru scula utilizată; Pentru protejerea operatorului, utilizatorul trebuie să poarte mănuși și protecții auditive în timpul utilizării efective a produsului.

CONȚINUTUL AMBALAJULUI

DENUMIRE PIESĂ	CANTITATE
Accesoriu trimmer cu tijă de tuns gardul viu	1
Cheie	1
Teacă lamă	1
Manual de instrucțiuni	1

DESCRIERE

DESCRIEREA ACCESORIULUI TRIMMER CU TIJĂ DE TUNS GARD VIU (Fig. A)

1. Lamă de tăiere
2. Cuadrant
3. Declanșator
4. Ax trimmer cu tijă de tuns gardul viu
5. Manșon moale
6. Dop
7. Manetă de ajustare
8. Carcasă angrenaj
9. Cheie
10. Teacă lamă
11. Vârf protector (Opțional, VÂNDUT SEPARAT)

ASAMBLAREA

⚠️ AVERTISMENT: În caz de piese avariate sau care lipsesc, nu utilizați acest produs dacă piesele nu sunt înlocuite. Utilizarea acestui produs cu piese avariate sau lipsă poate rezulta în vătămări personale grave.

⚠️ AVERTISMENT: Nu încercați să modificați acest produs sau să creați accesorii nerecomandate pentru acest ferăstrău cu tijă. Orice alterare sau modificare este considerată utilizare greșită și poate duce la condiții periculoase ce pot rezulta în vătămări personale grave.

⚠️ AVERTISMENT: Niciodată nu instalați, îndepărtați sau ajustați vreun dispozitiv în timp ce capul de alimentare este în funcțiune sau dacă acumulatorul este instalat. Neoprirea motorului și neîndepărtarea acumulatorului se pot solda cu răni personale grave.

AJUSTAREA LAMEI DE TĂIERE

Când trimmerul cu tijă de tuns gard viu este scos din ambalaj, este pliat în poziția sa de depozitare cu lama atingând axul (Fig. B). Se recomandă să ajustați lama de tăiere pentru a avea o poziție de lucru adecvată înainte de atașarea accesoriului la capul de alimentare.

Există 12 poziții de lucru posibile. Unghiul lamei de tăiere poate fi ajustat în sus în 5 poziții de la 0° (drept) la 45°, incluzând 0° și în jos în 7 poziții de la 0° la 90° (unghiul drept îndreptat în jos) (Fig. C), neincluzând 0°.

1. Apăsăți declanșatorul de pe maneta de reglare și simultan, rotiți maneta de reglare pentru a ajusta lama de tăiere în poziția dorită de tăiere (Fig. D).
2. După obținerea poziției dorite, eliberați trăgaciul. Un declic sonor va indica anclanșarea știftului de blocare în cuadrant, exact în poziție (Fig. D).

Fig. D pentru descrierea componentelor consultați tabelul de mai jos:

D-1	Cuadrant
D-2	Știft de blocare

⚠️ AVERTISMENT: Pentru a reduce riscul de rănire, efectuați reglajele numai când lamele de tăiere sunt imobile. Nu atingeți niciodată lamele în timpul efectuării reglajelor.

⚠️ AVERTISMENT: Pentru a reduce riscul de rănire, întotdeauna opriți scula și instalați teaca lamei înainte de a poziționa lama de tăiere în poziția de depozitare sau din poziția de depozitare în poziția de lucru normală.

CONECTAREA /DETAȘAREA ACCESORIULUI DE TRIMMER CU TIJĂ DE TUNS GARD VIU LA CAPUL DE ALIMENTARE

Acest accesoriu de trimmer pentru tușuri este conceput pentru a fi utilizat cu Capul de alimentare EGO Power PH1400E alimentat cu acumulator de Litiu-Ion de 56V. În afara poziției de tundere a părții de deasupra, există o poziție de tundere laterală pe tija axului trimmerului de gard viu pentru conectarea cu capul de alimentare (Fig. E). Pentru tehnici de lucru descrise în detaliu, vă rugăm consultați secțiunea "TEHNICI DE LUCRU" din acest manual.

Fig. E pentru descrierea componentelor consultați tabelul de mai jos:

E-1	Poziție de tăiere partea de sus
E-2	Poziție de tăiere latură

Consultați secțiunea privind „**INSTALAREA UNUI ACCESORIU LA CAPUL DE ALIMENTARE**”, din manualul de instrucțiuni al capului de alimentare PH1400E pentru

instrucțiuni referitoare la conectarea trimmerului cu tijă pentru gard viu la capul de alimentare.

Consultați secțiunea privind „**DETAȘAREA ACCESORIULUI DE LA CAPUL DE ALIMENTARE**”, din manualul de instrucțiuni al capului de alimentare PH1400E pentru instrucțiuni referitoare la deconectarea trimmerului cu tijă pentru gard viu de la capul de alimentare.

INSTALAREA VÂRFULUI PROTECTOR (Opțional)

1. Utilizați o cheie hexagonală de pentru a îndepărta bolțul scurt, șaiba normală, cuzinetul și piulița de la capătul lamei de tăiere (Fig. F). Păstrați bolțul scurt, șaiba normală, cuzinetul și piulița pentru reasamblare.

Fig. F pentru descrierea componentelor consultați tabelul de mai jos:

F-1	Piuliță	F-3	Șaibă normală
F-2	Cuzinet	F-4	Bolț scurt

2. Aliniați vârful protector cu proeminența de pe lamă și montați în poziție. Securizați cu un bolț lung nou și o piuliță precum și cu șaiba, cuzinetul și piulița păstrate (Fig. G).

Fig. G pentru descrierea componentelor consultați tabelul de mai jos:

G-1	Piuliță	G-4	Cuzinet
G-2	Protector de vârf	G-5	Șaibă normală
G-3	Piuliță	G-6	Bolț lung

UTILIZAREA

⚠️ PERICOL: Nu tăiați niciodată în apropierea liniilor de înaltă tensiune, a cablurilor electrice sau a altor surse electrice. În cazul blocării lamelor într-un cablu electric sau linie electrică, **NU ATINGEȚI LAMA DE TĂIERE SAU TIJA DE ALUMINIU ACESTEA POT FI PUSE SUB TENSIUNE ȘI POT DEVENI FOARTE PERICULOASE.** Continuați să țineți trimmerul cu tijă de tuns gardul viu de mânerul posterior izolat sau așezați-l pe jos și la distanță de dumneavoastră, într-un mod sigur. Deconectați alimentarea electrică a cablului sau a firului avariat înainte de a încerca să eliberați lama de tăiere din cablu sau din fir. Contactul cu lama de tăiere, cu alte părți conductoare a trimmerului cu tijă sau contactul cu cablurile electrice sub tensiune ori linii, poate fi fatal datorită electrocutării sau rănilor grave.

⚠️ AVERTISMENT: Nu permiteți ca familiarizarea cu acest produs să vă facă neglijent. Amintiți-vă că o fracțiune de secundă de neglijență este suficientă pentru a provoca vătămări grave.

RO

⚠️ AVERTISMENT: Purtați întotdeauna ochelari de protecție cu apărători laterale. Nerespectarea acestei instrucțiuni ar putea avea ca rezultat proiectarea în ochi a obiectelor și alte posibile vătămări grave.

Înainte de fiecare utilizare, inspectați întregul produs pentru depistarea de piese deteriorate, piese care lipsesc sau care sunt desfăcute, precum șuruburi, piulițe, bolțuri, capace etc. Strângeți bine toate elementele de fixare și capacele și nu puneți în funcțiune acest produs până când nu se înlocuiesc toate piesele deteriorate sau lipsă.

⚠️ AVERTISMENT: Pentru prevenirea rănilor personale grave, scoateți setul de acumulatori din sculă înainte de a depana, curăța, înlocui accesoriile sau de a îndepărta materialul din produs.

După fiecare utilizare, curățați scula.

Consultați în secțiunea Întreținerea pentru instrucțiuni privind curățarea.

APLICAȚII

Puteți utiliza acest produs pentru tunderea gardurilor vii, a tufișurilor, arbuștilor și a vegetației similare ale căror crengi au un diametru mai mic de Ø 26mm.

OBSERVAȚIE: Scula trebuie utilizată numai în scopul pentru care a fost proiectată. Orice altă utilizare este considerată a fi caz de utilizare necorespunzătoare.

UTILIZAREA TRIMMERULUI CU TIJĂ DE TUNS GARDUL VIU CU CAPUL DE ALIMENTARE

⚠️ AVERTISMENT: Îmbrăcați-vă corespunzător pentru a reduce riscul de rănire când utilizați această sculă. Nu purtați haine largi sau bijuterii. Purtați echipament de protecție/oculari și auditiv/pe pentru urechi. Purtați pantaloni lungi rezistenți, cizme și mănuși. Nu purtați pantaloni scurți, sandale sau să stați desculț.

PREGĂTIREA PENTRU TĂIERE:

1. Reglați lama de tăiere în poziția de lucru dorită.
2. Îndepărtați teaca lamei de pe lama de tăiere.
3. Pentru o utilizare mai sigură și mai bună, așezați-vă pe umăr cureaua de umăr. Reglați curea de umăr într-o poziție confortabilă de lucru. Urmați instrucțiunile din secțiunea "INSTALAREA CURELEI DE UMĂR" din manualul de instrucțiuni al capului de alimentare PH1400E pentru a atașa cureaua de umăr la capul de alimentare.

⚠️ AVERTISMENT: Cureaua de umăr este și un mecanism rapid de detașare în situații periculoase. În caz de urgență, îndepărtați imediat cureaua de pe umăr, indiferent de modul de instalare al curelei.

TEHNICI DE LUCRU

- **Tăierea orizontală (cu lama de tăiere în unghi):** Tăiați cât mai jos de sol dintr-o poziție verticală, de ex. tufișurile joase.

Balansați lama de tăiere în sus și în jos pe măsură ce vă deplasați de-a lungul gardului viu - utilizați ambele laturi ale lamelor de tăiere, nu sprijiniți lama de tăiere pe sol (Fig. H).

- **Tăierea orizontală (cu lama dreaptă de tăiere):**

Țineți lama de tăiere într-un unghi cuprins între 0° și 10° în timp ce balansați trimmerul cu tijă de tuns gard viu pe orizontală. Balansați lama de tăiere într-un arc înspre exteriorul gardului viu astfel încât vegetația tăiată este trasă înspre sol (Fig. I J & K).

Recomandare: În această poziție tundeți numai gardurile vii care nu vă depășesc nivelul pieptului.

- **Tăierea verticală (cu lama de tăiere în unghi):**

Tundeți fără să stați exact lângă gardul viu, de ex. strat de flori între utilizator și gard viu.

În această poziție, pentru un control mai bun al trimmerului cu tijă, se recomandă să conectați trimmerul de tuns gard viu la capul de alimentare în poziția de tundere laterală (vezi Fig. E).

Balansați lama de tăiere în sus și în jos într-un arc pe măsură ce vă deplasați de-a lungul gardului viu - utilizați ambele laturi ale lamei de tăiere (Fig. L).

- **Tăierea verticală (cu lama dreaptă de tăiere):** Acces cât mai departe fără a necesita alte ajutoare.

Balansați lama de tăiere în sus și în jos într-un arc pe măsură ce vă deplasați de-a lungul gardului viu - utilizați ambele laturi ale lamei de tăiere (Fig. M).

- **Tăierea deasupra capului (cu lama de tăiere în unghi)**

Țineți trimmerul de gard viu în poziție verticală și balansați-l într-un arc pentru a exploata la maxim raza sa de acțiune (Fig. N). Pentru garduri vii extrem de înalte, tijă extensibilă este adecvată pentru a vă ajuta la tuns.

⚠️ AVERTISMENT: Orice poziție de lucru deasupra capului este oboșitoare. Pentru a minimiza riscurile de accidente, lucrați în astfel de poziții numai pentru durate scurte de timp. Setati unghiul lamei de tăiere ajustabilă pe maxim astfel încât scula să poată să fie ținută într-o poziție mai joasă, mai puțin oboșitoare (folosind cureaua de umăr) continuând furnizarea unei raze de acțiune adecvate.

PORNIREA/OPRIREA SCULEI

Consultați secțiunea privind "PORNIREA/OPRIREA CAPULUI DE ALIMENTARE" din manualul de instrucțiuni al capului de alimentare PH1400E.

ÎNTREȚINEREA

⚠️ AVERTISMENT: Înainte de a inspecta, curăța sau de efectua operațiuni de service asupra aparatului, opriți motorul, asigurați-vă că toate componentele mobile sunt oprite și îndepărtați setul de acumulatori dacă este nevoie. Nerespectarea acestor instrucțiuni se poate solda cu vătămări corporale grave sau distrugerea bunurilor.

⚠️ AVERTISMENT: Când efectuați operații de service, utilizați doar piese de schimb identice. Utilizarea oricăror altor piese poate crea un pericol sau poate produce pagube. Pentru siguranța și fiabilitatea produsului, toate reparațiile ar trebui efectuate de către un tehnician de service autorizat.

ÎNTREȚINERE GENERALĂ

Evitați utilizarea solventilor când curățați piese din plastic. Majoritatea pieselor din plastic sunt susceptibile să se deterioreze de la diverse tipuri de solventi comerciali și se pot defecta prin utilizarea acestora. Utilizați cărpe curate pentru a îndepărta murdăria, praful, uleiul, vaselina etc.

CURĂȚAREA PRODUSULUI

- Utilizați o perie moale pentru îndepărtarea reziduurilor din toate prizele de aer și de pe lama de tăiere.
- Pentru îndepărtarea bitumului sau a altor reziduuri lipicioase, pulverizați pe lame un solvent de rășină. Puneți motorul în funcțiune un timp scurt astfel încât solventul să fie distribuit uniform.
- Nu utilizați detergenți puternici pe carcasa de plastic sau pe mâner. Acestea pot fi deteriorarea de anumite uleiuri parfumate precum brad și lămâie, și de către solventi precum kerosenul. Umezeala poate cauza un risc de electrocutare. Ștergeți orice urmă de umezeală cu o cârpă uscată. Nu utilizați niciodată apă pentru curățarea sculei.

ASCUȚIREA LAMEI DE TĂIERE

Când rezultatele tunsului și comportamentul încep să se deterioreze, de ex. lamele încep să se blocheze frecvent în crengi: Reascuțiți lamele de tăiere.

Se recomandă să apelați la un tehnician autorizat de service pentru ascuțirea lamelor.

⚠️ OBSERVAȚIE: Nu utilizați trimmerul de gard viu dacă are lame tocite sau avariate. Acest lucru poate duce la suprasolicitare și va furniza rezultate de tăiere nesatisfăcătoare.

LUBRIFIEREA LAMEI

Pentru a preveni rugina, se recomandă să lubrifiați lamele cu ulei antirugină când scula este depozitată timp îndelungat.

⚠️ AVERTISMENT: Lamele sunt ascuțite. Când manevrați ansamblul lamelor, purtați mănuși de protecție nonderapante, super rezistente. Nu vă amplasați mâna sau degetele între lame sau în orice poziție în care ar putea fi prinse sau tăiate. Nu atingeți NICIODATĂ lamele sau să depanați unitatea cu setul de acumulatori instalat.

LUBRIFIEREA ANGRENAJELOR DE TRANSMISIE

Angrenajele de transmisie din carcasa cutiei de viteze trebuie lubrificate periodic cu unsoare pentru angrenaje. Verificați nivelul unsorii din carcasa cutiei de viteze după fiecare 50 de ore de utilizare îndepărtând șurubul de etanșeizare de pe carcasa angrenajului. Există trei șuruburi de etanșeizare cu unul pe o latură și două deasupra.

Dacă pe laturile angrenajului nu se vede unsoare, urmați pașii de mai jos pentru a umple cu unsoare de angrenaj 3/4 din capacitate.

Nu umpleți complet angrenajele de transmisie.

1. În funcție de ce șurub îndepărtați, țineți tija trimmerului de gard viu. Țineți trimmerul culcat pe lateral sau așezați-l pe spate astfel încât șurubul de etanșeizare care trebuie îndepărtați să fie îndreptat în sus (Fig. O & P).
2. Utilizați cheia furnizată pentru a slăbi și îndepărta șurubul de etanșeizare.
3. Utilizați o seringă (neinclusă) pentru a injecta o cantitate de unsoare în orificiul șurubului; nu depășiți 3/4 din capacitate.
4. După injectare, strângeți șurubul de etanșeizare.

DEPOZITAREA PRODUSULUI

- Detașați setul de acumulatori de pe sculă.
- Curățați scula bine înainte de a o depozita.
- Instalați teaca pe lamă înainte de a o depozita sau transporta. Fiți precaut pentru a evita dinții ascuțiți ai lamei.
- Dacă trimmerul de tuns gard viu este detașat de capul de alimentare și depozitat separat, instalați dopul pe tija dispozitivului pentru a se evita pătrunderea murdăriei în cuplaj.
- Depozitați aparatul într-un loc uscat, bine aerisit, închis cu cheia sau la înălțime, în care copiii nu au acces. Nu depozitați produsul pe sau lângă fertilizanți, benzină sau alte chimicale.

RO

Protejarea mediului înconjurător



Nu eliminați echipamentul electric, încărcătorul de acumulatori și bateriile/acumulatorii împreună cu deșeurile menajere!

Conform Directivei europene 2012/19/UE, sculele echipamentele electrice și electronice care nu mai sunt utilizabile, și conform Directivei europene 2006/66/CE, seturile de acumulatori/bateriile defecte sau uzate trebuie colectate separat.

Dacă aparatele electrice sunt aruncate la groapa de gunoi sau la haldă, se pot scurge substanțe periculoase în pânza freatică și acestea pot intra în lanțul trofic, afectându-vă sănătatea și bunăstarea.

KRESSVAN DER'SBEKE
KREISSVAN DER'SBEKE

RO

GHID DE DEPANARE

PROBLEMĂ	CAUZĂ	SOLUȚIE
Trimmerul cu tijă de tuns gard viu nu funcționează.	<ul style="list-style-type: none"> ■ Setul de acumulatori nu este atașat la trimmer. ■ Nu există contact electric între trimmer și acumulator. ■ Setul de acumulatori este descărcat. ■ Butonul de siguranță nu este apăsat înainte de a apăsa trăgaciul declanșator. ■ Setul de acumulatori sau capul de alimentare sunt prea fierbinți. ■ Lama este blocată. ■ Trimmerul cu tijă de tuns gard viu nu este conectat corect la capul de alimentare. 	<ul style="list-style-type: none"> ■ Atașați setul de acumulatori de trimmer. ■ Îndepărtați acumulatorul, verificați contactele și reinstalați setul de acumulatori. ■ Încărcați setul de acumulatori. ■ Apăsăți în jos maneta de blocare și țineți-o apăsată, după care apăsați trăgaciul declanșator pentru a pune trimmerul în funcțiune. ■ Lăsați setul de acumulatori sau capul de alimentare să se răcească până când temperatura scade sub 67°C. ■ Detașați setul de acumulatori de pe sculă. Îndepărtați blocajul cu atenție și după care reinstalați setul de acumulatori și reporniți scula. ■ Deconectați trimmerul cu tijă de tuns gardul viu de la capul de alimentare. Reconectați-le urmând indicațiile din secțiunea privind „INSTALAREA UNUI ACCESORIU LA CAPUL DE ALIMENTARE”, din manualul de instrucțiuni al capului de alimentare PH1400E.
Vibrații sau zgomot excesive.	<ul style="list-style-type: none"> ■ Lame uscate sau corodate. ■ Lamele sau suportul de lame sunt îndoite. ■ Dinți îndoii sau avariați. ■ Bolțuri de lame slăbite. 	<ul style="list-style-type: none"> ■ Lubrifiați lamele. ■ Înlocuiți cu o nouă lamă sau cu un suport nou. Contactați centrul de service EGO pentru asistență privind înlocuirea lamei sau a suportului de lamă. ■ Înlocuiți cu o nouă lamă sau cu un suport nou. Contactați centrul de service EGO pentru asistență privind înlocuirea lamei sau a suportului de lamă. ■ Strângeți bolțurile de prindere a lamei. Cu ajutorul unei chei de (neinclusă), rotiți bolțul în sensul acelor de ceas pentru a-l strânge.

RO

GARANȚIA

POLITICA DE GARANȚIE EGO

Vă rugăm consultați website-ul egopowerplus.com pentru termenii și condițiile complete ale politicii de garanție EGO.

PREBERITE VSA NAVODILA!



Preberite Priročnik Z Navodili Za Uporabo

⚠ Preostalo tveganje! Pred uporabo izdelka se morajo osebe z elektronskimi napravami, kot je srčni spodbujevalnik, posvetovati s svojim zdravnikom. Delovanje električne opreme v bližini srčnega spodbujevalnika lahko povzroči motnje ali okvaro srčnega spodbujevalnika.

⚠ OPOZORILO: Za zagotovitev varnosti in zanesljivosti mora vsa popravila izvesti usposobljen serviser.

VARNOSTNI SIMBOLI

Namen varnostnih simbolov je, da pritegnejo vašo pozornost na morebitne nevarnosti. Varnostni simboli in njihova pojasnila si zaslužijo vašo pozornost in razumevanje. Opozorilni simboli sami ne odpravljajo nobene nevarnosti. Navodila in opozorila niso nadomestilo za ustrezne ukrepe za preprečevanje nesreč.

⚠ OPOZORILO: Poskrbite, da boste pred uporabo orodja prebrali in razumeli vsa varnostna navodila v priročniku z navodili za uporabo, vključno z vsemi simboli za varnostna opozorila, kot so »NEVARNOST«, »OPOZORILO«, in »SVARILO«. Neupoštevanje spodaj navedenih navodil se lahko odrazi v električnem udaru, požaru in/ali resnih telesnih poškodbah.

POMEN SIMBOLOV

⚠ SIMBOL VARNOSTNEGA OPOZORILO: Nakazuje NEVARNOST, OPOZORILO ali SVARILO. Uporablja se lahko skupaj z drugimi simboli ali piktogrami.








⚠ OPOZORILO: Delovanje katerega koli električnega orodja lahko povzroči metanje tujkov v vaše oči, kar lahko povzroči resne poškodbe očesa. Pred začetkom dela z električnim orodjem vedno nosite zaščitna očala ali varnostna očala s stranskimi zaščitami in kadar je treba tudi ščit za celoten obraz. Priporočamo vam uporabo varnostne maske Wide Vision Safety Mask za uporabo preko očal ali standardnih varnostnih očal s stransko zaščito.

VARNOSTNA NAVODILA

Na tej strani so prikazani in opisani varnostni simboli, ki se lahko pojavijo na tem izdelku. Preberite, osvojite in sledite navodilom na stroju preden ga boste poskušali sestaviti in upravljati.

	Varnostno opozorilo	Za zmanjšanje nevarnosti poškodb je pomembno, da uporabnik pred uporabo naprave prebere uporabniški priročnik.
	Preberite Priročnik Z Navodili Za Uporabo	Pri upravljanju tega izdelka vedno nosite zaščitna očala ali varnostna očala s stransko zaščito in zaščito za celoten obraz.
	Nosite zaščito za oči	Hrup višinskega obrezovalnika lahko poškoduje vaš sluh. Za zaščito sluha vedno uporabljajte protihrupne pripomočke (čepke za ušesa ali glušnike).
	Nosite zaščito za glavo	Za zaščito glave nosite odobreno varnostno čelado.
	Nosite zaščito za sluh	Pri upravljanju tega izdelka vedno nosite zaščito za ušesa.
	Dolžina rezila	Dolžina rezila
	Rezanje Zmogljivost	Maksimalna zmogljivost rezanja rezila
	Pazite, da so roke in stopala stran od orodja za rezanje.	Električnega orodja nikoli ne skušajte upravljati z eno roko. Izguba nadzora na električnim orodjem lahko povzroči hude telesne poškodbe ali celo smrt. Za zmanjšanje tveganja za ureznine držite roke in stopala stran od orodja za rezanje. Vključenega orodja za rezanje se nikoli ne dotikajte z roko ali drugim delom telesa.

SL

	Opazovalci naj bodo varno oddaljeni.	Poskrbite, da bodo drugi ljudje in hišni ljubljenci vsaj 15 m stran od obrezovalnika žive meje na palici, ko je v uporabi.
	Ne izpostavljajte dežju	Naprave ne uporabljajte v dežju ali je puščajte zunaj, ko dežuje.
IPX4	Simbol IP	4. stopnja zaščite pred vdorom vode
	CE	Ta izdelek je v skladu z veljavnimi direktivami ES.
	Odpadna električna in elektronska oprema (OEEO)	Odpadnih električnih izdelkov se ne sme odlagati med gospodinjstve odpadke. Odnosite jih k pooblaščenemu izvajalcu postopka recikliranja.
	Hrup	Zajamčena raven zvočnega tlaka. Emisije hrupa v okolico so v skladu z direktivo Evropske skupnosti.
V	Volt	Napetost
mm	Milimeter	Dolžina ali velikost
cm	Centimeter	Dolžina ali velikost
kg	Kilogram	Teža

POMEMBNA VARNOSTNA NAVODILA

⚠ OPOZORILO! Pri uporabi vrtnarskih električnih naprav morate vedno upoštevati osnovne previdnostne ukrepe, saj lahko le tako zmanjšate nevarnost požara, električnega udara, opeklin in telesnih poškodb, vključno s sledečim:

PRED UPORABO NATANČNO PREBERITE

SHRANITE ZA PRIHODNJO UPORABO

⚠ NEVARNOST! Naprave ne upravljajte v bližini električnih kablov. Enota ni bila zasnovana za zagotavljanje zaščite pred električnim udarom v primeru stika z nadzemnimi električnimi vodi, zato pred uporabo orodja preglejte lokalne predpise za varne razdalje od nadzemnih električnih vodov in zagotovite, da je delovni položaj varen in zavarovan.

VARNOSTNA OPOZORILA ZA OBREZOVALNIK ŽIVE MEJE

⚠ NEVARNOST! Roke držite stran od rezila. Stik z rezilom povzroča hude telesne poškodbe.

- **Delov telesa nikoli ne izpostavljajte rezilu. Ne odstranjujte odrezanega ali zagozdenega materiala, medtem ko se rezila premikajo. Prepričajte se, da je naprava izklopljena, ko odstranjujete zagozden material.** Trenutek nepazljivosti med uporabo obrezovalnika žive meje lahko povzroči hude telesne poškodbe.
- **Pri napravah s predpisanim transportnim položajem (rezilo je zloženo ob držalo obrezovalnika žive meje):** Naprave nikoli ne vključite, ko je v transportnem položaju, saj rezila v tem položaju niso aktivirana in tako ne boste mogli vizualno preveriti, ali se bodo ustavila v prostem teku, ko začnete rezilo nastavljati v želeni položaj rezanja (pri katerem so rezila aktivirana).
- **Obrezovalnik žive meje prenašajte tako, da ga držite za ročaj, rezilo pa naj bo pri tem ustavljeno.** Med transportom ali skladiščenjem obrezovalnika žive meje vedno uporabljajte pokrov za napravo za rezanje. Pravilno ravnanje z obrezovalnikom žive meje zmanjša tveganje telesnih poškodb zaradi rezil.
- **Pri dvigovanju ali držanju obrezovalnika žive meje ne prijemajte izpostavljenih rezil ali robov rezil.**
- **Električno orodje držite le za izolirane prijemne površine, saj se lahko rezilo dotika skrite napeljave.** Če se rezila dotaknejo žice, ki je pod električno napetostjo, se lahko izpostavljeni kovinski deli električnega orodja naelektrijo in povzročijo električni udar.
- **Pazite, da kabel ni v območju rezanja.** Med delom se kabel lahko skrije v vejevje, zato ga lahko nehote prerežete.
- **Pred rezanjem živo mejo preglejte za prisotnost tujkov, kot so žične ograje.**

SL

- Za zmanjšanje tveganja telesnih poškodb zaradi izgube nadzora se obvezno prepričajte, da je rezilo oddaljeno od vas in vseh drugih ovir in predmetov, vključno s tlemi. Ko orodje vključite, bo hitrost motorja namreč dovolj visoka, da se bo rezilo orodja vključilo in premaknilo.
- Druge osebe se ne smejo nahajati v splošnem delovnem okolju. Poskrbite, da bodo drugi ljudje in hišni ljubljenci vsaj 15 m stran od obrezovalnika žive meje na palici, ko je v uporabi.
- Nikoli ne dovolite otrokom upravljati obrezovalnika žive meje.
- Pri upravljanju obrezovalnika žive meje uporabljajte obe roki. Če ga uporabljate samo z eno roko, lahko izgubite nadzor in se hudo telesno poškodujete.
- Ne stegujte se preveč. Pazite, da stojite stabilno in imate ravnotežje. Posebej previdni bodite v spolzkih pogojih (mokra tla, sneg) in na težavnem, zaraščenem terenu. Pazite na skrite ovire, kot so štori, korenine in jarki, da ne padete. Bodite izjemno previdni pri delu na pobočjih ali neravnih tleh.
- Naprave ne uporabljajte, ko ste na lestvi, vrhu strehe, drevesu ali ko stojite na drugi nestabilni podlagi. Stabilna opora na trdni površini omogoča boljši nadzor nad obrezovalnikom žive meje v nepredvidenih situacijah.
- Rezila ves čas nadzorujte – ne rezite nobenega dela žive meje, ki ga ne vidite. Ko obrezujete vrh visoke žive meje, se večkrat prepričajte, da na drugi strani žive meje ni opazovalcev, živali in ovir.
- Pred nadaljnjo uporabo obrezovalnika žive meje preglejte poškodovane dele. Preverite nastavitve premikajočih se delov, njihove povezave, morebitne lome, namestitve in druge pogoje, ki bi lahko vplivali na delovanje naprave.
- Redno preverjajte, ali so vijaki za namestitve rezila in motorja dovolj trdno priviti. Prav tako vizualno preglejte rezilo za poškodbe (npr. upognjenost, razpoke in obraba). Rezilo zamenjajte samo z rezilom proizvajalca EGO™.
- Če je rezilo upognjeno ali razpokano, ga zamenjajte. Neuravnoteženo rezilo povzroča vibracije, ki lahko poškodujejo motorno pogonsko enoto ali povzročijo telesne poškodbe.
- Če začne oprema nenormalno vibrirati, ustavite motor in takoj poskušajte ugotoviti vzrok. Vibracije običajno opozarjajo na težave.
- Obrezovalnik se lahko uporablja za rezanje stebel debeline manj kot 26 mm.
- Obrezujte le podnevi ali ob dobri umetni svetlobi.
- Baterijskega obrezovalnika žive meje ne uporabljajte v dežju.

DODATNA OPOZORILA

- **Baterijskega sklopa ne polnite v dežju ali na vlažnih mestih.**
- **Napravo uporabljajte le z akumulatorskimi baterijami in polnilniki, navedenimi v sliki A.**
- Preden napravo zavržete, morate iz nje odstraniti baterijski sklop.
- Baterijo morate varno odvreči.
- **Baterije ne odstranite v ogenj.** Celice lahko eksplodirajo. Preverite lokalne predpise za morebitna posebna navodila glede odstranjevanja.
- **Baterije ne odpirajte ali poškodujte.** Sproščeni elektroliti so korozivni in lahko poškodujejo oči ali kožo. Lahko so strupeni, če jih zaužijete.
- ⚠ **SVARILO!** Elektrolit je razredčena žveplove kislina, ki je škodljiva za kožo in oči. Elektrolit je elektroprevoden in koroziven.
- Pri ravnanju z baterijami bodite previdni in pazite, da ne povzročite kratkega stika s prevodnimi materiali, kot so prstani, zapestnice in ključi. Baterija ali prevodnik se lahko pregrejeta in povzročite opekline.
- **Baterijskih orodij ni potrebno priklopiti v električno vtičnico, zato so vedno v stanju delovanja.** Zavedajte se mogočih nevarnosti tudi, ko orodje ne deluje. Bodite previdni pri vzdrževanju ali servisiranju.
- **Pred servisiranjem, čiščenjem ali odstranjevanjem materiala iz orodja odstranite baterijski sklop.**
- **Nadomestni deli** — Pri servisiranju uporabljajte le identične nadomestne dele EGO. Uporaba drugih dodatkov ali priključkov lahko poveča nevarnost poškodb.
- **Električno orodje naj servisira usposobljeno servisno osebje, ki uporablja le enake nadomestne dele.** To bo zagotovilo ohranjanje varnosti električnega orodja.
- **Naprave ne umivajte s cevjo. Voda naj ne pride v motor ali električne priključke.**
- **Orodje hranite na suhem in nekoliko dvignjenem ali zaklenjenem mestu, da ni v dosegu otrok.**
- **Če pride do situacij, ki niso zajete v tem priložniku, bodite pazljivi in uporabite dobro presojo. Za pomoč stopite v stik servisnim centrom EGO.**
- **Ta navodila shranite.** Pogosto jih preberite in jih uporabite za poučevanje drugih, ki uporabljajo to orodje. Če to orodje komu posodite, posodite tudi ta navodila, da preprečite nepravilno uporabo izdelka in možnosti poškodb.

TA NAVODILA SHRANITE

OPOMBA: DODATNA SPECIFIČNA VARNOSTNA PRAVILA NAJDETE V PRIROČNIKU Z NAVODILI POGONSKE ENOTE.

TEHNIČNI PODATKI

Dolžina rezila	51 cm	
Zmogljivost rezanja	26 mm	
Teža (brez baterijskega sklopa, pokrova verige)	2,20 kg	
Priporočena delovna temperatura	0°C-40°C	
Priporočena temperatura za shranjevanje	-20°C-70°C	
Izmerjena raven zvočnega tlaka L_{WA}	92,3 dB(A) K=2,72 dB(A)	
Raven zvočnega tlaka v ušesu upravljavca L_{PA}	80,4 dB(A) K=3 dB(A)	
Zajamčena raven zvočnega tlaka L_{WA} (glede na 2000/14/EC)	95 dB(A)	
Vibracije a_n	Nastavljiv sprednji ročaj za prijem	4,9 m/s ² K=1,5 m/s ²
	Zadnji ročaj	6,7 m/s ² K=1,5 m/s ²

- Zgornji parametri so preskušeni in izmerjeni z nameščeno pogonsko enoto PH1400E.
- Deklarirana skupna vrednost vibracij je bila izmerjena v skladu s standardno preskusno metodo in se lahko uporabi za medsebojno primerjavo različnih orodij.
- Navedena skupna vrednost vibracij se lahko uporabi za predhodne ocene izpostavljenosti.

OPOMBA: Emisije vibracij se lahko med dejansko uporabo električnega orodja razlikujejo od deklarirane vrednosti, pri kateri se orodje uporablja. Z namenom zaščite upravljavca mora uporabnik v dejanskih pogojih uporabe nositi rokavice in zaščito za ušesa.

SEZNAM PAKIRANJA

IME DELA	KOLIČINA
Priključek z obrezovalnikom žive meje na palici	1
Ključ	1
Nožnica za rezilo	1
Priročnik z navodili za uporabo	1

OPIS

SPOZNAJTE SVOJ PRIKLJUČEK Z OBREZOVALNIKOM ŽIVE MEJE NA PALICI (slika A)

1. Rezilo
2. Zobnik
3. Sprožilec
4. Držalo obrezovalnika žive meje na palici
5. Mehak rokav
6. Pokrovček
7. Nastavitveni vzvod
8. Ohišje zobnikov
9. Ključ
10. Nožnica za rezilo
11. Zaščita za konico (izbirno, NA PRODAJ POSEBEJ)

SESTAVLJANJE

⚠ OPOZORILO: če so deli poškodovani ali manjkajo, izdelka ne uporabljajte, dokler deli niso zamenjani. Če ta izdelek uporabljate s poškodovanimi ali manjkajočimi deli, se lahko resno poškodujete.

⚠ OPOZORILO: tega izdelka ne poskušajte spreminjati in ne poskušajte izdelovati dodatkov, ki niso primerni za uporabo s tem višinskim obrezovalnikom. Vsako tako spreminjanje je zloraba in lahko privede do tveganj, ta pa do hudih telesnih poškodb.

⚠ OPOZORILO: Nikoli ne priključujte ali prilagajajte priključkov, če pogonska glava deluje oz. je baterija nameščena. Če ne zaustavite motorja in odstranite baterije, lahko pride do hudih telesnih poškodb.

NASTAVITEV REZILA

Ko obrezovalnik žive meje na palici vzamete iz embalaže, je zložen v položaju za shranjevanje z rezilom ob držalu (slika B). Priporočljivo je, da rezilo namestite v ustrezen delovni položaj, preden orodje priključite na pogonsko glavo.

Na voljo imate 12 delovnih položajev. Kot rezila lahko nastavite navzgor v 5 stopnjah od 0° (naravnost) do 45°, vključno z 0°, in navzdol v 7 stopnjah od 0° do 90° (pravi kot navzdol) (slika C), brez 0°.

1. Pritisnite sprožilec na nastavitvenem vzvodu in hkrati vrtite nastavitveni vzvod, da nastavite rezilo v zeleni položaj rezanja (slika D).
2. Ko dosežete zeleni položaj, spustite sprožilec. Ko zaslišite klik, pomeni, da se je v zobniku aktiviral zaklepni zatič in se zaskočil (slika D).

SL

Slika D: za opis delov glejte spodaj:

D-1	Zobnik
D-2	Zaklepni zatič

⚠ OPOZORILO: Za zmanjšanje tveganja za telesne poškodbe nastavitev izvedite šele, ko se rezila povsem ustavijo. Med nastavitvijo se nikoli ne dotikajte rezil.

⚠ OPOZORILO: Za zmanjšanje tveganja za telesne poškodbe orodje vedno ustavite in namestite nožnico za rezilo, preden rezilo premaknete v položaj za shranjevanje ali iz položaja za shranjevanje v običajni delovni položaj.

NAMESTITEV/ODSTRANITEV PRIKLJUČKA Z OBREZOVALNIKOM ŽIVE MEJE NA PALICI NA POGONSKO GLAVO

Ta priključek z obrezovalnikom žive meje na palici je zasnovan za uporabo s 56-voltno litij-ionsko pogonsko glavo EGO PH1400E. Poleg zgornjega položaja rezanja je na držalu teleskopskega obrezovalnika žive meje tudi stranski položaj rezanja za priklop pogonske glave (slika E). Za podrobnosti o delovnih tehnikah glejte razdelek »DELOVNE TEHNIKE« v tem priročniku.

Slika E: za opis delov glejte spodaj:

E-1	Zgornji položaj rezanja
E-2	Stranski položaj rezanja

Za priklop teleskopskega obrezovalnika žive meje na pogonsko glavo glejte razdelek »NAMESTITEV PRIKLJUČKA NA POGONSKO GLAVO« v uporabniškem priročniku pogonske glave PH1400E.

Za odstranjevanje obrezovalnika žive meje na palici s pogonske glave glejte razdelek »ODSTRANITEV PRIKLJUČKA S POGONSKE GLAVE« v uporabniškem priročniku pogonske glave PH1400E.

NAMESTITEV ZAŠČITE ZA KONICO (izbirno)

1. Uporabite imbusni ključ, da odstranite kratki vijak, navadno podložko, pušo in matico na koncu rezila (slika F). Shranite navadno podložko, pušo in matico za ponovno sestavljanje.

Slika F: za opis delov glejte spodaj:

F-1	Matica	F-3	Matica
F-2	Puša	F-4	Puša

2. Poravnajte zaščito za konico z izboklino na rezilu ter jo namestite na ustrezno mesto. Pritrdite jo z novim dolgim vijakom in matico ter s shranjeno podložko, pušo in matico (slika G).

Slika G: za opis delov glejte spodaj:

G-1	Matica	G-4	Puša
G-2	Zaščita za konico	G-5	Navadna podložka
G-3	Matica	G-6	Dolgi vijak

DELOVANJE

⚠ NEVARNOST: Nikoli ne obrezujte v bližini električnih vodov, kablov ali drugih virov napajanja. Če se rezilo zagodzi v električni vod ali kabel, **SE NE DOTIKAJTE REZILA ALI ALUMINIJASTE PALICE! LAHKO POSTANETA ELEKTRIČNO NAPETA IN ZELO NEVARNA.** Obrezovalnik žive meje na palici še naprej držite za izoliran zadnji ročaj ali ga varno odložite na tla in stran od sebe. Preden skušate rezilo osvoboditi iz voda ali kabla, prekinite napajanje poškodovanega voda ali kabla. Stik z rezilom, drugimi prevodnimi deli obrezovalnika žive meje na palici ali električnimi vodi in kabli pod napetostjo lahko povzroči smrt zaradi električnega udara ali hude telesne poškodbe.

⚠ OPOZORILO: Četudi se dodobra seznanite s tem izdelkom, pri rokovanju z njim ne postanite neprevidni. Pomnite, da je brezskrbni delec sekunde dovolj za resno poškodbo.

⚠ OPOZORILO: Vedno nosite zaščito za oči, ki ima varovanje tudi s strani. Če tega ne storite, vam lahko v oči priletijo predmeti ali pa se lahko zgodijo druge hude poškodbe.

Pred vsako uporabo celoten izdelek preverite glede poškodovanih, manjkajočih ali odvitih delov, kot so vijaki, matice, pokrovčki itd. Dobro privijte vsa zapenjala in pokrovčke ter izdelka ne uporabljajte, dokler manjkajoči ali poškodovani deli niso nameščeni.

⚠ OPOZORILO: da preprečite resno telesno poškodbo, pred servisiranjem, čiščenjem, zamenjavo priključkov ali odstranjevanjem materiala iz enote odstranite baterijski sklop iz enote.

Orodje po vsaki uporabi očistite.

Navodila za čiščenje najdete v razdelku »Vzdrževanje«.

APLIKACIJE

Ta izdelek lahko uporabljate za obrezovanje žive meje, grmov, grmičevja in podobnih materialov s premerom vej do Ø 26 mm.

OPOMBA: orodje se lahko uporablja samo za predpisan namen. Kakršna koli druga uporaba se smatra za nepravilno uporabo.

UPORABA OBREZOVALNIKA ŽIVE MEJE NA PALICI S POGONSKO GLAVO

⚠ OPOZORILO: Za upravljanje tega orodja se primerno oblecite, da zmanjšate nevarnost poškodb. Ne nosite ohlapnih oblačil ali nakita. Nosite zaščito za oči in ušesa. Nosite robustne dolge hlače, škornje in rokavice. Ne nosite kratkih hlač, sandal in ne bodite bos.

PRIPRAVA ZA REZANJE:

1. Rezilo nastavite v zeleni delovni položaj.
2. Odstranite nožnico z rezila.
3. Za varno in boljše upravljanje si preko rame nadenite ramenski pas. Ramenski pas nastavite v udoben položaj za upravljanje. Pri namestitvi ramenskega pasu na pogonsko glavo upoštevajte navodila v razdelku »NAMESTITEV RAMENSKEGA PASU« v uporabniškem priročniku pogonske glave PH1400E.

⚠ OPOZORILO: Ramenski pas je tudi hiter mehanizem za sprostitve v nevarnih situacijah. V nujnih primerih ga nemudoma snemite z rame, ne glede na to, kako je vstavljen.

DELOVNE TEHNIKE

- **Vodoravno rezanje (z rezilom pod kotom):** Režite v stoječem položaju tik nad tlemi, npr. nizko grmičevje. Rezilo premikajte rahlo gor in dol, medtem ko se pomikate vzdolž žive meje – uporabljajte obe strani rezila. Rezila ne odlagajte na tla (slika H).
- **Vodoravno rezanje (z ravnim rezilom):** Rezilo držite pod kotom od 0° do 10° ter obrezovalnik žive meje na palici premikajte vodoravno. Rezilo premikajte v loku proti zunanji strani žive meje, da odrezan material pada na tla (sliki I J in K).
Priporočilo: V tem delovnem položaju obrežite samo živo mejo, ki ni višja od višine vašega prsnega koša.
- **Navpično rezanje (z rezilom pod kotom):** Obrežite tako, da ne stojite neposredno ob živi meji, med upravljavcem in živo mejo naj bo npr. cvetlična greda. V tem položaju rezanja je za boljši nadzor nad obrezovalnikom žive meje priporočljivo, da obrezovalnik žive meje priključite na pogonsko glavo v stranskem položaju rezanja (glejte sliko E).
Rezilo premikajte rahlo gor in dol v loku, medtem ko se pomikate vzdolž žive meje – uporabljajte obe strani rezila (slika L).
- **Navpično rezanje (z ravnim rezilom):** Zelo dolg doseg brez pomoči drugih pripomočkov. Rezilo premikajte rahlo gor in dol v loku, medtem ko se pomikate vzdolž žive meje – uporabljajte obe strani rezila (slika M).

■ Rezanje nad glavo (z rezilom pod kotom):

Obrezovalnik žive meje držite navpično in ga premikajte v loku, da maksimalno izkoristite njegov doseg (slika N). Pri zelo visoki živi meji si lahko pri rezanju pomagata z razširitveno palico.

⚠ OPOZORILO: Vsak delovni položaj nad višino glave je utrujajoč. Za zmanjšanje tveganja nezgod v teh položajih delajte le kratek čas. Kot nastavljenega rezila nastavite na največjo vrednost, da lahko orodje držite v nižjem, manj utrujajočem položaju (z ramenskim pasom), obenem pa imate še vedno ustrezen doseg.

ZAGON/ZAUSTAVITEV ORODJA

Glejte razdelek »ZAGON/ZAUSTAVITEV POGONSKA ENOTE« v priročniku z navodili pogonske enote PH1400E.

VZDRŽEVANJE

⚠ OPOZORILO: pred pregledom, čiščenjem ali popravilom enote zaustavite motor, počakajte, da se zaustavijo vsi premikajoči se deli in odstranite baterijski sklop. Neupoštevanje teh navodil lahko povzroči hude telesne poškodbe ali materialno škodo.

⚠ OPOZORILO: Za popravila uporabljajte le identične nadomestne dele. Uporaba drugih delov je tvegana in lahko poškoduje izdelek. Za zagotovitev varnosti in zanesljivosti mora vsa popravila izvesti usposobljen serviser.

SPLOŠNO VZDRŽEVANJE

Pri čiščenju plastičnih delov se izogibajte uporabi topil. Večina vrst plastike se lahko pri uporabi različnih komercialnih topil poškoduje. Za odstranjevanje umazanije, prahu, olja, masti itd. uporabite čiste krpe.

ČIŠČENJE ENOTE

- Z mehko krtačo odstranite delce iz vseh odprt in dovod zraka in z rezila.
- Za odstranjevanje smole in drugih lepljivih ostankov rezila popršite s topilom za smolo. Za kratek čas zaženite motor, da se bo topilo enakomerno porazdelilo.
- Za čiščenje plastičnega ohišja ali ročaja ne uporabljajte močnih čistilnih sredstev. Poškodujejo ga lahko določena aromatična olja, kot sta olje bora in limone, ter topila, kot je kerozin. Vlaga prav tako lahko ustvari nevarnost električnega udara. Vlago obrišite z mehko in suho krpo. Orodja nikoli ne čistite z vodo.

OSTRENJE REZILA

Ko se učinkovitost rezanja in vedenje orodja poslabšata, npr. ko se rezila pogosto zataknejo v vejah: nabrusite rezila.

Priporočljivo je, da rezila nabrusi usposobljen serviser.

SL

⚠ OPOMBA: Ne uporabljajte obrezovalnika žive meje s topim ali poškodovanim rezilom. To lahko povzroči preobremenitev in nezadovoljive rezultate rezanja.

MAZANJE REZILA

Da preprečite nastanek rje med daljšim shranjevanjem, je priporočljivo, da rezila namažete z oljem proti rji.

⚠ OPOZORILO: Rezila so ostra. Pri sestavljanju rezil si nadenite nedrseče, robustne zaščitne rokavice. Prstov in dlani ne postavljajte med rezila ali na mesta, kjer bi jih orodje lahko stisnilo ali odrezalo. NE dotikajte se rezil ali popravljajte enote, ko je baterijski sklop nameščen.

MAZANJE ZOBNIKOV

Zobnike v ohišju je treba redno mazati z mazivom za zobnike. Raven maziva preverite po vsakih 50 urah delovanja, tako da odstranite tesnilni vijak na ohišju zobnikov. Odviti morate tri tesnilne vijake, enega ob strani in dva na vrhu.

Če pri strani zobnikov ne vidite maziva, sledite spodnjim korakom in ohišje napolnite z mazivom do 3/4 prostornine.

Zobnikov ne napolnite povsem.

1. Glede na to, kateri vijak odstranjujete, držite obrezovalnik žive meje na palci ob strani ali ga položite na zadnjo stran, da je tesnilni vijak obrnjen navzgor (sliki O in P).
2. S priloženim ključem odvijte tesnilni vijak in ga odstranite.
3. Z brizgalko (ni priložena) vbrizgajte nekaj maziva v luknjo vijaka. Ne napolnite več kot 3/4 prostornine.
4. Po vbrizganju privijte tesnilni vijak.

SHRANJEVANJE ENOTE

- Odstranite baterijski sklop z orodja.
- Orodje pred shranjevanjem temeljito očistite.
- Pred skladiščenjem ali transportom na rezilo namestite nožnico. Bodite previdni, da se izognete ostrim zobem rezila.
- Če obrezovalnik žive meje ni nameščen na pogonsko glavo in je shranjen ločeno, namestite pokrovček na držalo priključka, da umazanija ne pride v spojnik.
- Enoto shranite v suhem in dobro zračenem prostoru, ki se zaklepa ali je dvignjen, da ne bo na dosegu otrok. Enote ne shranjujte na ali v bližini gnojil, bencina ali drugih kemikalij.

Varovanje okolja



Električne opreme, polnilnika baterij in baterij/baterij, ki jih je mogoče polniti, ne odvrzite med gospodinjinske odpadke!

V skladu z evropskim zakonom 2012/19/EU glede električne in elektronske opreme, ki ni več uporabna, in v skladu z evropskim zakonom 2006/66/EC glede pokvarjenih ali izrabljenih baterijskih sklopov/baterij, je treba baterije zbrati ločeno.

Če električne naprave odvrzete na smetišča, lahko nevarne snovi pronicajo v podtalnico in tako pridejo v prehranjevalno verigo, s čimer ogrozijo vaše zdravje in dobro počutje.

ODPRAVLJANJE TEŽAV

TEŽAVA	VZROK	REŠITEV
Obrezovalnik žive meje na palici ne deluje.	<ul style="list-style-type: none"> ■ Baterijski sklop ni pritrjen na obrezovalnik žive meje. ■ Med obrezovalnikom žive meje in baterijo ni električnega stika. ■ Baterijski sklop je izpraznjen. ■ Gumb za odklepanje ni sproščen pred pritiskom sprožilca stikala. ■ Baterijski sklop ali pogonska glava je prevroča. ■ Rezilo je zagazdano. ■ Obrezovalnik žive meje na palici ni dobro priključen na pogonsko glavo. 	<ul style="list-style-type: none"> ■ Baterijski sklop pritrdite na obrezovalnik žive meje. ■ Odstranite baterijo, preverite kontakte in ponovno namestite baterijski sklop. ■ Napolnite baterijski sklop. ■ Vzvod za odklepanje pritisnite navzdol in ga pridržite, nato pritisnite sprožilec, da vključite orodje. ■ Počakajte, da se baterijski sklop ali pogonska enota ohladi do temperature pod 67 °C. ■ Odstranite baterijski sklop z orodja. Oviro previdno odstranite, nato ponovno vstavite baterijo in zaženite orodje. ■ Obrezovalnik žive meje na palici odstranite s pogonske glave. Ponovno ga priključite v skladu z navodili v razdelku »NAMESTITEV PRIKLJUČKA NA POGONSKO GLAVO« v uporabniškem priročniku pogonske glave PH1400E.
Prevelike vibracije ali hrup.	<ul style="list-style-type: none"> ■ Suha ali razjedena rezila. ■ Rezilo ali podpora za rezilo je upognjena. ■ Zobje so upognjeni ali poškodovani. ■ Zrahljani vijaki rezila. 	<ul style="list-style-type: none"> ■ Namažite rezila. ■ Namestite novo rezilo ali podporo za rezilo. Za zamenjavo rezila ali podpore za rezilo se obrnite na servisni center EGO. ■ Namestite novo rezilo ali podporo za rezilo. Za zamenjavo rezila ali podpore za rezilo se obrnite na servisni center EGO. ■ Privijte vijake rezila. S ključem (ni priložen) vijak obrnite v smeri urnega kazalca, da ga privijete.

SL

GARANCIJA

GARANCIJSKA POLITIKA DRUŽBE EGO

Za popolne pogoje garancijske politike družbe EGO obiščite spletno stran egopowerplus.com.

PERSKAITYKITE VISĄ INSTRUKCIJĄ!



PERSKAITYKITE NAUDOJIMO INSTRUKCIJĄ

⚠ Liekamoji rizika! Žmonėms, kuriems implantuoti elektroniniai prietaisai, pvz., širdies stimulatoriai, prieš pradėdami naudoti šį gaminį, reikia pasitarti su savo gydytoju (-ais). Arti širdies stimulatoriaus veikianti elektros įranga gali trikdyti širdies stimulatoriaus veikimą arba jį sugadinti.

⚠ ĮSPĖJIMAS. Norint užtikrinti saugų ir patikimą gaminio naudojimą, visus remonto ir keitimo darbus turi atlikti kvalifikuotas techninės priežiūros specialistas.

SAUGOS SIMBOLIAI

Šių simbolių paskirtis – atkreipti dėmesį į galimus pavojus. Gerai susipažinkite su saugos simboliais bei jų paaiškinimais ir juos įsidėmėkite. Simbolių įspėjimai patys savaime negali apsaugoti nuo pavojų. Jais žymimi nurodymai ir įspėjimai neatstoja tinkamų nelaimingų atsitikimų prevencijos priemonių.

⚠ ĮSPĖJIMAS. Prieš pradėdami naudoti šį gaminį, perskaitykite visus šioje naudojimo instrukcijoje pateiktus saugos nurodymus, taip pat susipažinkite su visais saugos įspėjimaisiais simboliais, tokiais kaip **PAVOJUS**, **ĮSPĖJIMAS** ir **PERSPĖJIMAS**, ir įsitikinkite, ar juos supratote. Nesilaikant visų toliau išdėstytų nurodymų, galima patirti elektros smūgį, sukelti gaisrą ir (arba) sunkiai susižaloti.

SIMBOLIO REIKŠMĖ

⚠ SAUGOS ĮSPĖJAMASIS SIMBOLIS: nurodo **PAVOJŲ**, **ĮSPĖJIMĄ** arba **PERSPĖJIMĄ**. Gali būti panaudotas su kitais simboliais arba piktogramomis.



⚠ ĮSPĖJIMAS. Naudojant bet kokius elektrinius įrankius, į akis gali būti išsviesta svetimkūnių, kurie jas gali sunkiai sužaloti. Prieš pradėdami naudoti elektrinį įrankį, visada užsidėkite apsauginius akinius arba apsauginius akinius su šonine apsauga ir, jei reikia, visą veidą dengiantį skydelį. Rekomenduojame naudoti platų matymo lauką užtikrinančią apsauginę kaukę ant akinių arba standartinius apsauginius akinius su šonine apsauga.

SAUGOS NURODYMAI

Šiame puslapyje pavaizduoti ir aprašyti saugos simboliai, kurių gali būti ant šio gaminio. Prieš bandydami surinkti ir naudoti įrenginį, perskaitykite visus ant jo pateiktus nurodymus, įsitikinkite, ar juos supratote, ir jais vadovaukitės.

	Saugos įspėjimas	Nurodo galimą pavojų susižaloti.
	Perskaitykite Naudojimo Instrukciją	Kad sumažintų pavojų susižaloti, naudotojas turi perskaityti naudojimo instrukciją ir įsitikinti, kad ją suprato.
	Wear eye protection	Naudodami šį gaminį, visada užsidėkite apsauginius akinius arba apsauginius akinius su šonine apsauga ir visą veidą dengiantį skydelį.
	Užsidėti galvos apsaugos priemonę	Galvai apsaugoti užsidėkite patvirtintą apsauginį šalną.
	Dėvėkite ausų apsaugos priemones	Dirbdami su šiuo gaminio visada būkite užsidėję ausų apsaugos priemones.
	Ašmenų ilgis	Peilio ilgis
	Pjovimo našumas	Didžiausias ašmenų pjovimo pajėgumas
	Rankas ir pėdas laikykite atokiau nuo pjovimo įrankio	Niekada nebandykite dirbti su elektriniu įrankiu viena ranka. Praradus elektrinio įrankio kontrolę galite sunkiai ar mirtinai susižeisti. Norėdami sumažinti pjautinių traumų pavojų rankas ir pėdas laikykite toliau nuo pjovimo įrankio. Niekada nepriglauskite judančio pjovimo įrankio prie rankų ar kitų kūno dalių.

LT

	Neleiskite artintis pašaliniais asmenims	Užtikrinkite, kad kiti žmonės ir augintiniai būtų ne mažesniu nei 15 m atstumu nuo aukštuminių gyvatvorės žirklių, kai jos naudojamos.
	Užsidėkite apsauginius akinius	Nedirbkite su žoliapjove lyjant lietuvi, taip pat nepalikite lauke, kai lyja.
IPX4	IP simbolis	4 klasės apsauga nuo vandens patekimo.
	CE	Šis gaminytis atitinka taikomas EB direktyvas.
	WEEE	Elektros prietaisų atliekas draudžiama utilizuoti kartu su buitiniemis atliekomis. Perduoti įgaliojam perdirbėjui.
	Triukšmas	Garantuojamas garso galios lygis. Triukšmo sklaida aplinką atitinka Europos Bendrosios direktyvą.
V	Voltas	Įtampa
mm	Milimetras	Ilgis arba dydis
cm	Centimetras	Ilgis arba dydis
kg	Kilogramas	Svoris

SVARBŪS SAUGOS NURODYMAI

⚠️ ĮSPĖJIMAS. Naudodami elektrinius sodo prietaisus būtina imkitės svarbiausių atsargumo priemonių, kad sumažintumėte gaisro, elektros smūgio ir susižalojimo pavojų, įskaitant:

ATIDŽIAI PERSKAITYKITE PRIEŠ NAUDODAMI

PASIDĖKITE, KAD PRIREIKUS GALĖTUMĖTE PASIŽIURĖTI

⚠️ PAVOJUS! Nedirbkite arti elektros linijų. Palietus elektros oro linijas prietaisas neapsaugo nuo elektros smūgio. Išsiaiškinkite, kokie saugūs atstumai nuo elektros oro linijų nurodyti vietos reikalavimuose, ir prieš naudodami įrankį pasirūpinkite, kad darbo vieta būtų saugi.

GYVATVORIŲ ŽIRKLIŲ SAUGOS ĮSPĖJIMAI

⚠️ PAVOJUS! Rankas laikykite toliau nuo ašmenų. Dėl sąlyčio su ašmenimis galite patirti sunkią traumą.

- Visas kūno dalis laikykite atokiau nuo gyvatvorės žirklių ašmenų. Kai ašmenys juda, nemandykite išimti nupjautų šakelių arba jas laikyti pjovimo metu. Kai šalinatė įstrigusias šakeles, įsitikinkite, kad jungiklis yra išjungtas. Neatidžiai dirbdami su gyvatvorių žirkliemis, galite sunkiai susižaloti.
- Įrenginiuose su nustatyta transportavimo padėtimi (pjovimo ašmenys nulenkti prie žirklių veleno): Niekada neįjunkite įrenginio transportavimo padėtyje, nes šioje padėtyje ašmenys nesusikabinę ir dėl to negalėsite matyti, ar dirbant laisvąja eiga jos bus sustojusios, kai pradėsite reguliuoti pjovimo ašmenis į reikiama pjovimo padėtį (kurioje ašmenys yra susikabinusios).
- Gyvatvorių žirkles neškite už rankenos, esant išjungtoms žirklių ašmenims. Kai gabenatė arba sandėliuojatė gyvatvorių žirkles, visada uždėkite ašmenų gaubtą. Tinkamas gyvatvorių žirklių naudojimas sumažins galimą susižalojimą į pjovimo ašmenis.
- Paimdami arba laikydami gyvatvorių žirkles, neimkite už neuždengtų ašmenų arba pjovimo braiunų.
- Elektrinį įrenginį laikykite tik už izoliuoto, laikymui skirto paviršiaus, nes kerpančios žirklių ašmenys gali prisiliesti prie tarp šakų pasislėpusio elektros laido. Ašmenys, prisilietę prie laido, kuriuo teka elektros srovė, gali ją perduoti į kitas metalines įrenginio dalis ir operatoriui sukelti elektros smūgį.
- Laidą laikykite atokiau nuo pjovimo vietos. Darbo metu laidas gali pasislėpti krūmuose ir ašmenys gali jį atsitiktinai įpjauti.
- Prieš kirpdami, patikrinkite gyvatvorę ar nėra pašalinių objektų, pvz., vielinės tvoros.
- Norėdami sumažinti pavojų nesuvaldyti įrankio, visiškai įsitikinkite, kad ant pjovimo ašmenų nelaikote rankų, ant jų nėra jokių kliūčių ir daiktų, įskaitant žemę, nes įjungus įrankį variklio greitis bus pakankamas patraukti pjovimo ašmenis ant įrankio.
- Neleiskite kitiems asmenims būti pagrindinėje darbo zonoje. Užtikrinkite, kad kiti žmonės ir augintiniai būtų ne mažesniu nei 15 m atstumu nuo aukštuminių gyvatvorės žirklių, kai jos naudojamos.
- Niekada neleiskite vaikams naudoti gyvatvorių žirklių.
- Kai dirbate su gyvatvorių žirkliemis, laikykite jas abejomis rankomis. Laikydami tik viena ranka galite prarasti įrenginio valdymą ir sunkiai susižaloti.
- Nesiekite per toli. Dirbdami tvirtai stovėkite ir visada išlaikykite pusiausvyrą. Ypač atsargiai dirbkite esant slidžioms sąlygoms (ant šlapios žemės, sniego) ir

LT

sunkioje, smarkiai apaugusioje vietovėje. Žiūrėkite, ar nėra slypinčių kliūčių, pavyzdžiui, medžių kelmų, šaknų ir griovių, kad išvengtumėte nukritusių šakų, krūmų ir nuopjovų. Būkite ypač atsargūs dirbdami ant šlaitų ar nelygios žemės.

- **Nenaudokite įrankio ant kopėčių, stogo, medžio arba kito nestabilaus paviršiaus.** Stabili stovėsena ir tvirtas paviršius užtikrina geresnį gyvatvorių žirklių valdymą netikėtose situacijose.
- **Nuolat stebėkite pjovimo asmenis – nepjunkite gyvatvorės vietos, kurios nematote.** Pjudami aukštesnės gyvatvorės viršų dažnai patikrinkite, ar kitoje gyvatvorės pusėje nėra pašalinių asmenų, gyvūnų ir kliūčių.
- **Prieš pradėdami naudoti gyvatvorių žirkles, patikrinkite ar nėra sugadintų dalių.** Patikrinkite, ar judamos dalys suderintos, judamos dalys pritvirtintos, ar nėra dalių, jungčių pažeidimų, be to, ar nėra kitų sąlygų, kurios gali turėti įtakos jos veikimui.
- **Dažnai patikrinkite, ar peilio ir variklio tvirtinimo varžtai tinkamai priveržti.** Taip pat, apžiūrėkite, ar peilis nepažeistas (pvz., neįlenktas, neištrūkęs ir nesusidėvėjęs). Ašmenis keiskite tik kitomis EGO™ ašmenimis.
- **Jeigu ašmenys yra sulenkti arba įtrūkę, pakeiskite juos.** Nesubalansuoti ašmenys sukelia vibracijas, kurios gali sugadinti elektros variklį arba sužaloti operatorių.
- **Jei įrenginys pradeda neįprastai vibruoti, nedelsdami išjunkite variklį ir nustatykite priežastį.** Vibracija paprastai įspėja apie problemą.
- **Gyvatvorių žirklys skirtos karpyti iki 26 mm storio stiebams.**
- **Kirpkite tik dienos metu arba esant geram dirbtiniam apšvietimui.**
- **Nenaudokite akumuliatorinių gyvatvorių žirklių lyjant lietu.**

LT

PAPILDOMI ĮSPĖJIMAI

- **Akumuliatorių bloko nekraukite lietuje arba esant drėgnoms sąlygoms.**
- **Naudokite tik su A paveiksle nurodytomis sudėtinėmis baterijomis ir įkrovikliais.**
- **Prieš atiduodant įrenginį į metalo laužą, būtina išimti akumuliatorių.**
- **Akumuliatorių reikia išmesti saugiai.**
- **Nemeskite akumuliatoriaus į ugnį.** Elementai gali sprogti. Susipažinkite su vietoje galiojančiais teisės aktais, kuriuose gali būti pateikti specialūs šalinimo nurodymai.

- **Draudžiama atidaryti arba gadinti bateriją.** Išbėgęs elektrolitas sukelia koroziją ir gali pakenkti akims ar odai. Jis gali būti toksiškas prarijus.

⚠ DĖMESIO! Elektrolitas yra atskiasta sieros rūgštis, kuri pavojinga odai ir akims. Ji laidi elektrai ir išdinanti.

- **Siekdami išvengti trumpojo jungimo atsargiai elkitės su akumulatoriais: venkite tokių laidininkų, kaip žiedai, apyrankės ir raktai.** Baterija arba laidininkas gali įkaisti ir sukelti nudegimus.
- **Baterijų nereikia įjungti į elektros lizdą; jos visada yra darbinės būsenos.** Net įrankiui neveikiant neužmirškite apie jo keliamus pavojus. Atlikdami remonto arba techninės priežiūros darbus, būkite atidūs.
- **Prieš atlikdami techninės priežiūros darbus, valdydami arba šalinami medžiagas iš įrankio, išimkite akumuliatorių.**
- **Atsarginės dalys.** Atlikdami techninės priežiūros darbus naudokite tik originalias „EGO“ atsargines dalis. Bet kokio kito priedo arba prietaiso naudojimas kelia sužalojimo riziką.
- **Užtikrinkite, kad elektrinio įrankio techninės priežiūros darbus atliktų kvalifikuotas remonto meistras ir kad būtų naudojamos tik identiškos atsarginės dalys.** Taip bus užtikrinta, jog prietaisas išliks saugus.
- **Neplaukite žoliapjovės vandens žarna. Saugokite, kad vandens nepatektų ant variklio ir elektros jungčių.**
- **Įrankį laikykite sausoje pakeltoje arba užrakinamoje vaikams nepasiekiamoje vietoje.**
- **Susidarius šioje instrukcijoje neaprašyti situacijai, būkite atsargūs ir vadovaukitės sveika nuovoka.** Pagalbos kreipkitės į EGO techninės priežiūros centrą.
- **Išsaugokite šias instrukcijas.** Dažnai jas pavartykite ir naudokitės jomis mokydami kitus asmenis, kurie gali naudoti šį įrankį. Skolindami šį prietaisą kam nors kitam, taip pat paskolinkite ir šias instrukcijas, kad būtų išvengta netinkamo produkto naudojimo arba galimo susižeidimo.

IŠSAUGOKITE ŠIĄ INSTRUKCIJĄ

PASTABA. PAPILDOMAS SAUGOS TAISYKLES ŽR. ELEKTRINĖS GALVUTĖS NAUDOJIMO INSTRUKCIJOJE

SPECIFIKACIJA

Ašmenų ilgis	51 cm	
Pjovimo charakteristikos	26 mm	
Svoris (be sudėtinės baterijos)	2,20 kg	
Rekomenduojama darbo temperatūra	0°C-40°C	
Rekomenduojama laikymo temperatūra	-20°C-70°C	
Išmatuotas garso galios lygis L_{WA}	92,3 dB(A) K=2,72 dB(A)	
Garso slėgio lygis ties operatoriaus ausimi L_{pA}	80,4 dB(A) K=3 dB(A)	
Garantuojamas garso galios lygis L_{WA} (pagal 2000/14/EB)	95 dB(A)	
Vibracija a_n	Priekinė pagalbinė rankena	4,9 m/s ² K=1,5 m/s ²
	Galinė rankena	6,7 m/s ² K=1,5 m/s ²

- Pirmiau nurodyti parametrai išbandyti ir išmatuoti naudojant elektrinę galvutę PH1400E.
- Nurodyta bendroji vibracijos vertė išmatuota taikant standartinį bandymo metodą, todėl pagal ją galima palyginti skirtingus įrenginius.
- Nurodytą bendrąją vibracijos vertę taip pat galima naudoti pirminiam poveikio vertinimui.

PASTABA. Naudojant įrankį realiomis sąlygomis, sklaidžiamos vibracijos stiprumo vertė gali skirtis nuo nurodytos. Kad apsaugotų dirbdamas realiomis sąlygomis, naudotojas turi mūvėti pirštines ir naudoti ausų apsaugos priemones.

PAKUOTĖS TURINIO SĄRAŠAS

DALIES PAVADINIMAS	SKAIČIUS
Aukštuminių gyvatvorės žirklių įtaisas	1
Veržliaraktis	1
Ašmenų makštis	1
Naudojimo instrukcija	1

APRAŠAS

PAŽINKITE AUKŠTUMINIŲ GYVATVORĖS ŽIRKLIŲ ĮTAISĄ (A pav.)

1. Pjovimo ašmenys
2. Gitaros mechanizmas
3. Gaidukas
4. Aukštuminių gyvatvorės žirklių velenas
5. Minkšta mova
6. Kamštelis
7. Reguliavimo svirtis
8. Reduktoriaus korpusas
9. Veržliaraktis
10. Ašmenų makštis
11. Galo apsaugos elementas (pasirenkamas, PARDUODAMAS ATSKIRAI)

SURINKIMAS

⚠️ ĮSPĖJIMAS: Jei kurios nors dalys pažeistos arba jų nėra, nenaudokite šio gaminio tol, kol tos dalys nebus pakeistos. Naudojant šį gaminį, kai dalys pažeistos arba jų trūksta, galima sunkiai susižaloti.

⚠️ ĮSPĖJIMAS: Nebandykite modifikuoti šio gaminio arba sukurti priedų, nerekomenduojamų naudoti su šiuo aukštuminiu pjūkle. Visi tokie pakeitimai ir modifikacijos laikomi netinkamu naudojimu. Jie gali lemti pavojingas aplinkybes, dėl kurių galima sunkiai susižaloti.

⚠️ ĮSPĖJIMAS: Jokiu būdu nemontuokite, neišmontuokite ir nereguliuokite įtaisų, kol veikia elektrinė galvutė arba įdėtas akumulatorius. Nesustabdę variklio ir neišėmę akumulatoriaus galite sunkiai susižeisti.

PJOVIMO AŠMENŲ REGULIAVIMAS

Išimtos iš įpakavimo aukštuminės gyvatvorės žirklys su-lankstomos į sandėliavimo padėtį, kurioje pjovimo ašmenys yra prie veleno (B pav.). Rekomenduojama sureguliuoti pjovimo ašmenis į tinkamą darbinę padėtį prieš sujungiant jas su elektrine galvute.

Numatyta 12 galimų darbinių padėčių. Pjovimo ašmenų kampą galima sureguliuoti aukštyn 5 pakopomis nuo 0° (tiesios žirklys) iki 45°, įskaitant 0°, ir žemyn 7 pakopomis nuo 0° iki 90° (stačiu kampu žemyn) (C pav.), neįskaitant 0°.

1. Paspauskite gaiduką, esantį ant reguliavimo svirties, ir tuo pačiu metu sukdami reguliavimo svirtį nustatykite pjovimo ašmenis į reikiamą pjovimo padėtį (D pav.).

2. Pasiekę reikiamą padėtį atleiskite gaiduką. Pasigirdęs spragtelėjimas reiškia, kad fiksavimo kaištis įsmuko į gitaros mechanizmą ir yra reikiamoje vietoje (D pav.).

Toliau pateiktas D pav. parodytų dalių sąrašas.

D-1	Gitaros mechanizmas
D-2	Fiksavimo kaištis

⚠ ĮSPĖJIMAS: Kad sumažintumėte traumų pavojų, ašmenis reguliuokite tik joms visiškai nejudant. Reguluodami niekada nelieskite ašmenų.

⚠ ĮSPĖJIMAS: Kad sumažintumėte traumų pavojų, visada prieš nulenkdami pjovimo ašmenis į sandėliavimo padėtį ar iš sandėliavimo padėties atlenkdami į įprastą darbinę padėtį sustabdykite įrankį ir užmaukite ašmenų makštį.

AUKŠTUMINIŲ GYVATORĖS ŽIRKLIŲ ĮTAISO SUJUNGIMAS / ATJUNGIMAS NUO ELEKTRINĖS GALVUTĖS

Šis aukštuminių gyvatvorės žirklių įtaisas skirtas naudoti su EGO gamybos 56 V LIČIO JONŲ elektrine galvute PH1400E. Ant aukštuminių gyvatvorės žirklių veleno be gyvatvorės viršaus pjovimo padėties yra šono pjovimo padėtis, skirta sujungti su elektrine galvute (F pav.). Išsamiai apie pjovimo būdus žr. šio vadovo skyriuje „DARBO METODAI“.

Toliau pateiktas E pav. parodytų dalių sąrašas.

E-1	Viršaus pjovimo padėtis
E-2	Šono pjovimo padėtis

Kaip sujungti aukštumines gyvatvorės žirkles su elektrine galvute, skaitykite elektrinės galvutės operatoriaus vadovo skyriuje „ĮTAISO SUJUNGIMAS SU ELEKTRINE GALVUTE“.

Kaip atjungti aukštumines gyvatvorės žirkles nuo elektrinės galvutės, skaitykite elektrinės galvutės operatoriaus vadovo skyriuje „ĮTAISO ATJUNGIMAS NUO ELEKTRINĖS GALVUTĖS“.

GALO APSAUGOS ELEMENTO MONTAVIMAS (pasirenkamas)

1. šešiabriauniu veržliarakčiu išsukite trumpą varžtą, nuimkite plokščią poveržlę, įvorę ir veržlę, esančius pjovimo ašmenų gale (F pav.). Nepameskite poveržlės, įvorės ir veržlės, kad galėtumėte vėl sumontuoti.

Toliau pateiktas F pav. parodytų dalių sąrašas.

F-1	Veržlė	F-3	Plokščia poveržlė
F-2	Įvorė	F-4	Trumpas varžtas

2. Sutapdinkite galo apsaugos elementą su išsiikišimu ant pjovimo ašmenų ir uždėkite jį. Pritvirtinkite elementą nauju ilgu varžtu ir veržle bei išsaugota poveržle, įvore ir veržle (G pav.).

Toliau pateiktas G pav. parodytų dalių sąrašas.

G-1	Veržlė	G-4	Įvorė
G-2	Galo apsaugos elementas	G-5	Plokščia poveržlė
G-3	Veržlė	G-6	Ilgas varžtas

NAUDOJIMAS

⚠ PAVOJUS: Griežtai draudžiama pjauti šalia elektros linijų, elektros laidų arba kitų elektros įtampos šaltinių. Jeigu pjovimo ašmenys įstrigtų elektros laide arba linijoje **JOKIU BŪDU NELIESKITE PJOVIMO JUOSTOS, GRANDINĖS ARBA ALIUMININIO KOTO! JAIŠ GALI TEKĖTI ELEKTROS SROVĖ, TAI GALI BŪTI LABAI PAVOJINGA.** Laikykite aukštumines gyvatvorių žirkles už izoliuotų rankenų arba padėkite toliau nuo savęs saugiu būdu. Prieš bandydami išlaisvinti pjovimo ašmenis, atjunkite pažeistą laidą arba elektros tiekimo liniją. Palietę pjovimo ašmenis, grandinę, kitas elektrai laidžias aukštuminių gyvatvorių žirklių dalis, elektros laidus ir linijas, kuriomis teka srovė, galite patirti elektros iškvopą ir žūtį arba sunkiai susižeisti.

⚠ ĮSPĖJIMAS. Net ir susipažinę su šiuo gaminiu, būkite atsargūs. Atminkite, kad net ir sekundės dalį trunkantis neatsargumas gali lemti sunkų sužalojimą.

⚠ ĮSPĖJIMAS. Visada užsidėkite apsauginius akinius su šonine apsauga. To nepadarius, išsviesti daiktai gali pataikyti į akis arba galite kitaip sunkiai susižaloti.

Prieš kiekvieną naudojimą patikrinkite visą įrenginį – ar jis nesugedęs, ar netrūksta dalių arba jos nėra atsilaisvinusios (sraigčiai, veržlės, varžtai, dangteliai ir pan.). Priveržkite visus tvirtinimo elementus ir uždėkite dangtelius. Nenaudokite įrenginio, kol nebus sumontuotos trūkstamos arba pakeistos sugadintos dalys.

⚠ ĮSPĖJIMAS. Kad išvengtumėte sunkių traumų, prieš atlikdami techninę priežiūrą, valydami įrankį, keisdami priedus arba valydami žolės likučius iš įrenginio išimkite akumuliatorių.

Kaskart baigę naudoti išvalykite įrankį

Valymo nurodymus žr. skyriuje „Priežiūra“.

NAUDOJIMAS

Šį gaminį galite naudoti apkirpti gyvatvorėms, krūmokšniams, krūmams ir panašioms medžiagoms, kurių šakų storis mažesnis kaip Ø26 mm.

PASTABA. Įrankį galima naudoti tik pagal nurodytą paskirtį. Naudojimas bet koku kitu tikslu laikomas netinkamu naudojimu.

AUKŠUMINIŲ GYVATVORIŲ ŽIRKLIŲ NAUDOJIMAS SU ELEKTRINE GALVUTE

⚠️ ĮSPĖJIMAS. dirbdami su šiuo įrankiu tinkamai apsirenkite, kad sumažintumėte traumų pavojų. Nedėvėkite laisvų drabužių ir nenešiotkite laisvai kabančių papuošalų. Būkite užsidėję akių ir ausų / klausos organų apsaugos priemonės. Mūvėkite tvirtos medžiagos ilgas kelnes ir pirštines, avėkite tinkamus batus. Nedirbkite su trumpomis kelnėmis, su sandalais ar basomis.

PARUOŠIMAS PJAUTI:

1. Pjovimo ašmenų suregulavimas į reikiamą darbinę padėtį.
2. Nuo pjovimo ašmenų nuimkite makštį.
3. Kad dirbti būtų saugiau ir geriau, peties diržą uždėkite skersai peties. Pareguliuokite diržą per petį, kad jis būtų patogioje darbinėje padėtyje. Laikydami instrukcijų, pateiktų PH1400E operatoriaus vadovo skyriuje „PETIES DIRŽO TVIRTINIMAS“ pritvirtinkite peties diržą prie elektrinės galvutės.

⚠️ ĮSPĖJIMAS. Peties diržas kartu yra greitai atjungiamas mechanizmas pavojingose situacijose. Susidarius kritinei situacijai nedelsiant nuimkite peties diržą, nepaisydami kokioje padėtyje jis yra.

DARBO METODAI

- **Pjovimas horizontaliai (kai pjovimo ašmenys palenktos kampu):**

stovėdami pjaukite arti žemės paviršiaus, pvz., žemus krūmokšnius.

Eidami išilgai gyvatvorės mosuokite pjovimo ašmenimis aukštyn ir žemyn – pjaukite abiem pjovimo ašmenų pusėmis (H pav.).

- **Pjovimas horizontaliai (tiesiomis pjovimo ašmenimis):**

Mosuodami aukštuminėmis gyvatvorių žirklemis horizontaliai laikykite pjovimo ašmenis pakreipę 0°–10° kampu. Mosuokite pjovimo ašmenimis lanku link gyvatvorės išorės taip, kad nuopjovos kristų ant žemės (I, J ir K pav.).

Rekomendacija: Šioje darbinėje padėtyje pjaukite tik gyvatvores, kurios ne aukštesnės, kaip iki krūtinės.

- **Pjovimas vertikalčiai (kai pjovimo ašmenys palenktos kampu):**

Pjovimas nestovint tiesiai prie gyvatvorės, pvz., kai tarp operatoriaus ir gyvatvorės yra gėlių lysvė.

Šioje pjovimo padėtyje, kad geriau valdytumėte aukštumines gyvatvorių žirkles, rekomenduojama sujungti gyvatvorių žirkles su elektrine galvute šono pjovimo padėtyje (E pav.).

Eidami išilgai gyvatvorės mosuokite pjovimo ašmenimis lanku aukštyn ir žemyn – pjaukite abiem pjovimo ašmenų pusėmis (L pav.).

- **Pjovimas vertikalčiai (tiesiomis pjovimo ašmenimis):**

Be kitų pagalbos pasieksite ypač toli.

Eidami išilgai gyvatvorės mosuokite pjovimo ašmenimis lanku aukštyn ir žemyn – pjaukite abiem pjovimo ašmenų pusėmis (M pav.).

- **Pjovimas virš galvos (kai pjovimo ašmenys palenktos kampu):**

Laikydami gyvatvorių žirkles vertikalčiai mosuokite jomis lanku, kad maksimaliai išnaudotumėte mostą (N pav.). Kai gyvatvorė itin aukšta, ją apipjauti padės pailginimo kotas.

⚠️ ĮSPĖJIMAS: Bet kokia darbinė padėtis virš galvos aukščiau yra varginanti. Norėdami sumažinti nelaimingų įvykių pavojų tokiose padėtyse dirbkite tik trumpais laiko intervalais. Reguliuojamų ašmenų kampą nustatykite į didžiausią padėtį taip, kad įrankį būtų galima laikyti žemesnėje, mažiau varginančioje padėtyje (naudojant peties diržą) ir kartu užtikrinti tinkamą mostą.

ĮRANKIO PALEIDIMAS IR STABDYMAS

Žr. elektrinės galvutės PH1400E naudojimo instrukcijos skyriuje **ELEKTRINĖS GALVUTĖS PALEIDIMAS IR STABDYMAS**.

TECHNINĖ PRIEŽIŪRA

⚠️ ĮSPĖJIMAS: Prieš atlikdami įrenginio patikrą, valymą ar techninę priežiūrą, sustabdykite variklį, palaukite, kol visos judančios dalys sustos, ir išimkite akumuliatorių. Nesilaikydami šių nurodymų galite sunkiai arba net mirtinai susižaloti arba sugadinti turą.

⚠️ ĮSPĖJIMAS: Atlikdami techninės priežiūros darbus, naudokite tik identiškas atsargines dalis. Naudojant bet kokias kitas dalis gali kilti pavojus arba sugesti gaminys. Norint užtikrinti saugų ir patikimą gaminio naudojimą visus remonto darbus turi atlikti kvalifikuotas techninės priežiūros specialistas.

BENDROJI PRIEŽIŪRA

Plastikinių dalių nevalykite tirpikliais. Įvairūs komerciniai tirpikliai gali pažeisti daugelį plastikų ir neturėtų būti naudojami, nes gali sugadinti gaminį. Purvą, dulkes, tepalus, riebalus ir panašius nešvarumus valykite švariomis šluostėmis.

ĮRENGINIO VALYMAS

- Nešvarumų nuo ašmenų ir oro įsiurbimo angų šalinimui naudokite minkštą šepetėlį.
- Dervos arba kitų lipnių nešvarumų šalinimui užpurkškite dervos tirpiklio ant ašmenų. Trumpam įjunkite variklį, kad tirpiklis tolygiai pasiskirstytų.
- Plastikinėms korpuso arba rankenos dalims valyti nenaudokite jokių stiprių ploviklių. Aromatinės alyvos (pušies arba citrinų kvapo) ir tirpikliai, pvz., žibalas, gali jas sugadinti. Drėgmė taip pat gali kelti elektros smūgio pavojų. Bet kokią drėgmę nuvalykite minkštu sausuo audeklu. Niekada įrankiui valyti nenaudokite vandens.

AŠMENŲ GALANDIMAS

Pablogėjus pjovimo charakteristikoms ir funkcionalumui, t. y. kai ašmenys pradeda dažnai kliūti už šakų: pagalaskite pjovimo ašmenis.

Rekomenduojama, kad pjovimo ašmenis galastų kvalifikuotas techninės priežiūros specialistas.

PASTABA: nenaudokite gyvatvorių žirklių, jeigu ašmenys atbukę arba sugadinti. Dėl to įrenginys gali būti perkrautas ir suprastėti kirpimo rezultatai.

AŠMENŲ TĖPIMAS

Kai įrankis ilgai laikomas sandėlyje, siekiant apsaugoti nuo rūdžių rekomenduojama patepti ašmenis apsaugos nuo rūdžių alyva.

⚠ ĮSPĖJIMAS: ašmenys yra aštrūs. Atlikdami veiksmus su ašmenimis, mūvėkite neslidžias ir tvirtas apsaugines pirštines. Nekiškite rankos arba pirštų tarp ašmenų arba tokioje padėtyje, kur jie gali būti sugnybti arba įpjauti. NIEKADA nelieskite ašmenų arba neatilkite techninės priežiūros, jeigu į įrenginį įstatyta sudėtinė baterija.

TRANSMISIJOS PAVARŲ TĖPIMAS

Reduktoriaus korpuse sumontuotus perdavimo krumpliaračius būtina reguliariai tepti reduktorių tepalu. Tepalo lygį reduktoriaus korpuse tikrinkite kas 50 darbo valandų; tai galite atlikti išsukdami korpuso šone esantį sandarinimo varžtą. Yra trys sandarinimo varžtai: vienas šone ir du viršuje.

Jei pavarų šonuose nėra jokių tepalo požymių, pripilkite 3/4 talpos pavarų tepalo pagal toliau pateiktus nurodymus:

Visiškai nepripildykite perdavimo reduktoriaus.

1. Priklausomai nuo to, kurį varžtą išsuksite, laikykite aukštumines gyvatvorių žirkles paverstą ant šono arba paguldykite ant apatinės pusės taip, kad išsukamas varžtas būtų viršuje (O ir P pav.).
2. Veržliarakčiu atlaisvinkite ir išsukite sandarinimo varžtą.
3. Naudodami tepalo šviršką (nepriedamas) išvirškškite tepalo į varžto angą. Nevirškškite 3/4 talpos.
4. Baigę priveržkite sandarinimo varžtą.

ĮRENGINIO SANDĖLIAVIMAS

- Nuo įrankio nuimkite akumuliatorių bateriją.
- Prieš sandėliavimą kruopščiai nuvalykite įrenginį.
- Prieš padėdami žirkles į sandėlį ar transportuodami ant ašmenų užmaukite makštį. Būkite atsargūs ir nesilieskite prie aštrių ašmenų dantukų.
- Jei gyvatvorių žirkles nuimtos nuo elektrinės galvutės ir padėtos atskirai, ant įtaiso veleno uždėkite kamštelį, kad į jungiamąją movą nepatektų purvas.
- Įrenginį laikykite sausoje, gerai vėdinamoje, rakinamoje patalpoje arba aukštai, vaikams nepasiekiamoje vietoje. Nelaikykite įrankio ant arba prie trašų, benzino ar kitų cheminių medžiagų.

Aplinkos apsauga



Neišmeskite elektros įrangos, akumuliatoriaus įkroviklio ir baterijų / akumuliatorių su buitinėmis atliekomis!

Pagal Europos Parlamento ir Tarybos direktyvas 2012/19/EB ir 2006/66/EB naudojami elektros bei elektronikos įranga ir nenaudojami arba sugedę akumuliatoriai ir (arba) baterijos turi būti surenkami atskirai.

Jei elektriniai prietaisai išmetami į užkasamuosius arba atvirusius sąvartynus, kenksmingos medžiagos gali prisiskinti iki gruntinio vandens, patekti į mitybos grandinę ir kenkti jūsų sveikatai bei gerovei.

TRIKČIŲ ŠALINIMAS

PROBLEMA	PRIEŽASTIS	SPRENDIMAS
Aukštuminės gyvatvorių žirklių neveikia.	<ul style="list-style-type: none"> ■ Akumuliatorių baterija neprijungta prie aukštuminių gyvatvorių žirklių. ■ Nėra elektrinio kontakto tarp gyvatvorių žirklių ir baterijos. ■ Akumuliatorius visiškai išsekęs. ■ Prieš paspaudžiant gaiduką, nepaspaudžiamas blokuotės išjungimo mygtukas. ■ Akumuliatorius arba elektrinė galvutė pernelyg įkaitusi. ■ Įstrigę ašmenys. ■ Aukštuminės gyvatvorių žirklys netinkamai sujungtos su elektrine galvute. 	<ul style="list-style-type: none"> ■ Prijunkite akumuliatorių bateriją prie aukštuminių gyvatvorių žirklių. ■ Išimkite akumuliatorių, patikrinkite kontaktus ir vėl įdėkite akumuliatorių. ■ Įkraukite akumuliatorių bateriją. ■ Norėdami įjungti įrankį nuspauskite ir laikykite fiksavimo svirtelę ir po to nuspauskite gaiduką. ■ Leiskite akumuliatoriui arba elektrinei galvutei atvėsti, kol temperatūra nukris žemiau 67 °C. ■ Nuo įrankio nuimkite akumuliatorių bateriją. Atsargiai pašalinkite kliūtis ir įdėkite atgal bateriją bei įjunkite įrankį iš naujo. ■ Atjunkite aukštuminės gyvatvorių žirkles nuo elektrinės galvutės. Sujunkite jas vėl pagal PH1400E operatoriaus vadovo skyrių „TAISO SUJUNGIMAS SU ELEKTRINE GALVUTE“.
Per didelė vibracija arba triukšmas.	<ul style="list-style-type: none"> ■ Nesutepti arba korozijos pažeisti ašmenys. ■ Ašmenys arba atramos sulankstyta. ■ Sulankstyti arba sugadinti dantukai. ■ Atsileidę ašmenų varžtai. 	<ul style="list-style-type: none"> ■ Patepkite ašmenis. ■ Ašmenis arba atramą pakeiskite nauja. Dėl ašmenų ar atramos pakeitimo kreipkitės į EGO klientų aptarnavimo centrą. ■ Ašmenis arba atramą pakeiskite nauja. Dėl ašmenų ar atramos pakeitimo kreipkitės į EGO klientų aptarnavimo centrą. ■ Priveržkite peilio varžtus. veržliarakčiu (nepriedamas) priveržkite varžtą pagal laikrodžio rodyklę.

LT

GARANTIJA

EGO GARANTINIS POLISAS

Norėdami sužinoti visas „EGO“ garantinio poliso sąlygas, apsilankykite interneto svetainėje egopowerplus.com.

APMAĻU GRIEZĒJA PAPILDIERĪCE!



IZLASIET LIETOŠANAS ROKASGRĀMATU

⚠ Atlikušā sprieguma apdraudējums! Cilvēkiem, kuri izmanto elektroniskas ierīces, piemēram, elektrokardiostimulatorus, pirms šīs ierīces lietošanas jāsaazinās ar savu ārstējošo ārstu. Elektroierīču darbība tuvu elektrokardiostimulatoram var izraisīt traucējumus vai tā atteici.

⚠ BRĪDINĀJUMS. Lai garantētu drošību un uzticamību, ierīces remontu un tās detaļu nomaiņu veikt drīkst tikai kvalificēts apkopes tehniķis.

DROŠĪBAS APZĪMĒJUMI

Drošības apzīmējumu nolūks ir pievērst uzmanību iespējamām apdraudējumiem. Drošības apzīmējumiem un to skaidrojumiem jāpievērš īpaša uzmanība, un tie pilnībā jāizprot. Apzīmējumu brīdinājumi paši par sevi nenovērš apdraudējumu. Apzīmējumos iekļautie norādījumi un brīdinājumi neaizstāj atbilstošus darba drošības pasākumus.

⚠ BRĪDINĀJUMS. Pirms šī darbarīka lietošanas noteikti izlasiet un izprotiet visus šajā lietošanas rokasgrāmatā iekļautos norādījumus, tostarp visus drošības brīdinājumu apzīmējumus, piemēram, „**BĪSTAMI!**”, „**BRĪDINĀJUMS!**” un „**UZMANĪBU!**”. Neievērojot tālāk uzskaitītos norādījumus, var rasties elektrotrauma, aizdegšanās un/vai smaga trauma.

APZĪMĒJUMA NOZĪME

⚠ BRĪDINĀJUMS. DROŠĪBAS BRĪDINĀJUMA

APZĪMĒJUMS: Atbilst norādei **BĪSTAMI, BRĪDINĀJUMS** vai **UZMANĪBU!** Var tikt izmantots kopā ar citiem apzīmējumiem un piktogrammām.



⚠ BRĪDINĀJUMS. Mehānizēto darbarīku lietošanas laikā acīs var iekļūt svešķermeņi, kas savukārt var radīt smagu acu traumu. Pirms mehānizētā darbarīka izmantošanas vienmēr uzlieciet aizsargbrilles vai aizsargbrilles ar sānu aizsargiem un pilnu sejas aizsargu (ja nepieciešams). Uz parastajām brillēm vai standarta aizsargbrillēm ar sānu aizsargiem ieteicams uzlikt plata skata leņķa drošības masku.

DROŠĪBAS NORĀDĪJUMI

Šajā lappusē ir parādīti un aprakstīti drošības apzīmējumi, kas var atrasties uz izstrādājuma. Pirms ierīces salikšanas un lietošanas izlasiet, izprotiet un izpildiet visus norādījumus.

	Drošības brīdinājums	Norāda uz iespējamu ievainojumu gūšanas risku.
	Izlasiet Lietošanas Rokasgrāmatu	Lai mazinātu traumu rašanās bīstamību, pirms šī izstrādājuma lietošanas tā lietotājam jāizlasa un jāizprot operatora rokasgrāmatu.
	Lietojiet dzirdes aizsargglīdzekļus	Lietojot šo izstrādājumu, vienmēr izmantojiet aizsargbrilles vai aizsargbrilles ar sānu aizsargiem un pilnu sejas aizsargu.
	Valkāt galvas aizsargglīdzekļus	Valkājiet apstiprinātu cieto aizsargcepuri, lai pasargātu savu galvu.
	Lietojiet dzirdes aizsargglīdzekļus	Šī izstrādājuma darbināšanas laikā vienmēr lietojiet dzirdes aizsargglīdzekļus.
	Asmens garums	Asmens garums
	Griešana Kapacitāte	Asmens maks. griešanas kapacitāte

	<p>Nenovietojiet rokas un kājas griešanas instrumenta tuvumā</p>	<p>Nekad nedarbiniet elektronstrumentu tikai ar vienu roku! Zaudējot kontroli pār elektroinstrumentu, iespējams gūt smagas vai nāvējošas traumas. Lai mazinātu traumu risku, ko varētu izraisīt griešanas instrumenta, novietojiet tā tuvumā rokas un kājas. Nekādā gadījumā nemēģiniet pievienot kustīgu griešanas instrumentu ar roku vai kādu citu ķermeņa daļu</p>
	<p>Neļaujiet tuvoties nepieņēmošām personām</p>	<p>Lietojot dzīvzogu trimmeri ar kātu, sekojiet, lai citi cilvēki un mājdzīvnieki atrodas vismaz 15 m attālumā no ierīces.</p>
	<p>Sargājiet no lietus</p>	<p>Neizmantojiet zāģi lietū vai neatstājiet ārā, kamēr list lietus.</p>
IPX4	IP apzīmējums	<p>4. aizsardzības klase pret ūdens iekļūšanu</p>
	CE	<p>Šis izstrādājums atbilst piemērojamajām Eiropas Komisijas (EK) direktīvām.</p>
	EEIA	<p>Elektrisko izstrādājumu atkritumus nedrīkst izmest kopā ar sadzīves atkritumiem. Nogādāt uz pilnvarotu pārstrādes punktu.</p>
	Troksnis	<p>Garantētais trokšņa jaudas līmenis. Trokšņa emisija vidē atbilst Eiropas Komisijas direktīvas prasībām.</p>
V	Volti	Spriegums
mm	milimetrs	Garums vai izmērs
cm	centimetrs	Garums vai izmērs
kg	kilograms	Svars

SVARĪGI DROŠĪBAS NORĀDĪJUMI

⚠ BRĪDINĀJUMS! Izmantojot elektriskās dārzkopības ierīces, vienmēr veiciet pamata piesardzības pasākumus, lai mazinātu aizdegšanās, elektrošoka, traumu rašanās draudus, un ievērojiet tālāk sniegtās norādes.

RŪPĪGI IZLASIET PIRMS LIETOŠANAS

SAGLABĀJIET TURPMĀKĀM UZZIŅĀM

⚠ BĪSTAMI! Nedarbināt tuvu elektropārvades līnijām! Ierīce nenodrošina aizsardzību pret elektrošoku, nonākot saskarē ar elektroenerģijas pārvades gaisvadu līnijām; izlasiet vietējos noteikumus par drošu attālumu no elektroenerģijas pārvades gaisvadu līnijām un pirms darbarīka lietošanas ieņemiet drošu darba stāvokli.

DZĪVZOGU TRIMMERA DROŠĪBAS BRĪDINĀJUMI

⚠ BĪSTAMI! Nepieskarieties asmenim ar rokām. Pieskaroties asmenim, tiks gūti smagi miesas bojājumi.

- Neļaujiet nevienai ķermeņa daļai nonākt saskarē ar griešanas asmeni. Kamēr asmeņi kustās, nenovietojiet apgriezto materiālu vai neturiet materiālu, kuru grasāties apgriezt. Pirms iestrēgušu materiālu izņemšanas pārļiecinieties, ka ieslēgšanas / izslēgšanas slēdzis atrodas izslēgtā stāvoklī. Ja dzīvzogu trimmera darbināšanas laikā kaut uz mirkli zaudēsiet uzmanību, varat gūt nopietnus ievainojumus.
- Mašīnām ar fiksētu transportēšanas pozīciju (griešanas asmens atrodas salocītā pozīcijā pie dzīvzogu trimmera kāta): Nekad nedarbiniet mašīnu, tai atrodoties transportēšanas pozīcijā — asmeņi šajā pozīcijā nav nofiksēti un nav iespējams vizuāli pārļiecināties, vai brīdīt, kad vēlaties veikt griešanas asmens regulēšanu un novietošanu vēlāmajā griešanas pozīcijā (kurā asmeņi atrodas fiksētā pozīcijā), tie ir pilnībā pārtraukuši kustību.
- Pārnēsājiet dzīvzogu trimmeri aiz tā roktura, griešanas asmenim esot izslēgtam. Pirms dzīvzogu trimmera pārvadāšanas vai novietošanas glabāšanā vienmēr uzstādiat griešanas ierīces pārsegu. Pareiza dzīvzogu trimmera apkopšana samazina iespējamo ievainojumu risku, ko varat gūt no griešanas asmeņiem.
- Paceļot vai turot dzīvzogu trimmeri, nesatveriet tā atklātos griešanas asmeņus vai griezējmalas.
- Turiet elektroinstrumentu tikai pie izolētajām satveršanas virsmām, jo griešanas asmens var saskarties ar apslēptiem vadiem. Ja griešanas asmens pārgriež „dzīvu” vadu, elektroinstrumenta atklātās metāla daļas „atdzīvojas” un operators var saņemt elektriskās strāvas triecienu.

- **Nodrošiniet, ka vads neatrodas griešanas zonā.** Darba laikā vads var paslēpties krūmos un tādējādi asmens to var nejauši pārgriezt.
- **Pirms darba pārbaudiet, vai dzīvzoga neslēpjas svešķermeņi, piemēram, drāšu žogs.**
- **Lai mazinātu traumu gūšanas risku kontroles zaudēšanas gadījumā, jums jābūt pilnībā pārliecinātam, ka griešanas asmens neatrodas saskare ar jums un jebkādiem citiem šķēršļiem/objektiem, tostarp zemi, jo brīdī, kad instruments tiek iedarbināts, motora pievadītā jauda tiks iekustinās instrumenta griešanas asmeni.**
- **Neļaujiet citām personām tuvoties darba zonai.** Lietojot dzīvzogu trimmeri ar kātu, sekojiet, lai citi cilvēki un mājdzīvnieki atrodas vismaz 15 m attālumā no ierīces.
- **Nekad neļaujiet bērniem darbināt dzīvzogu trimmeri.**
- **Darbiniet dzīvzogu trimmeri ar abām rokām.** Darbināšana ar vienu roku var radīt kontroles zudumu, tādējādi izraisot nopietnus ievainojumus.
- **Nestiepieties pārāk tālu.** Vienmēr saglabājiet pareizu stāju un līdzsvaru. Īpaši piesardzīgiem jābūt slidenos apstākļos (mitra pamatne, sniegs), kā arī sarežģītā, aizaugušā reljefā. Lai izvairītos no kritušiem zariem, krūmājiem un atgriezumiem, uzmanieties no grūti pamanāmiem šķēršļiem, piemēram, celmiem, saknēm un gravjiem. Esiet ārkārtīgi piesardzīgs, strādājot slīpumā vai uz nelīdzenes pamatnes.
- **Nelietot ierīci uz kāpnēm, jumta, kokā vai uz citas nestabilas pamatnes.** Stabila stāja uz stingras pamatnes ļauj labāk kontrolēt dzīvzogu trimmeri negaidītās situācijās.
- **Nevienu brīdi nenovērsiet skatu no griešanas asmeņiem — negrieziet dzīvzogu vietās, kuras nespējāt pārredzēt.** Griežot augsta dzīvzoga augšējo daļu, bieži pārbaudiet, vai dzīvzoga otrā pusē neatrodas cilvēki, dzīvnieki vai šķēršļi.
- **Konstatējot bojājumus, pirms dzīvzogu trimmera turpmākas lietošanas pārbaudiet bojātās daļas.** Pārbaudiet kustīgo daļu salāgojumu, daļu iespējamo saskari; pārbaudiet, vai daļas nav salūzušas, pārbaudiet stiprinājumus un jebkādu citu stāvokli, kas var ietekmēt trimmera darbību.
- **Regulāros intervālos pārbaudiet, vai asmens un dzinēja uzstādīšanas buļskrūves nav kļuvušas vajāgas.** Tāpat vizuāli pārbaudiet, vai asmens nav bojāts (piemēram, saliekts, ieplaisājis vai nodilis). Asmens maiņas gadījumā izmantojiet tikai EGO™ asmeni.
- **Nomainiet asmeni, ja tas ir saliekts vai ieplaisājis.** Nelīdzsvarots asmens var radīt vibrācijas, kas var

izraisīt dzinēja piedziņas mehānisma bojājumus vai ievainojumus.

- Ja aprīkojums sāk neierasti vibrēt, apturiet dzinēju un nekavējoties nosakiet cēloni. Vibrācija parasti liecina par kļūmi.
- Trimmeris ir paredzēts tādu zaru apgriešanai, kuru biežums nepārsniedz 26 mm.
- Strādājiet tikai dienas laikā vai labā mākslīgajā apgaismojumā.
- Nedarbiniet akumulatora dzīvzogu trimmeri lietū.

PAPILDU BRĪDINĀJUMI

- **Neuzlādējiet akumulatora bloku lietū vai mitrās vietās.**
- **Izmantojiet tikai A atēllē uzskaitītos akumulatora blokus un lādētājus.**
- Pirms izmešanas akumulatora bloks jāizņem no ierīces.
- No akumulatora jāatbrīvojas drošā veidā.
- **Nemetiet akumulatoru ugunī.** Akumulatora elementi var uzsprāgt. Īpašus norādījumus par atbilstošu atbrīvošanos no akumulatoriem meklējiet vietējos normatīvos.
- **Neatveriet un nebojājiet akumulatoru.** Elektrolīts, kas izplūst, ir korozīvs un var radīt acu un ādas bojājumus. Norijot var būt toksisks.

⚠ UZMANĪBU! Elektrolīts ir atšķaidīta sērskābe, kas ir kaitīga ādai un acīm. Tai piemīt elektrovadītspēja un tā ir korozīva.

- **Rīkojieties ar akumulatoriem ļoti uzmanīgi, neveidojiet īsslēgumu ar materiāliem, kas vada elektrību, piemēram, gredzeniem, rokassprādzēm un atslēgām.** Akumulators vai vads var pārkarst un radīt apdegumus.
- **Akumulatora darbarīkus nav nepieciešams pieslēgt elektrotīklam, tādēļ tie vienmēr ir darbības stāvoklī.** Pat, ja darbarīks nedarbojas, vienmēr sargieties no iespējama apdraudējuma. Ievērojiet piesardzību, veicot apkopes vai uzturēšanas darbus.
- **Pirms apkopes un uzturēšanas darbu veikšanas, tīrīšanas vai darbarīkā iestrēguša materiāla iztīrīšanas izņemiet akumulatora bloku.**
- **Rezerves daļas** — veicot apkopes darbus, vienmēr izmantojiet identiskas EGO rezerves daļas. Citu piederumu vai pierīču lietošana var palielināt traumu gūšanas iespējamību.
- **Jūsu elektroinstrumenta apkopes un uzturēšanas darbus drīkst veikt tikai kvalificēts mehāniķis, izmantojot tikai identiskas maiņas detaļas.** Tādējādi tiks garantēta elektroinstrumenta drošība.

- Nemazgājiet ar šļūteni; nepieļaujiet ūdens iekļūšanu motorā un elektriskajos savienojumos.
- Uzglabājiet instrumentu sausā, aizslēdzamā vai augstā — bērniem nepieejamā — vietā.
- Gadījumos, kas nav aprakstīti šajā rokasgrāmātā, esiet uzmanīgi un rīkojieties prātīgi. Lai saņemtu palīdzību, sazinieties ar EGO apkopes centru.
- Saglabājiet šo norādījumus. Regulāri pārskatiet tos un lietojiet, lai iepazīstinātu citus lietotājus, kas arī var izmantot šo darbarīku. Ja kādam aizdodat šo darbarīku, pievienojiet arī šos norādījumus, lai nepieļautu nepareizu darbarīka izmantošanu un traumu rašanos.

SAGLABĀJIET ŠOS NORĀDĪJUMUS!

PIEZĪME! IZLASIET INSTRUMENTGALVAS OPERATORA ROKASGRĀMATĀ SNIEGTOS PĀRSLĒDŽEJUS UN DROŠĪBAS NOTEIKUMUS.

SPECIFIKĀCIJAS

Asmens garums	51 cm	
Griešanas kapacitāte	26 mm	
Svars (bez akumulatoru komplekta)	2,20 kg	
leteicamā darba temperatūra	0°C-40°C	
leteicamā uzglabāšanas temperatūra	-20°C-70°C	
Izmērītais trokšņa jaudas līmenis L_{WA}	92,3 dB(A) K=2,72 dB(A)	
Trokšņa spiediena līmenis pie operatora auss L_{PA}	80,4 dB(A) K=3 dB(A)	
Garantētais trokšņa jaudas līmenis L_{WA} (saskaņā ar Direktīvu 2000/14/EK)	95 dB(A)	
Vibrācijas a_h	Priekšējais palīgrokturis.	4,9 m/s ² K=1,5 m/s ²
	Aizmugurējais rokturis	6,7 m/s ² K=1,5 m/s ²

- Iepriekš minētie parametri ir pārbaudīti kopā ar instrumentgalvu PH1400E.
- Norādītā vibrāciju kopējā vērtība ir izmērīta saskaņā ar standartā pārbaudes metodi un var tikt izmantota, lai salīdzinātu vairākus instrumentus.
- Norādītā vibrāciju kopējā vērtība var arī tikt izmantot ietekmes sākotnējai novērtēšanai.

PIEZĪME. Vibrāciju emisijas faktiskajā elektroinstrumenta darbināšanas laikā var atšķirties no norādītās vērtības. Lai pasargātu operatoru, lietotājam jāvalkā cimdi un dzirdes aizsarglīdzekļi atbilstoši patiesajam darba apstākļiem.

KOMPLEKTĀCIJA

DAĻAS NOSAUKUMS	SKAITS
Dzīvzogu trimmera pierīce ar kātu	1
Uzgrīzēju atslēga	1
Asmens aizsargapvalks	1
Lietotāja rokasgrāmata	1

APRAKSTS

PĀRZINIET SAVU DZĪVZOGU TRIMMERA PIERĪCI AR KĀTU (A att.)

1. Griešanas asmens
2. Fiksators
3. Pārslēdzējs
4. Dzīvzogu trimmera kāts
5. Mīkstā uzmvā
6. Uzgalis
7. Regulēšanas svira
8. Pārnesumkārbā
9. Uzgrīzēju atslēga
10. Asmens aizsargapvalks
11. Gaļa aizsargs (izvēles, TIEK PĀRDOTS ATSEVIŠĶĻI)

MONTĀŽA

⚠ BRĪDINĀJUMS! Ja kāda daļa ir bojāta vai trūkst, nedarbiniet šo izstrādājumu, kamēr šādas daļas nav nomainītas. Darbinot šo izstrādājumu ar bojātām vai trūkstošām daļām varat gūt smagus miesas bojājumus.

⚠ BRĪDINĀJUMS! Nemēģiniet pārveidot šo izstrādājumu vai radīt piederumus, kurus nav ieteicams izmantot kopā ar šo zaru zāģi. Jebkādi šādi uzlabojumi vai pārveidojumi uzskatāmi par neatbilstošu lietošanu un var radīt bīstamus apstākļus, kas var izraisīt smagus miesas bojājumus.

⚠ BRĪDINĀJUMS! Nekad nepiestipriniet vai nesalāgojiet pierīci, kamēr darbojas instrumentgalva vai, ja tajā atrodas akumulators. Ja motors netiek apturēts un nav izņemts akumulators, jūs varat gūt smagus miesas bojājumus.

GRIEŠANAS ASMENS REGULĒŠANA

Dzīvzogu trimmeris ar kātu iepakojumā atrodas uzglabāšanas pozīcijā un griešanas asmens atrodas pie trimmera kāta (B att.). Pirms griešanas asmens pievienošanas instrumentgalvai ieteicams to noregulēt piemērotā darba pozīcijā.

Ir iespējamas 12 darba pozīcijas. Griešanas asmens leņķi iespējams regulēt 5 pozīcijās uz augšu — no 0° (taisns) līdz 45°, ieskaitot 0°, — un 7 pozīcijās uz leju — no 0° līdz 90° (lejupvērsts taisns leņķis) (C att.), neieskaitot 0°.

1. Lai griešanas asmeni iestatītu vēlamajā griešanas pozīcijā, nospiediet regulēšanas sviras pārslēdzēju un vienlaicīgi pagrieziet regulēšanas sviru (D att.).
2. Līdzko ir sasniegta vēlamā pozīcija, atlaidiet pārslēdzēju. Nofiksējot pozīciju, jāatskan klikšķim, kas norāda par sprosttapas nofiksēšanos (D att.).

D attēla detaļu aprakstu skatīt zemāk:

D-1	Fiksators
D-2	Sprosttapa

⚠ BRĪDINĀJUMS! Lai mazinātu traumu gūšanas risku, regulēšanu veiciet tikai tad, kad asmeņi ir pilnībā pārtraukuši kustību. Regulēšanas laikā nepieskarieties asmeņiem.

⚠ BRĪDINĀJUMS! Lai mazinātu traumu gūšanas risku, pirms griešanas asmens pārvietošanas uzglabāšanas pozīcijā vai darba pozīcijā vienmēr apturiet instrumentu un uzlieciet asmens aizsargapvalku.

DZĪVZOGU TRIMMERA PIERĪCES AR KĀTU PIESTIPRINĀŠANA INSTRUMENTGALVAI / NOŅĒMŠANA NO TĀS

Ši dzīvzogu trimmera pierīce ar kātu ir paredzēta lietošanai kopā ar EGO 56 V LITĪJA JONU instrumentgalvu PH1400E. Papildus augšējai griešanas pozīcijai, dzīvzogu trimmera kātā ir arī sānu griešanas pozīcija, kurai iespējams pievienot instrumentgalvu (E att.). Plašāku informāciju par darba tehniku skatiet šīs rokasgrāmatas sadaļā "DARBA TEHNIKAS".

E attēla detaļu aprakstu skatīt zemāk:

E-1	Augšējā griešanas pozīcija
E-2	Sānu griešanas pozīcija

LV

Informāciju par dzīvzogu trimmera ar kātu pievienošanu instrumentgalvai skatiet instrumentgalvas PH1400E lietotāja rokasgrāmatas sadaļā "PIERĪCES PIEVIENOŠANA INSTRUMENTGALVAI".

Informāciju par dzīvzogu trimmera ar kātu noņemšanu no instrumentgalvas skatiet instrumentgalvas PH1400E lietotāja rokasgrāmatas sadaļā "PIERĪCES NOŅĒMŠANA NO INSTRUMENTGALVAS".

GALA AIZSARGA UZSTADĪŠANA (izvēles aprīkojums)

1. Izmantojiet sešstūra uzgriezni, lai noņemtu griešanas asmens galā esošo īso bultskrūvi, paplāksni, buksi un uzgriezni (F att.). Saglabāiet paplāksni, buksi un

uzgriezni vēlākai instrumenta salikšanai.

F attēla detaļu aprakstu skatīt zemāk:

F-1	Uzgrieznis	F-3	Paplāksne
F-2	Bukse	F-4	Īsā bultskrūve

2. Salāgojiet gala aizsargu ar griešanas asmens izvīzījumu un novietojiet to paredzētajā pozīcijā. Nostipriniet to ar jauno garo bultskrūvi un uzgriezni, kā arī iepriekš izmantoto paplāksni, buksi un uzgriezni (G att.).

G attēla detaļu aprakstu skatīt zemāk:

G-1	Uzgrieznis	G-4	Bukse
G-2	Gala aizsargs	G-5	Paplāksne
G-3	Uzgrieznis	G-6	Garā bultskrūve

LIETOŠANA

⚠ BĪSTAMI! Nekad negrieziet elektropārvades līniju, elektrisko vadu vai citu elektrisko avotu tuvumā. Ja griešanas asmens ieķeras elektriskajā vadā vai līnijā, **NEPIESKARIETIES GRIEŠANAS ASMENIM VAI ALUMĪNIJA KĀTAM! TIE VAR ELEKTRIZĒTIES UN KĻŪT ĻOTI BĪSTAMI.** Turpiniet turēt dzīvzogu trimmeri aiz izolētā aizmugurējā roktura vai drošā veidā nolieciet to uz zemes virzienā prom no sevis. Pirms mēģināt atbrīvot griešanas asmeni no elektrolīnijas vai vada atvienojiet strāvas padevi bojātajai līnijai vai vadam. Saskare ar griešanas asmeni vai citām dzīvzogu trimmera strāvu vadošām daļām vai elektrības vadiem un līnijām, kas atrodas zem sprieguma, var izraisīt smagus elektriskās strāvas trieciena radītus miesas bojājumus vai nāvi.

⚠ BRĪDINĀJUMS. Neļaujiet, ka pieradums pie darba ar šo izstrādājumu, liek jums zaudēt uzmanību. Atcerieties, ka pat uzmanības novēršana uz sekundes daļu ir pietiekama, lai gūtu nopietnus ievainojumus.

⚠ BRĪDINĀJUMS. Vienmēr valkājiet aizsargbrilles ar sānu aizsargiem. Šo noteikumu neievērošana var novest pie tā, ka jums acis ielido kādi objekti vai citiem smagiem miesas bojājumiem.

Pirms katras lietošanas pārbaudiet visu ierīci, vai tā nav bojāta, vai tai nav trūkstošu vai atskrūvējušos daļu, piemēram, skrūves, uzgriežņi, bultskrūves, vāciņi utt. Cieši pievelciet visus stiprinājumus un vāciņus un nedarbiniet šo ierīci, līdz visas trūkstošās vai bojātās daļas nav nomainītas.

⚠ BRĪDINĀJUMS. Lai nepieļautu smagas traumas, pirms trimera apkopes, tīrīšanas, pierīču nomaiņas vai nogrieztā materiāla izņemšanas izņemiet akumulatora bloku.

Pēc katras trimmera lietošanas notīriet to.

Tīrīšanas norādījumus skatiet sadaļā „Apkope”.

PIELIETOJUMS

Šo izstrādājumu var izmantot, lai apgrieztu dzīvžogus, krūmājus, krūmus un līdzīga veida materiālu, kuru zaru diametrs nepārsniedz 26 mm.

PIEZĪME. Darbarīku drīkst izmantot tikai aprakstītajam mērķim. Izmantošana jebkādā citā veidā tiks uzskatīta par neatbilstošu lietošanu.

DZĪVŽOGU TRIMMERA LIETOŠANA KOPĀ AR INSTRUMENTGALVU

⚠ BRĪDINĀJUMS. Ģērbieties atbilstīgi, lai mazinātu traumu rašanās draudus, lietojot šo darbarīku. Nevalkājiet vaļīgu apģērbu vai rotaslietas. Izmantojiet acu un dzirdes aizsarglīdzekļus. Valkājiet izturīgas, garas bikses, apavus un cimdus. Nevalkājiet tsās bikses, sandales; nestaigājiet basām kājām.

SAGATAVOŠANĀS GRIEŠANAI:

1. Griešanas asmens noregulēšana vēlamajā darba pozīcijā.
2. No griešanas asmens noņemiet asmens aizsargapvalku.
3. Uzlieciet plecu siksnu ekspluatācijai labākā un drošākā stāvoklī. Noregulējiet siksnu ērtā darba pozīcijā. Lai pievienotu plecu siksnu instrumentgalvai, ievērojiet PH1400E lietotāja rokasgrāmatas sadaļā **“PLECU SIKSNAS PIEVIEŅOŠANA”** ietvertos norādījumus.

⚠ BRĪDINĀJUMS. Plecu siksnai ir arī ātrās atbrīvošanas mehānisms bīstamām situācijām. Avārijas situācijās gadījumā nekavējoties noņemiet siksnu no pleca neatkarīgi no tā, kādā pozīcijā tā atrodas.

DARBA TEHNIKAS

- **Griešana horizontālā virzienā (ar leņķi novietotu griešanas asmeni)**
griešana tiek veikta tuvu zemei stāvošā pozīcijā, piem., griežot zemus krūmājus.

Pārvietojoties gar dzīvžogu, virziet griešanas asmeni uz augšu un uz leju. Izmantojiet abas griešanas asmens puses, neatbalstiet griešanas asmeni pret zemi (H att.).

- **Griešana horizontālā virzienā (griešanas asmens atrodas taisnā pozīcijā):**

turiet griešanas asmeni leņķī no 0° līdz 10°, virzot dzīvžogu trimmeri horizontālā virzienā. Virziet griešanas asmeni lokveidā dzīvžoga ārmalu virzienā tā, lai atgriezumi tiktu noslaucīti uz zemes (I, J un K att.).

Ieteikums: Atrodoties šajā darba pozīcijā negrieziet dzīvžogus, kuru augstums sniedzas virs krūtīm.

- **Griešana vertikālā virzienā (ar leņķi novietotu griešanas asmeni):**

Griešana tiek veikta, neatrodoties tieši blakus dzīvžogam, piem., gadījumos, kad starp trimmera lietotāju un dzīvžogu atrodas puķu dobe.

Lai šajā griešanas pozīcijā nodrošinātu labāku dzīvžogu trimmera vadāmību, dzīvžogu trimmeri instrumentgalvai ieteicams pievienot sānu griešanas pozīcijā (skat. E att.)

Pārvietojoties gar dzīvžogu, virziet griešanas asmeni uz augšu un uz leju lokveida kustībā; izmantojiet abas griešanas asmens puses (L att.).

- **Griešana vertikālā virzienā (griešanas asmens atrodas taisnā pozīcijā):**

Īpaši tāla sniedzamība, neizmantojot citus palīg līdzekļus.

Pārvietojoties gar dzīvžogu, virziet griešanas asmeni uz augšu un uz leju lokveida kustībā; izmantojiet abas griešanas asmens puses (M att.).

- **Griešana augstumā virs galvas (ar leņķi novietotu griešanas asmeni)**

Turiet dzīvžogu trimmeri vertikāli un virziet to lokveida kustībā, lai maksimāli izmantotu tā sniedzamību (N att.). Ļoti augsta dzīvžoga gadījumā kā griešanas palīg līdzekli iespējams izmantot kāta pagarinājumu.

⚠ BRĪDINĀJUMS! Darbs jebkādā pozīcijā augstumā virs galvas ir nogurdinošs. Lai mazinātu negadījumu iespējamību, šādās darba pozīcijās strādājiet tikai neilgu brīdi. Iestatiet regulējamo griešanas asmeni maksimālajā nolieces leņķī tā, lai instrumentu būtu iespējams turēt zemākā, mazāk nogurdinošā pozīcijā (ar plecu siksnu), tajā pašā laikā joprojām nodrošinot pietiekamu sniedzamību.

DARBARĪKA PALAIŠANA / APTURĒŠANA

Skatiet instrumentgalvas PH1400E operatora rokasgrāmatā sadaļu **„INSTRUMENTGALVAS PALAIŠANA / APTURĒŠANA”**.

APKOPE

⚠ BRĪDINĀJUMS! Pirms ierīces pārbaudīšanas, tīrīšanas vai apkopes darbu veikšanas apturiet motoru, pagaidiet, līdz apstājas visas kustīgās daļas, un izņemiet akumulatora bloku. Šo norādījumu neievērošana var radīt smagas traumas vai īpašuma bojājumus.

⚠ BRĪDINĀJUMS! Veicot apkopi, izmantojiet tikai identiskas rezerves daļas. Jebkuru citu daļu izmantošana var radīt apdraudējumu vai izstrādājuma bojājumus. Lai garantētu drošību un uzticamību, visi remontdarbi jāveic kvalificētam servisa speciālistam.

VIŠPĀRĒJĀ APKOPE

Tirot plastikāta detaļas, izvairieties no šķīdinātāju lietošanas. Vairums plastmasu ir uzņēmīgas pret dažāda veida komerciālu šķīdinātāju bojājumiem un, tos izmantojot, var tikt sabojātas. Lai notīrītu neītrumus, putekļus, eļļu, smērvielas u.c., izmantojiet tīras drāniņas.

IERĪCES TĪRĪŠANA

- Izmantojiet mīkstu suku, lai notīrītu grūzus no visām gaisa ievades atverēm un griešanas asmens.
- Lai notīrītu darvu un citas lipīgas nogulsnes, apsmidziniet asmeni ar sveķu šķīdinātāju. Īsu brīdi padarbiniet dzinēju, lai šķīdinātājs tiek vienmērīgi uzklāts.
- Neīriet plastmasas korpusu un rokturi ar kodīgiem tīrīšanas līdzekļiem. Plastmasas daļas var sabojāt ar zināmām aromatizētām eļļām, piemēram, priežu un citrona, un šķīdinātājiem, piemēram, petroleju. Elektrotraumu var radīt arī mitrums. Kārtīgi noslaukiet mitrumu ar mīkstu, tīru drānu. Instrumenta tīrīšanai nekad neizmantojiet ūdeni.

GRIEŠANAS ASMENS UZASINĀŠANA

Ja griešanas jauda un sniegums pasliktinās, t.i., asmeņi bieži iekeras zaros: uzasiniet griešanas asmeņus.

Griešanas asmeņu asināšanu ieteicams uzticēt kvalificētam servisa speciālistam.

PIEZĪME: Nelietojiet dzīvzogu trimmeri, ja tā griešanas asmeņi ir trūli vai bojāti. Darbošanās šādā stāvoklī var radīt pārslodzi un neapmierinošus griešanas rezultātus.

ASMENS EĻĻOŠANA

Lai nepieļautu rūšēšanu, ilgstoši uzglabājot asmeņus, tos ieteicams ieeļļot ar eļļu ar pret rūšēšanas iedarbību.

⚠ BRĪDINĀJUMS! Asmeņi ir asi. Darbojoties ap asmeņu sistēmu, valkājiet neslidošus augstākās aizsardzības pakāpes aizsargcimdus. Nenovietojiet savas rokas vai pirkstus starp asmeņiem vai jebkurā citā pozīcijā, kur tie var tikt sadurti vai sagriezti. NEKAD nepieskarieties asmeņiem vai neveiciet iekārtas apkopi, kamēr nav izņemts akumulators.

REDUKTORU EĻĻOŠANA

Reduktori pāmesumkārbā ir periodiski jāieeļļo ar reduktoru smērvielu. Pārbaudiet smērvielas līmeni pāmesumkārbā ik pēc 50 darba stundām, ņemot uz kārbas esošo noslēgskrūvi. Kārbai ir trīs noslēgskrūves - viena sānos un divas augšpusē.

Ja uz reduktora malām nav redzama smērviela, tad, lai uzpildītu reduktoru smērvielu līdz 3/4 ietilpības, izpildiet tālāk redzamās darbības.

Neiepildiet smērvielu reduktoros līdz augšai.

1. Nolieciet dzīvzogu trimmeri uz sāniem vai uz muguras (atkarībā no tā, kura skrūve tiks izņemta) tā, lai izņemamā noslēgskrūve būtu vērsta virzienā uz augšu (O un P att.).
2. Noslēgskrūves atskrūvēšanai un izņemšanai izmantojiet komplektācijā iekļauto uzgriežņu atslēgu.
3. Izmantojiet smērvielas šjirci (komplektācijā nav iekļauta), lai iepildītu smērvielu caur skrūves atveri, nepārsniedzot 3/4 ietilpības.
4. Pēc iepildīšanas aizskrūvējiet noslēgskrūvi.

IERĪCES UZGLABĀŠANA

- Izņemiet akumulatora bloku no instrumenta.
- Pirms uzglabāšanas kārtīgi notīriet instrumentu.
- Pirms novietošanas uzglabāšanā vai transportēšanas uzlieciet uz griešanas asmens aizsargapvalku. Rīkojieties uzmanīgi, lai izvairītos no asajiem asmeņu zobiem.
- Ja dzīvzogu trimmera pierīce tiek ņemta no instrumentgalvas un uzglabāta atsevišķi, uzlieciet uzgali uz pierīces kāta, lai savienotajā neiekļūtu neītrumi.
- Uzglabājiet ierīci sausā, labi vēdināmā, aizslēdzamā vai augstā — bērniem nepieejamā — vietā. Neuzglabājiet ierīci blakus mēslojumam, benzīnam vai citām ķīmikālijām.

Apkārtējās vides aizsardzība



Neutilizējiet elektrisko aprīkojumu, akumulatora uzlādes ierīci un akumulatorus / atkārtoti uzlādējamās baterijas sadzīves atkritumos.

Saskaņā ar Eiropas Parlamenta un Padomes Direktīvu 2012/19/ES, kā arī Direktīvu 2006/66/EK nederīgas elektriskās un elektroniskās iekārtas un bojāti vai izlietoti akumulatori/baterijas jāsavāc atsevišķi.

Ja elektriskās ierīces tiek utilizētas atkritumu poligonos vai izgāztuvēs, bīstamās vielas var nonākt gruntsūdenī un līdz ar to barības ķēdē, tādējādi radot kaitējumu jūsu veselībai un labsajūtai.

KĻŪMJU NOVĒRŠANA

PROBLĒMA	CĒĻONIS	RISINĀJUMS
Dzīvzogu trimmeris nedarbojas.	<ul style="list-style-type: none"> ■ Dzīvzogu trimmerī nav ievietots akumulators. ■ Starp dzīvzogu trimmeri un akumulatoru nav elektriskā savienojuma. ■ Akumulators ir izlādējies. ■ Pirms palaišanas slēdža nospiešanas nav nospiesta bloķēšanas poga. ■ Akumulatora bloks vai instrumentgalva ir pārāk karsta. ■ Asmens ir iekļīlējis. ■ Dzīvzogu trimmeris ar kātu nav kārtīgi savienots ar instrumentgalvu. 	<ul style="list-style-type: none"> ■ Ievietojiet dzīvzogu trimmerī akumulatoru. ■ Izņemiet akumulatoru, pārbaudiet visus savienojumus un ievietojiet atpakaļ akumulatoru. ■ Uzlādējiet akumulatora bloku. ■ Nospiediet bloķēšanas sviru un turiet to, tad nospiediet pārslēdzēju, lai ieslēgtu instrumentu. ■ Ļaujiet akumulatoram vai instrumentgalvai atdzist, līdz temperatūra nokrītās zemāk par 67 °C. ■ Izņemiet akumulatora bloku no instrumenta. Uzmanīgi atbrīvojiet instrumentu no iestrēgušā materiāla, pēc tam ievietojiet akumulatoru un iedarbiniet instrumentu atkārtoti. ■ Atvienojiet dzīvzogu trimmeri ar kātu no instrumentgalvas. Savienojiet tos atkārtoti, ievērojot 1400E lietotāja rokasgrāmatas sadaļā "PIERĪCES PIEVIENOŠANA INSTRUMENTGALVAI" ietvertos norādījumus.
Pārmērīgas vibrācijas vai trokšņi.	<ul style="list-style-type: none"> ■ Sausi vai sarūsējuši asmeņi. ■ Asmeņi vai asmens atbalsts ir saliekts. ■ Saliekti vai bojāti zobi. ■ Atskrūvējiet asmens bultskrūves. 	<ul style="list-style-type: none"> ■ Ieļļojiet asmeņus. ■ Nomainiet pret jaunu asmeni vai atbalstu. Lai veiktu asmens vai atbalsta nomaiņu, sazinieties ar EGO servisa centru. ■ Nomainiet pret jaunu asmeni vai atbalstu. Lai veiktu asmens vai atbalsta nomaiņu, sazinieties ar EGO servisa centru. ■ Pievelciet asmens bultskrūves. Lai pievilktu bultskrūvi, ar uzgriežņu atslēgu (nav iekļauta komplektācijā) pagrieziet bultskrūvi pulksteņa rādītāju kustības virzienā.

LV

GARANTĪJA

EGO GARANTĪJAS POLITIKA

Lūdzu, apmeklējiet tīmekļa vietni egopowerplus.com, kur pieejama pilna EGO Garantijas politikas noteikumu un nosacījumu versija.

ΔΙΑΒΑΣΤΕ ΟΛΕΣ ΤΙΣ ΟΔΗΓΙΕΣ!



ΔΙΑΒΑΣΤΕ ΤΟ ΕΓΧΕΙΡΙΔΙΟ ΧΡΗΣΗΣ

⚠ Υπολειπόμενοι κίνδυνοι! Άνθρωποι που φέρουν ηλεκτρονικές συσκευές όπως βηματοδότες πρέπει να συμβουλευούνται τους γιατρούς τους πριν τη χρήση αυτού του προϊόντος. Η λειτουργία ηλεκτρικών εξοπλισμών κοντά σε βηματοδότη μπορεί να προκαλέσει παρεμβολές ή βλάβη στον βηματοδότη.

⚠ ΠΡΟΕΙΔΟΠΟΙΗΣΗ: Για να διασφαλίσετε την ασφάλεια και την αξιοπιστία, όλες οι επισκευές πρέπει να διεξάγονται από εξειδικευμένο τεχνικό του σέρβις.

ΣΥΜΒΟΛΑ ΑΣΦΑΛΕΙΑΣ

Ο σκοπός των συμβόλων ασφαλείας είναι να σας τραβήξουν την προσοχή για ενδεχόμενους κινδύνους. Προσέξτε και κατανοήστε τα σύμβολα ασφαλείας και τις επεξηγήσεις που τα συνοδεύουν. Οι προειδοποιήσεις συμβόλων από μόνες τους δεν εξαλείφουν κανέναν κίνδυνο. Οι οδηγίες και οι προειδοποιήσεις που παρέχουν δεν υποκαθιστούν τα μέτρα σωστής πρόληψης ατυχημάτων.

⚠ ΠΡΟΕΙΔΟΠΟΙΗΣΗ: Βεβαιωθείτε ότι έχετε διαβάσει και κατανοήσει όλες τις οδηγίες ασφαλείας στο παρόν Εγχειρίδιο χειριστή, συμπεριλαμβανομένων όλων των συμβόλων ασφαλείας όπως «**ΚΙΝΔΥΝΟΣ**», «**ΠΡΟΕΙΔΟΠΟΙΗΣΗ**» και «**ΠΡΟΣΟΧΗ**», προτού χρησιμοποιήσετε αυτό το εργαλείο. Η μη τήρηση όλων των παρακάτω οδηγιών μπορεί να οδηγήσει σε ηλεκτροπληξία, πυρκαγιά ή/και σοβαρό ατομικό τραυματισμό.

ΣΗΜΑΣΙΑ ΣΥΜΒΟΛΩΝ

⚠ ΣΥΜΒΟΛΟ ΕΙΔΟΠΟΙΗΣΗΣ ΑΣΦΑΛΕΙΑΣ: Υποδηλώνει **ΚΙΝΔΥΝΟ**, **ΠΡΟΕΙΔΟΠΟΙΗΣΗ** ή **ΠΡΟΣΟΧΗ**. Μπορεί να χρησιμοποιείται σε συνδυασμό με άλλα σύμβολα ή εικονογράμματα.



⚠ ΠΡΟΕΙΔΟΠΟΙΗΣΗ: Η λειτουργία ηλεκτρικών εργαλείων μπορεί να επιφέρει εκτόξευση ξένων αντικειμένων στα μάτια σας, με αποτέλεσμα σοβαρή βλάβη σε αυτά. Προτού ξεκινήσετε τη λειτουργία του ηλεκτρικού εργαλείου φοράτε πάντα προστατευτικά γυαλιά ή γυαλιά με πλευρική προστασία και εφόσον απαιτείται πλήρη προστατευτική προσωπίδα. Συστήνουμε μια προσωπίδα ασφαλείας ευρείας όρασης για χρήση πάνω από γυαλιά ή συνήθη προστατευτικά γυαλιά με πλευρική προστασία.

ΟΔΗΓΙΕΣ ΑΣΦΑΛΕΙΑΣ

Αυτή η σελίδα απεικονίζει και περιγράφει τα σύμβολα ασφαλείας που υπάρχουν ενδεχομένως σε αυτό το προϊόν. Διαβάστε, κατανοήστε και ακολουθείτε όλες τις οδηγίες στη μηχανή προτού προσπαθήσετε να διεξάγετε εργασίες συναρμολόγησης και λειτουργίας.

	Ειδοποίηση ασφαλείας	Υποδηλώνει ενδεχόμενο κίνδυνο ατομικού τραυματισμού.
	Διαβάστε Το Εγχειρίδιο Χρήσης	Προκειμένου να μειωθεί ο κίνδυνος τραυματισμού, ο χρήστης πρέπει να διαβάσει και να κατανοήσει το εγχειρίδιο χρήσης προτού χρησιμοποιήσει αυτό το προϊόν.
	Φοράτε προστατευτικά γυαλιά	Φοράτε πάντοτε προστατευτικά γυαλιά ή γυαλιά ασφαλείας με πλευρική προστασία και πλήρη προστατευτική προσωπίδα κατά τη λειτουργία αυτού του προϊόντος.
	Φοράτε προστασία για το κεφάλι	Φοράτε ένα εγκεκριμένο για την ασφάλεια κράνος για την προστασία του κεφαλιού σας.
	Να φοράτε προστατευτικά ακοής	Φοράτε πάντα προστασία ακοής όταν χρησιμοποιείτε αυτό το προϊόν.
	Μήκος λεπίδας	Το μήκος της λεπίδας
	Κοπή Χωρητικότητα	Μέγ. ικανότητα κοπής της λεπίδας

GR

	Διατηρείτε τα χέρια και τα πόδια πάντα μακριά από το εργαλείο κοπής	Ποτέ μην προσπαθείτε να χειρίζεστε το ηλεκτρικό εργαλείο με το ένα χέρι. Απώλεια του ελέγχου του ηλεκτρικού εργαλείου μπορεί να επιφέρει σοβαρό ή θανατηφόρο τραυματισμό. Για να μειώσετε τον κίνδυνο τραυματισμών κοπής διατηρείτε τα χέρια και τα πόδια μακριά από το εργαλείο κοπής. Ποτέ μην αγγίζετε ένα κινούμενο εργαλείο κοπής με το χέρι ή με οποιοδήποτε άλλο τμήμα του σώματός σας.
	Διατηρείτε μακριά τους παρευρισκόμενους	Εξασφαλίζετε ότι άλλα άτομα ή κατοικίδια παραμένουν τουλάχιστον 15 μ. μακριά από το κοντροντάλντο μπροντούρας όταν αυτό χρησιμοποιείται.
	Μην εκθέτετε στη βροχή	Μη χρησιμοποιείτε στη βροχή ή μην αφήνετε σε εξωτερικό χώρο ενώ βρέχει.
IPX4	Σύμβολο CE	Βαθμός προστασίας 4 από δειξοδυση νερού
	CE	Αυτό το προϊόν συμφωνεί με τις ισχύουσες οδηγίες της ΕΚ.
	ΑΗΗΕ (WEEE)	Τα άχρηστα ηλεκτρικά προϊόντα δεν πρέπει να απορρίπτονται στα οικιακά απόβλητα. Παραδίδετέ τα σε μια εξουσιοδοτημένη εταιρεία ανακύκλωσης.

	Θόρυβος	Εγγυημένη στάθμη ηχητικής ισχύος. Εκπομπές θορύβου στο περιβάλλον σύμφωνα με την οδηγία της Ευρωπαϊκής Κοινότητας.
V	Volt	Τάση
mm	Χιλιοστό	Μήκος ή διαστάσεις
cm	Εκατοστό	Μήκος ή διαστάσεις
kg	Κιλό	Βάρος

ΣΗΜΑΝΤΙΚΕΣ ΟΔΗΓΙΕΣ ΑΣΦΑΛΕΙΑΣ

⚠️ ΠΡΟΕΙΔΟΠΟΙΗΣΗ! Όταν χρησιμοποιείτε συσκευές κήπου θα πρέπει να λαμβάνετε τις βασικές προφυλάξεις ασφαλείας, έτσι ώστε να ελαχιστοποιηθεί ο κίνδυνος πυρκαγιάς, ηλεκτροπληξίας και σωματικών βλαβών, συμπεριλαμβανομένων και των ακόλουθων:

ΔΙΑΒΑΣΤΕ ΠΡΟΣΕΚΤΙΚΑ ΠΡΙΝ ΑΠΟ ΤΗ ΧΡΗΣΗ

ΦΥΛΑΞΤΕ ΓΙΑ ΜΕΛΛΟΝΤΙΚΗ ΧΡΗΣΗ

⚠️ ΚΙΝΔΥΝΟΣ! Μη θέτετε σε λειτουργία κοντά σε γραμμές ηλεκτρικού. Η μονάδα δεν έχει σχεδιαστεί για την παροχή προστασίας από ηλεκτροπληξία στην περίπτωση επαφής με υπερκείμενες γραμμές ηλεκτρικού. Να συμβουλευτείτε τους τοπικούς κανονισμούς για τις αποστάσεις ασφαλείας από υπερκείμενες γραμμές ηλεκτρικού και να διασφαλίζετε ότι η θέση λειτουργίας είναι ασφαλής προτού χειριστείτε το εργαλείο.

ΠΡΟΕΙΔΟΠΟΙΗΣΕΙΣ ΑΣΦΑΛΕΙΑΣ ΓΙΑ ΘΑΜΝΟΚΟΠΤΙΚΑ

⚠️ ΚΙΝΔΥΝΟΣ! Διατηρείτε τα χέρια μακριά από τη λεπίδα. Η επαφή με τη λεπίδα μπορεί να επιφέρει σοβαρό ατομικό τραυματισμό.

- Διατηρείτε όλα τα μέρη του σώματός σας μακριά από το κοπτικό εξάρτημα. Μην απομακρύνετε ή μην πιάνετε τα κομμένα υπολείμματα όταν οι λεπίδες του κοπτικού εξαρτήματος κινούνται. Σιγουρευτείτε ότι ο διακόπτης είναι στη θέση απενεργοποίησης όταν καθαρίζετε υλικό που έχει εμπλακεί. Μια στιγμή απροσεξίας κατά τη χρήση του ψαλιδιού μπροντούρας μπορεί να προκαλέσει σοβαρό τραυματισμό.

GR

- Σε μηχανήματα με καθορισμένη θέση μεταφοράς (λεπίδα κοπής διπλωμένη επάνω στον άξονα κονταροψάλιδου μπορντούρας): Ποτέ μην εκκινείτε το μηχανήμα στη θέση μεταφοράς, διότι οι λεπίδες δεν έχουν εμπλακεί σε αυτή τη θέση και εσείς δεν μπορείτε έτσι να ελέγξετε οπτικά εάν θα σταματήσουν στο ρελαντί όταν εκκινήσετε τη ρύθμιση της λεπίδας κοπής στην επιθυμητή θέση κοπής (όπου εμπλέκονται οι λεπίδες).
- Μεταφέρετε το θαμνοκοπτικό από τη λαβή με τη λεπίδα του κοπτικού εξαρτήματος να έχετε σταματήσει να κινείται. Όταν μεταφέρετε ή αποθηκεύετε το θαμνοκοπτικό να τοποθετείτε πάντα το κάλυμμα του κοπτικού εξαρτήματος. Ο σωστός χειρισμός του θαμνοκοπτικού θα μειώσει πιθανό τραυματισμό από τις λεπίδες του κοπτικού εξαρτήματος.
- Μην πιάνετε τις εκτεθειμένες λεπίδες κοπής ή ακμές κοπής όταν πιάνετε ή κρατάτε το θαμνοκοπτικό.
- Κρατάτε το ηλεκτρικό εργαλείο από τις μονωμένες λαβές μόνο, γιατί η λεπίδα κοπτικού μπορεί να έρθει σε επαφή με κρυφές καλωδιώσεις. Αν οι λεπίδες κοπτικού έρθουν σε επαφή με ηλεκτροφόρα καλώδια ενδέχεται τα εκτεθειμένα μεταλλικά μέρη του ηλεκτρικού εργαλείου να καταστούν και αυτά ηλεκτροφόρα και να προκαλέσουν ηλεκτροπληξία στον χειριστή.
- Να διατηρείτε το καλώδιο μακριά από την περιοχή κοπής. Κατά τη διάρκεια της λειτουργίας το καλώδιο μπορεί να κρυφτεί μέσα σε θάμνους και να κοπεί κατά λάθος από τη λεπίδα.
- Πριν τη λειτουργία ελέγχετε τον θάμνο για ξένα αντικείμενα, π.χ. συρματοπλέγματα.
- Για να μειώσετε τον κίνδυνο τραυματισμού από απώλεια του ελέγχου βεβαιώστε οπωσδήποτε ότι η λεπίδα κοπής είναι μακριά από εσάς και από άλλα εμπόδια, συμπεριλαμβανομένου του εδάφους, διότι κατά την εκκίνηση του εργαλείου η ταχύτητα του μοτέρ θα είναι τόσο γρήγορη ώστε να εμπλέξει και μετακινήσει τη λεπίδα κοπής στο εργαλείο.
- Μην επιτρέπετε σε άλλα άτομα να εισέρχονται στο γενικό χώρο εργασίας. Εξασφαλίστε ότι άλλα άτομα ή κατοικίδια παραμένουν τουλάχιστον 15 μ. μακριά από το κονταροψάλιδο μπορντούρας όταν αυτό χρησιμοποιείται.
- Ποτέ μην αφήνετε παιδιά να χειρίζονται το θαμνοκοπτικό.
- Να κρατάτε το μηχανήμα χρησιμοποιώντας και τα δυο σας χέρια. Η χρήση του ενός χεριού μπορεί να προκαλέσει απώλεια του ελέγχου και να επιφέρει σοβαρό ατομικό τραυματισμό.
- Μην προεκτείνετε. Πατάτε πάντα σταθερά και διατηρείτε την ισορροπία σας. Πρέπει να προσέχετε ιδιαίτερα σε ολισθηρές συνθήκες (βρεγμένο έδαφος, χιόνι) και σε δύσκολα εδάφη με υπερβολική βλάστηση. Προσέχετε τα κρυμμένα εμπόδια όπως κομμένους κορμούς δέντρων, ρίζες και χαντάκια προς αποφυγή κλαδιών που έχουν πέσει, θάμνων και κομμένων τμημάτων. Να είστε ιδιαίτερα προσεκτικοί όταν εργάζεστε σε κεκλιμένες επιφάνειες ή ανώμαλα εδάφη.
- Μη χρησιμοποιείτε επάνω σε σκάλα, στέγη, δέντρο ή άλλη ασταθή υποστήριξη. Το σταθερό πάτημα σε μια ανθεκτική επιφάνεια διευκολύνει τον καλύτερο έλεγχο του θαμνοκοπτικού σε μη αναμενόμενες καταστάσεις.
- Προσέχετε πάντα τις λεπίδες κοπής - μην κόβετε σε οποιονδήποτε τομέα δεν μπορείτε να δείτε το φράχτη από θάμνους. Όταν κόβετε στο άνω μέρος ενός ψηλότερου φράχτη θάμνων βεβαιώστε τακτικά ότι στην άλλη πλευρά του φράχτη δεν υπάρχουν παρειρισκόμενοι, ζώα και εμπόδια.
- Ελέγχετε τα φθαμένα εξαρτήματα πριν από περαιτέρω χρήση του θαμνοκοπτικού. Ελέγχετε για στρεβλώσεις ή εμπλοκή των κινούμενων εξαρτημάτων, στάσιμο τμημάτων, ορθή συναρμολόγηση ή οποιαδήποτε άλλη κατάσταση που είναι πιθανό να επηρεάσει τη λειτουργία του ηλεκτρικού εργαλείου.
- Ελέγχετε τη λεπίδα και τα μπουλόνια τοποθέτησης κινητήρα ανά τακτά χρονικά διαστήματα για σωστό σφίξιμο. Επίσης ελέγχετε οπτικά τη λεπίδα για ζημιές (π.χ. λύγισμα, ρωγμή και φθορές). Αντικαθιστάτε τη λεπίδα μόνο με λεπίδα της EGOTM.
- Αντικαθιστάτε τη λεπίδα εάν έχει λυγίσει ή έχει ρωγμές. Μια λεπίδα χωρίς ισορροπία προκαλεί κραδασμούς που θα μπορούσαν να προκαλέσουν ζημιά στη μονάδα οδηγού κινητήρα ή ατομικό τραυματισμό.
- Εάν ο εξοπλισμός αρχίσει να δονείται μη φυσιολογικά, σταματήστε τον κινητήρα και ελέγξτε αμέσως την αιτία. Οι κραδασμοί είναι συνήθως προειδοποίηση προβλημάτων.
- Το θαμνοκοπτικό πρέπει να χρησιμοποιείται για την κοπή κοτσανιών πάχους μικρότερου από 26mm.
- Κόβετε μόνο στο φως τις ημέρας ή κάτω από δυνατό τεχνητό φωτισμό.
- Μη χρησιμοποιείτε το θαμνοκοπτικό μπαταρίας στη βροχή.

ΕΠΙΠΡΟΣΘΕΤΕΣ ΠΡΟΕΙΔΟΠΟΙΗΣΕΙΣ

- Μη φορτίζετε την μπαταρία στη βροχή ή σε υγρές τοποθεσίες.

GR

- Να χρησιμοποιείται μόνο με τις συστοιχίες μπαταριών και τους φορτιστές που αναφέρονται στην εικ. Α.
- Η συστοιχία μπαταριών πρέπει να απομακρυνθεί από τη συσκευή πριν την απόρριψη της τελευταίας.
- Η μπαταρία πρέπει να απορρίπτεται με ασφάλεια.
- Μην απορρίπτετε τις μπαταρίες στη φωτιά. Τα στοιχεία μπορεί να εκραγούν. Ελέγχετε τους τοπικούς κώδικες για πιθανές ειδικές οδηγίες απόρριψης.
- Μην ανοίγετε ή παραμορφώνετε τη μπαταρία. Ο ηλεκτρολύτης που αποδεσμεύεται είναι διαβρωτικός και μπορεί να προκαλέσει βλάβη στα μάτια ή το δέρμα. Μπορεί να είναι τοξικός εάν καταποθεί.

⚠ ΠΡΟΣΟΧΗ! Ο ηλεκτρολύτης είναι ένα αραιό θειικό οξύ επιβλαβές για το δέρμα και τα μάτια. Είναι ηλεκτρικά αγωγίμο και διαβρωτικό.

- Να είστε προσεκτικοί κατά το χειρισμό μπαταριών ώστε να μην βραχυκυκλωθεί η μπαταρία με αγωγίμα υλικά όπως δαχτυλίδια, βραχιόλια και κλειδιά. Η μπαταρία ή ο αγωγός μπορεί να υπερθερμανθούν και να προκαλέσουν εγκαύματα.
- Τα εργαλεία μπαταρίας δεν πρέπει να συνδέονται σε ηλεκτρική πρίζα. Γι' αυτό βρίσκονται πάντα σε κατάσταση λειτουργίας. Προσέχετε πιθανούς κινδύνους ακόμα και όταν το εργαλείο δεν λειτουργεί. Προσέχετε όταν διεξάγετε συντήρηση ή σέρβις.
- Αφαιρείτε τη συστοιχία μπαταριών πριν το σέρβις, τον καθαρισμό ή την απομάκρυνση υλικών από το εργαλείο.
- Εξαρτήματα αντικατάστασης - Όταν κάνετε συντήρηση του εργαλείου, χρησιμοποιείτε μόνο ίδια ανταλλακτικά της EGO. Η χρήση οποιουδήποτε άλλου αξεσουάρ ή προσαρτήματος μπορεί να αυξήσει τον κίνδυνο τραυματισμού.
- Η συντήρηση του ηλεκτρικού εργαλείου σας πρέπει να γίνεται από εξειδικευμένο τεχνικό επισκευών, χρησιμοποιώντας μόνο τα ίδια ανταλλακτικά. Έτσι θα εξασφαλιστεί η ασφαλής λειτουργία του ηλεκτρικού εργαλείου.
- Μην πλένετε με λάστιχο. Αποφεύγετε να εισέρχεται νερό στον κινητήρα και στις ηλεκτρικές συνδέσεις.
- Αποθηκεύετε το εργαλείο σε μια στεγνή ή κλειδωμένη τοποθεσία σε ψηλό σημείο εκτός εμβέλειας παιδιών.

- Εάν προκύψουν καταστάσεις που δεν καλύπτονται στο παρόν εγχειρίδιο, να είστε προσεκτικοί και να κρίνετε σωστά. Επικοινωνήστε με το κέντρο σέρβις της EGO για βοήθεια.
- Φυλάξτε αυτές τις οδηγίες. Ανατρέχετε σε αυτές συχνά και χρησιμοποιείτε τις για να εκπαιδευτείτε άλλους που μπορεί να χρησιμοποιήσουν το εργαλείο. Εάν δανείσετε αυτό το εργαλείο σε κάποιον άλλο, δανείστε και αυτές τις οδηγίες, ώστε να εμποδίσετε εσφαλμένη χρήση του προϊόντος και πιθανό τραυματισμό.

ΦΥΛΑΞΤΕ ΑΥΤΕΣ ΤΙΣ ΟΔΗΓΙΕΣ

ΣΗΜΕΙΩΣΗ: ΔΕΙΤΕ ΤΟ ΕΓΧΕΙΡΙΔΙΟ ΧΡΗΣΗΣ ΤΗΣ ΗΛΕΚΤΡΙΚΗΣ ΣΑΣ ΚΕΦΑΛΗΣ ΓΙΑ ΕΠΙΠΡΟΣΘΕΤΟΥΣ ΕΙΔΙΚΟΥΣ ΚΑΝΟΝΕΣ ΑΣΦΑΛΕΙΑΣ.

ΠΡΟΔΙΑΓΡΑΦΕΣ

Μήκος λεπίδας	51 εκ	
Ικανότητα κοπής	26 χιλ.	
Βάρος (χωρίς συστοιχία μπαταριών, θήκη αλυσίδας)	2,20 κιλά	
Προτεινόμενη θερμοκρασία λειτουργίας	0°C-40°C	
Προτεινόμενη θερμοκρασία αποθήκευσης	-20°C-70°C	
Μετρημένο επίπεδο ισχύος ήχου L_{WA}	92,3 dB(A) K=2,72 dB(A)	
Στάθμη ηχητικής πίεσης στη θέση χειριστή L_{PA}	80,4 dB(A) K=3 dB(A)	
Εγγυημένη στάθμη ηχητικής ισχύος L_{WA} (σύμφωνα με 2000/14/EC)	95 dB(A)	
Δονήσεις a_h	Λαβή μπροστινής υποβολήθησης	4,9 m/s ² K=1,5 m/s ²
	Οπίσθια λαβή	6,7 m/s ² K=1,5 m/s ²

- Οι παραπάνω παράμετροι έχουν ελεγχθεί και μετρηθεί με εξοπλισμό ηλεκτρικής κεφαλής PH1400E.
- Η αναφερόμενη συνολική τιμή κραδασμών έχει μετρηθεί σύμφωνα με την πρότυπη μέθοδο ελέγχου και μπορεί να χρησιμοποιηθεί για τη σύγκριση ενός εργαλείου με κάποιο άλλο.
- Η αναφερόμενη συνολική τιμή κραδασμών μπορεί να χρησιμοποιηθεί επίσης για την προκαταρκτική αξιολόγηση της έκθεσης.

GR

ΣΗΜΕΙΩΣΗ: Οι εκπομπές κραδασμών κατά τη διάρκεια της πραγματικής χρήσης του ηλεκτρικού εργαλείου μπορεί να διαφέρουν από τη δηλωμένη τιμή στην οποία χρησιμοποιείται το εργαλείο. Για την προστασία του χειριστή, πρέπει να χρησιμοποιούνται γάντια και προστασία της ακοής στις πραγματικές συνθήκες χρήσης.

ΚΑΤΑΛΟΓΟΣ ΕΞΑΡΤΗΜΑΤΩΝ ΣΥΣΚΕΥΑΣΙΑΣ

ΟΝΟΜΑ ΕΞΑΡΤΗΜΑΤΟΣ	ΠΟΣΟΤΗΤΑ
Προάρτημα κονταροψαλίδου μπορντούρας	1
Μηχανικό κλειδί	1
Θήκη λεπίδας	1
Εγχειρίδιο χρήσης	1

ΠΕΡΙΓΡΑΦΗ

ΓΝΩΡΙΣΤΕ ΤΟ ΠΡΟΣΑΡΤΗΜΑ ΚΟΝΤΑΡΟΨΑΛΙΔΟΥ ΜΠΟΡΝΤΟΥΡΑΣ (Εικ. Α)

1. Λεπίδα κοπής
2. Γραναζωτός τροχός
3. Σκανδάλη
4. Άξονας κονταροψαλίδου μπορντούρας
5. Μαλακό χιτώνιο
6. Τερματικό πώμα
7. Μοχλός ρύθμισης
8. Κιβώτιο γραναζιών
9. Μηχανικό κλειδί
10. Θήκη λεπίδας
11. Προστατευτικό ακμής (προαιρετικό, ΠΩΛΕΙΤΑΙ ΞΕΧΩΡΙΣΤΑ)

ΣΥΝΑΡΜΟΛΟΓΗΣΗ

⚠️ ΠΡΟΕΙΔΟΠΟΙΗΣΗ: Σε περίπτωση που κάποια από τα εξαρτήματα έχουν υποστεί ζημιά ή λείπουν, μη χρησιμοποιήσετε το μηχάνημα, μέχρι να αντικατασταθούν. Η χρήση αυτού του προϊόντος με φθαρμένα ή ελλιπή εξαρτήματα μπορεί να έχει σαν αποτέλεσμα σοβαρό ατομικό τραυματισμό.

⚠️ ΠΡΟΕΙΔΟΠΟΙΗΣΗ: Μην επιχειρήσετε να τροποποιήσετε αυτό το εργαλείο ή να χρησιμοποιήσετε εξαρτήματα που δεν συστήνονται για χρήση με αυτό το πριόνι με κοντάρι. Οποιαδήποτε τέτοια μετατροπή ή τροποποίηση μπορεί να προκαλέσει επικίνδυνες συνθήκες με επακόλουθο σοβαρό τραυματισμό.

⚠️ ΠΡΟΕΙΔΟΠΟΙΗΣΗ: Ποτέ μην προσαρτάτε ή ρυθμίζετε οποιοδήποτε προσάρτημα ενώ λειτουργεί η ηλεκτρική κεφαλή ή με τοποθετημένη την μπαταρία. Εάν δεν σταματήσετε το μοτέρ ή δεν απομακρύνετε τη μπαταρία, μπορεί να προκληθεί σοβαρός ατομικός τραυματισμός.

ΡΥΘΜΙΣΗ ΤΗΣ ΛΕΠΙΔΑΣ ΚΟΠΗΣ

Όταν το κονταροψαλίδο μπορντούρας απομακρύνεται από τη συσκευασία, είναι διπλωμένο στη θέση αποθήκευσης στην οποία η λεπίδα κοπής βρίσκεται αντίθετα από τον άξονα (Εικ. Β). Συστήνεται να ρυθμίζετε τη λεπίδα κοπής σε μια κατάλληλη θέση εργασίας προτού την προσαρτήσετε στην ηλεκτρική κεφαλή.

Διατίθενται 12 πιθανές θέσεις εργασίας. Η γωνία της λεπίδας κοπής μπορεί να ρυθμιστεί προς τα επάνω σε 5 στάδια από 0° (ίσια) έως 45°, συμπεριλαμβανομένων των 0°, και προς τα κάτω σε 7 στάδια από 0° έως 90° (η δεξιά γωνία βλέπει κάτω) (Εικ. C), χωρίς να περιλαμβάνονται οι 0°.

1. Πατήστε τη σκανδάλη στο μοχλό ρύθμισης και περιστρέψτε εν τω μεταξύ το μοχλό ρύθμισης για να προσαρμόσετε τη λεπίδα κοπής στην επιθυμητή θέση κοπής (Εικ. D).
2. Μόλις επιτευχθεί η επιθυμητή θέση, αποδεσμεύστε τη σκανδάλη. Ένα κλικ με ήχο υποδηλώνει ότι ο πείρος ασφάλισης έχει εμπλακεί στον γραναζωτό τροχό, σε θέση δεξιά (Εικ. D).

Εικ. D Για την περιγραφή των εξαρτημάτων δείτε παρακάτω:

D-1	Γραναζωτός τροχός
D-2	Πείρος ασφάλισης

⚠️ ΠΡΟΕΙΔΟΠΟΙΗΣΗ: Για να μειώσετε τον κίνδυνο τραυματισμού διεξάγετε τη ρύθμιση μόνο όταν οι λεπίδες κοπής έχουν ακινητοποιηθεί. Ποτέ μην αγγίζετε τις λεπίδες ενώ κάνετε ρυθμίσεις.

⚠️ ΠΡΟΕΙΔΟΠΟΙΗΣΗ: Για να μειώσετε τον κίνδυνο τραυματισμού, σταματάτε πάντα το εργαλείο και τοποθετείτε τη θήκη λεπίδας προτού μετακινήσετε τη λεπίδα κοπής στη θέση αποθήκευσης ή την από μετακίνηση από αυτή τη θέση στην κανονική θέση εργασίας.

ΣΥΝΔΕΣΗ/ΑΠΟΜΑΚΡΥΝΣΗ ΤΟΥ ΠΡΟΣΑΡΤΗΜΑΤΟΣ ΚΟΝΤΑΡΟΨΑΛΙΔΙΟΥ ΜΠΟΡΝΤΟΥΡΑΣ ΣΤΗΝ ΗΛΕΚΤΡΙΚΗ ΚΕΦΑΛΗ

Αυτό το προσάρτημα κονταροψαλιδίου μπορντούρας έχει σχεδιαστεί για χρήση με την ηλεκτρική κεφαλή ΛΙΘΙΟΥ - ΙΟΝΤΩΝ EGO 56V RH1400E. Εκτός της θέσης άνω κοπής, υπάρχει μια θέση πλάγιας κοπής στον άξονα κονταροψαλιδίου μπορντούρας για τη σύνδεση με την ηλεκτρική κεφαλή (Εικ. Ε). Για λεπτομερείς τεχνικές εργασίας δείτε το απόσπασμα «**ΤΕΧΝΙΚΕΣ ΕΡΓΑΣΙΑΣ**» στο παρόν εγχειρίδιο.

Εικ. Ε Για την περιγραφή των εξαρτημάτων δείτε παρακάτω:

E-1	Θέση άνω κοπής
E-2	Θέση πλάγιας κοπής

Δείτε το απόσπασμα «**ΕΓΚΑΤΑΣΤΑΣΗ ΕΝΟΣ ΠΡΟΣΑΡΤΗΜΑΤΟΣ ΣΤΗΝ ΗΛΕΚΤΡΙΚΗ ΚΕΦΑΛΗ**» στο εγχειρίδιο χρήστη ηλεκτρικής κεφαλής RH1400E για τη σύνδεση του κονταροψαλιδίου μπορντούρας στην ηλεκτρική κεφαλή.

Δείτε το απόσπασμα «**ΑΠΟΜΑΚΡΥΝΣΗ ΤΟΥ ΠΡΟΣΑΡΤΗΜΑΤΟΣ ΑΠΟ ΤΗΝ ΗΛΕΚΤΡΙΚΗ ΚΕΦΑΛΗ**» στο εγχειρίδιο χρήστη ηλεκτρικής κεφαλής RH1400E για την απομακρυνση του κονταροψαλιδίου μπορντούρας από την ηλεκτρική κεφαλή.

ΤΟΠΟΘΕΤΗΣΗ ΤΟΥ ΠΡΟΣΤΑΤΕΥΤΙΚΟΥ ΑΚΜΗΣ (Προαιρετικό)

- Χρησιμοποιήστε ένα εξάγωνο κλειδί για να απομακρύνετε το κοντό μπουλόνι, την απλή ροδέλα, το κολάρο και το παξιμάδι στο άκρο της λεπίδας κοπής (Εικ. F). Φυλάξτε την απλή ροδέλα, το κολάρο και το παξιμάδι για την επανασυναρμολόγηση.

Fig. F parts description see below:

F-1	Παξιμάδι	F-3	Απλή ροδέλα
F-2	Χιτώνιο	F-4	Κοντό μπουλόνι

- Ευθυγραμμίστε το προστατευτικό ακμής με την προεξοχή στη λεπίδα κοπής και τοποθετήστε το στη θέση του. Ασφαλίστε το με το νέο μακρύ μπουλόνι και το παξιμάδι καθώς και με τη ροδέλα, το κολάρο και το παξιμάδι (Εικ. G) που είχατε φυλάξει.

Fig. G parts description see below:

G-1	Παξιμάδι	G-4	Χιτώνιο
G-2	Προστατευτικό ακμής	G-5	Απλή ροδέλα
G-3	Παξιμάδι	G-6	Μακρύ μπουλόνι

ΛΕΙΤΟΥΡΓΙΑ

⚠ ΚΙΝΔΥΝΟΣ: Ποτέ μην κόβετε κοντά σε ηλεκτρικές γραμμές, ηλεκτρικά καλώδια ή άλλες πηγές ηλεκτρικού. Εάν οι λεπίδες κοπής μπλοκάρουν σε ηλεκτρικά καλώδια ή γραμμές, **ΜΗΝ ΑΓΓΙΖΕΤΕ ΤΗ ΛΕΠΙΔΑ ΚΟΠΗΣ Ή ΤΟ ΑΛΟΥΜΙΝΕΝΙΟ ΚΟΝΤΑΡΙ! ΜΠΟΡΕΙ ΝΑ ΚΑΤΑΣΤΟΥΝ ΗΛΕΚΤΡΟΦΟΡΑ ΚΑΙ ΝΑ ΓΙΝΟΥΝ ΠΟΛΥ ΕΠΙΚΙΝΔΥΝΑ.** Συνεχίστε να κρατάτε το κονταροψαλίδιο μπορντούρας από τη μονωμένη πίσω λαβή ή ακουμπήστε το κάτω με ασφαλή τρόπο και απομακρυνθείτε από αυτό. Διακόψτε το ρεύμα στην κατεστραμμένη γραμμή ή το καλώδιο πριν επιχειρήσετε να ελευθερώσετε τη λεπίδα κοπής από τη γραμμή ή το καλώδιο. Η επαφή με τη λεπίδα κοπής, άλλα

αγώγιμα τμήματα του κονταροψαλιδίου μπορντούρας ή ηλεκτρικά καλώδια ή αγωγούς θα επιφέρει θάνατο από ηλεκτροπληξία ή σοβαρό τραυματισμό.

⚠ ΠΡΟΕΙΔΟΠΟΙΗΣΗ: Η εξοικείωσή σας με αυτό το προϊόν δε θα πρέπει να σας κάνει λιγότερο προσεκτικούς. Θυμηθείτε πως ένα κλάσμα δευτερολέπτου απροσεξίας μπορεί να προκαλέσει σοβαρό τραυματισμό.

⚠ ΠΡΟΕΙΔΟΠΟΙΗΣΗ: Φοράτε πάντα προστασία για τα μάτια με πλαϊνά προστατευτικά. Σε αντίθεση με την περιήγηση, είναι πιθανό να υπάρξει εκτόξευση αντικειμένων στα μάτια σας και άλλοι πιθανοί σοβαροί τραυματισμοί.

Πριν από κάθε χρήση, επιθεωρείτε ολόκληρο το προϊόν για κατεστραμμένα ή λασκαρισμένα εξαρτήματα ή εξαρτήματα που λείπουν, όπως βίδες, παξιμάδια, μπουλόνια, καπάκια, κλπ. Σφίξτε καλά όλους τους σφικτήρες και τα καπάκια, και μη χρησιμοποιήσετε αυτό το προϊόν πριν να αντικατασταθούν όλα τα εξαρτήματα που λείπουν ή αυτά που έχουν καταστραφεί.

⚠ ΠΡΟΕΙΔΟΠΟΙΗΣΗ: Για να εμποδίσετε σοβαρό ατομικό τραυματισμό, απομακρύνετε τη συστοιχία μπαταριών από το εργαλείο πριν από σέρβις, καθαρισμό, αλλαγή προσαρτημάτων ή αφαίρεση υλικού από τη μονάδα.

Μετά από κάθε χρήση, καθαρίζετε το εργαλείο. Δείτε το απόσπασμα Συντήρηση για οδηγίες καθαρισμού.

ΕΦΑΡΜΟΓΕΣ

Μπορείτε να χρησιμοποιείτε αυτό το προϊόν για την κοπή φρακτών από θάμνους, θάμνων, χαμόδεντρων και παρόμοιων υλικών με μια διάμετρο κλαδιού μικρότερη από Ø 26 χιλ.

⚠ ΣΗΜΕΙΩΣΗ: Το εργαλείο πρέπει να χρησιμοποιείται αποκλειστικά για τη σκοπούμενη χρήση. Οποιαδήποτε άλλη χρήση θα χαρακτηριστεί ως περίπτωση κακής χρήσης.

ΧΡΗΣΗ ΤΟΥ ΚΟΝΤΑΡΟΨΑΛΙΔΙΟΥ ΜΠΟΡΝΤΟΥΡΑΣ ΜΕ ΤΗΝ ΗΛΕΚΤΡΙΚΗ ΚΕΦΑΛΗ

ΠΡΟΕΙΔΟΠΟΙΗΣΗ: Ντύνεστε κατάλληλα για τη μείωση κινδύνου τραυματισμού κατά τη λειτουργία αυτού του εργαλείου. Μη φοράτε φαρδιά ρούχα ή κοσμήματα. Φοράτε προστατευτικά γυαλιά και προστατευτικό αψιδίων/ακοής. Φοράτε βαριά, μακριά παντελόνια, μπότες και γάντια. Μην φοράτε κοντά παντελόνια, σανδάλια και μην είστε ξυπόλυτοι.

ΠΡΟΕΤΟΙΜΑΣΙΑ ΓΙΑ ΤΗΝ ΚΟΠΗ:

1. Ρυθμίστε τη λεπίδα κοπής στην επιθυμητή θέση εργασίας.
2. Απομακρύνετε τη θήκη λεπίδας από τη λεπίδα κοπής.
3. Για μια ασφαλή και καλύτερη λειτουργία, τοποθετήστε τον ιμάντα ώμου εγκάρσια στον ώμο. Ρυθμίστε τον ιμάντα ώμου σε μια άνετη θέση λειτουργίας. Ακολουθήστε τις οδηγίες στο απόσπασμα «**ΤΟΠΟΘΕΤΗΣΗ ΤΟΥ ΙΜΑΝΤΑ ΩΜΟΥ**» του εγχειριδίου χρήσης για το RH1400E σχετικά με την προσάρτηση του ιμάντα ώμου **ΕΠΙΝΩ ΟΤΗΝ ΗΛΕΚΤΡΙΚΗ ΚΕΦΑΛΗ**.

⚠ ΠΡΟΕΙΔΟΠΟΙΗΣΗ: Ο ιμάντας ώμου είναι επίσης ένας μηχανισμός γρήγορης αποδέσμευσης σε επικίνδυνη κατάσταση. Σε επείγουσα κατάσταση αφαιρέστε τον από τον ώμο σας αμέσως, ανεξάρτητα από τη θέση του ιμάντα.

ΤΕΧΝΙΚΕΣ ΕΡΓΑΣΙΑΣ

- **Οριζόντια κοπή (με τη λεπίδα κοπής σε μια γωνία):** Κόψτε κοντά στο έδαφος από όρθια θέση, π.χ. χαμηλούς θάμνους.

Μετακινήστε τη λεπίδα κοπής επάνω και κάτω καθώς κινείστε κατά μήκος του φράχτη - χρησιμοποιείτε και τις δύο πλευρές των λεπίδων κοπής, μην αποθέτετε τη λεπίδα κοπής στο έδαφος (Εικ. Η).

- **Οριζόντια κοπή (με ίσια λεπίδα κοπής):**

Κρατάτε τη λεπίδα κοπής σε μια γωνία 0° έως 10° καθώς μετακινείτε οριζόντια το κονταροψάλιδο μπορντούρας. Περιστρέψτε τη λεπίδα κοπής τοξοειδώς προς τις εξωτερικές πλευρές του θάμνου, έτσι ώστε οι κοπές να παρασύρονται στο έδαφος (Εικ. Ι, J & Κ).

Σύσταση: Κόβετε μόνο τους φράχτες που δεν υπερβαίνουν το ύψος του στήθους στη θέση εργασίας.

- **Κάθετη κοπή (με τη λεπίδα κοπής σε μια γωνία):** Κόβετε χωρίς να στέκεστε ακριβώς δίπλα στο φράχτη, π.χ. στο παρτέρι μεταξύ χειριστή και φράχτη.

Σε αυτή τη θέση κοπής, για έναν καλύτερο έλεγχο του κονταροψάλιδου μπορντούρας, συστήνεται να συνδέετε το κονταροψάλιδο με την ηλεκτρική κεφαλή στην πλαϊνή θέση κοπής (Δείτε Εικ. Ε).

Μετακινείτε τη λεπίδα κοπής επάνω και κάτω τοξοειδώς καθώς μετακινείστε κατά μήκος του φράχτη - χρησιμοποιείτε και τις δύο πλευρές της λεπίδας κοπής (Εικ. Λ).

Κάθετη κοπή (με ίσια λεπίδα κοπής):

Φτάνετε πολύ μακριά χωρίς να απαιτείται άλλη βοήθεια.

Μετακινείτε τη λεπίδα κοπής επάνω και κάτω τοξοειδώς καθώς μετακινείστε κατά μήκος του φράχτη - χρησιμοποιείτε και τις δύο πλευρές της λεπίδας κοπής (Εικ. Μ).

- **Κοπή πάνω από το κεφάλι (με τη λεπίδα κοπής σε μια γωνία)**

Κρατάτε το κονταροψάλιδο μπορντούρας κάθετα και το μετακινείτε τοξοειδώς ώστε να κάνετε μέγιστη χρήση του πλεονεκτήματος έκτασης (Εικ. Ν). Για εξαιρετικά ψηλό φράχτη, αυτό το κοντάρι επέκταση είναι η κατάλληλη βοήθεια στις κοπές.

⚠ ΠΡΟΕΙΔΟΠΟΙΗΣΗ: Οποιαδήποτε θέση εργασίας πάνω από το κεφάλι είναι κουραστική. Για να ελαχιστοποιείτε τον κίνδυνο ατυχημάτων να εργάζεστε σε τέτοιες θέσεις μόνο για σύντομες περιόδους. Ρυθμίστε τη γωνία της ρυθμιζόμενης λεπίδας κοπής στη μέγιστη τιμή έτσι ώστε να μπορείτε να κρατάτε το εργαλείο πιο χαμηλά, σε θέση λιγότερο κουραστική (με τον ιμάντα ώμου) ενώ συνεχίζετε να εκτείνετε επαρκώς.

ΕΝΑΡΞΗ/ΣΤΑΜΑΤΗΜΑ ΤΟΥ ΕΡΓΑΛΕΙΟΥ

Δείτε το απόσπασμα «**ΕΝΑΡΞΗ/ΣΤΑΜΑΤΗΜΑ ΤΗΣ ΗΛΕΚΤΡΙΚΗΣ ΚΕΦΑΛΗΣ**» στο εγχειρίδιο χρήσης της ηλεκτρικής κεφαλής RH1400E.

ΣΥΝΤΗΡΗΣΗ

⚠ ΠΡΟΕΙΔΟΠΟΙΗΣΗ: Πριν τον έλεγχο, τον καθαρισμό ή τη συντήρηση της μονάδας, σταματήστε το μοτέρ, περιμένετε να σταματήσουν όλα τα κινούμενα εξαρτήματα και απομακρύνετε τη συστοιχία μπαταριών. Η μη τήρηση των οδηγιών μπορεί να οδηγήσει σε σοβαρό τραυματισμό ή υλικές ζημιές.

⚠️ ΠΡΟΕΙΔΟΠΟΙΗΣΗ: Όταν κάνετε συντήρηση του εργαλείου, χρησιμοποιείτε μόνο ίδια ανταλλακτικά. Η χρήση οποιωνδήποτε άλλων εξαρτημάτων μπορεί να προκαλέσει κίνδυνο ή ζημιά του προϊόντος. Για να διασφαλίσετε την ασφάλεια και την αξιοπιστία, όλες οι επισκευές πρέπει να διεξάγονται από εξειδικευμένο τεχνικό του σέρβις.

ΓΕΝΙΚΗ ΣΥΝΤΗΡΗΣΗ

Αποφύγετε τη χρήση διαλυτών κατά τον καθαρισμό των πλαστικών εξαρτημάτων. Τα περισσότερα πλαστικά είναι ευπαθή στη χρήση διαφόρων τύπων διαλυτών του εμπορίου και καταστρέφονται από τη χρήση τους. Χρησιμοποιείτε καθαρό πανί για την απομάκρυνση βρωμιάς, σκόνης, λαδιού, γράσου κτλ.

ΚΑΘΑΡΙΣΜΟΣ ΤΗΣ ΜΟΝΑΔΑΣ

- Χρησιμοποιείτε μια μαλακιά βούρτσα για την απομάκρυνση υπολειμμάτων από όλες τις εισόδους αέρα και από τη λεπίδα κοπής.
- Για να απομακρύνετε υπολείμματα που κολλάνε, ψεκάστε τις λεπίδες με διάλυμα ρητίνης. Θέστε σε σύντομη λειτουργία τον κινητήρα έτσι ώστε το διάλυμα να μοιραστεί ομοιόμορφα.
- Μη χρησιμοποιήσετε κανένα δραστικό απορρυπαντικό πάνω στο πλαστικό περίβλημα ή τη λαβή. Αυτά μπορούν να καταστραφούν από ορισμένα αρωματικά έλαια, όπως πεύκο και λεμόνι, καθώς και από διαλύτες, όπως η κηροζίνη. Η υγρασία μπορεί επίσης να προκαλέσει κίνδυνο ηλεκτροπληξίας. Σκουπίστε ενδεχόμενη υγρασία με ένα μαλακό στεγνό πανί. Ποτέ μη χρησιμοποιείτε νερό για τον καθαρισμό του εργαλείου.

ΑΚΟΝΙΣΜΑ ΤΗΣ ΛΕΠΙΔΑΣ ΚΟΠΗΣ

Όταν η απόδοση και η συμπεριφορά κοπής αρχίζουν να μειώνονται, δηλαδή οι λεπίδες μαγκώνουν συχνά σε κλαδιά: Επανατροχίστε τις λεπίδες κοπής.

Συστήνεται να αναθέσετε το τρόχισμα των λεπίδων κοπής σε έναν εξειδικευμένο τεχνικό του σέρβις.

ΣΗΜΕΙΩΣΗ: Μη χρησιμοποιήσετε το θαμνοκοπτικό σας με στομωμένες ή φθαρμένες λεπίδες κοπής. Μπορεί να προκληθεί υπερφόρτωση και τα αποτελέσματα κοπής να είναι απογοητευτικά.

ΛΙΠΑΝΣΗ ΤΗΣ ΛΕΠΙΔΑΣ

Για να εμποδίσετε εμφάνιση σκουριάς συστήνεται να λιπαίνετε τις λεπίδες με λάδι κατά της σκουριάς εφόσον θα ακολουθήσει αποθήκευση για μεγάλο χρονικό διάστημα.

⚠️ ΠΡΟΕΙΔΟΠΟΙΗΣΗ: Οι λεπίδες είναι αιχμηρές. Όταν χειρίζεστε το συγκρότημα λεπίδας, φοράτε αντιολισθητικά, ανθεκτικά προστατευτικά γάντια. Μην τοποθετείτε το χέρι ή τα δάχτυλά σας μεταξύ των λεπίδων ή σε οποιαδήποτε θέση όπου μπορεί να μαγκωθούν ή κοπούν. ΠΟΤΕ μην αγγίζετε τις λεπίδες ή μην συντηρείτε τη μονάδα με εγκατεστημένη τη συστοιχία μπαταριών.

ΛΙΠΑΝΣΗ ΣΥΣΤΗΜΑΤΟΣ ΟΔΟΝΤΟΤΡΟΧΩΝ

Το σύστημα οδοντοτροχών στο κιβώτιο γραναζιών πρέπει να λιπαίνεται περιοδικά με το γράσο μειωτήρων. Ελέγχετε μετά από κάθε 50 ώρες λειτουργίας τη στάθμη γράσου στο κιβώτιο γραναζιών αφαιρώντας τη βίδα στεγανοποίησης στο κιβώτιο γραναζιών. Υπάρχουν τρεις βίδες στεγανοποίησης, μια στα πλάγια και δύο στο επάνω μέρος.

Εάν δεν φαίνεται γράσο στις πλευρικές επιφάνειες του μειωτήρα, ακολουθήστε τα παρακάτω βήματα για να γεμίσετε με γράσο μειωτήρων έως την ένδειξη 3/4.

Μην γεμίσετε έως πάνω το σύστημα οδοντοτροχών.

1. Ανάλογα με το ποια βίδα αφαιρείτε, κρατήστε το κοντροφάλιδο μπροντούρας στα πλάγια ή αποθέστε το στο πίσω μέρος του, έτσι ώστε η βίδα στεγανοποίησης που θα αφαιρεθεί να κοιτάζει προς τα επάνω (Εικ. Ο & Ρ).
2. Χρησιμοποιήστε το παρεχόμενο κλειδί για να λασκάρετε και απομακρύνετε τη βίδα στεγανοποίησης.
3. Χρησιμοποιήστε μια σύριγγα γράσου (δεν περιλαμβάνεται) για να εισαγάγετε λίγο γράσο μέσα στην οπή βίδας. Μην υπερβιάνετε την ένδειξη 3/4.
4. Σφίξτε τη βίδα στεγανοποίησης μετά την έγχυση.

ΑΠΟΘΗΚΕΥΣΗ ΤΗΣ ΜΟΝΑΔΑΣ

- Απομακρύνετε τη συστοιχία μπαταριών από το εργαλείο.
- Καθαρίστε το εργαλείο σχολαστικά προτού το αποθηκεύσετε.
- Τοποθετήστε τη θήκη λεπίδας επάνω στη λεπίδα κοπής πριν την αποθήκευση ή μεταφορά. Να είστε προσεκτικοί και να αποφεύγετε την αιχμηρή οδόντωση της λεπίδας.
- Εάν το κοντροφάλιδο μπροντούρας αφαιρεθεί από την ηλεκτρική κεφαλή και αποθηκευτεί ξεχωριστά, τοποθετήστε το τερματικό πώμα επάνω στον άξονα προσαρτήματος ώστε να μην εισέλθουν ρύποι στη διάταξη ζεύξης.
- Αποθηκεύετε τη μονάδα σε έναν στεγνό, καλά αεριζόμενο χώρο, κλειδωμένο ή σε ψηλό σημείο, εκτός εμβέλειας παιδιών. Μην αποθηκεύετε τη μονάδα επάνω ή δίπλα σε λιπάσματα, βενζίνη ή άλλες χημικές ουσίες.

Προστασία του περιβάλλοντος



Μην απορρίπτετε τους ηλεκτρικούς εξοπλισμούς, το φορτιστή μπαταρίας και τις μπαταρίες/επαναφορτιζόμενες μπαταρίες στα οικιακά απορρίμματα!

Σύμφωνα με τον Ευρωπαϊκό νόμο 2012/19/ΕΕ, οι ηλεκτρικοί και οι ηλεκτρονικοί εξοπλισμοί που δεν χρησιμοποιούνται πλέον και σύμφωνα με τον Ευρωπαϊκό νόμο 2006/66/ΕΚ, οι ελαττωματικές ή χρησιμοποιημένες συστοιχίες μπαταριών/μπαταρίες πρέπει να συλλέγονται ξεχωριστά.

Εάν οι ηλεκτρικές συσκευές απορριφθούν στο ύπαιθρο ή σε χωματερές, τότε είναι πιθανό να διαρρεύσουν επικίνδυνες ουσίες στα υπόγεια ύδατα, με αποτέλεσμα να περάσουν στην τροφική αλυσίδα, προκαλώντας ζημιές στην υγεία και την φυσική σας κατάσταση.

KREISSVAN DER'S BEEK
T L I T M I B N L P Z B I K I N N E H S I S S W F I B I E R W I A J R K

GR

ΑΝΤΙΜΕΤΩΠΙΣΗ ΠΡΟΒΛΗΜΑΤΩΝ

ΠΡΟΒΛΗΜΑ	ΑΙΤΙΑ	ΕΠΙΛΥΣΗ
Το κονταροψάλιδο μπορντούρας δεν λειτουργεί.	<ul style="list-style-type: none"> ■ Η συστοιχία μπαταριών δεν έχει προσαρτηθεί στο κονταροψάλιδο μπορντούρας. ■ Δεν υπάρχει ηλεκτρική επαφή μεταξύ του θαμνοκοπτικού και της μπαταρίας. ■ Η συστοιχία μπαταριών έχει εξαντληθεί. ■ Το κουμπί ασφάλισης δεν πατήθηκε πριν την πίεση του διακόπτη σκανδάλης. ■ Η συστοιχία μπαταριών ή η ηλεκτρική κεφαλή είναι πολύ καυτή. ■ Η λεπίδα είναι μπλοκαρισμένη. ■ Το κονταροψάλιδο μπορντούρας δεν έχει συνδεθεί σωστά με την ηλεκτρική κεφαλή. 	<ul style="list-style-type: none"> ■ Προσαρτήστε τη συστοιχία μπαταριών στο κονταροψάλιδο μπορντούρας. ■ Απομακρύνετε τη μπαταρία, ελέγξτε τις επαφές και επανεγκαταστήστε τη συστοιχία μπαταριών. ■ Φορτίστε τη συστοιχία μπαταριών. ■ Πατήστε κάτω το μοχλό ασφάλισης και κρατήστε τον, κατόπιν πιέστε τη σκανδάλη για να ενεργοποιησετε το εργαλείο. ■ Επιτρέψτε η συστοιχία μπαταριών ή η ηλεκτρική κεφαλή να κρύνουν, έως ότου η θερμοκρασία πέσει κάτω από τους 67°C. ■ Απομακρύνετε τη συστοιχία μπαταριών από το εργαλείο. Απομακρύνετε το εμπόδιο προσεκτικά και κατόπιν επαναποθετήστε τη μπαταρία και εκκινήστε το εργαλείο. ■ Αποσυνδέστε το κονταροψάλιδο μπορντούρας από την ηλεκτρική κεφαλή. Επανασυνδέστε τα ακολουθώντας τις οδηγίες στο απόσπασμα «ΕΓΚΑΤΑΣΤΑΣΗ ΕΝΟΣ ΠΡΟΣΑΡΤΗΜΑΤΟΣ ΣΤΗΝ ΗΛΕΚΤΡΙΚΗ ΚΕΦΑΛΗ» στο εγχειρίδιο χρήστη του PH1400E.
Υπερβολικοί κραδασμοί ή θόρυβος.	<ul style="list-style-type: none"> ■ Στεγνές ή διαβρωμένες λεπίδες. ■ Οι λεπίδες ή η υποστήριξη λεπίδας έχει λυγίσει. ■ Λυγισμένη ή φθαρμένη οδόντωση. ■ Λασκαρισμένα μπουλόνια λεπίδας. 	<ul style="list-style-type: none"> ■ Λιπάνετε τις λεπίδες. ■ Αντικαταστήστε με μια νέα λεπίδα ή υποστήριξη. Επικοινωνήστε με το κέντρο σέρβις της EGO για αντικατάσταση της λεπίδας ή της υποστήριξης. ■ Αντικαταστήστε με μια νέα λεπίδα ή υποστήριξη. Επικοινωνήστε με το κέντρο σέρβις της EGO για αντικατάσταση της λεπίδας ή της υποστήριξης. ■ Σφίξτε τα μπουλόνια λεπίδας. Χρησιμοποιώντας ένα κλειδί, (δεν περιλαμβάνεται), γυρίστε δεξιόστροφα το μπουλόνι για να το σφίξετε.

GR

ΕΓΓΥΗΣΗ

ΠΟΛΙΤΙΚΗ ΕΓΓΥΗΣΗΣ EGO

Επισκεφθείτε την ιστοσελίδα egopowerplus.com για όλους τους όρους και τις προϋποθέσεις της πολιτικής εγγύησης EGO.

TÜM TALİMATLARI OKUYUN!



KULLANIM KILAVUZUNU OKUYUN

⚠️ Artık risk! Kalp pili gibi elektronik cihaz kullanan kişiler bu ürünü kullanmadan önce hekimlerine danışmalıdır. Elektrikli cihazların, kalp pili yakınında çalıştırılması kalp pilinde parazite veya arızaya neden olabilir.

⚠️ UYARI: Güvenliği ve güvenilirliği sağlamak için, tüm onarım işlemleri yetkili bir servis teknisyeni tarafından gerçekleştirilmelidir.

GÜVENLİK SEMBOLLERİ

Güvenlik sembollerinin amacı olası tehlikelere dikkatinizi çekmektir. Güvenlik sembolleri ve yanlarındaki açıklamalar özel dikkat ve anlayış göstermenizi gerektirir. Uyarı sembolleri kendi başlarına herhangi bir tehlikeyi gidermez. Sundukları talimat ve uyarılar uygun kaza önleme önlemlerinin yerine geçmez.

⚠️ UYARI: Bu aleti kullanmadan önce, "TEHLİKE", "UYARI" ve "DİKKAT" gibi tüm güvenlik uyarı ve sembollerini içeren bu Kullanım Kılavuzu içerisindeki tüm güvenlik talimatlarını okuyup anladığınızdan emin olun. Aşağıdaki talimatların tamamına uyulmaması elektrik çarpması, yangın ve/veya ciddi kişisel yaralanma ile sonuçlanabilir.

SEMBOLÜN ANLAMI

⚠️ GÜVENLİK UYARI SEMBOLÜ: TEHLİKE, UYARI veya **DİKKAT** edilmesi gereken durumları gösterir. Diğer semboller veya resimlerle birlikte kullanılabilir.



⚠️ UYARI: Elektrikli aletlerin kullanımı yabancı nesnelerin gözlerinize fırlatılması sonucunu doğurabilir, bu da gözlerde ciddi hasara yol açabilir. Elektrikli aleti kullanmaya başlamadan önce, daima göz koruması veya yan siperleri olan koruyucu gözlük takın ve gerektiğinde tam yüz siperi kullanın. Gözlük üzerine kullanım için Wide Vision Koruyucu Maske ya da yan siperleri olan standart koruyucu gözlükleri tavsiye ederiz.

TR

GÜVENLİK TALİMATLARI

Bu sayfada, bu ürün üzerinde görülebilecek güvenlik sembolleri gösterilmekte ve açıklanmaktadır. Makineyi monte etmeye ve kullanmaya başlamadan önce, makineye ilişkin tüm talimatları okuyup anlayın ve bu talimatlara uyun.

	Güvenlik Uyarısı	Potansiyel bir kişisel yaralanma tehlikesini gösterir.
	Kullanım Kılavuzunu Okuyun	Yaralanma riskini azaltmak için, kullanıcı bu ürünü kullanmadan önce kullanım kılavuzunu okuyup anlamalıdır.
	Koruyucu Gözlük Takın	Bu ürünü çalıştırırken daima göz koruması, yan siperleri olan koruyucu gözlük ya da tam yüz maskesi kullanın.
	Koruyucu Kask Takın	Başınızı korumak için onaylanmış bir kask takın.
	Kulak koruması takın	Bu ürünü kullanırken daima kulak koruması kullanın.
	Bıçak Uzunluğu	Bıçak uzunluğu
	Kesme Kapasitesi	Maks. bıçak kesme kapasitesi
	Elleri ve ayakları kesme aletinden uzak tutun	Elektrikli aletinizi asla tek elle çalıştırmaya kalkışmayın. Elektrikli aletin kontrol kaybı ciddi veya ölümcül yaralanmalarla sonuçlanabilir. Kesme yaralanma riskini düşürmek için ellerinizi ve ayaklarınızı kesme aletinden uzak tutun. Asla hareket halindeki kesme aletine elinizle veya vücudunuzun herhangi bir başka kısmı ile dokunmayın.

	Üçüncü Şahısları Uzak Tutun	Uzatmalı çit budama makinesi kullanılırken diğer insanların ve evcil hayvanların en az 15m uzakta olduklarından emin olun.
	Yağmura Maruz Bırakmayın	Bu ürünü yağmur altında kullanmayın veya yağmur yağarken dışarıda bırakmayın.
IPX4	IP Sembolü	Su girişine karşı koruma derecesi 4
	CE	Bu ürün geçerli AB direktiflerine uygundur.
	WEEE	Atık elektrikli ürünler, evsel atıklar ile birlikte imha edilmemelidir. Yetkili bir geri dönüşüm merkezine teslim edilmelidir.
	Gürültü	Garanti edilen ses gücü seviyesi, Avrupa Birliği Direktifine göre çevre ses emisyonu.
V	Volt	Voltaj
mm	Milimetre	Uzunluk veya boyut
cm	Santimetre	Uzunluk veya boyut
kg	Kilogram	Ağırlık

ÖNEMLİ GÜVENLİK TALİMATLARI

⚠ UYARI! Elektrikli bahçe aygıtlarını kullanırken yangın, elektrik çarpması ve kişisel yaralanma riskini azaltmak için aşağıdakiler de dahil olmak üzere temel güvenlik önlemlerine daima uyulmalıdır:

KULLANMADAN ÖNCE DİKKATLİCE OKUYUN

GELECEKTE BAŞVURU AMACIYLA SAKLAYIN

⚠ TEHLİKE! Elektrik güç hatlarının yakınında çalışmayın. Bu cihaz, havai güç hatlarıyla temas halinde elektrik çarpmasına karşı koruma sağlayacak şekilde tasarlanmamıştır; Havai güç hatlarıyla güvenli mesafe hakkında bilgi almak için yerel düzenlemelere başvurun ve aleti çalıştırmadan önce çalışma konumunun güvenli olduğundan emin olun.

ÇİT BUDAMA MAKİNESİ GÜVENLİK UYARILARI

⚠ TEHLİKE! Ellerinizi bıçaktan uzak tutun. Bıçak ile temas ciddi yaralanmalara neden olur.

- Tüm vücut azalarınızı kesici bıçaktan uzak tutun. Bıçaklar hareket halindeyken kesme malzemesini çıkarmayın veya kesilecek malzemeyi tutmayın. Sıkışan malzemeleri çıkarırken açma kapama düğmesinin kapalı olduğundan emin olun. Çit budama makinesini çalıştıran bir anlık gaffet, ciddi kişisel yaralanmalara neden olabilir.
- Tanımlanmış bir taşıma pozisyonu olan makinelerde (kesme bıçağı çit budama miline karşı düz olarak katlanmıştır): Bıçaklar bu pozisyonda bağlı olmadığı için ve bu sebeple de kesme bıçağını istediğiniz kesme konumuna (bıçakların bağlı olduğu) ayarlamaya başladığınızda görsel olarak durup durmadıklarını kontrol edemeyeceğiniz için asla makineyi taşıma pozisyonundayken başlatmayın.
- Çit budama makinesini, kesici bıçak çalışmıyorken sapından tutarak taşıyın. Çit budama makinesini taşıırken veya saklarken mutlaka kesici cihaz kılıfını takın. Çit budama makinesinin düzgün kullanılması kesici bıçaklar nedeniyle oluşacak kişisel yaralanmaları azaltacaktır.
- Çit budama makinesini havaya kaldırırken veya tutarken kesme bıçaklarından veya kesme kenarlarından kavramayın.
- Kesme bıçağı görünmeyen kablolar ile temas edebileceği için elektrikli aleti sadece yalıtımlı tutma yüzeylerinden tutun. "Canlı" (akım geçiren) bir kabloya temas eden kesme bıçağı elektrikli aletin metal kısımlarını da "canlı" yapabilir ve çalışan kişinin çarpılmasına neden olabilir.
- Kabloyu kesim alanından uzak tutun. Çalışma sırasında kablo çalılar arasına gizlenmiş olabilir ve bıçak tarafından yanlışlıkla kesilebilir.
- Çalışma öncesinde çit içinde tel örgü gibi yabancı cisimlerin bulunup bulunmadığını kontrol edin.
- Kontrol kaybından kaynaklanan yaralanma riskini azaltmak için kesme bıçağının zemin de dahil olmak üzere nesnelere, sizden ve diğer tüm engellerden uzak olduğundan emin olun, çünkü alet çalışmaya başladığında motor hızı aletteki kesme bıçağını çekerek hareket ettirecek kadar hızlı olacaktır.
- Diğer kişilerin genel çalışma alanına girmesine izin vermeyin. Uzatmalı çit budama makinesini kullanılırken diğer insanların ve evcil hayvanların en az 15m uzakta olduklarından emin olun.
- Çocukların budama makinesini kullanmasına asla izin vermeyin.

- Çit budama makinesini daima iki elinizle tutarak kullanın. Tek elin kullanılması kontrolün kaybedilmesine neden olarak ciddi kişisel yaralanmalara yol açabilir.
 - Dengesiz bir duruşla çalışma yapmayın. Her zaman dengenizi koruyun ve ayaklarınız yere bassın. Kaygan koşullarda (ıslak zemin, kar) ve zor, aşırı büyümüş bir arazide özellikle dikkat edilmelidir. Düşmüş dallar, bodur ağaçlar ve kesilmiş parçalardan kaçınmak için ağaç kütükleri, kökler ve hendek gibi gizli engellere dikkat edin. Yamaçlarda veya engebeli zeminde çalışırken çok dikkatli olun.
 - Merdiven, çatı, ağaç veya diğer dengesiz destekler üzerinde kullanmayın. Sabit bir yüzey üzerine sağlam bir şekilde basılması, beklenmeyen durumlarda çit budama makinesinin daha iyi kontrol edilmesini sağlar.
 - Her zaman kesme bıçaklarını gözlemleyin - çalının göremediğiniz herhangi bir bölümünü kesmeyin. Daha uzun bir çalının üstünü keserken çalının diğer yanını sık sık seyirciler, hayvanlar ve engeller için kontrol edin.
 - Çit budama makinesini tekrar kullanmadan önce, hasarlı parça olup olmadığını kontrol edin. Hareketli parçaların hizalanmasını, bağlantılarını, parçalarda kırık olup olmadığını, montajını ve çalışmasını etkileyebilecek diğer tüm koşulları kontrol edin.
 - Bıçak ve motor montaj civatalarının tam sıkılmış olduklarını sık sık kontrol edin. Ayrıca, bıçağın hasarlı (örn. eğik, çatlak ve aşınmış) olup olmadığını görsel olarak kontrol edin. Bıçağı sadece EGO™ markalı bir bıçakla değiştirin.
 - Eğik veya çatlaksa bıçağı değiştirin. Balansı bozuk bir bıçak titreşime neden olarak motor tahrik birimine zarar verebilir ya da kişisel yaralanmaya neden olabilir.
 - Cihaz anormal şekilde titreşmeye başlarsa, motoru derhal durdurun ve nedenini kontrol edin. Titreşim genellikle bir sorun olduğunu gösterir.
 - Budama makinesi 26mm kalınlığa kadar olan kökleri kesmek için kullanılabilir.
 - Sadece gün ışığında veya iyi aydınlatılmış yerlerde budama yapın.
 - Pille çalışan çit budama makinesini yağmurda kullanmayın.
- TR**
- EK GÜVENLİK UYARILARI**
- Pili paketini yağmurlu veya ıslak ortamlarda şarj etmeyin.
 - Sadece şek. A'da listelenen pil paketi ve şarj cihazlarını kullanın.
 - Atılmadan önce pil paketi cihazdan çıkarılmalıdır.

- Pili güvenli bir şekilde imha edilmelidir.
- Pili ateşe atarak imha etmeyin. Pili hücreleri patlayabilir. Mevcut özel imha talimatları için yerel yönetmeliklere bakın.
- Pili paketini açmayın veya tahrip etmeyin. Açığa çıkan elektrolit aşındırıcıdır ve gözlerin veya cildin zarar görmesine neden olabilir. Yutulması halinde zehirli olabilir.
- **⚠ DİKKAT!** Elektrolit bir seyreltik sülfürik asit olup cilt ve gözler için zararlıdır. Elektriksel olarak iletken ve aşındırıcıdır.
- Yüzük, bilezik ve anahtar gibi malzemelerle pil paketine kısa devre yaptırmamak için, pilleri tutarken dikkatli olun. Pili veya iletken aşırı ısınabilir ve yanıklara neden olabilir.
- Pille çalışan aletlerin elektrik prizine takılmalarına gerek yoktur; bu nedenle daima çalışır durumdadırlar. Alet kullanılmadığı zaman dahi oluşabilecek muhtemel tehlikelere karşı dikkatli olun. Bakım veya onarım işlemi yaparken dikkatli olun.
- Servis, temizlik veya cihazdan malzeme çıkarmadan önce pil paketini çıkarın.
- Yedek Parçalar - Bakım ve onarım sırasında sadece orijinal EGO yedek parçalarını kullanın. Diğer parça veya aksesuarların kullanılması yaralanma riskini artırır.
- Elektrikli aletlerinizin bakımını uzman bir tamirciye ve sadece aynı yedek parçaları kullanarak yaptırın. Bu, elektrikli aletin emniyetinin korunmasını sağlayacaktır.
- Hortumla yıkamayın; motor ve elektrik bağlantılarına su kaçırılmaya dikkat edin.
- Aleti kuru ve çocukların ulaşamayacağı yüksek ya da kilitli bir yerde saklayın.
- Bu kılavuzda yer almayan durumlar meydana gelirse, dikkatli ve sağduyulu davranın. Yardım için EGO Servis Merkeziyle irtibata geçin.
- Bu talimatları saklayın. Talimatlara sık sık müracaat edin ve bu aleti kullanacak diğer kişileri bilgilendirmek için kullanın. Bu aleti başka birine ödünç vererseniz, ürünün hatalı kullanılmasını ve olası yaralanmaları önlemek için bu talimatları da ürünle birlikte verin.

BU TALİMATLARI SAKLAYIN

NOT: EK ÖZEL GÜVENLİK KURALLARI İÇİN ELEKTRİKLİ ALETİN KULLANIM KILAVUZUNA BAKIN.

TEKNİK ÖZELLİKLER

Bıçak Uzunluğu	51 cm	
Kesme Kapasitesi	26 mm	
Ağırlık (pil paketi hariç)	2,20 kg	
Tavsiye Edilen Çalışma Sıcaklığı	0°C-40°C	
Tavsiye Edilen Depolama Sıcaklığı	-20°C-70°C	
Ölçülen ses güç düzeyi L_{WA}	92,3 dB(A) K=2,72 dB(A)	
Operatörün duyduğu ses güç düzeyi L_{PA}	80,4 dB(A) K=3 dB(A)	
Garanti edilen ses güç düzeyi L_{WA} (2000/14/EC uyarınca)	95 dB(A)	
Titreşim a_h	Ön destek sapı	4,9 m/s ² K=1,5 m/s ²
	Arka Tutma Sapı	6,7 m/s ² K=1,5 m/s ²

- Yukarıdaki parametreler, PH1400E elektrikli alet başlığı takılı olarak test edilmiş ve ölçülmüştür.
- Bildirilen toplam titreşim değeri standart test yöntemine uygun olarak ölçülmüştür ve bir cihazı diğer bir cihaz ile karşılaştırmak için kullanılabilir.
- Bildirilen toplam titreşim değeri ayrıca ön maruz kalma değerlendirmesinde de kullanılabilir.

UYARI: Elektrikli aletin gerçek kullanımı sırasında meydana gelen titreşim emisyonu aletin kullanım şekline bağlı olarak bildirilen değerden farklı olabilir; Operatörü korumak için, kullanıcı gerçek kullanım koşullarında eldiven ve kulak koruması takmalıdır.

AMBALAJ LİSTESİ

PARÇA ADI	MİKTAR
Uzatmalı Çit Budama Aksesuarı	1
Anahtar	1
Bıçak Kını	1
Kullanma kılavuzu	1

AÇIKLAMA

UZATMALI ÇİT BUDAMA AKSESUARINIZI TANIYIN (Şek. A)

- Kesme Bıçağı
- Kadran
- Tetikleyici
- Uzatmalı Çit Budama Makinesi Şaftı
- Yumuşak Manşon
- Uç Kapak
- Ayar Kolu
- Dişli Kutusu
- Anahtar
- Bıçak Kını
- Uç Koruması (İsteğe bağlı, AYRI OLARAK SATILIR)

MONTAJ

⚠ UYARI: Hasarlı veya eksik parça varsa, bu parçalar değiştirilinceye kadar ürünü çalıştırmayın. Bu ürünün hasarlı veya eksik parçalar ile kullanılması ciddi kişisel yaralanmalara yol açabilir.

⚠ UYARI: Bu ürün üzerinde değişiklik yapmaya veya bu testere ile kullanılması önerilmeyen aksesuarlar oluşturmayla çalışmayın. Bu tür değişiklikler veya modifikasyonlar hatalı kullanımdır ve ciddi kişisel yaralanmalara neden olabilen tehlikeli durumlara neden olabilir.

⚠ UYARI: Elektrikli alet başlığı çalışırken veya akü takılı halde iken asla bir aksesuar takmayın veya ayarlamayın. Motorun durdurulmaması ve akünün çıkarılmaması ciddi yaralanmalara neden olabilir.

KESME BIÇAĞININ AYARLANMASI

Uzatmalı çit budama makinesi paketten çıkarıldığında, kesme bıçağının şafta karşı olduğu depolama konumunda katlanmış haldedir (Şek. B). Kesme bıçağını elektrikli alet başlığına takmadan önce uygun bir çalışma pozisyonuna ayarlanması tavsiye edilir.

12 olası çalışma pozisyonu vardır. Kesme bıçağının açısı yukarı doğru 5 aşamada 0°'de dahil olmak üzere 0°'den (düz) 45°'ye kadar ve aşağı doğru 7 aşamada 0° hariç olmak üzere 0°'den 90°'ye kadar (aşağı bakan sağ aç) ayarlanabilir (Şek. C)

- Ayar kolundaki tetiğe basın ve bu arada kesme bıçağını istenilen kesme pozisyonuna (Şek. D) ayarlamak için ayar kolunu döndürün.
- İstenilen konuma ulaşıldığında, tetiği serbest bırakın. Bir klik sesi kilitleme piminin kadranda doğru yerde yerine oturmuş olduğunu belirtir (Şek. D).

Bıçakların dış kısmı bıçak koruması olarak biçimlendirilmiştir (Şek. D).

D-1	Kadran
D-2	Kilitleme Pimi

UYARI: Yaralanma riskini azaltmak için ayarlama işlemini sadece kesme bıçakları dururken yapın. Ayarlamaları yaparken bıçaklara asla dokunmayın.

UYARI: Yaralanma riskini azaltmak için, kesme bıçağını depolama konumuna getirmeden veya depolama konumundan normal çalışma konumuna getirmeden önce her zaman alet durdurun ve bıçak kınını takın.

UZATMALI ÇİT BUDAMA MAKİNESİNİN ELEKTRİKLİ ALET BAŞLIĞINA BAĞLANMASI

Bu uzatmalı çit budama makinesi EGO 56V LİTYUM-İYON Elektrikli Alet Başlığı PH1400E ile kullanılmak üzere tasarlanmıştır. Üstten kesmenin yanı sıra elektrikli alet başlığına bağlantı için uzatmalı çit budama makinesinde bir de yan kesme konumu bulunur (Şek. E). Ayrıntılı çalışma teknikleri için lütfen bu kılavuzdaki "**ÇALIŞMA TEKNİKLERİ**" bölümüne bakın.

Bıçakların dış kısmı bıçak koruması olarak biçimlendirilmiştir (Şek. E).

E-1	En Üst Kesme Pozisyonu
E-2	Yandan Kesme Pozisyonu

Uzatmalı çit budama makinesinin elektrikli alet başlığı ile bağlamak için PH1400E sayılı kullanma kılavuzunun "**ELEKTRİKLİ ALET BAŞLIĞINA BİR AKSESUAR TAKMAK**" bölümüne başvurun.

Uzatmalı çit budama makinesinin elektrikli alet başlığından çıkarmak için PH1400E sayılı kullanma kılavuzunun "**ELEKTRİKLİ ALET BAŞLIĞINDAN BİR AKSESUAR ÇIKARMAK**" bölümüne başvurun.

UÇ KORUYUCUNUN MONTE EDİLMESİ (Opsiyonel)

1. Kesme bıçağının ucundaki kısa civatayı, düz rondelayı, burç ve somunu çıkarmak için lik bir altıgen anahtar kullanın (Şek. F). Düz rondela, burç ve somunu tekrar birleştirmek için saklayın.

Bıçakların dış kısmı bıçak koruması olarak biçimlendirilmiştir (Şek. F).

F-1	Somun	F-3	Düz Rondela
F-2	Burç	F-4	Kısa Civata

2. Uç koruyucusunu kesme bıçağındaki çikıntı ile hizalayın ve yerine monte edin. Yeni uzun civata ve somunla ve de saklanan rondela, burç ve somunda emniyete alın (Şek. G).

Bıçakların dış kısmı bıçak koruması olarak biçimlendirilmiştir (Şek. G).

G-1	Somun	G-4	Burç
G-2	Uç Koruyucu	G-5	Düz Rondela
G-3	Somun	G-6	Uzun Civata

ÇALIŞTIRMA

TEHLEKE: Asla yakınlardaki güç hatlarını, elektrik kablolarını veya diğer elektrik kaynaklarını kesmeyin. Kesme bıçakları herhangi bir elektrik kablo veya hatta sıkışır, **ALÜMİNYUM SAPA VEYA KESME BİÇAKLARINA DOKUNMAYINI ELEKTRİKLİ OLABİLİRLER VE ÇOK TEHLİKELİ SONUÇLAR DOĞABİLİR.** Uzatmalı çit budama makinesini yalıtımlı arka sapından tutmaya devam edin veya yere yatırın ve sizden uzak bir şekilde tutun. Kesme bıçağını kablodan kurtarmaya çalışmadan önce hasarlı elektrik hattına giden elektrik beslemesini kesin. Kesme bıçağı veya uzatmalı çit budama makinesinin diğer iletken parçalarına ya da canlı elektrik kabloları veya hatlarına temas, elektrik çarpması sonucu ölüm veya ciddi yaralanmaya yol açabilir.

UYARI: Ürüne aşına olmanız sizi dikkatsiz yapmasın. İkinci dereceden bir dikkatsizliğin ciddi yaralanmalara neden olmak için yeterli olduğunu unutmayın.

UYARI: Daima yan siperleri olan göz koruması kullanın. Böyle yapılmaması sonucu gözlerinize fırlayan nesnelere ciddi kişisel yaralanmalara neden olabilir.

Her kullanımdan önce ürünü inceleyerek hasarlı, eksik veya vida, somun, civata, kapak vb. gevşek parça olup olmadığını kontrol edin. Tüm bağlantı parçalarını ve kapakları düzgünce sıkın, bu ürünü eksik veya hasarlı parçalar tamamlanmadan çalıştırmayın.

UYARI: Ciddi kişisel yaralanmaları önlemek için, aksesuarlara bakım veya onarım, temizlik, değişim yapmadan veya makineden malzeme çıkarmadan önce pil paketini çıkarın.

Her kullanımın ardından, aleti temizleyin.

Temizleme talimatları için Bakım bölümüne bakın.

UYGULAMALAR

Bu ürünü, Ø 26mm'ye kadar çapa sahip dalları olan çitleri, çalılıkları, bodur ağaçları veya benzeri malzemeleri budamak için kullanabilirsiniz.

UYARI: Cihaz sadece belirtilen kullanım amacı doğrultusunda kullanılmalıdır. Diğer kullanım şekilleri hatalı kullanım olarak kabul edilir.

UZATMALI ÇİT BUDAMA MAKİNESİNİ ELEKTRİKLİ ALET BAŞLIĞI İLE KULLANMA

⚠ UYARI: Bu cihazı kullanırken yaralanma riskini azaltmak için uygun şekilde giyinin. Bol giysiler giymeyin veya takı takmayın. Göz ve kulak/işitme koruması takın. Dayanıklı, uzun pantolon, eldiven ve bot giyin. Kısa pantolon, sandalet giymeyin veya çıplak ayakla çalışmayın.

KESMEYE HAZIRLIK:

1. Kesme bacağı için istenilen çalışma pozisyonuna ayarlanması.
2. Kesme bacağından bıçak kınına çıkarın.
3. Güvenli ve daha iyi çalışma için, omzunuza omuz askısını takın. Omuz askısını rahat bir çalışma konumuna ayarlayın. PH1400E sayılı kullanma kılavuzundaki **"OMUZ ASKISININ TAKILMASI"** bölümündeki talimatlara uyarak omuz askısını elektrikli alet başlığına takın.

⚠ UYARI: Omuz askısı ayrıca tehlikeli durumlarda hızla çıkarılabilen bir mekanizmadır. Acil bir durumda, askı hangi şekilde takılı olursa olsun derhal omuzunuzdan çıkarın.

ÇALIŞMA TEKNİKLERİ

- **Yatay Kesme (belli bir açıda kesme bacağı ile):** Ayakta dururken yere yakın kesin, ör. alçak çalılar.
Çit boyunca bacağı yukarı ve aşağı savurun - kesme bıçaklarının her iki tarafını da kullanın, kesme bacağına yere koymayın (Şek. H).
- **Yatay Kesme (düz kesme bacağı ile):**
Uzatmalı çit budama makinesini yatay olarak savururken kesme bacağına 0 ° ila 10 °'lik bir açıyla tutun. Kesme bacağına bir yay şeklinde çitin dış kısımlarına doğru kesilen parçalar yere süpürülecek şekilde savurun (Şek. I J ve K).
Öneri: Bu çalışma pozisyonunda sadece göğüs yüksekliğinden daha yüksek olmayan çitlerin budayın.
- **Dikey Kesme (belli bir açıda kesme bacağı ile):**
Doğrudan çitin yanında durmadan kesin, örneğin operatör ve çit arasındaki çitk başlığında.
Uzatmalı çit budama makinesini daha iyi kontrol edebilmemiz için bu kesme pozisyonunda çit budama aletini elektrikli alet başlığına bağlamanız tavsiye edilir (bkz. Şek. E).
Çit boyunca bacağı bir yay şekline yukarı ve aşağı savurun - kesme bacağı için her iki tarafını da kullanın (Şek. L).
- **Dikey Kesme (düz kesme bacağı ile):** Başka yardıma ihtiyaç duymadan ekstra yükseğe ulaşma imkanı.

Çit boyunca bacağı bir yay şekline yukarı ve aşağı savurun - kesme bacağı için her iki tarafını da kullanın (Şek. M).

- **Baş Yüksekliği Üzerinde Kesme (belli bir açıda kesme bacağı ile)**

Çit budama makinesini dikey halde tutun ve ulaşacağı mesafeden en iyi şekilde faydalanmak için yay şeklinde savurun (Şek. N). Aşırı yüksek çit için, uzatma sapı budama işinde yardımcı olmak için uygundur.

⚠ UYARI: Baş yüksekliği üzerindeki herhangi çalışma pozisyonu yorucudur. Kaza riskini en aza indirmek için, sadece kısa bir süre bu tür pozisyonlarda çalışılmalıdır. Aletin yeterli erişim sağlayacak daha az yorucu bir konumda (omuz askısı ile) daha aşağıda tutulabilmesi için ayarlanabilir kesme bacağı için açısını maksimum olarak ayarlayın.

ÇİHAZI ÇALIŞTIRMA/DURDURMA

Elektrikli alet başlığı PH1400E'nin kullanım kılavuzundaki **"ELEKTRİKLİ ALET BAŞLIĞINI ÇALIŞTIRMA/DURDURMA"** bölümüne bakın.

BAKIM

⚠ UYARI: Cihazın kontrol, temizlik veya bakımından önce motoru durdurun ve tüm hareketli parçaların durmasını bekleyin, ardından pil takımını çıkarın. Bu talimatlara uyulmaması ciddi kişisel yaralanmalara veya maddi hasara yol açabilir.

⚠ UYARI: Bakım yaparken sadece aynı olan yedek parçaları kullanın. Başka parçaların kullanılması tehlikeli olabilir veya üründe hasara sebep olabilir. Emniyet ve güvenilirliği sağlamak için tüm tamir işleri uzman bir servis teknisyeni tarafından yapılmalıdır.

GENEL BAKIM

Plastik parçaları temizlerken çözücü maddeler kullanmaktan kaçının. Çoğu plastik malzeme çeşitli ticari çözücü türlerinden etkilenmeye yatkındır ve kullanılmaları durumunda zarar görebilir. Kir, toz, yağ, gres, vb. gidermek için temiz bez kullanın.

ÇİHAZIN TEMİZLENMESİ

- Yumuşak bir fırça kullanarak tüm hava girişlerindeki ve kesme bıçaklarındaki artıkları temizleyin.
- Zift ve diğer yapışkan artıkları çıkarmak için, bıçaklara reçineli solvent püskürtün. Motoru yavaşça çalıştırın, böylece solvent eşit olarak dağılmış olur.

- Plastik gövde veya tutma sapı üzerinde güçlü deterjanlar kullanmayın. Çam ve limon gibi belirli aromatik yağlar ve kerosen gibi çözücü maddeler bu yüzeylere zarar verebilir. Nem nedeniyle elektrik çarpması tehlikesi oluşabilir. Yumuşak kuru bir bezle nemli yerleri silin. Aleti temizlemek için asla su kullanmayın.

KESME BIÇAĞININ BİLENMESİ

Kesme performansı ve davranış bozulmaya başladığında, örneğin bıçaklar sık sık dallar üzerine dolandığında: Kesme bıcağını bileyin.

Kesme bıçaklarının uzman bir servis teknisyeni tarafından bilenmesi tavsiye edilir.

⚠ DİKKAT: Çit budama makinenizi kör veya hasar görmüş kesme bıçakları ile kullanmayın. Bu aşırı yüklenmeye sebep olabilir ve tatmin edici olmayan kesme sonuçları elde edilebilir.

BIÇAĞIN YAĞLANMASI

Pası önlemek için bıçakları uzun süre için saklandıkları zaman anti-pas yağ ile yağlanmalarını tavsiye edilir.

⚠ UYARI: Bıçaklar keskindir. Bıçak aksamı ile uğraşırken kaymaz, ağır hizmet tipi koruyucu eldiven giyin. Ellerinizi veya parmaklarınızı bıçakların arasında veya sıkışabilecekleri ya da kesilebilecekleri herhangi bir yere koymayın. ASLA bıçaklara dokunmayın ya da akü takılı iken üniteye bakım yapmayın.

TRANSMİSYON DİŞLİLERİNİN YAĞLANMASI

Dişli kutusundaki transmisyon dişlileri periyodik olarak dişli gresi ile yağlanmalıdır. Dişli kutusunun gres seviyesini her 50 saatlik çalışmada dişli kutusundaki sızdırmazlık vidasını sökerek kontrol edin. Biri yanda ikisi üstte olmak üzere üç sızdırmazlık vidası bulunur.

Dişli kenarlarında hiçbir gres görülemezse, aşağıdaki adımları izleyerek dişliye 3/4 kapasiteye kadar gres basın.

Transmisyon dişlilerini tamamen doldurmayın.

1. Hangi vidayı çıkaracağınıza bağlı olarak, uzatmalı çit budama makinesini yan veya çıkarılacak sızdırmazlık vidası yukarı bakacak şekilde sırt üstü yatırın (Şek. O ve P).
2. Verilen anahtar kullanarak sızdırmazlık vidasını gevşetin ve çıkarın.
3. Vida deliğine biraz gres enjekte etmek için bir gres şırıngası (dahil değildir) kullanın; 3/4'lük kapasiteyi aşmayın.
4. Enjeksiyondan sonra sızdırmazlık vidasını sıkın.

CİHAZIN SAKLANMASI

- Aküyü aletten çıkarın.
- Cihazı saklamadan önce tamamen temizleyin.
- Depolama veya taşıma öncesinde kesme bıcağı üzerine bıçak kınını takın. Bıçakların keskin dişlerine karşı dikkatli olun.
- Çit budama aleti elektrikli alet başlığından çıkarılmışsa ve ayrı olarak saklanırsa, uç kapağını aksesuar şaftına takarak kaplora kir girmesini önleyin.
- Cihazı çocukların ulaşamayacağı kuru, iyi havalandırılmış, kilitli veya yüksek bir yerde muhafaza edin. Cihazı gübre, benzin veya diğer kimyasal maddelerin yakınına saklamayın.

Çevre koruması



Elektrikli cihazları, pil şarj cihazını ve pilleri/şarj edilebilir pilleri evsel atıklarla birlikte atmayın!

AB Yasası 2012/19/EU uyarınca, kullanılamaz durumdaki elektrikli ve elektronik cihazlar ve AB Yasası 2006/66/EC uyarınca, arızalı veya kullanılmış pil paketleri/piller ayrı olarak toplanmalıdır.

Elektrikli cihazlar katı atık sahaları veya çöp toplama alanlarına atılırsa, yer altı sularına ve besin zincirine tehlikeli maddeler sızabilir, bu da sağlığınızın bozulmasına yol açabilir.

SORUN GİDERME

SORUN	NEDENİ	ÇÖZÜM
Uzatmalı çit budama aksesuarı çalışmıyor.	<ul style="list-style-type: none"> ■ Akü uzatmalı çit budama makinesine takılı değil. ■ Çit budama makinesi ve akü arasında elektrik bağlantısı yok. ■ Pil paketi boş. ■ Tetik düğmesine basmadan önce kilitleme düğmesine basılmamış. ■ Akü veya elektrikli alet başlığı çok sıcak. ■ Bıçak sıkışmış. ■ Uzatmalı çit budama makinesi elektrikli alet başlığına iyi bağlanmamış 	<ul style="list-style-type: none"> ■ Aküyü uzatmalı çit budama makinesine takın. ■ Pili çıkarın, temas noktalarını kontrol edin ve pil paketini yeniden takın. ■ Aküyü şarj edin. ■ Kilitleme koluna basın ve basılı tutun, ardından aleti çalıştırmak için tekrar tetiğe basın. ■ Pil paketi veya elektrikli alet başlığı sıcaklığının 67°C'nin altına düşmesini ve soğumasını bekleyin. ■ Aküyü aletten çıkarın. Engeli dikkatle çıkarın ve pili tekrar geri takarak aleti yeniden başlatın. ■ Uzatmalı çit budama makinesini elektrikli alet başlığından çıkarın. PH1200E kullanıcı kılavuzundaki "ELEKTRİKLİ ALET BAŞLIĞINA BİR AKSESUAR TAKMA" bölümüne göre bunları tekrar takın.
Aşırı titreşim veya gürültü.	<ul style="list-style-type: none"> ■ Kuru veya paslı bıçaklar. ■ Bıçaklar veya bıçak desteği eğilmiş. ■ Eğik veya hasarlı dişler. ■ Gevşek bıçak civataları. 	<ul style="list-style-type: none"> ■ Bıçağı yağlayın. ■ Yeni bir bıçakla veya destekle değiştirin. Bıçak veya destek değiştirme için EGO servis merkeziyle irtibata geçin ■ Yeni bir bıçakla veya destekle değiştirin. Bıçak veya destek değiştirme için EGO servis merkeziyle irtibata geçin ■ Bıçak civatalarını sıkın. lik bir anahtar (dahil değildir) kullanarak, civatayı saat yönünde çevirerek sıkın.

GARANTİ

EGO GARANTİ POLİTİKASI

EGO Garanti politikasına ilişkin tüm hüküm ve koşullar için, lütfen egopowerplus.com adresindeki web sitemizi ziyaret edin.

TR

LUGEGE KÕIKI JUHISEID!



LUGEGE KASUTUSJUHENDIT

⚠️ Kaasnev risk! Inimesed, kes kasutavad elektroonilisi seadmeid, nt südamestimulaatorit, peaksid enne selle toote kasutamist konsulteerima oma arstiga. Elektriseadmete kasutamine südamestimulaatori läheduses võib põhjustada südamestimulaatori häireid või rikkeid.

⚠️ HOIATUS: Ohutuse ja töökindluse tagamiseks tohivad seda seadet remontida ainult vastava kvalifikatsiooniga hooldustehnikud.

OHUTUSSÜMBOLID

Ohutussümbolite eesmärk on tõmmata teie tähelepanu võimalikele ohtudele. Ohutussümbolitele ja nende juures olevatele seletustele tuleb korralikult tähelepanu pöörata ja need endale selgeks teha. Ohutussümbolid iseenesest ei kõrvalda ohu olemasolu. Nendega kaasnevad juhendid ja hoiatused ei asenda korralikke õnnetuste vältimise meetmeid.

⚠️ HOIATUS: Enne käesoleva seadme kasutamist lugege kindlasti läbi ja tehke endale selgeks kõik Kasutusjuhendis toodud ohutussümbolid, sh kõik ohutussümbolid nagu „OHT”, „HOIATUS”, ja „ETTEVAATUST”. Kui te ei järgi kõiki allpool toodud juhiseid, võib tekkida elektrilöögi, tulekahju ja/või raske kehavigastuse oht.

SÜMBOLITE TÄHENDUSED

⚠️ TURVATEATE SÜMBOL Tähistusega **OHT**, **HOIATUS**, või **ETTEVAATUST**. Võidakse kasutada koos teiste sümbolite või piktograafidega.



⚠️ HOIATUS: Mis tahes elektriliste tööriistade kasutamine võib põhjustada võõrkehade paiskumist silma, mis võib põhjustada tõsisid silmakahjustusi. Kandke elektriliste tööriistade kasutamise ajal alati külgkaitsetega kaitseprille ja vajadusel täielikku näokaitset. Soovitame kanda prillide peal laia vaatealaga kaitsemaski või tavalisi külgkaitsetega kaitseprille.

ET

OHUTUSJUHISED

Sel lehel on kujutatud ja kirjeldatud ohutusesümboliteid, mida võib käesolevalt tootelt leida. Enne, kui üritate masinat kokku panna ja kasutada, lugege, tehke omale selgeks ja järgige kõiki juhiseid.

	Ohut-ust-eade	Viitab kehavigastuste ohule.
	Lugege kasutusjuhendit	Vigastuste ohu vähendamiseks peab kasutaja enne toote kasutamist lugema kasutusjuhendit ja selle endale selgeks tegema.
	Kandke kaitseprille	Kandke selle toote kasutamise ajal alati kaitseprille või külgkaitsetega kaitseprille ja täielikku näokaitset.
	Kandke tugevat peakatet	Pea kaitsmiseks kandke nõuetekohast tugevast materjalist peakatet.
	Kasutage kuulmiskaitsevahendeid	Kasutage seadmega töötades alati kuulmiskaitset
	Tera pikkus	Tera pikkus
	Lõikamine võimsus	Tera maksimaalne lõikamisjõudlus
	Hoidke käed ja jalad lõikurist eemal	Ärge püüdke kunagi oma seadet ühe käega kasutada. Seadme üle kontrolli kaotamine võib kaasa tuua tõsise või eluohtliku vigastuse. Lõikevigastuste riski vähendamiseks hoidke käsi ja jalgu lõiketerast eemal. Ärge puudutage liikuvat lõiketera kunagi oma käega või mõne muu kehaosaga.
	Ärge laske kellelgi töö ajal enda lähedal seista	Trimmeriga töötamise ajal ei tohi 15m raadiuses olla loomi ega teisi inimesi,

	Vältige seadme kokkupuudet vihmaga	Ärge kasutage seadet vihmajärgu ajal ja ärge jätke seadet vihma kätte.
IPX4	JP-sümbol	4. astme kaitse vee sissepääsu vastu
	CE	Toode vastab rakendatavatele EÜ direktiividele.
	WEEE	Elektriseadmete jäätmeid ei tohi visata olmejäät-metesse. Viige heaks kiidetud taaskä-itleja juurde.
	Müra	Tagatud helivõimsuse tase. Müraemissioon keskkonda vastavalt Euroopa Ühenduse direktiividele.
V	volti	Pinge
mm	Millimeeter	Pikkus või suurus
cm	Sentimeeter	Pikkus või suurus
kg	Kilogramm	Kaal

OLULISED OHUTUSJUHISED

⚠ HOIATUS! Elektriliste aiaseadmete kasutamisel tuleb alati järgida järgnevaid elementaarseid ohutusnõudeid. Sedasi väldite tulekahju, elektrilöögi ja vigastuste ohtu.

ENNE KASUTAMIST LUGEGE TÄHELEPANELIKULT

HOIDKE ALLES

⚠ OHT! Ärge kasutage elektriliinide läheduses. See seade ei ole loodud elektrilöögi eest kaitset pakkuma elektri-õhuliinidega kokkupuute korral. Tutvuge kohalike regulatsioonidega elektri-õhuliinide turvalise kauguse kohta ja veenduge enne tööriista kasutamist, et tööpaik on ohutu ja turvaline.

HEKITRIMMERI TURVAHOIATUSED

⚠ OHT! Hoidke käed terast eemal. Kontakt teraga tekitab tõsise isikukahju.

- Vältige kehaosade kokkupuudet lõikuri teraga. Ärge eemaldage lõigatud tükke ega hoidke

lõigatavat objekti, kui terad liiguvad. Enne kinni jäänud tükide eemaldamist veenduge, et lülititi on mitteaktiivses asendis. Isegi hetkeline tähelepanematus hekitrimmeri kasutamise ajal, võib põhjustada tõsiseid vigastusi.

- Kindlaksmääratud transpordiasendiga (lõiketera pööratud lamedalt vastu hekitrimmeri vart) masinate puhul: Ärge käivitage masinat kunagi transpordiasendis, kuna selles asendis ei ole terad seotud ning seega ei saa te visuaalselt kontrollida seda, kas need peatuvad tühikäigul, kui hakkate lõiketera soovitud lõikeasendisse seadma (kui terad on seotud).
- Hekitrimmerit käepidemest hoides teise kohta kandes peab lõikuri tera peatatud olema. Hekitrimmeri transportimisel või hoiustamisel paigaldage lõikeseadmele alati kate. Hekitrimmeri korrektne käsitsemine vähendab lõiketerade tekitatavate vigastuste ohtu.
- Hekitrimmerit kandes või kätte võttes ärge hoidke kinni lõiketeradest.
- Hoidke tööriista ainult isoleeritud kinnihoidmiskohtadest, sest lõiketera võib puutuda kokku peidetud juhtmetega. Kui lõiketerad puutuvad kokku voolu all olevate juhtmetega, võib elekter levida tööriista katmata metallosadele ja anda kasutajale elektrilöögi.
- Vältige juhtmete sattumist lõiketerade tööpiirkonda. Töö ajal võib juhe olla põõsaokste varjus ning te võite selle kogemata maha lõigata.
- Enne töö alustamist veenduge, et hekis pole võõrkehi (nt võrkaia tükke).
- Kontrolli kaotamisest tingitud vigastuste riski vähendamiseks veenduge täielikult, et tera oleks teist ning kõigist teistest takistustest ja esemetest eemal, sealhulgas ka maapinnast, kuna tööriista käivitamisel on mootori kiirus piisav selleks, et tööriista tera siduda ning liigutada.
- Ärge lubage teisi inimesi üldisesse tööpiirkonda. Trimmeriga töötamise ajal ei tohi 15m raadiuses olla loomi ega teisi inimesi,
- Ärge lubage mitte kunagi lastel hekitrimmerit käsitseda.
- Hekitrimmeriga töötades kasutage mõlemat kätt! Ainult ühe käe kasutamisel võite kaotada seadme üle kontrolli ja saada raskeid vigastusi.
- Ärge küünitage liiga kaugelt. Töötage ainult kindlal maapinnal ja kohtades, kus pole ohtu tasakaalu kaotada. Libedates oludes (märg maapind, lumi) ja raskel, ülekasvanud maastikul tuleb eriti hoolikas olla. Olge tähelepanelik peidetud takistuste, nagu

ET

näiteks puukännud, juured ja kraavid, suhtes, et mitte kukkuda. Olge kallakutel või ebatasasel pinnal töötades eriti ettevaatlikud.

- **Ärge kasutage seadet seistes redelil, katusel, puu otsas või muudes ebatavalistes kohtades.** Stabiilne jalgealune kindlal maapinnal tagab ootamatutes olukordades parema kontrolli hekitrimmeri üle.
- **Hoidke lõiketeradel pidevalt silm peal – ärge lõigake ühtegi heki osa, mida te ei näe. Pikema heki ülemist pinda lõigates kontrollige sageli seda, et heki teisel pool ei oleks kõrvalseisjaid, loomi ega takistusi.**
- Enne töö jätkamist kontrollige kahjustatud osade seisukorda. Kontrollige, kas liukuvad komponendid on korrektselt joondatud ja ega ükski osa paindunud pole ning jälgige ka muid aspekte, mis võiksid seadme omadusi mõjutada.
- Kontrollige tihti, kas tera ja mootori paigalduspoldid on piisavalt tugevalt kinni. Samuti kontrollige visuaalselt, kas tera on kahjustusteta (paindumata ning möradeta ja kulumistunnusteta) Vahetage lõiketera ainult EGO™ toodetud tera vastu.
- Paindunud või möranenud tera tuleb välja vahetada. Tasakaalustamata tera põhjustab vibratsiooni, mis võib kahjustada mootori ajamit või põhjustada kehavigastusi.
- Kui seade peaks ebanormaalselt vibreerima hakkama, peatage mootor ja otsige koheselt vibreerimise põhjust. Vibratsioon hoiatab tavaliselt ohu eest.
- Trimmeriga tohib lõigata tüvesid, mille paksus on väiksem kui 26mm.
- Kasutage trimmerit ainult päevasel ajal või hea kunstliku valgustusega.
- Ärge kasutage aku jõul töötavat hekitrimmerit vihma käes.

LISAHOIATUSED

- **Ärge laadige akuplokki niisketes ega märgades tingimustes.**
- **Kasutage ainult joonisel A esitatud akuplokke ja laadijaid.**
- Akuplokk tuleb seadmelt enne selle tööea lõppu eemaldada.
- Aku käitlemisel tuleb järgida ohutusreegleid.
- **Ärge hävitage akusid põletamise teel.** Need võivad plahvatada. Tutvuge kohalike eeskirjadega, et leida võimalikke erijuhiseid akude ja patareide kõrvaldamiseks.

- **Ärge avage ega lõhkuge akut.** Välvjuv elektrolüüt on korrodeeriv ning võib silmi ja nahka vigastada. Allaneelamisel võib see mürgine olla.

⚠ ETTEVAATUST! Elektrolüüt on lahjendatud väävelhape, mis on nahale ja silmadele kahjulik. See on elektrit juhtiv ja korrodeeriv.

- **Akude käsitlemisel olge hoolikas ja jälgige, et te ei lühista akut elektrit juhtivate esemete (nt sõrmuste, käevõrude, võtmete) abil.** Aku või elektrit juhtiv ese võib üle kuumeneda ja põhjustada põletushaavu.
- **Akuga töötavaid tööriistu pole vaja vooluvõrku ühendada, seega on nad alati töörežiimis.** Olge teadlik võimalikest ohtudest ka ajal, mil tööriist pole sisse lüüritatud. Seadme hooldamise või remontimise ajal olge ettevaatlik.
- **Enne tööriista hooldamist, puhastamist või võrkehade eemaldamist võtke akuplokk seadme küljest ära.**
- **Varuosad** - Remondiks võib kasutada ainult identseid EGO originaalvaruosi. Ükskõik missuguse muu tarviku või lisakomponendi kasutamine suurendab vigastuste tekkimise ohtu.
- **Laske oma akutööriista hooldada kvalifitseeritud remonditehnikul, kes kasutab ainult identseid originaalvaruosi.** See tagab akuploki ohutuse säilimise.
- **Ärge puhastage voolikuga, vältige vee sattumist mootorisse ja elektriühenduste peale.**
- **Hoiustage tööriista kuivas ja kõrgel paiknevas või lukustatud kohas, kuhu lapsed ligi ei pääse.**
- **Kui esineb olukordi, mida pole käesolevas juhendis kirjeldatud käituge hoolsalt ja lähtuge tervest mõistusest. Küsige abi EGO hoolduskeskusest.**
- **Hoidke see kasutusjuhend alles.** Lugege seda sageli ning kasutage seda, et seadet kasutavaid isikuid välja õpetada. Kui te seadet kellelegi laenate, andke sellega kaasa ka käesolev kasutusjuhend, et vältida seadme väärkasutamist ja võimalikke vigastusi.

HOIDKE SEE KASUTUSJUHEND ALLES

MÄRKUS: TÄPSED OHUTUSREEGLID ON TEIE TOITEPEA KASUTUSJUHENDIS.

SPETSIFIKATSIOONID

Tera pikkus	51 cm	
Lõikejõudlus	26 mm	
Mass (ilma akuplokita)	2,20 kg	
Soovituslik töökeskkonna temperatuur	0°C-40°C	
Soovituslik hoistamise temperatuur	-20°C-70°C	
Mõõdetud helirõhk L_{WA}	92,3 dB(A) K=2,72 dB(A)	
Helirõhk seadme operaatori kõrva juures L_{PA}	80,4 dB(A) K=3 dB(A)	
Garanteeritud helirõhu tase L_{WA} (vastavalt 2000/14/EC)	95 dB(A)	
Vibratsioon a_n	Eesmine abikäepide	4,9 m/s ² K=1,5 m/s ²
	Tagumine käepide	6,7 m/s ² K=1,5 m/s ²

- Ülalmainitud näitajaid on testitud ja mõõdetud, kasutades toitepead PH1400E.
- Ametlik vibratsioonitaseme näit on mõõdetud standardsete testmeetodite kohaselt ja seda võidakse kasutada erinevate tööriistade võrdlemiseks.
- Ametlikku vibratsioonitaseme näitu võib kasutada ka algse kokkupuutehinnangu andmiseks.

MÄRKUS: Tegelikul kasutamisel tekivad vibratsioonitase või ametlikult märgitud erinevad; turvalisuse eesmärgil peaks seadme kasutaja kandma kindaid ja kuulmiskaitseid.

PAKENDI LOEND

OSA NIMI	KOGUS
Pikendusvarrega hekitrimmeri tarvik	1
Mutrivõti	1
Terakate	1
Kasutusjuhend	1

KIRJELDUS

TUNNE OMA PIKENDUSVARREGA HEKITRIMMERI TARVIKUT (Joonis A)

1. Lõiketera
2. Sektor
3. Päästik
4. Pikendusvarrega hekitrimmeri vars
5. Pehme muhv
6. Otsakork
7. Reguleerimiskang
8. Hammasrataste ümbris
9. Mutrivõti
10. Terakate
11. Tipukaitse (Valikuline, MÜÜAKSE ERALDI)

KOKKUPANEK

⚠ HOIATUS: Kui mõni osa on kahjustatud või puudub, ärge kasutage seadet enne, kui see osa on parandatud. Kasutades kahjustatud või vajalike komponentideta seadet, võite saada raskeid vigastusi.

⚠ HOIATUS: Ärge üritage seadet ümber ehitada ega kasutada lisaseadmeid, mis pole mõeldud kasutamiseks selle saega. Kõik niisugused muudatused loetakse väärkasutuseks ja need võivad põhjustada ohtlikke olukordi, mis lõppevad raskete vigastustega.

⚠ HOIATUS: Ärge kunagi paigaldage või reguleerige ühtegi tarvikut, kui mootor töötab või aku on paigaldatud. Mootori peatamata jätmine või aku eemaldamata jätmine võib põhjustada raskeid vigastusi.

LÕIKETERA SEADISTAMINE

Pikendusvarrega hekitrimmeri pakist välja võtmisel on see volditud kokku hoistamisasendisse, mille korral on lõiketera pööratud vastu vart (Joonis B). Soovitav on lõiketera sobivasse tööasendisse seada enne selle toitepea külge kinnitamist.

Võimalikke tööasendeid on Lõiketera nurka saab seadistada ülespoole 5 etapis alates 0° (sirge) kuni 45°, kaasa arvatud 0°, ning allapoole 7 etapis alates 0° kuni 90° (täisnurk alla suunas) (Joonis C), mitte 0°.

1. Vajutage alla seadistuskangil olev päästik ning samal ajal pöörake seadistuskangi, et lõiketera soovitud lõikeasendisse seada (Joonis D).
2. Soovitud asendi saavutamisel laske päästik lahti. Kuuldav klõpsatus annab märku, et lukustuskaamber on sektorisse sisestatud ning paika lukustunud (Joonis D).

ET

Joonise D osade kirjeldus:

D-1	Sektor
D-2	Lukustusklamber

⚠ HOIATUS: Vigastuste riski vähendamiseks teostage seadistusi ainult siis, kui lõiketerad on seisatud. Ärge puudutage kunagi seadistuste tegemisel terasid.

⚠ HOIATUS: Vigastuste riski vähendamiseks seisake alati tööriist ning asetage paika terakate enne, kui liigutate lõiketera hoiuasendisse või hoiuasendist tavapärasesse tööasendisse.

PIKENDUSVARREGA HEKITRIMMERI TARVIKU ÜHENDAMINE TOITEPEAGA/EEMALDAMINE TOITEPEA KÜLJEST

See pikendusvarrega hekitrimmeri tarvik on mõeldud kasutamiseks koos EGO 56-VOLDISE LIITUM-IOONAKU toitepeaga PH1400E. Lisaks ülemisele lõikeasendile, on pikendusvarrega hekitrimmeri varrel ka külglõikuse asend toitepeaga ühendamiseks (Joonis E). Detailsed töötehnikad leiate käesoleva kasutusjuhendi **TÖÖTEHNIKATE** peatükist.

Joonise E osade kirjeldus:

E-1	Ülemine lõikeasend
E-2	Külgmise lõikeasend

Pikendusvarrega hekitrimmeri toitepea ühendamist vaata PH1400E kasutusjuhendi peatükist „**PIKENDUSVARREGA HEKITRIMMERI TARVIKU ÜHENDAMINE TOITEPEAGA**“.

Pikendusvarrega hekitrimmeri toitepea eemaldamist vaata PH1400E kasutusjuhendi peatükist „**PIKENDUSVARREGA HEKITRIMMERI TARVIKU EEMALDAMINE TOITEPEA KÜLJEST**“.

TIPUKAITSE PAIDALDAMINE (Valikuline)

1. Lõiketera otsas olevate ühikese poldi, seibi, tihendi ja mutri eemaldamiseks kasutage kuuskantvõtit (Joonis F). Hoidke seib, tihend ja mutter seadme uuesti kokku panemiseks alles.

Joonise F osade kirjeldus:

F-1	Mutter	F-3	Seib
F-2	Tihend	F-4	Lühike polt

2. Joondage tipukaitse lõiketeral oleva kühmuga ning asetage see paika. Kinnitage see uue pika poldi ja mutriga ning alles jäetud seibi, tihendi ja mutriga (Joonis G).

Joonise G osade kirjeldus:

G-1	Mutter	G-4	Tihend
G-2	Tipukaitse	G-5	Seib
G-3	Mutter	G-6	Pikk polt

KASUTAMINE

⚠ OHT: Ärge kunagi lõigake elektriliinide, elektrijuhtmete või muude elektriallikate läheduses. Kui tera vahele jääb elektrijuhe või -traat, **ÄRGE PUUDUTAGE TERA EGA ALUMIINIUMIST VART! NEED VÕIVAD OLLA VOOLU ALL JA VÄGA OHTLIKUD.** Hoidke pikendusvarrega trimmerit endiselt isoleeritud käepidemest või pange see maha ja nihutage ohutul viisil endast eemale. Enne kui üritate tera juhtmest või traadist vabastada, lülitage kahjustatud juhtmest või traadist elekter välja. Kokkupuude lõiketeraga või muude pikendusvarrega hekitrimmeri elektrit juhtivate osadega või voolu all olevate juhtmete või traatidega võib põhjustada elektrilöögi läbi surma või raskeid vigastusi.

⚠ HOIATUS: Ärge muutuge toodet tundma õppides hooletuks. Pidage meeles, et raskeid vigastusi põhjustavaks õnnetuseks piisab ka sekundi mürdosa pikkusest tähelepanematuses.

⚠ HOIATUS: Kandke alati küljekaitse turvaprilile. Vastasel korral võib teile midagi silma lennata ja võite saada ka muud laadi raskeid vigastusi.

Enne igakordset kasutamist kontrollige, et seadmel poleks kahjustatud, puuduvalid ega lahtised detaile, kruvisid, mutreid, polte jm. Tugevdage kõik kinnitused ja ärge kasutage seadet kuni kõik puuduvad või kahjustatud osad on asendatud.

⚠ HOIATUS: Raskete vigastuste vältimiseks eemaldage alati aku, enne kui asute seadet remontima, puhastama, tarvikuid vahetama või kinni jäänud objekte eemaldama.

Puhastage seadet pärast iga kasutuskorda

Puhastamisjuhiseid vaadake osast HOOLDUS.

RAKENDUSED

Seda toodet võib kasutada niisuguste hekkide, põõsaste, võsade ja sarnaste materjalide pügamiseks mille okste diameeter on väiksem kui 26 mm.

MÄRKUS: Seadet tohib kasutada vaid käesolevas juhendis lubatud eesmärgil. Igasugust muud kasutust loetakse väärkasutuseks.

TOITEPEAGA PIKENDUSVARREGA HEKITRIMMERI KASUTAMINE

⚠ HOIATUS: Kandke sobivat riietust, et vältida trimmeri kasutamise käigus vigastuste teket. Ärge kandke ehteid ega avaraid riideid. Kandke nägemis- ja kuulmiskaitsevahendeid. Kandke tugevast materjalist pikki pükse, saapaid ja kindaid. Ärge kandke trimmeriga töötades lühikesi pükse või sandaale ja ärge töötage paljajalu.

LÕIKAMISEKS ETTE VALMISTUMINE:

1. Lõiketera seadistamine soovitud tööasendisse.
2. Eemaldage lõiketeralt must terakate.
3. Turvalisema ja parema kasutamise jaoks pange õlarihm üle õla. Kohandage õlarihma nii, et teil on mugav töötada. Õlarihma toitepea külge kinnitamiseks järgige juhiseid, mis on toodud PH1400E kasutusjuhendi peatükis **ÕLARIHMA PAIGALDAMINE**.

⚠ HOIATUS: Õlarihmil on ka mehhanism kiireks rihma avamiseks ohtlikes olukordades. Ohtlikus olukorras võtke see kohe ära olenemata rihma asendist.

TÖÖTEHNIKAD

- **Horizontaalne lõikamine (lõiketera nurga all):** Maapinna lähedalt lõikamine seisvas asendis, näiteks madalate pöösaste puhul.

Kiigutage lõiketera mööda hekki liikudes paremale ja vasakule ning kergelt üles ja alla - kasutage lõiketerade mõlemat poolt, ärge toetage lõiketera maapinnale (Joonis H).

- **Horizontaalne lõikamine (lõiketera sirgelt):**

Hoidke lõiketera 0° kuni 10° nurga all, samal ajal hekitrimmerit horisontaalselt kõigutades. Kiigutage lõiketera kaarjalt heki servade suunas, et maha lõigatud materjali maha pühkida (Joonis I J & K).

Soovitus: Selles tööasendis püüage ainult selliseid hekke, mis pole rinnakõrgusest kõrgemad.

- **Vertikaalne lõikamine (lõiketera nurga all):**

Lõigake ilma otseselt heki kõrval seismata näiteks siis, kui kasutaja ja heki vahele jääb lillepeenar.

Selleks, et selles lõikeasendis paremini hekilõikurit kontrollida, soovime ühendada hekilõikuri toitepeaga külglõikuse asendis (vaata Joonis E).

Kiigutage lõiketera mööda hekki edasi liikudes kaarjalt paremale ja vasakule ning kergelt üles ja alla - kasutage lõiketera mõlemat külge (Joonis L).

- **Vertikaalne lõikamine (lõiketera sirgelt):**

Eriti kaugele ulatumine ilma lisaabivahenditeta.

Kiigutage lõiketera mööda hekki edasi liikudes kaarjalt paremale ja vasakule ning kergelt üles ja alla - kasutage lõiketera mõlemat külge (Joonis M).

- **Ülepea lõikamine (lõiketera nurga all):**

Hoidke hekitrimmerit vertikaalselt ning kõigutage seda kaarjalt, et trimmeri ulatust maksimaalselt ära kasutada (Joonis N). Väga kõrge heki puhul on pikendatav vars sobivaks hekilõikamise abivahendiks.

⚠ HOIATUS: Mis tahes ülepea tööasend on väsitav. Õnnetuste riski vähendamiseks töötage sellistes asendites vaid lühikest aega. Seadistage lõiketera nurk maksimaalseks, et tööriista oleks võimalik hoida madalamal, vähem väsitavas asendis (õlarihmaga), säilitades samas vajaliku ulatuse.

TÖÖRIISTA KÄIVITAMINE/PEATAMINE

Vaadake toitepea PH1400E kasutusjuhendi osa „**TOITEPEA KÄIVITAMINE/PEATAMINE**“.

HOOLDUS

⚠ HOIATUS: enne seadme kontrolli, puhastamist või hooldust tuleb mootor peatada ja oodata kõigi liikuvate osade peatumist ja eemaldada akupakk. Juhiste mittejärgimine võib põhjustada tõsise vigastuse või varalise kahju.

⚠ HOIATUS: Remontimisel kasutage vaid originaalvaruosi. Mis tahes muude osade kasutamine võib põhjustada ohtlikke olukordi või seadet kahjustada. Ohutuse ja töökindluse tagamiseks tohivad seda seadet remontida ainult vastava kvalifikatsiooniga hooldustehnikud.

ÜLDINE HOOLDUS

Vältige plastosade puhastamisel lahustite kasutamist. Enamik plastmasse on kaubanduslike lahustite suhtes tundlikud ja võivad nende kasutamisel kahjustada saada. Kasutage mustuse, tolm, õli, rasva jm eemaldamiseks puhast lappi.

SEADME PUHASTAMINE

- Õhu sissevõtuavadelt ja lõiketeralt mustuse eemaldamiseks kasutage pehmet harja.
- Vaigu ja muude kleepuvate ainete eemaldamiseks pihustage terale vaigu lahustit. Käivitage mootor hetkeks, et lahusti ühtlaselt laiali laotuks
- Ärge kasutage plastmasskomponentide või käepidemete puhastamiseks tugevatoimelisi puhastusaineid. Seadme osi võivad kahjustada teatud aroomaatsed õlid (nt männi- või sidruniõli) ja teatud ained (nt petrooleum). Niiskus võib tekitada elektrilöögi ohu. Eemaldage niiskus pehme kuiva lapiga. Ärge kasutage seadme puhastamiseks kunagi vett.

LÕIKETERA TERITAMINE

Lõikejõudluse ja –käitumise halvenemisel ehk juhul, kui terad jäävad okstesse sageli kinni: Teritage lõiketerasid. Soovitatav on lasta lõiketerasid teritada kvalifitseeritud hooldustehnikul.

ET

MÄRKUS: Ärge kasutage hekitrimmerit, mille lõiketerad on nürid või kahjustatud. See võib põhjustada ülekoormust ja mitterahuldavaid töötulemusi.

TERA MÄÄRIMINE

Roostetamise ennetamiseks on soovitatav terasid roostetamisvastase õliga määrida, kui seade pikaks ajaks seisma jääb.

⚠ HOIATUS: Terad on teravad. Terade käsitlemisel kandke tugevast mittelibisevast materjalist töökindaid. Ärge asetage oma käsi ega sõrmi terade vahele või muusse kohta, kus on oht, et need võivad kinni jääda või võidakse maha lõigata. Enne kui terasid puudutate või hooldate, tuleb ALATI akuplokk eemaldada.

LEKANDEHAMMASRATASTE MÄÄRIMINE

Ülekandehammasrattaid hammasrataste ümbrises peab määrima korrapäraselt hammasrataste määrdega. Kontrollige määrde taset hammasrataste ümbrises iga kord, kui olete 50 tundi toodet kasutanud, võttes ära tihenduskrui ühelt ümbrise küljelt. Tihenduskruid on kokku kolm – üks küljel ja kaks peal.

Kui määret ei ole hammasrataste hambavahedes näha, jälgige allolevaid juhiseid, et 3/4 mahust määrdega täita.

Ärge ülekandehammasrattaid määrdega täiesti täitke.

1. Olenevalt sellest, millist kruvi te eemaldate, hoidke pikendusvarrega hekitrimmerit küllili või asetage see pikali nii, et eemaldatav tihenduskrui jääks üles (Joonis O & P).
2. Kasutage kaasas olnud nutrivõtit, et tihenduskrui avada ja eemaldada.
3. Kasutage süstalt (ei ole kaasas), et natuke määret kruvi auku pritsida, ja jälgige, et te ei ületaks 3/4 mahust.
4. Keerake tihenduskrui peale pritsimist tugevalt kinni.

SEADME HOUSTAMINE

- Ühendage seadme akuplokk lahti.
- Enne tööriista hoiustamist puhastage see hoolikalt.
- Enne seadme hoiustamist või transportimist asetage lõiketerale terakate. Vältige ettevaatlikult tera teravaid hambaid.
- Kui eemaldate hekitrimmeri toitepea küljest ja hoiustate seda eraldi, paigaldage otsakork tarviku varre külge, et mustus ei pääseks ühendusdetaili.
- Hoidke tööriista kuivas ja kõrges lukustatud ning lastele ligipääsmatus kohas. Ärge hoidke seadet väetiste, bensiini või muude kemikaalide läheduses.

Keskonnakaitse



Ärge visake elektriseadmeid, akulaadijat ega patareid / akusid olmeprügi hulka! Vastavalt Euroopa Liidu eriaruandele nr 2012/19/EÜ tuleb elektri- ja elektronikaseadmed, mis pole enam kasutatavad, ning vastavalt direktiivile 2006/66/EÜ, ka defektsed või kasutatud akuplokkid / patareid, eraldi kokku koguda.

Kui elektriseadmed maetakse maa sisse või viiakse prügimäele, võivad ohtlikud ained põhjavette lekkida ja toiduahelasse sattuda ning kahjustada teie tervist ja heaolu.

TÖRKEOTSING

PROBLEEM	PÕHJUS	LAHENDUS
Pikendusvarrega hekitrimmer ei tööta.	<ul style="list-style-type: none"> ■ Akuplokk pole pikendusvarrega hekitrimmeriga ühendatud. ■ Hekitrimmeri ja aku vahel puudub elektriline ühendus. ■ Akuplokk on tühi. ■ Enne päästikule vajutamist ei vajutatud lukustusnuppu. ■ Akuplokk või toitepea on liiga kuum. ■ Tera on kinni jäänud. ■ Pikendusvarrega hekitrimmer pole toitepeaga korralikult ühendatud. 	<ul style="list-style-type: none"> ■ Kinnitage akuplokk pikendusvarrega hekitrimmeri külge. ■ Eemaldage aku, kontrollige ühendusi ja paigaldage akuplokk tagasi. ■ Laadige akuplokk. ■ Seadme sisse lülitamiseks vajutage lukustushooba ja hoidke seda all ning suruge päästik alla. ■ Jahutage akuplokki või toitepead, kuni temperatuur langeb alla 67 °C. ■ Ühendage seadme akuplokk lahti. Eemaldage takistus ettevaatlikult ning seejärel asetage aku tagasi ning taaskäivitage seade. ■ Ühendage pikendusvarrega hekitrimmer toitepea küljest lahti. Ühendage need uuesti vastavalt PH1400E kasutusjuhendi peatükile TARVIKU ÜHENDAMINE TOITEPEAGA.
Liigne vibratsioon või müra.	<ul style="list-style-type: none"> ■ Terad on määrimata või korrodeerunud. ■ Tera või tera tugi on paindunud. ■ Paindunud või kahjustunud lõikehambad. ■ Lahtised tera poldid. 	<ul style="list-style-type: none"> ■ Määrige terasid. ■ Vahetage tera või tugi. Tera või toe vahetamiseks võtke ühendust EGO teeninduskeskusega. ■ Vahetage tera või tugi. Tera või toe vahetamiseks võtke ühendust EGO teeninduskeskusega. ■ Keerake tera poldid tugevamalt kinni. Kinnitamiseks keerake polte mutrivõtmega (pole kaasas) päripäeva.

GARANTII

EGA GARANTIIPÕHIMÕTTED

Täielikud EGO garantiitingimused leiate veebilehelt egopowerplus.com.

ET

ПРОЧИТАЙТЕ ВСІ ІНСТРУКЦІЇ



ПРОЧИТАЙТЕ ПОСІБНИК З ЕКСПЛУАТАЦІЇ

⚠ Залишковий ризик! Люди з електронними пристроями, наприклад кардіостимуляторами, повинні проконсультуватися зі своїм лікарем (лікарями) перед використанням цього виробу. Експлуатація електрообладнання в безпосередній близькості від кардіостимулятора може спричинити перешкоди або несправність кардіостимулятора.

⚠ ПОПЕРЕДЖЕННЯ. Для гарантування безпеки та надійності всі роботи з ремонту та заміни повинен проводити кваліфікований технічний спеціаліст.

СИМВОЛИ, ЩО СТОСУЮТЬСЯ БЕЗПЕКИ

Мета символів, пов'язаних із безпекою, – привертати вашу увагу до можливих небезпек. Символи безпеки та їхнє пояснення заслуговують на вашу пильну увагу та розуміння. Символи попереджень самі по собі не усувають будь-якої небезпеки. Інструкції та попередження, які вони надають, не замінюють належних заходів щодо запобігання аваріям.

⚠ ПОПЕРЕДЖЕННЯ. Перш ніж користуватися цим інструментом, обов'язково ознайомтеся з усіма інструкціями з безпеки, наведеними в цьому посібнику користувача, зокрема з усіма символами попереджень, такими як «**НЕБЕЗПЕКА**», «**ПОПЕРЕДЖЕННЯ**» та «**ЗАСТЕРЕЖЕННЯ**». Недотримання наведених нижче вказівок може спричинити ураження електричним струмом, пожежу та/або серйозні травми.

ЗНАЧЕННЯ СИМВОЛУ

⚠ СИМВОЛ ПОПЕРЕДЖЕННЯ ЩОДО БЕЗПЕКИ:

Вказує на **НЕБЕЗПЕКУ, ПОПЕРЕДЖЕННЯ АБО ЗАСТЕРЕЖЕННЯ**. Може використовуватися разом з іншими символами або піктограмами.



⚠ ПОПЕРЕДЖЕННЯ. Використання будь-яких електроінструментів може призвести до потрапляння сторонніх предметів в очі, що може спричинити серйозне пошкодження очей. Перед початком експлуатації електроінструмента завжди надягайте закриті захисні окуляри або відкриті захисні окуляри з бічними щитами та, якщо потрібно, повнопрофільну захисну маску. Ми рекомендуємо захисну маску широкого розміру для використання поверх окулярів або стандартні відкриті захисні окуляри з бічними щитами.

ВКАЗІВКИ З ТЕХНІКИ БЕЗПЕКИ

На цій сторінці зображено та описано символи, пов'язані з безпекою, які можуть відображатися на цьому виробі. Перш ніж намагатися зібрати та експлуатувати його, ознайомтеся з усіма інструкціями на машині та дотримуйтеся їх.

	Попередження щодо безпеки	Вказує на потенційну небезпеку травмування.
	Прочитайте посібник користувача	Щоб зменшити ризик травми, користувач повинен ознайомитися з інструкцією користувача перед використанням цього виробу.
	Надягайте захисні окуляри	Працюючи з цим виробом, завжди носіть закриті захисні окуляри чи відкриті захисні окуляри з бічними щитами або повнопрофільну захисну маску.
	Надягайте засоби захисту голови	Носіть схвалений захисний шолом для захисту голови.
	Використовуйте засоби захисту органів слуху.	Під час роботи з цим виробом завжди використовуйте засоби захисту органів слуху.
	Довжина леза	Довжина леза
	Різальна здатність	Макс. різальна здатність леза

	Тримайте руки та ноги подальше від ріжучого інструмента.	Ніколи не намагайтеся керувати електроінструментом однією рукою. Втрата контролю над електроінструментом призведе до серйозного або смертельного травмування. Щоб зменшити ризик травмування, тримайте руки та ноги подальше від ріжучого інструмента. Ніколи не наближайте рухомий ріжучий інструмент до рук або до будь-якої іншої частини тіла.
	Тримайте сторонніх подальше.	Переконайтеся, що інші люди та домашні тварини залишаються на відстані принаймні 15 м від тримера для підрізання живоплуту, коли він використовується.
	Не залишайте під дощем.	Не використовуйте цей пристрій у дощ і не залишайте його в дощ надворі.
IPX4	Символ IP	Захист від проникнення води ступеня 4
	CE	Цей виріб відповідає чинним директивам ЄС.
	WEEE	Відходи електричних виробів не слід викидати разом із побутовим сміттям. Зверніться до авторизованого пункту переробки.
	Шум	Гарантований рівень звукової потужності. Розповсюдження шуму в навколишнє середовище згідно з директивою Європейського співтовариства.
V	Міліметр	Довжина або розмір
mm	Вольти	Напруга

cm	Сантиметр	Довжина або розмір
kg	Кілограм	Маса

ВАЖЛИВІ ВКАЗІВКИ ЩОДО БЕЗПЕКИ

⚠ ПОПЕРЕДЖЕННЯ! Під час використання садових інструментів необхідно завжди дотримуватись основних правил техніки безпеки для зниження ризику виникнення пожежі, ураження струмом та тілесних ушкоджень, включно з наведеними нижче.

ПРОЧИТАЙТЕ УВАЖНО ПЕРЕД ВИКОРИСТАННЯМ

ЗБЕРІГАЙТЕ ДЛЯ ПОДАЛЬШОГО КОРИСТУВАННЯ

⚠ НЕБЕЗПЕКА! Не використовуйте поблизу ліній електропередач. Пристрій не розроблений для забезпечення захисту від ураження електричним струмом у разі контакту з повітряними електричними лініями. Перегляньте місцеві правила щодо безпечної відстані від повітряних ліній електропередач і переконайтеся, що робоче положення є безпечним і надійним, перед тим як працювати з інструментом.

ПОПЕРЕДЖЕННЯ ЩОДО БЕЗПЕКИ ВИКОРИСТАННЯ ТРИМЕРА ДЛЯ ПІДРІЗАННЯ ЖИВОПЛОТУ:

⚠ НЕБЕЗПЕКА! Тримайте руки подальше від леза. Контакт із лезом призведе до серйозних травм.

- Тримайте всі частини тіла якнайдалі від ріжучого полотна. Не видаляйте матеріали, які слід порізати, під час руху леза. Перш ніж усунути матеріал, який заважає подальшій роботі, переконайтеся, що перемикач живлення вимкнено. Мить неуважності під час роботи з куцорізом може призвести до серйозних травм.
- На інструментах із передбаченим транспортним положенням (лезо зігнуто та прилягає до вала тримера): ніколи не запускайте інструмент у транспортному положенні, оскільки лезо не заблоковано в цьому положенні, і тому ви не можете візуально перевірити, чи вони зупиняться, коли ви почнете регулювати лезо в потрібному положенні різання (у якому лезо заблоковано).
- Переносьте тример для живоплуту за руків'я тільки після зупинки леза. Для транспортування і зберігання завжди накривайте інструмент кришкою. Належне поводження з куцорізом знизить небезпеку можливого травмування лезом.

UK

- Не беріть руками відкриті леза або ріжучі кромки, коли запякуєте або тримаєте тример для живоплоту.
- Тримайте електроінструмент лише за ручки з ізованим покриттям, оскільки лезо може контактувати з прихованою проводкою. Контакт лез із дротом під напругою призводить до появи напруги в металевих частинах електроінструмента, що може призвести до ураження користувача електричним струмом.
- Тримайте шнур якнайдалі від місця різання. Під час роботи кабель може захватитися у кущах і випадково порізатися лезом.
- Перед початком експлуатації перевірте живопліт на наявність сторонніх предметів, наприклад дротяних огорож.
- Щоб зменшити ризик пошкодження в разі втрати контролю, тримайте лезо подалі від себе і всіх інших перешкод і предметів, включаючи землю, оскільки після запуску інструмента швидкість мотора буде достатньою, щоб лезо рухалося в інструменті.
- Не допускайте інших осіб у загальну робочу зону. Переконайтеся, що інші люди та домашні тварини залишаються на відстані принаймні 15 м від тримера для підрізання живоплоту, коли він використовується.
- Ніколи не дозволяйте дітям працювати з тримером для живоплоту.
- Працюйте з тримером для живоплоту двома руками. Робота однією рукою може призвести до втрати контролю та серйозних травм.
- Не дотягуйтеся. Завжди міцно стійте на ногах і втримуйте рівновагу. Особливо уважними слід бути в слизьких умовах (волога земля, сніг) і на складній, зарослій ділянці. Остерігайтеся прихованих перешкод, таких як пні, коріння дерев та канави, щоб уникнути опалих гілок, кущів і обрізків. Будьте надзвичайно обережні, працюючи на схилах або нерівній землі.
- Не використовуйте драбину, дах, дерево або іншу нестійку опору. Міцно стійте на ногах на твердій поверхні, щоб краще контролювати тример для живоплоту в непередбачених ситуаціях.
- Завжди тримайте леза в полі зору – не обрізайте будь-яку ділянку, якщо ви не бачите живопліт. Під час підрізання верхівки високого живоплоту часто перевіряйте іншу сторону живоплоту, щоб побачити сторонніх спостерігачів, тварин і перешкоди.
- Перевірте наявність пошкоджених частин перед подальшим використанням тримера для живоплоту. Перевірте центрування та можливе заїдання рухомих деталей, розламування деталей, кріплення та інші умови, які можуть вплинути на роботу інструмента.
- Часто перевіряйте кріпильні болти леза та мотора, чи вони як слід затягнуті. Також візуально перевіряйте, чи лезо не пошкоджене (наприклад, зігнуто, тріснуто або зношене). Замініть лезо лише лезом від EGO™.
- Замініть лезо, якщо воно зігнуто або тріснуло. Незбалансоване лезо спричиняє вібрацію, яка може пошкодити блок електропривода або призвести до травм.
- Якщо обладнання почне незвично вібрувати, вимкніть мотор і негайно виявіть причину. Вібрація зазвичай сигналізує про несправність.
 - Тример використовується для вирізання стеблків завтовшки до 26 мм.
 - Обрізайте кромки тільки при денному світлі або доброму штучному освітленні.
- Не використовуйте тример для живоплоту, що живиться від батареї, у дощ.

ДОДАТКОВІ ПОПЕРЕДЖЕННЯ

- Не заряджайте акумуляторну батарею під дощем або у вологих місцях.
- Використовуйте лише акумулятори та зарядні пристрої, перелічені на рис. А.
- Акумуляторну батарею потрібно вииняти з приладу, перш ніж викидати його.
- Акумулятори необхідно утилізувати безпечно.
- Не викидайте батарею у вогонь. Елементи живлення можуть вибухнути. Перевірте місцеві правила для отримання спеціальних інструкцій з утилізації.

- Не відкривайте й не деформуйте батарею. Вивільнений електроліт є корозійним і може спричинити пошкодження очей або шкіри. Його ковтання може бути токсичним.

⚠ ОБЕРЕЖНО! Електроліт – це розведена сірчана кислота, шкідлива для шкіри та очей. Це електропровідна та корозійна речовина.

- Будьте обережні під час поводження з акумуляторами, щоб не закоротити батарею провідними матеріалами, такими як кільця, браслети та ключі. Акумулятор або провідник можуть перегрітися та спричинити опіки.
- Акумуляторні інструменти не потрібно підключати до електричної розетки; отже, вони завжди в робочому стані. Будьте в курсі можливих небезпек, навіть якщо інструмент не працює. Будьте обережні, виконуючи технічне обслуговування чи догляд.
- Вийміть акумуляторну батарею перед обслуговуванням, чищенням або видаленням матеріалу з інструмента.
- Запчастини – використовуйте для технічного обслуговування лише ідентичні запчастини EGO. Використання будь-якого іншого аксесуара або насадки може збільшити ризик травми.
- Обслуговування електроінструмента повинен виконувати кваліфікований ремонтник із використанням лише ідентичних запасних частин. Це забезпечить нормальну роботу електроінструмента.
- Не мийте шлангом; уникайте потрапляння води в мотор та електричні з'єднання.
- Зберігайте інструмент у сухому та високо розташованому, недоступному для дітей місці.
- Якщо виникають ситуації, які не розглядаються в цьому посібнику, проявляйте обережність і розсудливість. Зверніться до сервісного центру EGO по допомогу.
- Збережіть цю інструкцію. Часто переглядайте та використовуйте її, щоб навчати інших, хто може використовувати цей інструмент. Якщо ви надаєте комусь цей інструмент, надайте їм ці інструкції, щоб запобігти неналежному використанню виробу та можливим травмам.

ЗБЕРЕЖІТЬ ЦЮ ІНСТРУКЦІЮ

ПРИМІТКА. ДИВІТЬСЯ ІНСТРУКЦІЮ КОРИСТУВАЧА ПРИВОДНОЇ ГОЛОВКИ ДЛЯ ОЗНАЙОМЛЕННЯ З ДОДАТКОВИМИ СПЕЦІАЛЬНИМИ ПРАВИЛАМИ БЕЗПЕКИ.

СПЕЦИФІКАЦІЇ

Довжина леза	51 cm	
Різальна здатність	26 мм	
Вага (без акумулятора)	2,20 кг	
Діапазон рекомендованих робочих температур	0°C–40°C	
Діапазон рекомендованих температур зберігання	-20°C–70°C	
Вимірний рівень звукової потужності L_{WA}	92,3 дБ(A) K=2,72 дБ(A)	
Рівень звукового тиску на місці вуха оператора L_{PA}	80,4 дБ(A) K=3 дБ(A)	
Гарантований рівень звукової потужності L_{WA} (виміряно відповідно до 2000/14/EC)	95 дБ(A)	
Оцінка вібрації a_r :	Передня допоміжна ручка	4,9 м/с ² K=1,5 м/с ²
	Задня ручка	6,7 м/с ² K=1,5 м/с ²

- Зазначені вище параметри випробувано та виміряно з приводною головкою RH1400E;
- Вказане загальне значення вібрації виміряно за стандартним методом тестування і може використовуватися для порівняння одного інструмента з іншим;
- Заявлене сумарне значення вібрації може також використовуватись для попередньої оцінки впливу.

ПРИМІТКА. Емісія вібрації під час фактичного використання електроінструмента може відрізнятися від заявленої величини, у якій використовується інструмент. Щоб захистити оператора, користувач повинен вдягати рукавички та захисні навушники в реальних умовах використання.

ПАКУВАЛЬНИЙ СПИСОК

НАЗВА ДЕТАЛІ	КІЛЬКІСТЬ
Насадка для підрізання живоплоту	1
Гайковий ключ	1
Чохол для леза	1
Посібник користувача	1

UK

ОПИС

ОЗНАЙОМЛЕННЯ З НАСАДКОЮ ДЛЯ ПІДРІЗАННЯ ЖИВОПЛОТУ (рис. А)

1. Лезо
2. Квадрант
3. Тригер
4. Вал тримера для живоплоту
5. М'який рукав
6. Торцевий ковпачок
7. Регулювальний важіль
8. Корпус редуктора
9. Гайковий ключ
10. Чохол для леза
11. Наконечник (додатково, ПРОДАЄТЬСЯ ОКРЕМО)

ЗБИРАННЯ

▲ ПОПЕРЕДЖЕННЯ. Якщо якісь частини пошкоджені або відсутні, не користуйтеся цим інструментом, доки вони не будуть замінені. Використання цього виробу з пошкодженими або відсутніми деталями може призвести до серйозних травм.

▲ ПОПЕРЕДЖЕННЯ. Не намагайтеся вдосконалити цей тример для живоплоту або застосувати приладдя, не рекомендоване для нього. Кожна така заміна чи переробка є фактом неправильного користування, створює небезпечні умови й загрожує серйозними травмами.

▲ ПОПЕРЕДЖЕННЯ. Ніколи не закріплюйте та не регулюйте насадки під час роботи приводної головки, або коли батарея встановлена. Якщо не зупинити мотор і не зняти батарею, це може призвести до серйозних травм.

РЕГУЛЮВАННЯ ЛЕЗА

Коли тример для живоплоту виймається з упаковки, він складений у положенні зберігання, у якому лезо прилягає до вала (рис. В). Рекомендується відрегулювати лезо у відповідному робочому положенні, перш ніж приєднати його до приводної головки.

Є 12 можливих робочих положень. Кут леза можна встановити вгору на 5 положень від 0° (прямо) до 45°, включно з 0°, і вниз на 7 положень від 0° до 90° (під прямим кутом вниз) (рис. С), не включаючи 0°.

1. Натисніть тригер на регулювальному важелі, і тим часом обертайте регулятор, щоб відрегулювати лезо в потрібному положенні різання (рис. D).
2. Після досягнення потрібного положення відпустіть тригер. Клацання вказує на те, що фіксатор заблокований у квадранті (рис. D).

Рис. D див. опис деталей нижче:

D-1	Квадрант
D-2	Фіксатор

▲ ПОПЕРЕДЖЕННЯ. Щоб зменшити ризик травми, виконайте регулювання лише тоді, коли леза в стані покою. Ніколи не торкайтесь лез, виконуючи регулювання.

▲ ПОПЕРЕДЖЕННЯ. Щоб зменшити ризик травми, завжди зупиняйте інструмент і надягайте чохол на лезо, перш ніж установити лезо в положення зберігання або з положення зберігання в нормальне робоче положення.

ПІД'ЄДНАННЯ/ЗНЯТТЯ НАСАДКИ ДЛЯ ПІДРІЗАННЯ ЖИВОПЛОТУ ДО ПРИВODНОЇ ГОЛОВКИ

Ця насадка для підрізання живоплоту призначена для використання з ЛІТІЙ-ІОННОЮ головою EGO RH1400E на 56 В. Окрім підрізання верхівки, тример для живоплоту має положення для підрізання збоку для під'єднання до приводної головки (рис. E). Детальні методи роботи див. У розділі «ТЕХНІКА РОБОТИ» в цьому посібнику.

Рис. E див. опис деталей нижче:

E-1	Положення для підрізання верхівки
E-2	Положення для підрізання збоку

Див. розділ «УСТАНОВЛЕННЯ НАСАДКИ НА ПРИВODНУ ГОЛОВКУ» в посібнику користувача приводної головки RH1400E, щоб отримати відомості про під'єднання тримера для живоплоту до приводної головки.

Див. розділ «ЗНЯТТЯ НАСАДКИ З ПРИВODНОЇ ГОЛОВКИ» в посібнику користувача приводної головки RH1400E, щоб отримати відомості про зняття тримера для живоплоту з приводної головки.

КРІПЛЕННЯ НАКОНЕЧНИКА (додатково)

1. Використовуйте шестигранний гайковий ключ, щоб зняти короткий болт, просту шайбу, втулку та гайку на кінці леза (рис. F). Збережіть просту шайбу, втулку та гайку для повторного збирання.

Рис. F див. опис деталей нижче:

F-1	Гайка	F-3	Проста шайба
F-2	Втулка	F-4	Короткий болт

УК

2. Вирівняйте захисний наконечник із випуклістю на лезі та встановіть його на місце. Закріпіть його новим довгим болтом та гайкою, а також збереженою шайбою, втулкою та гайкою (рис. G).

Рис. G див. опис деталей нижче:

G-1	Гайка	G-4	Втулка
G-2	Захисний наконечник	G-5	Проста шайба
G-3	Гайка	G-6	Довгий болт

ЕКСПЛУАТАЦІЯ

⚠ НЕБЕЗПЕКА. Ніколи не обрізайте біля ліній електропередач, електричних шнурів або інших джерел електричного струму. Якщо лезо натрапляє на будь-який електричний шнур або лінію, **НЕ ТОРКАЙТЕСЯ ЛЕЗА ЧИ АЛЮМІНІЄВОЇ ШТАНГИ! ВОНИ МОЖУТЬ БУТИ ПІД НАПРУГОЮ І ДУЖЕ НЕБЕЗПЕЧНИМИ.**

Продовжуйте тримати тример для живоплоту за ізольовану задню ручку або відкладіть його в безпечний спосіб. Відключіть подачу електроенергії на пошкоджену лінію або шнур, перш ніж намагатися звільнити лезо від лінії або шнура. Контакт із лезом, іншими електропровідними частинами тримера для живоплоту або електричними шнурами чи лініями під напругою призведе до смертельного ураження електричним струмом або серйозної травми.

⚠ ПОПЕРЕДЖЕННЯ. Знання виробу не має робити вас небалним. Пам'ятайте, що півсекунди неухважності досить для серйозної травми.

⚠ ПОПЕРЕДЖЕННЯ. Завжди носіть засоби захисту органів зору та слуху. Без окулярів ви ризикуєте травмами очей від викинутих предметів та іншими серйозними травмами.

Перед кожним використанням перевірте весь виріб на наявність пошкоджених, відсутніх або зношених деталей, таких як гвинти, гайки, болти, ковпачки тощо. Закріпіть усі затискачі та ковпачки і не використовуйте цей пристрій, доки не будуть замінені всі відсутні або пошкоджені деталі.

⚠ ПОПЕРЕДЖЕННЯ. Щоб запобігти серйозним травмам, вийміть акумуляторну батарею з інструмента перед обслуговуванням, очищенням, заміною насадок або видаленням матеріалу з пристрою.

Після кожного використання очистьте інструмент.

Див. розділ «Технічне обслуговування» для отримання вказівок з очищення.

ЗАСТОСУВАННЯ

Ви можете використовувати цей виріб для підрізання живоплотів, чагарників, кущів тощо з діаметром гілок менше Ø26 мм.

ПРИМІТКА. Цей інструмент має використовуватись тільки за призначенням. Будь-яке інше використання вважається випадком використання не за призначенням.

ВИКОРИСТАННЯ ТРИМЕРА ДЛЯ ЖИВОПЛОТУ З ПРИВІДНОЮ ГОЛОВКОЮ

⚠ ПОПЕРЕДЖЕННЯ. Одягайтеся правильно, щоб зменшити ризик травми під час роботи з цим інструментом. Не носіть вільного одягу або прикрас. Одягайте захисні окуляри та навушники. Носіть важкі, довгі штани, міцне взуття та рукавички. Не носіть шорти, сандалі, не працюйте босоніж. Одягайте маску для обличчя або пилову маску в місцях, де є пил.

ПІДГОТОВКА ДО ОБРІЗАННЯ.

1. Регулювання леза в потрібному робочому положенні.
2. Зніміть чохол із леза.
3. Для безпечної та короткої роботи надягайте ремінець через плече. Відрегулюйте плечовий ремінець у зручному робочому положенні. Дотримуйтесь інструкцій, наведених у розділі «КРІПЛЕННЯ ПЛЕЧОВОГО РЕМЕНЯ» в посібнику користувача RN1400E, щоб прикріпити плечовий ремінець до приводної головки.

⚠ ПОПЕРЕДЖЕННЯ. Плечовий ремінь також є механізмом швидкого звільнення в небезпечній ситуації. Коли трапляється надзвичайна ситуація, негайно зніміть його з плеча, незалежно від того, у який спосіб одягнуто ремінь.

ТЕХНІКА РОБОТИ

- **Горизонтальне різання (з лезом під кутом):** Підрізайте близько до землі з положення стоячи, наприклад, з низькі чагарники.

Виконуйте рухи лезом вгору та вниз, рухаючись уздовж живоплоту – використовуйте обидві сторони лез, не кладіть лезо на землю (рис. H).

- **Горизонтальне різання (за допомогою прямого леза):**

Тримайте лезо під кутом від 0°–10°, рухаючи тример для живоплоту горизонтально. Рухайте лезо по дузі в напрямку зовнішньої сторони живоплоту так, щоб обрізки потрапляли на землю (рис. I, J і K).

Рекомендація. Підрізайте живоплоти не вище грудей у цьому робочому положенні.

■ Вертикальне різання (з лезом під кутом).

Підрізайте, не стоячи безпосередньо поруч із живоплотом, наприклад, клумба між користувачем і живоплотом.

У цьому положенні підрізання для кращого контролю тримера для живоплоту рекомендується під'єднати його до приводної головки в положенні підрізання збоку (див. рис. Е).

Рухайте лезо вгору та вниз по дузі, просуваючись уздовж живоплоту – використовуйте обидві сторони леза (рис. L).

■ Вертикальне різання (за допомогою прямого леза).

Дуже далека досяжність без потреби в інших засобах.

Рухайте лезо вгору та вниз по дузі, просуваючись уздовж живоплоту – використовуйте обидві сторони леза (рис. M).

■ Підрізання над головою (з лезом під кутом).

Тримайте тример для живоплоту вертикально і рухайте ним по дузі, щоб максимально використовувати його досяжність (рис. N). Для надзвичайно високих живоплотів подовжувач підходить для допомоги в підрізанні.

⚠ ПОПЕРЕДЖЕННЯ. Будь-яке робоче положення вище висоти голови втомлює. Щоб мінімізувати ризик нещасних випадків, працюйте в таких положеннях лише протягом коротких періодів часу. Установіть кут регульованого леза на максимум, щоб інструмент можна було тримати в нижньому положенні, що втомлює менше (з плечовим ремінем), проте забезпечує достатню досяжність.

ЗАПУСК/ЗУПИНКА ІНСТРУМЕНТА

Див. розділ «ЗАПУСК/ЗУПИНКА ПРИВODНОЇ ГОЛОВКИ» в посібнику користувача приводної головки PH1400E.

ТЕХНІЧНЕ ОБСЛУГОВУВАННЯ

⚠ ПОПЕРЕДЖЕННЯ. Перед оглядом, чищенням або обслуговуванням пристрою зупиніть двигун, почекайте доки всі рухомі частини зупиняться, і вийміть акумуляторну батарею. Недотримання цих інструкцій може призвести до серйозних персональних травм або пошкодження майна.

UK

⚠ ПОПЕРЕДЖЕННЯ. Використовуйте для технічного обслуговування лише ідентичні запчастини. Використання будь-яких інших частин створює небезпеку або може призвести до поломки виробу. Для гарантування безпеки та надійності всі ремонтні роботи повинен проводити кваліфікований технічний спеціаліст.

ЗАГАЛЬНИЙ ТЕХНІЧНИЙ ДОГЛЯД

Не застосовуйте розчинники, коли чистите пластмасові деталі. Більшість пластмас чутливі до різноманітних промислових розчинників і можуть бути ними пошкоджені. Для видалення бруду, пилу, мастила тощо користуйтеся чистою ганчіркою.

ОЧИЩЕННЯ ПРИЛАДУ

- Використовуйте м'яку щітку, щоб видалити сміття з усіх впускних вентиляційних отворів та леза.
- Для видалення смоли та інших липких залишків розпиліть на леза розчинник смоли. Запустіть мотор ненадовго, щоб розчинник рівномірно розподілився.
- Не використовуйте сильні миючі засоби на пластиковому корпусі або ручці. Вони можуть бути пошкоджені деякими ароматичними маслами, наприклад хвойним і лимонним, а також розчинниками, такими як гас. Вологість також може становити небезпеку удару. Обережно протріть вологу м'якою сухою тканиною. Ніколи не використовуйте воду для очищення інструмента.

ЗАТОЧУВАННЯ ЛЕЗА

Коли продуктивність різання та поведінка інструмента починає погіршуватися, тобто лезо часто застрягає в гілках: заточіть леза.

Рекомендується доручати заточування лез кваліфікованим технічним спеціалістам.

ПРИМІТКА. Не працюйте з тримером для живоплоту із затупленими або пошкодженими лезами. Це може спричинити перевантаження та надасть незадовільні результати підрізання.

ЗМАЩУВАННЯ ЛЕЗА

Щоб запобігти іржавінню, рекомендується змащувати леза антикорозійним мастилом, якщо вони зберігаються тривалий час.

⚠ ПОПЕРЕДЖЕННЯ. Леза гострі. Під час маніпуляцій із лезом одягайте неслизькі міцні захисні рукавиці. Не кладіть руку або пальці між лезами або в будь-якому положенні, де вони можуть бути защемлені або порізани. НІКОЛИ не торкайтеся лез і не обслуговуйте прилад з установленим акумулятором.

ЗМАЩЕННЯ ЗУБЧАСТИХ ПЕРЕДАЧ

Зубчасті передачі в корпусі редуктора необхідно періодично змащувати трансмісійним мастилом. Перевіряйте рівень змащення корпусу редуктора приблизно кожні 50 годин роботи, знявши гвинт із гнізда на корпусі редуктора. Є три герметичні гвинти – один збоку і два зверху.

Якщо на боках редуктора не видно мастила, виконайте кроки нижче, щоб залити трансмісійне мастило на 3/4 ємності.

Не заповнюйте редуктори повністю.

1. Залежно від того, який гвинт ви знімаєте, тримайте тример для живоплоту на боці або покладіть його на задню частину, щоб герметичний гвинт, який потрібно зняти, був повернений догори (рис. O & P).
2. Використовуйте гайковий ключ, який входить у комплект, щоб відкрутити та зняти герметичний гвинт.
3. Використовуйте шприц для змащення (не входить у комплект), щоб влити мастило в отвір; не перевищуйте 3/4 ємності.
4. Затягніть герметичний гвинт після вливання.

ЗБЕРІГАННЯ ПРИЛАДУ

- Вийміть акумуляторну батарею з інструмента.
- Перед зберіганням інструмент необхідно ретельно очистити.
- Перш ніж зберігати чи транспортувати, надягніть чохол на лезо. Будьте обережні, щоб уникати гострих зубців лез.

- Якщо тример для живоплоту знято з приводної головки, і він зберігається окремо, установіть торцеву кришку на вал для насадок, щоб уникнути потрапляння бруду в муфту.
- Зберігайте пристрій у сухому, добре вентильованому, закритому або високо розташованому недоступному для дітей місці. Не зберігайте пристрій біля мінеральних добрив, бензину та інших хімікатів.

Захист довкілля



Не викидайте електричне обладнання, зарядний пристрій та батарейки/акумулятори в побутові відходи!

Відповідно до європейського закону 2012/19/ЄС електричне та електронне обладнання, яке більше не придатне для використання, і згідно з європейським законом 2006/66/ЄС дефектні або використані акумуляторні батареї мають збиратись окремо.

Якщо електричний пристрій утилізується на сміттєзвалищі, небезпечні речовини можуть вилетіти в ґрунтові води та потрапити в харчовий ланцюг, що може зашкодити вашому здоров'ю та самопочуттю.

УСУНЕННЯ НЕСПРАВНОСТЕЙ

НЕСПРАВНІСТЬ	ПРИЧИНА	ВИРІШЕННЯ
Тример для живоплоту не працює.	<ul style="list-style-type: none"> ■ Акумуляторна батарея не приєднана до тримера для живоплоту. ■ Немає електричного контакту між тримером і батареєю. ■ Акумуляторна батарея розряджена. ■ Кнопка розблокування не натиснута перед натисканням на тригер. ■ Акумулятор або приводна головка занадто гарячі. ■ Лезо защемлено. ■ Тример для живоплоту не з'єднаний із приводною головкою. 	<ul style="list-style-type: none"> ■ Під'єднайте акумулятор до тримера для живоплоту. ■ Вийміть акумулятор, перевірте контакти та знову встановіть акумулятор. ■ Зарядіть акумуляторну батарею. ■ Натисніть важіль блокування та утримуйте його, а потім натисніть на тригер, щоб увімкнути інструмент. ■ Дайте акумуляторній батареї або приводній головці охолонути, доки температура не опуститься нижче 67 °С. ■ Вийміть акумуляторну батарею з інструмента. Обережно усуньте перешкоду, а потім знову вставте акумулятор і перезапустіть інструмент. ■ Від'єднайте тример для живоплоту від приводної головки. Повторно підключіть їх відповідно до розділу «УСТАНОВЛЕННЯ НАСАДКИ НА ЕЛЕКТРОІНСТРУМЕНТ» у посібнику користувача PH1400E.
Надмірна вібрація чи шум.	<ul style="list-style-type: none"> ■ Сухі або корозійні леза. ■ Лезо або тримач леза зігнуті. ■ Зігнуті або пошкоджені зубці. ■ Ослаблені болти леза. 	<ul style="list-style-type: none"> ■ Змастіть леза. ■ Замініть на нове лезо чи тримач. Зв'яжіться із сервісним центром EGO для заміни леза чи тримача. ■ Замініть на нове лезо чи тримач. Зв'яжіться із сервісним центром EGO для заміни леза чи тримача. ■ Затягніть болти леза. Використовуючи гайковий ключ (не входить у комплект), затягніть болт за годинниковою стрілкою.

ГАРАНТІЯ

ПРАВИЛА ГАРАНТІЇ EGO

Будь ласка, відвідайте веб-сайт egopowerplus.com для отримання повних умов гарантійної політики EGO.

UK

ПРОЧЕТЕТЕ ВСИЧКИ ИНСТРУКЦИИ!



ПРОЧЕТЕТЕ РЪКОВОДСТВОТО НА ОПЕРАТОРА

⚠️ Остатъчен риск! Хора с електронни устройства, като пейсмейкър трябва да се консултират с лекуващия(те) си лекар(и) преди употреба на този продукт. Работата с електрическо оборудване в непосредствена близост до сърдечен пейсмейкър може да предизвика смущение или неизправност на пейсмейкъра.

⚠️ ПРЕДУПРЕЖДЕНИЕ: За да осигурите безопасността и надеждността, всички поправки и подмени трябва да се извършват от квалифициран сервизен техник.

СИМВОЛИ ЗА БЕЗОПАСНОСТ

Целта на символите за безопасност е да превличат вниманието към възможни опасности. Символите за безопасност и обясненията към тях заслужават вашето повишено внимание и осъзнаване. Символите за безопасност сами по себе си не елиминират каквато и да е опасност. Инструкциите и предупрежденията, които предоставят не са заместители за подходящите мерки за предотвратяване на инцидент.

⚠️ ПРЕДУПРЕЖДЕНИЕ: Уверете се, че сте прочели и осъзнали всички инструкции за безопасност в това Ръководство на оператора, включително всички известяващи символи за безопасност, като **“ОПАСНОСТ,” “ПРЕДУПРЕЖДЕНИЕ,”** и **“ВНИМАНИЕ”** преди да използвате този инструмент. Неспазването на всички инструкции изброени долу може да доведе до електрически шок, пожар и/или сериозно нараняване.

ЗНАЧЕНИЕ НА СИМВОЛИТЕ

⚠️ СИМВОЛ СИГНАЛИЗИРАЩ ЗА

БЕЗОПАСНОСТ: Показва **ОПАСНОСТ, ПРЕДУПРЕЖДЕНИЕ, ИЛИ ВНИМАНИЕ.** Могат да бъдат използвани във връзка с други символи или пиктограми.



⚠️ ПРЕДУПРЕЖДЕНИЕ:

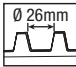





Експлоатацията на всички електрически инструменти, може да доведе до изхвърляне на чужди предмети към вашите очи, което може да доведе до сериозно нараняване на окото. Преди започване на работа с електрически инструмент, винаги носете предпазни очила със странична защита и визьор за цялото лице, когато е необходимо. Ние препоръчваме предпазна маска с широк визьор за употреба над очила или стандартни предпазни очила със странична защита.

ИНСТРУКЦИИ ЗА БЕЗОПАСНОСТ

Тази страница изобразява и описва символите за безопасност, които може да се появят по този продукт. Прочетете, осъзнайте и следвайте всички инструкции по машината преди предприемане на сглобяване или работа.

	Сигнал за безопасност	Показва риска от потенциално нараняване на човек.
	Прочетете ръководството на оператора	За намаляване на опасността от нараняване, потребителят трябва да прочете и разбере ръководството на оператора преди използването на този продукт.
	Носете защита за очите	Винаги носете предпазни очила със странична защита и предпазен екран за цялото лице, когато работите с този продукт.
	Носете защита за главата	Носете одобрена предпазна каска с твърдо бомбе за да предпазите главата.
	Носете защита за слуха	Винаги носете защита за слуха, когато работите с този продукт.
	Дължина на ножа	Дължина на ножа

BG

	Капацитет за рязане	Максимален капацитет на рязане на ножа
	Дръжте ръцете и краката далеч от режещия инструмент.	Никога не се опитвайте да работите с една ръка с вашия електрически инструмент. Загуба на контрол на вашия електрически инструмент може да доведе до сериозно или фатално нараняване. За да намалите риска от наранявания при срязване дръжте ръцете и краката далеч от режещия инструмент. Никога не закрепвайте движещ се режещ инструмент с вашите ръце или с друга част на вашето тяло.
	Дръжте околните хора надалеч	Уверете се, че други хора и домашни любимци спазват поне 15 м разстояние от ножицата за плет, когато я използвате.
	Не излагайте на дъжд	Не използвайте в дъжд или не го оставяйте навън, когато вали.
IPX4	IP символ	Защита от навлизане на вода степен 4.
	CE	Този продукт е в съответствие с приложимите директиви на ЕС.
	WEEE	Отпадъчните електрически продукти не трябва да бъдат изхвърляни заедно с домакинския отпадък. Отнесете го до упълномощено място за рециклиране.

	Шум	Гарантирано ниво на мощност на звука. Звуковите емисии към околната среда са в съответствие с директивите на европейската общност.
V	Волта	Дължина или размер
mm	Милиметър	Напрежение
cm	Сантиметър	Дължина или размер
kg	Килограм	Тегло

ВАЖНИ ИНСТРУКЦИИ ЗА БЕЗОПАСНОСТ

⚠ ПРЕДУПРЕЖДЕНИЕ! Когато използвате електрически градински уреди, винаги трябва да бъдат спазвани основни предпазни мерки за безопасност, за да се намали риска от пожар, токов удар и лично нараняване, включвайки следното:

ПРОЧЕТЕТЕ ВНИМАТЕЛНО ПРЕДИ УПОТРЕБА ЗАПАЗЕТЕ ЗА БЪДЕЩА СПРАВКА

⚠ ОПАСНОСТ! Не работете в близост до електропроводи. Уредът не е проектиран да предостави защита от токов удар в случай на контакт с въздушен електропровод, консултирайте се с местните разпоредби за безопасни разстояния от въздушни електропроводи и се уверете, че позицията за работа е безопасна и осигурена преди да работите с инструмента.

ПРЕДУПРЕЖДЕНИЯ ЗА БЕЗОПАСНОСТ ЗА НОЖИЦА ЗА ЖИВ ПЛЕТ

⚠ ОПАСНОСТ! Дръжте ръцете далеч от ножа. Контактът с ножа ще доведе до сериозно нараняване.

- **Дръжте всички части на вашето тяло далеч от режещия нож. Не премествайте отрязания материал или не дръжте материала, който ще бъде отрязан, когато ножовете се движат. Уверете се, че превключвателят е изключен, когато почиствате заседнал материал. Момент невнимание по време на работата с ножицата за жив плет, може да доведе до сериозно лично нараняване.**

- При машини със зададена позиция за транспорт (режещият нож сгънат хоризонтално спрямо пръта на ножицата за плет): Никога не стартирайте машината в транспортна позиция, тъй като ножовете не са зацелени в тази позиция и поради това не може визуално да проверите дали ще бъдат спрени при празен ход, когато започнете да настройвате режещия нож на желаната позиция за рязане (където ножовете са зацелени).
- Носете ножицата за жив плет за ръкохватката при спрян режещ нож. Когато транспортирате или съхранявате ножицата за жив плет винаги поставяйте капака на режещото устройство. Правилната работа с ножицата за плет ще намали вероятността от възможно нараняване от режещите ножове.
- Не хващайте откритите режещи ножове или режещи ръбове, когато повдигате и държите ножицата за плет.
- Дръжте електрическия инструмент само за изолираните повърхности за захващане, тъй като режещият нож може да влезе в контакт със скрит кабел. Режещите ножове в контакт с кабел под напрежение могат да направят откритите метални части под напрежение и могат да причинят на оператора токов удар.
- Дръжте кабелите далеч от зоната на рязане. Кабелът може да бъде скрит в храста по време на работа и да бъде срязан инцидентно от ножа.
- Проверете плета за чужди предмети преди работа, примерно телени огради.
- За да намалите риска от нараняване при загуба на контрол, бъдете напълно сигурни, че режещият нож не е в контакт с вас или други препятствия или обекти, включително със земята, тъй като когато инструментът стартира скоростта на мотора ще бъде достатъчно бърза за да активира и премести режещия нож на инструмента.
- Не позволявайте присъствие на други лица в зоната за работа като цяло. Уверете се, че други хора и домашни любимци спазват поне 15 м разстояние от ножицата за плет, когато я използвате.
- Никога не позволявайте на деца да работят с ножицата за жив плет.
- Използвайте двете ръце, когато работите с ножицата за жив плет. Използването на една ръка може да причини загуба на контрол и да доведе до сериозно нараняване.
- Не се протягайте. Запазете правилна стойка и баланс по всяко време. Трябва да бъде обърнато специално внимание при хлъзгави условия (мокра земя, сняг) и при труден, обрасъл терен. Гледайте за скрити препятствия като дънери на дърветата, корени и канавки за да избегнете паднали клони, ожулвания и нарязвания. Бъдете изключително предпазливи, когато работите по наклони или неравна земя.
- Не използвайте за опора стълба, покрив, дърво или друга нестабилна повърхност. Стабилната стойка на краката върху твърда повърхност позволява по-добро управление на ножицата за плет в непредвидени ситуации.
- Наблюдавайте режещите ножове по всяко време - не режете някоя зона ако не можете да видите плета. Когато режете върха на по-висок жив плет, често проверявайте другата страна на плета за близкостоящи хора, животни и препятствия.
- Проверете повредените части преди последваща употреба на ножицата за плет. Проверете за разместване или блокиране на подвижните части, счупване на части, монтажа и всякакви други условия, които могат да окажат влияние на работата.
- Проверявайте на чести интервали ножа и монтажните болтове на мотора за правилно затягане. Също визуално проверете ножа за повреди (примерно огъвания, пукнатини и износване). Подменете ножа само с нож от EGO™.
- Подменете ножа ако е огънат или напукан. Разбалансиран нож причинява вибрации, които могат да повредят мотора или да причинят нараняване.
- Ако оборудването започне да вибрира неестествено, спрете мотора и незабавно проверете за причината. Вибрациите обикновено са предупреждение за проблем.
- Ножицата трябва да бъде използвана за рязане на стъбла с дебелина по-малка от 26 мм.
- Подрязвайте единствено на дневна светлина или на добра изкуствена светлина.
- Не използвайте ножица за плет захранвана от батерия в дъжд.

ДОПЪЛНИТЕЛНИ ПРЕДУПРЕЖДЕНИЯ

- Не зареждайте акумулаторната батерия при дъжд или в мокра среда.
- Използвайте само с акумулаторни батерии и зарядни устройства изброени на фиг. А.
- Акумулаторната батерия, трябва да бъде премахната от уреда преди да бъде предаден за скрап.
- Батерията трябва да бъде безопасно изхвърлена като отпадък.
- Не изхвърляйте батерията в огън. Клетките могат да експлодират. Проверете местните кодове възможни специални инструкции за изхвърляне.
- Не отваряйте или изменяйте батерията. Освободеният електролит е корозивен и може да причини щети по очите или кожата. Може да бъде токсичен ако е погълнат.

⚠ ВНИМАНИЕ! Електролит е разредена сярна киселина, която е вредна за кожата и очите. Той е електропроводим и корозивен.

- Подходете с внимание при боравене с батерията за да не окъсите батерията с токопроводими материали като обещи, гривни и ключове. Батерията или проводникът може да прегреят и да причинят изгаряния.
- Инструментите с батерия не трябва да бъдат закачени към електрически контакт, поради това те винаги са в работно състояние. Бъдете подготвени за възможни опасности, дори когато инструментът не работи. Бъдете внимателни, когато извършвате поддръжка или обслужване.
- Извадете акумулаторната батерия, преди обслужване, почистване или изваждане на материали от инструмента.
- Резервни части - Когато обслужвате, използвайте само идентични резервни части на EGO. Употребата на всякакви други аксесоари или приставки може да увеличи риска от нараняване.
- Обслужвайте вашия електрически инструмент чрез квалифициран техник, като използвате само идентични резервни части. Това ще осигури поддържането на безопасността на електрическия инструмент.

- Не измивайте с маркуч, избягвайте попадане на вода в мотора и електрическите връзки.
- Съхранете уреда на сухо и високо или заключено място извън достъпа на деца.
- Ако настъпят събития, които не са засегнати в това ръководство, бъдете предпазливи и използвайте добра преценка. Свържете се с сервисния център на EGO за помощ.
- Запазете тези инструкции. Обръщайте се често към тях и ги използвайте за инструктиране на други, които може да използват този инструмент. Ако заемете този инструмент на някой друг, вземете им също и тези инструкции, за да се предотврати злоупотребата с продукта и вероятно нараняване.

ЗАПАЗЕТЕ ТЕЗИ ИНСТРУКЦИИ

БЕЛЕЖКА: ВИЖТЕ РЪКОВОДСТВОТО НА ОПЕРАТОРА НА ВАШАТА ЗАХРАНВАЩА ГЛАВА ЗА ДОПЪЛНИТЕЛНИ КОНКРЕТНИ ПРАВИЛА ЗА БЕЗОПАСНОСТ.

СПЕЦИФИКАЦИИ

Дължина на ножа	51 cm	
Капацитет за рязане	26 mm	
Тегло (без акумулаторна батерия)	2,20 kg	
Препоръчителна работна температура	0°C-40°C	
Препоръчителна температура на съхранение	-20°C-70°C	
Измерено ниво на сила на звука L_{WA}	92,3 dB(A) K=2,72 dB(A)	
Ниво на звуково налягане при ухото на оператора L_{PA}	80,4 dB(A) K=3 dB(A)	
Гарантирано ниво на сила на звука L_{WA} (измерено съгласно 2000/14/EC)	95 dB(A)	
Оценка на вибрации v_{h1} :	Предната спомагателна ръкохватка	4,9 m/s ² K=1,5 m/s ²
	Задна ръкохватка	6,7 m/s ² K=1,5 m/s ²

- Горните параметри са тествани и измерени оборудвани със захранваща глава PH1400E;
- Декларираният общ размер на вибрации е измерен в съответствие със стандартния метод за тест и може да бъде използван за сравнение между два инструмента;

- Декларираният общ размер на вибрации може също така да бъде използван за предварителна оценка на влиянието.

БЕЛЕЖКА: Вибрационните емисии по време на действителната употреба на електрическия инструмент може да се различава от декларираната стойност. С цел да се защити оператора, потребителят трябва да носи ръкавици и антифони в действителни условия на работа.

ОПАКОВЪЧЕН ЛИСТ

ИМЕ НА ЧАСТ	БРОЙ
Приставка ножица за жив плет	1
Гаечен ключ	1
Ножница за ножа	1
Ръководство на оператора	1

ОПИСАНИЕ

ЗАПОЗНАЙТЕ СЕ С ВАШАТА ПРИСТАВКА НОЖИЦА ЗА ЖИВ ПЛЕТ (Фиг. А)

1. Режещо острие
2. Зъбен сектор
3. Спусък
4. Прът на ножицата за жив плет
5. Мек ръкав
6. Крайна капачка
7. Лост за настройка
8. Предавателна кутия
9. Гаечен ключ
10. Ножница за ножа
11. Протектор за върха (опционален. ПРОДАВА СЕ ОТДЕЛНО)

МОНТАЖ

⚠ ПРЕДУПРЕЖДЕНИЕ: Ако някои от частите са повредени или липсват, не работете с този продукт, докато частите не се подменят. Използването на този продукт с повредени или липсващи части може да доведе до сериозно лично нараняване.

⚠ ПРЕДУПРЕЖДЕНИЕ: Не се опитвайте да модифицирате този продукт или да създадете аксесоари, които не се препоръчват за употреба с тази ножица за жив плет. Всяка такава промяна или модификация е злоупотреба и може да доведе до опасни условия с последици от възможни сериозни наранявания.

⚠ ПРЕДУПРЕЖДЕНИЕ: Никога не монтирайте или регулирайте приставка, докато захранващата глава работи или когато батерията е монтирана. Неспазването за спиране на мотора и изваждане на батерията може да доведе до сериозно нараняване.

РЕГУЛИРАНЕ НА РЕЖЕЩИЯ НОЖ

Когато ножицата за жив плет се извади от опаковката, тя е сгъната в нейната позиция за съхранение, при която режещият нож е успоредно на пръта. (фиг. В). Препоръчва се да регулирате режещия нож в подходяща работна позиция, преди да го закрепите към захранващата глава.

Има 12 възможни работни позиции. Ъгълът на режещият нож може да бъде регулиран нагоре на 5 степени от 0° (направо) до 45°, включително 0° и надолу в 7 степени от 0° до 90° (десния ъгъл сочи надолу) (фиг. С), без да включва 0°.

1. Натиснете спусъка на лоста за регулиране и съвременно завъртете лоста за регулиране за да настроите режещия нож към желаната позиция за рязане (фиг. D).
2. Веднъж след като желаната позиция е достигната освободете спусъка. Доловимо щракане показва, че заключващият щифт е разположен от дясно е зацепен на местото си в зъбния сектор (фиг. D).

Фиг. D описание на части виж долу:

D-1	Зъбен сектор
D-2	Заключващ щифт

⚠ ПРЕДУПРЕЖДЕНИЕ: За да намалите риска от нараняване извършвайте регулирането единствено, когато режещите ножове са в покой. Никога не докосвайте ножовете докато правите настройки.

⚠ ПРЕДУПРЕЖДЕНИЕ: За да намалите риска от нараняване винаги спрете инструмента и поставете ножицата за ножа, преди да предвижте режещия нож в позицията за съхранение или от позицията за съхранение в нормална работна позиция.

СВЪРЗВАНЕ/ИЗВАЖДАНЕ НА ПРИСТАВКАТА НОЖИЦА ЗА ЖИВ ПЛЕТ КЪМ ЗАХРАНВАЩАТА ГЛАВА

Тази приставка ножица за жив плет е проектирана за употреба с EGO 56V ЛИТИЕВО-ЙОННА захранваща глава RH1400E. Освен горна позиция за рязане, има позиция за странично рязане на пръта на ножицата за жив плет при свързване със захранващата глава (фиг. Е). Подробни техники на работа, моля вижте раздел "ТЕХНИКИ НА РАБОТА" в това ръководство.

Фиг. Е описание на части виж долу:

E-1	Горна позиция за рязане
E-2	Странична позиция за рязане

Вижте раздел „**МОНТИРАНЕ НА ПРИСТАВКА КЪМ ЗАХРАНВАЩАТА ГЛАВА** „ в ръководството на оператора за захранваща глава RH1400E за свързване на ножицата за жив плет към захранващата глава.

Вижте раздел „**ИЗВАЖДАНЕ НА ПРИСТАВКА ОТ ЗАХРАНВАЩАТА ГЛАВА** „ в ръководството на оператора за захранваща глава RH1400E за изваждане на ножицата за жив плет от захранващата глава.

МОНТИРАНЕ НА ПРОТЕКТОРА ЗА ВЪРХА (опционален)

1. Използвайте ключ шестограм за да извадите късия болт, плоската шайба, втулката и гайката от края на режещия нож (фиг. F). Запазете плоската шайба, втулката и гайката за последващ монтаж.

Фиг. F описание на части виж долу:

F-1	Гайка	F-3	Плоска шайба
F-2	Втулка	F-4	Къс болт

2. Подравнете протектора за върха с издатината на ножа за рязане и го монтирайте на място. Осигурете го с нов дълъг болт и гайка, както и със запазените шайба, втулка и гайка (фиг. G).

Фиг. G описание на части виж долу:

G-1	Гайка	G-4	Втулка
G-2	Протектор за върха	G-5	Плоска шайба
G-3	Гайка	G-6	Дълъг болт

ЕКСПЛОАТАЦИЯ

⚠ ОПАСНОСТ: Никога не режете в близост до електропроводи, електрически жици или други електрически източници. Ако режещите ножове заседнат на някоя електрическа жица или кабел, **НЕ ДОКОСВАЙТЕ РЕЖЕЩИЯ НОЖ ИЛИ АЛУМИНИЕВИЯ ПРЪТ! ТЕ МОГАТ ДА БЪДАТ ПОД ЕЛЕКТРИЧЕСКО НАПРЕЖЕНИЕ И МОЖЕ ДА БЪДЕ МНОГО ОПАСНО.** Продължете да държите ножицата за плет за изолираната задна ръкохватка или я сложете легнала и на разстояние от вас по безопасен начин. Изключете електричеството към повредения проводник или жица, преди да се опитате да освободите режещия нож от проводника или жицата. Контактът с режещия нож или с други електропроводи части на ножицата за плет или с електрически жици или проводници под напрежение ще да доведе до смърт от токов удар или сериозно нараняване.

⚠ ПРЕДУПРЕЖДЕНИЕ: Не позволявайте рутината с този продукт да ви направи непредпазливи. Запомнете, че невнимание за малка част от секундата е достатъчна за да нанесете сериозно нараняване.

⚠ ПРЕДУПРЕЖДЕНИЕ: Винаги носете защита за очите заедно със защита за слуха. Ако не го направите може да доведе до изхвърляне на предмети към очите ви и други възможни сериозни наранявания.

Преди всяка употреба инспектирайте целия продукт за повредени, липсващи или разхлабени части като винтове, гайки, болтове, капачки и др. Затегнете сигурно всички закопчалки и капачки и не работете с този продукт, докато всички повредени или липсващи части са подменени.

⚠ ПРЕДУПРЕЖДЕНИЕ: За да предотвратите сериозно нараняване, извадете акумулаторната батерия от инструмента, преди обслужване, почистване, смяна на приставките или изваждане на материал от устройството.

След всяка употреба почистете инструмента.

Вижте раздел Поддръжка за инструкции за почистване.

ПРИЛОЖЕНИЯ

Може да използвате този продукт за почистване на жив плет, шубраци, диворастящи растения, храсти и други подобни материали, с диаметър на клона по-малък от Ø26 мм.

БЕЛЕЖКА: Инструментът трябва да бъде използван само за предназначенияте цели. Всяка друга употреба се смята за случай на злоупотреба.

ИЗПОЛЗВАНЕ НА НОЖИЦА ЗА ЖИВ ПЛЕТ СЪС ЗАХРАНВАЩА ГЛАВА

⚠ ПРЕДУПРЕЖДЕНИЕ: Облечете се правилно за да намалите риска от нараняване, когато работите с този инструмент. Не носете отпуснати дрехи или бижута. Носете защита за очите и защита за очите/слуха. Носете тежки, дълги панталони, ботуши и ръкавици. Не носете къси панталони или сандали или не ходете бос. Носете маска за лицете или прахова маска при запрашени места.

ПОДГОТОВКА ЗА РЯЗАНЕ:

1. Регулиране на ножа за рязане на желаната работна позиция.
2. Извадете ножицата от ножа за рязане.

3. За безопасна и по-добра работа, поставете ремъка за рамо през рамото си. Регулирайте ремъка за рамо в удобна работна позиция. Следвайте инструкциите в раздел **"МОНТИРАНЕ НА РЕМЪКА ЗА РАМО"** в ръководството на оператора на RH1400E за да монтирате ремъка за рамо към захранващата глава.

⚠ ПРЕДУПРЕЖДЕНИЕ: Ремъкът за рамо, също е механизъм за бързо освобождаване при опасни ситуации. При наличие на аварийна ситуация, незабавно го свалете от рамото си, независимо по кой начин се намира ремъка.

ТЕХНИКИ НА РАБОТА

- **Хоризонтално рязане (с режещия нож под ъгъл):** Режете близо по земята от изправена позиция примерно ниски храсти.

Замахвайте с режещия ножа нагоре и надолу, като се движите през плета - използвайте двете страни на режещия нож, не оставяйте режещия нож на земята (фиг. Н).

- **Хоризонтално рязане (с прав режещ нож):**

Дръжте режещия нож под ъгъл от 0° to 10° като замахвате хоризонтално с ножицата за плет. Замахнете с режещия нож в дъга към външната страна на плета, така че изрязания материал да бъде изметен на земята (фиг. I, J & K).

Препоръки: В тази позиция режете единствено плет, която не е по-висока от височината на гърдите.

- **Вертикално рязане (с режещия нож под ъгъл):**

Рязане без да стоите в непосредствена близост до плета, примерно при цветна леха между оператора и плета.

В тази позиция на рязане, за по-добър контрол върху ножицата за плет от ваша страна, се препоръчва да свържете ножицата за жив плет със захранващата глава в странична позиция за рязане (виж фиг. Е).

Замахнете с режещия нож нагоре и надолу в дъга, като се придвижвате в продължение на плета - използвайте двете страни на режещия нож (фиг. L).

- **Вертикално рязане (с прав режещ нож):**

Изключително дълъг обхват без необходимост от други спомагателни средства.

Замахнете с режещия нож нагоре и надолу в дъга, като се придвижвате в продължение на плета - използвайте двете страни на режещия нож (фиг. M).

- **Рязане отгоре (с режещия нож под ъгъл):**

Дръжте вертикално ножицата за плет и замахнете в дъга за да използвате максимално нейния обхват. (фиг. N). При изключително висок плет, удължителният прът е подходящ за помощ при подрязването.

⚠ ПРЕДУПРЕЖДЕНИЕ: Всяка позиция за работа над височината на главата е изморителна. За да минимизирате рисковете от инциденти, работете в тази позиция за къси периоди от време. Настройте ъгъла на режещия нож на максимум, така че инструментът да може да бъде държан в ниска, по-малко изморителна позиция (с ремъка за рамо), като все още предоставя достатъчен обхват.

ЗА ДА СТАРТИРАТЕ/СПРЕТЕ ИНСТРУМЕНТА

Вижте раздел " **СТАРТИРАНЕ/СПИРАНЕ НА ЗАХРАНВАЩАТА ГЛАВА** " в ръководството на оператора за захранваща глава RH1400E.

ПОДДРЪЖКА

⚠ ПРЕДУПРЕЖДЕНИЕ: Преди инспекция, почистване или обслужване на уреда спрете мотора, изчакайте всички движещи части да спрат и извадете акумулаторната батерия. Неспазването на тези инструкции може да доведе до сериозно нараняване или щети по собствеността.

⚠ ПРЕДУПРЕЖДЕНИЕ: Когато обслужвате, използвайте само идентични резервни части. Употребата на каквито и да е други части може да създаде опасност или да предизвика повреда на продукта. За да осигурите безопасността и надеждността, всички поправки трябва да се извършват от квалифициран сервизен техник.

ОБЩА ПОДДРЪЖКА

Избягвайте употребата на разтворители, когато почиствате пластмасовите части. Повечето пластмасови части са уязвими на повреда от различни видове разтворители в търговската мрежа и може да се повредят от тяхната употреба. Използвайте чист плат, за премахване на мръсотия, прах, масло и т.н.

ПОЧИСТВАНЕ НА УРЕДА

- Използвайте мека четка за да премахнете натрупванията от всички колектори за въздух и режещия нож.
- За да премахнете смолата и други залепващи остатъци, напръскайте ножа с разтворител за смола. Пуснете за кратко мотора, така че разтворителят да бъде равномерно разпределен.

- Не използвайте силен почистващ препарат по пластмасата на корпуса или ръкохватката. Те могат да бъдат повредени от определени ароматни масла като бор и лимон и от разтворители като керосин. Влагата също може да причини токов удар. Избършете всякаква влага със суха мека кърпа. Никога не използвайте вода за почистване на инструмента.

ЗАТОЧВАНЕ НА РЕЖЕЩИЯ НОЖ

Когато производителността на рязане и поведението започнат да се влошават, примерно ножовете често се заклещават в клони: Заточете отново режещите ножове.

Препоръчва се да оставите заточването на режещите ножове на квалифициран сервизен техник.

БЕЛЕЖКА: Не работете с вашата ножица за плет, когато режещите ножове са затлъпени или повредени. Това може да причини претоварване и ще доведе до незадоволителни резултати при рязане.

СМАЗВАНЕ НА НОЖА

За да предотвратите ръжда, се препоръчва да смажете ножовете с антикорозивно масло, когато се съхранява за дълъг период от време.

▲ ПРЕДУПРЕЖДЕНИЕ: Ножовете са остри. Когато работите с устройството на ножа, носете неплъзгащи защитни ръкавици за тежка употреба. Не поставяйте ръката или пръстите си между ножовете или в някоя друга позиция, където могат да бъдат защитипани или срязани. НИКОГА не докосвайте ножовете или не обслужвайте уреда с монтирана акумулаторна батерия.

СМАЗВАНЕ НА ПРЕДАВКИТЕ НА ТРАНСМИСИЯТА

Предавките на трансмисията в предавателната кутия трябва да бъдат периодично смазвани със смазка за редукторни предавки. Проверете нивото на смазката в предавателната кутия след всеки 50 часа работа, като извадите уплътняващия винт на кутията. Има три уплътняващи винта, един от страни и два отгоре.

Ако не може да бъде видяна смазка по страните на редуктора, следвайте долните стъпки за да запълните угрес за редукторни предавки до 3/4 от капацитета.

Не напълвайте изцяло предавките на трансмисията.

1. В зависимост кой винт премахвате, дръжте ножицата за плет от неговата страна или я оставете да легне на задната страна, така че уплътняващият винт, който изваждате да сочи нагоре (фиг. O & P).
2. Използвайте предоставения гаечен ключ за да разхлаете и премахнете уплътняващия винт.

3. Използвайте гресьорка (не е включена) за да вкарате малко грес е отвора на винта, не надвишавайте 3/4 от капацитета.
4. Затегнете уплътняващия винт след гресирането.

СЪХРАНЯВАНЕ НА УРЕДА

- Извадете акумулаторната батерия от инструмента.
- Почистете изцяло инструмента преди да го съхраните.
- Поставете ножицата на режещия нож, преди съхранение или транспорт. Бъдете внимателни за да избегнете остриите зъби на ножовете.
- Ако ножицата за жив плет се извади от захранващата глава и се съхрани отделно, поставете крайната капачка на пръта на приставката, за да избегнете навлизането на мръсотия в съединителното устройство.
- Съхранете уреда в сухо място с добра вентилация, заключен или съхраняван на високо извън достъпа на деца. Не съхранявайте уреда в близост или върху тор, бензин или други химикали.

Опазване на околната среда

Не изхвърляйте електрическо оборудване, зарядно устройство за акумулаторни батерии и батерии/ акумулаторни батерии в домакинския отпадък.



Съгласно европейския закон 2012/19/ЕС, електрическо и електронно оборудване, което повече не може да се използва и съгласно европейското законодателство 2006/66/ЕО, дефектните или използваните акумулаторни батерии/ батерии трябва да се събират отделно.

Ако се изхвърлят електрически уреди в сметища или буница, опасни вещества могат да изтекат в подпочвените води и да попаднат в хранителната верига, като увредят вашето здраве и благосъстояние.

ОТСТРАНЯВАНЕ НА НЕИЗПРАВНОСТИ

ПРОБЛЕМ	ПРИЧИНА	РЕШЕНИЕ
Ножицата за жив плет не работи.	<ul style="list-style-type: none"> ■ Акумулаторната батерия не е прикрепена към ножицата за жив плет. ■ Няма електрически контакт между ножицата за жив плет и батерията. ■ Акумулаторната батерия е изтощена. ■ Бутонът за отключване не е натиснат преди натискане на спусъка. ■ Акумулаторната батерия или захранващата глава са твърде горещи. ■ Ножът е блокиран. ■ Ножицата за жив плет не е добре свързана със захранващата глава. 	<ul style="list-style-type: none"> ■ Закрепете акумулаторната батерия към ножицата за жив плет. ■ Извадете батерията, проверете контактите и поставете наново акумулаторната батерия. ■ Сменете акумулаторната батерия. ■ Натиснете и задръжте лоста за отключване и след това натиснете спусъка за да включите инструмента. ■ Позволете на акумулаторната батерия или на захранващата глава да се охлади, докато температурата спадне под 67°C. ■ Извадете акумулаторната батерия от инструмента. Премахнете внимателно препятствието и след това поставете батерията и рестартирайте инструмента. ■ Извадете ножицата за жив плет от захранващата глава. Свържете ги отново следвайки раздел “МОНТИРАНЕ НА ПРИСТАВКА КЪМ ЗАХРАНВАЩАТА ГЛАВА” в ръководството на оператора за PH1400E.
Прекалени вибрации или шум	<ul style="list-style-type: none"> ■ Сухи или корозирали ножове. ■ Ножовете или основата на ножа е изкривена. ■ Изкривени или повредени зъби. ■ Разхлабени болтове на ножовете. 	<ul style="list-style-type: none"> ■ Смажете ножовете. ■ Подменете с нов нож или основа. Свържете се със сервизен център на EGO за резервен нож или основа. ■ Подменете с нов нож или основа. Свържете се със сервизен център на EGO за резервен нож или основа. ■ Затегнете болтовете на ножа. Използвайте гаечен ключ (не е включен), завъртете болтовете по часовника за да затегнете.

ГАРАНЦИЯ

ГАРАНЦИОННА ПОЛИТИКА EGO

Моля посетете уебсайта egopowerplus.com за пълните условия по гаранционната политика на EGO.

BG

PROČITAJTE UPUTE U CIJELOSTI!



PROČITAJTE KORISNIČKI PRIRUČNIK

⚠️ Preostale opasnosti! Osobe s elektroničkim uređajima poput srčanih elektrostimulatora prije korištenja ovog proizvoda trebaju se posavjetovati sa svojim liječnikom. Rad električne opreme u neposrednoj blizini srčanih elektrostimulatora može prouzročiti smetnju ili kvar srčanog elektrostimulatora.

⚠️ UPOZORENJE! Radi osiguranja sigurnosti i pouzdanosti sve popravke i zamjene treba obavljati kvalificirani servisni tehničar.

SIGURNOSNI SIMBOLI

Svrha sigurnosnih simbola je skretanje pozornosti na moguće opasnosti. Sigurnosni simboli i njihova objašnjenja zahtijevaju vašu potpunu pozornost i razumijevanje. Sami simboli upozorenja ne isključuju opasnost. Upute i upozorenja koja pružaju nisu zamjena za propisne mjere za prevenciju nesreća.

⚠️ UPOZORENJE! Prije korištenja ovog alata pobrinite se da sve upute u ovom korisničkom priručniku, uključujući sve sigurnosne simbole kao što su "OPASNOST", "UPOZORENJE" i "OPREZ" pročitate s razumijevanjem. Zanemarivanje svih uputa navedenih u nastavku može rezultirati strujnim udarom, požarom i/ili teškim tjelesnim ozljedama.

ZNAČENJE SIMBOLA

⚠️ SIGURNOSNI SIMBOL: ukazuje na **OPASNOST, UPOZORENJE ILI OPREZ**. Može se koristiti u kombinaciji s drugim simbolima ili piktogramima.



⚠️ UPOZORENJE! Rukovanje električnim alatima može rezultirati odbacivanjem stranih predmeta u oči što opet može izazvati teška oštećenja očiju. Prije početka rukovanja električnim alatom uvijek nosite zatvorene zaštitne naočale ili zaštitne naočale s bočnim štitnicima, a prema potrebi i štitnik za cijelo lice. Preporučujemo nošenje sigurnosne maske proizvođača Wide Vision preko naočala, ili nošenje standardnih zaštitnih naočala s bočnim štitnicima.

SIGURNOSNE NAPOMENE

Na ovoj stranici slikovno su prikazani i objašnjeni sigurnosni simboli koji se mogu pojaviti na ovom proizvodu. Prije pokušaja sastavljanja i rukovanja s razumijevanjem pročitajte sve upute na stroju i pridržavajte ih se.

	Simbol upozorenja	Ukazuje na potencijalnu opasnost od tjelesnih ozljeda.
	Pročitajte korisnički priručnik.	Radi smanjenja opasnosti od ozljeda, prije korištenja ovog proizvoda korisnik treba s razumijevanjem pročitati ovaj korisnički priručnik.
	Nosite zaštitu za oči	Kada rukujete ovim proizvodom, uvijek nosite zatvorene zaštitne naočale ili zaštitne naočale s bočnim štitnicima i štitnik za cijelo lice.
	Nosite zaštitu za glavu.	Radi zaštite glave nosite odobrenu sigurnosnu kacigu.
	Nosite zaštitu za sluh.	Kada rukujete ovim proizvodom, uvijek nosite zaštitu za sluh.
	Duljina oštrice	Dužina noža
	Kapacitet rezanja	Maks. kapacitet rezanja noža

	Ruke i stopala držite podalje od alata za rezanje	Nikada ne pokušavajte upravljati električnim alatom koristeći samo jednu ruku. Gubitak kontrole pri radu s električnim alatom može rezultirati ozbiljnom ili kobnom ozljedom. Da biste smanjili rizik od ozljeda, držite ruke i noge podalje od alata za rezanje. Pokretni alat za rezanje nikada nemojte učvršćivati rukom ili bilo kojim drugim dijelom tijela.
	Promatrače držite na udaljenosti.	Pobrnite se da druge osobe i kućni ljubimci ostanu najmanje 15 m udaljeni od šišača živice kada je u uporabi.
	Ne izlažite kiši.	Proizvod ne koristite na kiši ili ne ostavljajte ga na otvorenom kada pada kiša.
IPX4	IP simbol	Zaštita od prodora vode, 4. stupanj
	CE	Ovaj proizvod je u skladu s primjenjivim Direktivama EU.
	WEEE	Otpadni električni proizvodi ne smiju se odlagati s otpadom iz kućanstva. Odnosite ih u ovlašteni centar za reciklažu.
	Buka	Zajamčena razina zvučne snage: emisija buke u okruženju u skladu je s Direktivom Europske unije.
V	Milimetar	Duljina ili dimenzija
mm	Volt	Napon
cm	Centimetar	Duljina ili dimenzija
kg	Kilogram	Masa

VAŽNE SIGURNOSNE UPUTE

⚠ UPOZORENJE! Kada koristite električne vrtno aparate potrebno je uvijek pridržavati se osnovnih mjera opreza kako bi se smanjio rizik od požara, strujnog udara i tjelesnih ozljeda, uključujući sljedeće:

POZORNO PROČITAJTE PRIJE UPORABE.

SAČUVAJTE ZA BUDUĆE POTREBE.

⚠ OPASNOST! Ne koristite alat u blizini električnih vodova. Jedinica nije predviđena za pružanje zaštite od strujnog udara u slučaju doticaja s nadzemnim električnim vodovima. Pridržavajte se lokalnih propisa za sigurne razdaljine od nadzemnih električnih vodova i prije rukovanja alatom osigurajte siguran radni položaj.

SIGURNOSNA UPOZORENJA U POGLEDU ŠIŠAČA ŽIVICE

⚠ OPASNOST! Držite ruke podalje od noža. Kontakt s nožem rezultirat će ozbiljnim tjelesnim ozljedama.

- Sve dijelove tijela držite podalje od rotirajućeg noža. Kada se oštrice kreću, ne uklanjajte odrezani materijal ili ne držite materijal koji je potrebno rezati. Kada uklanjate zaglavljene materijal, uvjerite se da je sklopka u isključenom položaju. Trenutak nepažnje tijekom rada sa šišačem živice može rezultirati teškim tjelesnim ozljedama.
- Na strojevima s određenim transportnim položajem (rezni nož naslonjena na rezu osovinu): Nikada nemojte pokretati stroj u transportnom položaju, budući da u tom položaju noževi nisu ispravno okrenuti i zbog toga ne možete vizualno provjeriti dali će se zaustaviti u praznom hodu kada počnete podešavati nož na željeni položaj rezanja (kada su noževi ispravno okrenuti).
- Šišač živice nosite za dršku s reznim nožem u zaustavljenom položaju. Kada šišač živice transportirate ili skladištite, uvijek postavite štitnik. Pravilno rukovanje šišačem živice smanjuje moguću osobnu ozljedu reznim noževima.
- Prilikom podizanja ili držanja šišača živice nemojte hvatati izložene rezne noževe ili rezne rubove.
- Električni alat držite samo za izolirane površine za držanje jer rezni nož može biti u dodiru sa skrivenim ožičenjem. Ukoliko su rezni noževi u dodiru s kabeom pod naponom, postoji opasnost da izloženi metalni dijelovi električnog alata također budu pod naponom, uslijed čega rukovatelj može doživjeti strujni udar.
- Držite kabel dalje od područja rezanja. Tijekom rada kabel može biti skriven u grmovima i može ga se slučajno odrezati nožem.

- Prije rada provjerite živicu u pogledu stranih predmeta, npr. žičane ograde.
- Kako biste smanjili rizik od ozljeda uslijed gubitka kontrole, budite potpuno sigurni ste dovoljno odvojeni od reznog noža te da on nije u blizini drugih prepreka i predmeta, uključujući tlo, jer kada alat počinje, brzina motora će biti dovoljno brzo za uključivanje i premještanje rezne oštrice na alatu.
- Ne dopuštajte drugim osobama da dolaze u radno područje. Pobrinite se da druge osobe i kućni ljubimci ostanu najmanje 15 m udaljeni od šišača živice kada je u uporabi.
- Nikad ne dopuštajte djeci da rade sa šišačem živice.
- Prilikom rada sa šišačem živice upotrijebite obje ruke. Rad s jednom rukom može uzrokovati gubitak kontrole i ozbiljne tjelesne ozljede.
- Nemojte se pretjerano naginjati. Cijelo vrijeme održavajte odgovarajuće držanje i ravnotežu. Posebna pažnja potrebna je u skliskim uvjetima (vlažna zemlja, snijeg) i na teškom, zaraslom terenu. Pazite na skrivene prepreke poput drveća, korijenja i jaraka kako biste izbjegli padanje grana, graničica i reznica. Budite vrlo oprezni pri radu na padinama ili neravnom terenu.
- Stroj nemojte koristiti na ljestvama, krovu, stablu ili drugoj nestabilnoj podlozi. Stabilna podloga na čvrstoj površini omogućuje bolju kontrolu rezanja živice u neočekivanim situacijama.
- Uvijek gledajte rezne noževe - nemojte rezati bilo koji dio živice koji ne možete vidjeti. Prilikom rezanja vrha veće živice, često provjeravajte drugu stranu živice u pogledu promatrača, životinja i prepreka.
- Provjerite oštećene dijelove prije daljnjeg korištenja šišača. Provjerite jesu li pokretni dijelovi centrirani i spojeni, ima li polomljenih dijelova, jesu li dijelovi montirani i postoji li stanje koje može negativno utjecati na rad uređaja.
- Provjerite pričrpsne vijke noževa i motora u čestim intervalima, u pogledu odgovarajuće zategnutosti. Također, vizualno pregledajte nož u pogledu oštećenja (npr. savinuća, napuknuća i istrošenosti). Nož mijenajte samo drugom originalnim nožem EGOTM.
- Zamijenite nož ako je savijen ili napuknut. Neuravnoteženi nož uzrokuje vibracije koje mogu oštetiti pogonski motor ili uzrokovati ozljede osoba.
- Ako oprema počne neuobičajeno vibrirati, zaustavite motor i odmah potražite uzrok. Vibracije u pravilu ukazuju na problem.
- Šišač se treba koristiti za rezanje graničica kraćih od 26 mm.

- Šišač koristite samo pri dnevnom svjetlu ili dobrom umjetnom osvjetljenju.
- Ne koristite šišač za živicu po kiši.

DODATNA UPOZORENJA

- **Komplet baterija nemojte puniti na kiši ili mokrim mjestima.**
Upotrebljavajte samo s baterijskim modulima i punjačima koji su navedeni na sl. A.
Prije odlaganja uređaja na otpad komplet baterija potrebno je izvaditi iz uređaja.
- Bateriju je potrebno zbrinuti na siguran način.
- **Ne odlažite bateriju u vatru.** Čelije mogu eksplodirati. Za upute o mogućem posebnom odlaganju provjerite lokalne propise.
- **Ne otvarajte i ne razdvajajte bateriju.** Oslobođeni elektrolit je korozivan i može oštetiti oči ili kožu. U slučaju gutanja može biti otrovan.
- **OPREZ!** Elektrolit je razrijeđena sumporna kiselina koja je štetna za kožu i oči. Električno je vodljiva i korozivna.
- **Budite oprezni pri rukovanju baterijama kako biste izbjegli kratko spajanje baterije s vodljivim materijalima, kao što su prsteni, narukvice i ključevi.** Baterija ili provodnik mogu se pregrijati i prouzročiti opekline.
- **Baterijske alate nije potrebno uključivati u električnu utičnicu, stoga su uvijek u radnom stanju.** Imajte na umu moguće opasnosti čak i kada alat ne radi. Budite oprezni pri obavljanju radova održavanja ili servisiranja.
- **Uklonite komplet baterija prije servisiranja, čišćenja ili uklanjanja materijala s alata.**
- **Zamjenski dijelovi** - Pri servisiranju koristite samo identične zamjenske dijelove proizvođača EGO. Korištenje drugog pribora ili priključka može povećati opasnost od ozljeda.
- **Servisiranje strojnog alata prepustite kvalificiranom osoblju za popravak koje koristi samo identične zamjenske dijelove.** Time će se osigurati održavanje sigurnosti strojnog alata.
- **Uređaj ne perite sa crijevom; izbjegavajte da voda dospje u motor i električne priključke**
- **Spremite alat na suhom i na visokom ili zaključanom mjestu izvan dosega djece.**
- **Ako se pojave situacije koje nisu obuhvaćene ovim priručnikom, postupite oprezno i uz dobru procjenu. Za pomoć se obratite servisnom centru proizvođača EGO.**

- **Sačuvajte ove upute.** Koristite upute često i koristite ih za upućivanje drugih osoba koje mogu koristiti ovaj alat. Ako ovaj alat nekom posudite, posudite i ove upute radi sprečavanja neispravnog korištenja proizvoda i mogućih ozljeda.

SACUVAJTE OVE UPUTE.

NAPOMENA: ZA DODATNE POSEBNE SIGURNOSNE PROPISE POGLEDAJTE KORISNIČKI PRIRUČNIK POGONSKE JEDINICE.

TEHNIČKI PODACI

Duljina oštrice	51 cm	
Kapacitet rezanja	26 mm	
Masa (bez kompleta baterija)	2,20 kg	
Preporučena radna temperatura	0 °C - 40 °C	
Preporučena temperatura skladištenja	-20 °C - 70 °C	
Izmjerena razina zvučne snage L_{WA}	92,3 dB(A) K=2,72 dB(A)	
Razina zvučnog tlaka kod uha rukovatelja L_{PA}	80,4 dB(A) K=3 dB(A)	
Zajamčena razina zvučne snage L_{WA} (izmjereno sukladno Direktivi 2000/14/EZ)	95 dB(A)	
Procjena vibracija a_h :	Prednji pomoćni rukohvat	4,9 m/s ² K=1,5 m/s ²
	Stražnji rukohvat	6,7 m/s ² K=1,5 m/s ²

- Gore navedeni parametri ispitani su i izmjereni za stroj opremljen pogonskom jedinicom;
- Deklarirane ukupne vrijednosti vibracija izmjerene su u skladu sa standardnom metodom ispitivanja i mogu se koristiti za usporedbu jednog alata s drugim.
- Deklarirane ukupne vrijednosti vibracija mogu se koristiti i u preliminarnoj procjeni izloženosti.

NAPOMENA: emisija vibracija tijekom aktualnog korištenja električnog alata može se razlikovati od deklarirane vrijednosti u kojoj se alat koristio; Radi zaštite rukovatelja korisnik treba nositi rukavice i štitnike za uši u aktualnim uvjetima korištenja.

SADRŽAJ PAKIRANJA

NAZIV DIJELA	KOLIČINA
Priključak šišača živice	1
Ključ	1
Štitnik noža	1
Korisnički priručnik	1

OPIS

UPOZNAJTE PRIKLJUČAK ŠIŠAČA ŽIVICE (sl. A)

1. Rezni nož
2. Kvadrant
3. Aktivator
4. Osovina šišača živice
5. Mekani naglavak
6. Krajnja kapica
7. Ručica za podešavanje
8. Kućište prijenosnika
9. Ključ
10. Štitnik noža
11. Štitnik vrha (opcionally, PRODAJE SE ZASEBNO)

SASTAVLJANJE

⚠ UPOZORENJE! Ako je bilo koji dio oštećen ili ako nedostaje, ne koristite ovaj proizvod dok ne zamijenite dijelove. Korištenje ovog proizvoda oštećenih dijelova ili dijelova koji nedostaju može rezultirati teškim tjelesnim ozljedama.

⚠ UPOZORENJE! Ne pokušavajte obavljati preinake na ovom proizvodu ili raditi pribor koji nije preporučen za uporabu s ovim šišačem živice. Sve takve izmjene ili preinake predstavljaju nepropisno korištenje i mogu rezultirati opasnim stanjima koja mogu dovesti do mogućih teških tjelesnih ozljeda.

⚠ UPOZORENJE! Priključak nikada ne pričvršćujte ili ne podešavajte dok pogonska jedinica radi ili kada je baterija postavljena. Zanemarivanje zaustavljanja motora i uklanjanja baterije može rezultirati teškim tjelesnim ozljedama.

PODEŠAVANJE REZNOG NOŽA

Kada se šišač za živicu izvadi iz pakiranja, on je presavijen je u položaju za pohranu u kojem se nož nalazi na osovini (sl. B). Preporučljivo je podesite rezni nož na odgovarajući radni položaj prije nego ga pričvrstite na glavu za pokretanje.

Postoji 12 mogućih radnih položaja. Kut noža za rezanje može se podešiti prema gore u 5 položaja stupnjeva od 0° do 45°, uključujući 0° a prema dolje u 7 položaja stupnjeva od 0° do 90° (desni kut okrenut prema dolje) (sl. C) ne uključujući 0°.

1. Pritisnite aktivator na ručici za podešavanje i u međuvremenu zakrenite polugu za podešavanje reznog noža do željenog položaja za rezanje (slika D).
2. Kada postignete željeni položaj, otpustite aktivator. Zvučni klik označava da je se klin za blokiranje uvrstio u kvadrant, na njegovo mjesto (slika D).

Opis dijelova na sl. D pogledajte u nastavku:

D-1	Kvadrant
D-2	Klin za blokiranje

⚠ UPOZORENJE! Kako biste smanjili opasnost od ozljeda, podešavanje obavljajte samo kada rezni noževi miruju. Tijekom podešavanja nikada ne dodirujte noževe.

⚠ UPOZORENJE! Da biste smanjili opasnost od ozljeda, uvijek zaustavite alat i učvrstite rezni nož prije premještanja reznog noža u položaj za pohranu ili iz položaja za pohranu u normalni radni položaj.

SPAJANJE/ODSPAJANJE PRIKLJUČKA ŠIŠAČA ŽIVICE NA POGONSKI MOTOR

Ovaj priključak šišača živice predviđen je za uporabu s pogonskim motorom s LITIJ-IONSKOM baterijom 56 V PH1400E proizvođača EGO. Osim vršnog rezanja, na osovini šišača živice nalazi se bočni položaj za spajanje s pogonskog motora (sl. E). Pojednosti o tehnikama rada nalaze se u odjeljku „RADNE TEHNIKE“ u ovom priručniku.

Opis dijelova na sl. E pogledajte u nastavku:

E-1	Gornji rezni položaj
E-2	Bočni rezni položaj

Za spajanje šišača živice na pogonsku glavu pogledajte odjeljak pogonske glave motora PH1400E „SPAJANJE PRIKLJUČKA NA POGONSKU GLAVU“ u korisničkom priručniku.

Za odsjajanje šišača živice s pogonske glave pogledajte odjeljak pogonske glave motora PH1400E „ODSPAJANJE PRIKLJUČKA S POGONSKE GLAVE“ u korisničkom priručniku

POSTAVLJANJE ŠTITNIKA VRHA (opcionarno)

1. Da biste uklonili kratki vijak, ravnu podlošku, čahuru i maticu na kraju reznog noža koristite šesterokutni ključ od (sl. F). Spremite ravnu podlošku, čahuru i maticu za ponovno sastavljanje.

Opis dijelova na sl. F pogledajte u nastavku:

F-1	Matica	F-3	Ravna podloška
F-2	Čahura	F-4	Kratki vijak

2. Poravnajte štitnik vrha s izbočinom na reznom nožu i postavite ga na mjesto. Učvrstite ga novim dugim vijkom i maticom, kao i spremljenom podloškom, čahuram i maticom (sl. G).

Opis dijelova na sl. G pogledajte u nastavku:

G-1	Matica	G-4	Čahura
G-2	Štitnik vrha	G-5	Ravna podloška
G-3	Matica	G-6	Dugi vijak

RAD

⚠ OPASNOST! Nikada ne režite u blizini strujnih vodova, električnih kabela ili drugih električnih izvora. Ako se vodilica ili lanac zaglave u električni kabel ili vod, **NE DOTIČITE VODILICU, LANAC ILI ALUMINIJSKU ŠIPKU! ONI MOGU POSTATI ELEKTRIČNO VODLJIVI I VRLO OPASNI.** Šišač živice nastavite držati za izoliranu stražnju dršku ili ga na siguran način položite na tlo i podalje od sebe. Prije pokušaja oslobađanja reznog noža iz električnog voda ili kabela isključite strujno napajanje oštećenog voda ili kabela. Kontakt s reznim nožem, drugim vodljivim dijelovima šišača živice ili električnim kablama ili vodovima pod naponom može rezultirati smrću ili teškim ozljedama uslijed strujnog udara.

⚠ UPOZORENJE! Nemojte dopustiti da vas poznavanje ovog proizvoda učini nepažljivim. Imajte na umu da je za nanošenje teških ozljeda dovoljan samo djelić sekunde nepažnje.

⚠ UPOZORENJE! Uvijek nosite zaštitu za oči i sluh. Nepostupanje u skladu s tim može rezultirati odbacivanjem predmeta u oči i drugim mogućim teškim ozljedama.

Prije svake uporabe pregledajte cijeli proizvod u pogledu oštećenja, dijelova koji nedostaju ili odvojenih dijelova kao što su vijci, matice, svornjaci, kapice i sl. Dobro pritegnite sve pričvrstne elemente i kapice i ne koristite proizvod dok se svi dijelovi koji nedostaju ili oštećeni dijelovi ne zamijene.

⚠ UPOZORENJE! Radi sprečavanja teških tjelesnih ozljeda, prije servisiranja, čišćenja, promjene priključaka ili uklanjanja materijala iz jedinice izvadite komplet baterija iz alata.

Šišač živice očistite nakon svake uporabe.

Za upute o čišćenju pogledajte poglavlje o održavanju.

PRIMJENE

Ovaj proizvod možete koristiti za rezanje živica, grmova, grančica, grmlja i sličnih materijala s promjerom grana manjim od Ø26 mm.

NAPOMENA: alat se smije koristiti samo za prethodno opisanu namjenu. Svaka druga uporaba smatra se nepropisnom uporabom.

UPORABA ŠIŠAČA ŽIVICE S POGONSKOM GLAVOM

⚠ UPOZORENJE! Obucite se propisno kako biste smanjili rizik od ozljeda tijekom rukovanja alatom. Ne nosite široku odjeću ili nakit. Nosite zaštitu za oči i uši/ sluh. Nosite jake duge hlače, čizme i rukavice. Nemojte nositi kratke hlače ili sandale ili biti bosonogi. U prašnjavim područjima nosite zaštitnu masku za lice ili masku za zaštitu od prašine.

PRIPREMA ZA REZANJE:

1. Podešavanje rezne glave u željeni radni položaj.
2. Uklonite štitičnik noža s reznog noža.
3. Za siguran i bolji rad preko ramena stavite ramenu traku. Podesite ramenu traku u ugodan radni položaj. Za postavljanje trake za rame na pogonsku glavu slijedite upute za postavljanje navedene u korisničkom priručniku PH1400E u odjeljku „POSTAVLJANJE TRAKE ZA RAME“.

⚠ UPOZORENJE! Ramena traka je i mehanizam za brzo otpuštanje u opasnim situacijama. U slučaju nužde traku za rame odmah skinite s ramena, bez obzira na koji način.

TEHNIKE RADA

■ Vodoravno rezanje (s reznim nožem pod kutom):

Režite u blizini tla, u stojećem položaju, npr. nisko grmlje.

Naginjte rezni nož prema gore i dolje dok se krećete uz živicu - koristite obje strane reznog noža, nemojte rezni nož polagati na tlo (sl. H).

■ Vodoravno rezanje (s ravno postavljenim reznim nožem):

Držite rezni nož pod kutom od 0° do 10° dok naginjete šišač živice vodoravno. Naginjte rezni nož u luk prema vanjskim stranama živice, tako da se reznice povijaju prema tlu (sl. I, J i K).

Preporuka: U ovom radnom položaju režite samo živice koje nisu niže od visine prsa.

■ Okomito rezanje (s reznim nožem pod kutom):

Režite baz da stojite neposredno uz živicu, npr. red cvijeća između rukovatelja i živice.

U ovom položaju za rezanje, za bolju kontrolu rezanja živice, preporučljivo je spajanje šišača živice s pogonskom glavom u bočnom položaju za rezanje (pogledajte sl. E).

Naginjte rezne noževe gore i dolje u luku kako se krećete duž živice - koristite obje strane reznog noža (sl. L).

■ Okomito rezanje (s ravnim reznim nožem):

Posebno dugi doseg bez potrebe za drugim pomagalicama.

Naginjte rezni nož gore i dolje u luku kako se krećete duž živice - koristite obje strane reznog noža (sl. M).

■ Rezanje iznad glave (s reznim nožem pod kutom)

Držite šišač živice okomito i zakrećite ga u luku da biste maksimalno iskoristili svoj doseg (sl. N). Za posebno visoke živice, prikladan je produžni štap kao pomagalo za podrezivanje.

⚠ UPOZORENJE! Svaki radni položaj iznad visine glave je naporan. Da biste smanjili rizik od nezgoda, radite na takvim mjestima samo kratka vremenska razdoblja. Postavite kut podesivog reznog noža do maksimuma tako da se alat može držati u nižem, manje napornom položaju (s trakom za rame), a pritom osiguravajući odgovarajući doseg.

POKRETANJE/ZAUSTAVLJANJE ALATA

Pogledajte poglavlje "POKRETANJE/ZAUSTAVLJANJE POGONSKJE GLAVE" u korisničkom priručniku pogonske glave PH1400E.

ODRŽAVANJE

⚠ UPOZORENJE! Prije pregleda, čišćenja ili servisiranja jedinice, zaustavite motor, pričekajte da se svi pokretni dijelovi zaustave i izvadite komplet baterija. Zanemarivanje ovih uputa može rezultirati teškim tjeslesnim ozljedama ili materijalnim štetama.

⚠ UPOZORENJE! Pri servisiranju koristite samo identične zamjenske dijelove. Korištenje drugih dijelova može izazvati opasnost ili prouzročiti oštećenje proizvoda. Radi osiguranja sigurnosti i pouzdanosti sve popravke treba obavljati kvalificirani servisni tehničar.

OPĆE ODRŽAVANJE

Pri čišćenju plastičnih dijelova izbjegavajte koristiti otapala. Većina plastika podložne su oštećenju od različitih vrsta komercijalnih otapala i mogu se oštetiti u slučaju njihovog korištenja. Za uklanjanje nečistoće, prašine, ulja, masti i sl. koristite čiste krpe.

ČIŠĆENJE JEDINICE

- Za uklanjanje ostataka sa svih otvora za zrak i s reznog noža koristite meku četku.
- Da biste uklonili smolu i druge ljepljive ostatke, poprskajte nož otapalom za smolu. Pokrenite motor kratko tako da se otapalo ravnomjerno rasporedi.

- Za čišćenje plastičnog kućišta ili rukohvata ne koristite jake deterdžente jer mogu ih oštetiti neka aromatična ulja, kao što su borovo i limunovo ulje i otapala kao što je kerozin. Vлага može izazvati opasnost od strujnog udara. Vlažna mjesta obrišite mekanom suhom krpom. Za čišćenje alata nikada ne koristite vodu.

OŠTRENJE REZNOG NOŽA

Kada učinkovitost i rad rezanja počne slabjeti, tj. noževi se često zaglave na granama: Ponovno naoštrite rezni nož.

Preporuča se da rezni nož oštiri kvalificirani servisni tehničar.

NAPOMENA: Nemojte raditi sa šišačem živice s tupim ili oštećenim reznim nožem. To može uzrokovati preopterećenje i neće rezultirati zadovoljavajućim rezultatima rezanja.

PODMAZIVANJE NOŽA

Kada se alat pohranjuje na dulje vrijeme kako bi se spriječila hrđa, preporuča se podmazivanje noža antikorozivnim uljem.

⚠ UPOZORENJE! Nož je oštar. Prilikom rukovanja sklopom noža nosite zaštitne rukavice koje se ne kliču, za teške radne uvjete. Ne stavljajte ruke ili prste između oštrica noža ili na bilo koje mjesto gdje bi moglo doći do štipanja ili rezanja. **NIKADA** nemojte dodirivati nož ili servisirati uređaj dok je postavljena akumulatorska baterija.

PODMAZIVANJE PRIJENOSNIKA

Zupčanike prijenosa u kućištu potrebno je povremeno podmazivati mašću za prijenosnike. Razinu masti u kućištu prijenosnika provjeravajte svakih 50 radnih sati uklanjanjem brtvenog vijka na strani kućišta. Postoje tri vijka za brtvljenje, jedan bočno i dva na vrhu.

Ako se na bočnim stranama prijenosnika ne vidi mast, za punjenje s mašću za prijenosnike do 3/4 zapremine slijedite korake u nastavku.

Prijenosnik nemojte puniti u cijelosti.

1. Ovisno o tome koji vijak uklonite, držite šišač živice bočno ili ga postavite na njegovu pozadinu, tako da brtveni vijak, koji treba ukloniti, bude okrenut prema gore (sl. O i P).
2. Za otpuštanje i uklanjanje brtvenog vijka koristite isporučeni ključ.
3. Za ubrizgavanje masti kroz otvor vijka koristite brizgaljku za mast (nije u sadržaju isporuke); ne prekoračujte 3/4 zapremine.
4. Brtveni vijak pritegnite nakon ubrizgavanja.

SKLADIŠTENJE JEDINICE

- Izvadite komplet baterija iz alata.
- Prije skladištenja temeljito očistite alat.
- Prije pohrane ili transportiranja postavite kopču noža na rezni nož. Budite oprezni kako biste izbjegli oštre zube noža.
- Ako se priključak šišača živice uklanja s pogonskog motora i pohranjuje zasebno, na osovinu priključka stavite završnu kapicu, kako biste izbjegli da nečistoća dospije u spojku.
- Jedinicu skladištite na suhom, dobro prozračenom mjestu koje je moguće zaključati ili koje je na visini izvan dohvata djece. Jedinicu nemojte skladištiti na gnojivima, benzinu ili drugim kemikalijama ili u njihovoj blizini.

Zaštita okoliša



Električnu opremu, punjač baterije i baterije/punjive baterije ne odlažite u otpad iz kućanstva!

Prema Europskoj Direktivi 2012/19/EU o električnoj i elektroničkoj opremi koja više nije iskoristiva i prema Europskoj Direktivi 2006/66/EZ neispravne ili iskorištene kompletne baterija/baterije potrebno je sakupljati zasebno.

Ako se električni uređaji odlažu na odlagališta otpada ili deponije, opasne tvari mogu iscurjeti u podzemne vode i dospjeti u lanac ishrane, oštećujući tako vaše zdravlje i blagostanje.

OTKLANJANJE POGREŠKI

PROBLEM	UZROK	RJEŠENJE
Šišač živice ne radi.	<ul style="list-style-type: none"> ■ Komplet baterija nije učvršćen na šišač živice. ■ Nema električnog kontakta između šišača i baterije. ■ Komplet baterija je ispražnjen. ■ Gumb za deblokadu nije pritisnut prije pritiska na okidač. ■ Komplet baterija ili pogonska jedinica je previše vruća/a. ■ Nož je zaglavljen. ■ Šišač živice nije dobro spojen na pogonsku glavu. 	<ul style="list-style-type: none"> ■ Pričvrstite komplet baterija na šišač živice. ■ Izvadite bateriju, provjerite kontakte i ponovno stavite komplet baterija. ■ Napunite komplet baterija. ■ Pritisnite ručicu za blokadu i držite je pritisnutom, a zatim pritisnite aktivator kako biste uključili šišač živice. ■ Pričekajte da se komplet baterija ili pogonska jedinica ohlade na temperaturu ispod 67 °C. ■ Izvadite komplet baterija iz alata. Pažljivo uklonite prepreku, zatim ponovno umetnite bateriju i ponovno pokrenite alat. ■ Odspojite šišač živice od pogonske glave. Ponovno ih spojite slijedeći upute navedene u korisničkom priručniku PH1400E u odjeljku „POSTAVLJANJE PRIKLJUČKA NA POGONSKU GLAVU“.
Prekomjerne vibracije ili buka.	<ul style="list-style-type: none"> ■ Suh ili korodiran nož. ■ Oštrice ili držač noža su savijeni. ■ Savijeni ili oštećeni zupci. ■ Otpušteni vijci noža. 	<ul style="list-style-type: none"> ■ Podmažite nož. ■ Zamijenite novim držačem noža. Za zamijenske dijelove se obratite ovlaštenom servisnom centru tvrtke EGO. ■ Zamijenite novim držačem noža. Za zamijenske dijelove se obratite ovlaštenom servisnom centru tvrtke EGO. ■ Zategnite vijke noža. Pomoću ključa od, (nije isporučen), da biste zategnuli okrenite vijak u smjeru kazaljke sata.

JAMSTVO

JAMSTVENA POLITIKA PROIZVOĐAČA EGO

Za cjelokupne uvjete jamstvene politike proizvođača EGO posjetite internetsku stranicu egopowerplus.com.

სრულად გაეცანით ინსტრუქციას!



გაეცანით მომხმარებლის ინსტრუქციას

▲ არსებული რისკი! პიროვნებებმა ისეთი ელექტრული მოწყობილობებით, როგორცაა იმპლანტირებული დეფიბრილატორი, უნდა მიმართონ პირად ექიმს რჩევისთვის ამ პროდუქტის გამოყენებამდე. იმპლანტირებულ დეფიბრილატორთან უშუალო სიახლოვეს ელექტრული მოწყობილობის ოპერირებამ შესაძლოა დეფიბრილატორს ხელი შეუშალოს მუშაობაში ან გათიშოს იგი.

▲ გაფრთხილება: ხელსაწყოს უსაფრთხოდ და გამართულად მუშაობისთვის საჭიროა მისი ყველა შეკეთება და ნაწილის შეცვლა შესრულდეს კვალიფიციური სერვისის ტექნიკოსის მიერ.

უსაფრთხოების წესის სიმბოლოები

უსაფრთხოების წესის სიმბოლოების მიზანია მიაქციოთ ყურადღება შესაძლო საფრთხეებს. ყურადღებით გაეცანით და შეისწავლეთ უსაფრთხოების წესის სიმბოლოები და მათი შესაბამისი განმარტებები. უსაფრთხოების წესის სიმბოლოების მინიმუმები თავისთავად არ ანეიტრალებს რაიმე საფრთხის არსებობის რისკს. მათ მიერ მოწოდებული ინსტრუქციები და გაფრთხილებები არ არიან შემთხვევის თავიდან აცილების სწორი პროცედურის შემცველები.

▲ გაფრთხილება: ხელსაწყოს გამოყენებამდე დაწვრილებით გაეცანით და შეისწავლეთ ყველა უსაფრთხოების წესი მომხმარებლის ამ ინსტრუქციაში, მათ შორის ყველა უსაფრთხოების წესის სიმბოლო როგორცაა „საშიშროება“, „გაფრთხილება“ და „ყურადღება“. ქვემოთ ჩამოთვლილი ყველა ინსტრუქციის უგულებელყოფამ შესაძლოა გამოიწვიოს ელექტრული შოკი, ხანძარი და/ან მოგაყენოთ სერიოზული პირადი ზიანი.

სიმბოლოების მნიშვნელობა

▲ უსაფრთხოების შეტყობინების სიმბოლო: აღნიშნავს - „საშიშროება“, „გაფრთხილება“ ან „ყურადღება“. შესაძლოა გამოყენებულ იქნას სხვა სიმბოლოებთან ან პიქტოგრამებთან ერთად.




▲ გაფრთხილება: ელექტრული ხელსაწყოს გამოყენებისას შესაძლოა უცხო სხეულის თვალის მიდამოში მოხვედრა, რამაც შესაძლოა გამოიწვიოს თვალის მნიშვნელოვანი დაზიანება. ელექტრული ხელსაწყოს გამოყენებამდე აუცილებლად მოირგეთ უსაფრთხოების თვალსაფარი ან სათვალე მყარი თვალის დამცავებით და მთლიანი სახის ეკრანით. ჩვენ რეკომენდაციას ვუწვევთ ფართო ხედვის არის მქონე უსაფრთხოების ნიღაბს სათვალეებთან ერთად ან სტანდარტულ გვერდითა ეკრანების მქონე უსაფრთხოების სათვალეებს.

უსაფრთხოების წესის ინსტრუქცია

ეს გვერდი აჩვენებს და აღწერს იმ უსაფრთხოების წესის სიმბოლოებს, რომლებიც შესაძლოა აღბეჭდილია მოცემულ პროდუქტზე. წაიკითხეთ, შეისწავლეთ და მიყევით ხელსაწყოს ყველა ინსტრუქციას მის აწყობამდე და ჩართვამდე.

	უსაფრთხოების ნი-შანი	აღნიშნავს შესაძლო პირადი ზიანის საფრთხეს.
	გაეცანით მომხმარებლის ინსტრუქციას	დაზიანების რისკის შესამცირებლად მომხმარებელმა უნდა წაიკითხოს და გაეცნოს ხელსაწყოს მუშაობის ინსტრუქციას მის გამოყენებამდე.
	გაიკეთეთ თვალ-ების დამცავი	ყოველთვის მოირგეთ უსაფრთხოების თვალსაფარი ან გვერდითა ეკრანების მქონე უსაფრთხოების სათვალე და მთლიანი სახის ეკრანი ხელსაწყოთი სარგებლობისას.
	გაიკეთეთ თავის დამცავი საშუალება	გამოიყენეთ აპრობირებული მყარი ჩაფხუტი, რათა დაიცვათ თავის არე.
	გაიკეთეთ თვალ-ების დამცავი	ყოველთვის გაიკეთეთ ყურების დამცავი ხელსაწყოთი სარგებლობისას.
	დანის სიგრძე	დანის სიგრძე
	ჭრის უნარი	დანის მაქს. ჭრის უნარი

	მოარი-დეთ ხელები და ფეხ-ები მჭრელ ნაწილ-ებს	არასოდეს შეეცადოთ ელექტრული ხელსაწყოთი ხელით გამოყენებას. ამან შესაძლოა გამოიწვიოს ხელსაწყოზე კონტროლის დაკარგვა და მოგაყენოთ სერიოზული ან ფატალური ზიანი. დაზიანების რისკის შესამცირებლად მოარიდეთ ხელები და ფეხები მჭრელ ნაწილებს. არასოდეს მიახლოდეთ ხელსაწყოთი ხელით ან სხეულის სხვა ნაწილით.
	მოარი-დეთ ს-ხვა ადამიან-ები	დარწმუნდით რომ სხვა ადამიანები ან შინაური ცხოველები იმყოფებიან მინიმუმ 15 მ მოშორებით ბუჩქის საკრეკით სარგებლობისას.
	არ მოათ-ავსოთ ხ-ელს-აწყო წვიმი-ს ქვეშ	არ გამოიყენოთ წვიმაში ან დატოვოთ გარეთ წვიმის დროს.
IPX4	IP სიმბო-ლოებით	მე-4-ე ხარისხის დაცვა წყლის შეღწევისგან
CE	CE	ხელსაწყო შეესაბამება ევროკავშირის მიერ წამოყენებულ რეგულაციებს.
	WEEE	ელექტრული ხელსაწყოების უტილიზაცია არ უნდა მოხდეს საყოფაცხოვრებო ნარჩენებთან ერთად. წაიღეთ ხელსაწყო ავტორიზირებულ ნარჩენების გადამამუშავებელთან.

	ხმაური	გარანტირებული ხმის სიმძლავრის დონე. გარემოში ხმაურის გავრცელების დონე ევროკავშირის რეგულაციების შესატყვისია.
V	ვოლტი	ძაბვა
mm	მილი-მეტრი	სიგრძე ან ზომა
cm	სანტი-მეტრი	სიგრძე ან ზომა
kg	კილოგრამი	წონა

მნიშვნელოვანი უსაფრთხოების ინსტრუქციები

▲ გაფრთხილება! მებაღეობაში გამოყენებული ელექტრული ხელსაწყოების ექსპლუატაციისას ძირითადი უსაფრთხოების გამაფრთხილებელი ზომები ყოველთვის უნდა შესრულდეს, რათა შემცირდეს ხანძრის, ელექტრული შოკის და პირადი ზიანის რისკი, მათ შორის:

გამოყენებამდე ყურადღებით წაკითხეთ შეინახეთ სამომავლოდ გაცნობისთვის

▲ საფრთხე! არ გამოიყენოთ დენის გადამცემი სადენების მახლობლად. ხელსაწყო არ არის გათვალისწინებული ელექტრული შოკისგან თავის დასაცავად ჰაერში გაჭიმულ დენის სადენებთან კონტაქტის შემთხვევაში. გაითვალისწინეთ თქვენი ადგილობრივი რეგულაციები ჰაერში გაჭიმული დენის სადენების მიმართ უსაფრთხო სამუშაო მანძილთან დაკავშირებით და დარწმუნდით რომ სამუშაო არე არის დაცული და უსაფრთხო ხელსაწყო გამოყენებამდე.

ბუჩქის საკრეჭის უსაფრთხოების მითითებები

▲ საფრთხე! ხელები დაიჭირეთ დანისგან შორს. დანასთან შეხება მოგიტანოთ სერიოზულ პერსონალურ ზიანს.

- მოარიდეთ სხეულის ყველა ნაწილი საკრეჭ დანას. არ მოაცილოთ ხერხს მოჭრილი საგნები ან ხელით დაიჭიროთ გასაჭრელი საგნები, როცა დანები მოძრაობის პროცესშია. დარწმუნდით რომ ჩამრთველი არის გათიშულ მდგომარეობაში გაქცეული სხეულების მოცილებამდე ბუჩქის საკრეჭით სარგებლობისას მყისიერმა უყურადღებობამ შეიძლება მოგაყენოთ სერიოზული პირადი ზიანი.
- განსაზღვრული სატრანსპორტო პოზიციის მქონე ხელსაწყოებისთვის (საჭრელი დანა დაკეცილია ბუჩქის საკრეჭის ტარზე): არასდროს ჩართოთ ხელსაწყო სატრანსპორტო, პოზიციის, რადგან დანა არ არის გადაბმული იმ პოზიციის და თქვენ არ შეგიძლიათ ვიზუალურად შეაფასოთ გაჩერდებიან ისინი თუ არა უქმი სვლის რეჟიმში, რათა გაასწოროთ იგი სასურველ საჭრელ პოზიციის (როდესაც დანა გადაბმულია).
- ატარეთ ბუჩქის საკრეჭი თავისი სახელურით, გაჩერებული მჭრელი დანით. როდესაც ახდენთ ბუჩქის საკრეჭის შენახვას ან ტრანსპორტირებას, ყოველთვის მოაცივთ საჭრელ ნაწილს დამცავი შალითა. ბუჩქის საკრეჭის სწორი მოპყრობა შეამცირებს მჭრელი დანიდან მიღებულ შესაძლო პერსონალურ ფიზიკურ ზიანს.
- არ ჩაჭიდოთ ხელი მოშვებულ მჭრელ დანებს ან მჭრელ ზედაპირებს, როდესაც ბუჩქის საკრეჭს სწევთ მაღლა ან გიჭირავთ იგი.
- დაიჭირეთ ელექტრული ხელსაწყო მხოლოდ იზოლირებული ხელჩასაჭიდი ადგილებით, რადგან მჭრელი დანა შესაძლოა შეეხოს ფარულ დენის სადენს. საჭრელი დანები, რომელიც შეეხება დენის გამტარ სადენს, თავადაც ხდის

ხელსაწყოს შიშველ ლითონის ნაწილებს გამტარს და შესაძლოა გამოიწვიოს მომხმარებლის ელექტრული შოკი.

- მოარიდეთ სადენები სამუშაო არეს.. მუშაობისას სადენი შესაძლოა დამალული იყოს ბუჩქში და შემთხვევით გაიჭრას დანის მიერ.
- სამუშაოს დაწყებამდე შეამოწმეთ ბუჩქი დამალულ საგნებზე, როგორცაა მავთულის ღობე.
- კონტროლის დაკარგვისას ზიანის რისკის შესამცირებლად, უტყუარად დარწმუნდით რომ საჭრელი დანა მოცილებულია თქვენს თავს და ნებისმიერ სხვა ზარიერს ან საგანს, მიწის ზედაპირის ჩათვლით, რადგან როდესაც ხელსაწყო ჩართვება, მოტორის სიჩქარე საკმარისად სწრაფი იქნება რათა ჩართოს და აამოძრავოს ხელსაწყოზე დამაგრებული დანა.
- არ დაუშვათ გარეშე პირები სამუშაო არეში. დარწმუნდით რომ სხვა ადამიანები ან შინაური ცხოველები იმყოფებიან მინიმუმ 15 მ მოშორებით ბუჩქის საკრეჭით სარგებლობისას.
- არასდროს მისცეთ ბავშვებს ბუჩქის საკრეჭით სარგებლობის უფლება.
- გამოიყენეთ ორივე ხელი ბუჩქის საკრეჭით სარგებლობისას. ხელსაწყოს ერთი ხელით სარგებლობამ შესაძლოა დაგაკარგვინოთ კონტროლი მასზე და მოგაყენოთ სერიოზული პირადი ზიანი.
- არ გადაიხაროთ. ყოველთვის დაიცავით ბალანსი და მყარად იდგეთ ფეხზე. გამოიჩინეთ განსაკუთრებული ყურადღება სრიალა ზედაპირზე მუშაობისას (სველი მიწა, თოვლი) ან რთულ, ხშირი მცენარეებით დაფარულ ლანდშაფტზე მუშაობისას. უფრთხილდით ფარულ დაბრკოლებებს როგორცაა ხის კუნძები, ფესვები და თხრილები, რათა მოერიდოთ დაცემულ ტოტებს, ბუჩქნარს და განაჰერებს. გამოიჩინეთ განსაკუთრებული ყურადღება, როდესაც მუშაობთ ფერდობზე ან უსწორმასწორო რელიეფზე.

- არ გამოიყენოთ კიბე, სახურავი, ხე ან სხვა ტიპის არამდგრადი საყრდენები. მყარად დგომა სტაბილურ ზედაპირზე გაძლევთ საშუალებას მოახდინოთ ხელსაწყოს უკეთესი კონტროლი მოულოდნელ სიტუაციებში.
- ყოველთვის ყურადღება მიაქციეთ საჭრელ დანას - არ გამოიყენოთ საკრეჭი ისეთ არეში, რომელსაც ვერ ხედავთ. როდესაც ჭრით მაღალი ბუჩქის ზედა ნაწილს, შეამოწმეთ ბუჩქის მხოლოდ ნაწილი გარეშე პირებზე. ცხოველსა და დაბრკოლებებზე.
- ბუჩქის საკრეჭის გამოყენებამდე შეამოწმეთ დაზიანებული ნაწილები. შეამოწმეთ მოძრავი ნაწილების მდებარეობა, მათი შეკავშირება, დაშორება, დამაგრება და სხვა მდგომარეობა, რომელმაც შეიძლება გავლენა იქონიოს ხელსაწყოს მუშაობაზე.
- შეამოწმეთ დანის და მოტორის სამაგრი ჭანჭიკები სათანადო დაჭერაზე რეგულარული ინტერვალებით. ასევე ვიზუალურად შეამოწმეთ დანა დაზიანებაზე (ანუ გაღუნვა, გაბზარვა და გაცვეთაზე). დანა შეცვალეთ მხოლოდ EGOTM წარმოების დანით.
- შეცვალეთ დანა თუ ის გაღუნული ან გაბზარულია. არაბალანსირებული დანა იწვევს ვიბრაციებს, რამაც შესაძლოა დააზიანოს მოტორის სავალი ნაწილი ან მოგაყენოთ პირადი ზიანი.
- თუ ხელსაწყო დაიწყებს უჩვეულო ვიბრაციას, გათიშეთ მოტორი და შეამოწმეთ ვიბრაციის მიზეზი. ვიბრაცია როგორც წესი არის დაზიანების მომასწავებელი.
- საკრეჭის გამოყენება შესაძლოა ისეთი ღეროების მოსაჭრელად, რომელთა სისქე 26 მმ-ზე მცირეა.
- ისარგებლეთ ხელსაწყოთი მხოლოდ დღის სინათლეზე ან კარგი ხელოვნური განათების პირობებში.
- არ გამოიყენოთ აკუმულატორზე მომუშავე ბუჩქის საკრეჭი წვიმაში.

დამატებითი გაფრთხილებები

- არ დატენოთ აკუმულატორი წვიმაში ან სველ არეში.
 - გამოიყენეთ მხოლოდ ის აკუმულატორის ბლოკები და დამტენები, რომლებიც მითითებულია სურ. A-ში
 - აკუმულატორი უნდა ამოვიდოთ ხელსაწყოდან შინ უტილიზაციამდე.
 - აკუმულატორის უტილიზაცია უნდა მოხდეს უსაფრთხოების წესის შესაბამისად.
 - არ ჩაადოთ აკუმულატორი ცეცხლში. აკუმულატორის ელემენტები შესაძლოა აფეთქდეს. გაეცანით თქვენს ადგილობრივ კანონმდებლობას აკუმულატორის უტილიზაციის უსაფრთხო გზების შესახებ.
 - არ გახსნათ ან დაჭრათ აკუმულატორი. აკუმულატორიდან გამოდენილი ელექტროლიტი არის კოროზიული და შესაძლოა გამოიწვიოს თვალების ან კანის დაზიანება. ელექტროლიტი ტოქსურია გადაყლაპვის დროს.
- ⚠ ყურადღება!** ელექტროლიტი წარმოადგენს განზავებულ გოგირდმჟავას, რომელიც საზიანოა კანისა და თვალებისთვის. ის ატარებს დენს და არის კოროზიული.
- დაიცავით ფრთხილი მოპყრობის წესი აკუმულატორის გამოყენებისას, რათა შემთხვევით არ დაამოკლოთ იგი გამტარი საგნებით როგორცაა ბეჭდები, სამაჯურები და გასაღებები. აკუმულატორი ან გამტარი შესაძლოა გახურდეს და გამოიწვიოს დამწვრობა.
 - აკუმულატორიანი ელექტრული ხელსაწყოების ქსელში შეერთება არ არის აუცილებელი; ისინი ყოველთვის მუშა მდგომარეობაში არიან. გაითვალისწინეთ შესაძლო საფრთხეები მაშინაც კი როცა ხელსაწყო არ არის გამოყენებაში. გამოიჩინეთ სიფრთხილე როდესაც ახდენთ ხელსაწყოს შეკეთებას ან ტექნიკურ სერვისს.
 - მოხსენით აკუმულატორი ხელსაწყო, სანამ შეუდგებოდეთ მისი წმენდის ან ნარჩენების მოცილების პროცესს.
 - სათადარიგო ნაწილები - ტექნიკური სერვისისას გამოიყენეთ მხოლოდ EGO-ს იდენტური სათადარიგო ნაწილები. სხვა ნებისმიერი ნაწილის გამოყენებამ შესაძლოა გაზარდოს ზიანის მიყენების რისკი.
 - ხელსაწყო ტექნიკური სერვისი შესარულებინეთ კვალიფიციურ პირს მხოლოდ იდენტური სათადარიგო ნაწილების გამოყენებით. მსგავსი პროცედურა უზრუნველყოფს ხელსაწყოს უსაფრთხოდ მუშაობას.
 - არ გარეცხოთ ხელსაწყო წყლის მილით; მოერიდეთ მოტორში და ელექტრულ შეერთებებში წყლის მოხვედრას.
 - შეინახეთ ხელსაწყო მშრალ და ჩაკეტილ ან მაღლა მდებარე სათავსოში, ზაფხულისთვის მიუწვდომელ ადგილას.
 - თუ ისეთი სიტუაცია შეიქმნა, რომელიც არაა აღწერილი ინსტრუქციაში, გამოიყენეთ საღი აზრი და მიიღეთ ფრთხილი გადაწყვეტილებები. მიმართეთ EGO-ს მომსახურების ცენტრს დახმარებისთვის.
 - შეინახეთ ეს მომხმარებლის ინსტრუქცია. გამოიყენეთ მომხმარებლის ინსტრუქცია და მიუთითეთ სხვებს, ვისაც სურს ხელსაწყოს გამოყენება, გაეცნონ მას. თუ ათხოვებთ ხელსაწყოს სხვა პირს, ასევე ათხოვებთ მას ეს მომხმარებლის ინსტრუქცია, რათა ადკვეთოთ ხელსაწყოს არასათანადო გამოყენება და შესაძლო ზიანი.

შენახეთ ეს მომხმარებლის ინსტრუქცია
შენიშვნა: იხილეთ თქვენი ელექტრული
 თავის მომხმარებლის ინსტრუქცია
 დამატებითი სპეციფიკური უსაფრთხოების
 წესების გასაცნობად.

სპეციფიკაციები

დანის სიგრძე	51 სმ	
ჭრის უნარი	26 მმ	
წონა (აკუმულატორის გარეშე)	2.20 კგ	
რეკომენდირებული საექსპლუატაციო ტემპერატურა	0°C-40°C	
რეკომენდირებული დასაწყობების ტემპერატურა	-20°C-70°C	
გაზომილი ხმის სიმძლავრის დონე L_{WA}	92.3 dB(A) K=2.72 dB(A)	
ბგერის წნევის დონე მომხმარებლის ყურზე L_{PA}	80.4 dB(A) K=3 dB(A)	
გარანტირებული ხმის სიმძლავრის დონე L_{WA} (გაზომილი 2000/14/EC რეგულაციის მიხედვით)	95 dB(A)	
ვიბრაციის შეფასება a_h	რეგულირებადი წინა სახელური	4.9 მ/წმ ² K=1.5 მ/წმ ²
	უკანა სახელური	6.7 მ/წმ ² K=1.5 მ/წმ ²

- მითითებული პარამეტრები
ტესტირებული და გაზომილია PH1400E
ელექტრული თავის მიერთებით;
- მითითებული ვიბრაციის სრული
მნიშვნელობა გაზომილია სტანდარტული
ტესტირების მეთოდით და შესაძლოა
გამოყენებულ იქნას ერთი ხელსაწყო
მეორესთან შედარებისას;
- მითითებული ვიბრაციის სრული
მნიშვნელობა ასევე შესაძლოა
გამოყენებულ იქნას ზემოქმედების
პირველადი შეფასებისას.

შენიშვნა: ელექტრული ხელსაწყო
 ვიბრაციის ემისია გამოყენებისას შესაძლოა
 განსხვავდებოდეს მითითებული
 ოდენობისგან; მომხმარებელმა ხელსაწყოთი
 სარგებლობისას საჭიროა გამოიყენოს
 ხელთათმანები და ყურის დამცავი
 საშუალებები.

შეფუთვის ჩამონათვალი

ნაწილის დასახელება	რაოდენობა
ბუჩქის საკრეკი მიმაგრება	1
ქანჩის გასაღები	1
დანის შალითა	1
მომხმარებლის ინსტრუქცია	1

აღწერა

**შეისწავლეთ თქვენი ბუჩქის საკრეკი
 მიმაგრება (ნახ. A)**

1. საჭრელი დანა
2. კვადრანტი
3. ტრიგერი
4. ბუჩქის საკრეკის ტარი
5. რბილი ქურო
6. ტორსული ხუფი
7. სარეგულირო ბერკეტი
8. გადაცემათა კოლოფი
9. ქანჩის გასაღები
10. დანის შალითა
11. წვერის დამცავი (იყიდება დამატებით)

ანყოფა

▲ გაფრთხილება: თუ რომელიმე ნაწილი
 დაზიანებულია ან დაკარგულია, არ
 ისარგებლოთ ხელსაწყოთი სანამ ყველა
 ნაწილი არ შეიცვლება. ხელსაწყოთი
 სარგებლობას დაზიანებული ან დანაკლისი
 ნაწილებით შესაძლოა მოჰყვეს სერიოზული
 პირადი ზიანი.

▲ გაფრთხილება: არ სცადოთ ხელსაწყოს გადაკეთება ან ისეთი ნაწილების გამოყენება, რომლებიც არაა რეკომენდირებული ამ ბუჩქის საკრეჭისთვის. ნებისმიერი მსგავსი ცვლილება ან მოდიფიკაცია არის ხელსაწყოს არასათანადო გამოყენება და შესაძლოა წარმოქმნას სახიფათო მდგომარეობა, რომელმაც შეიძლება გამოიწვიოს სერიოზული პირადი ზიანი.

▲ გაფრთხილება: არასოდეს დაამონტაჟოთ ან დაარეგულიროთ რაიმე მიმაგრებული ხელსაწყო, როდესაც თავი მუშაობს ან მასში აკუმულატორი ჩამონტაჟებულია. მოტორის გაჩერების და აკუმულატორის მოხსნის უფლებფიციფიკაციამ შესაძლოა მოგაყენოთ სერიოზული პირადი ზიანი.

საჭრელი დანის რეგულირება

როდესაც ბუჩქის საკრეჭს ამოიღებთ შეფუთვიდან, იგი არის შესანახ პოზიციაში, როცა საჭრელი დანა დაკეცილია ტარზე (ნახ. B). რეკომენდირებულია საჭრელი დანის რეგულირება სასურველ სამუშაო პოზიციაში ხელსაწყოს ელექტრულ თავთან მიერთებამდე.

ხელსაწყოს გააჩნია 12 შესაძლო სამუშაო პოზიცია. საჭრელი დანის კუთხე შესაძლებელია დარეგულირდეს ზევით 5 განსხვავებულ პოზიციაში 0° (სწორი) 45°-მდე, 0° პოზიციის ჩათვლით, და ქვევით - 7 პოზიციაში 0°-დან 90°-მდე (მართი კუთხით ქვედა მიაერთებლობით) (ნახ.C), 0° პოზიციის ჩათვლის გარეშე.

1. დააჭირეთ ტრიგერს სარეგულირო ბერკეტზე და ამავე დროს დაატრიალეთ სარეგულირო ბერკეტი, რათა აირჩიოთ საჭრელი დანის სასურველი პოზიცია (ნახ. D).
2. როცა მიაღწევთ სასურველ პოზიციას, ხელი გაუშვით ტრიგერს. „წკაპ“ ხმა მიუთითებს იმაზე რომ ჩამკეტი წვირი ჩამჯდარია კვადრანტი შესაბამის ადგილას (ნახ. D).

ნახ. D ნაჩვენებია ნაწილების აღწერა მოცემულია ქვევით:

D-1	კვადრანტი
D-2	ჩამკეტი წვირი

▲ გაფრთხილება: ფიზიკური ზიანის რისკის შესამცირებლად შეასრულეთ ეს რეგულირება მხოლოდ როცა საჭრელი დანა არის გაჩერებულ მდგომარეობაში. არ შეეხოთ დანას, როდესაც ახდენთ მის რეგულირებას.

▲ გაფრთხილება: ფიზიკური ზიანის რისკის შესამცირებლად ყოველთვის გააჩერეთ ხელსაწყო და დაამაგრეთ დანაზე შალითა მის შესანახ პოზიციაში გადაყვანამდე ან შესანახი პოზიციიდან მუშა მდგომარეობაში მოყვანამდე.

ხელსაწყოს თავზე ბუჩქის საკრეჭი მიმაგრების დამონტაჟება/მოხსნა

ბუჩქის საკრეჭის მისამაგრებელი მოწყობილობა განკუთვნილია EGO 56 ვოლტისანი ლითიუმ-იონის აკუმულატორიანი PH1400E ელექტრულ თავთან მუშაობისთვის. ზევიდან ჭრის გარდა არსებობს გვერდული ჭრის პოზიციაც ბუჩქის საკრეჭის ტარის ელექტრულ თავთან მიერთებისთვის (ნახ. E). დეტალები სხვადასხვა სამუშაო ტექნიკაზე იხილეთ ამ მომხმარებლის ინსტრუქციის სექციაში **“სამუშაო ტექნიკა“**.

ნახ. E ნაჩვენებია ნაწილების აღწერა მოცემულია ქვევით:

E-1	ზედა ჭრის პოზიცია
E-2	გვერდული ჭრის პოზიცია

იხილეთ **„ხელსაწყოს თავზე მიმაგრებული მოწყობილობის დამონტაჟება“** სექცია PH1400E ელექტრული თავის მომხმარებლის ინსტრუქციაში, რათა მიუერთოთ ბუჩქის საკრეჭი ელექტრულ თავს.

იხილეთ **„ხელსაწყოს თავიდან მიმაგრებული მოწყობილობის მოხსნა“** სექცია PH1400E ელექტრული თავის მომხმარებლის ინსტრუქციაში, რათა მოხსნათ ბუჩქის საკრეჭი ელექტრულ თავს.

წვერის დამგავის დამონტაჟება (იყიდება ცალკე)

1. გამოიყენეთ ქანჩის გასაღები და მოხსენით მოკლე ჭანჭიკი, შუასადები, მილისი და ქანჩი საჭრელი დანის ბოლოს (ნახ. F). შეინახეთ შუასადები, მილისი და ქანჩი ხელახალი აწყობისთვის.

ნახ. F ნაჩვენები ნაწილების აღწერა მოცემულია ქვევით:

F-1	ქანჩი	F-3	შუასადები
F-2	მილისი	F-4	მოკლე ჭანჭიკი

2. გაუსწორეთ წვერის დამცავი საჭრელ დანაზე არსებულ გამოწეულ ზედაპირს და დაამაგრეთ თავის ადგილას. მჭიდროდ დაამაგრეთ ახალი გრძელი ჭანჭიკით და ქანჩით, ასევე გამოიყენეთ გადანახული შუასადები, მილისი და ქანჩი (ნახ. G).

ნახ. G ნაჩვენები ნაწილების აღწერა მოცემულია ქვევით:

G-1	ქანჩი	G-4	მილისი
G-2	წვერის დამცავი	G-5	შუასადები
G-3	ქანჩი	G-6	გრძელი ჭანჭიკი

ექსპლუატაცია

▲ საფრთხე: არასოდეს გახერხოთ დენის გადამცემი ხაზების, სადენების ან სხვა ელექტროენერჯის წყაროების მახლობლობაში. თუ საჭრელი დანა გაიჭედება რაიმე დენის სადენსა ან ხაზში, **ხელი არ მოკიდოთ საჭრელ დანას ან ალუმინის ტარს! ისინი შესაძლოა გახდნენ დენის გამტარი და ძალიან სახიფათო.** ხელი მოკიდეთ მხოლოდ ბუჩქის საკრეჭის იზოლირებულ უკანა სახელურს ან ფრთხილად და უსაფრთხოდ დადეთ მიწაზე თქვენგან მოშორებით. გათიშეთ დაზიანებული ხაზის ან სადენის დენი წყარო სანამ შეეცდებით საჭრელი დანის გამოხსნას. საჭრელი დანის და სხვა ბუჩქის საკრეჭის გამტარი ნაწილების დენის სადენებთან და ხაზებთან კონტაქტმა შესაძლოა გამოიწვიოს სიკვდილი ელექტრული შოკით ან სერიოზული ფიზიკური ზიანი.

▲ საფრთხილება: შეეცადეთ მსგავსი პროდუქტის გამოყენების გამოცდილებამ არ გამოიწვიოს თქვენი უგულისყურობა. დაიმახსოვრეთ რომ უგულისყურობამ წამის მეათედშიც კი შესაძლოა მოგიტანოთ სერიოზული ზიანი.

▲ საფრთხილება: ყოველთვის მორიგეთ უსაფრთხოების სათვალე და სმენის დამცავი საშუალება. ამ ინსტრუქციის უგულვებელყოფამ შესაძლოა გამოიწვიოს სხვადასხვა სხეულის თვალში მოხვედრა და სხვა შესაძლო სერიოზული ზიანი.

ყოველი გამოყენების წინ შეამოწმეთ ხელსაწყო შესაძლო დაზიანებული, დაკარგული ან მოშვებული ნაწილები, როგორცაა ხრახნები, ქანჩები, ჭანჭიკები, ხუფები და ა.შ. მჭიდროდ დაუჭირეთ ყველა სამაგრი და ხუფი და არ ამუშაოთ ხელსაწყო, სანამ ყველა დაკარგული ან დაზიანებული ნაწილი არ შეიცვლება.

▲ საფრთხილება: სერიოზული პერსონალური ზიანისგან თავის არიდების მიზნით მოხსენით ავტომატური ხელსაწყო ტექნიკური სერვისის, გაწმენდის, მიმაგრების შეცვლის ან ნარჩენი ნივთიერების მოცილების დროს.

ყოველი გამოყენების შემდეგ გაასუფთავეთ ხელსაწყო.

იხილეთ სექცია „ექსპლუატაცია“ გაწმენდის ინსტრუქციებისთვის.

გამოყენებები

თქვენ შეგიძლიათ ამ ხელსაწყოს გამოყენება ბუჩქოვანი ღობის, ჩირგვების, ბუჩქნარის და ბუჩქების გასაკრეჭად, რომელთა ტოტების დიამეტრი 226 მმ-ზე ნაკლებია.

შენიშვნა: ხელსაწყოს გამოყენება შესაძლებელია მხოლოდ დანიშნულებისამებრ. სხვა ნებისმიერი სარგებლობა ჩაითვლება როგორც არამიზნობრივი გამოყენების შემთხვევა.

ბუჩქის საკრეჭი მიმაგრების გამოყენება ელექტრულ თავზე

▲ გაფრთხილება: ჩაიცვით შესაბამისად, რათა შეამციროთ დაზიანების რისკი ხელსაწყოთი სარგებლობისას. არ ჩაიცვათ განიერი, ფრიალა ტანსაცმელი და ძვირფასეულობა. მოირგეთ თვალის და თვალის/სმენის დამცავი საშუალებები. ჩაიცვით საშუალო გრძელი შარვალი, ჩექმა და ხელთათმანები. დაუშვებელია გეცვათ მოკლე შორტი, სანდლები ან იაროთ ფეხშიშველმა.

ჭრისთვის მზადება:

1. დაარეგულირეთ საჭრელი დანა სასრუელ პოზიციაში.
2. მოხსენით დანას შალითა.
3. უსაფრთხო და უკეთესი მოხმარებისთვის, გადაიკიდეთ ჩამოსაკიდი ღვედი მხარზე. დაარეგულირეთ ღვედი კომფორტულ საშუალო პოზიციაში. მიჰყევით მითითებებს სექციაში „მხარზე ჩამოსაკიდი ღვედის დამაგრება“ PH1400E მომხმარებლის ინსტრუქციაში, რათა დაამაგროთ მხრის ღვედი ელექტრულ თავზე.

▲ გაფრთხილება: მხრის ღვედი ასევე წარმოადგენს ხელსაწყოს სწრაფად მოხსნის საშუალებას სახიფათო სიატუაციაში. როდესაც ხდება გაუთვალისწინებელი შემთხვევა, მაშინვე მოიხსენით ღვედი მხრიდან, მიუხედავდ იმისა თუ რომელ მხარზე მდებარეობს იგი.

სამუშაო ტექნიკა

■ ჰორიზონტალური ჭრა (საჭრელი დანა დახრილია კუთხით):

ფეხზე მდგარი პოზიციიდან გაკრიჭეთ მიწასთან ახლოს, მაგალითად დაბალი ბუჩქნარი.

გააქანეთ საჭრელი დანა ზევით-ქვევით ბუჩქის გასწვრივ - გამოიყენეთ საჭრელი დანის ორივე მხარე და არ დადოთ საჭრელი დანა მიწაზე (ნახ. H).

■ ჰორიზონტალური ჭრა (საჭრელი დანა სწორ პოზიციაში):

დაიჭირეთ საჭრელი დანა 0°-დან 10°-მდე კუთხით, როდესაც იქნევთ ბუჩქის საკრეჭს ჰორიზონტალური მიმართულებით. გაიქნით საჭრელი დანა რკალური ტრაექტორიით ბუჩქის გარეთა ნაწილებისკენ, რათა მოჭრილი ტოტები გაიფანტოს მიწაზე (ნახ. I, J და K).

რეკომენდაცია: ამ გზით მხოლოდ ისეთი ბუჩქები გაკრიჭეთ, რომელთა სიმაღლეც არაუმეტესია მკერდის სიმაღლისა.

■ ვერტიკალური ჭრა (საჭრელი დანა დახრილია კუთხით):

გაკრიჭეთ ისე რომ არ იდგეთ ბუჩქის უშუალო სიახლოვეს, მაგალითისთვის თუ არის ყვავილნარი მომხმარებელსა და გასაკრეჭ ბუჩქს შორის.

ასეთ ჭრის პოზიციაში ბუჩქის საკრეჭის უკეთესი კონტროლისათვის რეკომენდირებულია მისი მიერთება ელექტრულ თავთან გვერდული ჭრის პოზიციაში (იხ. ნახ. E).

გააქანეთ საჭრელი დანა ზევით-ქვევით რკალური ტრაექტორიით ბუჩქის გასწვრივ - გამოიყენეთ საჭრელი დანის ორივე მხარე (ნახ. L).

■ ვერტიკალური ჭრა (საჭრელი დანა სწორ პოზიციაში):

საკრეჭს აქვს საკმაო სიგრძე, რომელიც არ საჭიროებს დამატებით დამხმარე საშუალებებს.

გააქანეთ საჭრელი დანა ზევით-ქვევით რკალური ტრაექტორიით ბუჩქის გასწვრივ - გამოიყენეთ საჭრელი დანის ორივე მხარე (ნახ. M).

■ მაღლივი ჭრა (საჭრელი დანა დახრილია კუთხით):

დაიჭირეთ ბუჩქის საკრეჭი ვერტიკალურად და გაიქნით რკალური ტრაექტორიით, რათა გამოიყენოთ მისი სიგრძე მაქსიმალურად (ნახ. N). ძალიან მაღალი ბუჩქისთვის, დამაგრებელი ტარი არის ჭრის შესაბამისი დამხმარე საშუალება.

▲ გაფრთხილება: ნებისმიერი სამუშაო პოზიცია თავის მაღლა მდებარეობით არის დამლელი. ინცენტივების რისკის შესამცირებლად ასეთ მდგომარეობაში იმუშავეთ მხოლოდ მცირე პერიოდებით. დაარეგულირეთ საჭრელი დანის კუთხე მაქსიმუმზე ისე, რომ ხელსაწყო დაიჭიროთ უფრო კვება, ნაკლებად დამლელი პოზიციაში (მხრის ღვედის საშუალებით) და მაინც მიიღოთ სასურველი სიგრძე.

ხელსაწყოს ჩასართავად/გამოსართავად

იხილეთ სექცია „ელექტრული თავის ჩართვა/გამორთვა“ PH1400E ელექტრული თავის მომხმარებლის ინსტრუქციაში.

ექსპლუატაცია

▲ გაფრთხილება: ხელსაწყოს შემოწმებამდე, გაწმენდამდე და სერვისამდე, გააჩერეთ მოტორი, დაელოდეთ ყველა მოძრავი ნაწილის გაჩერებას და მოხსენით აკუმულატორი. ჩამოთვლილი ინსტრუქციების უგულვებელყოფამ შესაძლოა გამოიწვიოს სერიოზული ფიზიკური ან მატერიალური ზიანი.

▲ გაფრთხილება: ტექნიკური სერვისისას გამოიყენეთ მხოლოდ დიდენტური სათანადარიგო ნაწილები. სხვა ნებისმიერი ნაწილის გამოყენებამ შესაძლოა შექმნას საფრთხე ან გამოიწვიოს ხელსაწყოს დაზიანება. ხელსაწყოს უსაფრთხოოდ და გამართულად მუშაობისთვის საჭიროა მისი ყველა შეკეთება და ნაწილის შეცვლა შესრულდეს კვალიფიციური სერვისის ტექნიკოსის მიერ.

ზოგადი მოვლის წესი

მოერიდეთ გამხსნელების გამოყენებას ხელსაწყოს პლასტმასის ნაწილების გაწმენდისას. უმეტესობა პლასტმასები ადვილად ზიანდება მათზე გამხსნელების გამოყენების შედეგად. გამოიყენეთ სუფთა ტილო ტალახის, მტვრის, ზეთის, ცხიმის და სხვ. მოსაცილებლად.

ხელსაწყოს გაწმენდის წესი

- გამოიყენეთ რბილი ფუნჯი რათა მოაცილოთ ნარჩენი საჭაერობსა და საჭრელ დანას.

- კუპრის ან სხვა წებოვანი ნივთიერების მოსაცილებლად მოაკურეთ დანას რეზინის გამხსნელი. მცირე ხნით ჩართეთ მოტორი, რათა გამხსნელი თანაბრად გადაწილდეს.

- არ გამოიყენოთ ძლიერი გამწმენდი საშუალებები პლასტმასის ბუდეზე ან სახელურზე. ისინი შესაძლოა დაზიანდეს ისეთი არომატოზატორებით, როგორცაა ნაძვის ან ლიმონის ზეთი, ან ნავთის ტიპის გამხსნელი საშუალებებით. სინესტემ ასევე შეიძლება შექმნას ელექტრული შოკის საფრთხე. რბილი, მშრალი ქსოვილით მოწმინდეთ ხელსაწყოს ნებისმიერი ნესტი, არასდროს გამოიყენოთ წყალი ხელსაწყოს გასაწმენდად.

■ მჭრელი დანის გალესვა

როდესაც ჭრის პროცესი და ქვევა რთულდება, მაგალითად როცა დანა ხშირად იჭედება ტოტემში: გალესეთ საჭრელი დანა. რეკომენდირებულია საჭრელი დანის გალესვა კვალიფიციურ სერვისის ტექნიკოსის მიერ.

შენიშვნა: არ ამუშაოთ თქვენი ბუჩქის საკრეკი დაჩლუნგებული არ დაზიანებული საჭრელი დანებით. ამან შესაძლოა გამოიწვიოს ხელსაწყოს გადატვირთვა და მოგვით არასასურველი რეზულტატი.

დანის შეზეთვა

დაჟანგვისგან თავის არიდების მიზნით რეკომენდირებულია დანის შეზეთვა ჟანგვის საწინააღმდეგო ზეთით დიდი ხნით შენახვისას.

▲ გაფრთხილება: დანის პირი მჭრელია. დანის აწყობის დროს ჩაიცვით მოცურების საწინააღმდეგო, დამცავი ხელთათმანები. არ მოათავსოთ თქვენი ხელი ან თითები დანის პირებს შორის ან ისეთ პოზიციაში სადაც ისინი შეიძლება გაგეჭრათ ან ჩაგიყვით. არასოდეს შეეხოთ დანის პირებს ან ჩაუტაროთ ხელსაწყოს სერვისი, როცა აკუმულატორი შეერთებულია.

გადაცემათა კოლოფის კბილანების შეზეთვა

გადაცემათა კოლოფში არსებული კბილანები საჭიროებენ პერიოდულ შეზეთვას სპეციალური საპოხით. შეამოწმეთ გადაცემათა კოლოფის შეზეთვის დონე ექსპლუატაციის ყოველ 50 საათთან პერიოდში კოლოფზე მითავსებული დამლუქავი ხრახნის მოხსნით. კოლოფს გააჩნია სამი დამლუქავი ხრახნი, ერთი გვერდზე და ორი თავზე.

თუ კბილანების გვერდებზე საპოხი მასალა არ სჩანს, მიყევით ქვემოთ მოცემულ ინსტრუქციას და შეავსეთ გადაცემათა კოლოფის სივრცე 3/4-ზე საპოხი მასალით.

1. იმის მიხედვით თუ რომელ დამლუქავ ხრახნს ხსნით, დაიჭირეთ ბურქის საკრეჭი გვერდზე ან ზურგზე ისე რომ დამლუქავი მოსახსნელი ხრახნი არის ზედა პოზიციამი (ნახ O და P).
2. გამოიყენეთ არსებული ქანჩის გასაღები, რათა მოუშვათ და მოხსნათ დამლუქავი ხრახნი.
3. გამოიყენეთ ზეთის შპრიცი (არ არის კომპლექტში), რათა შეიფხვანთ საპოხი მასალა ხრახნის ნასვრეტში; არ გადააჭარბოთ მოცულობის 3/4-ზე მეტს.
4. საპოხის შეყვანის შემდეგ დაუჭირეთ დამლუქავი ხრახნი.

ხელსაწყოს შენახვის წესი

- მოხსენით აკუმულატორი ხელსაწყოს.
- საფუძვლიანად გაწმინდეთ ხელსაწყო შენახვამდე.
- გაუკეთეთ საჭრელ დანას შალითა შენახვამდე ან ტრანსპორტირებამდე. გამოიყენეთ სიფრთხილე დანის მჭრელ კბილებთან მიმართებაში.
- თუ ბურქის საკრეჭი მოხსნილია ელექტრული თავიდან და ინახება ცალკე, მთარგეთ მიმაგრების ტარის ბოლოს ხუფი, რათა აიცილოთ თავიდან ჭუჭყის მოხვედრა სამაგრ ქუროში.
- შეინახეთ ხელსაწყო მშრალ, კარგად განიაგებად ადგილას ჩაკეტილ და მაღალ სათავსოში, ბავშვებისთვის მიუწვდომელ ადგილას. არ შეინახოთ ხელსაწყო სასუქის, ბენზინის და სხვა ქიმიური ნივთიერებების სიახლოვეს.

გარემოს დაცვა



არ მოახდინოთ ელექტრული მოწყობილობის, აკუმულატორის დამტენის და მისი ბატარეების მოთავსება საყოფაცხოვრებო ნაგავში!

ევროკავშირის 2012/19/EU რეგულაციის მიხედვით, ელექტრული და ელექტრონული ხელსაწყოები, რომლებიც აღარ გამოიყენება, ასევე 2006/66/EC რეგულაციის მიხედვით, დევექტური ან გამოყენებული აკუმულატორები/ბატარეები, უნდა შეგროვდეს ცალკეულად. ელექტრული მოწყობილობების ნაგავსაყრელზე მოთავსებისას, სახიფათო ნარჩენები შესაძლოა გაიჟონოს გრუნტის წყლებში და მოხვდეს საკვებ ჯაჭვში, რამაც შესაძლოა დააზიანოს თქვენი ჯანმრთელობა და კეთილდღეობა.

გაუმართაობის დიაგნოსტიკა

პრობლემა	მიზეზი	გადაჭრის გზა
ბუჩქის საკრეჭი არ მუშაობს.	<ul style="list-style-type: none"> ▪ აკუმულატორი არ არის შეერთებული ბუჩქის საკრეჭზე. ▪ საკრეჭსა და აკუმულატორს შორის არ არის ელექტრული კონტაქტი. ▪ აკუმულატორი დაცლილია. ▪ ჩამკეტი დილაკი არ არის გადაყვანილი ჩართულ პოზიციაში ტრიგერზე ხელის დაჭერამდე. ▪ აკუმულატორი ან ელექტრული თავი ზედმეტად გაცხელებულია. ▪ დანა გაჭედებულია. ▪ ბუჩქის საკრეჭი არ არის კარგად შეერთებული ელექტრულ თავზე. 	<ul style="list-style-type: none"> ▪ დაამაგრეთ აკუმულატორი ბუჩქის საკრეჭზე. ▪ მოხსენით აკუმულატორი, შეამოწმეთ კონტაქტები და კვლავ მოათავსეთ იგი უკან. ▪ დატენეთ აკუმულატორი. ▪ დააჭირეთ ჩამკეტ ბერკეტს და გააჩერეთ ამ მდგომარეობაში, შემდეგ დააჭირეთ თითო ტრიგერს რათა ჩართოთ ხელსაწყო. ▪ აცალეთ აკუმულატორს ან ელექტრულ თავს გაგრილება 67°C-ის ქვევით. ▪ მოხსენით აკუმულატორი ხელსაწყოს. ფრთხილად მოაწალეთ გაჭედული საგანი, შემდეგ უკან მიაერთეთ აკუმულატორი და ხელახლა ჩართეთ ხელსაწყო. ▪ მოხსენით ბუჩქის საკრეჭი ელექტრულ თავს. იხილეთ „ხელსაწყოს თავზე მიმაგრებული მოწყობილობის დამონტაჟება“ სექცია PH1400E ელექტრული თავის მომხმარებლის ინსტრუქციაში, რათა ხელახლა შეართოთ ისინი.

პრობლემა	მიზეზი	გადაჭრის გზა
გადაჭარბებული ვიბრაცია ან ხმაური.	<ul style="list-style-type: none"> ▪ მშრალი ან დაჟანგული დანები. ▪ დანები ან მათი საყრდენი მოღუნულია. ▪ მოღუნული ან დაზიანებული კბილები. ▪ მოშვებული კბილების ჭანჭიკები. 	<ul style="list-style-type: none"> ▪ შეზეთეთ დანა. ▪ შეცვალეთ ახალი დანით ან საყრდენით. მიმართეთ EGO-ს მომსახურების ცენტრს დანის და საყრდენის შეცვლისთვის. ▪ შეცვალეთ ახალი დანით ან საყრდენით. მიმართეთ EGO-ს მომსახურების ცენტრს დანის და საყრდენის შეცვლისთვის. ▪ მოუჭირეთ დანის ჭანჭიკები. ქანჩის გასაღების (კომპლექტში არ შედის) გამოყენებით მოატრიალეთ ჭანჭიკი საათის ისრის მიმართულებით მოსაჭერად.

გარანტია

EGO-ს გარანტიის მომსახურების წესი

გთხოვთ ეწვიოთ ვებ-გვერდს egopowerplus.com, რათა მიიღოთ EGO-ს საგარანტიო მომსახურების სრული დადგენილებები და პირობები.

PROČITAJTE SVA UPUTSTVA!



PROČITAJTE PRIRUČNIK ZA RUKOVAOCA

⚠ Rezidualni rizik! Osobe sa elektronskim uređajima, poput pejsmejкера, treba da konsultuju svog lekara (svoje lekare) pre upotrebe ovog proizvoda. Rukovanje električnom opremom u neposrednoj blizini srčanog pejsmejкера moglo bi da izazove smetnje ili otkazivanje pejsmejкера.

⚠ UPOZORENJE: Da bi se osigurala sigurnost i pouzdanost, sve popravke i zamene treba da radi kvalifikovani servisni tehničar.

SIGURNOSNI SIMBOLI

Svrha sigurnosnih simbola je da vam skrenu pažnju na moguće opasnosti. Sigurnosni simboli i objašnjenja uz njih zaslužuju vašu pognu pažnju i shvatanje. Simboli upozorenja, sami po sebi, ne eliminišu nikakve opasnosti. Uputstva i upozorenja koja oni daju nisu zamena za odgovarajuće mere sprečavanja nezgoda.

⚠ UPOZORENJE: Obavezno pročitajte i shvatite sva sigurnosna uputstva u ovom Priručniku za rukovaoca, obuhvatajući i sve simbole sigurnosnih upozorenja poput „OPASNOST“, „UPOZORENJE“ i „OPREZ“ pre korišćenja ovog alata. Nepridržavanje svih dole navedenih uputstava može da dovede do strujnog udara, požara i/ili ozbiljne telesne povrede.

ZNAČENJE SIMBOLA

⚠ SIMBOL SIGURNOSNOG UPOZORENJA: Ukazuje na **OPASNOST, UPOZORENJE ILI OPREZ**. Može se koristiti zajedno sa drugim simbolima ili piktogramima.



⚠ UPOZORENJE: Rukovanje svakim električnim alatom može da dovede do izbacivanja stranih tela ka očima, što može da dovede do ozbiljnog oštećenja očiju. Pre započinjanja rada sa električnim alatom, uvek stavite sigurnosne naočare sa bočnim štitnicima ili po potrebi masku za celo lice. Preporučujemo sigurnosnu masku Wide Vision za upotrebu preko naočara ili standardnih sigurnosnih naočara sa bočnim štitnicima.

SIGURNOSNA UPUTSTVA

Ova stranica prikazuje i opisuje sigurnosne simbole koji mogu da se pojave na ovom proizvodu. Pročitajte, shvatite i sledite sva uputstva na mašini pre no što pokušate da je sklopite i da rukujete njom.

	Sigurnosno upozorenje	Označava potencijalnu opasnost od telesne povrede.
	Pročitajte Priručnik za rukovaoca	Da bi smanjio rizik od povreda, korisnik pre korišćenja ovog proizvoda mora pročitati i shvatiti priručnik za rukovaoca.
	Nosite zaštitu za oči	Uvek nosite sigurnosne naočare sa bočnim štitnicima ili po potrebi masku za celo lice kad rukujete ovim proizvodom.
	Nosite zaštitu za glavu	Nosite odobreni sigurnosni šlem da biste zaštitili glavu.
	Nosite zaštitu za uši	Uvek nosite zaštitu za uši kad rukujete ovim proizvodom.
	Dužina noža	Dužina noža
	Kapacitet sečenja	Maks. Kapacitet sečenja noža
	Držite šake i stopala dalje od alata za sečenje	Nikad ne pokušavajte da rukujete električnim alatom jednom rukom. Gubitak kontrole nad električnim alatom može da dovede do ozbiljne ili fatalne povrede. Da biste smanjili rizik od posekotine, držite šake i stopala dalje od alata za sečenje. Nikad ne dodirujte pokretni alat za sečenje šakom ili bilo kojim drugim delom tela.

SR

	Držite prolaznike podalje	Osigurajte da drugi ljudi i kućni ljubimci budu udaljeni najmanje 15 m od trimera za živicu kada je u upotrebi.
	Ne izlažite kiši	Ne koristite po kiši i ne ostavljajte napolju dok pada kiša.
IPX4	IP simbol	Zaštita od prodiranja vode - stepen 4
	CE	Ovaj proizvod je u skladu sa primenljivim EC direktivama.
	WEEE	Otpadne električne proizvode ne bi trebalo odlagati zajedno sa otpadom iz domaćinstva. Odnosite ih u ovlašćeni pogon za reciklažu.
	Buka	Garantovan nivo jačine zvuka. Emisija buke u okruženju prema Direktivi Evropske zajednice.
V	Volt	Voltaža
mm	Milimetar	Dužina ili veličina
cm	Centimetar	Dužina ili veličina
kg	Kilogram	Težina

VAŽNA SIGURNOSNA UPUTSTVA

⚠ UPOZORENJE! Kada koristite električne baštenske aparate, uvek treba da se pridržavate osnovnih sigurnosnih mera opreza da biste smanjili rizik od požara, strujnog udara i telesne povrede, obuhvatajući i sledeće:

PAŽLJIVO PROČITATI PRE UPOTREBE

SACUVATI ZA BUDUĆU UPOTREBU

⚠ OPASNOST! Ne rukujte u blizini električnih vodova. Jedinica nije dizajnirana da obezbedi zaštitu od strujnog udara u slučaju kontakta sa vazдушnim električnim vodovima. Konsultujte lokalne propise radi bezbedne udaljenosti od vazдушnih električnih vodova i vodite računa da budete u bezbednom i sigurnom radnom položaju pre rukovanja alatom.

SR

SIGURNOSNA UPOZORENJA ZA TRIMER ZA ŽIVICU

⚠ OPASNOST! Držite šake dalje od noža. Kontakt sa nožem dovešće do ozbiljne telesne povrede.

- **Držite sve delove tela dalje od noža. Ne uklanjajte odsečeni materijal niti držite materijal koji treba da seče dok se noževi kreću. Vodite računa da prekidač bude u isključenom položaju kad čistite zaglavljene materijal.** Trenutak nepažnje kada koristite trimer za živicu je dovoljan da izazove ozbiljne telesne povrede.
- **Na mašinama sa definisanim transportnim položajem (nož za sečenje preklopljen ravno uz vratilo trimera za živicu): Nikad ne pokrećite mašinu u transportnom položaju,** jer noževi nisu angažovani u tom položaju i stoga ne možete vizuelno proveriti da li će biti zaustavljeni u neutralnom položaju kad počnete da podešavate nož za sečenje na željeni položaj za sečenje (gde su noževi angažovani).
- **Nosite trimer za živicu za dršku, sa zaustavljenim nožem.** Kad transportujete ili skladištite trimer za živicu, uvek stavite navlaku za nož. Pravilno postupanje sa trimenom za živicu će smanjiti eventualne telesne povrede od noževa.
- **Ne hvatajte izložene noževe za sečenje ili iverice za sečenje kad podižete ili držite trimer za živicu.**
- **Držite električni alat samo za izolovane površine za hvatanje jer nož za sečenje može da dođe u dodir sa skrivenim ožičenjem.** Ako noževi dođu u dodir sa žicom pod naponom, i izloženi metalni delovi električnog alata mogu da budu pod naponom pa rukovalac može da dobije strujni udar.
- **Držite kabl dalje od površine gde sečete.** Tokom rada, kabl može da bude skriven u zbuunju i nož ga može nehotečno preseći.
- **Proverite da li u živici ima stranih predmeta pre rada, npr. žičanih ograda.**
- **Da biste smanjili rizik od povreda zbog gubitka kontrole, budite apsolutno sigurni da nož za sečenje ne dodiruje vas i sve druge prepreke i predmete, obuhvatajući i tlo, jer, kad se alat pokrene, brzina motora će biti dovoljno velika da angažuje i pomeri nož za sečenje na alat.**
- **Ne puštajte druge osobe u šire radno područje.** Osigurajte da drugi ljudi i kućni ljubimci budu udaljeni najmanje 15 m od trimera za živicu kada je u upotrebi.
- **Nikad ne dozvoljavajte deci da rukuju trimenom za živicu.**
- **Koristite obe ruke kad rukujete trimenom za živicu.** Korišćenje jedne ruke bi moglo da izazove gubitak kontrole i da dovede do ozbiljne telesne povrede.

- **Ne presežite. U svakom trenutku održavajte pravilan položaj nogu i ravnotežu. Treba naročito voditi računa u klizavim uslovima (mokra zemlja, sneg) i na teškom, zaraslom terenu. Pazite na skrivene prepreke poput panjeva, korenja i jaraka da biste izbegli otpale grane, žbunje i odsečeni materijal. Budite krajnje oprezni kad radite na nagibima ili neravnom tlu.**
- **Ne koristite na lestvama, krovu, drvetu ili nekoj drugoj nestabilnoj podlozi. Stabilno uporište na čvrstoj površini omogućava bolju kontrolu nad trimenom za živicu u neočekivanim situacijama.**
- **Uvek posmatrajte noževe za sečenje – ne secite nijedan deo živice koji ne možete da vidite. Kad sečete gornji deo visoke živice, često proveravajte drugu stranu živice zbog prolaznika, životinja i prepreka.**
- **Proverite oštećene delove pre dalje upotrebe trimera za živicu. Proverite poravnanje pokretnih delova, spojeve pokretnih delova, lomljenje delova, montiranje i sva druga stanja koja bi mogla uticati na rad.**
- **Često proveravajte da li su zavrtnji za montažu noža i motora pravilno zategnuti. Takođe, vizuelno pregledajte da li je nož oštećen (npr. savijen, napukao i pohaban). Zamenite nož isključivo EGOTM nožem.**
- **Zamenite nož ako je savijen ili napukao. Neizbalansirani nož izaziva vibracije koje bi mogle da oštete motornu pogonsku jedinicu ili da izazovu telesnu povredu.**
- **Ako oprema počne abnormalno da vibrira, zaustavite motor i odmah potražite uzrok. Vibracija je generalno upozorenje da postoji problem.**
- **Trimer treba da se koristi za sečenje stablika debljine manje od 26 mm.**
- **Secite samo po dnevnom svetlu ili po dobrom veštačkom svetlu.**
- **Ne koristite trimer za živicu na baterije po kiši.**

DODATNA UPOZORENJA

- **Nemojte puniti bateriju na kiši ili na mokrim mestima.**
- **Koristite samo sa baterijama i punjačima navedenim na slici A.**
- **Baterija se mora izvaditi iz aparata pre recikliranja.**
- **Baterija se mora bezbedno odložiti na otpad.**
- **Ne bacajte bateriju u vatru. Čelije mogu eksplodirati. Proverite lokalne pravilnike radi eventualnih specijalnih uputstava za odlaganje na otpad.**
- **Ne otvarajte niti oštećujte bateriju. Ispušteni elektrolit je korozivan i može da izazove oštećenja očiju ili kože. Može biti otrovan ako se proguta.**

⚠ OPREZ! Elektrolit je razblažena sumporna kiselina koja je štetna za kožu i oči. On provodi električnu struju i korozivan je.

- **Pažljivo rukujte baterijama da ne bi došlo do kratkog spoja baterije sa provodničkim materijalima kao što su prstenje, narukvice i ključevi. Baterija ili provodnik se mogu pregrijati i izazvati opekotine.**
- **Alati na baterije ne moraju da budu uključeni u utičnicu; oni su stoga uvek u radnom stanju. Budite svesni mogućih opasnosti čak i kada se alat ne koristi. Budite pažljivi kada održavate ili servisirate.**
- **Izvadite bateriju pre servisiranja, čišćenja ili uklanjanja materijala iz alata.**
- **Rezervni delovi** - Tokom servisiranja, koristite samo identične EGO rezervne delove. Korišćenje bilo kakvog drugog pribora ili dodatka može povećati rizik od povreda.
- **Odnosite električni alat na servisiranje kod kvalifikovanog servisera koji će koristiti samo identične rezervne delove. To će osigurati da bezbednost električnog alata bude održana.**
- **Ne perite crevom; izbegavajte ulaženje vode u motor i električne veze.**
- **Skладиštite alat na suvom i visokom ili zaključanom mestu van domašaja dece.**
- **Ako dođe do situacija koje nisu obrađene u ovom priručniku, primenjujte oprez i zdravo rasuđivanje. Obratite se EGO servisnom centru za pomoć.**
- **Sačuvajte ovo uputstvo. Često ga pregledajte i koristite ga da uputite druge koji mogu da koriste ovaj alat. Ako pozajmite ovaj alat nekom drugom, pozajmite i ovo uputstvo da bi se sprečila pogrešna upotreba proizvoda i eventualna povreda.**

SAČUVAJTE OVO UPUTSTVO

NAPOMENA: POGLEDAJTE PRIRUČNIK ZA RUKOVAOČA ZA POGONSKU GLAVU RADI DODATNIH SPECIFIČNIH SIGURNOSNIH PRAVILA.

SPECIFIKACIJE

Dužina noža	51 cm
Kapacitet sečenja	26 mm
Težina (bez baterije)	2,20 kg
Preporučena radna temperatura	0°C-40°C
Preporučena temperatura skladištenja	-20°C-70°C

SR

Izmereni nivo jačine zvuka L_{WA}	92,3 dB(A) K=2,72 dB(A)	
Nivo zvučnog pritiska kod uha rukovaoca L_{PA}	80,4 dB(A) K=3 dB(A)	
Garantovan nivo jačine zvuka L_{WA} (izmereno prema 2000/14/EC)	95 dB(A)	
Procena vibracije a_h	Prednja pomoćna drška	4,9 m/s ² K=1,5 m/s ²
	Zadnja drška	6,7 m/s ² K=1,5 m/s ²

- Gornji parametri su testirani i izmereni sa pogonskom glavom PH1400E;
- Deklarisana ukupna vrednost vibracije je izmerena u skladu sa standardnim metodom testiranja i može se koristiti za upoređivanje jednog alata sa drugim;
- Deklarisana ukupna vrednost vibracije može se koristiti i u preliminarnoj proceni izlaganja.

NAPOMENA: Emisija vibracija tokom stvarne upotrebe električnog alata može da se razlikuje od deklarisanе vrednosti u kojoj se alat koristi. Da bi se rukovalac zaštitio, korisnik bi trebalo da nosi rukavice i štitnike za uši u stvarnim uslovima korišćenja.

POPIS PAKOVANJA

NAZIV DELA	KOLIČINA
Dodatak trimera za živicu	1
Ključ	1
Navlaka za nož	1
Priručnik za rukovaoca	1

OPIS

UPOZNAJTE SVOJ DODATAK TRIMERA ZA ŽIVICU (slika A)

1. Nož za sečenje
2. Kvadrant
3. Okidač
4. Vratilo trimera za živicu
5. Krajnja kapica
6. Poluga za podešavanje
7. Menjač brzina
8. Ključ
9. Navlaka za nož

SR

10. Zaštita vrha (opcionarno, PRODAJE SE ZASEBNO)

SKLAPANJE

⚠ UPOZORENJE: Ako su neki delovi oštećeni ili nedostaju, nemojte koristiti ovaj proizvod dok delovi ne budu zamenjeni. Korišćenje ovog proizvoda sa oštećenim ili nedostajućim delovima može dovesti do ozbiljnih telesnih povreda.

⚠ UPOZORENJE: Ne pokušavajte da modifikujete ovaj proizvod ili da pravite dodatke koji nisu preporučeni za korišćenje sa ovim trimrom za živicu. Svaka takva promena ili modifikacija je zloupotreba i može dovesti do opasnih uslova koji mogu da dovedu do ozbiljnih telesnih povreda.

⚠ UPOZORENJE: Nikad ne pričvršćujte niti podešavajte nijedan dodatak dok pogonska glava radi ili dok je baterija instalirana. Ako ne zaustavite motor i ne izvadite bateriju, to može da izazove ozbiljne telesne povrede.

PODEŠAVANJE NOŽA ZA SEČENJE

Kad se trimer za živicu izvadi iz ambalaže, on je sasvim odmotan, što znači da ugao između noža i vratila trimera za živicu iznosi 180° (slika B). Preporučuje se da podesite nož za sečenje u odgovarajući radni položaj pre pričvršćivanja na pogonsku glavu.

Postoji 9 mogućih radnih položaja. Ugao noža za sečenje može se podesiti nagore u 5 stadijuma od 0° (ravno) do 45°, obuhvatajući i 0°, i nadole u 4 stadijuma od 0° do 52° (prav ugao okrenut nadole) (slika C), ne obuhvatajući 0°.

1. Pritisnite okidač na poluzi za podešavanje i u međuvremenu okrenite polugu za podešavanje da podesite nož za sečenje u željeni položaj za sečenje (slika D).
2. Kad dosegnete željeni položaj, pustite okidač. Čujno škljocanje će pokazati da je igla za zaključavanje angažovana u kvadrantu i pravilno nameštena na svoje mesto (slika D).

Opis delova sa slike D pogledajte ispod:

D-1	Kvadrant
D-2	Igla za zaključavanje

⚠ UPOZORENJE: Da biste smanjili rizik od povreda, podešavanje vršite samo kad su noževi za sečenje u mirovanju. Nikad ne dodirujte noževe dok vršite podešavanja.

⚠ UPOZORENJE: Da biste smanjili rizik od povreda, uvek zaustavite alat i stavite navlaku za nož pre pomeranja noža za sečenje u položaj skladištenja ili iz položaja skladištenja u normalan radni položaj.

POVEZIVANJE/UKLANJANJE DODATKA TRIMERA ZA ŽIVICU NA POGONSKU GLAVU

Ovaj dodatak trimera za živicu je dizajniran za upotrebu sa EGO pogonskom glavom PH1400E sa LITIJUM-JONSKOM baterijom od 56 V. Osim sečenja gornje strane, postoji i položaj za sečenje bočnih strana na vratilu trimera za živicu, za povezivanje sa pogonskom glavom (slika E). Detaljne tehnike rada pogledajte u odeljku „TEHNIKE RADA“ u ovom priručniku.

Opis delova sa slike E pogledajte ispod:

E-1	Položaj za sečenje gornje strane
E-2	Položaj za sečenje bočnih strana

Pogledajte odeljak „INSTALIRANJE DODATKA NA POGONSKU GLAVU“ u priručniku za rukovaoca za pogonsku glavu PH1400E za povezivanje trimera za živicu na pogonsku glavu.

Pogledajte odeljak „UKLANJANJE DODATKA SA POGONSKE GLAVE“ u priručniku za rukovaoca za pogonsku glavu PH1400E za uklanjanje trimera za živicu sa pogonske glave.

MONTIRANJE ZAŠTITE VRHA (opcionally)

1. Pomoću inbus ključa uklonite kratki zavrtnj, običnu podlošku, umetak i navrtanj na kraju noža za sečenje (slika F). Sačuvajte običnu podlošku, umetak i navrtanj za ponovno sklapanje.

Opis delova sa slike F pogledajte ispod:

F-1	Navrtanj	F-3	Obična podloška
F-2	Umetak	F-4	Kratki zavrtnj

2. Poravnajte zaštitu vrha sa izbočinom na nožu za sečenje i montirajte je na njeno mesto. Učvrstite je novim dugim zavrtnjem i navrtnjem, kao i sačuvanom podloškom, umetkom i navrtnjem (slika G).

Opis delova sa slike G pogledajte ispod:

G-1	Navrtanj	G-4	Umetak
G-2	Zaštita vrha	G-5	Obična podloška
G-3	Navrtanj	G-6	Dugi zavrtnj

RUKOVANJE

⚠ OPASNOST: Nikad ne secite blizu električnih vodova, strujnih kablova ili drugih izvora električne struje. Ako se noževi za sečenje zaglave na bilo kakvom električnom kابلu ili vodu, **NE DODIRUJTE NOŽ ZA SEČENJE ILI ALUMINIJUMSKU ŠIPKU! ONI MOGU DA BUDU POD NAPONOM I MOGU BITI VEOMA OPASNI.** Nastavite da držite trimmer za živicu za izolovanu zadnju dršku ili ga spustite na tlo i dalje od sebe na bezbedan način.

Isključite oštećeni vod ili kabl iz električne mreže pre no što pokušate da oslobodite nož za sečenje od voda ili kabla. Kontakt sa nožem za sečenje, drugim provodničkim delovima trimera za živicu ili električnim kablovima ili vodovima pod naponom može dovesti do smrti od strujnog udara ili ozbiljne povrede.

⚠ UPOZORENJE: Ne dozvolite da zbog poznavanja ovog proizvoda postanete nemarni. Zapamtite da je delić sekunde nepažnje dovoljan da nanese ozbiljnu povredu.

⚠ UPOZORENJE: Uvek nosite zaštitne naočare i zaštitu za sluh. Nepridržavanje toga može dovesti do predmeta izbačenih prema očima i drugih ozbiljnih povreda.

Pre svake upotrebe pregledajte čitav proizvod radi oštećenih, nedostajućih ili labavih delova poput vijaka, navrtanja, zavrtnja, kapice itd. Čvrsto zategnite sve spojeve i kapice i ne rukujte ovih proizvodima dok svi nedostajući ili oštećeni delovi ne budu zamenjeni.

⚠ UPOZORENJE: Da biste sprečili ozbiljne telesne povrede, izvadite bateriju iz alata pre servisiranja, čišćenja, menjanja dodatka ili skidanja materijala sa jedinice.

Nakon svake upotrebe, očistite alat.

Pogledajte odeljak Održavanje za uputstva za čišćenje.

PRIMENA

Možete da koristite ovaj proizvod za orezivanje žERICA, žbunja, šiblja, grmlja i sličnog materijala sa prečnikom grana manjim od Ø26 mm.

NAPOMENA: Alat treba koristiti samo za propisanu svrhu. Svaka druga upotreba smatra se slučajem zloupotrebe.

KORIŠĆENJE TRIMERA ZA ŽIVICU SA POGONSKOM GLAVOM

⚠ UPOZORENJE: Obucite se prikladno da biste smanjili rizik od povrede dok koristite ovaj alat. Ne nosite labavu odeću ili nakit. Nosite zaštitne naočare i zaštitu uva/sluha. Nosite duge radne pantalone, duboke cipele i rukavice. Ne nosite kratke pantalone, sandale, papuče i ne radite bos.

PRIPREMA ZA SEČENJE:

1. Podesite nož za sečenje u željeni radni položaj.
2. Skinite navlaku za nož sa noža za sečenje.
3. Za bezbedan i bolji rad, stavite remen za rame preko ramena. Podesite remen za rame u udoban radni položaj. Pratite uputstva u odeljku „MONTIRANJE REMENA ZA RAME“ u priručniku za rukovaoca za PH1400E da biste pričvrstili remen za rame na pogonsku glavu.

⚠ UPOZORENJE: Remen za rame ima i mehanizam za brzo otkopčavanje u opasnim situacijama. Kada se desi hitan slučaj, odmah skinite sa ramena, bez obzira kako je remen namešten.

TEHNIKE RADA

■ Horizontalno sečenje (sa nožem za sečenje pod uglom):

Secite blizu tla iz stojećeg položaja, npr. nisko žbunje.

Zamahujte nožem za sečenje gore i dole dok se krećete duž živice – koristite obe strane noževa za sečenje i ne oslanjajte nož za sečenje na tlo (slika H).

■ Horizontalno sečenje (sa ravnim nožem za sečenje)

Držite nož za sečenje pod uglom od 0° do 10° dok zamahujete trimenom za živicu horizontalno.

Zamahujte nožem za sečenje u luku prema spoljašnjim delovima živice tako da odsečeni materijal pada na tlo (slika I, J i K).

Preporuka: Secite samo živice koje nisu više od visine grudí u ovom radnom položaju.

■ Vertikalno sečenje (sa nožem za sečenje pod uglom):

Sečenje bez stajanja neposredno pored živice, npr. cvetna leja se nalazi između rukavaca i živice.

U ovom položaju sečenja, zbog bolje kontrole nad trimenom za živicu, preporučuje se da povežete trimen za živicu sa pogonskom glavom u položaju bočnog sečenja (pogledajte sliku E).

Zamahujte nožem za sečenje gore i dole u luku dok se krećete duž živice – koristite obe strane noža za sečenje (slika L).

■ Vertikalno sečenje (sa ravnim nožem za sečenje):

Veoma dug doseg bez potrebe za drugim pomagalicama.

Zamahujte nožem za sečenje gore i dole u luku dok se krećete duž živice – koristite obe strane noža za sečenje (slika M).

■ Sečenje iznad glave (sa nožem za sečenje pod uglom)

Držite trimen za živicu vertikalno i zamahujte njime u luku da biste maksimalno iskoristili njegov doseg (slika N). Za veoma visoku živicu, produžna šipka je prikladna kao pomoć u orezivanju.

⚠ UPOZORENJE: Svaki radni položaj iznad visine glave zamara. Da biste smanjili rizik od nezgoda, radite u takvim položajima samo tokom kratkih perioda. Postavite ugao podesivog noža za sečenje na maksimum tako da se alat može držati u nižem položaju koji manje zamara (sa remenom za rame) dok i dalje pruža adekvatan doseg.

ZA POKRETANJE/ZAUSTAVLJANJE ALATA

Pogledajte odeljak „**POKRETANJE/ZAUSTAVLJANJE POGONSKE GLAVE**“ u priručniku za rukovoaca za pogonsku glavu PH1400E.

ODRŽAVANJE

⚠ UPOZORENJE: Pre pregledanja, čišćenja ili servisiranja jedinice, zaustavite motor, sačekajte da se svi pokretni delovi zaustave i izvadite bateriju. Nepoštovanje ovih uputstava može izazvati ozbiljne telesne povrede ili oštećenje imovine.

⚠ UPOZORENJE: Tokom servisiranja, koristite samo identične rezervne delove. Upotreba bilo kakvih drugih delova može da dovede do opasnosti ili da izazove oštećenje proizvoda. Da bi se osigurala sigurnost i pouzdanost, sve popravke treba da radi kvalifikovani servisni tehničar.

OPŠTE ODRŽAVANJE

Izbegavajte korišćenje rastvarača kada čistite plastične delove. Većina plastike je podložna oštećenjima od raznih tipova komercijalnih rastvarača i može se oštetiti njihovom upotrebom. Koristite čiste krpe da uklonite zemlju, prašinu, ulje, masnoću itd.

ČIŠĆENJE JEDINICE

- Koristite meku četku da uklonite prljavštinu iz svih ulaza za vazduh i sa noža za sečenje.
- Da biste uklonili smolu i druge lepljive ostatke, poprskajte noževe rastvaračem smole. Nakratko pokrenite motor da bi se rastvarač ravnomerno rasporedio.
- Ne koristite jake deterđente na plastičnom kućištu i drški. Mogu ih oštetiti određena aromatična ulja, poput bora i limuna, i rastvarači poput kerozina. Vлага može da izazove i opasnost od strujnog udara. Obrišite svu vlagu mekom suvom krpom. Nikad ne koristite vodu za čišćenje ovog alata.

OŠTRENJE NOŽA ZA SEČENJE

Kad učinak i ponašanje sečenja počnu da opadaju, tj. kad se noževi često zakačinju za grane: Ponovo naoštrite noževe za sečenje.

Preporučuje se da noževe za sečenje oštrite kod kvalifikovanog servisnog tehničara.

NAPOMENA: Ne rukujte trimenom za živicu sa tupim ili oštećenim noževima za sečenje. To može da izazove preopterećenje i daće nezadovoljavajuće rezultate sečenja.

PODMAZIVANJE NOŽA

Da biste sprečili rđu, preporučuje se da podmazujete noževe uljem protiv korozije kad ih skladištite na duže vreme.

⚠ UPOZORENJE: Noževi su oštri. Kad rukujete sklopom noža, nosite čvrste zaštitne rukavice koje se ne klizu. Ne stavljajte šake ili prste između noževa ili u bilo koji položaj gde se možete uštinuti ili poseći. NIKAD ne dodirujte noževe i ne servisirajte jedinicu kad je baterija instalirana.

PODMAZIVANJE PRENOSNIH ZUPČANIKA

Prenosni zupčanci u menjaču brzina treba periodično da se podmazuju mazivom za zupčanike. Proveravajte nivo maziva u menjaču brzina na svakih oko 50 sati rada tako što ćete ukloniti zaptivni vijak na menjaču brzina. Postoje tri zaptivna vijaka; jedan je na bočnoj strani a dva na gornjoj strani.

Ako se mazivo ne vidi na bočnim stranama zupčanika, pratite korake ispod da biste sipali mazivo za zupčanike do 3/4 kapaciteta.

Nemojte potpuno napuniti prenosne zupčanike.

1. U zavisnosti od toga koji vijak uklanjate, držite trimer za živicu na bočnoj strani ili ga položite na zadnju stranu tako da zaptivni vijak koji treba ukloniti bude okrenut nagore (slika O i P).
2. Pomoću priloženog ključa olabavite zaptivni vijak i uklonite ga.
3. Pomoću šprica za mazivo (nije priložen) ubrizgajte malo maziva u rupicu vijaka; nemojte prekoračiti 3/4 kapaciteta.
4. Zategnite zaptivni vijak posle ubrizgavanja.

SKLADIŠTENJE JEDINICE

- Izvadite bateriju iz alata.
- Temeljno očistite alat pre no što ga uskladištite.

- Stavite navlaku za nož na nož za sečenje pre skladištenja ili transportovanja. Budite oprezni da biste izbegli oštre zube noževa.
- Ako trimer za živicu skidate sa pogonske glave i skladištite zasebno, stavite krajnju kapicu na vratilo dodatka da biste izbegli ulaženje prljavštine u spojnicu.
- Skladištite jedinicu na suvom, dobro provetrenom mestu, zaključanu ili na visini, van domašaja dece. Ne skladištite jedinicu na ili pored đubriva, benzina ili drugih hemikalija.

Zaštita životne sredine



Ne odlažite električnu opremu, punjače baterija i baterije/punjive baterije u kućni otpad!

Prema evropskom zakonu 2012/19/EU, električna i elektronska oprema koja više nije upotrebljiva, te prema evropskom zakonu 2006/66/EC, defektne ili ispražnjene baterije, moraju se prikupljati zasebno.

Ako se električni aparati odlažu na deponije ili đubrišta, opasne supstance mogu da iscure u podzemne vode i dospetu u lanac ishrane, nanoseći štetu vašem zdravlju i dobrobiti.

REŠAVANJE PROBLEMA

PROBLEM	UZROK	REŠENJE
Trimer za živicu ne radi.	<ul style="list-style-type: none"> ■ Baterija nije spojena na trimer za živicu. ■ Nema električnog kontakta između trimera za živicu i baterije. ■ Baterija je prazna. ■ Dugme za zaključavanje nije pritisnuto pre pritiskanja okidača. ■ Baterija ili pogonska glava su prevrući. ■ Nož je zaglavljen. ■ Trimer za živicu nije dobro spojen sa pogonskom glavom. 	<ul style="list-style-type: none"> ■ Spojite bateriju na trimer za živicu. ■ Izvadite bateriju, proverite kontakte i ponovo instalirajte bateriju. ■ Napunite bateriju. ■ Pritisnite nadole polugu za otključavanje i držite je, zatim pritisnite okidač da biste uključili alat. ■ Ostavite bateriju ili pogonsku glavu da se hlade dok temperatura ne padne ispod 67 °C. ■ Izvadite bateriju iz alata. Pažljivo uklonite začepljenje a zatim ponovo umetnite bateriju i ponovo pokrenite alat. ■ Odvojite trimer za živicu od pogonske glave. Ponovo ih spojite prateći odeljak „INSTALIRANJE DODATKA NA POGONSKU GLAVU“ u priručniku za rukovaoca za PH1400E.
Dolazi do prekomernih vibracija ili buke.	<ul style="list-style-type: none"> ■ Suvi ili korodirani noževi. ■ Noževi ili nosač noža su savijeni. ■ Savijeni ili oštećeni zubi. ■ Labavi zavrtnji noža. 	<ul style="list-style-type: none"> ■ Podmažite noževe. ■ Zamenite novim nožem ili nosačem. Obratite se EGO servisnom centru radi zamene noža ili nosača. ■ Zamenite novim nožem ili nosačem. Obratite se EGO servisnom centru radi zamene noža ili nosača. ■ Zategnite zavrtnje noža. Ključem (nije priložen) okrenite zavrtnj u smeru kazaljke na satu da biste ga zategnuli.

GARANCIJA

EGO POLITIKA GARANCIJE

Posetite veb-lokaciju egopowerplus.com za potpune uslove i odredbe EGO politike garancije.

SR

PROČITAJTE UPUTSTVO U CIJELOSTI!



PROČITAJTE KORISNIČKI PRIRUČNIK

⚠ Preostale opasnosti! Osobe s elektroničkim uređajima poput srčanih elektrostimulatora prije upotrebe ovog proizvoda trebaju se posavjetovati sa svojim ljekarom. Rad električne opreme u neposrednoj blizini srčanih elektrostimulatora može uzrokovati smetnju ili kvar srčanog elektrostimulatora.

⚠ UPOZORENJE! Radi osiguranja sigurnosti i pouzdanosti, sve popravke i zamjene treba obavljati kvalifikovani servisni tehničar.

SIGURNOSNI SIMBOLI

Svrha sigurnosnih simbola je skretanje pažnje na moguće opasnosti. Sigurnosni simboli i njihova objašnjenja zahtijevaju vašu potpunu pažnju i razumijevanje. Sami simboli upozorenja sami po sebi ne isključuju opasnost. Uputstva i upozorenja koja pružaju nisu zamjena za propisne mjere za prevenciju nesreća.

⚠ UPOZORENJE! Prije upotrebe ovog alata pobrinite se da sva sigurnosna uputstva u ovom korisničkom priručniku, uključujući sve sigurnosne simbole kao što su "OPASNOST", "UPOZORENJE" i "OPREZ" pročitate s razumijevanjem. Zanemarivanje svih uputstava navedenih u nastavku može rezultirati strujnim udarom, požarom i/ili teškim tjelesnim povredama.

ZNAČENJE SIMBOLA

⚠ SIGURNOSNI SIMBOL UPOZORENJA: ukazuje na **OPASNOST**, **UPOZORENJE** ili **OPREZ**. Može se upotrebljavati u kombinaciji s drugim simbolima ili piktogramima.



⚠ UPOZORENJE! Rukovanje električnim alatima može rezultirati odbacivanjem stranih predmeta u oči, što opet može izazvati teška oštećenja očiju. Prije početka rukovanja električnim alatom, uvijek nosite zatvorene zaštitne naočale ili zaštitne naočale s bočnim štitnicima, a prema potrebi i štitnik za cijelo lice. Preporučujemo nošenje sigurnosne maske proizvođača Wide Vision preko naočala, ili nošenje standardnih zaštitnih naočala s bočnim štitnicima.

SIGURNOSNA UPUTSTVA

Na ovoj stranici slikovno su prikazani i objašnjeni sigurnosni simboli koji se mogu pojaviti na ovom proizvodu. Prije pokušaja sastavljanja i rukovanja, s razumijevanjem pročitajte sva uputstva na proizvodu i pridržavajte ih se.

	Simbol upozorenja	Ukazuje na potencijalnu opasnost od tjelesnih povreda.
	Pročitajte korisnički priručnik.	Radi smanjenja opasnosti od povreda, prije upotrebe ovog proizvoda korisnik treba s razumijevanjem pročitati ovaj korisnički priručnik.
	Nosite zaštitu za oči.	Kada upotrebljavate ovaj proizvod, uvijek nosite zatvorene zaštitne naočale ili zaštitne naočale s bočnim štitnicima i štitnik za cijelo lice.
	Nosite zaštitu za glavu.	Radi zaštite glave nosite odobrenu sigurnosnu kacigu.
	Nosite zaštitu za sluh.	Kada rukujete ovim proizvodom, uvijek nosite zaštitu za sluh.
	Dužina noža	Dužina noža
	Kapacitet rezanja	Maks. kapacitet rezanja noža
	Ruke i stopala držite podalje od reznog alata.	Nemojte nikada pokušavati da rukujete električnim alatom jednom rukom. Gubitak kontrole nad električnim alatom može rezultirati teškim ili smrtonosnim povredama. Radi smanjenja opasnosti od posjekotina, držite ruke i stopala podalje od reznog alata. Nemojte nikada pričvršćivati pokretni rezni alat rukom ili drugim dijelom tijela.

	Druge prisutne osobe držite na udaljenosti.	Pobrinite se da druge osobe i kućni ljubimci ostanu na udaljenosti od najmanje 15 m od makaza za živicu tokom upotrebe.
	Ne izlažite uređaj kiši.	Uređaj nemojte upotrebljavati na kiši ili nemojte ga ostavljati na otvorenom kada pada kiša.
IPX4	IP simbol	Zaštita od prodiranja vode, stepen 4
	Oznaka CE	Ovaj proizvod je u skladu s primjenjivim Direktivama EU.
	WEEE	Otpadni električni proizvodi ne smiju se odlagati s otpadom iz domaćinstva. Odnosite ih u ovlašteni centar za reciklažu.
	Buka	Zagarantovani nivo zvučne snage. Emisija buke u okruženju u skladu je s Direktivom Evropske unije.
mm	Milimetar	Dužina ili dimenzija
V	Volt	Napon
cm	Centimetar	Dužina ili dimenzija
kg	Kilogram	Masa

VAŽNA SIGURNOSNA UPUTSTVA

⚠ UPOZORENJE! Pri upotrebi električnih vrtnih uređaja potrebno je uvijek pridržavati se osnovnih mjera opreza radi izbjegavanja opasnosti od požara, strujnog udara i tjelesnih povreda uključujući sljedeće:

PAŽLJIVO PROČITAJTE PRIJE UPOTREBE.

SAČUVAJTE ZA BUDUĆE POTREBE.

⚠ OPASNOST! Nemojte upotrebljavati alat u blizini električnih strujnih vodova. Jedinica nije predviđena za pružanje zaštite od strujnog udara u slučaju kontakta s nadzemnim električnim vodovima. Pridržavajte se lokalnih propisa za sigurne udaljenosti od nadzemnih električnih strujnih vodova i prije rukovanja alatom osigurajte siguran radni položaj.

SIGURNOSNA UPOZORENJA ZA MAKAZE ZA ŽIVICU

⚠ OPASNOST! Držite ruke podalje od noža. Kontakt s nožem može rezultirati teškim tjelesnim povredama.

- Sve dijelove tijela držite podalje od reznog noža. Kada se noževi kreću, nemojte uklanjati odrezani materijal ili nemojte držati materijal koji je potrebno rezati. Kada čistite zaglavljene materijal, uvjerite se da je prekiđač u isključenom položaju. Trenutak nepažnje tokom rada s makazama za živicu može rezultirati teškim tjelesnim povredama.
- Na uređajima s određenim položajem za transport (rezni nož sklopljen ravno uz dršku makaza za živicu): nemojte nikada pokretati uređaj u položaju za transport jer noževi nisu aretirani u tom položaju i zbog toga nije moguće vizuelno provjeriti da li će se zaustaviti u praznom hodu kada počnete podešavati rezni nož u željeni položaj rezanja (na mjestu gdje su noževi aretirani).
- Makaze za živicu nosite za rukohvat zaustavljenog reznog noža. Kada transportujete ili skladištite makaze za živicu, uvijek stavite navlaku za rezni uređaj. Propisnim rukovanjem makazama za živicu smanjit će se moguće tjelesne povrede od reznih noževa.
- Nemojte zahvaćati izložene rezne noževe ili rezne bridove kada uzimate ili držite makaze za živicu.
- Električni alat držite samo za izolirane površine rukohvata jer rezni nož može dotaknuti skrivene kabele. Ako rezni noževi dotaknu kabel koji provodi struju, postoji opasnost da izloženi metalni dijelovi električnog alata isto provode struju što za rukovaoca može predstavljati opasnost od strujnog udara.
- Držite kabel podalje od područja rezanja. Tokom rada kabel može biti zaklonjen od pogleda u grmlju i može se nehotično prerezati nožem.
- Prije rukovanja provjerite ima li u živici stranih predmeta, npr. žičane ograde.
- Radi smanjenja rizika od povreda uslijed gubitka kontrole nad uređajem, budite apsolutno sigurni da je nož podalje od vas i svih drugih prepreka i predmeta, uključujući tlo, jer kada se alat pokrene, brzina motora bit će dovoljno visoka da aktivira i pomakne rezni nož u alat.
- Nemojte dozvoliti drugim osobama ulazak u radno područje. Pobrinite se da druge osobe i kućni ljubimci ostanu na udaljenosti od najmanje 15 m od makaza za živicu tokom upotrebe.

- Nemojte nikada dozvoliti da djeca rukuju makazama za živicu.
 - Makazama za živicu rukujte objema rukama. Rukovanje jednom rukom može uzrokovati gubitak kontrole i rezultirati teškim tjelesnim povredama.
 - Nemojte se previše naginjati prema naprijed. Cijelo vrijeme održavajte propisno držanje i ravnotežu. Potreban je poseban oprez u klizavim uslovima (mokro tlo, snijeg) i na teškom, preraslom terenu. Pazite na skrivene prepreke kao što su panjevi stabala, korijenje i jarci kako biste izbjegli pale grane, grmlje i odrezane komade. Budite vrlo oprezni pri radu na nagibima ili neravnom tlu.
 - Alat nemojte upotrebljavati na ljestvama, krovu, stablu ili drugoj nestabilnoj podlozi. Stabilno uporište na tvrdoj površini omogućuje bolju kontrolu nad makazama za živicu u neočekivanim situacijama.
 - Stalno pazite na rezne noževe – nemojte rezati područja živice koja ne možete vidjeti. Kada režete vrh viših živica, često provjeravajte drugu stranu živice u pogledu prolaznika, životinja i prepreka.
 - Prije daljnje upotrebe makaza za živicu provjerite ima li oštećenih dijelova. Provjerite jesu li pokretni dijelovi centrirani i spojeni, ima li polomljenih dijelova, jesu li dijelovi montirani i postoji li stanje koje može negativno uticati na rad uređaja.
 - Često provjeravajte propisnu pritegnutost montažnih vijaka noža i motora. Pregledajte nož na postojanje oštećenja (npr. da li je savijen, napukao i istrošen). Nož zamijenite samo s nožem proizvođača EGOTM.
 - Zamijenite nož ako je savijen ili napukao. Necentrirani nož uzrokuje vibracije koje mogu oštetiti pogonsku jedinicu motora ili tjelesne povrede.
 - Ako oprema počne neuobičajeno vibrirati, zaustavite motor i odmah potražite uzrok. Vibracije u pravilu ukazuju na problem.
 - Makaze za živicu smiju se upotrebljavati za rezanje stabljika debljine manje od 26 mm.
 - Šišajte samo na dnevnom svjetlu ili pri dobrom umjetnom osvjetljenju.
 - Makaze za živicu na baterijski pogon nemojte upotrebljavati na kiši.
 - Bateriju je potrebno odložiti u otpad na siguran način.
 - Nemojte odlagati bateriju u vatru. Čelije mogu eksplodirati. Za uputstva o mogućem posebnom odlaganju provjerite lokalne propise.
 - Nemojte otvarati i razdvajati bateriju. Oslobođeni elektrolit je korozivan i može oštetiti oči ili kožu. U slučaju gutanja može biti otrovan.
- ⚠ OPREZ!** Elektrolit je razrijeđena sumporna kiselina koja je štetna za kožu i oči. Električno je vodljiva i korozivna.
- Budite oprezni pri rukovanju baterijama kako biste izbjegli kratko spajanje baterije s vodljivim materijalima, kao što su prsteni, narukvice i ključevi. Baterija ili provodnik mogu se pregrijati i uzrokovati opekotine.
 - Baterijske alate nije potrebno uključivati u električnu utičnicu, stoga su uvijek u radnom stanju. Imajte na umu moguću opasnost čak i kada alat ne radi. Budite oprezni pri obavljanju radova održavanja ili servisiranja.
 - Izvadite komplet baterija prije servisiranja, čišćenja ili uklanjanja materijala iz alata.
 - Zamjenski dijelovi – Kod radova servisiranja upotrebljavajte samo identične zamjenske dijelove proizvođača EGO. Upotreba drugog pribora ili priključka može povećati opasnost od povreda.
 - Servisiranje električnog alata prepustite kvalifikovanom osoblju za popravak koje upotrebljava samo identične zamjenske dijelove. Time će se osigurati održavanje sigurnosti električnog alata.
 - Uređaj nemojte prati crijevom; izbjegavajte da voda dospje u motor i električne priključke.
 - Alat skladištite na suhom i visokom ili zaključanom mjestu van dohvata djece.
 - Ako se pojave situacije koje nisu obuhvaćene ovim priručnikom, postupite oprezno i uz dobru procjenu. Za pomoć se obratite servisnom centru proizvođača EGO.
 - Sačuvajte ova uputstva. Uputstvima se koristite često i koristite ih za upućivanje drugih osoba koje mogu koristiti ovaj alat. Ako ovaj alat nekom posudite, priložite i ovo uputstvo radi sprečavanja nepropisne upotrebe proizvoda i mogućih povreda.

DODATNA UPOZORENJA

- Komplet baterija nemojte puniti na kiši ili na mokrim mjestima.
- Upotrebljavajte samo s kompletima baterija i punjačima koji su navedeni na sl. A.
- Komplet baterija je potrebno izvaditi iz uređaja prije odlaganja u otpad.

SAČUVAJTE OVA UPUTSTVA!

NAPOMENA! ZA DODATNE POSEBNE SIGURNOSNE PROPISE POGLEDAJTE KORISNIČKI PRIRUČNIK POGONSKJE JEDINICE.

BS

TEHNIČKI PODACI

Dužina noža	51 cm	
Kapacitet rezanja	26 mm	
Masa (bez kompleta baterija)	2,20 kg	
Preporučena radna temperatura	0°C-40°C	
Preporučena temperatura skladištenja	-20°C-70°C	
Izmjereni nivo zvučne snage L_{WA}	92,3 dB(A) K=2,72 dB(A)	
Nivo zvučnog pritiska kod uha rukovaoca L_{PA}	80,4 dB(A) K=3 dB(A)	
Zagarantovani nivo zvučne snage L_{WA} (izmjereno u skladu s Direktivom 2000/14/EZ)	95 dB(A)	
Procjena vibracija a_n	Prednji pomoćni rukohvat	4,9 m/s ² K=1,5 m/s ²
	Stražnji rukohvat	6,7 m/s ² K=1,5 m/s ²

- Gore navedeni parametri ispitani su i izmjereni za uređaj opremljen pogonskom jedinicom PH1400E.
- Deklarisane ukupne vrijednosti vibracija izmjerene su u skladu sa standardnom metodom ispitivanja i mogu se primjenjivati za poređenje jednog alata s drugim.
- Deklarisane ukupne vrijednosti vibracija mogu se primjenjivati i u preliminarnoj procjeni izloženosti.

NAPOMENA! Emisija vibracija tokom aktualne upotrebe električnog alata može se razlikovati od deklarirane vrijednosti u kojoj se alat upotrebljavao; Korisnik radi zaštite treba nositi rukavice i štitnike za uši u aktualnim uslovima upotrebe.

LISTA PAKOVANJA

NAZIV DIJELA	KOLIČINA
Priključak makaza za živicu	1
Ključ	1
Navlaka za nož	1
Korisnički priručnik	1

OPIS

UPOZNAJTE SVOJ PRIKLJUČAK MAKAZA ZA ŽIVICU (sl. A)

1. Rezni nož
2. Zupčanik

250

3. Okidač
4. Drška makaza za živicu
5. Mekani naglavak
6. Ručica za podešavanje
7. Kućište prijenosnika
8. Ključ
9. Navlaka za nož
10. Štitnik za vrh (opcija, PRODAJE SE ZASEBNO)

SASTAVLJANJE

⚠ UPOZORENJE! Ako je bilo koji dio oštećen ili ako nedostaje, nemojte upotrebljavati ovaj proizvod dok ne zamijenite dijelove. Upotreba ovog proizvoda oštećenih dijelova ili dijelova koji nedostaju može rezultirati teškim tjelesnim povredama.

⚠ UPOZORENJE! Nemojte pokušavati da modifikujete ovaj proizvod ili da pravite pribor koji nije preporučen za upotrebu s ovim makazama za živicu. Sve takve izmjene ili modifikacije predstavljaju nepropisnu potrebu i mogu rezultirati opasnim stanjima koja mogu dovesti do mogućih teških tjelesnih povreda.

⚠ UPOZORENJE! Priključak nemojte nikada pričvršćivati ili podešavati dok pogonska jedinica radi ili kada je baterija postavljena. Zanemarivanje zaustavljanja motora i vađenja baterije može rezultirati teškim tjelesnim povredama.

PODEŠAVANJE REZNOG NOŽA

Kada se makaze za živicu izvade iz pakovanja, potpuno su rasklopljene pri čemu je ugao između noža i drške makaza za živicu 180° (sl. B). Preporučujemo da rezni nož namjestite u odgovarajući radni položaj prije pričvršćivanja na pogonsku jedinicu.

Postoji 9 mogućih radnih položaja. Ugao reznog noža može se namjestiti nagore u 5 faza od 0° (ravno) do 45°, uključujući 0°, i nadalje u 4 faza od 0° do 52° (desni ugao okrenut prema dolje) (sl. C), ne uključujući 0°.

1. Pritisnite okidač na ručici za podešavanje i okrenite ručicu za podešavanje da podesite rezni nož u željeni položaj rezanja (sl. D).
2. Otpustite okidač po dostizanju željenog položaja. Zvučno klikanje ukazuje da je blokirni klin pravilno ulegao na mjesto u zupčaniku (sl. D).

Opis dijelova na sl. D pogledajte u nastavku:

D-1	Zupčanik
D-2	Blokirni klin

⚠ UPOZORENJE! Radi smanjenja opasnosti od povreda, podešavanje obavite samo kada se rezni noževi zaustave. Prilikom postupka podešavanja nemojte nikada dodirivati noževe.

⚠ UPOZORENJE! Radi smanjenja opasnosti od povreda, uvijek zaustavite alat i postavite navlaku za nož prije pomjeranja reznog noža u položaj skladištenja ili iz položaja skladištenja u normalan radni položaj.

PRIKLJUČIVANJE/SKIDANJE PRIKLJUČKA MAKAZA ZA ŽIVICU NA POGONSKU JEDINICU/S POGONSKE JEDINICE

Ovaj priključak makaza za živicu predviđen je za upotrebu s pogonskom jedinicom s LITIJ-IONSKOM baterijom PH1400E od 56 V proizvođača EGO. Osim položaja rezanja s gornje strane, u dršci makaza za živicu postoji i položaj rezanja s bočne strane za povezivanje s pogonskom jedinicom (sl. E). Za detaljne radne tehnike pogledajte poglavlje "RADNE TEHNIKE" u ovom priručniku.

Opis dijelova na sl. E pogledajte u nastavku:

E-1	Položaj rezanja s gornje strane
E-2	Položaj rezanja s bočne strane

Za priključivanje makaza za živicu na pogonsku jedinicu pogledajte poglavlje "POSTAVLJANJE PRIKLJUČKA NA POGONSKU JEDINICU" u korisničkom priručniku pogonske jedinice PH1400E.

Za skidanje makaza za živicu s pogonske jedinice pogledajte poglavlje "SKIDANJE PRIKLJUČKA S POGONSKE JEDINICE" u korisničkom priručniku pogonske jedinice PH1400E.

POSTAVLJANJE ŠTITNIKA ZA VRH (opcija)

1. Za uklanjanje kratkog vijka, ravne podloške, čahure i matice na kraju reznog noža upotrijebite inbus ključ (sl. F). Ravnu podlošku, čahuru i maticu sačuvajte za ponovno postavljanje.

Opis dijelova na sl. F pogledajte u nastavku:

F-1	Matica	F-3	Ravna podloška
F-2	Čahura	F-4	Kratki vijak

2. Poravnajte štitičnik za vrh s izbočinom na reznom nožu i postavite ga na njegovo mjesto. Pričvrstite ga s novim dugačkim vijkom i maticom, kao i sačuvanom podloškom, čahuricom i maticom (sl. G).

Opis dijelova na sl. G pogledajte u nastavku:

G-1	Matica	G-4	Čahura
G-2	Štitičnik za vrh	G-5	Ravna podloška
G-3	Matica	G-6	Dugački vijak

RAD

⚠ OPASNOST! Nemojte nikada rezati u blizini strujnih vodova, električnih kabela ili drugih električnih izvora. Ako se rezni noževi zaglave u strujni kabel ili vod, **NEMOJTE DODIRIVATI REZNI NOŽ ILI ALUMINIJSKU ŠIPKU! ONI MOGU POSTATI ELEKTRIČNO VODLJIVI I VRLO OPASNI.** Makaze za živicu nastavite držati za izolirani stražnji rukohvat ili ih na siguran način položite na tlo i podalje od sebe. Prije pokušaja oslobađanja reznog noža iz strujnog voda ili kabela isključite strujno napajanje oštećenog voda ili kabela. Kontakt s reznim nožem, drugim vodljivim dijelovima makaza za živicu ili električnim kabelima ili vodovima pod naponom može rezultirati smrću ili teškim povredama uslijed strujnog udara.

⚠ UPOZORENJE! Nemojte dozvoliti da vas poznavanje ovog proizvoda učini nepažljivim. Imajte na umu da je za nanošenje teških povreda dovoljan samo djelić sekunde nepažnje.

⚠ UPOZORENJE! Uvijek nosite zaštitu za oči, zajedno sa zaštitom za sluh. Nepostupanje u skladu s tim može rezultirati odbacivanjem predmeta u oči i drugim mogućim teškim povredama.

Prije svake upotrebe pregledajte cijeli proizvod na postojanje oštećenih, nedostajućih ili otpuštenih dijelova, kao što su vijci, matice, osovinice, kapice, itd. Dobro pritegnite sve pričvrstne elemente i kapice i nemojte upotrebljavati ovaj proizvod dok ne postavite sve dijelove koji nedostaju ili zamijenite sve oštećene dijelove.

⚠ UPOZORENJE! Radi sprečavanja teških tjelesnih povreda, prije servisiranja, čišćenja, promjene priključaka ili uklanjanja materijala iz jedinice izvadite komplet baterija iz alata.

Očistite alat nakon svake upotrebe.

Za uputstva za čišćenje pogledajte poglavlje Održavanje.

PRIMJENE

Ovaj proizvod možete upotrebljavati za šišanje živica, šiblja, šikare, grmova i sličnog materijala prečnika grana manjeg od 26 mm.

NAPOMENA! Alat se smije upotrebljavati samo za prethodno opisanu namjenu. Svaka druga upotreba smatra se nepropisnom upotrebom.

UPOTREBA MAKAZA ZA ŽIVICU S POGONSKOM JEDINICOM

⚠ UPOZORENJE! Obucite se propisno kako biste smanjili rizik od povreda tokom rukovanja alatom. Nemojte nositi široku odjeću ili nakit. Nosite zaštitu za oči i uši/sluh. Nosite robusne duge hlače, čizme i rukavice. Nemojte nositi kratke hlače, sandale ili biti bosonogi.

PRIPREMA ZA REZANJE:

1. Namjestite rezni nož u željeni radni položaj.
2. S reznog noža skinite navlaku za nož.
3. Radi sigurnog i boljeg rada stavite ramenu traku preko ramena. Podesite ramenu traku u položaj ugodan za rad. Za pričvršćivanje ramene trake na pogonsku jedinicu pratite uputstva u poglavlju "POSTAVLJANJE RAMENE TRAKE" u korisničkom priručniku PH1400E.

⚠ UPOZORENJE! Ramena traka je i mehanizam za brzo otpuštanje u opasnim situacijama. U slučaju nužde ramenu traku odmah skinite s ramena, bez obzira na način na koji je stavljena.

RADNE TEHNIKE

■ Vodoravno rezanje (s reznim nožem pod uglom)

Režite u blizini tla iz stojećeg položaja, npr. nisko šiblje.

Pomjerajte rezni nož prema gore i dolje uz pomjeranje duž živice – upotrebljavajte obje strane reznih noževa, nemojte spuštati rezni nož na tlo (sl. H).

■ Vodoravno rezanje (s ravnim reznim nožem)

Držite rezni nož pod uglom od 0° do 10° uz vodoravno pomjeranje makaza za živicu. Pomjerajte rezni nož u luku prema vanjskim stranama živice tako se odrezani komadi mogu počistiti s tla (sl. I, J i K).

Preporuka: u ovom radnom položaju šišajte samo živice niže od visine prsa.

■ Okomito rezanje (s reznim nožem pod uglom)

Rezanje bez stajanja direktno pored živice, npr. gredica cvijeća između rukovaoca i živice.

U ovom položaju rezanja za bolju kontrolu nad makazama za živicu preporučujemo da ih priključite na pogonsku jedinicu u položaju za rezanje s bočne strane (pogledajte sl. E).

Pomjerajte rezni nož prema gore i dolje u luku uz pomjeranje duž živice – upotrebljavajte obje strane reznih noževa (sl. L).

■ Okomito rezanje (s ravnim reznim nožem)

Vrlo dugačak doseg bez potrebe za drugim pomoćnim sredstvima.

Pomjerajte rezni nož prema gore i dolje u luku uz pomjeranje duž živice – upotrebljavajte obje strane reznih noževa (sl. M).

■ Rezanje iznad glave (s reznim nožem pod uglom)

Držite makaze za živicu u okomitom položaju i pomjerajte ih u luku kako biste maksimalno iskoristili njihov doseg (sl. N). Za ekstremno visoku živicu kao pomoćno sredstvo za šišanje prikladna je produžna šipka.

⚠ UPOZORENJE! Svaki radni položaj iznad visine glave umara. Radi smanjenja opasnosti od nesreća, u ovim položajima radite samo kratko vrijeme. Podesite ugao podesivog reznog noža na maksimalnu postavku tako da se alat može nositi u nižem, manje umarajućem položaju (s ramenom trakom) istovremeno uz adekvatan doseg.

POKRETANJE/ZAUSTAVLJANJE ALATA

Pogledajte poglavlje "POKRETANJE/ZAUSTAVLJANJE POGONSKE JEDINICE" u korisničkom priručniku pogonske jedinice PH1400E.

ODRŽAVANJE

⚠ UPOZORENJE! Prije pregleda, čišćenja ili servisiranja jedinice, zaustavite motor, pričekajte da se svi pokretni dijelovi zaustave i izvadite komplet baterija. Nepostupanje prema ovim uputstvima može rezultirati teškim povredama ili materijalnom štetom.

⚠ UPOZORENJE! Kada obavljate radove servisiranja, upotrebljavajte samo identične zamjenske dijelove. Upotreba drugih dijelova može uzrokovati opasnost ili oštećenje proizvoda. Radi osiguranja sigurnosti i pouzdanosti, sve popravke treba obavljati kvalifikovani servisni tehničar.

OSNOVNO ODRŽAVANJE

Kada čistite plastične dijelove, izbjegavajte upotrebljavati rastvore. Mnoge plastike mogu se oštetiti različitim vrstama komercijalnih rastvora i mogu se oštetiti njihovom upotrebom. Za uklanjanje prljavštine, prašine, ulja, masti i sl. upotrebljavajte čiste krpe.

ČIŠĆENJE JEDINICE

- Za uklanjanje naslaga iz svih ulaznih otvora za zrak i reznog noža upotrebljavajte mekanu četku.

- Za uklanjanje smole i drugih ljepljivih ostataka po noževima raspršite rastvor za uklanjanje smole. Nakratko uključite motor radi ravnomjerne raspodjele rastvora.
- Za čišćenje plastičnog kućišta ili rukohvata nemojte upotrebljavati jake deterdžente jer mogu ih oštetiti neka aromatična ulja, kao što su borovo i limunovo ulje i rastvori kao što je kerozin. Vлага može izazvati opasnost od strujnog udara. Vlažna mjesta obrišite mekanom suhom krpom. Za čišćenje alata nemojte nikada upotrebljavati vodu.

OŠTRENJE REZNOG NOŽA

Kada učinak i snaga rezanja i počnu slabiti, npr. kada noževi često zastaju u granama: ponovno naoštrite rezne noževe.

Preporučujemo da oštrenje reznih noževa prepustite kvalifikovanom servisnom tehničaru.

NAPOMENA! Makaze za živicu nemojte upotrebljavati s tupim ili oštećenim reznim noževima. To može uzrokovati preopterećenje alata i rezultirati nezadovoljavajućim rezultatima rezanja.

PODMAZIVANJE NOŽA

Radi sprečavanja nastanka hrđe, preporučujemo da noževe kod skladištenja na duže vrijeme podmazate uljem za zaštitu od hrđanja.

⚠ UPOZORENJE! Noževi su oštri. Kada rukujete sklopom noževa, nosite neklizajuće zaštitne rukavice za teške uslove rada. Nemojte stavljati ruku ili prste između noževa ili u bilo koji položaj gdje se mogu priklješiti ili posjeci. Nemojte NIKADA dodirivati noževe ili servisirati jedinicu s postavljenim kompletom baterija..

PODMAZIVANJE PRIJENOSNIKA

Prijenosnike u kućištu potrebno je povremeno podmazivati mašću za prijenosnike. Nivo masti u kućištu prijenosnika provjeravajte svakih 50 radnih sati uklanjanjem brtvenog vijka na kućištu. Postoje tri brtvena vijka, jedan s bočne strane i dva s gornje strane.

Ako se na bočnim stranama prijenosnika ne vidi mast, za punjenje s mašću za prijenosnike do 3/4 zapremine pratite korake u nastavku.

Prijenosnik nemojte puniti u cijelosti.

1. Zavisno od toga koji vijak uklanjate, makaze za živicu držite bočno ili ih položite na stražnju stranu tako da brtveni vijak koji želite ukloniti bude okrenut prema gore (sl. O i P).
2. Za otpuštanje i uklanjanje brtvenog vijka upotrijebite isporučeni ključ.

3. Za ubrizgavanje masti u provrt za vijke upotrebljavajte mazalicu (nije u sadržaju isporuke); nemojte prekoračiti 3/4 zapremine.
4. Brtveni vijak pritegnite nakon ubrizgavanja.

SKLADIŠTENJE JEDINICE

- Izvadite komplet baterija iz alata.
- Alat dobro očistite prije skladištenja.
- Prije skladištenja ili transporta na rezni nož stavite navlaku. Budite oprezni kako biste izbjegli oštre zube noževa.
- Ako se makaze za živicu uklanjaju s pogonske jedinice i zasebno skladište, na osovinu priključka stavite krajnju kapicu kako biste izbjegli da nečistoća dospije u spojku.
- Jedinicu skladištite na suhom, dobro prozračenom mjestu koje je moguće zaključati ili koje je na visini van dohvata djece. Jedinicu nemojte skladištiti na gnojivima, benzinu ili drugim hemikalijama ili u njihovoj blizini.

Zaštita životne sredine



Električnu opremu, punjač baterija i baterije/punjive baterije ne odlažite u kućni otpad!

Evropska Direktiva 2012/19/EU o električnoj i elektroničkoj opremi koja više nije iskoristiva i Evropska Direktiva 2006/66/EZ zahtijevaju da se neispravni ili iskorišteni kompleti baterija/baterije moraju sakupljati zasebno.

Ako se električni uređaji odlažu na odlagališta otpada ili deponije, opasne tvari mogu iscurjeti u podzemne vode i dospjeti u lanac ishrane i negativno uticati na zdravlje i dobrobit ljudi.

OTKLANJANJE PROBLEMA

PROBLEM	UZROK	RJEŠENJE
Makaze za živicu ne rade.	<ul style="list-style-type: none"> ■ Komplet baterija nije pričvršćen na makaze za živicu. ■ Nema električnog kontakta između makaza za živicu i baterije. ■ Komplet baterija je ispražnjen. ■ Dugme za deblokadu nije pritisnuto prije pritiska na okidač. ■ Komplet baterija je previše vruć ili je pogonska jedinica previše vruća. ■ Nož se zaglavio. ■ Makaze za živicu nisu dobro priključene na pogonsku jedinicu. 	<ul style="list-style-type: none"> ■ Pričvrstite komplet baterija na makaze za živicu. ■ Izvadite bateriju, provjerite kontakte i ponovo stavite komplet baterija. ■ Napunite komplet baterija. ■ Pritisnite ručicu za deblokadu i držite je pritisnutom, a zatim pritisnite okidač kako biste uključili alat. ■ Pričekajte da se komplet baterija ili pogonska jedinica ohlade na temperaturu ispod 67 °C. ■ Izvadite komplet baterija iz alata. Pažljivo uklonite zapreku, a zatim ponovo stavite bateriju i pokrenite alat. ■ Skinite makaze za živicu s pogonske jedinice. Ponovno priključivanje makaza za živicu obavite prema uputstvima iz poglavlja "POSTAVLJANJE PRIKLJUČKA NA POGONSKU JEDINICU" u korisničkom priručniku pogonske jedinice PH1400E.
Prevelike vibracije ili buka.	<ul style="list-style-type: none"> ■ Suhi ili korodirani noževi. ■ Noževi su savijeni ili je držač noževa savijen. ■ Savijen ili oštećen nož. ■ Otpušteni vijci noža. 	<ul style="list-style-type: none"> ■ Podmažite noževe. ■ Stavite novi nož ili držač noža. Za zamjenu noža ili držača noža obratite se servisnom centru proizvođača EGO. ■ Stavite novi nož ili držač noža. Za zamjenu noža ili držača noža obratite se servisnom centru proizvođača EGO. ■ Pritegnite vijke noža. Za pritezanje, ključem (nije u sadržaju isporuke) okrenite vijak u smjeru kretanja kazaljki na satu.

GARANCIJA

POLITIKA GARANCIJE PROIZVOĐAČA EGO

BS

Za sve odredbe i uslove politike garancije proizvođača EGO posjetite internetsku stranicu egopowerplus.com.

קראו את כל ההוראות!



קראו את מדריך ההוראות

⚠ סיכון שיווי! אנשים בעלי מכשירים חשמליים כגון קוצבי לב, צריכים להתייעץ עם הרופא(ים) המטפל(ים) בהם לפני השימוש במכשיר זה. הפעלה של ציוד חשמלי בקרבת קוצבי לב עלולה להפריע לפעולת הקוצב או אפילו להפסיק את פעולתו.

⚠ אזהרה: על מנת להבטיח בטיחות ואמינות, יש לבצע את כל התיקונים וההחלפות בעזרת טכנאי שירות מוסמך.

סימני בטיחות

מטרתם של סימני הבטיחות היא למשוך את תשומת לבכם אל סכנות אפשריות. סימני הבטיחות וההסברים שלהם דורשים את תשומת הלב וההבנה המלאות שלכם. סימני הבטיחות בעצמם לא ימנעו כל סכנה. ההוראות והאזהרות אותן הם מספקים לא תחלפנה נקיטת אמצעי מניעה מתאימים בעת תאונה.

⚠ אזהרה: וודאו שאתם קוראים ומבינים את כל הוראות הבטיחות המופיעות במדריך זה למשתמש, כולל את כל סימני התיאור הבטיחות כגון „סכנה“, „אזהרה“ ו-„זהירות“ לפני השימוש במכשיר זה. אי מילוי אחר כל ההוראות המופיעות למטה יכול לגרום להלם חשמלי, שרפה ו/או פציעות אישיות חמורות.

פירוש הסימן

סימן התרעת בטיחות: מעיד על „סכנה“, „אזהרה“ או „זהירות“. יכול להיות מלווה בסימנים או תמונות אחרים.

⚠ אזהרה: הפעלה של כלי עבודה חשמליים עלולה לגרום לעצמים זרים להיזרק אל תוך העיניים, דבר העלול לגרום לנזק חמור לעיניים. לפני הפעלה של כלי עבודה חשמלי, ענדו תמיד משקפי מגן או משקפי בטיחות עם הגנה צדדית, ובעת הצורך, הגנה עבור כל הפנים. אנו ממליצים על שימוש במסכת בטיחות רחבה מעל למשקפי המגן או על שימוש במשקפי בטיחות עם הגנה צדדית.

הוראות בטיחות

עמוד זה מציין ומתאר את סימני הבטיחות העשויים להופיע על גבי המוצר. קראו, הבינו ועקבו אחר ההוראות המופיעות על המכשיר לפני כל ניסיון להרכיב ולהשתמש בו.

	התרעת בטיחות	מראה על סכנת פציעה אישית פוטנציאלית.
	קראו את המדריך למשתמש	על מנת להפחית את הסיכון לפציעות, על המשתמש לקרוא ולהבין את המדריך למשתמש לפני השימוש במוצר זה.
	לבשו מגני עיניים	חבשו תמיד משקפי מגן או משקפי בטיחות עם הגנה צדדית, ובעת הצורך, הגנה עבור כל הפנים, בעת הפעלת מוצר זה.
	לבשו מגני ראש	חבשו קסדת בטיחות מאושרת על מנת להגן על הראש שלכם.
	לבשו מגני אוזניים	השתמשו תמיד במגני אוזניים בעת הפעלת מוצר זה.
	אורך הלהב 51cm	אורך הלהב
	יכולת חיתוך Ø 26mm	מקסימום יכולת החיתוך של הלהב
	שימרו על הידיים והרגליים הרחק מכלי החיתוך	לעולם אל תנסו להפעיל את הכלי החשמלי ביד אחת. עשוי להיגרם אובדן שליטה בכלי החשמלי הגורם לפציעה חמורה או קטלנית. כדי להפחית את הסיכון לפציעות של חתכים, הרחיקו את הידיים והרגליים מכלי החיתוך. לעולם אל תחברו כלי חיתוך נע באמצעות ידכם או כל איבר אחר בגופכם.
	בקשו מאנשים אחרים להתרחק	וודאו שאנשים אחרים וחיות מחמד נמצאים במרחק של לפחות 15 מ' מגוזם הגדרות בעת השימוש בו.

	נא לא לחשוף לגשם	נא לא להשתמש במזג אוויר גשום או להשאיר בחוץ בגשם.
IPX4	מל PI	הגנה מפני כניסה של מים בדרגה 4
	CE	מוצר זה תואם לתקנות ה-EC הרלוונטיות.
	WEEE	אין לזרוק מוצרים חשמליים ביחד עם אשפה ביתית. הביאו את המכשיר למרכז מחזור מוסמך.
	רעש	רמת עוצמת קול מובטחת. פליטת רעש אל הסביבה בהתאם לתקנת האיחוד האירופי.
V	ולט	מתח
mm	מילימטר	אורך או גודל
cm	סנטימטר	אורך או גודל
kg	קילוגרם	משקל

הוראות בטיחות חשובות

⚠ אזהרה! בעת השימוש במכשירי גיזון חשמליים, יש לעקוב תמיד אחר אמצעי הזהירות הבסיסיים על מנת להפחית את הסיכון לשרפות, שוק חשמלי או פציעות אישיות, כולל:

קראו בעיון לפני השימוש

שמרו לעיון עתיד

⚠ סכנה! אל תפעילו ליד קווי מתח חשמליים. היחידה לא תוכננה כדי לספק הגנה מלם חשמלי בקרה של מגע עם קווי חשמל עיליים, עיינו בתקנות המקומיות למרחק בטוח מקווי חשמל עיליים וודאו שתנוחת ההפעלה בטוחה ומאובטחת לפני הפעלת הכלי.

אזהרות בטיחות עבור גוזם הגדרות

⚠ סכנה! שימרו על הידיים הרחק מן הלהב. מגע עם הלהב יגרום לפציעות אישיות חמורות.

- שימרו על כל חלקי הגוף הרחק מלהב החיתוך. אל תסירו חומר חיתוך או תחזיקו חומרים לחיתוך כאשר הלהבים נעים. וודאו שהמתג כבוי בעת ניקוי חומרים תקועים. רגע אחד של חוסר תשומת לב בעת הפעלת גוזם הגדרות עלול לגרום לפציעה אישית חמורה.

- במכשירים עם מצב שינוע מוגדר (להב החיתוך מקופל באופן שטוח כנגד מוט גוזם הגדרות): לעולם אל תפעילו את המכשיר במצב השינוע,

מכיוון שהלהבים אינם מחוברים במצב זה ולכן אינם יכולים לבדוק באופן חזותי כדי לראות שהם יעצרו במצב סרק כאשר תתחילו לכוון את להב החיתוך לתנוחת החיתוך הרצויה (בה הלהבים מחוברים).

- שאו את גוזם הגדרות באמצעות הידית כאשר להב החיתוך אינו פועל. בעת הובלה או אחסון של גוזם הגדרות, התקינו תמיד את מסכה התקן החיתוך. טיפול נכון בגוזם הגדרות יפחית את הסיכון לפציעות אישיות מלהבי החיתוך.
- אל תחזיקו את להבי החיתוך החשופים או את קצוות החיתוך בעת ההרמה או ההחזקה של גוזם הגדרות.
- החזיקו את המכשיר החשמלי בעזרת משטחי המאחז המבודדים בלבד, בגלל שלהב הגוזם עלול לפגוע בכבלים חבויים. להבים הבאים במגע עם כבל «חי» עלולים לגרום לחלקי מתכת של הכלי החשמלי להיות «חיים» ועלולים לגרום שוק חשמלי למפעיל.
- שימרו על הכבל הרחק מאזור החיתוך. בזמן ההפעלה הכבל עלול להיות חבוי בתוך שיחים והלהב יכול לחתוך אותם בטעות.
- בדקו את הגדר לאיתור עצמים זרים לפני ההפעלה, כגון גדרות תיל.
- על מנת להפחית את הסיכון לפציעה כתוצאה מאובדן שליטה, היו בטוחים לחלוטין שלהב החיתוך רחוק מכם ומכל חסימה או חפץ אחר, כולל הקרקע, מכיוון שכאשר הכלי מתחיל לפעול מהירות המנוע תהיה מהירה דיה גדי להפעיל ולהזיז את להב החיתוך על הכלי.
- אל תאפשרו לאנשים אחרים להיות באזור העבודה הכללי. וודאו שאנשים אחרים וחיות מחמד נמצאים במרחק של לפחות 15 מ' מגוזם הגדרות בעת השימוש בו.
- לעולם אל תרשו לילדים להפעיל את גוזם הגדרות.
- השתמשו בשתי הידיים בעת ההפעלה של גוזם הגדרות. השימוש ביד אחת בלבד עלול לגרום לאבדן שליטה ולפציעה אישית חמורה.
- אל תנסו להתמתח רחוק מדי. שימרו על צעד ואיזון בטוחים בכל זמן. יש לנקוט בזהירות יתירה בתנאים מחליקים (קרקע רטובה, שלג) ובשטח מסוכן ומגודל. הישמרו מפני מכשולים סמויים כגון גזעי עצים כרותים, שורשים, ותעלות כדי להימנע מפני ענפים שנפלו, צמחיה נמוכה וצמחים קטועים. יש לנקוט בזהירות יתירה בעת עבודה על מדרון או קרקע לא אחידה.
- אין להשתמש בעת עמידה על סולם, גג, עץ או מקום לא יציב אחר. עמידה יציבה על גבי משטח מוצק מעניקה שליטה טובה יותר על גוזם הגדרות במצבים לא צפויים.

- הסיר את מארז הסוללה לפני ביצוע של כל עבודות תיקון, ניקיון או הסרה של חומרים מהכלי.
 - חלקי חילוף - במקרה של עבודות תיקון, השתמשו רק בחלקי חילוף זהים של EGO. השימוש באביזרים או חיבורים אחרים עלול להגדיל את הסיכון לפציעות.
 - בצעו עבודות שירות על המכשיר החשמלי שלכם רק באמצעות טכנאי שירות מוסמך העושה שימוש בחלקי חילוף זהים בלבד. הדבר יבטיח שבטיחות המכשיר החשמלי נשמרת.
 - נא לא לשטוף את המכשיר בעזרת צינור; מנעו ממים להיכנס אל המנוע ואל חיבורי החשמל.
 - אחסנו את הכלי במקום יבש וגבוה או נעול הרחק מהישג ידם של ילדים.
 - אם תיתקלו במצבים שאינם מתוארים במדריך זה, פעלו בזהירות ובעזרת שכל ישר. צרו קשר עם מרכז השירות של EGO לעזרה.
 - שימרו על הוראות אלו. עיינו בהם בתדירות גבוהה והשתמשו בהם על מנת להדריך אחרים אשר עשויים להשתמש במכשיר. אם אתם מלווים את הכלי למישהו אחר, תנו לו גם את ההוראות הללו על מנת למנוע שימוש לא נכון של המכשיר או פציעות אפשריות.
- שימרו על הוראות אלה**
- הערה: עיינו בהוראות השימוש לראש חשמלי לכלי בטיחות ספציפיים נוספים.**



- אל תטעינו את מארז הסוללה בתנאי גשם, או במקומות יבשים.
- Aהשתמשו רק עם מארזי הסוללה והמטענים הרשומים באיור
- יש להסיר את מארז הסוללה מן הציוד טרם זריקתו.
- יש להשליך את הסוללות בדרך בטוחה.
- אל תזרקו את הסוללה אל תוך אש חיה. התאים שבה עלולים להתפוצץ. בדקו עם הרשויות המקומיות להוראות השלכה מיוחדות.
- אל תפתחו או תשחיתו את הסוללה. מוליכי חשמל משוחררים גורמים לקורזיה ועלולים לגרום לנזק לעיניים או לעור. הם עלולים להיות רעילים בעת הבליעה.
- **⚠ זיהרות!** האלקטרוליט היא חומצה גופריתית מדוללת המזיקה לעור ולעיניים. הוא מוליך חשמלי ומאכל.
- היו זהירים בעת הטיפול בסוללות על מנת לא לגרום לקצר סוללה עם חומרים מוליכים כגון טבעות, צמידים ומפתחות. הסוללה או המוליך עלולים להתחמם ולגרום לכוויות.
- כלי הסוללה לא צריכים להיות מחוברים אל החשמל; לכן, הם תמיד נמצאים במצב הפעלה. היו מודעים לסכנות גם כאשר המכשיר איננו פועל. היו זהירים בעת ביצוע עבודות תחזוקה או שירות.

מפרטים

אורך הלהב	51 ס"מ	
יכולת חיתוך	26 מ"מ	
משקל (ללא מארז סוללה)	2.20 ק"ג	
טמפרטורת הפעלה מומלצת	0°C-40°C	
טמפרטורת אחסון מומלצת	-20°C-70°C	
רמת עוצמת קול נמדדת L_{WA}	92.3 dB(A) K=2.72 dB(A)	
רמת לחץ קול באוזן המפעיל L_{PA}	80.4 dB(A) K=3 dB(A)	
רמת עוצמת קול מובטחת L_{WA} (נמדד בהתאם ל-2000/14/EC)	95 dB(A)	
הערכת רטט a_h	ידיית עזרה קדמית	4.9 מ'/שנייה ² K=1.5 מ'/שנייה ²
	ידיית אחורית	6.7 מ'/שנייה ² K=1.5 מ'/שנייה ²

- הפרמטרים לעיל נבדקים ונמדדים ביחד עם ראש חשמלי PH1400E;

HE

257

- ערך הרטט הכללי המוצהר נמדד בהתאם לשיטת בדיקה סטנדרטית וניתן להשתמש בו על מנת להשוות ציוד אחד עם ציוד אחר;
- ניתן להשתמש בערך הרטט הכללי המוצהר בהערכה ראשונית של חשיפה.

הודעה: פליטת הרטט בעת השימוש המעשי בכלי יכולה להיות שונה מן הערך המוצהר כאשר הכלי נמצא בשימוש; על מנת להגן על המפעיל, על המשתמש ללבוש כפפות ומגני אוזניים בעת השימוש למעשה.

רשימת אריזה

שם חלק	כמות
אביזר גוזם גדרות	1
מפתח ברגים	1
נדן הלהב	1
מדריך למפעיל	1

תיאור

הכירו את אביזר גוזם הגדרות שלכם (איור A)

1. להב חיתוך
2. מד גובה
3. הדק
4. מוט גוזם הגדרות
5. מכסה אחורי
6. ידית התאמה
7. תיבת הילוכים
8. מפתח ברגים
9. נדן הלהב
10. מגן קצה (אופציונלי, נמכר בנפרד)

הרכבה

⚠ אזהרה: אם ישנם חלקים ניזוקים או חסרים, אל תפעילו את המכשיר עד אשר חלקים אלו יוחלפו. שימוש במכשיר זה עם חלקים פגומים או חסרים עלול לגרום לפגיעה אישית חמורה.

⚠ אזהרה: אל תנסו לשנות את המוצר או ליצור אביזרים אשר אינם מומלצים לשימוש ביחד עם גוזם הגדרות. כל שינוי או הוספה שכזה מהווה שימוש לא נכון במכשיר ועלול לגרום לתנאים מסוכנים אשר יובילו לפגיעה אישית חמורה אפשרית.

⚠ אזהרה: לעולם אין לחבר או להתאים אביזר כלשהו כשהראש החשמלי פועל או כשהסוללה מותקנת. אי כיבוי המנוע והסרת הסוללה עלולים לגרום לפגיעה אישית חמורה.

התאמת להב החיתוך

כאשר גוזם הגדרות מוצא מהאריזה, הוא נפתח לגמרי ממצבו המקופל כשהזווית בין הלהב המוט גוזם הגדרות היא 180° (איור B). מומלץ להתאים את להב החיתוך לתנחות עבודה מתאימה לפני חיבורו לראש החשמלי.

ישנן 9 תנחות עבודה אפשריות. ניתן להתאים את זווית להב החיתוך כלפי מעלה ב-5° שלבים מ-0° (ישר) עד 45°, כולל 0°, וכלפי מטה ב-4° שלבים מ-0° עד 52° (זווית ישרה פונה כלפי מטה) (איור C), לא כולל 0°.

1. לחצו על ההדק על ידיית ההתאמה ותוך כדי כך סובבו את ידיית ההתאמה כדי להתאים את להב החיתוך לתנחות החיתוך הרצויה (איור D).
2. לאחר שהושגה התנחה הרצויה, שחררו את ההדק. צליל של קליק מצייין כי פין הנעילה מחובר למד בגובה, וממוקם כראוי במקומו (איור D).

ראו למטה תיאור חלקים בתמונה D:

D-1	מד גובה
D-2	פין נעילה

⚠ אזהרה: כדי להפחית את הסיכון לפגיעה, בצעו את ההתאמה רק כאשר להבי החיתוך נמצאים ללא תנועה. לעולם אל תגוו בלהבים בזמן ביצוע התאמות.

⚠ אזהרה: כדי להפחית את הסיכון לפגיעה, עצרו תמיד את הכלי והתקינו את נדן הלהב לפני העברת להב החיתוך לתנחות האחסון או מתנחות האחסון לתנחות העבודה הרגילה.

חיבור/הסרה של אביזר גוזם הגדרות מהראש החשמלי

אביזר גוזם גדרות זה מיועד לשימוש עם ראש חשמלי PH1400E ליתיום-יון EGO 56V. מלבד החיתוך העליון ישנו מצב לחיתוך צדדי במוט גוזם הגדרות לחיבור עם הראש החשמלי (איור E). טכניקות עבודה מפורטות ניתן למצוא בפרק "טכניקות עבודה" במדריך זה. ראו למטה תיאור חלקים בתמונה E:

E-1	מצב חיתוך עילי
E-2	מצב חיתוך צדדי

עיינו בסעיף "חיבור אביזר לראש החשמלי" במדריך למשתמש של הראש החשמלי PH1400E לחיבור גוזם הגדרות לראש החשמלי.

עיינו בסעיף „ הסרת האבזר מהראש החשמלי” במדריך למשתמש של הראש החשמלי PH1400E להסרת גוזם הגדרות מהראש החשמלי.

הרכבת מגן הקצה (אופציונלי)

1. השתמשו במפח משושה כדי להוציא את הבריח הקצר, הדסקית הפשוטה, השיח והאום בקצה הלהב החיתוך (איור F). שמרו על הדסקית הפשוטה, השיח והאום להרכבה מחדש.

ראו למטה תיאור חלקים בתמונה F:

F-1	אום	F-3	דסקית פשוטה
F-2	שיח	F-4	בריח קצר

2. יישרו את קצה המגן עם הבלטיה על להב החיתוך והרכיבו אותו במקומו. אבטחו את הבריח הארוך החדש והאום וכן את הדסקית, השיח והאום ששמרתם (איור G).

ראו למטה תיאור חלקים בתמונה G:

G-1	אום	G-4	שיח
G-2	מגן קצה	G-5	דסקית פשוטה
G-3	אום	G-6	בריח ארוך

⚠ אזהרה: על מנת למנוע פציעות אישיות חמורות, הסירו את מארז הסוללה מן הכלי לפני ביצוע כל עבודות שירות, ניקיון, החלפת אבזרים או הסרה של חומרים מן היחידה.

לאחר כל שימוש, נקו את הכלי.

עיינו בסעיף תחזוקה להוראות הניקוי.

יישומים

אתם יכולים להשתמש במכשיר זה על מנת לגזום גדרות, שיחים צמחיה סבוכה, עצים קטנים וחומרים דומים עם קוטר ענף של פחות מ-26 מ"מ.

הודעה: יש להשתמש במכשיר רק עבור המטרות להן הוא יועד. כל שימוש אחר ייחשב לשימוש בלתי הולם.

השימוש בגוזם הגדרות עם הראש החשמלי

⚠ אזהרה: לבשו בגדים מתאימים על מנת להפחית את הסיכון לפציעות בעת השימוש בכלי זה. אל תלבשו בגדים רפויים או תכשיטים. השתמשו בהגנה לעיניים / אוזניים. לבשו מכנסיים כבדים, ארוכים, מגפיים וכפפות. אל תלבשו מכנסיים קצרים או סנדלים ואל תפעילו כאשר אתם יחפים.

הכנה לחיתוך

1. התאמת הלהב החיתוך לתנוחת העבודה הרצויה.

2. הסירו את נדן הלהב מלהב החיתוך.

3. עבור הפעלה טובה ובטוחה יותר, לבשו את רצועת הכתף מעל לכתף. התאימו את רצועת הכתף לתנוחת הפעלה נוחה. ביצוע ההוראות בסעיף „הרכבת רצועת הכתף” במדריך למשתמש של PH1400E כדי לחבר את רצועת הכתף לראש החשמלי.

⚠ אזהרה: רצועת הכתף מהווה גם מנגנון שחרור מהיר במצבים מסוכנים. בעת מצב חירום, הסירו אותה מיד, ללא קשר לכיוון בו היא נמצאת.

טכניקות עבודה

• **חיתוך לרוחב (עם להב החיתוך בזווית):**

חתכו קרוב לקרקע מתנוחת עמידה כגון שיחים נמוכים.

הניפו את הלהב החיתוך למעלה ולמטה בזמן שאתם עוברים לאורך הגדר - השתמשו בשני הצדדים של להבי החיתוך, אל תניחו את הלהב החיתוך על הקרקע (איור H)

• **חיתוך לרוחב (עם להב החיתוך ישר)**

החזיקו את הלהב החיתוך בזווית של 0° עד 10° בזמן הנפת גוזם הגדרות במאוזן. הניפו את להב החיתוך בקשת לכיוון החלק החיצוני של הגדר כדי שהחיתוכים יטואטאו לקרקע (איור J, I ו-K).



⚠ סכנה: לעולם אין לחתוך ליד קווי חשמל, חוטי חשמל או מקורות חשמל אחרים. אם הלהב החיתוך נתקעים בחוט או כבל חשמלי, אל תיגעו בלהב החיתוך או במוט האלומיניום! הם עלולים להפוך לאחיים ועלולים להיות מסוכנים מאד. המשיכו להחזיק את הגוזם בעזרת הידית האחורית המבודדת או הניחו אותו למטה ובמרחק ממכם בצורה בטוחה. נתקו את המתח מן החוט או הכבל הניזוקים לפני כל ניסיון לשחרר את הלהב החיתוך מן החוט או הכבל. מגע עם הלהב החיתוך, חלקים מוליכים אחרים של גוזם הגדרות או חוטי או קווי חשמל „חיים” תגרום למוות מהתחשמלות או לפציעה חמורה.

⚠ אזהרה: אל תניחו לעובדה שאתם מכירים את המוצר להפוך אתכם לפחות זהירים. זכרו שחוסר זהירות של שבריר אחד של שנייה מספיק לגרום לפציעה אישית חמורה.

⚠ אזהרה: חבשו תמיד משקפי הגנה, ביחד עם מגני שמיעה. אם לא תעשו זאת עצמים עלולים להיזרק אל תוך העיניים שלכם ועלולות להיגרם פציעות חמורות אחרות.

לפני כל שימוש בדקו את כל המוצר עבור חלקים ניזוקים, משוחררים או חסרים, כגון ברגים, אומים, בריחים, מכסים וכו'. הדקו בבטחה את כל האבזמים והמכסים ואל תפעילו את המוצר עד אשר חלקים חסרים או ניזוקים תוקנו או הוחלפו.

המלצה: גזמו רק גדרות שאינן גבוהות מגובה החזה, בתנחת עבודה זו.

• **חיתוך לאורך (עם להב החיתוך בזווית): גיזום מבלי לעמוד בצמוד לגדר, כגון, ערוגת פרחים בין המפעיל לגדר.**

בתנחת חיתוך זו, לשליטה טובה יותר שלכם בגוזם הגדרות, מומלץ לחבר את גוזם הגדרות לראש החשמלי בתנחת החיתוך הצדדי (ראו איור E).

הניפו את להב החיתוך למעלה ולמטה בצורת קשת בזמן שאתם עוברים לאורך הגדר - השתמשו בשני הצדדים של להב החיתוך (איור L).

• **חיתוך לאורך (עם להב החיתוך ישר):** טווח הגעה ארוך במיוחד ללא צורך בעזרים אחרים.

הניפו את להב החיתוך למעלה ולמטה בצורת קשת בזמן שאתם עוברים לאורך הגדר - השתמשו בשני הצדדים של להב החיתוך (איור M).

• **חיתוך עילי (עם להב החיתוך בזווית)**

החזיקו את גוזם הגדרות בצורה אנכית והניפו אותו בקשת כדי לעשות שימוש מירבי בטווח ההגעה שלו (איור N). לגדר גבוהה במיוחד, מוט ההארכה מתאים לסיוע בגיזום.

⚠ אזהרה: כל תנחת עבודה מעל גובה הראש היא מעייפת. כדי להקטין את הסיכון לתאונות, פעלו בתנחות אלה לזמן קצר בלבד. קבעו את זווית של להב החיתוך הניתן להתאמה כך שניתן יהיה לאחוז את הכלי בתנוחה נמוכה יותר ופחות מעייפת (עם רצועת הכתף) תוך כדי המשך אספקת טווח הגעה מתאים.

להפעלה/לכיבוי של כלי העבודה

עיינו בסעיף „הפעלה/כיבוי של הראש החשמלי” במדריך למשתמש של הראש החשמלי PH1400E.

תחזוקה

⚠ אזהרה: לפני בדיקה, ניקיון או עבודות שירות עבור היחידה, עצרו את המנוע, חכו שכל החלקים הנעים יפסיקו את פעולתם והסירו את מארז הסוללה. אי ביצוע הוראות אלה עשוי לגרום לפגיעה אישית חמורה או נזק לרכוש.

⚠ אזהרה: במקרה של עבודות תיקון, השתמשו רק בחלקי חילוף זהים. שימוש בחלקי חילוף אחרים עלול לגרום לסכנה או נזק למוצר. על מנת להבטיח בטיחות ואמינות, יש לבצע את כל התיקונים וההחלפות בעזרת טכנאי שירות מוסמך.

תחזוקה כללית

הימנעו משימוש בממסים כאשר אתם מנקים חלקי פלסטיק. רוב חלקי הפלסטיק עלולים להינזק מסוגים שונים של ממסים מסחריים ועל ידי השימוש בהם. השתמשו במטליות נקיות על מנת להסיר לכלוך, אבק, שמן, חומר סיכה וכו'.

נקו את היחידה

- השתמשו במברשת רכה על מנת להסיר פסולת מכל פתחי האוורור ומלהב החיתוך.
- על מנת להרים ולהסיר פסולת נדבקת אחרת, רסו את הלהב עם ממש שרף. הפעילו את המנוע לזמן קצר על מנת להפיץ את הממש בצורה אחידה.
- אל תעשו שימוש בחומרי ניקוי חזקים על תא הפלסטיק או על גבי הידית. עלול להיגרם להם נזק על ידי שמנים ארומטיים למיניהם, כגון אורן או לימון, או על ידי ממסים כגון נפט. לחות עלולה גם לגרום לסכנת שוק חשמלי. נקו כל לחות בעזרת מטלית רכה ויבשה. לעולם אל תעשו שימוש במים על מנת לנקות את הכלי.

השחזת להב החיתוך

כאשר ביצועי החיתוך מחילים להתדרדר, כלומר הלהבים נתקעים בתדירות על ענפים: השחזו מחדש את הלהב החיתוך.

מומלץ להשחז מחדש את סכני החיתוך אצל טכנאי שירות מוסמך.

הודעה: אל תפעילו את גוזם הגדרות שלכם עם הלהבים קהים או פגומים. הדבר יכול לגרום לעומס יתר ולתוצאות חיתוך בלתי מספקות.

שימון הלהב

כדי למנוע חלודה, מומלץ לשמן את הלהבים עם שמן למניעת חלודה כאשר הוא מאוחסן לזמן ארוך.

⚠ אזהרה: הלהבים חדים. בעת הטיפול בחיבור הלהב, לבשו כפפות מגן מוצקות, נגד החלקה. אל תניחו את הידיים או האצבעות בין הלהבים או בכל מקום בו ישנה סכנה שהן תיתכנה או תיתפסנה. לעולם אל תיגעו בלהב או תבצעו עבודות שירות למכשיר לפני הסרת מארז הסוללה.

שימון הילוכי התמסורת

יש לשמן את הילוכי התמסורת בתיבת הילוכים באופן קבוע עם שמן גיר. בדקו את מפלס שמן הגיר מידי 50 שעות של הפעלה על ידי הסרת בורג האיטום שבתיבת הילוכים. ישנם שלושה ברגי איטום כשאחד בצד ושניים למעלה.

אם לא ניתן לראות שמן על צדי הילוכים, בצעו את השלבים הבאים כדי למלאות את שמן הגיר עד 3/4 מהקיבולת.

שמירה על הסביבה



אל תיזרקו ציוד חשמלי, מטען הסוללה וסוללות/סוללות ניתנות לטעינה ביחד עם אשפה ביתית!
בהתאם לחוק האירופי 2012/19/EU, ציוד חשמלי ואלקטרוני אשר איננו נמצא יותר בשימוש, ובהתאם לחוק האירופי 2006/66/EC, ציוד חשמלי ואלקטרוני ניזוק, ייאספו באופן נפרד.
אם ציוד חשמלי נזרק ביחד עם אשפה ביתית או במזבלה, חומרים מסוכנים עלולים לדלוף אל האדמה ולהפוך לחלק משרשרת המזון, דבר העלול לגרום לנזק לבריאות ולרווחה שלכם.

אין למלא הילוכי התמסורת במלואם.

1. בהתאם לבורג שאתם מסירים, אחזו את גוזם הגדרות על צידו או השכיבו אותו על גבו כדי שבורג האיטום אותו יש להוציא יפנה כלפי מעלה (איור O-P-1).
2. השתמשו במפתח הברגים המצורף כדי לשחרר ולהוציא את בורג האיטום.
3. השתמשו במזרק שמן (לא מצורף) כדי להזריק חלק מהשמן לחור הבורג, אל תמלאו יותר מ-3/4 מהקיבולת.
4. הדקו את בורג האיטום לאחר ההזרקה.

אחסון היחידה

- הסירו את מארז הסוללה מן המכשיר.
- נקו את היחידה ביסודיות לפני אחסונה.
- שימו תמיד את נדן הלהב על להב החיתוך לפני אחסון או הובלה. היו זהירים והימנעו ממגע עם השיניים החדות של הלהבים.
- אם גוזם הגדרות מופרד מהראש החשמלי ומאוחסן בנפרד, חברו את מכסה הקצה על מוט האביזר כדי למנוע מלכלוך להיכנס לתוך המצמד.
- אחסנו את היחידה במקום יבש, מאוורר היטב, נעולה או במקום גבוה, הרחק מהישג ידם של ילדים. אל תאחסנו את היחידה קרוב לחומרי דשן, חומרי דלק או כימיקלים אחרים.

KRETTAN DERFSBEK
THE BEST IN BUILDING BUSINESS IN DENMARK

איתור וטיפול בבעיות

פתרון	סיבה	בעיה
<ul style="list-style-type: none"> ■ הצמידו את מארז הסוללה אל גוזם הגדרות. ■ הסירו את הסוללה, בדקו את החיבורים והתקינו מחדש את מארז הסוללה. ■ הסעינו את מארז הסוללה. ■ לחצו על דוושט הנעילה כלפי מטה והחזיקו אותה, לאחר מכן שחררו את ההדק על מנת להפעיל את הכלי. ■ אפשרו למארז הסוללה או לראש החשמלי להתקרר עד לטמפרטורה של פחות מ-67°C. ■ הסירו את מארז הסוללה מן המכשיר. הסירו את המחסום בזהירות ולאחר מכן החדירו מחדש את הסוללה והפעילו מחדש את המכשיר. ■ נתקו את גוזם הגדרות מהראש החשמלי. חברו אותם מחדש על פי סעיף „חיבור אביזר לראש החשמלי” במדריך למשתמש PH1400E. 	<ul style="list-style-type: none"> ■ מארז הסוללה איננו צמוד לגוזם הגדרות. ■ לא מתבצע חיבור חשמלי בין גוזם הגדרות לסוללה. ■ קיבולת מארז הסוללה ריקה. ■ כפתור הנעילה איננו לחוץ לפני הלחיצה על ההדק. ■ מארז הסוללה או הראש החשמלי חמים מדי. ■ הלהב תקוע. ■ גוזם הגדרות אינו מחובר כראוי לראש החשמלי. 	<p>גוזם הגדרות איננו עובד.</p>
<ul style="list-style-type: none"> ■ שמנו את הלהבים. ■ החליפו בלהב או תומך חדשים. צרו קשר עם מרכז שירות EGO להחלפת להב או תומך. ■ החליפו בלהב או תומך חדשים. צרו קשר עם מרכז שירות EGO להחלפת להב או תומך. ■ הדקו את בריחי הלהב. בעזרת מפתח ברגים (לא כלול), סובבו את הבורג בכיוון השעון להידוק. 	<ul style="list-style-type: none"> ■ הלהבים יבשים או עם קורוזיה. ■ הלהבים או תומכי הלהבים עקומים. ■ שיניים עקומות או ניזוקות. ■ בריחי להב משוחררים. 	<p>ישנו יתר רטט או רעש.</p>

אחריות

לש תירחאה תינידמ EGO
אנא בקרו באתר egopowerplus.com עבור התנאים וההתניות השלמים של מדיניות האחריות של EGO.

اقرأ جميع التعليمات!



اقرأ دليل التشغيل

⚠️ خطر زائد! الأشخاص الذين تم تركيب أجهزة طبية إلكترونية لهم، مثل منظم ضربات القلب، يجب عليهم استشارة الطبيب قبل استخدام هذا المنتج. لأن تشغيل معدات كهربائية بالقرب من منظم ضربات القلب قد ينشأ عنه خلل أو فشل في أداء منظم ضربات القلب.

⚠️ تحذير: لضمان السلامة والاعتمادية، يجب تنفيذ جميع أعمال الإصلاح واستبدال الأجزاء من قبل فني خدمة مؤهل.

رموز السلامة

الغرض من رموز السلامة هو جذب انتباهك إلى المخاطر المحتملة. رموز السلامة والشروح المصاحبة لها تستحق اهتمامك وفهمك الدقيق. تحذيرات كل رمز، بنفسها، لا تمنع وقوع أي خطر. التعليمات والتحذيرات التي تمنحك إياها لا تعد بديلاً عن تطبيق الإجراءات الملائمة لمنع وقوع الحوادث.

⚠️ تحذير: احرص على قراءة وفهم جميع تعليمات السلامة في دليل التشغيل هذا، بما في ذلك جميع رموز تنبيهات السلامة، مثل "خطر"، و"تحذير"، و"تنبيه"، قبل استخدام هذه الآلة. عدم اتباع جميع التعليمات الواردة أدناه قد يؤدي إلى حدوث صدمة كهربائية أو نشوب حريق أو التعرض للإصابة الشخصية، أحدها أو جميعها.

معنى الرمز



⚠️ رمز تنبيه السلامة: يشير إلى خطر أو تحذير، أو تنبيه، وقد يتم استخدامه بشكل متزامن مع الرموز أو الصور الكتابية الأخرى.

⚠️ تحذير: قد يؤدي تشغيل أي آلة عاملة بالطاقة إلى دخول أي أشياء غريبة في عينيك، وهو ما قد يؤدي إلى إلحاق أضرار خطيرة بالعين. قبل بدء تشغيل الآلة العاملة بالطاقة، احرص دائماً على ارتداء واقيات العينين ونظارات حماية العينين ذات دروع جانبية، ودرع واقٍ لكامل الوجه عند اللزوم. توصي بارتداء قناع السلامة واسع الرؤية لاستخدامه فوق نظارات العين أو نظارات السلامة العادية ذات الدروع الجانبية.

تعليمات السلامة

هذه الصفحة تصف وتشرح رموز السلامة التي قد تظهر على هذا المنتج. اقرأ جميع التعليمات المذكورة على الآلة وافهمها واتبعها قبل محاولة تجميع الآلة وتشغيلها.

	تنبيه سلامة	يشير إلى خطر محتمل للتعرض لإصابة شخصية.
	اقرأ دليل التشغيل	لحذر من خطر الإصابة، يجب على المستخدم قراءة وفهم دليل التشغيل قبل استخدام هذا المنتج.
	ارتد أدوات حماية العينين	رتد دائماً نظارات الحماية المزودة بواقيات على الجانبين، وينبغي ارتداء واقٍ لكامل الوجه أثناء تشغيل هذا المنتج.
	ارتد أدوات حماية الرأس	احرص على ارتداء خوذة أمان صلبة معتمدة لحماية رأسك.
	ارتد أدوات حماية الأذنين	احرص دائماً على ارتداء أدوات حماية الأذنين عند تشغيل هذا المنتج.
	طول الشفرة	طول الشفرة
	سعة القطع	الحد الأقصى لسعة القطع للشفرة
	أبق بيدك وقدميك بعيداً عن آلة القطع	لا تقم أبداً بتشغيل تلك العاملة بالطاقة باستخدام يد واحدة. لأن فقد التحكم في الآلة قد يؤدي لوقوع إصابات خطيرة أو مميتة. للحد من خطر التعرض لجروح، أبق بيدك وقدميك بعيداً عن آلة القطع. لا تقم أبداً بلمس أي آلة قطع وهي تتحرك بيدك أو أي جزء آخر من جسمك.
	أبق المراقبين بعيداً عن نطاق عمل الآلة	احرص على بقاء الأشخاص الآخرين والحيوانات الأليفة على مسافة لا تقل عن 15 متراً بعيداً عن جزارة السياج أثناء استخدامها.
	لا تُعرض المنتج للمطر	لا تستخدم المنتج تحت المطر أو أن تتركه في مكان مفتوح أثناء هطول المطر.
IPX4	رمز حماية المداخل IP	الحماية ضد دخول الماء، من الدرجة 4

	شهادة الجودة الأوروبية CE	هذا المنتج متوافق مع توجيهات شهادة الجودة الأوروبية (CE) المعمول بها.
	نفايات المعدات الكهربائية والإلكترونية (WEEE)	لا يجب التخلص من الأجهزة الكهربائية المستهلكة في النفايات المنزلية. توجه بالجهاز إلى مركز إعادة تدوير معتمد.
	مستوى قوة الصوت المضمون. انبعاثات الضوضاء في البيئة وفقاً لتوجيه الاتحاد الأوروبي.	
V	فولت	الجهد الكهربائي
mm	مليمتر	الطول أو الحجم
cm	سنتمتر	الطول أو الحجم
kg	كيلوجرام	الوزن

تعليمات سلامة هامة

⚠ تحذير! عند استعمال أجهزة الحدائق الكهربائية، لا بد من اتباع الاحتياطات الوقائية الأساسية لتجنب التعرض لخطر الحريق أو الصدمة الكهربائية أو الإصابة الشخصية، بما في ذلك ما يلي:
اقرأ التعليمات بعناية قبل الاستخدام.

احتفظ بالمعلومات الرجوع إليها كدليل مرجعي في المستقبل.

⚠ خطر! لا تقم بتشغيل الآلة بالقرب من خطوط التيار الكهربائي. لم يتم تصميم الوحدة لتقديم الحماية ضد الصدمات الكهربائية في حال ملامستها لخطوط الكهرباء العلوية، ولهذا عليك مراجعة اللوائح المحلية للتعرف على المسافات الآمنة بعيداً عن خطوط الكهرباء العلوية والتأكد من أن وضع التشغيل آمن قبل تشغيل الآلة.

تحذيرات السلامة الخاصة بجزارة السياج

⚠ خطر! احتفظ بيدك بعيداً عن الشفرة. تؤدي ملامسة الريش إلى حدوث إصابات شخصية خطيرة.

اجعل جميع أجزاء الجسم بعيدة عن شفرة القاطع. لا تقم بإزالة المواد المقطوعة أو تمسك بالمواد المراد قطعها أثناء حركة الشفرات. احرص على فصل التيار عن الآلة عند إزالة المواد المنحشرة. لحظة من عدم الانتباه أثناء تشغيل جزارة السياج قد تؤدي إلى تعرض الأشخاص لإصابات خطيرة.

بالنسبة للالات التي بها وضع نقل محدد (شفرة القاطع مطوية بشكل مسطح قبالة عمود جزارة السياج): لا تقم أبداً ببدء تشغيل الآلة وهي في وضع النقل، حيث أن الشفرات لا تكون معشقة في هذا الوضع، ومن ثم لا يمكنك فحصها ظاهرياً لترى ما إذا كانت ستتوقف في وضع التشغيل دون تعشيق أم لا عند بدء ضبط شفرة القاطع على وضع القاطع المرغوب (عندما تكون الشفرات معشقة).

احمل جزارة السياج من المقبض بينما شفرة القاطع متوقفة. عند نقل أو تخزين جزارة السياج، احرص دائماً على وضع

غطاء أدوات القطع بالآلة. التعامل الصحيح مع جزارة السياج سيقلل من تعرض الأشخاص للإصابة بفعل شفرات القاطع.

لا تمسك شفرات القاطع أو حواف القاطع المكشوفة أثناء التقاط جزارة السياج من الأرض أو إمساكها.

امسك بالآلة العاملة بالطاقة من أسطح الإمساك المعزولة فقط، لأن شفرة القاطع قد تلتصق بأسلاك مخفية. شفرات القاطع التي تلامس سلكاً "يتم به تيار" قد تجعل الأجزاء المعدنية من الآلة العاملة بالطاقة "يتم بها تيار"، وهو ما قد يتسبب في تعرض المستخدم لصدمة كهربائية.

احتفظ بالسلك بعيداً عن منطقة القاطع. قد يصبح السلك مخفياً أثناء التشغيل في الشجيرات، ومن ثم قد يتعرض القاطع بواسطة الشفرة دون قصد.

افحص السياج بحثاً عن أي أشياء غريبة قبل التشغيل، مثل أسلاك السياج.

للحد من خطر التعرض لإصابات بسبب فقد السيطرة على الآلة، تأكد من خلو نطاق العمل لشفرة القاطع منك ومن جميع العوائق والأشياء الأخرى، بما في ذلك الأرض، لأنه عند بدء تشغيل الآلة، ستصبح سرعة المحرك عالية بما يكفي لتشعيق شفرة القاطع الموجودة بالآلة وجعلها تدور.

لا تسمح بتواجد أشخاص آخرين في منطقة العمل. احرص على بقاء الأشخاص الآخرين والحيوانات الأليفة على مسافة لا تقل عن 15 متراً بعيداً عن جزارة السياج أثناء استخدامها.

لا تسمح أبداً للأطفال بتشغيل جزارة السياج.

استخدم كلتا يديك أثناء تشغيل جزارة السياج. لأن استخدام يد واحدة قد يفقد السيطرة على الآلة، وهو ما قد يؤدي لوقوع إصابات شخصية خطيرة.

لا تقف في مكان تضطر لمد يديك بعيداً. قف وأنت ثابت ومتوازن في جميع الأوقات. يجب عليك الحذر الشديد عند العمل في البيئات الزلقة (الأرض الرطبة، الثلج)، وفي المناطق كثيفة النمو التي تصعب الحركة فيها. انتبه للعوائق المخفية مثل جذوع الشجر والجذور والخنازق لتجنب الأفرع المسافطة على الأرض والأغصان والبقايا الناتجة عن عمليات القاطع. كن حذراً للغاية عند العمل على الأراضي الزلقة أو غير المعدة.

لا تستخدم المنتج وأنت واقف على سلم أو سطح أو شجرة أو أي مكان آخر غير ثابت. ينتج توافر موطن قدم ثابت في ظل وجود سطح صلب تحكماً أفضل في جزارة السياج في الظروف غير المتوقعة.

انتبه لشفرات القاطع في جميع الأوقات - لا تقم بالقطع في أي منطقة يكون السياج فيها غير مرئي لك. عند قطع الجزء العلوي لسياج عالي الارتفاع، تحقق من الجانب الآخر للسياج بانتظام للتأكد من عدم وجود أشخاص أو حيوانات أو عوائق.

افحص الأجزاء الثالثة قبل متابعة استخدام جزارة السياج. تحقق من محاذاة الأجزاء المتحركة، وإحكام ربطها، وعدم وجود أجزاء مكسورة، ومن تركيبها، وأية حالة أخرى قد تؤثر على تشغيلها.

افحص مسامير تثبيت الشفرة والمحرك بانتظام للتأكد من ربطها كما ينبغي. وكذا، افحص الشفرة بعينيك بحثاً عن أي علامات للتلوث (على سبيل المثال، وجود اثناء أو تشقق أو تآكل). يكون استبدال الشفرة بأخرى من شفرات شركة EGO™ الأصلية فقط.

- إذا حدثت حالات غير مذكورة في هذا الدليل، توخ الحذر واتخذ قرارات حكيمة. تواصل مع مركز الصيانة بشركة EGO طلبًا للدعم.
 - **احفظ هذه التعليمات.** راجعهم باستمرار واستخدمهم لتوجيه الآخرين عند استخدام هذه الآلة. إذا قمت بإقراض هذه الآلة لشخص آخر، أرفق معها هذه التعليمات لمنع سوء استخدام المنتج والإصابات المحتملة.
- احفظ هذه التعليمات**
- ملاحظة: راجع دليل تشغيل رأس الطاقة للتعرف على قواعد السلامة الإضافية المحددة.**

المواصفات

51 سم	طول الشفرة
26 مم	سعة القطع
2.20 كجم	وزن (بدون وحدة البطارية)
0 - 40 درجة مئوية	درجة حرارة التشغيل الموصى بها
20- - 70 درجة مئوية	درجة حرارة التخزين الموصى بها
92.3 ديسيبل(A) 2.72=K ديسيبل(A)	مستوى قوة الصوت المقتر L_{WA}
80.4 ديسيبل(A) 3=K ديسيبل(A)	مستوى ضغط الصوت عند أذن مشغل الآلة L_{PA}
95 ديسيبل(A)	مستوى قوة الصوت المضمون L_{WA} (تم قياسه وفقًا للمعيار (2000/14/EC)
4.9 م/ثانية 1.5=K م/ثانية	مقبض المساعدة الأممي
6.7 م/ثانية 1.5=K م/ثانية	المقبض الخلفي

- استبدل الشفرة إذا كانت مثنية أو بها تشققات. لأن الشفرة غير المتوازنة تتسبب في اهتزازات قد تؤدي لإتلاف وحدة إدارة المحرك أو وقوع إصابات شخصية.
 - إذا بدأت الآلة في الاهتزاز بشكل غير طبيعي، أوقف المحرك على الفور وافحصه بحثًا عن السبب. فالاهتزاز عادة ما يكون تحذيرًا بوجود مشكلة.
 - يجب استخدام الجازاة في قطع السياح التي يقل سمكها عن 26 مم.
 - لا تقم بالجزء سوى في ضوء النهار أو الضوء الصناعي الجيد.
 - لا تستخدم جازاة السياح العاملة بالبطارية أثناء هطول المطر.
- تحذيرات إضافية**
- لا تشحن مجموعة البطارية في المطر أو في الأماكن الرطبة.
 - لا تستخدم الآلة إلا مع مجموعات البطارية والشواحن المدرجة في الشكل A.
 - تجنب إزالة مجموعة البطارية من الجهاز قبل التخلص منه.
 - يجب التخلص من البطارية بشكلٍ آمن.
 - لا تقم بتعرض البطارية للنيران. فقد تنفجر خلالها. راجع القوانين المحلية للتعرف على أي تعليمات محتملة خاصة متعلقة بالتخلص من البطارية.
 - لا تفتح البطارية أو تفسدها. فإسائل الإلكتروليتي المرشح بسبب تآكل المعادن، وقد يسبب أضرارًا بالعينين أو الجلد. كما أنه قد يكون سامًا إذا تم بلعه.
- ⚠ تنبيه!** اسأل الإلكتروليتي عبارة عن حمض كبريتيك مخفف يمكنه الإضرار بالبشرة والعيون. فهو سائل موصل للكهرباء ومسبب للتآكل.
- كن حذرًا للغاية عند التعامل مع البطاريات كي لا تتسبب في حدوث دائرة قصر (فقد للدائرة) في البطارية عند التعامل مع الأغراض أمثال أقراط الأذن والأساور والمفاتيح. قد تتعرض البطارية أو الموصل للحرارة المفرطة ويتسبب في الإصابة بحروق.
 - لا تحتاج الآلات العاملة بالبطارية إلى توصيلها بمصدر تيار كهربائي؛ ولهذا فهي دائمًا ما تكون جاهزة للتشغيل. احذر المخاطر المحتملة، حتى عند عدم تشغيل الآلة. كن حذرًا عند تنفيذ أعمال الصيانة أو الخدمة.
 - اخلع مجموعة البطارية قبل إجراء أعمال الصيانة أو التنظيف أو إزالة المواد من الآلة.
 - قطع الغيار - استخدم فقط قطع غيار أصلية من شركة EGO عند إجراء أعمال الصيانة. لأن استخدام أي ملحقات أو مرفقات أخرى قد يزيد من خطر التعرض لإصابات.
 - ينبغي إجراء الصيانة على الآلة بواسطة فني إصلاح متخصص باستخدام قطع غيار أصلية مطابقة فقط. فهذا سيضمن المحافظة على سلامة الآلة.
 - لا تغسل المنتج بخرطوم الماء؛ وتجنب وصول الماء إلى المحرك والتوصيلات الكهربائية.
 - يكون تخزين الآلة في مكان جاف مرتفع عن الأرض أو مغلق، بعيدًا عن متناول أيدي الأطفال.

- تم اختبار المعايير أعلاه وقياسها أثناء تركيب رأس الطاقة PH1400E؛
- القيمة الكلية للاهتزاز الموضحة تم قياسها وفقًا لطريقة اختبار قياسية وقد تستخدم لمقارنة أداة بأخرى؛
- كما يمكن استخدام القيمة الكلية للاهتزاز الموضحة في التقييم التمهيدي للتعرض.

ملاحظة: قد تختلف انبعاثات الاهتزاز أثناء الاستخدام الفعلي للآلة العاملة بالطاقة عن القيمة المعلنة التي يتم استخدام الآلة فيها؛ ولحماية مشغل الآلة، ينبغي على المستخدم ارتداء قفازات وواقبات للأذن في ظروف الاستخدام الفعلية.

قائمة المحتويات

الكمية	اسم القطعة
1	ملحق جزارة السياج
1	مفتاح ربط
1	جراب الشفرة
1	دليل التشغيل

الوصف

تعرف على ملحق جزارة السياج (الشكل A)

1. شفرة القطع
2. تدرج مسنن
3. الزناد
4. عمود جزارة السياج
5. غطاء خارجي
6. ذراع الضبط
7. صندوق ناقل الحركة
8. مفتاح ربط
9. جراب الشفرة
10. واقي قمة الجزارة (اختياري، يباع منفصلاً)

التجميع

تحذير: إذا حدث تلف أو فقد في أي أجزاء، لا تقم بتشغيل هذا المنتج إلا بعد استبدال الأجزاء. استخدام هذا المنتج مع وجود أجزاء تالفة أو مفقود قد يؤدي إلى وقوع إصابات شخصية خطيرة.

تحذير: لا تحاول إجراء أي تعديلات على هذا المنتج أو ابتداء ملحقات غير موصى بها للاستخدام مع جزارة السياج هذه. أي تغيير أو تعديل من هذا النوع يعتبر سوء استخدام، وقد يؤدي إلى وضع خطير قد يتسبب في وقوع إصابات شخصية خطيرة محتملة.

تحذير: لا تقم أبداً بتكريب أو تعديل أي ملحق بينما رأس الطاقة تعمل أو البطارية قد تم تركيبها. عدم إيقاف المحرك وخلع البطارية قد يؤدي إلى وقوع إصابات شخصية خطيرة.

ضبط شفرة القطع

عند إخراج جزارة السياج من عبوتها، قم بفك طيها بالكامل بحيث تصبح الزاوية بين الشفرة وعمود جزارة السياج 180 درجة (الشكل B). من الموصى به ضبط شفرة القطع على وضع عمل ملائم قبل تركيبها في رأس الطاقة.

هناك 9 وضع عمل محتمل. يمكن ضبط زاوية شفرة القطع لأعلى على 5 مراحل من 0 درجة (مستقيمة) حتى 45 درجة، بما في ذلك الزاوية 0 درجة، ولأسفل على 4 مراحل من 0 درجة حتى 52 درجة (الزاوية اليمنى متجهة لأسفل) (الشكل C)، بما في ذلك الزاوية 0 درجة.

1. اضغط على الزناد الموجود بذراع الضبط، وفي أثناء ذلك أدر ذراع الضبط لضبط شفرة القطع وصولاً إلى وضع القطع المرغوب (الشكل D).

2. ما أن تصل إلى الوضع المرغوب، حرر الزناد. ستسمع نفرة صوتية تشير إلى تعشيق تيلة القفل في التدرج المسنن، الموجود على الجانب الأيمن (الشكل D).

الشكل D انظر أدناه للتعرف على شرح الأجزاء:

D-1	تدرج مسنن
D-2	تيلة القفل

تحذير: للحد من خطر التعرض لإصابات، لا تقم بتنفيذ أعمال الضبط إلا وشراف القطع متوقفة تماماً. لا تلمس أبداً الشفرات أثناء تنفيذ أعمال الضبط.

تحذير: للحد من خطر التعرض لإصابات، احرص دائماً على إيقاف الآلة وتثبيت جراب الشفرة قبل تحريك شفرة القطع إلى وضع التخزين، أو من وضع التخزين إلى وضع التشغيل العادي.

توصيل/خلع ملحق جزارة السياج برأس الطاقة

ملحق جزارة السياج هذا مصمم للاستخدام مع رأس الطاقة PH1400E العامل ببطارية ليثيوم-أيون 56 فولت من شركة EGO. إلى جانب وضع القطع العلوي، هناك وضع قطع جانبي في عمود جزارة السياج للتوصيل برأس الطاقة (الشكل E). للتعرف على تقنيات التشغيل بالتفصيل، يُرجى مراجعة تسم "تقنيات التشغيل" من هذا الدليل.

الشكل E انظر أدناه للتعرف على شرح الأجزاء:

E-1	وضع القطع العلوي
E-2	وضع القطع الجانبي

راجع قسم "تركيب الملحق برأس الطاقة" الموجود في دليل تشغيل رأس الطاقة PH1400E للتعرف على كيفية توصيل جزارة السياج برأس الطاقة.

راجع قسم "خلع الملحق عن رأس الطاقة" الموجود في دليل تشغيل رأس الطاقة PH1400E للتعرف على كيفية فصل جزارة السياج عن رأس الطاقة.

تركيب واقي قمة الجزارة (اختياري)

1. استخدم مفتاح ربط سداسي (الأنكيه) في خلع المسمار القصير والوردة المسطحة والجلبة والصامولة في طرف شفرة القطع (الشكل F). احتفظ بالوردة المسطحة والجلبة والصامولة للرجوع إليهم عند إعادة التجميع.

الشكل F انظر أدناه للتعرف على شرح الأجزاء:

F-1	وردة مسطحة	F-3	صامولة
F-2	مسمار قصير	F-4	جلبة معدنية

2. قم بمحاذاة واقي قمة الجزارة مع الفتوة الموجود بشفرة القطع، وركبه في مكانه الصحيح. قم بتأمينه باستخدام المسمار الطويل الجديد والصامولة، وكذا الوردة والجلبة والصامولة الذين احتفظت بهم (الشكل G).

الشكل G انظر أذناه للتعرف على شرح الأجزاء:

G-1	صامولة	G-4	جلبة معدنية
G-2	واقى قمة الجزارة	G-5	وردة مسطحة
G-3	صامولة	G-6	مسمار طويل

التشغيل

⚠️ خطر: لا تقم أبداً بقطع خطوط التيار أو الأسلاك الكهربائية أو المصادر الكهربائية الأخرى الموجودة في الجوار. إذا انحسرت شفرات القطع في أي سلك كهربائي أو خط كهرباء، لا تلمس شفرة القطع أو عمود الأمان! لأنها قد تصبح موصولة بالتيار الكهربائي، وربما تكون خطيرة للغاية. واصل الإمساك بجزارة السياج باستخدام المقبض الخلفي المعزول أو ضعها على الأرض بعيداً عنك بطريقة آمنة. أفضل التيار عن الخط أو السلك الكهربائي قبل محاولة تحرير شفرة القطع من السلك أو الكابل. ستؤدي ملامسة شفرة القطع أو الأجزاء الأخرى الموصلة للكهرباء من جزارة السياج أو الأسلاك الكهربائية أو خطوط الكهرباء التي بها تيار جارٍ إلى الوفاة بفعل الصعق الكهربائي أو وقوع إصابات خطيرة.

⚠️ تحذير: لا تسمح لأعتيادك على تشغيل هذا المنتج أن يجعلك مستهتراً عند التعامل معه. ولا تنس أن الاستهتر لجزء من الثانية كافٍ للتسبب في حدوث إصابات خطيرة.

⚠️ تحذير: ارتد بشكل دائم أدوات حماية العينين، بالإضافة إلى أدوات حماية السمع. قد ينجم عن عدم الامتثال لذلك دخول أشياء إلى عينيك، واختمالية وقوع إصابات خطيرة.

قبل كل استخدام، فحص المنتج بأكمله بحثاً عن الأجزاء التالفة أو المفقودة أو المفككة، مثل المسمار الملولبة والصواميل والمسامير والأغطية وما شابه. اربط جميع عناصر التثبيت والأغطية بإحكام، ولا تقم بتشغيل هذا المنتج إلا بعد استبدال جميع الأجزاء المفقودة أو التالفة.

⚠️ تحذير: لمنع التعرض لإصابات شخصية خطيرة، اخلع مجموعة البطارية من الآلة قبل إجراء أعمال الصيانة، أو التنظيف، أو تغيير المرفقات، أو إزالة المواد من الوحدة.

نظف الآلة بعد كل استخدام.

راجع قسم الصيانة للتعرف على تعليمات التنظيف.

الاستخدامات

يمكنك استخدام هذا المنتج في جزّ السياج والحشائش والأغصان والشجيرات والأشياء المشابهة التي يقل قطر أفرعها عن 26 مم.

ملاحظة: يجب استخدام الآلة للعرض المحدد لها فقط. أي استخدام آخر بعد حالة من حالات سوء الاستخدام.

استخدام جزارة مع رأس الطاقة

⚠️ تحذير: احرص على ارتداء ملابس ملائمة للحد من خطر التعرض لإصابات أثناء تشغيل هذه الآلة. لا ترتد ملابس أو مجوهرات غير ثابتة. ارتد أدوات حماية العينين والأذنين/السمع. احرص على ارتداء بنطال طويل قوي، وحذاء ذي رقيقة، وقفازات. لا ترتد بناطيل قصيرة أو صنادل أو أن تكون حافي القدمين.

الإعداد للقطع:

1. اضبط شفرة القطع على وضع التشغيل المرغوب.

2. اخلع جراب الشفرة عن شفرة القطع.

3. للتشغيل بشكل أفضل وأكثر أمناً، ارتد حزام الكتف بحيث يمر عبر الكتف. اضبط حزام الكتف على وضعية تشغيل مريحة. اتبع التعليمات الواردة في قسم "تركيب حزام الكتف" من دليل تشغيل المنتج PH1400E للتعرف على طريقة تركيب حزام الكتف في رأس الطاقة.

⚠️ تحذير: كما أن حزام الكتف مزود بألية التحرير السريع في المواقف الخطرة عند حدوث تيار، اخلعه عن كتفك على الفور، بغض النظر عن طريقة تثبيته.

تقنيات التشغيل

القطع الأفقي (وشفرة القطع مائلة بزاوية):

أقطع بالقرب من الأرض وأنت في وضع الوقوف، على سبيل المثال الشجيرات القصيرة.

أرجح شفرة القطع لأعلى ولأسفل أثناء حركتك على طول السياج – استخدم كلا جانبي شفرات القطع، ولا تقم بإراحة شفرة القاطع على الأرض (الشكل H).

القطع الأفقي (وشفرة القطع في وضع مستقيم)

أمسك شفرة القطع بزاوية ما بين 0 إلى 01 درجة أثناء أرحجتك لجزارة السياج بشكل أفقي. أرجح شفرة القطع على شكل قوس ناحية الجوانب الخارجية للسياج، بحيث يتم كسح الأشياء المقطوعة على الأرض (الشكل I وK).

التوصيات: لا تقم بجزّ أي سياج سوى الذي لا يزيد طوله عن ارتفاع المصدر في وضع التشغيل هذا.

القطع الرأسي (وشفرة القطع مائلة بزاوية):

الجز دون الوقوف بالقرب من السياج مباشرة، على سبيل المثال وجود مشتل زهور بين مشغل الآلة والسياج.

في وضع الجز هذا، ولتتحكم بشكل أفضل في جزارة السياج، من الموصى به توصيل جزارة السياج برأس الطاقة في وضع القطع الجانبي (راجع الشكل E).

أرجح شفرة القطع لأعلى ولأسفل على شكل قوس أثناء حركتك على طول السياج – استخدم كلا جانبي شفرة القطع (الشكل L).

القطع الرأسي (وشفرة القطع في وضع مستقيم)

الوصول لمسافة أبعد دون الحاجة لمساعدات إضافية.

أرجح شفرة القطع لأعلى ولأسفل على شكل قوس أثناء حركتك على طول السياج – استخدم كلا جانبي شفرة القطع (الشكل M).

القطع العلوي (وشفرة القطع مائلة بزاوية):

أمسك جزارة السياج بشكل رأسي وأرجحها على شكل قوس لتحقيق أقصى استفادة من مدى وصولها (الشكل N). بالنسبة للسياج شاهق الارتفاع، فإن عمود التمديد ملائم للمساعدة في عملية الجز.

⚠ تحذير: أي وضع تشغيل فوق مستوى الرأس يكون مجهذاً. لتقليل خطر وقوع حوادث، ليكن عمك في هذا الوضع لفترات قصيرة فقط. اضبط زاوية شفرة القطع القابلة للضبط على الحد الأقصى لها بحيث يمكنك الإمساك بالآلة في وضع أكثر انخفاضاً وأقل إجهاداً (مع حزام الكتف)، بينما تظل تمنحك الوصول المناسب لموضع الجز.

لبداء تشغيل/إيقاف الآلة

راجع قسم "تشغيل/إيقاف رأس الطاقة" الموجود في دليل تشغيل رأس الطاقة PH1400E.

الصيانة

⚠ تحذير: قبل فحص الوحدة أو تنظيفها أو صيانتها، أطفئ المحرك، وانتظر إلى أن تتوقف جميع الأجزاء المتحركة، ثم اخلع مجموعة البطارية. لأن عدم اتباع هذه التعليمات قد يؤدي إلى وقوع إصابات شخصية خطيرة أو تلف الممتلكات.

⚠ تحذير: استخدم فقط قطع غيار أصلية عند إجراء أعمال الصيانة. لأن استخدام أي أجزاء أخرى قد ينشأ عنه خطر أو يتسبب في تعرض المنتج للتلف. لضمان السلامة والاعتمادية، يجب تنفيذ جميع أعمال الإصلاح من قبل فني خدمة مؤهل.

الصيانة العامة

تجنب استخدام المنظفات عند تنظيف الأجزاء البلاستيكية. غالبية المكونات البلاستيكية تكون سريعة التآكل بالأنواع المختلفة للمنظفات الموجودة بالسوق، وقد تتلف نتيجة استخدامها عليها. استخدم قطعة قماش نظيفة لإزالة الأوساخ والأتربة والزيوت والشح وما شابههم.

تنظيف الوحدة

- استخدم فرشاة ناعمة أثناء إزالة العوالق عن جميع مداخل الهواء وشفرة القطع.
- إزالة أي قطران أو عوالق لاصقة أخرى، قم بفرش الشفرات بمحلول راتين. قم بتشغيل المحرك لفترة قصيرة كي يتم توزيع المحلول بالتساوي.
- لا تستخدم أي منظفات قوية على الهيكل البلاستيكي أو المبيض. لأنهم معرضون للتلف بفعل زيوت عطرية معينة، مثل الصنوبر والليمون، وبفعل محاليل مثل الكيروسين. كما قد تتسبب الرطوبة في التعرض لصدمة كهربائية. امسح أي بلل بقطعة قماش جافة ناعمة. لا تستخدم أبداً الماء عند تنظيف الآلة.

شحذ شفرة القطع

عند بدء تدهور أداء وسلوك القطع، على سبيل المثال عند تعثر الشفرات بشكل متكرر في أفرع الشجر: أعد شحذ شفرات القطع. من الموصى به إعادة شحذ شفرات القطع من قبل فني صيانة مؤهل.

ملاحظة: لا تقم بتشغيل جزارة السياج وشفرات القطع تالفة أو غير حادة. لأن هذا قد يتسبب في حمل زائد، ويمنحك نتائج قطع غير مرضية.

تزييت الشفرة

لمنع الصدأ، من الموصى به تزييت الشفرات بزيت مقاوم للصدأ عند تخزينها لفترات طويلة.

⚠ تحذير: الشفرات حادة. عند التعامل مع تجميعية الشفرة، عليك ارتداء قفازات حماية مبنية مانعة للانزلاق. لا تضع يديك أو أصابعك بين الشفرات أو في أي موضع قد تتعرض فيه للانضغاط أو الجرح. لا تلمس أبداً الشفرات أو أن تقوم بصيانة الوحدة والبطارية مركبة في مكانها.

تشحيم علب التروس

علبة التروس الموجودة في صندوق ناقل الحركة تحتاج للتشحيم بشكل منتظم باستخدام شحم مخصص لذلك. افحص مستوى تشحيم صندوق ناقل الحركة بعد كل 50 ساعة تشغيل عن طريق خلع مسمار القفل الموجود بصندوق ناقل الحركة. هناك ثلاثة مسامير قفل، أحدها في الجانب والآخران الأخران في الأعلى.

إن لم تستطع رؤية أي شحم على أسنان التروس، اتبع الخطوات التالية للتعبئة بشحم ناقل الحركة حتى مستوى 4/3 من السعة الداخلية.

لا تملأ ناقل الحركة بالكامل.

- بحسب المسمار الذي ستقوم بلفكه، قم بتثبيت جزارة السياج على جانبها أو وضعها على ظهره بحيث يكون مسمار القفل المراد فكه متجهاً لأعلى (الشكل O و P).
- استخدم مفتاح الربط المرفق في فك واخلع مسمار القفل.
- استخدم محقنة تشحيم (غير مرفقة) لحقن بعض الشحم في فتحة المسمار، بحيث لا تتخطى 4/3 من السعة الداخلية.
- اربط مسمار القفل بعد الحقن.

تخزين الوحدة

- اخلع مجموعة البطارية من الآلة.
- نظف الآلة جيداً قبل تخزينها.
- قم بتركيب جراب الشفرة على شفرة القطع قبل التخزين أو النقل. تعامل بحذر لتجنب الأسنان الحادة للشفرات.
- إذا كانت جزارة السياج مخلوطة من رأس الطاقة ومخزنة بشكل منفصل، قم بتركيب الغطاء الخارجي على عمود الملحق لتجنب دخول الأوساخ إلى الوصلة.
- خزن الوحدة في منطقة جافة جيدة التهوية، بحيث يكون في مكان مقفل أو عال عن سطح الأرض بعيداً عن متناول أيدي الأطفال. لا تقم بتخزين الوحدة على الأسمدة أو البنزين أو المواد الكيميائية الأخرى، أو بجوارها.

حماية البيئة

لا تتخلص من المعدات الكهربائية وشاحن البطارية والبطاريات العادية/البطاريات القابلة لإعادة الشحن في النفايات المنزلية! وفقاً للقانون الأوروبي 2012/19/EU ، فإن المعدات الكهربائية والإلكترونية التي لم تعد صالحة للاستخدام، ووفقاً للقانون الأوروبي 2006/66/EC ، فإن مجموعات البطارية/البطاريات المعطوبة أو المستهلكة، يجب جمعها بشكل منفصل.



إذا تم التخلص من الأجهزة الكهربائية في أكوام القمامة أو مقلب النفايات، قد تتسرب مواد خطيرة في المياه الجوفية وتصل إلى السلسلة الغذائية، وهو ما يضر بالصحة والبيئة.

KREISSVAN DER'SBEKE
KREISSVAN DER'SBEKE

استكشاف الأخطاء وإصلاحها

المشكلة	السبب	الحل
جزازة السياج لا تعمل.	<ul style="list-style-type: none"> مجموعة البطارية غير مركبة في جزازة السياج. لا يوجد اتصال كهربائي بين جزازة السياج والبطارية. نقد شحن مجموعة البطارية. لم يتم الضغط على زر القفل قبل الضغط على الزناد. مجموعة البطارية أو رأس الطاقة ساخنان للغاية. هناك انسدادات في الشفرة. جزازة السياج غير موصلة كما ينبغي برأس الآلة العاملة بالطاقة. 	<ul style="list-style-type: none"> قم بتركيب مجموعة البطارية في جزازة السياج. اخلع البطارية، وافحص التوصيلات، ثم أعد تركيب مجموعة البطارية. اشحن مجموعة البطارية. اضغط لأسفل مع التثبيت على ذراع القفل، ثم اضغط مع التثبيت على الزناد لتشغيل الآلة. اترك مجموعة البطارية أو رأس الطاقة يبردان إلى أن تهبط درجة حرارتهم إلى ما دون 67 درجة مئوية. اخلع مجموعة البطارية من الآلة. تخلص من أي عوائق برفق، ثم أعد إدخال البطارية وأعد تشغيل الآلة. افصل جزازة السياج عن رأس الطاقة. أعد توصيلهم وفقاً للتعليمات الواردة في قسم "تركيب ملحق برأس الطاقة" الموجود في دليل تشغيل رأس الطاقة PH1400E.
هناك اهتزازات أو ضوضاء زائدة.	<ul style="list-style-type: none"> الشفرات جافة أو بها صدأ. دعامة الشفرات مثنية. أسنان الشفرة مثنية أو تالفة. مسامير الشفرة مفكوكة. 	<ul style="list-style-type: none"> قم بتزييت الشفرة. استبدل الشفرة بشفرة أو دعامة جديدة. تواصل مع مركز صيانة شركة EGO لاستبدال الشفرة أو الدعامة. استبدل الشفرة بشفرة أو دعامة جديدة. تواصل مع مركز صيانة شركة EGO لاستبدال الشفرة أو الدعامة. اربط مسامير الشفرة جيداً. باستخدام مفتاح الربط (غير مرفق)، أدر المسامير في اتجاه عقارب الساعة لربطه.

الضمان

سياسة ضمان EGO

تفضل بزيارة الموقع الإلكتروني egopowerplus.com للتعرف على الشروط والأحكام الكاملة الخاصة بسياسة ضمان EGO.

KREESVAN DER'SBEKE
TILTI NI BUKU BUKU CINA NESSWE BUKU BUKU

KRESSVAN DER'SBEKE
TUIN EN BOLLERBEDIENING EN HUIS- & TUINWERK