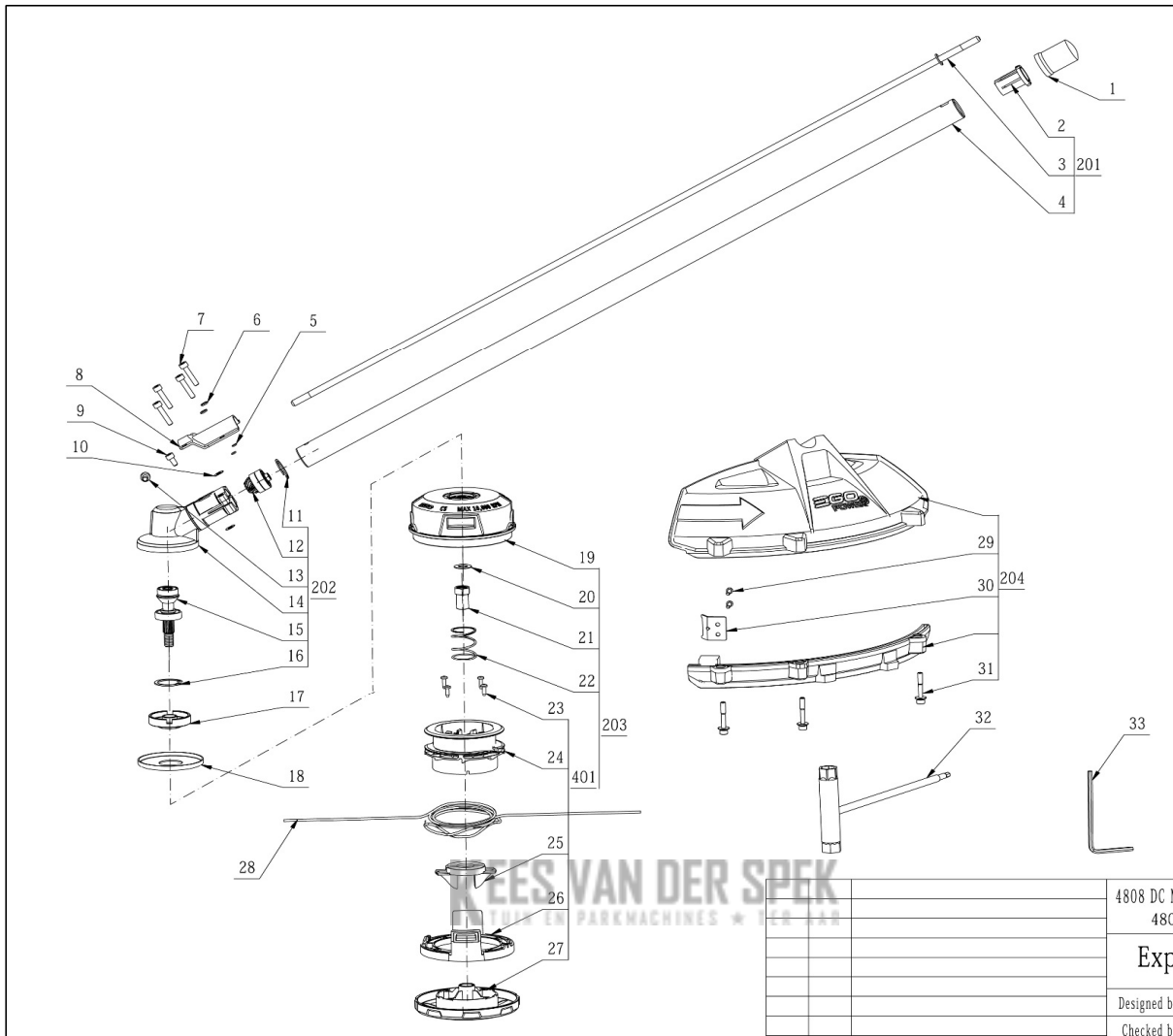


STA1500



Index No.	Art. No.	Technical Information	Description	QTY in machine
1	3128734001		Sleeve	1
2	3128556001		Guiding Block	1
3	2824792002		Shaft Assembly	1
4	2824791002		Tube Assembly	1
5	5690203001		O Ring	2
6	5650015012		Spring Washer	2
7	5620216003		Screw	4
8	3705417001		Fixing Board	1
9	5620213003		Hexagon Socket Screw	1
10	5650598001		Washer	2
11	5660151001		Circlips For Hole	1
12	2824588002		Pinion Assembly	1
13	5620546001		Hexagon Socket Screw	1
14	3421862001		Gear Case	1
15	2824589002		Shaft Assembly	1
16	5660021002		Circlips For Hole	1
17	3552509001		Inner Flange	1
18	3706103001		Shield	1
19	2824947001		Upper Housing ASSY	1
20	5650577001		Plain Washer	1
21	5630303001		Nut	1
22	3660654001		Compression Spring	1

23	5610022001		Tapping Screw	4
24	2824945001		Mounting Wire Holder ASSY	1
25	3128671001		Slot Cover	1
26	3128710001		Lower Housing	1
27	3128711001		Support Head	1
28		Available as accessory	Trimmer Line	1
29	5610294001		Tapping Screw	2
30	3706106001		Blade	1
31	5620548001		Screw with Washer	3
32	5680217001		Wrench	1
33	5680164001		Inner Hexagon Spanner	1
201	2824590002		Connecting Tube ASSY	1
202	2824954002		Gear Case ASSY	1
203			Cutting Head Set	1
204	2824957002		Guard ASSY	1
401			Lower Housing ASSY	1

KEES VAN DER SPEK
 TUIN EN PARKMACHINES * TER AAR