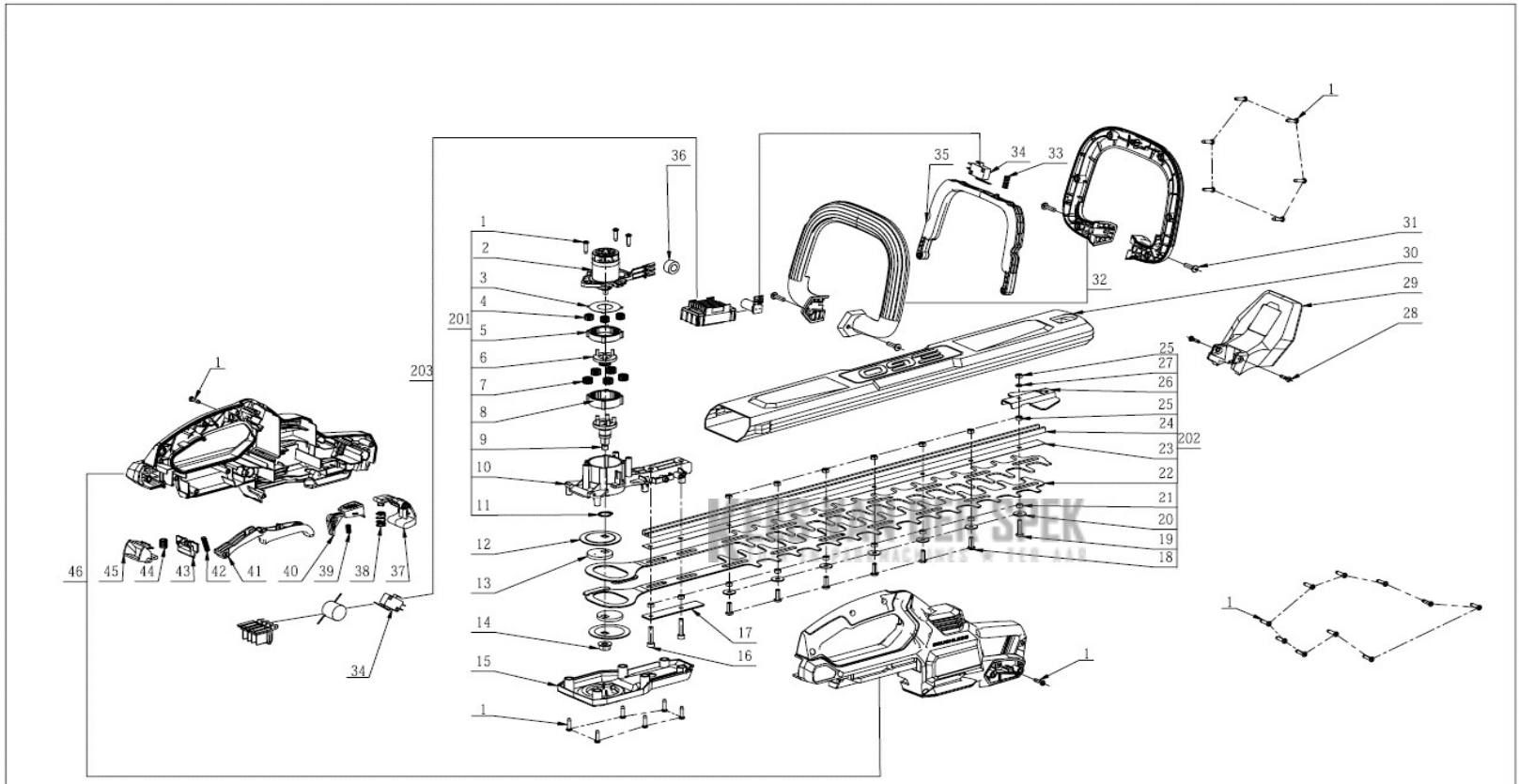


# Repair Parts\_Hedge Trimmer Tools\_4217.1(HT2000E)



number  
umber  
nature  
Date

		4217.1 Hedge Trimmer (4217.1 修枝剪售后爆炸图)		0760082002_SPD	
		Exploded View		VERSION	A
				WEIGHT	g
				SCALE	1:5
				IMP DEGREE	B
		Designed by 朱广前		SHEET	1/1
		Checked by 吴小力			
		Approved by			
		Effective Date : 2020-09-10			
RevNo	Zone	Revision note			

Index No.	Art. No.	Description	Tariff Code	QTY in machine	Weight (g)	Size LxWxH (mm)	MPQ
1	5610294001	Tapping Screw	7318149999	27	1,3	7x7x18	10
2	2826647002	Motor & Gear ASSY	8501310099	1	168	74x63x70	1
3	5650576001	Washer	7318210098	1	3,5	46x46x0.5	10
4	3520965001	Planet Gear	8483908990	3	2,85	11x11x8.5	1
5	3520964001	Ring Gear	8483908990	1	34	46x46x9	1
6	2824927001	Sun Gear ASSY	8483402989	1	26	30.5x30.5x20.7	1
7	3520961001	Planet Gear	8483908990	5	3,7	12.5x12.5x8	1
8	3520963001	Ring Gear	8483908990	1	38	46x46x12.5	1
9	2824926002	Carrier	8483908990	1	60	30.5x30.5x49	1
10	2824925002	Gear Case ASSY	8483405190	1	153	177x70x58	1
11	5660018001	Circlips For Shaft	7318290090	1	0,64	20x18x1.5	10
12	5650494001	Washer	7318210098	2	29	φ53.1x2x1.5	10
13	3706977001	Eccentric Block	8467990000	2	24	φ33x4	1
14	5630325001	Flange Nut	7318166090	1	5,85	Φ18x8	10
15	3128704001	Mounting Cover	3926909790	1	67	188x89x23	1
16	5620216005	Hexagon Socket Screw	7318156898	2	5	M5x25	10
17	3706209001	Support Plate	7326909890	1	22	90x18x1.8	1
18	5620543001	Hexagon Socket Screw	7318156898	6	2,85	M5x15.5	10
19	5620544001	Hexagon Socket Screw	7318156898	1	3	9.5x9.5x28	10
20	5650487001	Plain Washer	7318210098	7	2,05	φ5.2xφ16x1.5	10
21	5650196001	Bush	8467990000	9	0,9	5x7.6x4.1	1
22	2827687001	Blade	8208400000	2	275	742.1x71.5x3.1	1
23	3706866001	Hold Down Strip	8467990000	1	35,5	653.5x15x0.5	1
24	3553174001	Clamp Support	8467990000	1	148,5	652.5x18x7.5	1
25	5630007001	Sealing Torque Hexagon N	7318166090	8	1,8	M5	10
26	3706328001	Tip Protector	7326909890	1	57	72x75x10	1
27	5650015003	Spring Washer	7318210098	1	0,5	φ7.8x1.3	10
28	5610264004	Hexagon Lobular Screw	7318149999	2	1,25	7x7x18	1
29	3128993001	Guard	3926909790	1	26	130x113x44	1
30	3131491001	Sheath	3926909790	1	213	598x95.3x35.8	1
31	5610291003	Tapping Screw	7318149999	4	3,1	ST4.8X19	10

32	2824552001	Side Handle	3926909790	1	224,5	221x141x66	1
33	3660046001	Spring	7320202090	1	0,2	7x7x16.5	10
34	4870564001	Switch	8536508099	2	7,5	50x25x10	1
35	3128269001	Switch Trigger	3926909790	1	56	185.8x135.8x13	1
36	3680109001	Magnet Ring	8548909099	1	7,8	9.8x18.2x10.4	1
37	3128266001	Lever	3926909790	1	16	52x51x34	1
38	3660614001	Compression Spring	7320202090	1	3	12.2x12.2x19.8	10
39	3660344001	Spring	7320202090	1	0,15	Ø5x12	10
40	3129010001	Lock Button	3926909790	1	7,85	53.5x24x41	1
41	3128270001	Switch Trigger	3926909790	1	19	152x34x23	1
42	3660028003	Stop Spring	7320202090	1	0,2	φ6.2x16	10
43	3127497001	Power Pack Button	3926909790	1	5	42.5x24.5x11.4	1
44	3660013003	Spring1	7320202090	1	1	9.9x9.9x25	10
45	3127498001	Power Pack Button	3926909790	1	9,5	43x36.8x27.5	1
46	2824930001	L R Housing Set	3926909790	1	492	380x95x175	1
201	2826648002	Motor and Gear Case ASSY	8501310099	1	520	177x69x122	1
202	2827717001	Blade Set	8208400000	1	846,65	752.1x72x24.7	1
203	2830561001	Electric Assembly	8537109899	1	176	10x10x8	1