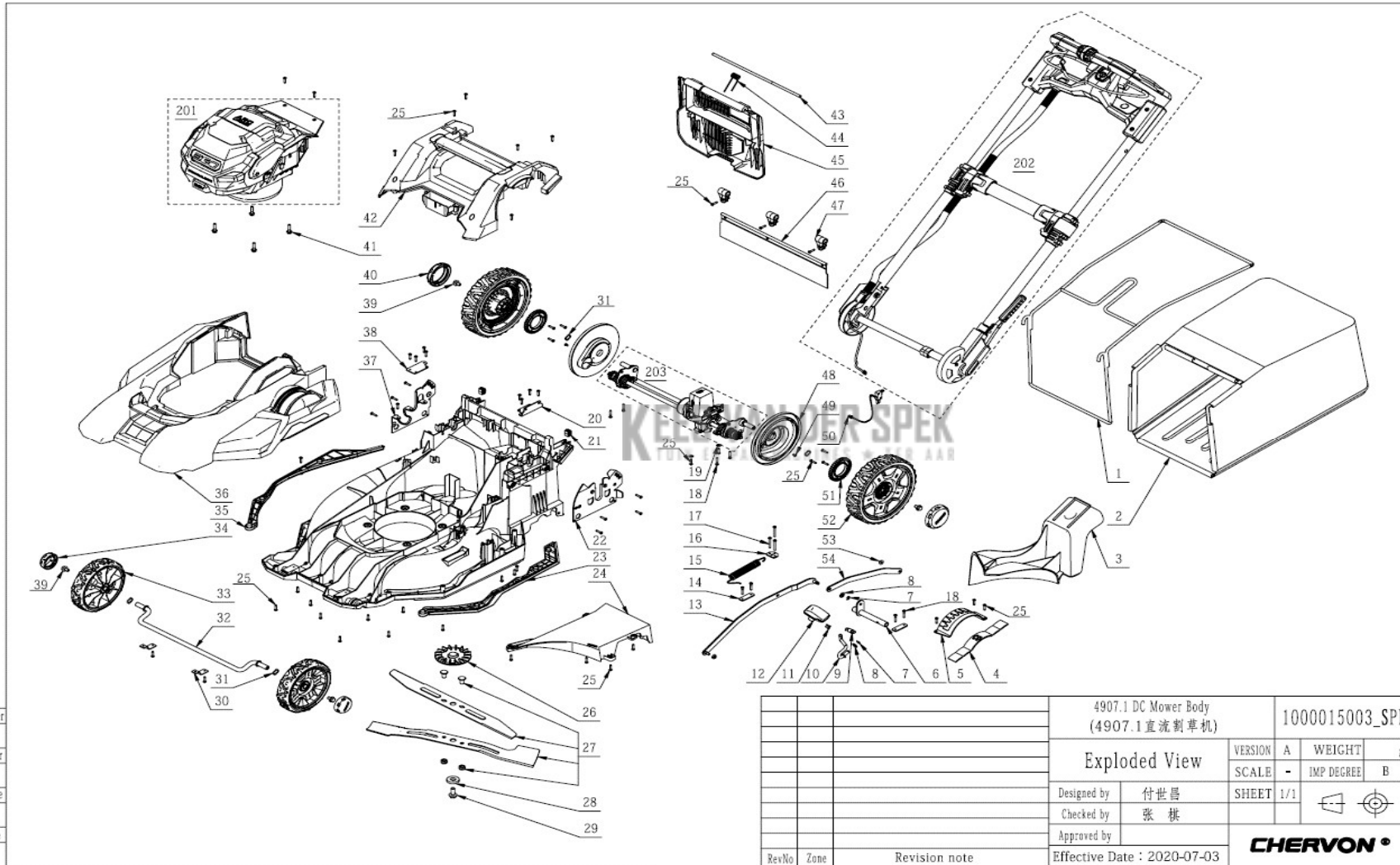




Repair Parts_Lawn Mower_4907.1(LM2130E-SP)

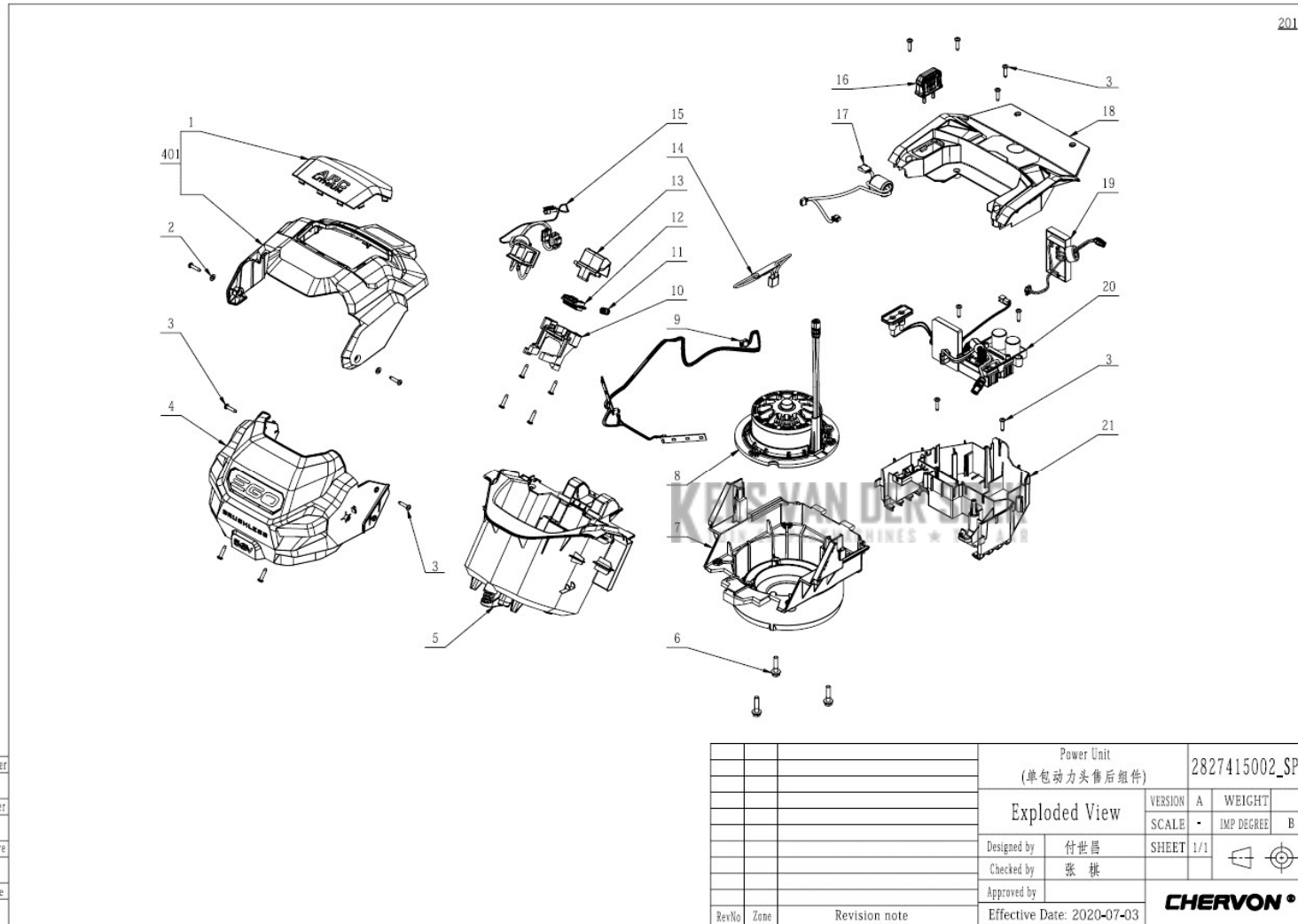


		4907.1 DC Mower Body (4907.1 直流割草机)		1000015003_SPD	
		Exploded View		VERSION	A
				SCALE	-
		Designed by 付世昌		WEIGHT	
		Checked by 张棋		IMP DEGREE	
		Approved by		B	
		Effective Date : 2020-07-03		CHERVON®	
RevNo	Zone	Revision note			

Index No.	Art. No.	Description	Technical Information	Tariff Code	QTY in machine	Weight (g)	Size LxWxH (mm)	MPQ
1	3705442002	Bag Frame		8433900000	1	1150	600x370x360	1
2	3800074001	Grass Catcher		5911909990	1	858	590x422.5x353	1
3	ABP2100D-E	Mulch Plug	Accessory:		1	357	333x242x276	n/a
4	2826100001	Dust Board ASSY		8433900000	1	15	212x30x4	1
5	3706555001	Depth Stop Plate		8433900000	1	183,7	168x52x68	1
6	2825630001	Shaft ASSY		8483109590	1	157	129x24x59	1
7	5660139002	E Ring		7318290090	2	0,4	6x6x1	10
8	5650025004	Plain Washer		7318220098	2	1,5	16x16x1.6	10
9	3660558001	Tension Spring		7320202090	1	5,43	10x10x39	1
10	2825629001	Handle Lever Set		8433900000	1	71	124.3x43x33	1
11	5620065004	Screw		7318155898	2	1	3x3x12	10
12	3322429001	Height Adjusting Lever		3926909790	1	40	67x37x60	1
13	2825633001	Connecting Rod ASSY		7326909890	1	267	418x80x28	1
14	3705398001	Mounting Plate		7326909890	2	20	49x16x3	1
15	3660557001	Tension Spring		7320202090	1	109,4	18x18x156	1
16	3705397001	Clamp		7326909890	1	14	24.5x32x3	1
17	5610286001	Tapping Screw		7318149999	3	4,8	4.2x4.2x38	10
18	5620480002	Screw		7318149999	8	3,5	4.2x4.2x25	10
19	5650004001	Plain Washer		7318220098	2	0,74	4x4x1.5	10
20	3706196001	Left Fixing Block		7326909890	1	75	79.5x35x30	1
21	3127738001	Rubber Gasket		4016930090	2	4,54	21x16.5x13.6	1
22	3706664001	Support Plate		7326909890	1	438	130x166x45	1
23	3129626001	Left Cover		8433900000	1	60	516x118x59	1
24	3129624001	Rear Enclosure		8433900000	1	302,5	313x285x90	1
25	5620157006	Hexagon Socket Screw		7318156898	57	1,95	4.2x4.2x19	10
26	3403110001	Fan		3926909790	1	65	100x100x12.8	1
27	AB2102D-E	Bagging Blade Set	Accessory:		1	1164,2	514x182x22	n/a
28	5650705002	Washer		7318220098	1	39	35x35x6.5	10
29	5640226002	Flange Bolt		7318158298	1	26	10x10x25	10
30	3705216001	Mounting Plate		7326909890	2	12	49.5x17x17	1
31	5650453001	Wave Washer		7318210098	4	0,4	13x20x3	10
32	2825628001	Front Axle Set		8433900000	1	589	515x73x20	1
33	2824429003	Wheel Assembly		8433900000	2	393,5	180x180x49.7	1
34	3126769001	Hubcap		3926909790	2	14	55x55x21.7	1
35	3129625001	Right Cover		8433900000	1	76	558x118x61	1
36	2826099001	Cover Assembly		3926909790	1	1300	695x561x229	1
37	3706663001	Support Plate		7326909890	1	330	145x169x46	1
38	3706195001	Right Fixing Block		7326909890	1	40	70x35x2.5	1

39	5640010003	Hexagon Flange Bolt		7318158298	4	12	8x8x12	10
40	3126765001	Hubcap		3926909790	2	24	81.7x81.1x19.8	1
41	5640217003	Bolt and Washer Set		7318158290	4	9	13.7x13.7x30	10
42	2826055001	Service Cover Assembly		3926909790	1	700	363x408x185	1
43	5670345001	Shaft		8433900000	1	104,8	7x7x345	1
44	3660559001	Torsion Spring		7320202090	1	15	15.2x15.2x25	1
45	3126689003	Rear Cover		3926909790	1	390	338x299x68	1
46	3129771001	Trail Shield		3926909790	1	124	422x97x2	1
47	3129770001	Bevel Support		3926909790	3	6,8	47x24x19	1
48	3128946001	Protecting Cap		3926909790	2	78	189x189x30.1	1
49	5620067010	Screw		7318149999	2	1	4x4x8	10
50	2826165001	Switch Assembly		8536508090	1	35	38x30x10.3	1
51	3520933001	Gear		8483908990	2	120	82x82x8	1
52	2825267001	Wheel Assembly		3926909790	2	778,5	232x232x60.5	1
53	5630013003	Prevailing Torque Hexagon Nut		7318169290	2	3,5	6x6x5.7	10
54	3705142001	Connecting Rod		7326909890	1	163	290x82.5x4	1
201	2827415002	Power Unit		8501320099	1	4040	406x309x260	1
202	2826009002	Handle ASSY		8433900000	1	4989	1147x497x247	1
203	2826067001	Self-Propelled Unit		8501310099	1	1877	519x127x156	1

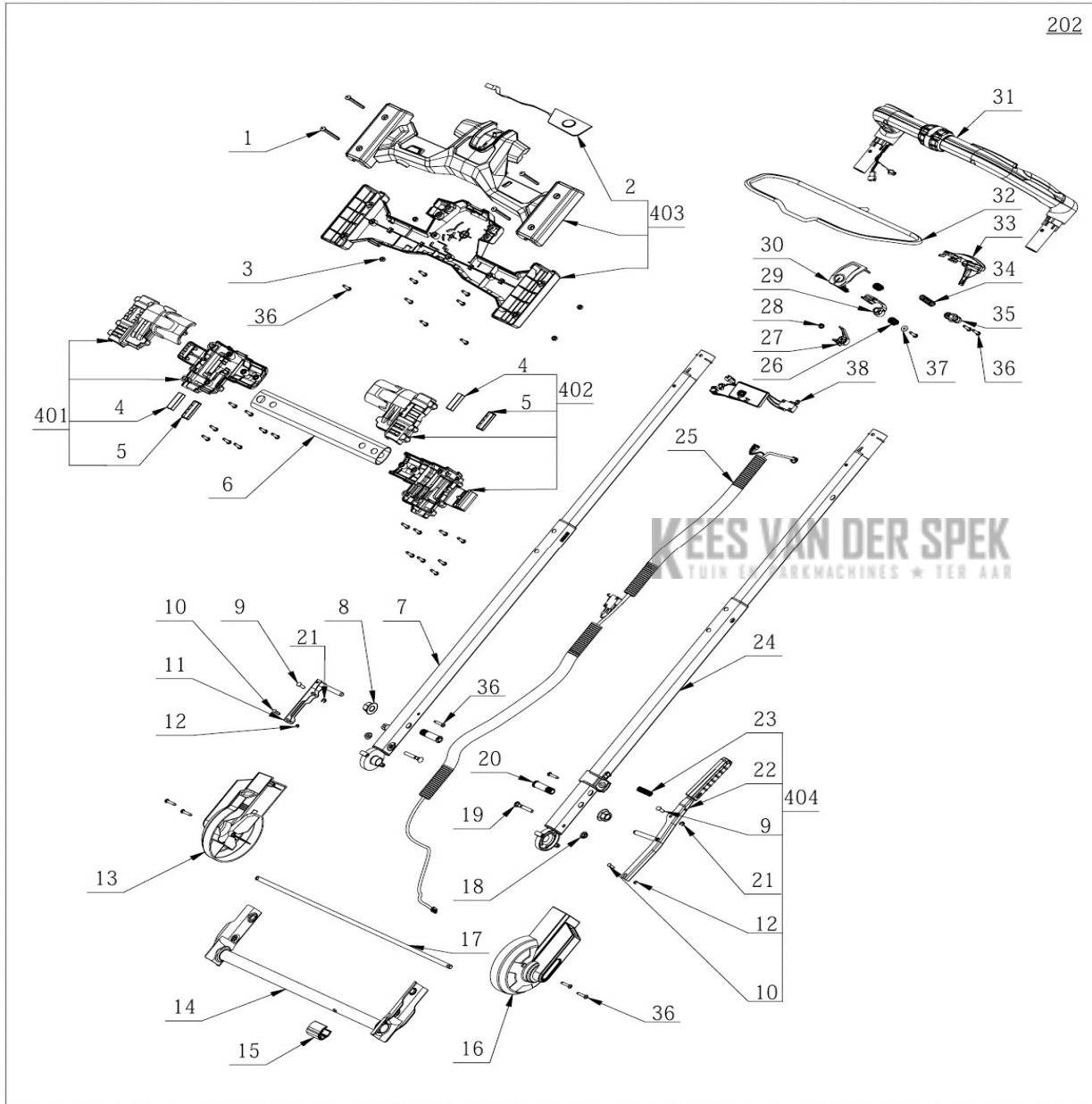
KEES VAN DER SPEK
 TUIN EN PARKMACHINES • TER AAR



1	3129442001	Transparent Guard		3926909790	1	35	139.8x114.8x50.4	1
2	5650013001	Plain Washer		7318220098	2	1,8	10x10x1	10
3	5620157006	Hexagon Socket Screw		7318156898	18	1,95	4.2x4.2x19	10

4	2826307001	Top Cover ASSY		3926909790	1	299,2	251.4x190.8x178	1
5	2826306001	Battery Box ASSY		3926909790	1	390	237.4x200.6x219.9	1
6	5640217004	Bolt and Washer Set		7318158290	3	9	13.7x13.7x30	10
7	3403069001	Bottom Support		3926909790	1	82	225.5x229.2x170.7	1
8	2730252001	DC Motor		8501320099	1	2100	156x156x118	1
9	2830412001	4908 LED Electric Assembly		8537109899	1	13	80x140x20	1
10	3129439001	Support		3926909790	1	20	61x61.8x61.9	1
11	3660013003	Spring1		7320202090	1	1	9.9x9.9x25	10
12	3127202001	Power Pack Button		3926909790	1	4,7	37.5x31.5x13	1
13	3127201001	Release Button		3926909790	1	17	52x42x36	1
14	2830216002	4908 Fuse PCBA		8537109899	1	17	7x7x112	1
15	4860570001	Wiring Harness		8544429090	1	57	183x40x40	1
16	5680196001	Key		3926909790	1	24	43.5x52x18	1
17	4860794001	Bus Wire Harness Assembly		8544429090	1	36,7	4.8x4.8x430	1
18	3130400001	Rear Cover		8433900000	1	200	220.4x248.4x71.7	1
19	2830416003	4907.1 EU_Electric Assembly		8537109899	1	83	79x51.7x23	1
20	2830787001	4907.1 EU_Main Electric Assembly		8537109899	1	297,5	163.7x91.8x150.2	1
21	3129434001	Mounting Plate		3926909790	1	177,6	222x162.3x103.3	1
401	2826310001	Battery Cover ASSY		3926909790	1	230	260x235.7x139.5	1

KEES VAN DER SPEK
TUIN EN PARKMACHINES • TER AAR



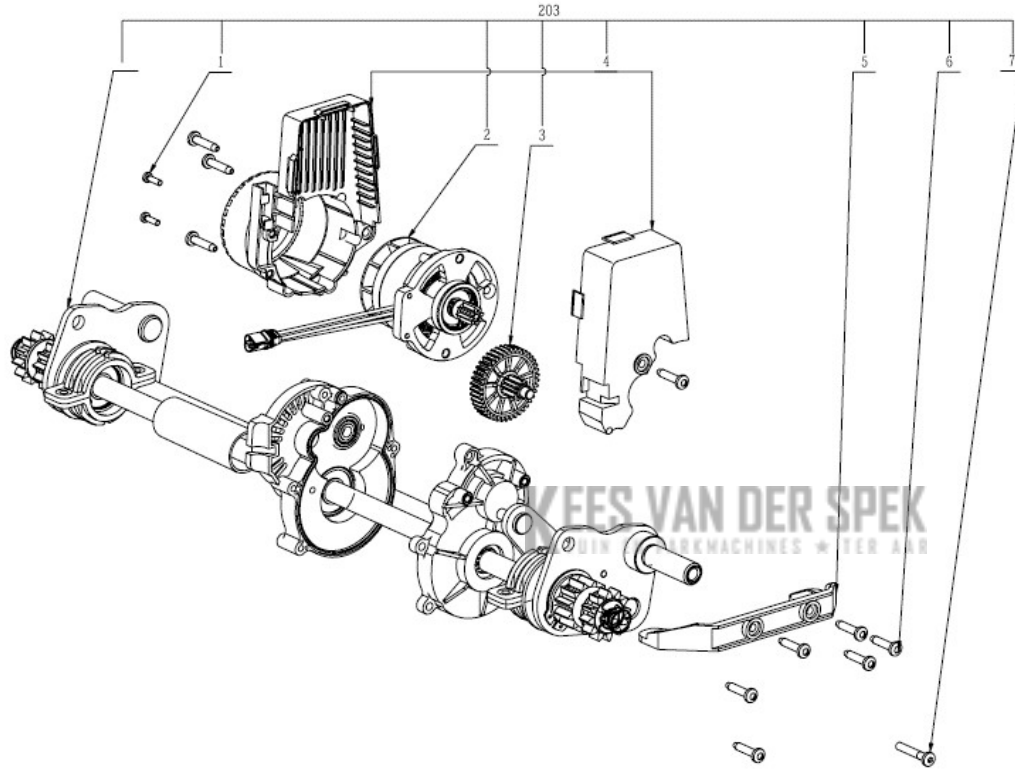
number			Handle ASSY (4907.1把手组件售后组件)		2826009002_SPD			
number	⑥3	Make the service part 9、10、12、21、22 and 23 together as a new service part 404	Exploded View		VERSION	B	WEIGHT	g
	⑥2	Make the telescope tube and tie-in together as a new service part 24			SCALE	-	IMP DEGREE	B
signature	⑥2	Make the telescope tube and tie-in together as a new service part 24	Designed by	付世昌	SHEET	1/1		
	⑥1	Make the telescope tube, tie-in, pivot shoe and hexagon socket screw together as a new service part 7	Checked by	张棋				
Date	⑥	Change notice number:0000010449	Approved by					
RevNo	Zone	Revision note	Effective Date : 2020-07-03					

KEES VAN DER SPEK
TUIN EN PARKMACHINES ★ TER AAR

1	5620161005	Hexagon Socket Screw	7318149999	4	9,57	5x5x55	1
2	4870710001	Film Switch	8536508090	1	10	283x40x3	10
3	5630006002	Prevailing Torque Hexagon Nut	7318169290	4	2	5x5x4.8	10
4	3126832001	Rubber Block	4016999790	2	3,94	37x10x9.2	1
5	3126761001	Clamp Block	3926909790	2	1,7	40.2x12.9x6.6	1
6	3705393001	Intermedium Tube	7608208990	1	131	41x25x190	1
7	2827604001	Right Telescope Tube Assembly	7608208990	1	715,1	65.5x41.6x1031	1
8	5630268001	Nut	7318169290	2	16,2	12x12x1.25	10
9	3550048003	Pin	7318240090	2	2,9	5x5x18.5	1
10	5670248001	Pin	7318240090	2	1,7	4x4x16.5	1
11	2825245001	Connecting Rod ASSY	7326909890	1	53	102.8x12.4x14	1
12	5660001003	E Ring	7318290090	2	0,1	3x3x1	10
13	3128648001	Decorative Cover	3926909790	1	103,6	193x125x66.5	1
14	2825991001	Spindle ASSY	7326909890	1	759	407x132x46	1
15	3129714001	Switch Actuator	3926909790	1	2,1	28x27.3x28	1
16	3128647001	Decorative Cover	3926909790	1	98	193x125x66.5	1
17	5670432001	Pin	7318240090	1	171,8	8x8x453	1
18	5630013003	Prevailing Torque Hexagon Nut	7318169290	2	3,5	6x6x5.7	10
19	5640168001	Square Neck Bolt	7318159590	2	7,92	6x6x35	10
20	3551952001	Sleeve	7326909890	2	18	12x12x39	1
21	5660003003	E Ring	7318290090	2	0,2	9x9x1	10
22	2825244001	Handle Lever Set	8433900000	1	299,2	130x16x38	1
23	3660565001	Compression Spring	7320202090	1	3,92	9.6x9.6x28	10
24	2827605001	Left Telescope Tube Assembly	7608208990	1	708	65.5x48.5x1031	1
25	2826843001	Internal Wire ASSY	8544429090	1	256	20x20x1400	1
26	3660011002	Spring	7320202090	2	1,04	12.8x12.8x16	10
27	3129632001	Switch Actuator	3926909790	1	22	39x24x12.5	1
28	3660724001	Torsion Spring	7320202090	1	0,7	9.2x9.2x4	1
29	3127905001	Switch Actuator	3926909790	1	5,5	46.7x29.4x30.9	1
30	3129665001	Button	3926909790	1	12	60x42.4x36.7	1
31	2826127002	Handle Set	3926909790	1	410	439x130x203	1
32	2825826001	Control Handle Set	8433900000	1	347,8	356x180x19.8	1
33	3127908001	Switch Lever	3926909790	1	17	81x32.5x27.7	1
34	3660562001	Compression Spring	7320202090	1	1,3	10.9x10.9x38	10
35	3126763001	Clamp	3926909790	1	2,92	34x17x11.7	1
36	5620157006	Hexagon Socket Screw	7318156898	33	1,95	4.2x4.2x19	10
37	5650004001	Plain Washer	7318220098	1	0,74	4x4x1.5	10
38	2830530001	4907.1_Switch Electric Assembly	8537109899	1	80	65x35x7.5	1
401	2826768002	Beam Assembly	3926909790	1	140	127x108x79	1

402	2826608002	Beam Assembly		3926909790	1	140	127x108x79	1
403	2826978001	Switch Box Set		3926909790	1	464	446x183x66	1
404	2827584001	Control Handle Set		8433900000	1	308,02	130x16x38	1

KEES VAN DER SPEK
TUIN EN PARKMACHINES ★ TER AAR



Old number

Number

Signature

Date

			Self-Propelled Unit (自走組件售后組件)		2826067001_S	
			Exploded View		VERSION A	WEIGHT g
					SCALE -	IMP DEGREE B
			Designed by	楊熾	SHEET 1/1	
			Checked by	張祺		
			Approved by			
			Effective Date:	2019-09-20		
RevNo	Zone	Revision note				

203

1	5620033010	Screw		7318155898	2	0,87	3x3x10	10
2	2826577002	Motor & Gear ASSY		8501310099	1	298,5	63.5x63.5x74.5	1
3	2826428002	Gear Set		8483908990	1	54	42x42x32	1
4	3900208001	Dust Cover		3926909790	1	54	117.1x89.5x86	1
5	3128943001	Support		3926909790	1	12	119x15x44	1
6	5620157006	Hexagon Socket Screw		7318156898	10	1,95	4.2x4.2x19	10
7	5620480002	Screw		7318149999	1	3,5	4.2x4.2x25	10

KEES VAN DER SPEK
TUIN EN PARKMACHINES ★ TER AAR