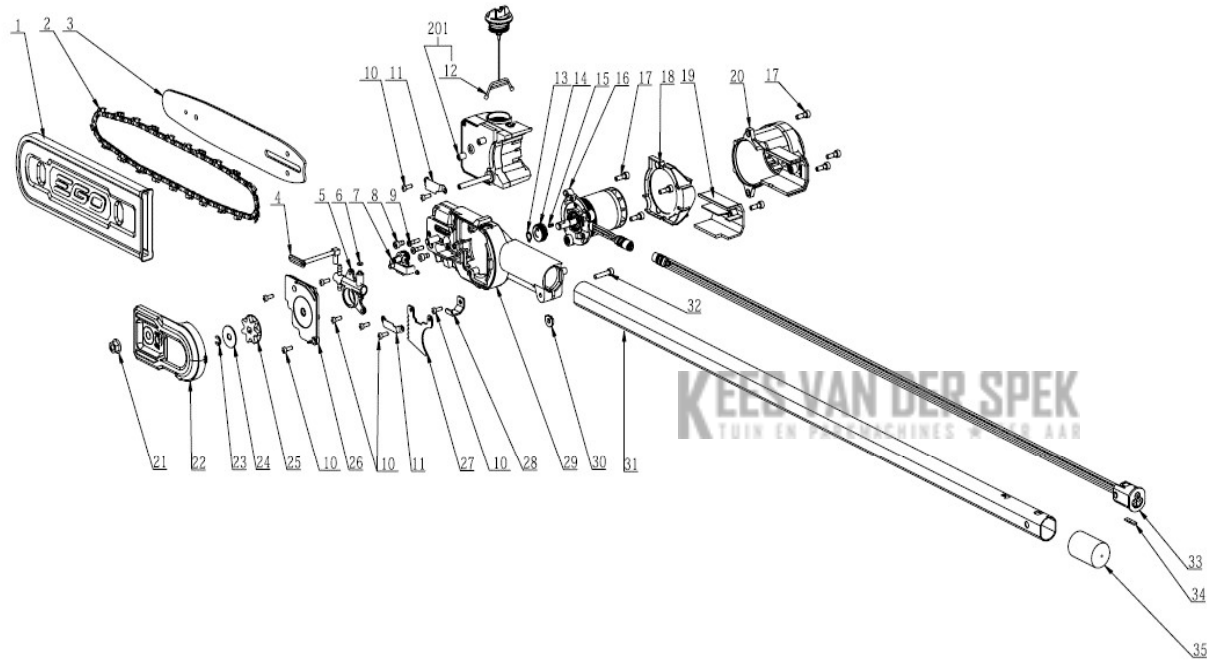




Repair Parts_Pole Saw_4560(PSX2500)



Kees van der Spek
TOUW EN VERBODCHINES 2010 AAR

			4560 DC Pole Saw Body (4560 DC 杆锯裸机)	0640013001_SPD
			Exploded View	VERSION A WEIGHT g SCALE · IMP DEGREE B
			Designed by 章利进	SHEET 1/1
			Checked by 李立	
			Approved by	CHERVON®
RevNo	Zone	Revision note	Effective Date: 2020-11-30	

Index No.	Art. No.	Description	Technical Information	Tariff Code	QTY in machine	Weight (g)	Size LxWxH (mm)	MPQ
1	3128561001	Sheath			1	66	275x94x20	1
2	AC1000	Chain	Accessory: AC1000		1	138	350x72.8x4.4	1
3	AG1000	Guide	Accessory: AG1000		1	352	305x51x3.3	1
4	3131326001	Outlet Tube			1	2,8	33x65x18	1
5	2827231001	Pump Assembly			1	37	61x52x12	1
6	5690018001	O Ring			1	0,1	5x1.8x1	10
7	2827275001	Tension Nut Assembly			1	30	55x30x27	1
8	5620213001	Hexagon Socket Screw			2	3,4	15x8.5x8.5	10
9	5620479001	Screw			2	4	7x7x18	10
10	5620011007	Hexagon Socket Screw			9	3	7x7x16	10
11	3707340001	Protecting Cover Plate			2	2,2	48.5x12.5x9	10
12	2827277002	Kettle Cover Assembly			1	15	111x43x37	1
13	5660009001	Circlips For Shaft			1	0,3	14x11x0.8	10
14	3570098001	Worm			1	3,2	21.35x21.35x9.4	10
15	5680216001	Key			1	0,5	3x3x8	10
16	2730334001	DC Motor			1	492	107.8x70x50	1
17	5620019001	Hexagon Socket Screw			7	4,3	21x8.5x8.5	10
18	3131189001	Cover Plate			1	15,3	76x82.4x26	1
19	3131627001	Fan Baffle			1	17	43x36x64	1
20	2827509001	Motor Housing Cover Assembly			1	132	124x91x81	1
21	5630325001	Flange Nut			1	5,85	18x18x8	10
22	2827508001	Cover Plate Assembly			1	81	137x75x20	1
23	5660139001	E Ring			1	0,4	6x6x1	10
24	5660310001	Chain Wheel Gasket			1	6,6	28x28x1.5	10
25	3570084001	Chain Wheel			1	31,6	36x36x6.3	10
26	2827818001	Cover Plate Assembly			1	24	74x67x14	1
27	3707530001	Flash Board			1	22	52x52.1x2	10
28	3707457001	Chip Shield			1	2,6	13x18.5x23	10
29	2827816001	Support Assembly			1	199,1	238x91x47	1

30	3705464001	Limit Chute			1	2,8	6.4×15.4×2.5	1
31	3707459001	Connecting Tube			1	306,8	27.5×31.5×1008	1
32	5620550001	Hexagon Socket Screw			1	6,5	30×8.5×8.5	10
33	4860826001	Internal Wire Assembly			1	97,5	105×32×32	1
34	3680302001	Speed Magnetic Shoe			1	1,6	20×5.2×2	10
35	3131611001	Sleeve			1	11,2	32×32×53	1
201	2827292001	Kettle Assembly			1	126,1	89×88×68	1

KEES VAN DER SPEK
 TUIN EN PARKMACHINES ★ TER AAR

KEES VAN DER SPEK
TUIN EN PARKMACHINES ✦ TER AAR