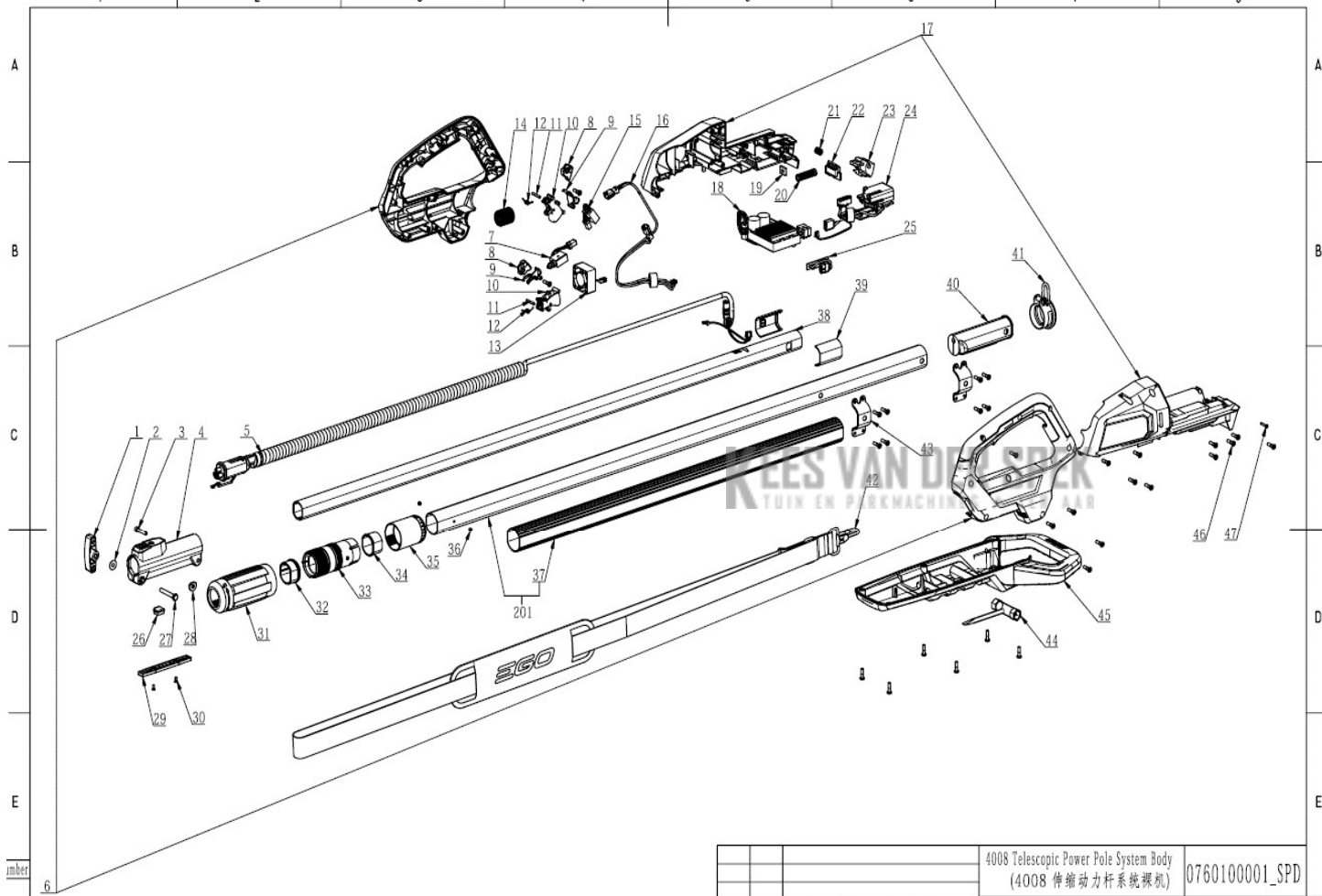




# Repair Parts\_Telescopic Power Pole System Tools\_4008(PPX1000)



		4008 Telescopic Power Pole System Body (4008 伸缩动力杆系统探机)		0760100001_SPD	
		Exploded View		VERSION	A
				SCALE	- IMP DEGREE A
		Designed by 章利进		SHEET	1/1
		Checked by 李立			
		Approved by 聂方杰			
		Effective Date: 2020-11-30			
RevNo	Zone	Revision note			

Number  
Number  
ature  
Date

F

Index No.	Art. No.	Description	QTY in machine	Weight (g)	Size LxWxH (mm)
1	3402816001	Wing Nut	1	22	6x63x25
2	3700233001	Washer	1	2	6.1x16x0.5
3	5620550001	Hexagon Socket Screw	1	6,5	30x8.5x8.5
4	2827851001	Connecting Tube Assembly	1	185	150x61x36
5	4860741001	Spring Wire	1	465,1	30x30x1200
6	3900327001	Handle Assembly	1	370	289x71x214
7	4870752002	Switch Assembly	1	20,3	30x10x60
8	3521234001	Plunge Frame	2	17	24x24x11
9	3422689001	Trigger Lever	2	5,2	33x19x19
10	2827132002	Switch Lever Assembly	2	25	48x32x17
11	5670026001	Pin	2	1,2	22x3x3
12	3660697001	Torsion Spring	2	0,5	20x10x6
13	3300025001	DC Fan	1	26	40x40x20
14	3130238001	Bellows Seal	1	5	30x25x25
15	4870752003	Switch Assembly	1	20,3	30x10x60
16	4970304001	Inductor & Wire Assembly	1	30	400x10x10
17	3900328001	Housing Assembly	1	475,3	350x133x127
18	2830778001	Control Electric Assembly	1	240	95x65x35
19	5630277001	Nut	1	3,6	6x15x12
20	3660818001	Compression Spring	1	3,4	41x11x11
21	3660013003	Spring1	1	1	9.9x9.9x25
22	3127497001	Power Pack Button	1	5	42.5x24.5x11.4
23	3127498001	Power Pack Button	1	9,5	43x36.8x27.5
24	2830866001	Resistor Electric Assembly	1	86,6	30x30x110
25	2830718002	Fuse Electric Assembly	1	10	10x10x60
26	2830912001	Hall Electric Assembly	1	1,8	16.8x8.4x14.3
27	5640247001	Hexagon Head Bolt	1	11,4	40x11.6x10
28	3705464001	Limit Chute	1	2,8	6.4x15.4x2.5

29	3131160001	Lower Housing	1	6,1	5.2×15.6×114
30	5620063001	Screw	2	0,5	8x6x6
31	3131107001	Front Handle	1	90,7	41.4×54.8×128
32	3131276001	Lock Ring	1	7,6	35.5×39.5×21.5
33	3131108001	Connecting Tube	1	53	31.7×44.7×104
34	3580089001	Inner Pipe Bush	1	4,4	30.8×36.8×22
35	5630374001	Lock Nut	1	22,1	47.6×47.6×57
36	5620399001	Hexagon Socket Screw	2	0,5	5X5X5
37	4920673001	Sponge Protection Tube	1	121,5	41×36×765
38	3707428001	Inner Tube	1	564,4	27.5×31.5×1180
39	3131144001	Limit Bush	2	6,3	15.2×34.6×52
40	3900330001	Cover Plate Assembly	1	35,2	127×38×34
41	2823906001	Hook Set	1	55,2	80x52x25
42	AP1500	Harness	1	136	1.8x50x10
43	3707529001	Pressure Plate	2	43,1	65.7×25.4×18.7
44	5680272001	Socket Wrench	1	80,3	109×64×19
45	3131200001	Bracket	1	325	463×59.8×201
46	5620479001	Screw	30	4	7×7×18
47	5610013006	Tapping Screw	1	0,85	18.8x5.5x5.5
201	2827849001	Aluminium Tube Assembly	1	538,5	1157×36×41

**KEES VAN DER SPEK**  
TUIN EN PARKMACHINES ✦ TER AAR