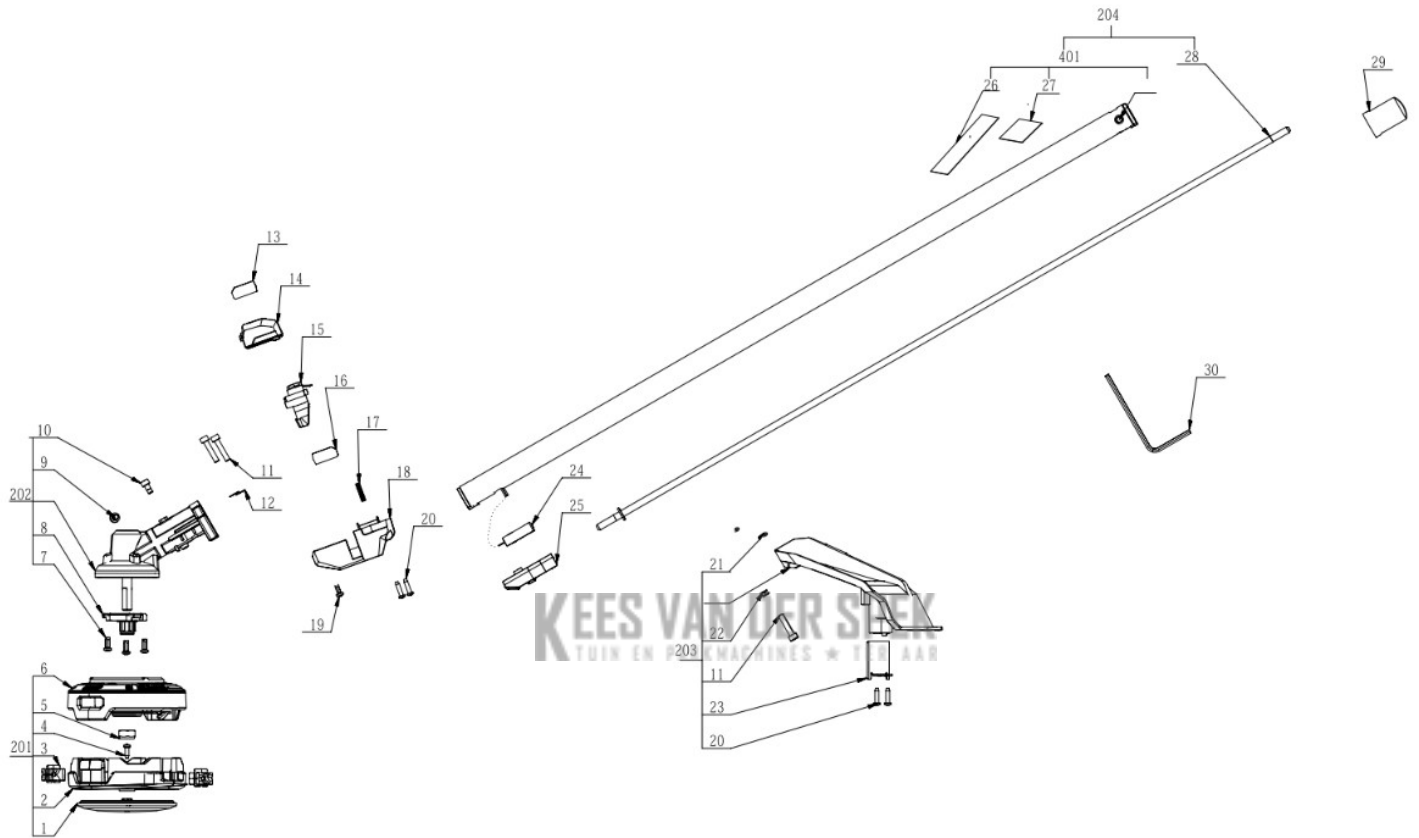




Model: STA1700  
Model version: A  
Introduction Year: 2025

SN Start:  
SN End:



#	Article Number	Description	Qty	Replacement	Technical Notes
1	3136342001	Base Pad	1		
2	3136341001	Lower Housing	1		
3	3422035001	Retaining Ring	2		
4	5610093002	Tapping Screw	1		
5	5630623001	Prevailing Torque Type Hexa	1		
6	2851742001	Top Cover Assembly	1		
7	5610304001	Thread Forming Screw	3		
8	3133789001	Bearing Seat	1		
9	5620546001	Hexagon Socket Screw	1		
10	5620213003	Hexagon Socket Screw	1		
11	5620216003	Hexagon Socket Screw	4		
12	5650598001	Washer	2		
13	2245876002	Nameplate	1		
14	3323135001	Top Switch Box Cover	1		
15	3132757001	Switch Lever	1		
16	2245876001	Nameplate	1		
17	3660124001	Spring	1		
18	3133784001	Bottom Switch Box Cover	1		
19	5610097002	Thread Forming Screw	1		
20	5610294001	Tapping Screw	4		
21	5690203001	O Ring	2		
22	5650015012	Spring Washer	2		
23	3705934001	Blade	1		
24	4870728003	Micro Switch	1		
25	3133790001	Switch Support	1		
26	2243910002	Label	1		
27	2243889016	Nameplate	1		
28	2829345001	Shaft Assembly	1		
29	3128734001	Sleeve	1		
30	5680164001	Inner Hexagon Spanner	1		
201	2851744001	Cutting Head Set	1		
202	2790750001	Gear Case Assembly	1		
203	2790929001	Gear Case Assembly	1		
204	2851745002	Protective Cover Assembly	1		
401	2852010002	Connecting Tube Assembly	1		

