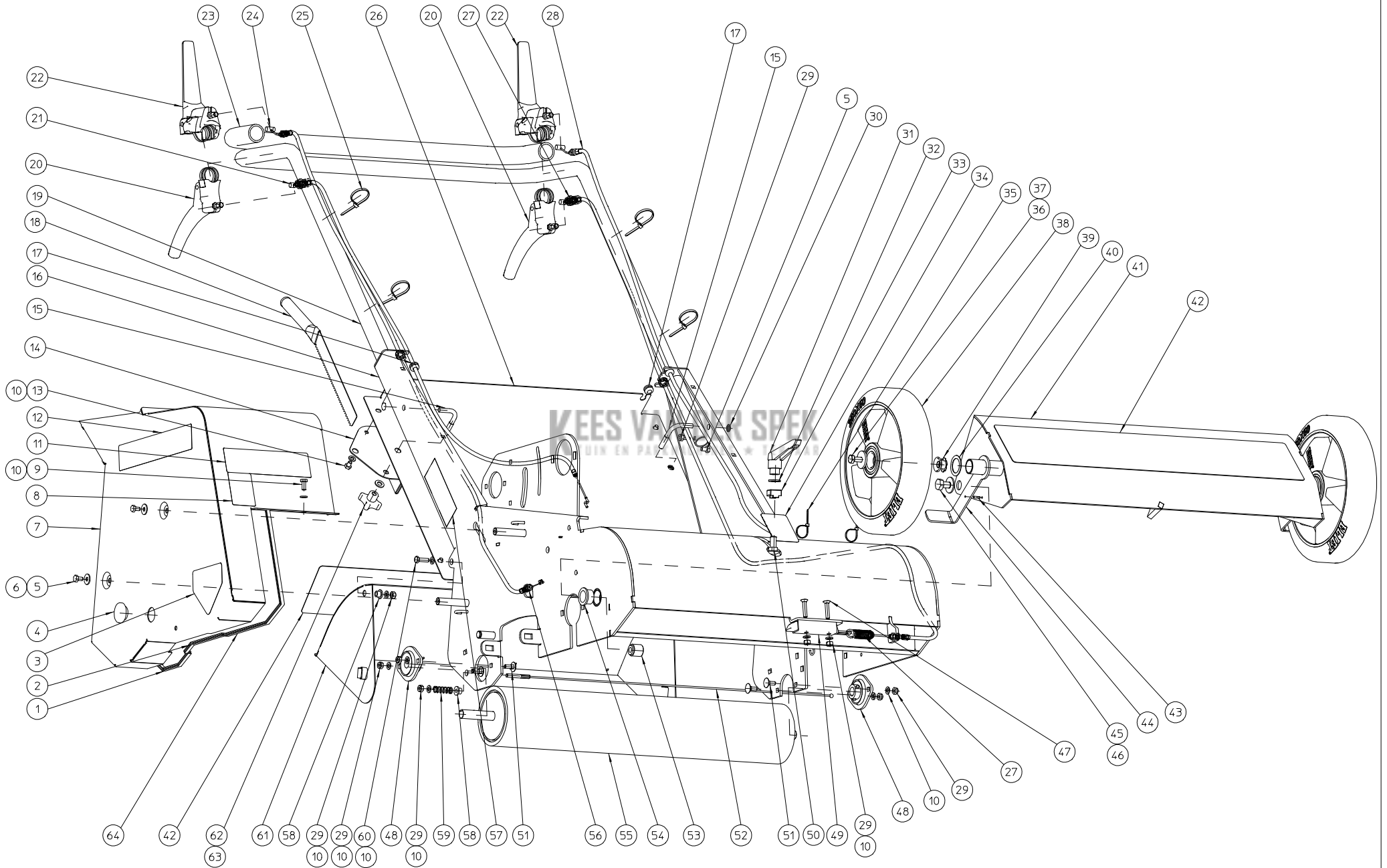


| | | | | | |
|----|----------------|-----|---|---------|------------|
| | | 160 | | DZC 600 | |
| NO | MMA 01 420 100 | REV | 1 | DATE | 2014/09/29 |

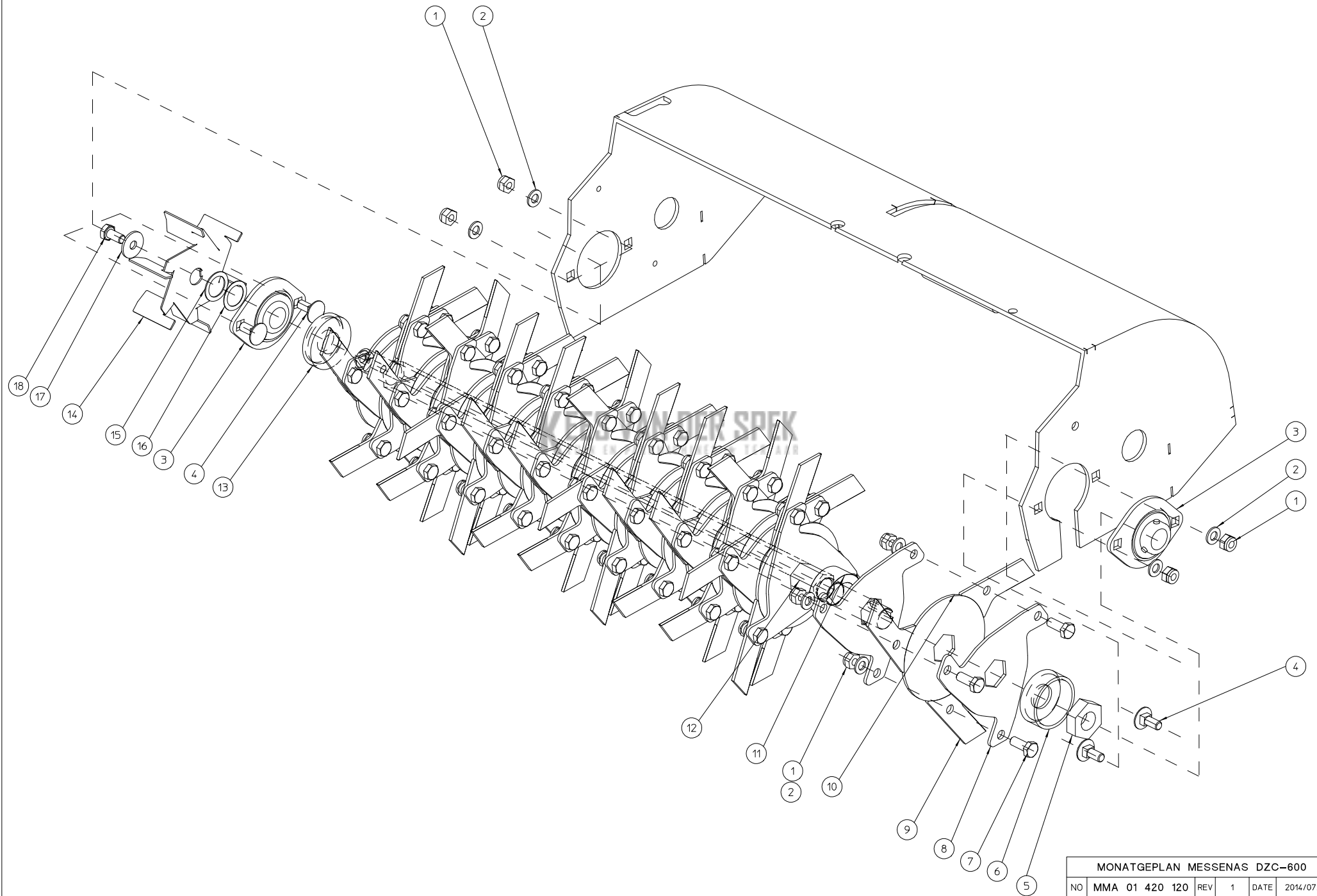
| # | Bestelnummer | Omschrijving | Aantal |
|-----|----------------|------------------------|--------|
| 110 | MMA 01 420 110 | chassis | 0 |
| 120 | MMA 01 420 120 | messenas | 0 |
| 130 | MMA 01 420 130 | zaai-unit | 0 |
| 140 | MMA 01 420 140 | aandrijving messenas | 0 |
| 150 | MMA 01 420 150 | aandrijving tractierol | 0 |
| 160 | MMA 01 420 160 | opties | 0 |



| MONATAGE GESTEL | | | | | |
|-----------------|----------------|-----|---|------|------------|
| NO | MMA 01 420 110 | REV | 1 | DATE | 2014/09/12 |

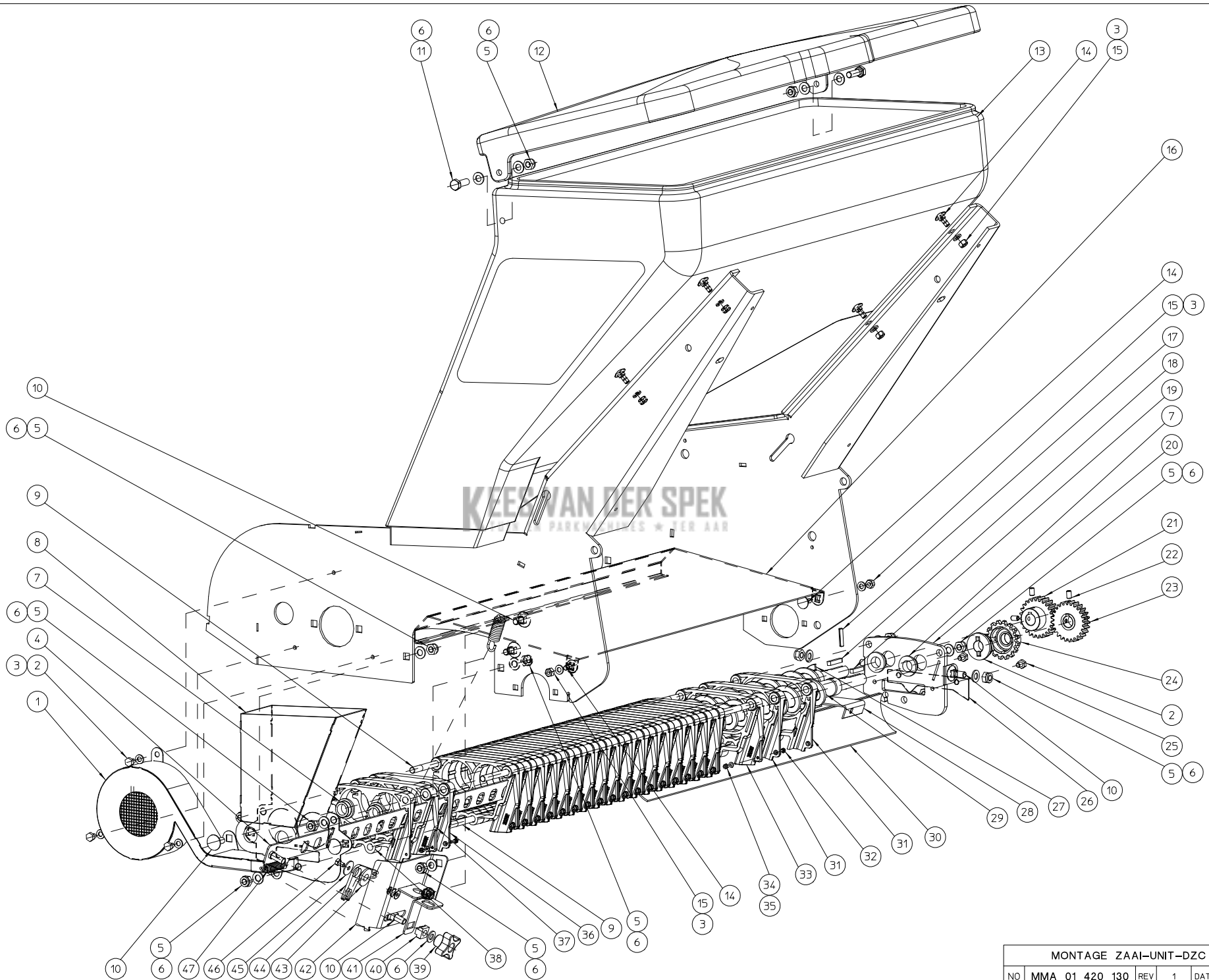
| # | Bestelnummer | Omschrijving | Aantal |
|----|----------------|--|--------|
| 1 | BR 000 910 615 | rubber u-profiel 615mm | 1 |
| 2 | BR 000 910 130 | rubber u-profiel 130mm | 1 |
| 3 | BQ 505 010 070 | veiligheidssticker 100x80 (snijwonden) | 1 |
| 4 | BR 500 102 500 | rubber dop 25x2 | 1 |
| 5 | BS 512 000 610 | bout m6x10 din 933 | 4 |
| 6 | BS 532 006 183 | rondsel m6x18x1.5 | 2 |
| 7 | MPA 01 420 195 | afscherming aandrijving | 1 |
| 8 | BQ 505 112 098 | sticker geluidsniveau 98 db | 1 |
| 9 | BS 512 000 614 | bout m6x14 din 933 | 1 |
| 10 | BS 531 000 600 | rondsel m6 din 125 | 16 |
| 11 | BQ 505 010 171 | veiligheidssticker 70x115 (pictogram) | 1 |
| 12 | BQ 501 251 010 | label-dzc600 250x44 | 1 |
| 13 | BS 512 000 608 | bout m6x8 din 933 | 4 |
| 14 | MPA 01 420 235 | gereedshaphouder | 1 |
| 15 | MPA 01 420 095 | stuur spanklem | 2 |
| 16 | MPA 01 420 020 | gestel | 1 |
| 17 | BR 000 208 030 | rubber draaddoorvoeren 8/3 | 2 |
| 18 | MPA 01 350 495 | rolreiniger | 1 |
| 19 | MPA 01 420 155 | stuurbeugel | 1 |
| 20 | BN 332 500 350 | kabel hendel | 2 |
| 21 | BK 153 181 220 | bedieningskabel tractierol | 1 |
| 22 | BN 332 500 140 | kabel hendel | 2 |
| 23 | BN 231 002 077 | zachte gummi handgreep dia 25mm (l=775mm) | 1 |
| 24 | BK 153 181 460 | bedieningskabel aandrijving messen | 1 |
| 25 | BE 043 010 140 | spanband 140x3.5 | 4 |
| 26 | MPA 01 420 190 | afsluitplaat | 1 |
| 27 | BK 153 180 350 | gesloten kabel grendelbediening | 1 |
| 28 | BK 153 180 351 | gesloten kabel zaadschofbediening | 1 |
| 29 | BS 502 000 600 | borgmoer met nylonring m6 din 985 | 11 |
| 30 | BB 011 000 070 | starlock 7mm | 2 |
| 31 | BN 530 110 830 | klemhendel met inwendige draad m10 | 1 |
| 32 | BS 531 001 000 | rondsel m10 din 125 | 1 |
| 33 | MPA 01 420 090 | aanslag diepteregeling | 1 |
| 34 | BQ 501 251 030 | klever diepteregeling messen 70 x 50 | 1 |
| 35 | BE 043 010 100 | spanband 100x2.5 | 2 |
| 36 | BS 512 000 820 | bout m8x20 din 933 | 2 |
| 37 | BS 532 008 306 | rondsel m8x30x3 | 2 |
| 38 | BW 325 025 000 | achterwiel alu 250/50-60 (e 501 pro) | 2 |
| 39 | BS 508 700 805 | inzetstuk met schorefdraad en veer rond m8 | 2 |
| 40 | BS 036 002 510 | pasring 25x35x1mm din988 | 2 |
| 41 | MPA 01 420 030 | scharnierschelp wielen | 1 |
| 42 | BQ 501 251 020 | label-dzc600 250x44 | 2 |
| 43 | BB 120 030 120 | spanbus 3x12mm din1481 st. | 2 |
| 44 | MPA 01 420 100 | wielschraper | 2 |
| 45 | BS 512 001 016 | bout m10x16 din 933 | 2 |
| 46 | BS 532 010 274 | rondsel m10x27x2 | 2 |
| 47 | BS 522 100 630 | schroef m6x30 din 7991 | 2 |
| 48 | BL 801 101 500 | lager + flenzen aspfl 202 | 2 |
| 49 | BO 360 505 180 | trekgrendel 0° | 1 |
| 50 | BS 554 101 025 | bout m8x60 din 603 | 1 |
| 51 | BS 554 100 616 | bout m6x16 din 603 | 4 |
| 52 | BK 155 250 630 | afslepkabel 2,5x 49 x 630mm | 1 |

| | | | |
|----|----------------|-------------------------------------|---|
| 53 | MPA 01 420 105 | scharnieras schelp | 2 |
| 54 | BR 112 201 500 | nylon bus met kraag (20/24/30x15/2) | 2 |
| 55 | MPA 01 350 515 | berubberde tractierol | 1 |
| 56 | BS 501 900 600 | moer m6 din 439 | 1 |
| 57 | BQ 505 010 010 | identiteitsticker ce 120x30 | 1 |
| 58 | BR 112 060 800 | nylon bus met kraag (6/10/15x8.5/2) | 3 |
| 59 | BV 925 000 010 | drukveer 1,3 x 11 x 33,6 | 1 |
| 60 | BS 512 000 620 | bout m6x20 din 933 | 2 |
| 61 | MPA 01 420 115 | afschermschelp achter | 1 |
| 62 | BN 630 808 400 | sterknopmoer 188-40 m8 | 2 |
| 63 | BS 531 000 800 | rondsel m8 din 125 | 2 |
| 64 | BR 000 910 370 | rubber u-profiel 370mm | 1 |



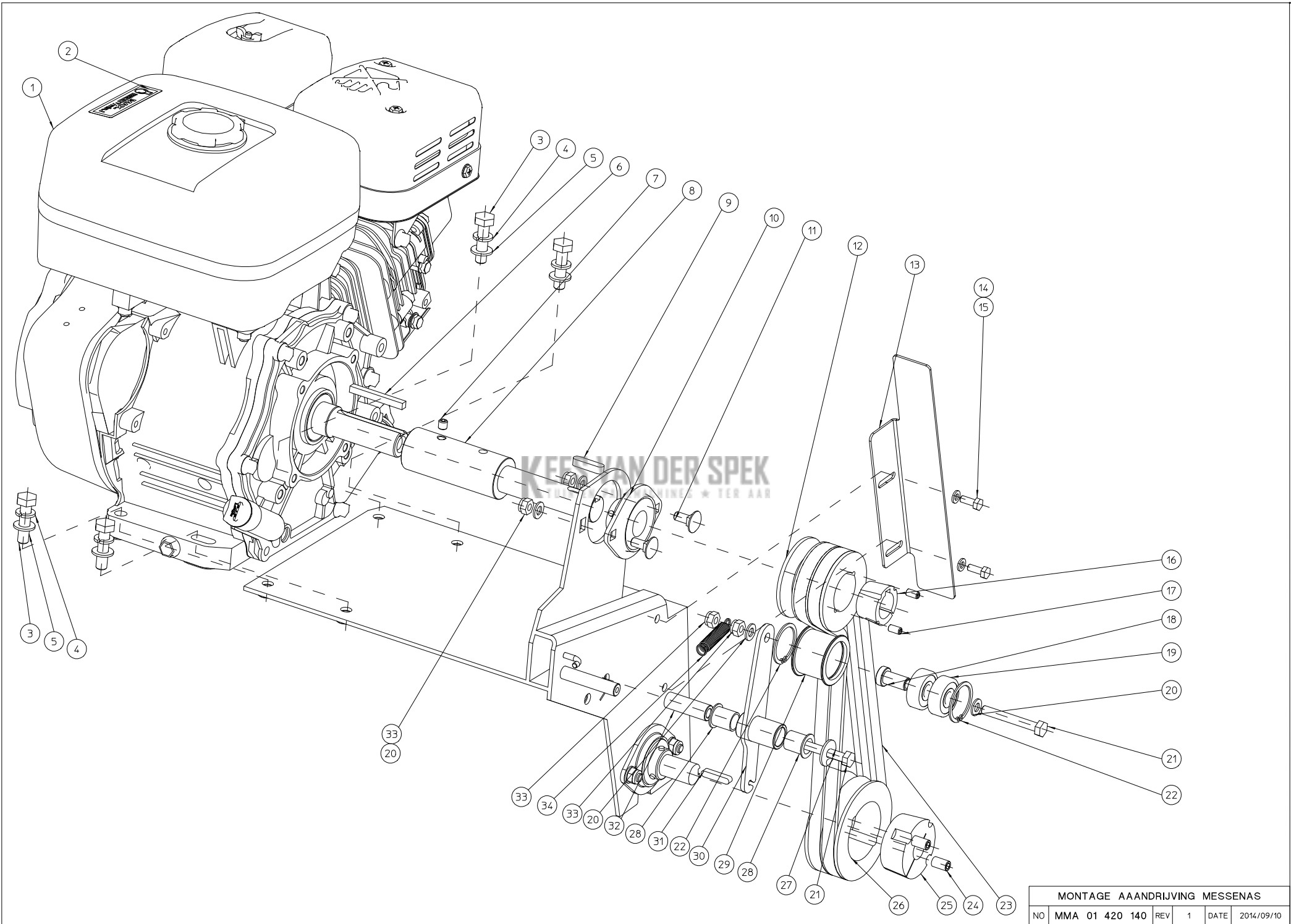
| MONATGEPLAN MESSENAS DZC-600 | | | | | | |
|------------------------------|----------------|-----|---|------|------------|--|
| NO | MMA 01 420 120 | REV | 1 | DATE | 2014/07/18 | |

| # | Bestelnummer | Omschrijving | Aantal |
|----|----------------|-----------------------------------|--------|
| 1 | BS 502 000 800 | borgmoer met nylonring m8 din 985 | 61 |
| 2 | BS 531 000 800 | rondsel m8 din 125 | 61 |
| 3 | BL 801 102 002 | lager + flenzen ucpl 204 | 2 |
| 4 | BS 554 100 820 | bout m8x20 din 603 | 4 |
| 5 | BS 501 902 200 | moer m22x1.50 din 439 | 1 |
| 6 | MPA 01 420 055 | steunsluitring messen rechts | 1 |
| 7 | BS 512 000 820 | bout m8x20 din 933 | 57 |
| 8 | MPA 01 420 040 | mesplaat | 38 |
| 9 | BU 102 200 300 | los mes dzc 600 | 57 |
| 10 | MPA 01 420 035 | tussenring mes | 19 |
| 11 | MPA 01 420 060 | afstandsring mesplaat | 18 |
| 12 | MPA 01 420 045 | messenas | 1 |
| 13 | MPA 01 420 050 | steunsluitring messen links | 1 |
| 14 | MPA 01 420 135 | ventilatorschroef | 1 |
| 15 | BS 036 002 010 | pasring 20x28x1mm din988 | 1 |
| 16 | BS 036 002 005 | pasring 20x28x0.5mm din988 | 1 |
| 17 | BS 532 008 254 | rondsel m8x25x2 | 1 |
| 18 | BS 512 170 816 | bout linkse draad m8x1.25x16 | 1 |



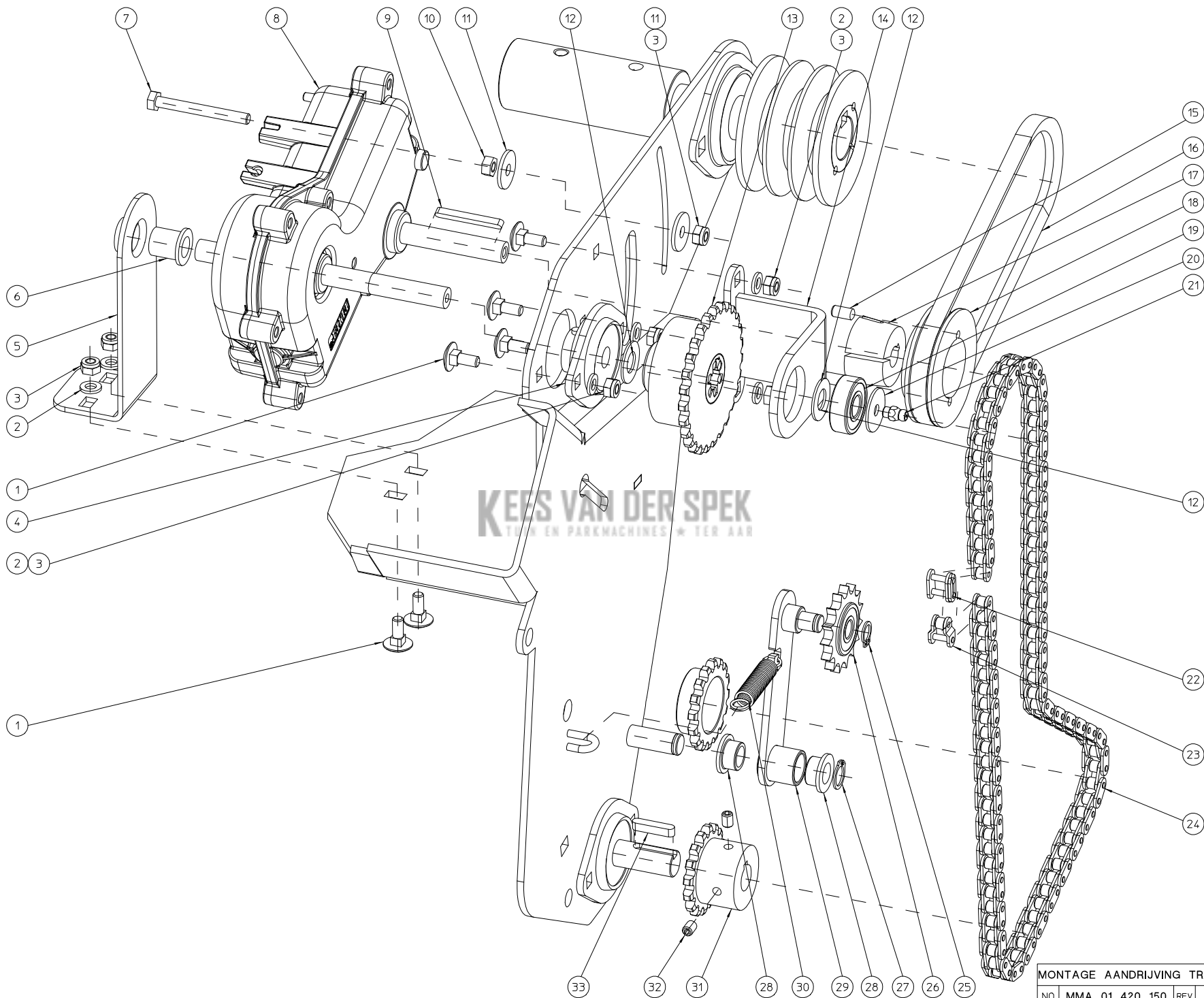
| MONTAGE ZAAI-UNIT-DZC 600 | | | | | |
|---------------------------|----------------|-----|---|------|------------|
| NO | MMA 01 420 130 | REV | 1 | DATE | 2014/07/15 |

| # | Bestelnummer | Omschrijving | Aantal |
|----|----------------|--|--------|
| 1 | MPA 01 420 130 | ventilatorbehuizing | 1 |
| 2 | BS 512 000 608 | bout m6x8 din 933 | 5 |
| 3 | BS 531 000 600 | rondsel m6 din 125 | 9 |
| 4 | MPA 01 420 150 | doseerplaat | 1 |
| 5 | BS 502 000 800 | borgmoer met nylonring m8 din 985 | 14 |
| 6 | BS 531 000 800 | rondsel m8 din 125 | 17 |
| 7 | BR 112 151 090 | nylon bus met kraag (15/21/27x10/3) | 4 |
| 8 | MPA 01 420 085 | zaadtrechter | 1 |
| 9 | MPA 01 420 070 | opspanstang | 3 |
| 10 | BS 554 100 820 | bout m8x20 din 603 | 7 |
| 11 | BS 512 000 825 | bout m8x25 din 933 | 2 |
| 12 | BR 930 040 020 | deksel zaadcontainer | 1 |
| 13 | BR 930 040 010 | zaacontainer | 1 |
| 14 | BS 554 100 616 | bout m6x16 din 603 | 6 |
| 15 | BS 502 000 600 | borgmoer met nylonring m6 din 985 | 6 |
| 16 | MPA 01 420 140 | afscherming zaadunit | 1 |
| 17 | BB 120 050 240 | borgpen 5x24 din 1481 | 1 |
| 18 | BB 351 050 532 | spie 5x5x32 din 6885a | 1 |
| 19 | BB 341 050 525 | spie 5x5x25 din 6880 | 1 |
| 20 | MPA 01 420 075 | afsluitplaat rechts doseerunit | 1 |
| 21 | BA 602 002 502 | tandwiel m2 25t l=31mm | 1 |
| 22 | BS 023 000 610 | stelschroef m6x10 din 916 | 4 |
| 23 | BA 602 002 503 | tandwiel m2 25t l=12.5mm | 1 |
| 24 | BA 171 016 151 | gelagerd kettingwiel 3/8"x7/32"-16t | 1 |
| 25 | BM 262 000 009 | ratel voor kettingwiel | 1 |
| 26 | MPA 01 420 180 | afdichtplaatje luchtkanaal | 1 |
| 27 | MPA 01 420 205 | archimedesschroef afvoer | 1 |
| 28 | MPA 01 420 230 | u-steun doseer-unit | 1 |
| 29 | MPA 01 420 065 | archimedesschroef | 1 |
| 30 | BY 431 306 059 | bandje deflector Ø5+60x590 mm | 1 |
| 31 | BR 930 040 060 | doorloop doseer unit links | 2 |
| 32 | BS 512 000 312 | bout m3x12 din 933 | 19 |
| 33 | BR 930 040 070 | doorloop doseer unit rechts | 1 |
| 34 | BS 502 000 300 | borgmoer met nylonring m3 din 985 | 19 |
| 35 | BS 531 000 300 | rondsel m3 din 125 | 19 |
| 36 | BR 930 040 030 | zaadelement rechts | 18 |
| 37 | BR 930 040 040 | zaadelement links | 18 |
| 38 | BR 930 040 050 | einddoseerunit | 1 |
| 39 | BN 630 808 400 | sterknopmoer 188-40 m8 | 1 |
| 40 | MPA 01 420 170 | klemstuk doseercontrole | 1 |
| 41 | MPA 01 420 175 | doseer controleplaatje | 1 |
| 42 | MPA 01 420 160 | scharniersteun doseerplaat | 1 |
| 43 | BR 112 100 600 | nylon bus met kraag (10/13.5/25x6/2.5) | 1 |
| 44 | MPA 01 420 165 | scharnierhefboom | 1 |
| 45 | BS 532 005 202 | rondsel m5x20x1.5 | 1 |
| 46 | BS 512 000 508 | bout m5x8 din 933 | 1 |
| 47 | BV 912 000 010 | trekveer | 1 |



| MONTAGE AAANDRIJVING MESSENAS | | | | | | |
|-------------------------------|----------------|-----|---|------|------------|--|
| NO | MMA 01 420 140 | REV | 1 | DATE | 2014/09/10 | |

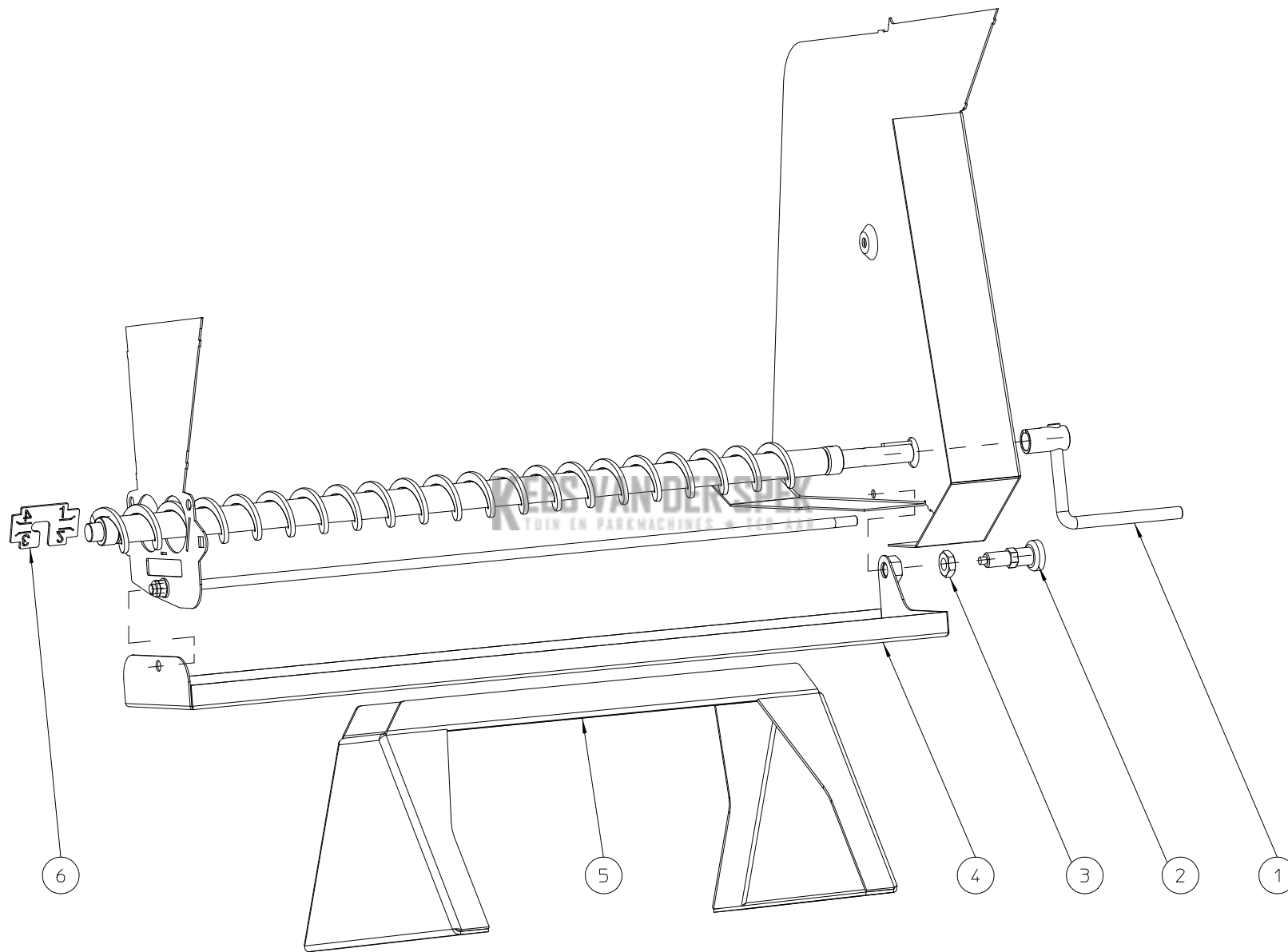
| # | Bestelnummer | Omschrijving | Aantal |
|----|----------------|---------------------------------------|--------|
| 1 | BM 204 109 000 | subaru ex27 | 1 |
| 2 | BQ 505 010 020 | sticker max 2800 t/min 90x25 | 1 |
| 3 | BS 511 001 040 | bout m10x40 din 931 | 4 |
| 4 | BS 533 001 000 | borgrondsel m10 din 127b | 4 |
| 5 | BS 531 001 000 | rondsel m10 din 125 | 4 |
| 6 | BB 342 060 657 | spie 6.35x6.35x57 din 6880 | 1 |
| 7 | BS 023 000 808 | stelschroef m8x8 din 916 | 1 |
| 8 | MPA 01 350 125 | verlengde motoras | 1 |
| 9 | BB 351 080 732 | spie 8x7x32 din 6885a | 1 |
| 10 | BL 801 102 500 | lager + flenzen aspfl 205 | 1 |
| 11 | BS 554 100 820 | bout m8x20 din 603 | 2 |
| 12 | BA 562 707 130 | riemschijf spa iii 71 tl1108 | 1 |
| 13 | MPA 01 350 190 | riemvanger | 1 |
| 14 | BS 531 000 600 | rondsel m6 din 125 | 2 |
| 15 | BS 512 000 616 | bout m6x16 din 933 | 2 |
| 16 | BB 501 112 500 | klembus tl 1108-25 | 1 |
| 17 | BB 501 306 130 | klembusschroef 1/4"x1/2" | 2 |
| 18 | MPA 01 350 040 | afstandsbus riemspanner verzinkt | 1 |
| 19 | BL 001 203 703 | lager 6301 2rz | 2 |
| 20 | BS 531 000 800 | rondsel m8 din 125 | 4 |
| 21 | BS 511 000 844 | bout m8x60 din 931 | 2 |
| 22 | BB 002 000 370 | borgring 32 din 472 | 2 |
| 23 | BA 527 708 380 | riem 4l 330 | 2 |
| 24 | BB 501 310 160 | klembusschroef 3/8"x5/8" | 2 |
| 25 | BB 501 132 000 | klembus tl 1610-20 | 1 |
| 26 | BA 562 709 021 | riemschijf spa ii 90 tl1610 | 1 |
| 27 | BS 532 008 254 | rondsel m8x25x2 | 1 |
| 28 | BR 112 152 100 | nylon bus met kraag (15.4/18/23x21/1) | 2 |
| 29 | MPA 01 350 030 | aandrukrol riemspanner | 1 |
| 30 | MPA 01 350 025 | steun aandrukrol | 1 |
| 31 | BB 351 060 630 | spie 6x6x30 din 6885a | 1 |
| 32 | MPA 01 350 035 | scharnierduim riemspanner | 1 |
| 33 | BS 502 000 800 | borgmoer met nylonring m8 din 985 | 4 |
| 34 | BV 011 011 005 | veer 1x11x55 | 1 |



MONTAGE AANDRIJVING TRACTIEROL DZC-600

| | | | | | |
|----|----------------|-----|---|------|------------|
| NO | MMA 01 420 150 | REV | 1 | DATE | 2014/02/21 |
|----|----------------|-----|---|------|------------|

| # | Bestelnummer | Omschrijving | Aantal |
|----|----------------|---|--------|
| 1 | BS 554 100 616 | bout m6x16 din 603 | 6 |
| 2 | BS 531 000 600 | rondsel m6 din 125 | 6 |
| 3 | BS 502 000 600 | borgmoer met nylonring m6 din 985 | 7 |
| 4 | BL 801 101 200 | lager + flenzen aspfl 201 | 1 |
| 5 | MPA 01 350 135 | steun reductiekast | 1 |
| 6 | BR 112 121 900 | nylon bus met kraag (12/16/21x19/2) | 1 |
| 7 | BS 512 000 643 | bout m6x55 din 933 | 1 |
| 8 | BA 670 405 405 | reduktiekast e600 compactor | 1 |
| 9 | BB 351 040 440 | spie 4x4x40 din 6885a | 1 |
| 10 | BS 501 000 600 | moer m6 din 934 | 1 |
| 11 | BS 532 006 224 | rondsel m6x22x2 | 2 |
| 12 | BR 111 120 100 | nylon bus (12.2x24x1.3) | 2 |
| 13 | BA 171 027 289 | kettingwiel simplex 3/8"x7/32" 27t + clutch mechanism | 1 |
| 14 | MPA 01 350 260 | lagersteun | 1 |
| 15 | BB 501 306 130 | klembusschroef 1/4"x1/2" | 2 |
| 16 | BA 521 404 870 | riem z 487 | 1 |
| 17 | BB 501 111 200 | klembus tl 1108-12 | 1 |
| 18 | BA 561 706 310 | riemschijf spz 63 tl1108 | 1 |
| 19 | BL 001 203 203 | lager 6201 zz | 1 |
| 20 | BS 532 006 253 | rondsel m6x25x1.5 | 1 |
| 21 | BY 100 106 100 | smeernippel m6 din 71412 | 1 |
| 22 | BA 151 200 000 | verbindingsschakel simplex 3/8"x7/32" | 1 |
| 23 | BA 151 400 000 | verbindingsschakel simplex (1/2) 3/8"x7/32" | 1 |
| 24 | BA 101 097 020 | ketting simplex 3/8"x7/32" 97s | 1 |
| 25 | BB 001 000 100 | borgring 10 din 471 | 1 |
| 26 | BA 198 010 150 | kettingwiel simplex 3/8"x7/32" 15t + lager | 1 |
| 27 | BB 001 000 120 | borgring 12 din 471 | 1 |
| 28 | BR 112 121 090 | nylon bus met kraag (12/16/22x10/2) | 2 |
| 29 | MPA 01 420 110 | steun kettingspanner | 1 |
| 30 | BV 011 311 005 | veer 1,3x11x55 | 1 |
| 31 | BA 171 016 002 | kettingwiel simplex 3/8"x7/32" 16t | 1 |
| 32 | BS 023 000 608 | stelschroef m6x8 din 916 | 2 |
| 33 | BB 351 050 525 | spie 5x5x25 din 6885a | 1 |



| OPTTIES DZC-600 | | | | |
|-----------------|----------------|-----|---|-----------------|
| NO | MMA 01 420 160 | REV | 1 | DATE 2014/09/29 |

| # | Bestelnummer | Omschrijving | Aantal |
|---|----------------|---------------------------------|--------|
| 1 | MPA 01 420 120 | draaihendel schroef | 1 |
| 2 | BN 000 212 550 | indexbouten met vergrendelgleuf | 1 |
| 3 | BS 501 901 202 | moer m12x1 din 439b | 1 |
| 4 | MPA 01 420 185 | zaadopvanggoot dzc600 | 1 |
| 5 | MPA 01 420 220 | easy clean | 1 |
| 6 | MPA 01 420 210 | instelplaatje zaadverdeler | 1 |