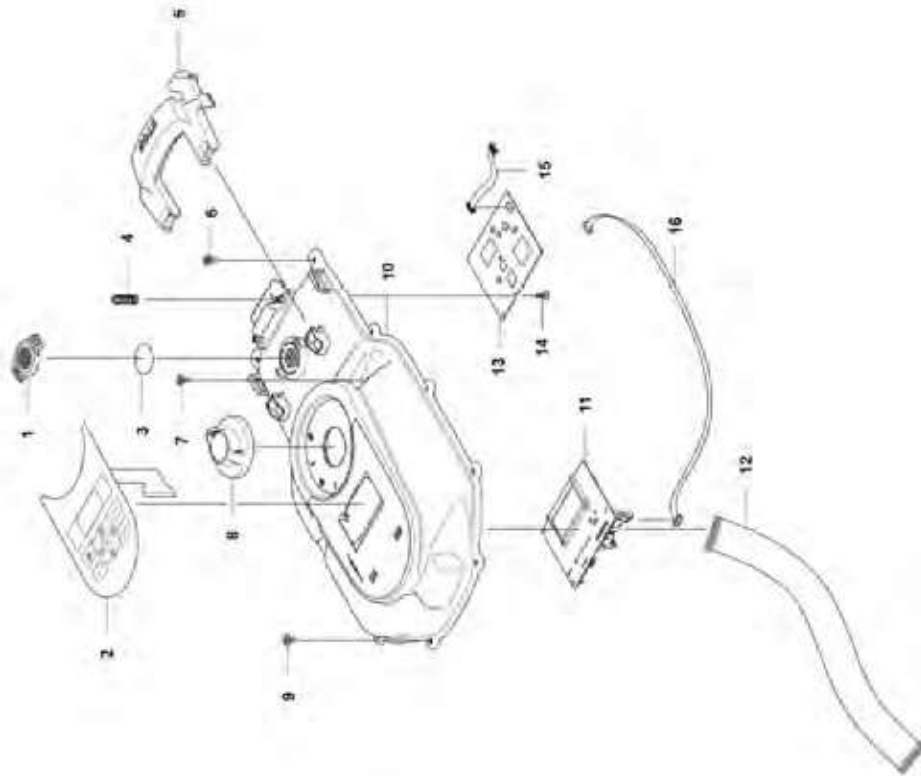
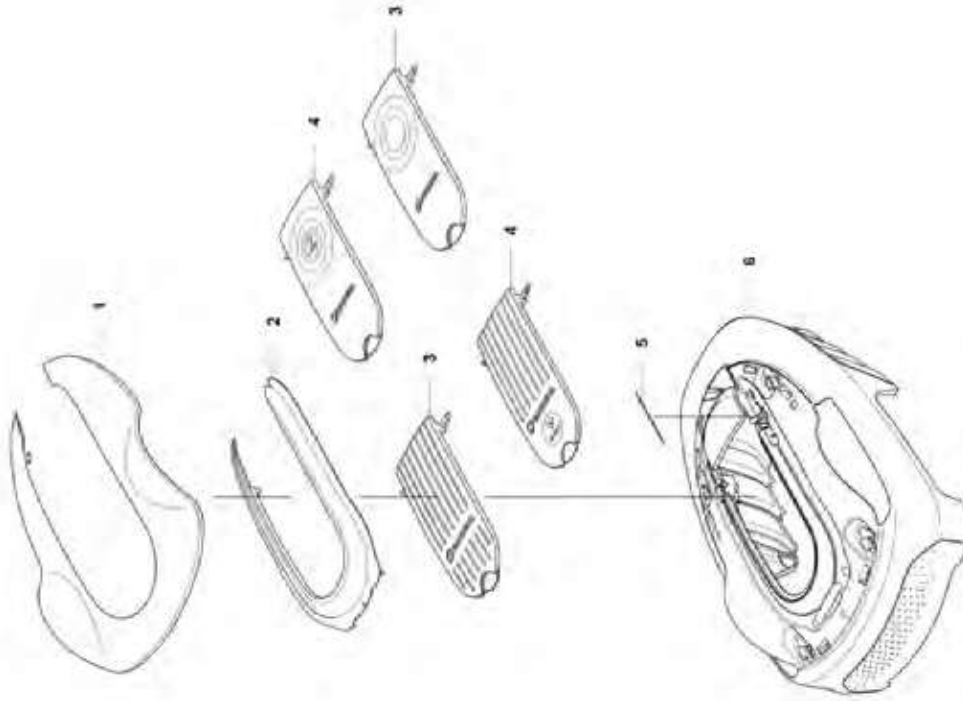


B



KEES VAN DER SPEK
TUIN EN PARKMACHINES * TER AAR

A



| Bild Nr. Picture No. | Ersatzteil-Nr. Spare Part No. | Bezeichnung | Description | Désignation |
|-------------------------|----------------------------------|-------------------------------------|--|---|
| Art. 15001 A | | Mähroboter SILENO city | Robotic Lawnmower SILENO city | Tondeuse robot SILENO city |
| Art. 15002 A | | Mähroboter SILENO city | Robotic Lawnmower SILENO city | Tondeuse robot SILENO city |
| Art. 19066 A | | Mähroboter smart SILENO city | Robotic Lawnmower smart SILENO city | Tondeuse robot smart SILENO city |
| Art. 19069 A | | Mähroboter smart SILENO city | Robotic Lawnmower smart SILENO city | Tondeuse robot smart SILENO city |
| 1 | 58-28.245.01 | Abdeckung oben | Top cover | Capot supérieure |
| 2 | 58-29.165.01 | Rahmen | Frame | Cadran |
| 3 | 58-28.442.01 | Display Klappe | Hatch | Clapet |
| 4 | 59-33.486.01 | Display Klappe smart | Hatch HMI Smart | Clapet HMI Smart |
| 5 | 58-84.702.01 | Feder | Spring | Ressort |
| 6 | 59-14.445.01 | Gehäuse | Body | Carter |

| | | | | |
|---|--------------|----------------------------------|--------------------------------------|--|
| | | <u>ab Seriennummer 2146xxxxx</u> | <u>since Serial number 2146xxxxx</u> | <u>à partir de numéro de série 2146xxxxx</u> |
| 2 | 58-29.165.03 | Rahmen | Frame | Cadran |
| 3 | 53-11.778.02 | Display Klappe | Hatch | Clapet |
| 4 | 53-11.778.03 | Display Klappe smart | Hatch HMI Smart | Clapet HMI Smart |
| 6 | 59-63.501.02 | Gehäuse | Body | Carter |

| | | | | |
|--------------|--------------|-------------------------------------|--|---|
| Art. 15010 A | | Mähroboter SILENO city | Robotic Lawnmower SILENO city | Tondeuse robot SILENO city |
| Art. 19603 A | | Mähroboter smart SILENO city | Robotic Lawnmower smart SILENO city | Tondeuse robot smart SILENO city |
| 1 | 58-28.245.01 | Abdeckung oben | Top cover | Capot supérieure |
| 2 | 58-29.165.03 | Rahmen | Frame | Cadran |
| 3 | 53-11.778.02 | Display Klappe | Hatch | Clapet |
| 4 | 53-11.778.03 | Display Klappe smart | Hatch HMI Smart | Clapet HMI Smart |
| 5 | 58-84.702.01 | Feder | Spring | Ressort |
| 6 | 59-63.501.02 | Gehäuse | Body | Carter |



| | | | | |
|--------------|--------------|-------------------------------------|--|---|
| Art. 15001 B | | Mähroboter SILENO city | Robotic Lawnmower SILENO city | Tondeuse robot SILENO city |
| Art. 15002 B | | Mähroboter SILENO city | Robotic Lawnmower SILENO city | Tondeuse robot SILENO city |
| Art. 15010 B | | Mähroboter SILENO city | Robotic Lawnmower SILENO city | Tondeuse robot SILENO city |
| Art. 19066 B | | Mähroboter smart SILENO city | Robotic Lawnmower smart SILENO city | Tondeuse robot smart SILENO city |
| Art. 19069 B | | Mähroboter smart SILENO city | Robotic Lawnmower smart SILENO city | Tondeuse robot smart SILENO city |
| Art. 19603 B | | Mähroboter smart SILENO city | Robotic Lawnmower smart SILENO city | Tondeuse robot smart SILENO city |
| 1 | 58-60.389.01 | Deckel Goretex Filter | Cover Air filter | Couvercle filtre |
| 2 | 58-37.910.01 | Tastatur | Keyboard | Keyboard |
| 3 | 57-77.537.01 | Luftfilter Set (10 Stück) | Air Filter (10 pieces) | Filtre à air (10 pièces) |
| 4 | 57-62.422.01 | Feder | Spring | Ressort |
| 5 | 59-14.525.01 | Stopptaste | Stop button | Gâchette stop |
| 6* | 57-44.501.01 | Schraube | Screw | Vis |
| 7* | 57-44.501.01 | Schraube | Screw | Vis |
| 8 | 58-79.865.01 | Knopf Höhenverstellung | Knob height adjustment | Bouton réglage d'hauteur |
| 9* | 57-44.501.01 | Schraube | Screw | Vis |
| 10 | 58-28.241.02 | Gehäuse oben | Chassis upper | Carter supérieure |
| 12 | 59-01.106.01 | Kabel | Cable | Cable |
| 13 | 59-92.438.01 | Platine, kpl. | Printed circuit board assy. | Platine électronique, cpl. |
| 14* | 57-44.501.01 | Schraube | Screw | Vis |
| 15 | 57-97.086.01 | Kabel | Cable | Cable |
| 16 | 59-31.489.01 | Verkabelung | Wiring | Cable |

| | | | | |
|----|--------------|----------------------------------|--------------------------------------|--|
| | | <u>ab Seriennummer 2146xxxxx</u> | <u>since Serial number 2146xxxxx</u> | <u>à partir de numéro de série 2146xxxxx</u> |
| 13 | 53-60.455.01 | Platine, kpl. | Printed circuit board assy. | Platine électronique, cpl. |

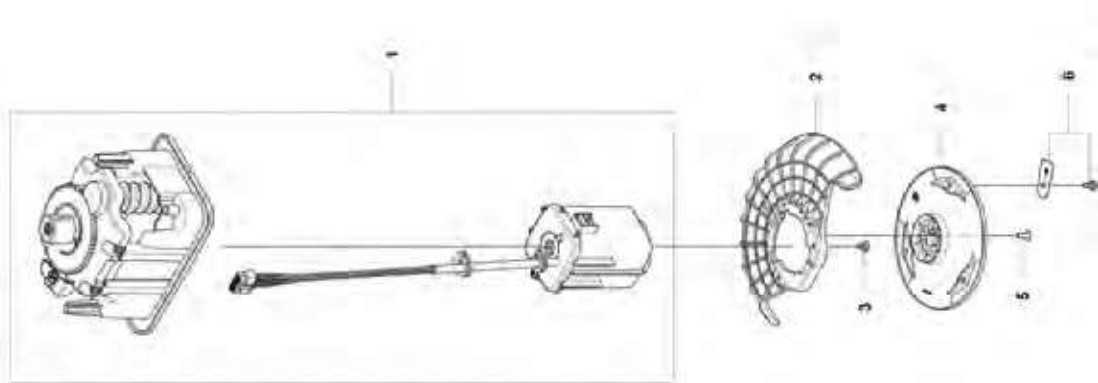
* **Achtung!!** Abgabemenge nur im 10-er Pack. Angegebener Preis ist per Stück!
 * **Attention!!** Delivery quantity only in 10 pieces multipack. Indicated price is each piece!
 * **Attention!!** Quantité de livraison seulement part paquet de 10 pièces. Le prix indiqué est pour une pièce.

Nur die aufgeführten Teile
sind lieferbar!

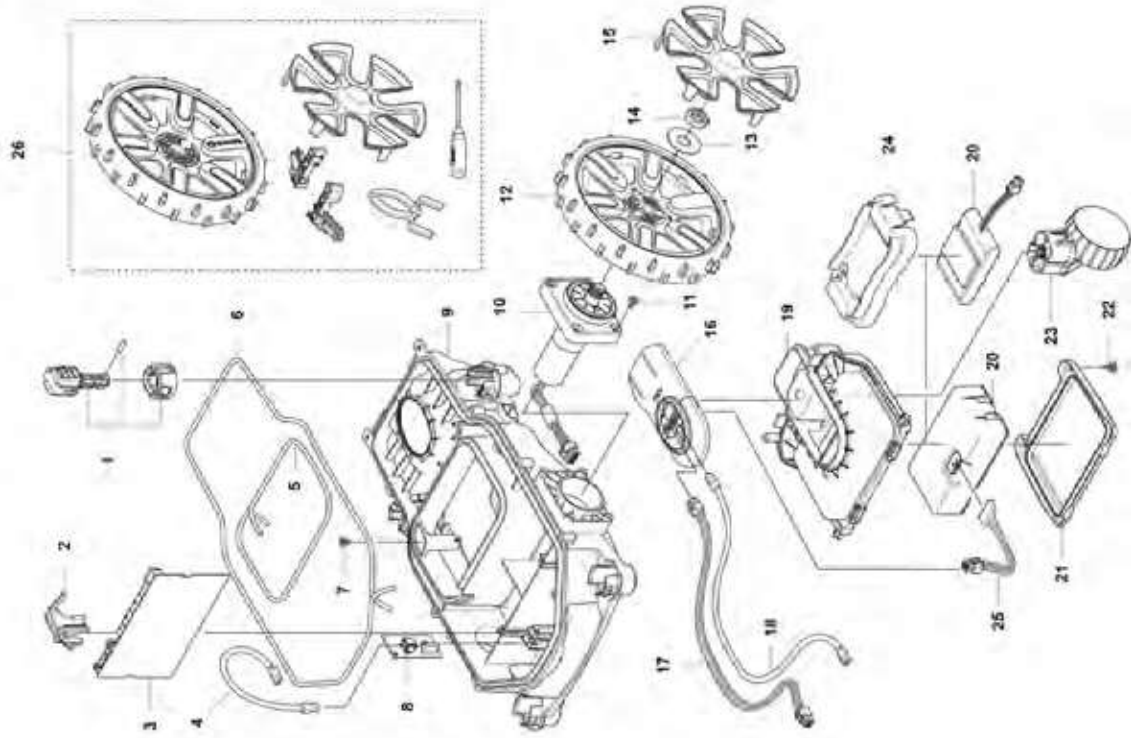
Only the mentioned
spare parts are available!

Seules les pièces indiquées
sont disponibles!

D



C



KEES VAN DER SPEK
 TUIN EN PARKMACHINES * TER AAR

| Bild Nr. Picture No. | Ersatzteil-Nr. Spare Part No. | Bezeichnung | Description | Désignation |
|-------------------------|----------------------------------|--|--|--|
| Art. 15001 C | | Mähroboter SILENO city | Robotic Lawnmower SILENO city | Tondeuse robot SILENO city |
| Art. 15002 C | | Mähroboter SILENO city | Robotic Lawnmower SILENO city | Tondeuse robot SILENO city |
| Art. 15010 C | | Mähroboter SILENO city | Robotic Lawnmower SILENO city | Tondeuse robot SILENO city |
| Art. 19066 C | | Mähroboter smart SILENO city | Robotic Lawnmower smart SILENO city | Tondeuse robot smart SILENO city |
| Art. 19069 C | | Mähroboter smart SILENO city | Robotic Lawnmower smart SILENO city | Tondeuse robot smart SILENO city |
| Art. 19603 C | | Mähroboter smart SILENO city | Robotic Lawnmower smart SILENO city | Tondeuse robot smart SILENO city |
| 1 | 59-07.707.01 | Aufnahme, kpl. | Support, cpl. | Admission, cpl. |
| 2 | 59-14.742.01 | Halterung | Clip PCB | Crochet |
| 4 | 58-93.508.01 | Kabel | Wiring | Cable |
| 5 | 57-48.747.11 | Dichtung | Seal strip | Joint |
| 6 | 57-48.747.10 | Dichtung | Seal strip | Joint |
| 6 | 59-32.657.01 | Dichtungssatz | Sealing kit | Jeu de joints |
| 7* | 57-44.501.01 | Schraube | Screw | Vis |
| 8 | 59-29.098.01 | Platine Schleifensensor | Printed curcuit assy. | Platine électronique, cpl. |
| 9 | 58-28.240.01 | Gehäuse unten | Chassis Lower | Carter inférieure |
| 10 | 58-74.494.04 | Radmotor, kpl. | Wheel motor assy. | Moteur de roue cpl. |
| 11* | 57-44.501.01 | Schraube | Screw | Vis |
| 12 | 59-05.871.01 | Rad | Wheel | Roue |
| 13 | 58-62.106.01 | Scheibe | Washer | Disque |
| 14 | 73-14.324.01 | Mutter M16 | Nut M16 | Écrou M16 |
| 15 | 59-06.602.01 | Radkappe | Hub cap | Enjoliveur de roue |
| 16 | 59-30.946.01 | Ladeelektronik kpl. | Electronic circuit, cpl. | Électronique, cpl. |
| 17 | 58-93.511.01 | Verkabelung Ladekontakt | Wiring | Cable |
| 18 | 58-93.510.01 | Verkabelung | Wiring | Cable |
| 19 | 58-28.246.01 | Gehäuse | Housing | Carter |
| 20 | 58-95.862.01 | Batterie Li-Ion 18 V | Batterie Li-Ion 18 V | Batterie Li-Ion 18 V |
| 21 | 58-28.249.01 | Batteriedeckel | Hatch Battery | Clapet batterie |
| 22* | 57-44.501.01 | Schraube | Screw | Vis |
| 23 | 58-93.008.01 | Hinterrad, kpl. | Rear wheel assy. | Roue arrière, cpl. |
| 24 | 50-19.261.01 | Halter | Holder | Support |
| 25 | 59-12.036.02 | Batteriekabel | Battery cable | Câble de batterie |
| 10 | 59-85.873.01 | <u>ab Seriennummer 1945XXXXX</u> Radmotor, kpl. | <u>since Serial number 1945XXXXX</u> Wheel motor assy. | <u>à partir de numéro de série 1945XXXXX</u> Moteur de roue cpl. |
| 20 | 59-32.472.01 | <u>ab Seriennummer 185004490</u> Batterie Li-Ion 18 V | <u>since Serial number 185004490</u> Batterie Li-Ion 18 V | <u>à partir de numéro de série 185004490</u> Batterie Li-Ion 18 V |

| | | | | |
|--------------|----------------|-------------------------------------|-------------------------------------|----------------------------------|
| Art. 15001 D | | Mähroboter SILENO city | Robotic Lawnmower SILENO city | Tondeuse robot SILENO city |
| Art. 15002 D | | Mähroboter SILENO city | Robotic Lawnmower SILENO city | Tondeuse robot SILENO city |
| Art. 15010 D | | Mähroboter SILENO city | Robotic Lawnmower SILENO city | Tondeuse robot SILENO city |
| Art. 19066 D | | Mähroboter smart SILENO city | Robotic Lawnmower smart SILENO city | Tondeuse robot smart SILENO city |
| Art. 19069 D | | Mähroboter smart SILENO city | Robotic Lawnmower smart SILENO city | Tondeuse robot smart SILENO city |
| Art. 19603 D | | Mähroboter smart SILENO city | Robotic Lawnmower smart SILENO city | Tondeuse robot smart SILENO city |
| 1 | 59-38.214.01 | Schneidsystem | Cutting system | System de coupage |
| 2 | 58-93.507.02 | Messerschutz | Guard | Protecteur |
| 3* | 57-44.501.01 | Schraube | Screw | Vis |
| 4 | 59-76.560.01 | Messerscheibe | Cutting disc | Plaque de coupe |
| 5 | 59-05.087.01 | Schraube | Screw | Vis |
| 6 | 4087-00.701.00 | Ersatzmesser (9 St.) (Art. 4087-20) | Blades (9 pcs.) (Art. 4087-20) | Lame (9 pcs.) (Réf. 4087-20) |

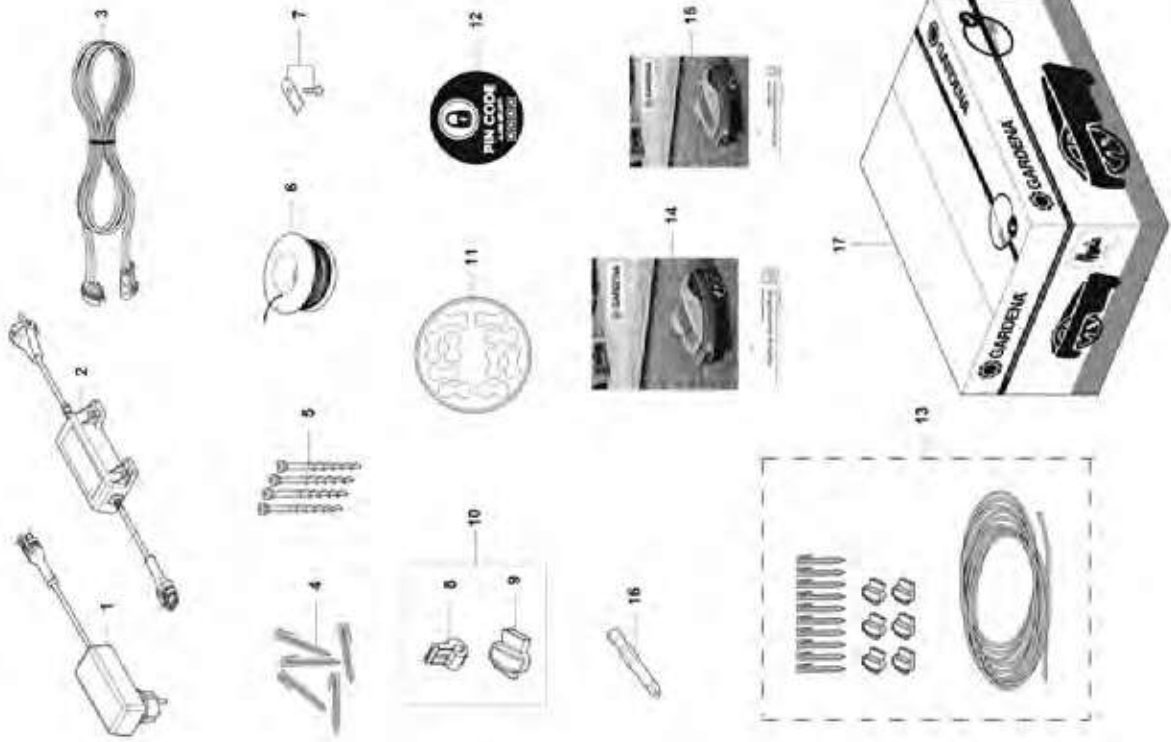
* **Achtung!!** Abgabemenge nur im 10-er Pack. Angegebener Preis ist per Stück!
* **Attention!!** Delivery quantity only in 10 pieces multipack. Indicated price is each piece!
* **Attention!!** Quantité de livraison seulement part paquet de 10 pièces. Le prix indiqué est pour une pièce.

Nur die aufgeführten Teile
sind lieferbar!

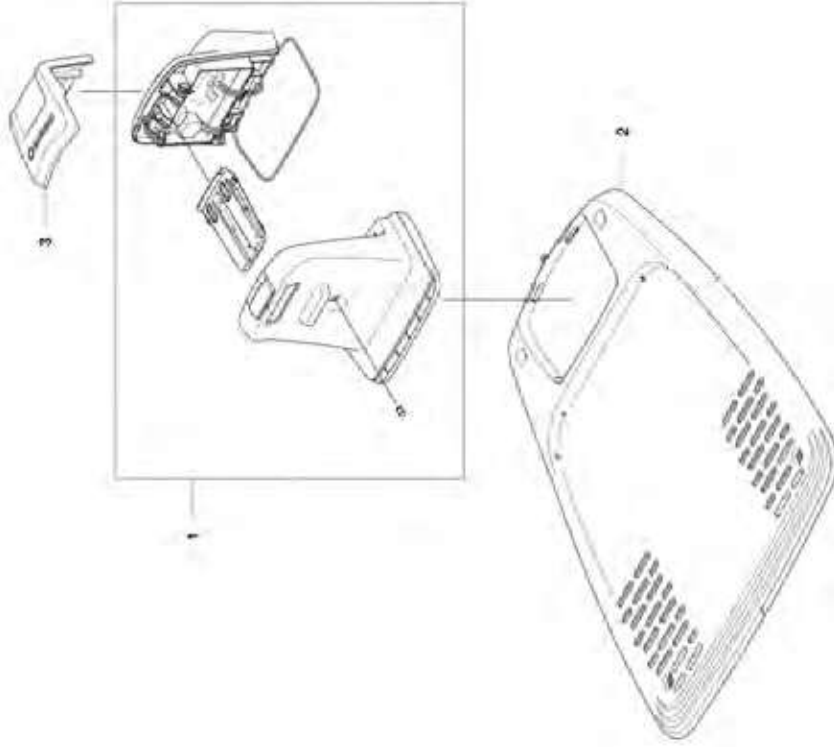
Only the mentioned
spare parts are available!

Seules les pièces indiquées
sont disponibles!

F



E

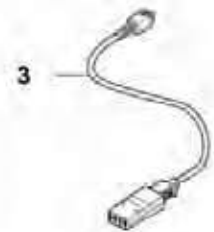
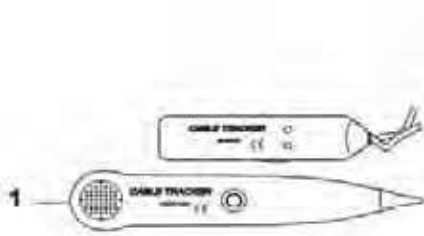


KEES VAN DER SPEK
TUIN EN PARKMACHINES * TER AAR

| Bild Nr. Picture No. | Ersatzteil-Nr. Spare Part No. | Bezeichnung | Description | Désignation |
|-------------------------|----------------------------------|------------------------------|-------------------------------------|---------------------------------------|
| Art. 15001 E | | Mähroboter SILENO city | Robotic Lawnmower SILENO city | Tondeuse robot SILENO city |
| Art. 15002 E | | Mähroboter SILENO city | Robotic Lawnmower SILENO city | Tondeuse robot SILENO city |
| Art. 15010 E | | Mähroboter SILENO city | Robotic Lawnmower SILENO city | Tondeuse robot SILENO city |
| Art. 19066 E | | Mähroboter smart SILENO city | Robotic Lawnmower smart SILENO city | Tondeuse robot smart SILENO city |
| Art. 19069 E | | Mähroboter smart SILENO city | Robotic Lawnmower smart SILENO city | Tondeuse robot smart SILENO city |
| Art. 19603 E | | Mähroboter smart SILENO city | Robotic Lawnmower smart SILENO city | Tondeuse robot smart SILENO city |
| 1 | 59-32.464.02 | Ladestation Turm | Charging Station Tower | Station de Charge |
| 2 | 58-27.843.01 | Grundplatte Ladestation | Base plate charging station | Plaque de base pour station de charge |
| 3 | 59-33.072.01 | Kappe Ladestation | Cap Charging station | Capuchon Station de Charge |



| | | | | |
|--------------|-----------------|---|---|--|
| Art. 15001 F | | Mähroboter SILENO city | Robotic Lawnmower SILENO city | Tondeuse robot SILENO city |
| Art. 15002 F | | Mähroboter SILENO city | Robotic Lawnmower SILENO city | Tondeuse robot SILENO city |
| Art. 15010 F | | Mähroboter SILENO city | Robotic Lawnmower SILENO city | Tondeuse robot SILENO city |
| Art. 19066 F | | Mähroboter smart SILENO city | Robotic Lawnmower smart SILENO city | Tondeuse robot smart SILENO city |
| Art. 19069 F | | Mähroboter smart SILENO city | Robotic Lawnmower smart SILENO city | Tondeuse robot smart SILENO city |
| Art. 19603 F | | Mähroboter smart SILENO city | Robotic Lawnmower smart SILENO city | Tondeuse robot smart SILENO city |
| 1 | 59-31.636.01 | Netzgerät EU 28 V, 1,3 A | Power unit EU 28 V, 1,3 A | Transformateur EU 28 V, 1,3 A |
| 2 | 59-04.422.02 | Netzgerät UK 28 V, 1,3 A | Power unit UK 28 V, 1,3 A | Transformateur UK 28 V, 1,3 A |
| 2 | 59-04.422.03 | Netzgerät CH 28 V, 1,3 A | Power unit CH 28 V, 1,3 A | Transformateur CH 28 V, 1,3 A |
| 3 | 57-98.251.01 | Niederspannungskabel 20 m | Low voltage cable 20 m | Câble basse tension 20 m |
| 3 | 57-98.251.02 | Niederspannungskabel 10 m | Low voltage cable 10 m | Câble basse tension 10 m |
| 3 | 57-98.251.04 | Niederspannungskabel 5 m | Low voltage cable 5 m | Câble basse tension 5 m |
| 3 | 57-98.251.03 | Niederspannungskabel 3 m | Low voltage cable 3 m | Câble basse tension 3 m |
| 4 | 4090-00.701.00 | Haken (100 Stück) (Art. 4090-20) | Staples (100 pcs.) (Art. 4090-20) | Cavaliers (100 pcs.) (Réf. 4090-20) |
| 5 | 57-52.386.06 | Schrauben (4 St.) | Anchor screw (4 pcs.) | Vis (4 pcs.) |
| 6 | 4058-00.701.00 | Begrenzungskabel 50 m (Art. 4058-20) | Loop wire 50 m (Art. 4058-20) | Câble périphérique 50 m (Réf. 4058-20) |
| 6 | 4088-00.701.00 | Begrenzungskabel 150 m (Art. 4088-20) | Loop wire 150 m (Art. 4088-20) | Câble périphérique 150 m (Réf. 4088-20) |
| 7 | 4087-00.701.00 | Ersatzmesser (9 St.) (Art. 4087-20) | Blades (9 pcs.) (Art. 4087-20) | Lame (9 pcs.) (Réf. 4087-20) |
| 10 | 4089-00.701.00 | 6 Verbinder + 3 Anschlussklemmen (Art. 4089-20) | 6 Couplers + 3 Connectors (Art. 4089-20) | 6 Connecteurs+ 3 Raccords de câble (Réf. 4089-20) |
| 11 | 58-62.779.02 | Klebemarker-set Kabel (10 Stück) | Sticker, Cable markers (10 pcs.) | Étiquette adhésive (10 pcs.) |
| 12 | 50-24.053.01 | Anti-Diebstahlaufkleber | Label, anti-theft | Étiquette adhésive anti-vol |
| 13 | 4059-00.701.00 | Rep. Set für Begrenzungskabel (Art. 4059-20) | Repair set for Loop wire (Art. 4059-20) | Kit de réparation pour Câble périphérique (Réf. 4059-20) |
| 17 | 99999-00.002.00 | Servicekarton Mähroboter (Farbe braun) | Service carton Robotic (Color brown) | Service carton Robotic (Couleur marron) |
| | | Nur die aufgeführten Teile sind lieferbar! | Only the mentioned spare parts are available! | Seules les pièces indiquées sont disponibles! |



KEES VAN DER SPEK
TUIN EN PARKMACHINES • TER AAR



| Bild Nr. Picture No. | Ersatzteil-Nr. Spare Part No. | Bezeichnung | Description | Désignation |
|-------------------------|----------------------------------|--|--|---|
| Art. 15001 G | | Mähroboter SILENO city | Robotic Lawnmower SILENO city | Tondeuse robot SILENO city |
| Art. 15002 G | | Mähroboter SILENO city | Robotic Lawnmower SILENO city | Tondeuse robot SILENO city |
| Art. 15010 G | | Mähroboter SILENO city | Robotic Lawnmower SILENO city | Tondeuse robot SILENO city |
| Art. 19066 G | | Mähroboter smart SILENO city | Robotic Lawnmower smart SILENO city | Tondeuse robot smart SILENO city |
| Art. 19069 G | | Mähroboter smart SILENO city | Robotic Lawnmower smart SILENO city | Tondeuse robot smart SILENO city |
| Art. 19603 G | | Mähroboter smart SILENO city | Robotic Lawnmower smart SILENO city | Tondeuse robot smart SILENO city |
| 6 | 19000-00.600.36 | Gateway Netzteil, universal (für Gateway 19000) | Gateway power unit, universal (for Gateway 19000) | Gateway transformateur, universel (pour Gateway 19000) |
| 6 | 19000-00.600.37 | Gateway Netzteil, universal (für Gateway 19005) | Gateway power unit, universal (for Gateway 19005) | Gateway transformateur, universel (pour Gateway 19005) |
| 6 | 19000-28.600.01 | Gateway Netzteil UK | Gateway power unit UK | Gateway transformateur UK |
| 7 | 19005-00.600.00 | Gateway ohne Zubehör/ohne Netzteil | Gateway without accessories/ without power unit | Gateway sans accessoires/ sans transformateur |
| 8 | 19000-00.600.51 | LAN Kabel | LAN Cable | LAN Cable |
| 10 | 59-33.737.01 | Ersatz Radbürsten Set (4 St.) | Wheel brush kit (4 pcs.) | Kit brosse de roue de rechange (4 pcs.) |
| 26 | 59-87.642.01 | Demontage Werkzeug | Disassembly tool | Outil de démontage |
| 30 | 57-75.181.02 | USB Kabel | USB service cable, G3 mowers | USB Cable |
| | 4067-20.990.01 | Reinigungsspray | Cleaning spray | Pulvérisation de nettoyage |
| | 15001-00.900.01 | SILENO city Klebefolie Marienkäfer | SILENO city Decal kit Ladybug | Autocollant SILENO city Coccinelle |
| | 15001-00.900.02 | SILENO city Klebefolie Regenbogenfisch | SILENO city Decal kit Rainbowfish | Autocollant SILENO city Poisson arc-en-ciel |
| | 15001-00.900.03 | SILENO city Klebefolie Hawaii | SILENO city Decal kit Hawaii | Autocollant SILENO city Hawaii |
| | 15001-00.900.04 | SILENO city Klebefolie Zebra | SILENO city Decal kit Zebra | Autocollant SILENO city Zèbre |
| | 15001-00.900.05 | SILENO city Klebefolie Pflanze | SILENO city Decal kit Plant | Autocollant SILENO city Plante |
| | | Nur die aufgeführten Teile sind lieferbar! | Only the mentioned spare parts are available! | Seules les pièces indiquées sont disponibles! |