

CATALOGUS MET RESERVEONDERDELEN
: ACCU-WANDSLANGBOX POWERROLL XL, GEBRUIJKSLARE
SET, 35 M SLANG, TURKOOIS



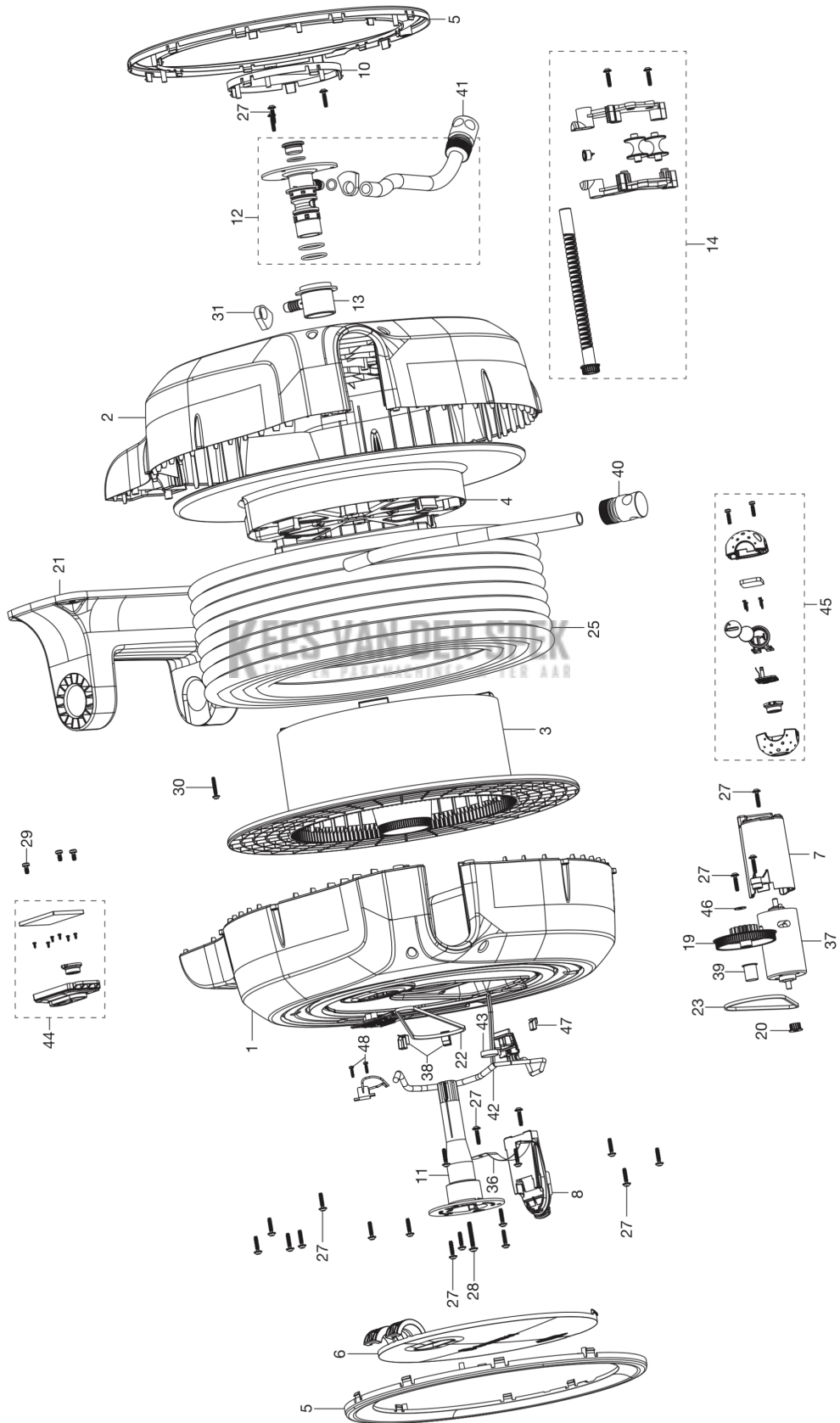
Lijst van reserve-onderdelen

LIJST VAN RESERVE-ONDERDELEN



Akku-Wand-Schlauchbox PowerRoll XL
Akku-Wand-Schlauchbox PowerRoll XXL

Art.-Nr. 18640/18642
Art.-Nr. 18645/18647



REF.	OMSCHRIJVING	OPMERKING	KIT
0	536249101 TROLLEY	18620-20.702.00, not shown in image	1
0	599993201 OPLADER	14900-00.600.00, AL 1810 CV P4A (Art. 14900-20), not shown in image	1
0	599992001 ACCU	14902-00.600.00, PBA 18V/36 P4A (Art. 14902-20), not shown in image	1
0	599992101 ACCU	14903-00.600.00, PBA 18V/45 P4A (Art. 14903-20), not shown in image	1
0	599992201 ACCU	14905-00.600.00, PBA 18V/72 P4A (Art. 14905-20), not shown in image	1
1	547698701 HUIS	18640-00.650.00	1
2	547699801 HUIS	18640-00.600.01	1
3	547698801 TROMMEL	18640-00.660.00	1
5	547700001 RING	18640-00.600.26	1
6	547699901 DEKSEL	18640-00.600.21	1
7	547700101 BEVESTIGING	18640-00.600.31	1
8	547700201 BEVESTIGING	18640-00.600.36	1
10	529888501 DEKSEL	18620-00.600.06	1
11	547705501 AS	18620-00.600.21	1
12	529888601 SLANG COMPL.	18620-00.610.00	1
14	547699701 GELEIDER	18620-00.630.00	1
19	547700301 POELIE	18640-00.600.41	1
21	547707901 WALL BRACKET	18620-00.600.12	1
22	547702601 RIEM	18640-00.600.61	1
23	547702701 RIEM	18640-00.600.62	1
25	547699601 SLANG	18620-00.620.00	1
30	529888801 SCREW	18620-00.600.17	1
31	547706001 KLEM	18620-00.600.31	1
36	547702801 VEER	18640-00.600.64	1
37	547698401 MOTOR	18640-00.620.00	1
38	547703401 KLEM	18640-00.600.70	1
42	547698501 KABEL COMPL.	18640-00.630.00	1
43	547702901 STEUNRING	18640-00.600.67	1
44	547698601 PRINTPLAAT COMPL.	18640-00.640.00	1
45	547698301 REMOTE CONTROL	18640-00.610.00	1
47	547703501 KLEM	18640-00.600.71	1

KIPAN DER SPEK
 KIPAN DER SPEK
 KIPAN DER SPEK