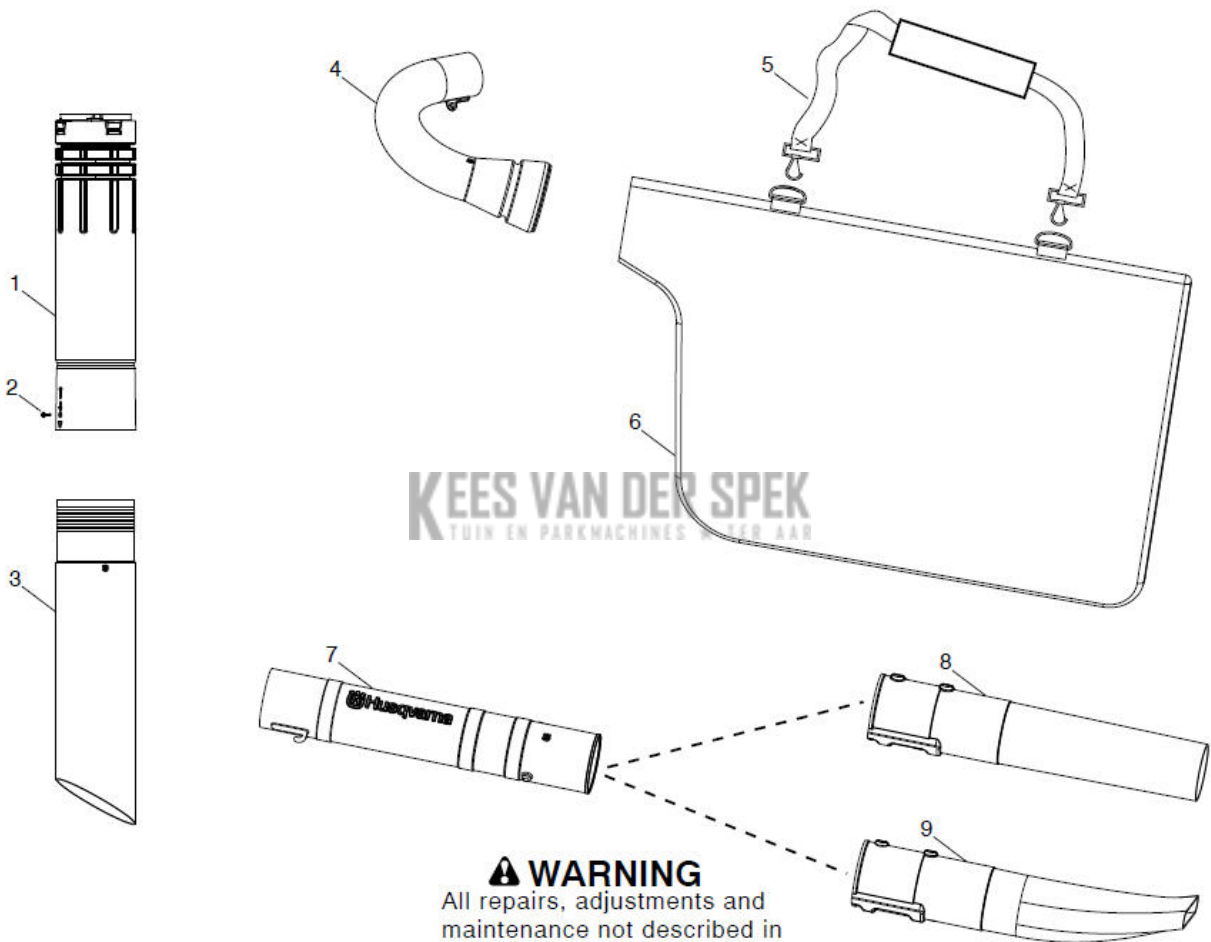




SPARE PARTS LIST

BLOWERS

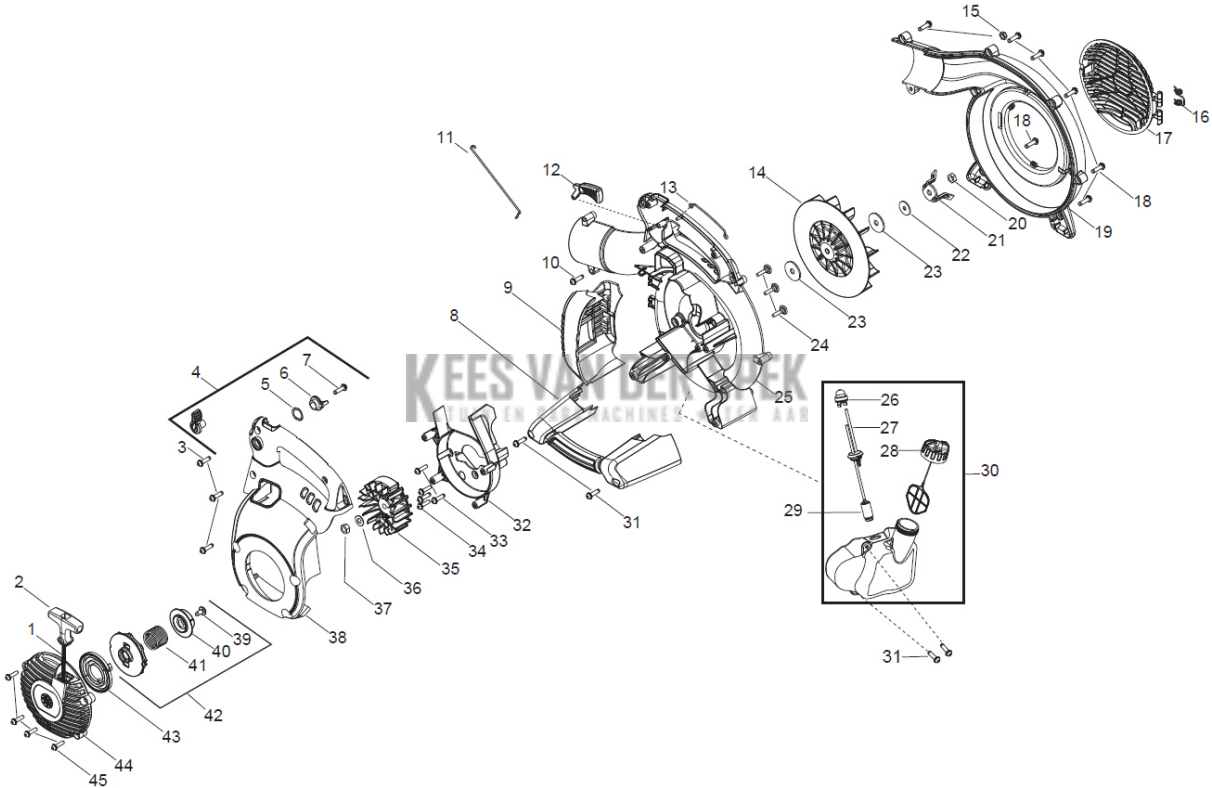
125 BVX, 952711902, 2017-03



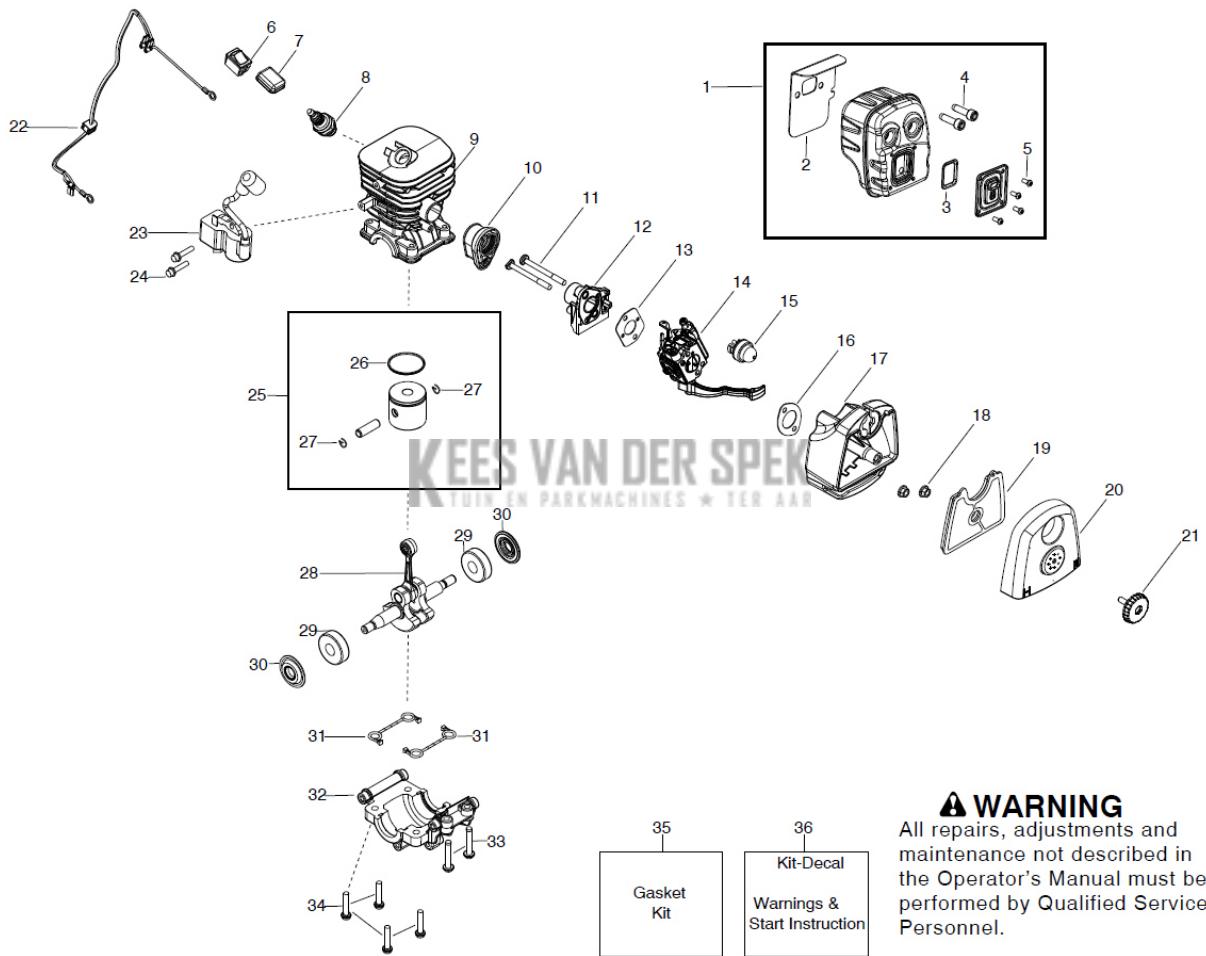
⚠ WARNING

All repairs, adjustments and maintenance not described in the Operator's Manual must be performed by Qualified Service Personnel.

| Referentie | Onderdeel nr | Omschrijving | Opmerking | Aant KIT al |
|------------|--------------|----------------------|--------------------------------------|-------------|
| 1 | 545 13 12-01 | ASSY, UPPER VAC TUBE | Assy - Upper vac tube with adapter | 1 |
| 2 | 545 14 41-01 | SCREW | Screw | 1 |
| 3 | 545 11 96-01 | PIJP | Tube - Lower vac | 1 |
| 4 | 575 47 88-01 | PIJP | Elbow - Vac | 1 |
| 5 | 545 13 29-03 | STRAP SHOULDER | Strap - Carrying | 1 |
| 6 | 545 11 98-01 | TAS | Assy - Vac bag | 1 |
| 7 | 590 56 92-01 | PIJP | Assy - Tube - upper blower w/barrier | 1 |
| 8 | 545 11 80-01 | PIJP | Tube - Lower blower (round) | 1 |
| 9 | 545 11 95-01 | MONDSTUK | Tube - Lower blower (flare) | 1 |



| Referentie | Onderdeel nr | Omschrijving | Opmerking | Aant KIT al |
|------------|--------------|--------------------------|-------------------------------|--------------|
| 1 | 545 08 18-17 | KIT | Kit - Rope | 1 |
| 2 | 545 04 32-04 | STARHANDVAT | Handle - Starter | 1 |
| 3 | 530 01 58-14 | SCREW | Screw | 1 |
| 4 | 545 08 18-22 | KIT | Kit - Cruise control | 1 "5,6,7" |
| 5 | 530 01 51-47 | RING | Washer - Wave | 1 |
| 6 | 545 11 15-01 | RATCHET CRUISE CONTROL | Ratchet - Cruise control | 1 |
| 7 | 530 01 58-14 | SCREW | Screw | 1 |
| 8 | 545 11 90-02 | HANDLE - ASSIST | Handle - Assist | 1 |
| 9 | 545 15 79-01 | ASSY, MUFFLER GUARD | Assy. - Muffler guard | 1 |
| 10 | 545 00 35-02 | SCREW | Bolt - Tube clamp | 1 |
| 11 | 545 11 13-01 | KABEL | Wire - Linkage | 1 |
| 12 | 545 11 16-01 | TRIGGER, THROTTLE | Trigger - Throttle | 1 |
| 13 | 545 13 17-01 | KABEL | Wire - Handle ground | 1 |
| 14 | ***** | SEE SERVICE REFERENCE | Impeller | 1 |
| 15 | 530 01 51-97 | MOER | Nut - Blower tube | 1 |
| 16 | 545 11 11-01 | VEER | Spring - Vac door | 1 |
| 17 | 545 11 12-01 | DEKSEL | Cover - Vac door | 1 |
| 18 | 530 01 58-14 | SCREW | Screw | 1 |
| 19 | 575 53 32-01 | ASSEMBLY | Assy - Outer scroll | 1 "16,17" |
| 20 | 545 14 71-01 | MOER | Nut - Impeller | 1 |
| 21 | ***** | SEE SERVICE REFERENCE | Blade - Mulch | 1 |
| 22 | ***** | SEE SERVICE REFERENCE | Washer - Flywheel | 1 |
| 23 | 545 16 45-01 | RING | Washer - Impeller | 1 |
| 24 | 530 01 64-45 | SCREW FUEL TANK RETAINER | Screw | 1 |
| 25 | 545 11 00-01 | SCROLLEN | Scroll - Inner | 1 |
| 26 | 530 04 77-21 | PURGE | Bulb - Purge | 1 |
| 27 | ***** | SEE SERVICE REFERENCE | Fuel line | 1 |
| 28 | ***** | SEE SERVICE REFERENCE | Assy - Fuel cap with retainer | 1 |
| 29 | 530 09 56-46 | FILTER | Assy - Fuel pickup | 1 |
| 30 | ***** | SEE SERVICE REFERENCE | Assy - Fuel tank | 1 "26,27,28" |
| 31 | 530 01 58-14 | SCREW | Screw | 1 |
| 32 | ***** | SEE SERVICE REFERENCE | Scroll - Flywheel | 1 |
| 33 | 530 01 58-14 | SCREW | Screw | 1 |
| 34 | 530 01 64-45 | SCREW FUEL TANK RETAINER | Screw | 1 |
| 35 | 576 42 33-01 | VLIEGWIEL | Assy - Flywheel | 1 |
| 36 | 530 01 58-28 | RING | Washer | 1 |
| 37 | 530 01 61-34 | MOER | Nut - Flywheel | 1 |
| 38 | 545 10 88-01 | DEKSEL | Cover - Motor housing | 1 |
| 39 | 545 11 28-01 | SCREW | Screw | 1 |
| 40 | 545 08 90-01 | NAAF | Hub | 1 |
| 41 | 545 11 59-01 | VEER | Spring - EPS2 | 1 |
| 42 | 545 00 60-84 | KIT | Kit - Starter | 1 "39,40,41" |
| 43 | 530 04 20-95 | VEER | Spring - Starter | 1 |
| 44 | 545 11 18-01 | HOUSING - STARTER COVER | Housing - Starter Cover | 1 |
| 45 | 530 01 63-86 | SCREW | Screw | 1 |



⚠ WARNING

All repairs, adjustments and maintenance not described in the Operator's Manual must be performed by Qualified Service Personnel.

MOTOR

125 BVX, 952711902, 2017-03

| Referentie | Onderdeel nr | Omschrijving | Opmerking | Aant KIT al |
|------------|--------------|------------------------|--|-----------------------|
| 1 | 580 50 27-01 | GELUIDDEMPER | Assy - Muffler | 1 "2,3,4,5" |
| 2 | 545 08 18-13 | PAKKING | Gasket - Muffler (kit) | 1 "2,13,16, 31,35" |
| 3 | 545 08 18-10 | KIT | Kit - Spark Screen (Incl. 5) | 1 |
| 4 | 530 05 89-82 | BOUT | Bolt - Muffler | 1 |
| 5 | 530 01 52-41 | SCREW | Screw | 1 |
| 6 | 545 04 93-11 | SCHAKELAAR | Switch | 1 |
| 7 | 545 12 82-01 | PROTECTOR, SWITCH | Protector - Switch | 1 |
| 8 | 952 03 02-49 | BOUGIE | Accy - Spark Plug (RCJ6-Y) | 1 |
| 9 | ***** | SEE SERVICE REFERENCE | Cylinder - Chrome | 1 |
| 10 | 545 13 25-01 | BOOT, CARB | Boot - Carb. | 1 |
| 11 | 530 01 61-87 | SCREW | Screw | 1 |
| 12 | 545 13 33-01 | PLAAT | Plate - Carb. | 1 |
| 13 | 545 08 18-13 | PAKKING | Gasket - Carb. (kit) | 1 "2,13,16, 31,35" |
| 14 | 545 08 18-11 | KIT | Kit - Carb. (Zama W37) | 1 "13,16" |
| 15 | 530 04 77-21 | PURGE | Bulb - Purge (Included with #30 on page 1) | 1 |
| 16 | 545 08 18-13 | PAKKING | Gasket - Airbox (kit) | 1 "2,13,16, 31,35" |
| 17 | 545 10 98-01 | BASE, AIRBOX | Base - Airbox | 1 |
| 18 | 530 01 61-01 | MOER | Nut - Carb screw | 1 |
| 19 | 545 11 21-01 | LUCHTFILTER | Filter - Air | 1 |
| 20 | 545 10 96-01 | DEKSEL | Cover - Airbox | 1 |
| 21 | 530 05 97-96 | KNOB ASSY AIRBOX COVER | Assy - Airbox Knob | 1 |
| 22 | 545 10 82-02 | ASSY, LEADWIRE | Assy - Leadwire | 1 |
| 23 | 585 83 61-01 | MODULE | Module - Ignition | 1 |
| 24 | 530 01 64-56 | SCREW | Screw | 1 |
| 25 | 545 08 18-14 | KIT | Kit - Piston | 1 "26,27" |
| 26 | 575 22 79-01 | RING | Ring - Piston | 1 |
| 27 | 530 01 51-62 | BORGCLIP | Retainer - Piston pin | 1 |
| 28 | ***** | SEE SERVICE REFERENCE | Kit - Crankshaft | 1 |
| 29 | 545 01 34-01 | LAGER | Bearing | 1 |
| 30 | 545 08 18-15 | KIT | Kit - Crankshaft seal | 1 |
| 31 | 545 08 18-13 | PAKKING | Seal - Cylinder (kit) | 1 "2,13,16, 31,35" |
| 32 | 545 06 83-01 | LAGER KAP | Cap - Bearing | 1 |
| 33 | 530 01 59-40 | SCREW | Screw | 1 |
| 34 | 530 01 58-97 | SCREW | Screw | 1 |
| 35 | 545 08 18-13 | PAKKING | Kit - Gasket | 1 "2,13,16, 31,35" |
| 36 | 545 08 18-60 | KIT DECAL | Kit - Decal | 1 |