

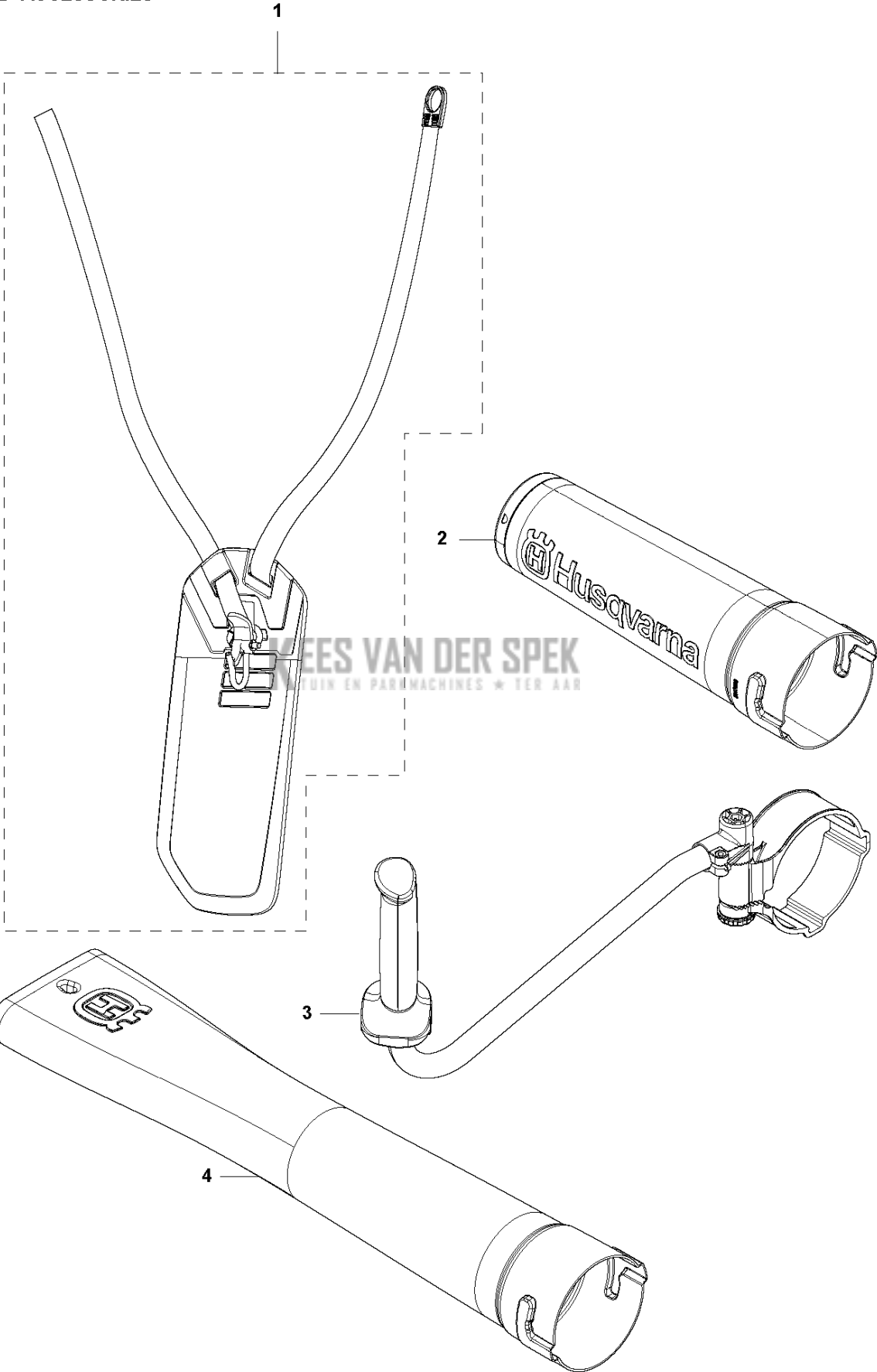


SPARE PARTS LIST

BLOWERS

Kees van der Spek
536LIBX

E 536LiBX
ACCESSORIES

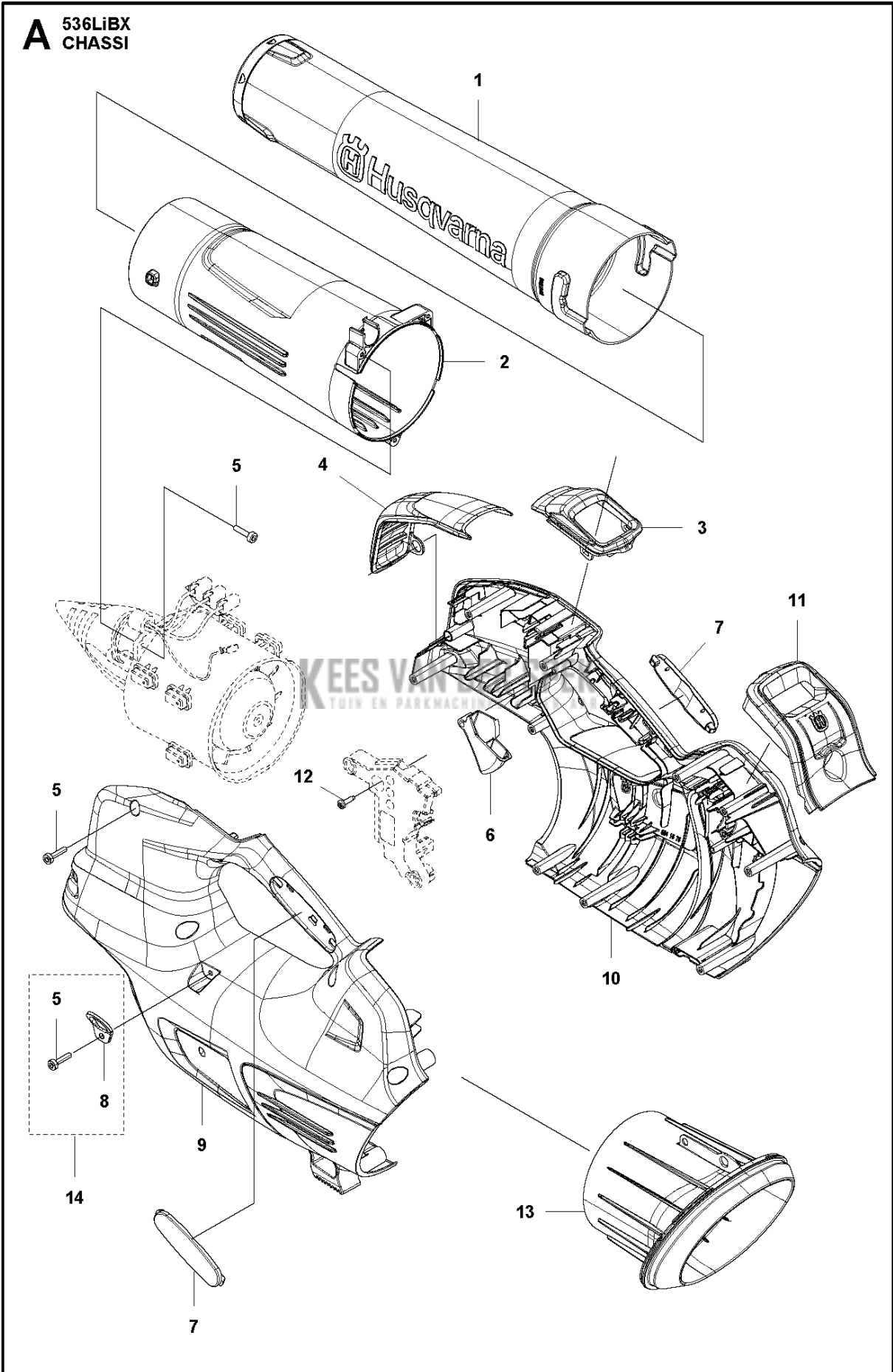


ACCESSORIES

536LiBX

Ref	Part No	Description	Remark	QTY KIT
1	587 83 40-01	HIP PAD		1
2	586 10 63-01	TUBE ASSY		1
3	501 71 51-01	HANDLE ASSY		1
4	579 79 75-01	NOZZLE		1

KEES VAN DER SPEK
TUIN EN PARKMACHINES ★ TER AAR



CHASSIS

536LiBX

Ref	Part No	Description	Remark	QTY	KIT
1	586 10 63-02	TUBE ASSY		1	
2	584 15 66-01	TUBE		1	
3	584 21 37-01	FRAME		1	
4	584 91 47-01	COVER		1	
5	579 21 19-01	SCREW IHSCT		13	
6	579 56 41-02	THROTTLE CONTROL		1	
7	544 04 20-03	HANDLE INSERT		2	
8	586 51 42-01	EYELET		1	
9	584 15 76-01	HOUSING		1	
10	584 15 75-01	HOUSING		1	
11	587 20 30-01	COVER		1	15
12	503 21 28-13	SCREW CCRPANT		1	
13	587 98 51-01	INLET		1	
14	588 00 97-01	KIT		1	

B 536LiBX
DECALS

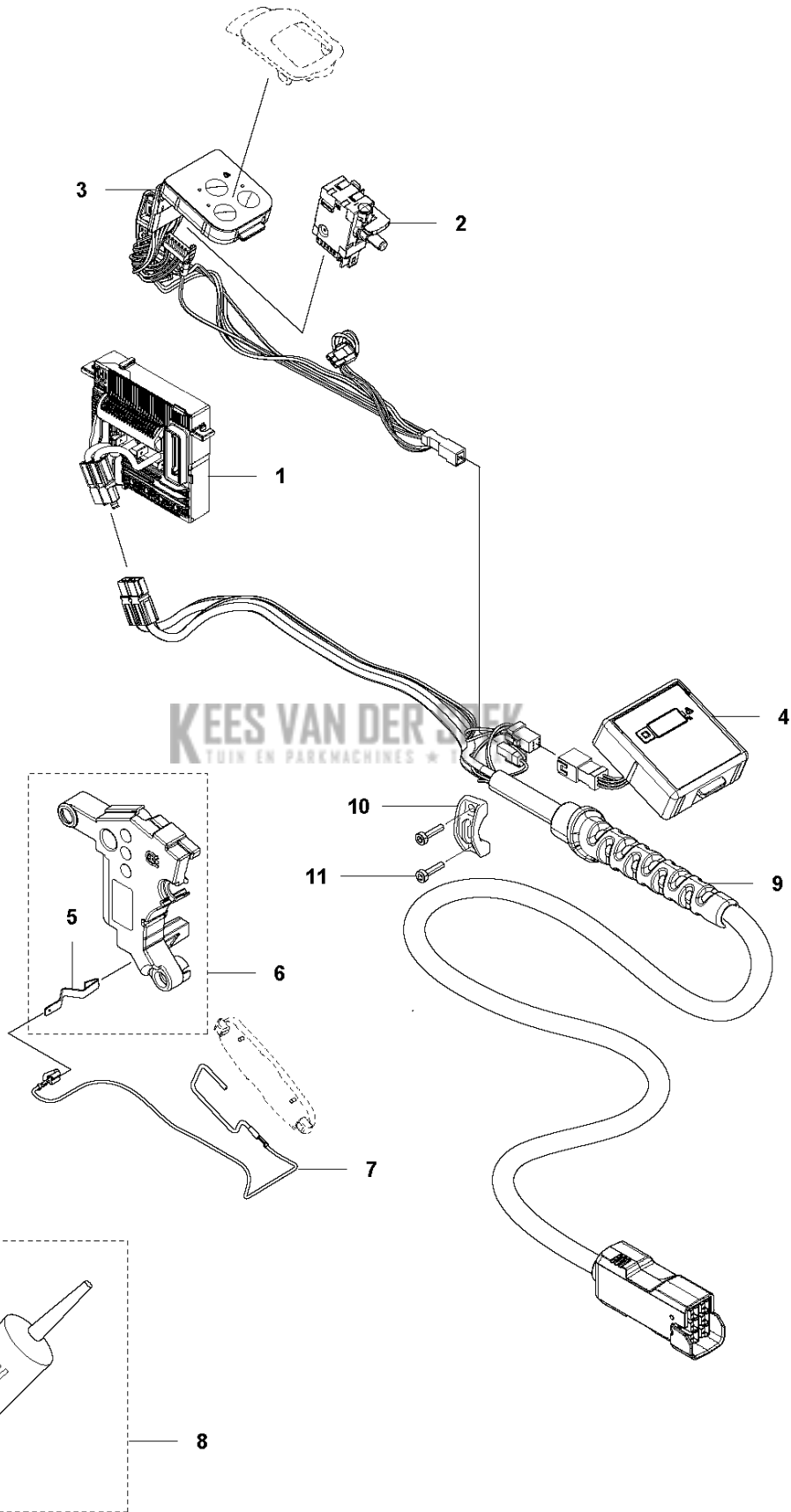


DECALS

536LiBX

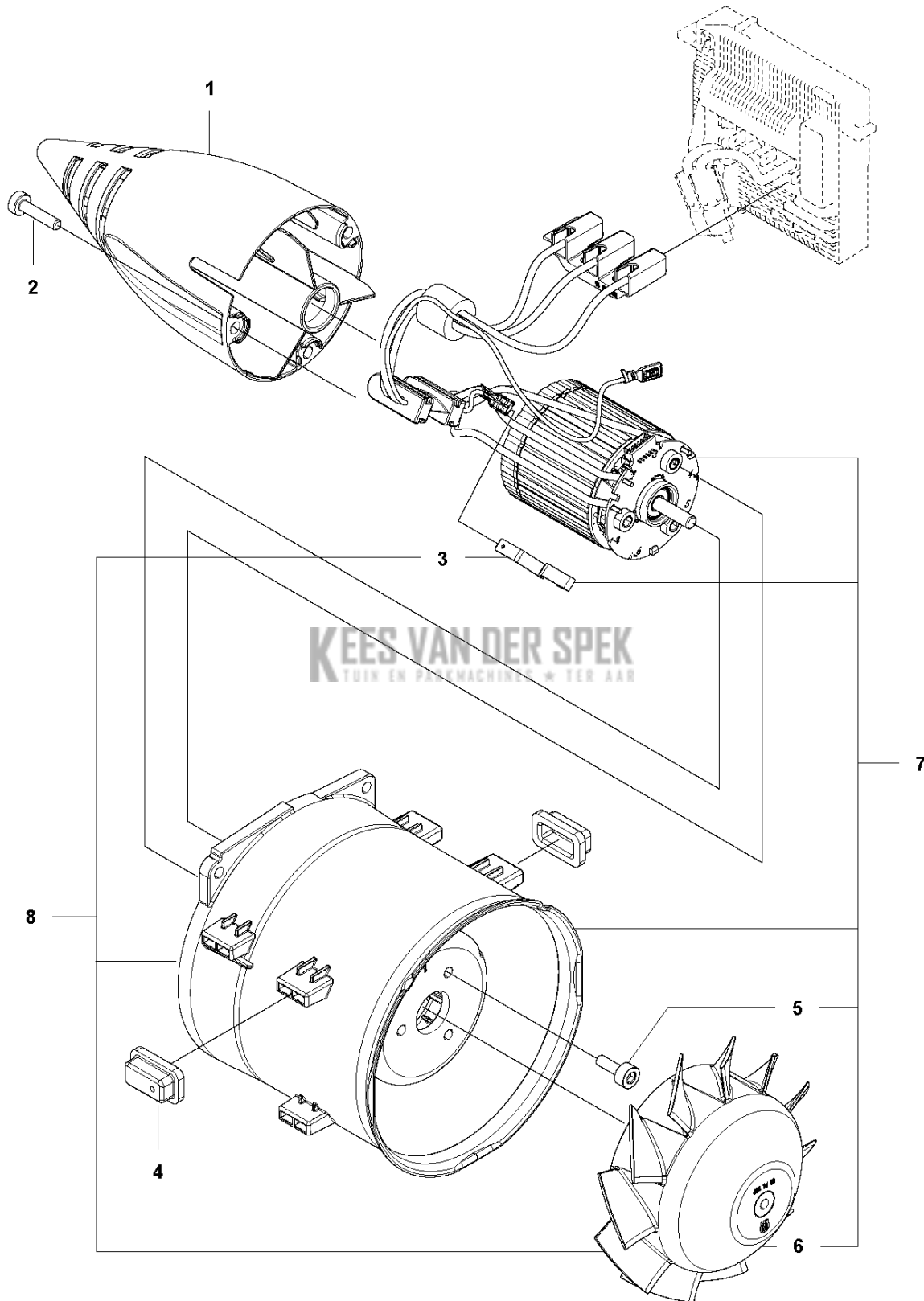
Ref	Part No	Description	Remark	QTY KIT
1	588 22 66-01	DECAL	DECAL LEFT	1
2	588 22 67-01	DECAL	DECAL RIGHT	1
3	577 84 43-01	DECAL		1

C 536LiBX
ELECTRIC SYSTEM



Ref	Part No	Description	Remark	QTY KIT
1	587 94 86-01	CONTROL UNIT		1
2	578 32 69-01	TRIGGER SWITCH		1
3	588 07 37-01	WIRING ASSY		1
4	587 97 82-01	DISPLAY		1
5	586 49 22-01	SPRING		2
6	588 00 98-01	KIT		1
7	586 96 39-01	WIRING ASSY		1
8	588 17 64-01	GREASE		1
9	587 91 73-01	WIRING ASSY		1
10	581 47 23-01	CABLE CLAMP		1
11	579 21 19-01	SCREW IHST		2

D 536LiBX
FAN SYSTEM



Ref	Part No	Description	Remark	QTY	KIT
1	584 15 65-01	CONE		1	
2	579 21 19-01	SCREW IH SCT		3	
3	586 49 22-01	SPRING		1	7,8
4	503 91 10-01	SUSPENSION		6	
5	503 20 25-12	SCREW IH SCM		3	7
6	584 15 60-01	ROTOR		1	7,8
7	588 00 99-01	MOTOR ASSY		1	
8	588 01 00-01	KIT		1	