

HUSQVARNA - SPARE PARTS CATALOG
POWER CUTTERS: HUSQVARNA K 535I

KEES VAN DER SPEK
TUIN EN PARKMACHINES * TER AAR

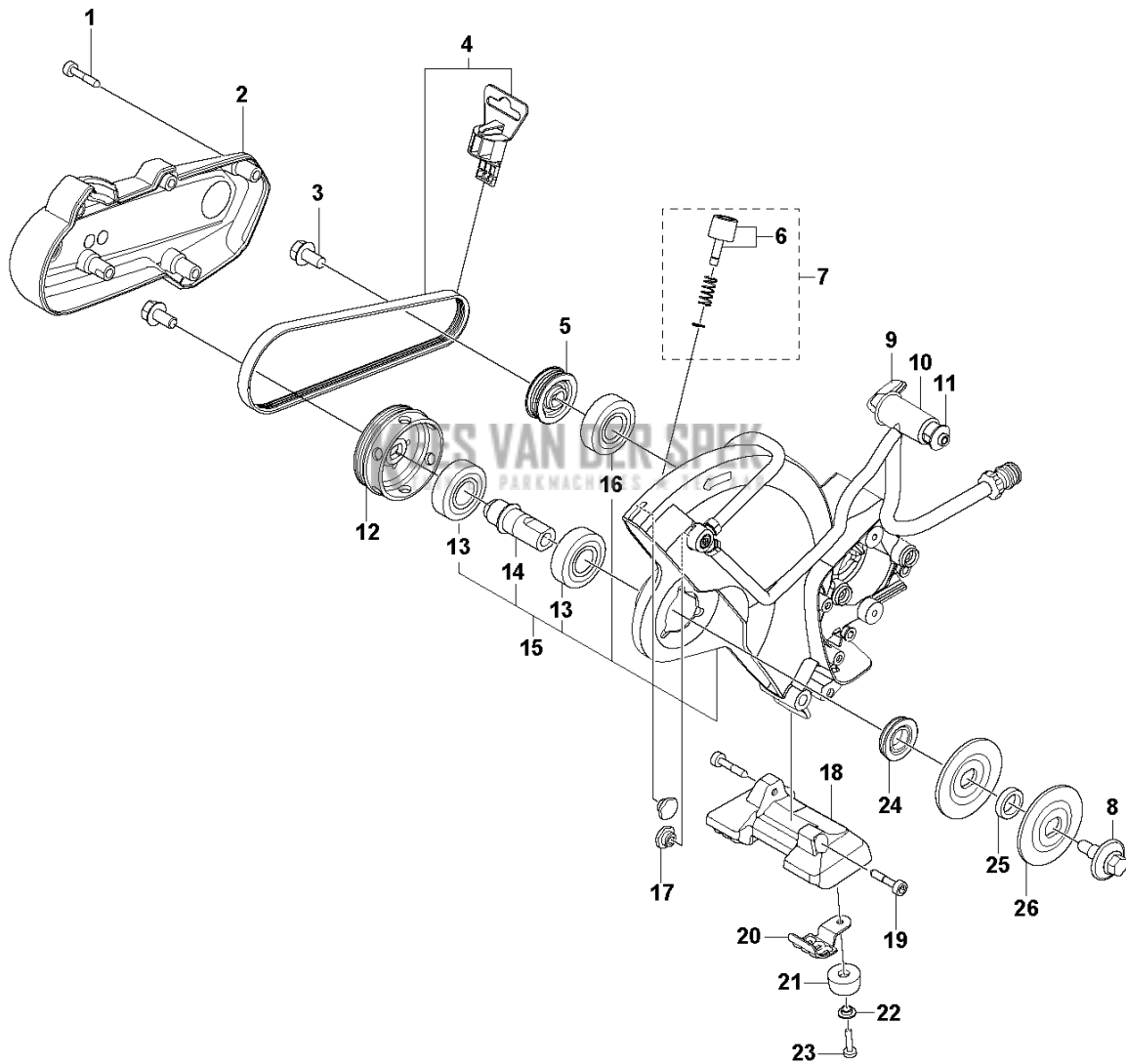
Sparepartslist

SPAREPARTSLIST

POWER CUTTERS

HUSQVARNA K 535I

B K 535i
BLADE GUARD

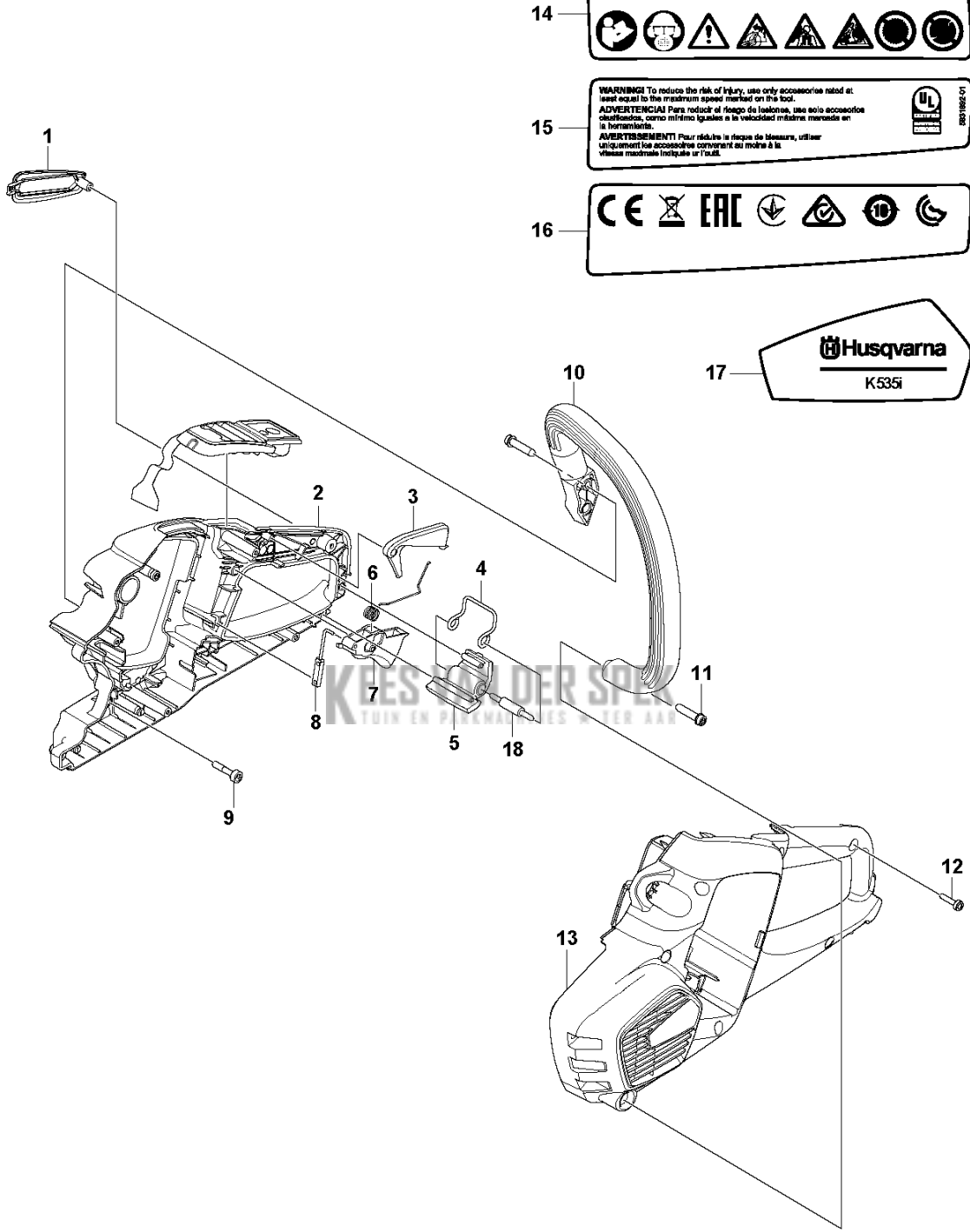


POWER CUTTERS

PXM_REF	PXM_PARTNO	DESCRIPTION	PXM_REMARK	QTY
1	503215326	SCHROEF ITXSCM		5
2	590888401	RIEMBESCHERMING		1
3	503200045	SCHROEF EHHFM		2
4	590885401	RIEM		1
5	593161001	POELIE		1
6	596591401	BORGKNOP		1
7	596591501	BORGKNOP		1
8	590503801	SCREW		1
9	597415901	VENTIEL COMPL.		1
10	591146301	VENTIEL COMPL.	Including hoses	1
11	586443101	SCREW ITXSCFT		1
12	593161101	POELIE		1
13	583953301	KOGELLAGER		2
14	590884601	AS		1
15	596591701	SLUPARM		1
16	738220119	KOGELLAGER		1
17	576798401	NIPPEL		2
18	590888501	GRONDSTEUN		1
19	503215325	SCHROEF ITXSCM		2
20	590888601	SLUITBESCHERMING		2
21	590488001	DEMPER		2
22	590488101	BUSHING		2
23	580292901	SCREW ITXSCT		2
24	590884701	FLENSSTEUN		1
25	591107701	BUSHING		1
26	590890301	FLENS		2

KEES VAN DER SPEK
 TUIN EN PARKMACHINES * TER AAR

A K 535i
CHASSIS



14

HUSQVARNA AB, 691 82 HUSKVARNA, SWEDEN
Husqvarna in Sweden, www.husqvarna.com

15

WARNING! To reduce the risk of injury, use only accessories rated at least equal to the maximum speed marked on the tool.
ADVERTENCIA! Para reducir el riesgo de lesiones, use solo accesorios clasificados como mínimo iguales a la velocidad máxima marcada en la herramienta.
AVVERTISSEMENT! Pour réduire le risque de blessure, utiliser uniquement les accessoires convenant au moins à la vitesse maximale indiquée sur l'outil.

16

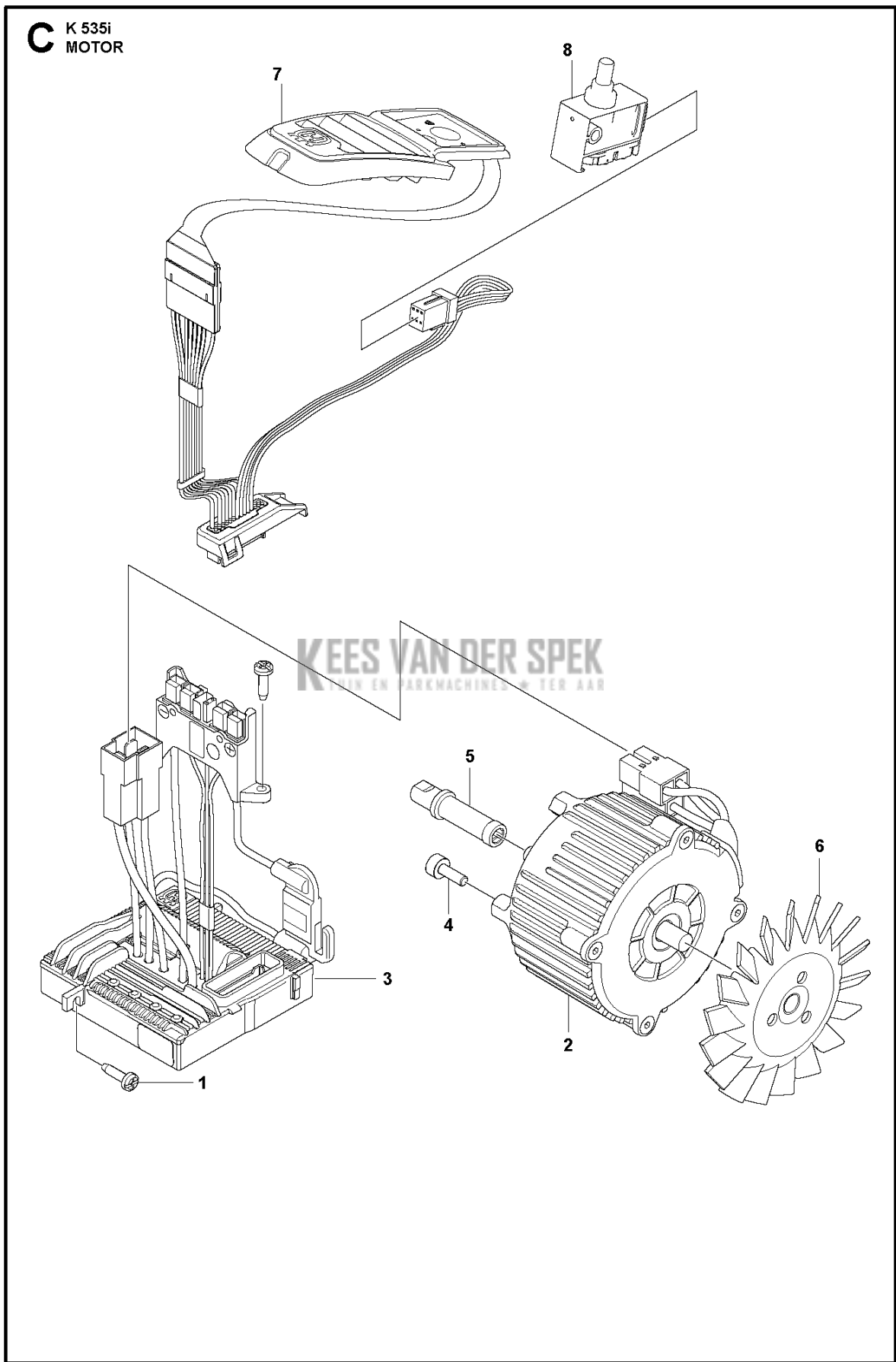


POWER CUTTERS

PXM_REF	PXM_PARTNO	DESCRIPTION	PXM_REMARK	QTY
1	577261901	HANDGREEPINZETSTUK		1
2	590888201	HANDGREEPHELFT		1
3	506495701	GASVERGREDELING		1
4	590910901	LUS		1
5	590888701	GRONDSTEUN		1
6	544099901	VEER		1
7	577312701	GASHEVEL		1
8	577855101	THROTTLE ROD ASSY		1
9	503215326	SCHROEF ITXSCM		3
10	577063501	VOORSTE BEUGEL		1
11	525798103	SCREW ITXSCFT		2
12	580292901	SCREW ITXSCT		6
13	590888301	HANDGREEPHELFT		1
14	593199301	STICKER		1
15	593199201	STICKER		1
16	593199202	STICKER		1
17	593732701	STICKER		1
18	596327101	PEN		1

KEES VAN DER SPEK
TUIN EN PARKMACHINES * TER AAR

C K 535i
MOTOR

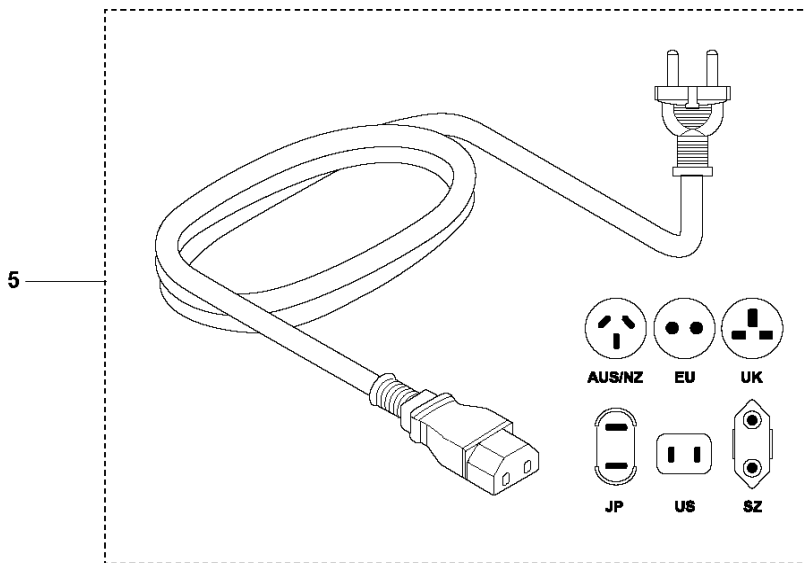
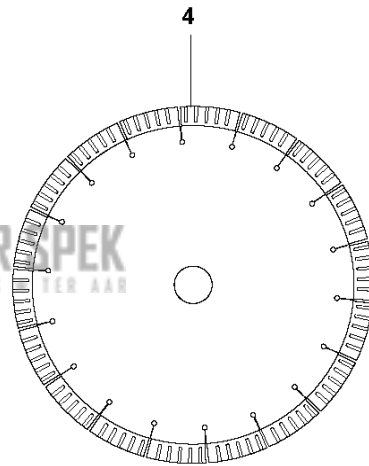
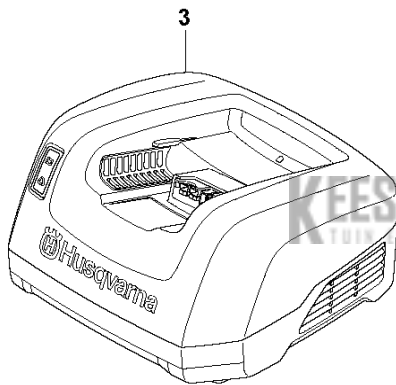
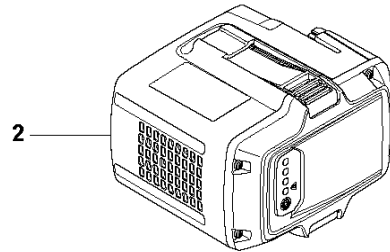
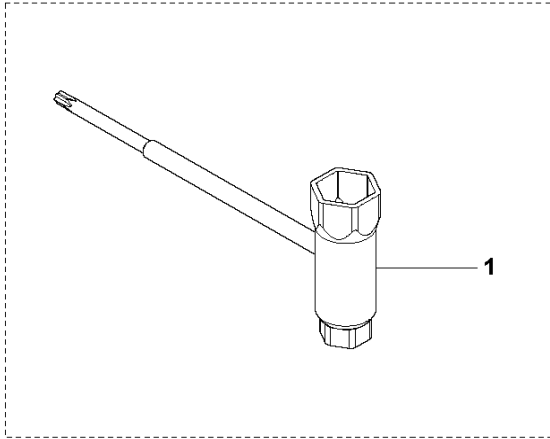


POWER CUTTERS

PXM_REF	PXM_PARTNO	DESCRIPTION	PXM_REMARK	QTY
1	578776103	SCHROEF ITXPANT		4
2	577315802	MOTOR COMPL		1
3	591115802	BESTURINGSEENHEID		1
4	526818101	SCHROEF ITXSCM		4
5	593086701	AS		1
6	581300901	VENTILATOR		1
7	592634201	BEKABELING COMPL		1
8	582050701	TREKSCHAKELAAR		1

KEES VAN DER SPEK
TUIN EN PARKMACHINES * TER AAR

X K 535i
ACCESSORIES



POWER CUTTERS

PXM_REF	PXM_PARTNO	DESCRIPTION	PXM_REMARK	QTY
1	506382601	GEREEDSCHAP		1
2	967964101	ACCU	Bli 200	1
2	967964102	ACCU	Bli 200 US/CA	1
2	967964301	ACCU	Bli 300	1
2	967964302	ACCU	Bli 300 I US/CA	1
3	967964901	ACCULADER	QC330 I EU	1
3	967964902	ACCULADER	QC330 I UK	1
3	967964903	ACCULADER	QC330 I US	1
3	967964904	ACCULADER	QC330 I JP	1
3	967964905	ACCULADER	QC330 I AU/NZ	1
3	967964906	ACCULADER	QC330 I SZ	1
3	967964907	ACCULADER	QC330 I BR	1
3	967965001	ACCULADER	QC500 I EU	1
3	967965002	ACCULADER	QC500 I UK	1
3	967965003	ACCULADER	QC500 I US	1
3	967965004	ACCULADER	QC500 I JP	1
3	967965005	ACCULADER	QC500 I AU/NZ	1
3	967965006	ACCULADER	QC500 I SZ	1
4	596826601	DIAMANT SCHIJF	ELITE-CUT	1
4	596520301	DIAMANT SCHIJF	TACTI-CUT	1
4	574853801	DIAMANT SCHIJF	VARI-CUT	1
4	596826701	GEBONDENSCHIJF	ABRASIVE DISC METAL	1
5	578081901	HOOFDKABEL	QC330/QC500-CORD 330W/500W, 220V-EU	1
5	579130601	HOOFDKABEL	QC330/QC500-CORD 330W/500W, 220V-UK	1
5	579130401	HOOFDKABEL	QC330/QC500-CORD 330W/500W-US	1
5	581294901	HOOFDKABEL	QC330/QC500-CORD 330W/500W-JP	1
5	581295001	HOOFDKABEL	QC330/QC500-CORD 330W/500W-AU/NZ	1
5	582639701	BEKABELING COMPL.	QC330/QC500-CORD 330W/500W-SZ	1

KEES VAN DER SPEK
TUIN EN PARKMACHINES * TER AAR