



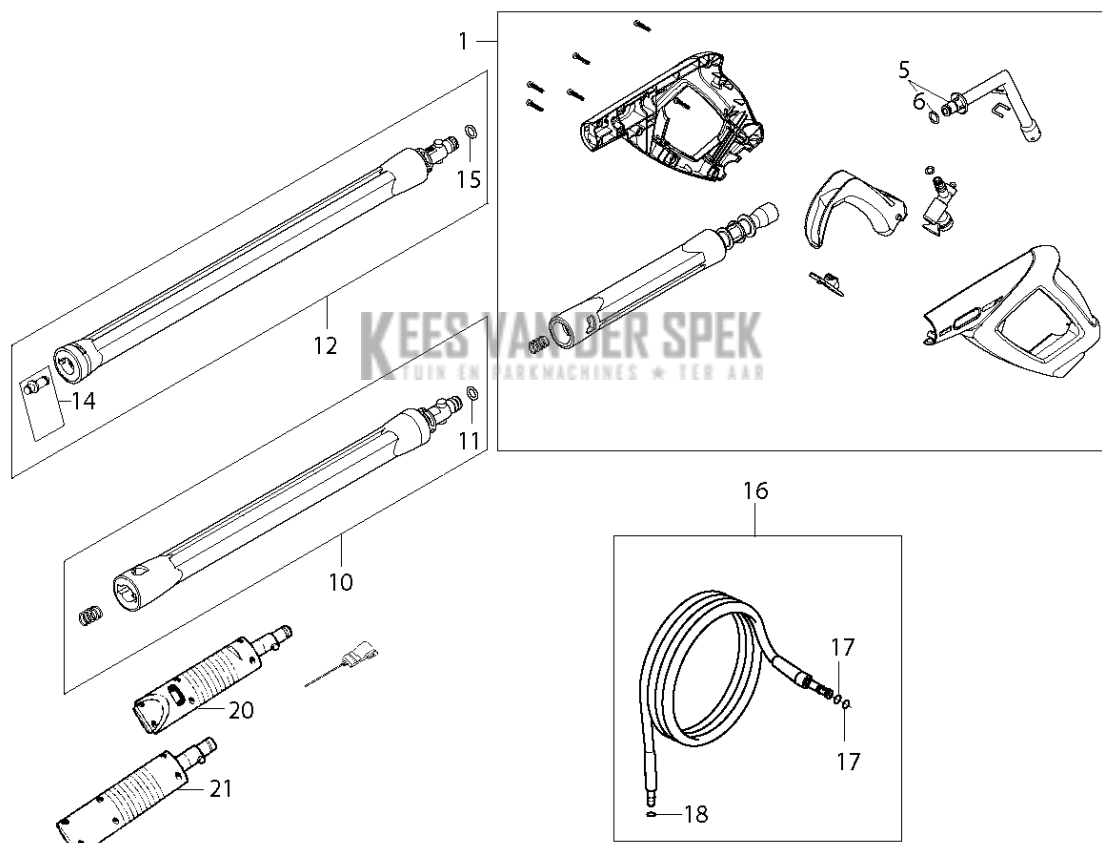
SPARE PARTS LIST

PRESSURE WASHERS

PW 460, 2017-10

ACCESSORIES
PW 460

2017.04.21
2017.08.02



ACCESSORIES

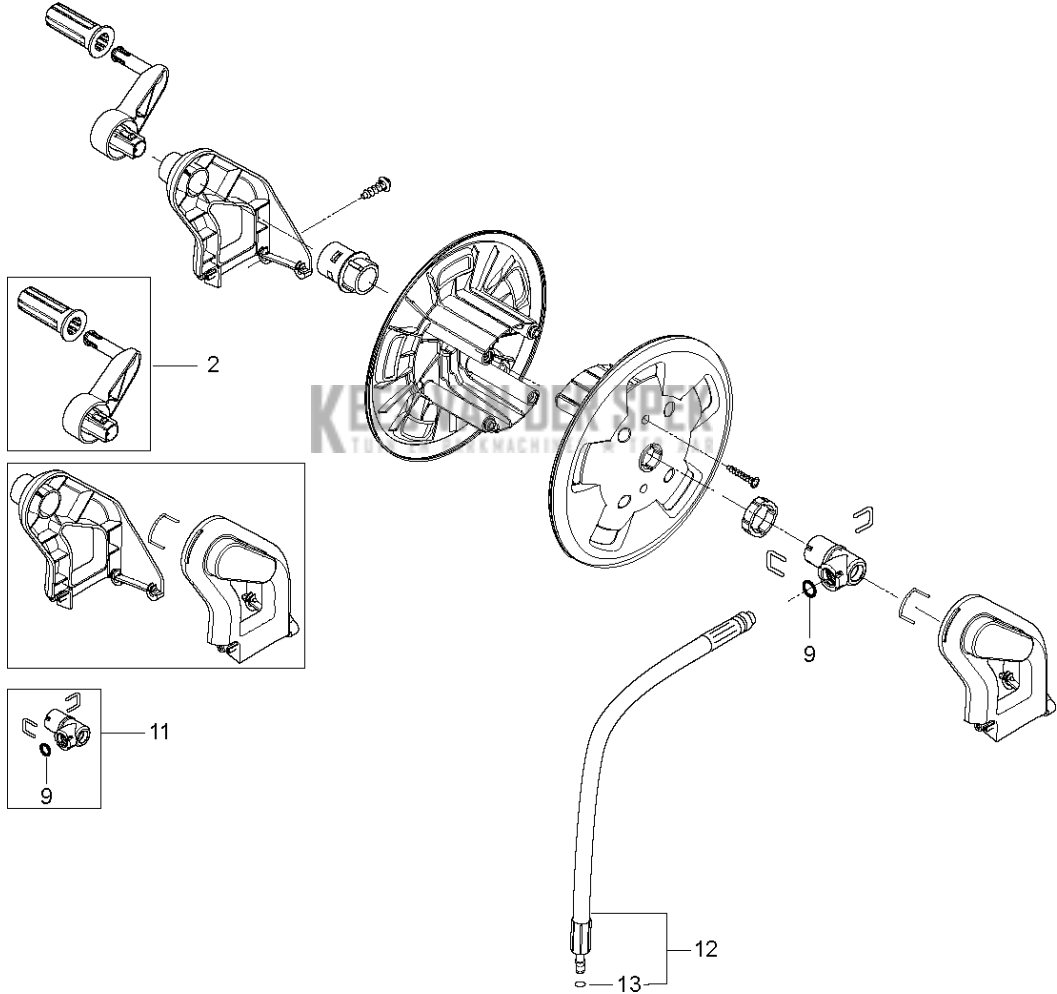
PW 460, 2017-10

Ref	Part No	Description	Remark	QTY KIT
1	592 61 76-36	GUN	G5 GUN DARK GREY	1
5	592 61 76-87	TUBE	PRESSURE TUBE W. O-RING	1
6	740 48 11-02	O-RING	O-RING diam. 10.82X1.78	1
10	592 61 76-37	TUBE	G5 NOZZLE TUBE	1
11	740 43 07-00	O-RING	O-RING 9.3X2.4 NITRIL 90 SH	1
12	592 61 76-34	TUBE	G4 NOZZLE TUBE 55MM DARK GREY	1
14	592 61 76-57	NOZZLE	LOW PRESSURE NOZZLE W.O-RINGS	1
15	592 61 76-73	O-RING	O-RING 9.0X2.6 SH90 NBR	1
16	592 61 76-01	HOSE	15M SUPERFLEX HOSE	1
17	592 61 76-69	O-RING	O-RING 10X2 ULTRATHIN 2	2
18	740 42 03-00	O-RING	O-RING 5.1X1.6 VITON SH 90	1
20	592 61 77-07	NOZZLE	TORNADO PR	1
21	592 61 76-82	NOZZLE	POWER SPEED	1

KEES VAN DER SPEK
TUIN EN PARKMACHINES * TER AAR

HOSE REEL
PW 460

2015.02.11
2017.08.02



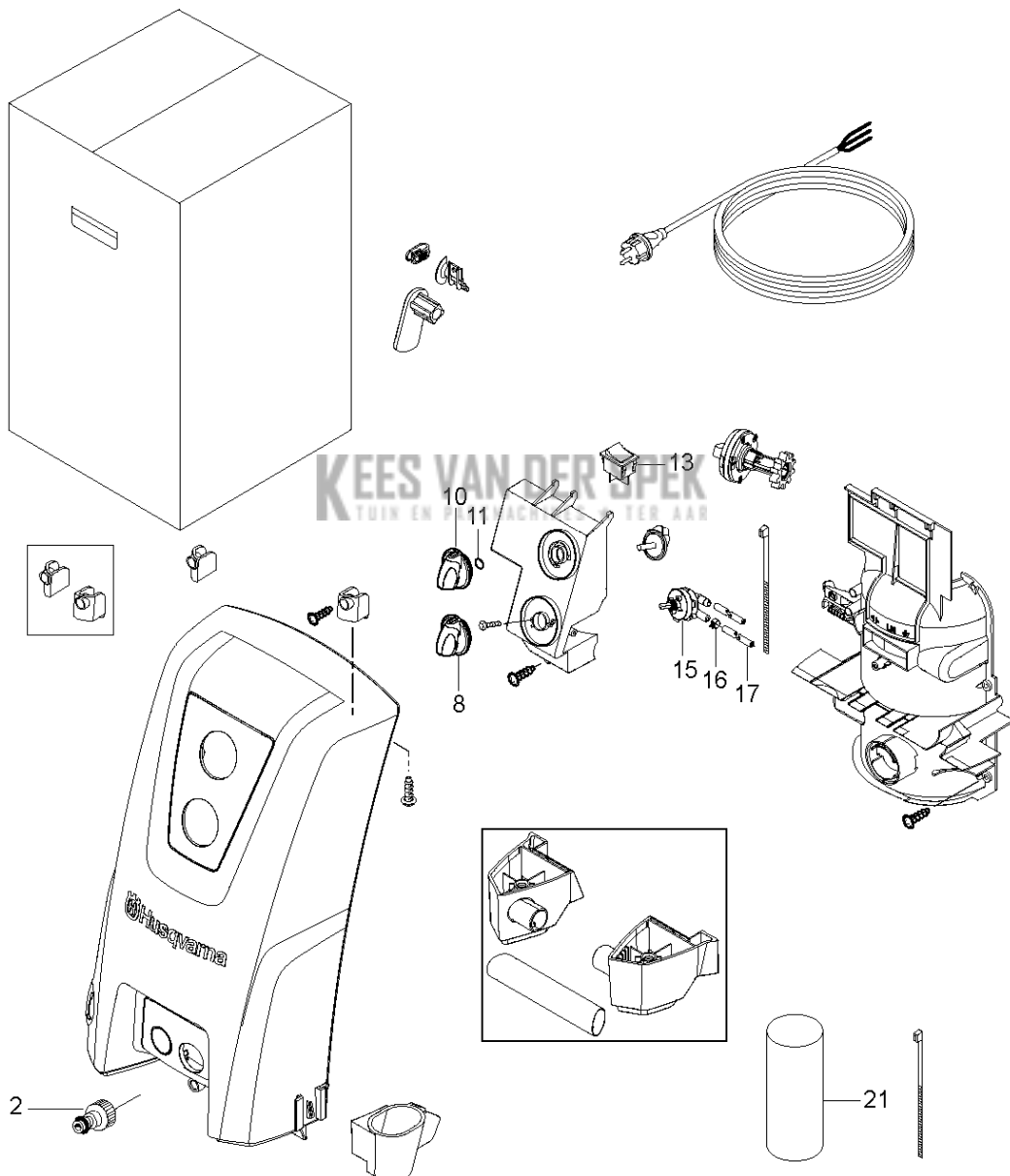
HOSE REEL

PW 460, 2017-10

Ref	Part No	Description	Remark	QTY KIT
2	593 09 57-01	HANDLE	HANDLE OF HOSE REEL PRO	1
9	592 61 76-70	O-RING	O-RING 14.3X2.4 NITRIL 70 SH	1
11	592 80 75-01	ADAPTER	ADAPTOR SYSTEM ALTO	1
12	592 61 76-13	HOSE CONNECTOR	CONNECTION HOSE SP	1
13	592 61 76-71	O-RING	O-RING 5.28X1.78 NITRIL 90 SH	1

OVERVIEW FRONT
PW 460

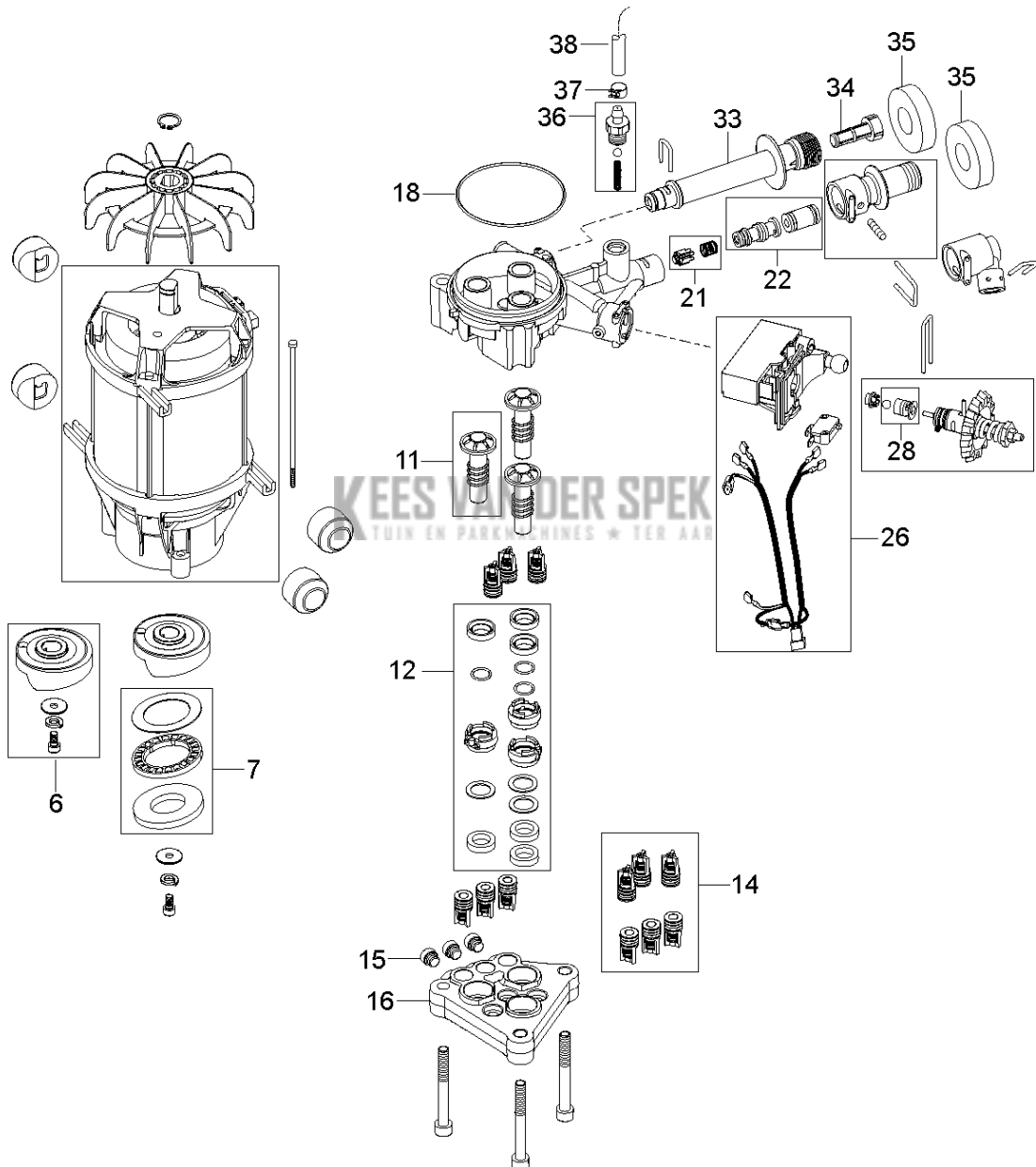
2017.03.22
2017.08.02



Ref	Part No	Description	Remark	QTY KIT
2	592 61 76-89	QUICK COUPLING	QUICK COUPLING MALE W. INTERNAL THREAD	1
8	592 61 77-08	KNOB	TURNING KNOB DARK GREY	1
10	592 61 77-09	KNOB	TURNING KNOB D6X5 DARK GREY	1
11	592 61 76-68	O-RING	O-RING 10.2X2.5 NBR 70	1
13	592 61 76-65	SWITCH	ON/OFF SWITCH K2-12- 2115C SP	1
15	592 61 76-23	VALVE	DOSING VALVE ANGLED SP	1
16	592 61 76-41	HOSE	HOSE CLIP R12	1
17	592 61 76-39	HOSE	HOSE 6X3	1
21	592 61 76-11	CAPACITOR	CAPACITOR 50UF 450V DI. SP	1

MOTOR PUMP UNIT
PW 460

2017.08.03
2017.08.03



PUMP

PW 460, 2017-10

Ref	Part No	Description	Remark	QTY KIT
6	593 13 09-01	DISC	WOBBLE DISC 10 DEGREE SP (EU)	1
6	592 61 77-17	DISC	WOBBLE DISC 8.4 DEGREE SP (AU)	1
7	592 61 76-04	BEARING	BEARING REPAIR KIT	1
11	592 61 76-80	PISTON	PISTON.CERAMIC REP.KIT	3
12	592 61 76-90	SEAL KIT	REP SEALING SYS CERAMIC SP	1
14	592 61 77-12	SERVICE KIT	VALVE SYSTEM REPAIR KIT	1
15	592 61 76-81	PLUG	PLUG WITH O-RING	3
16	592 61 76-20	CYLINDER HEAD	CYLINDERHEAD	1
18	592 61 76-66	O-RING	O-RING 80X2 NITRIL 70 SHORE	1
21	592 61 76-64	NON RETURN VALVE	NON RETURN VALVE SP	1
22	592 61 76-50	INJECTOR	INJECTOR 1.64MM SP	1
26	592 61 76-60	MICRO SWITCH	MICRO SWITCH BOX SYSTEM SP	1
28	592 61 76-25	SERVICE KIT	EASY START SP	1
33	592 61 77-16	INLET	WATER INLET SP	1
34	592 61 76-51	FILTER	INLET FILTER MESH SP	1
35	592 61 76-27	SEAL	FOAM SEAL FOR OUTLET & INLET	2
36	592 61 76-46	HOSE	HOSE TAIL	1
37	592 61 76-41	HOSE	HOSE CLIP R12	1
38	592 61 76-39	HOSE	HOSE diam. 6X3	1

KEES VAN DER SPEK
 TUIN EN PARKMACHINES * TER AAR