

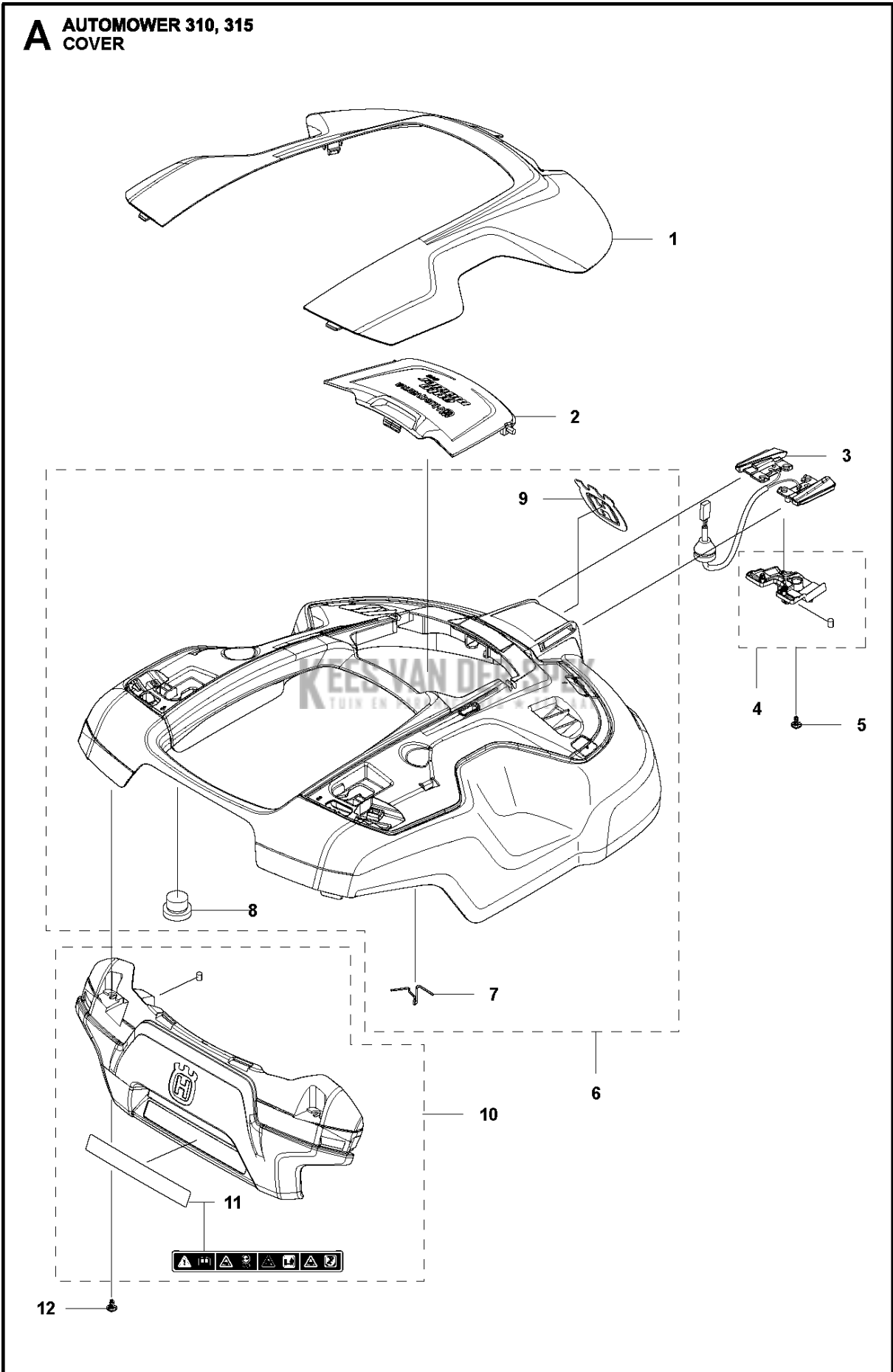


SPARE PARTS LIST

ROBOTIC LAWN MOWERS

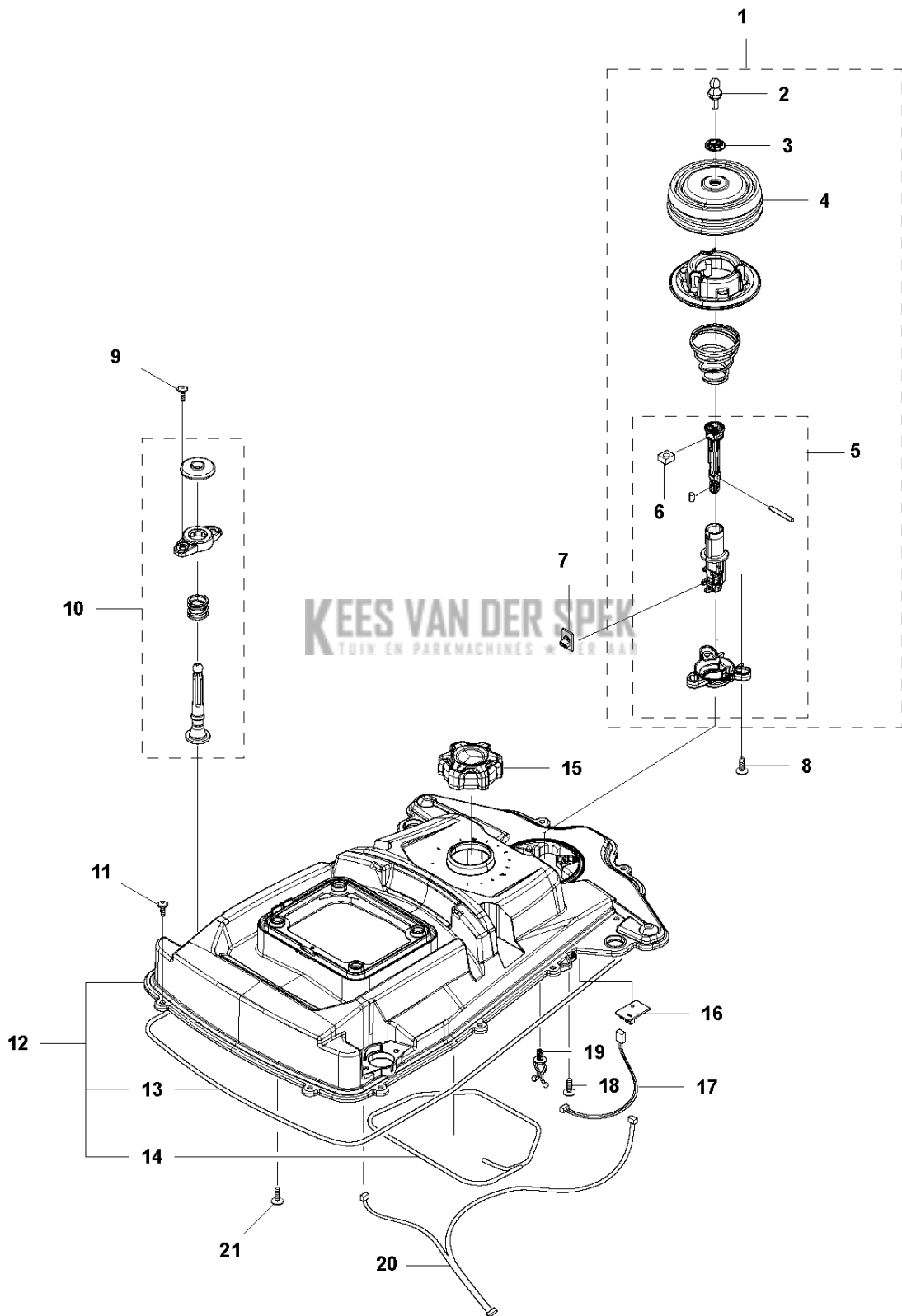
AUTOMOWER 310, 2019-

A AUTOMOWER 310, 315
COVER



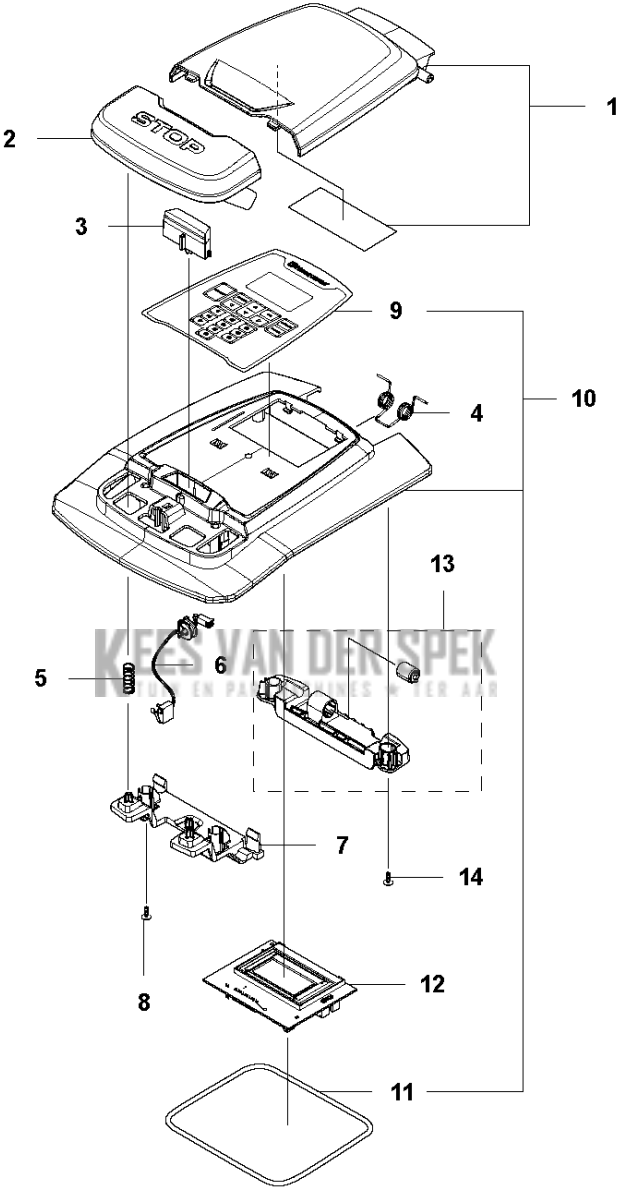
| Referentie | Onderdeel nr | Omschrijving | Opmerking | Aant KIT al |
|------------|--------------|-----------------|-----------------------|-------------|
| 1 | 587 23 58-01 | BODY KIT | Top Cover Grey | 1 |
| 1 | 587 23 58-02 | BODY KIT | Top Cover White | 1 |
| 1 | 587 23 58-03 | BODY KIT | Top Cover Orange | 1 |
| 2 | 585 53 81-01 | KAP | Hood 310 | 1 |
| 2 | 585 53 81-02 | KAP | Hood 315 | 1 |
| 3 | 585 53 92-04 | KABEL COMPL. | Charging Plate Wiring | 1 |
| 4 | 587 44 86-02 | HOLDER KIT | Holder KIT | 1 |
| 5 | 574 45 01-01 | SCHROEF ITXPANT | Screw | 1 |
| 6 | 587 44 85-01 | BODY KIT | Body ASSY | 1 |
| 7 | 587 41 94-02 | VEER | Spring Hood | 1 |
| 8 | 580 52 68-01 | KAP | Cap Snaploc | 3 |
| 9 | 574 38 21-01 | STICKER | Crown | 1 |
| 10 | 587 44 87-01 | BUMPER | Bumper ASSY | 1 |
| 11 | 586 35 97-01 | PLAATJE | Label Warning | 1 |
| 12 | 574 45 01-01 | SCHROEF ITXPANT | Screw | 2 |

B AUTOMOWER 310, 315
CHASSIS UPPER



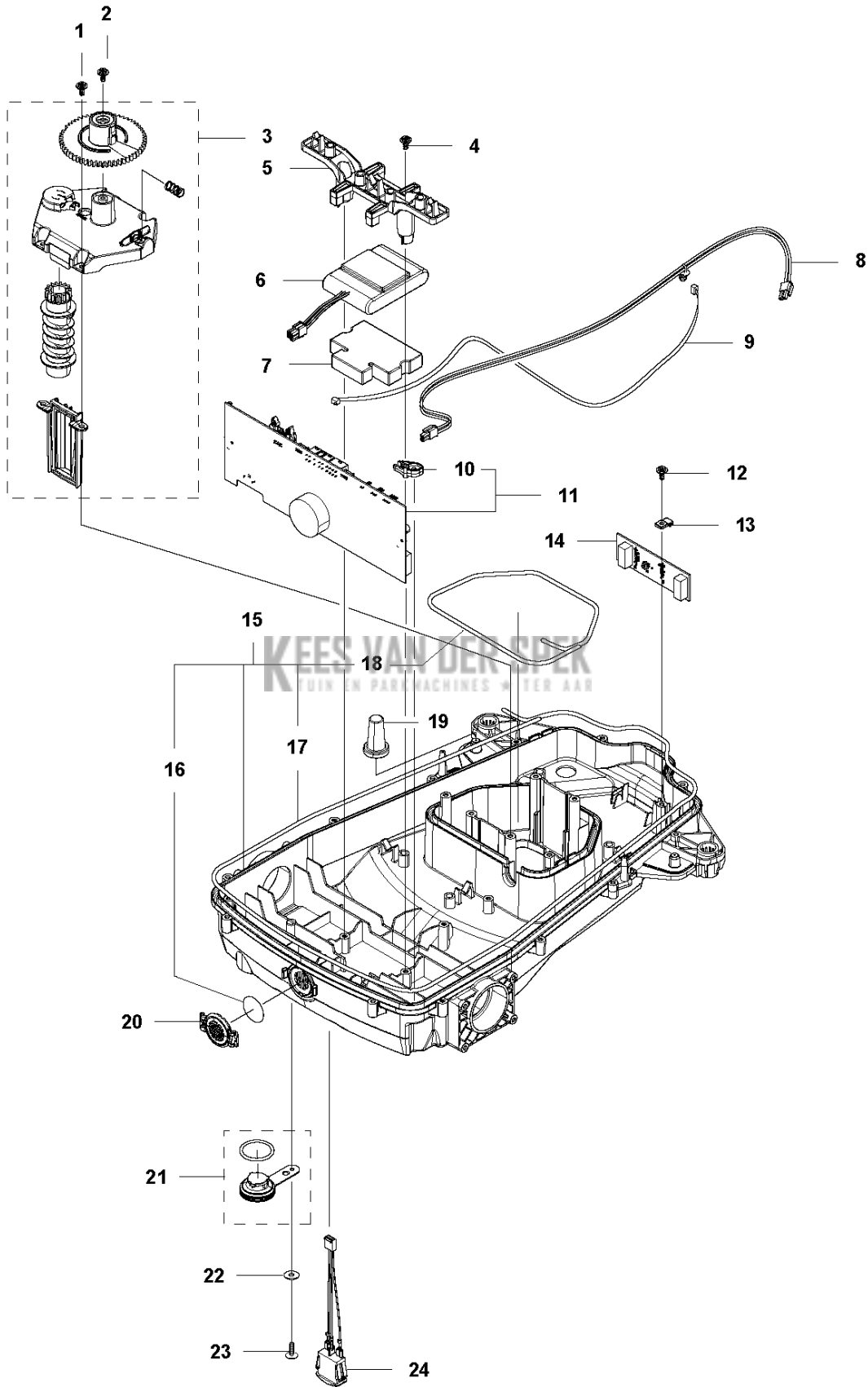
| Referentie | Onderdeel nr | Omschrijving | Opmerking | Aant KIT al |
|------------|--------------|-------------------|-----------------------------|-------------|
| 1 | 581 62 09-03 | JOYSTICK KIT | Joystick KIT Front | 1 |
| 2 | 580 52 67-01 | TAPEIND | Stud | 1 |
| 3 | 579 52 57-01 | RING | Washer | 1 |
| 4 | 579 47 46-01 | BALG | Bellows | 1 |
| 5 | 587 44 88-02 | JOYSTICK KIT | Joystick ASSY | 1 |
| 6 | 503 22 66-01 | MOER 4-KANT | Square Nut | 1 |
| 7 | 592 85 23-01 | PRINTPLAAT COMPL. | PCBA Lift Sensor | 1 |
| 8 | 575 54 33-14 | SCREW | Screw | 3 |
| 9 | 574 45 01-01 | SCHROEF ITXPANT | Screw | 4 |
| 10 | 594 05 86-01 | JOYSTICK ASSY | Joystick KIT Rear | 2 |
| 11 | 574 45 01-01 | SCHROEF ITXPANT | Screw | 12 |
| 12 | 587 44 89-02 | CHASSIS KIT | Chassis KIT | 1 |
| 13 | 574 87 47-09 | AFDICHTINGSSTRIP | Sealing Strip (1 pcs, 5 mm) | 1 |
| 14 | 574 87 47-08 | AFDICHTINGSSTRIP | Sealing Strip (1 pcs, 5 mm) | 1 |
| 15 | 585 28 14-01 | KNOP | Knob | 1 |
| 16 | 592 90 95-01 | PRINTPLAAT COMPL. | PCBA Collision Sensor | 1 |
| 17 | 585 20 85-01 | HANDVAT | Loom Lift-Collision | 1 |
| 18 | 574 45 01-01 | SCHROEF ITXPANT | Screw | 3 |
| 19 | 580 68 29-01 | HOLDER | Holder Twist Lock | 3 |
| 20 | 588 79 78-01 | BEKABELING COMPL. | Loom | 1 |
| 21 | 574 45 01-01 | SCHROEF ITXPANT | Screw | 4 |

C AUTOMOWER 310, 315
CENTER CONSOL



| Referentie | Onderdeel nr | Omschrijving | Opmerking | Aant KIT al |
|------------|--------------|-------------------|-------------------------------|-------------|
| 1 | 587 65 13-01 | HATCH KIT | Hatch KIT | 1 |
| 2 | 585 27 56-01 | KNOOP | Stop Button | 1 |
| 3 | 585 27 59-01 | SLOT | Lock | 1 |
| 4 | 585 25 54-01 | TORSIEVEER | Torsion Spring | 1 |
| 5 | 576 24 22-01 | VEER | Spring | 3 |
| 6 | 574 48 03-02 | SCHAKELAAR | Switch | 1 |
| 7 | 585 27 57-01 | STEUN | Support Rear | 1 |
| 8 | 575 54 33-14 | SCREW | Screw | 2 |
| 9 | 584 97 45-01 | TOETSENBORD | "Keyboard 2.1"" Display 310" | 1 |
| 9 | 584 97 46-01 | TOETSENBORD | "Keyboard 2.8"" Display 315" | 1 |
| 10 | 587 44 90-01 | DEKSELSET | "Cover KIT 2.1"" Display 310" | 1 |
| 10 | 587 44 90-02 | DEKSELSET | "Cover KIT 2.8"" Display 315" | 1 |
| 11 | 574 87 47-08 | AFDICHTINGSSTRIP | Sealing Strip (1 pcs, 5 mm) | 1 |
| 12 | 592 91 01-01 | PRINTPLAAT COMPL. | "PCBA MMI 2.1"" Display 310" | 1 |
| 12 | 592 91 02-01 | PRINTPLAAT COMPL. | "PCBA MMI 2.8"" Display 315" | 1 |
| 13 | 501 10 61-01 | SUPPORT KIT | Support KIT | 1 |
| 14 | 575 54 33-14 | SCREW | Screw | 2 |

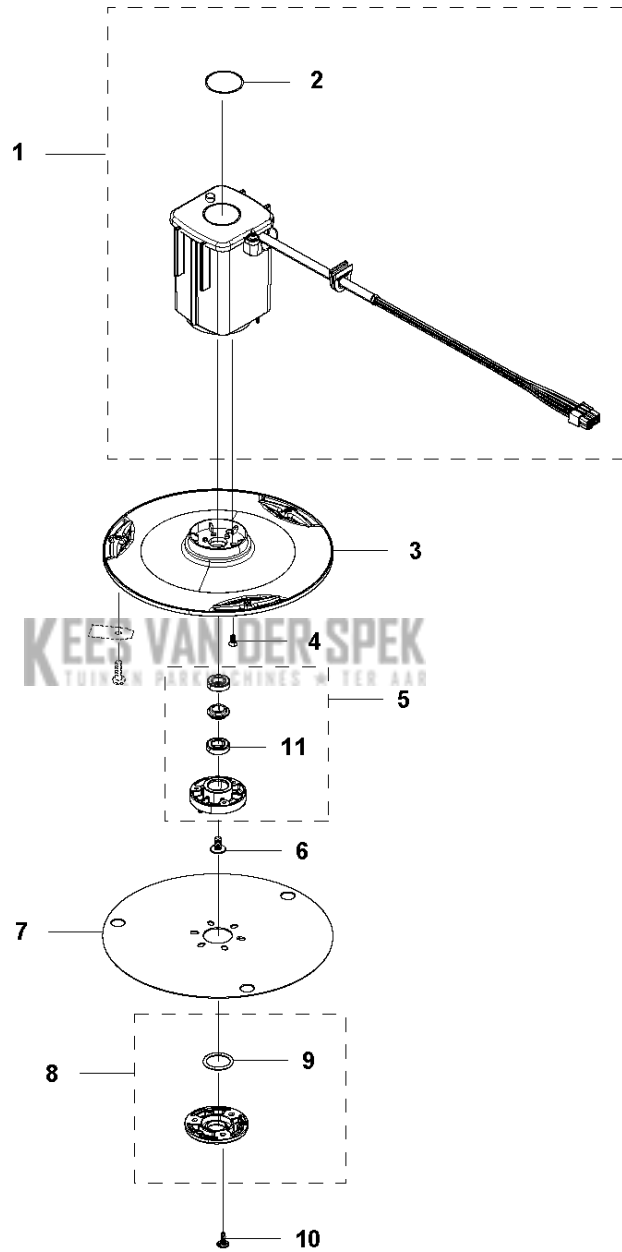
D AUTOMOWER 310, 315
CHASSIS LOWER



| Referentie | Onderdeel nr | Omschrijving | Opmerking | Aant KIT al |
|------------|--------------|-------------------|-----------------------------|-------------|
| 1 | 574 45 01-01 | SCHROEF ITPANT | Screw | 1 |
| 2 | 574 45 01-01 | SCHROEF ITPANT | Screw | 4 |
| 3 | 501 10 66-01 | DEKSELSET | Cover KIT | 1 |
| 4 | 574 45 01-01 | SCHROEF ITPANT | Screw | 2 |
| 5 | 585 30 47-01 | HOLDER | Holder Battery | 1 |
| 6 | 589 58 62-01 | ACCU | Battery | 1 |
| 7 | 589 36 62-01 | GEWICHT | Weight | 1 |
| 8 | 585 53 90-01 | HANDVAT | Loom Charging | 1 |
| 9 | 579 70 82-01 | HANDVAT | Loom Loop Sensor | 1 |
| 10 | 585 53 83-01 | KLEM | Clips | 2 |
| 11 | 592 85 18-01 | PRINTPLAAT COMPL. | Main Board | 1 |
| 12 | 574 45 01-01 | SCHROEF ITPANT | Screw | 1 |
| 13 | 579 52 94-01 | KLEM | Clamp | 1 |
| 14 | 592 85 27-01 | PRINTPLAAT COMPL. | Sensor Board | 1 |
| 15 | 587 44 92-02 | CHASSIS KIT | Chassis Lower KIT | 1 |
| 16 | 577 75 37-01 | KIT | Air Filter | 1 |
| 17 | 574 87 47-09 | AFDICHTINGSSTRIP | Sealing Strip (1 pcs, 5 mm) | 1 |
| 18 | 574 87 47-08 | AFDICHTINGSSTRIP | Sealing Strip (1 pcs, 5 mm) | 1 |
| 19 | 586 34 26-01 | KOLOM | Pillar | 2 |
| 20 | 586 03 89-01 | DEKSEL | Cover Filter | 1 |
| 21 | 581 62 12-02 | PLUG KIT | Plug KIT | 1 |
| 22 | 734 11 37-41 | RING | Washer | 1 |
| 23 | 574 45 01-01 | SCHROEF ITPANT | Screw | 1 |
| 24 | 579 70 87-01 | KABEL COMPL. | Loom On-Off | 1 |

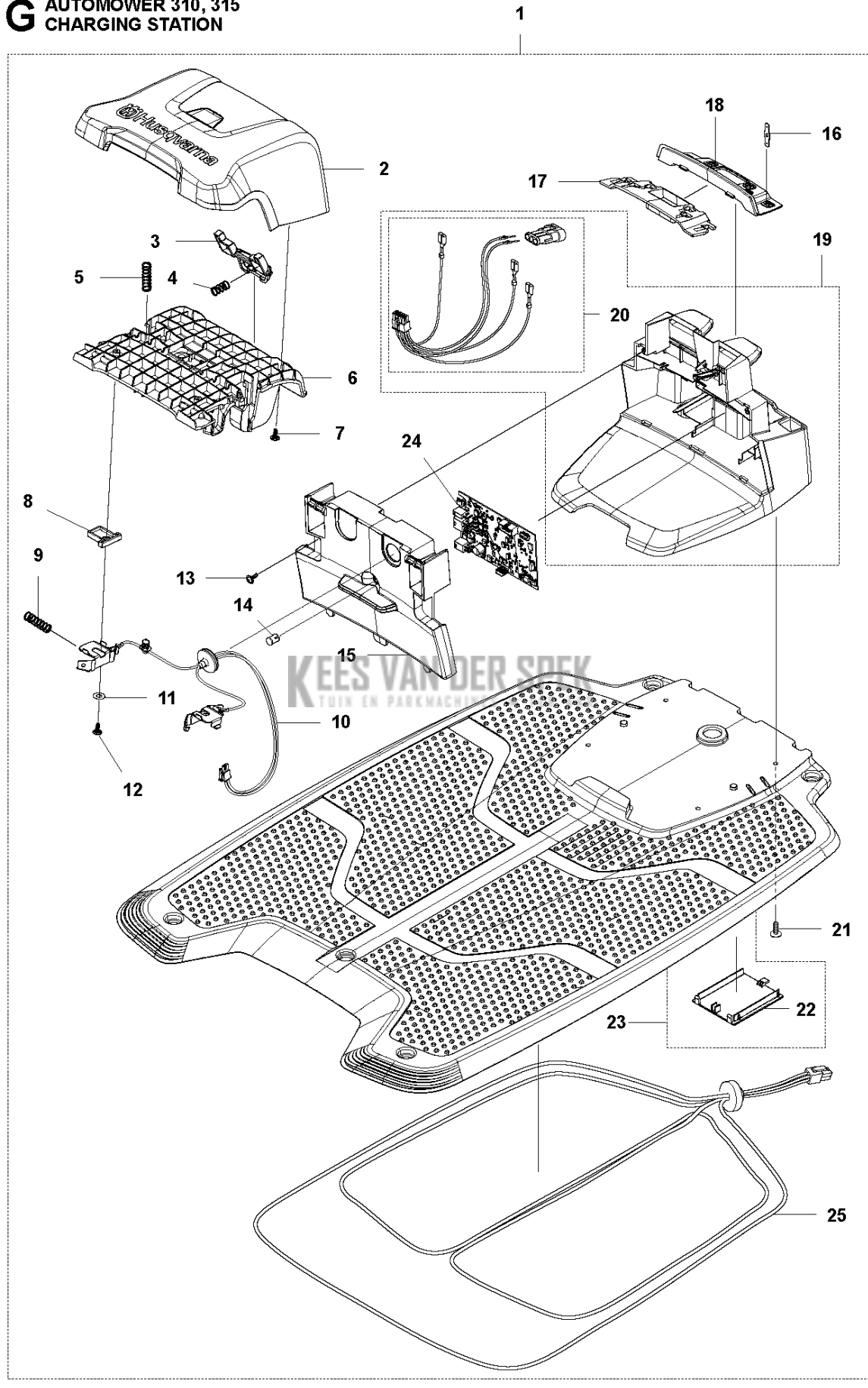
| Referentie | Onderdeel nr | Omschrijving | Opmerking | Aant KIT al |
|------------|--------------|-----------------------|--------------------|-------------|
| 1 | 587 65 19-01 | WHEEL KIT | Front Wheel Assy | 2 |
| 2 | 576 01 94-02 | BORGRING | Lock Washer | 2 |
| 3 | 585 19 68-01 | RING | Washer | 2 |
| 4 | 585 21 42-01 | KOGELLAGER | Ball Bearing | 2 |
| 5 | 585 21 42-01 | KOGELLAGER | Ball Bearing | 2 |
| 6 | 535 08 78-02 | RING | Washer | 2 |
| 7 | 585 19 68-01 | RING | Washer | 2 |
| 8 | 585 18 72-01 | SPINDEL | Spindle | 2 |
| 9 | 587 44 93-01 | SHIELD KIT | Shield KIT | 2 |
| 10 | 580 48 71-01 | AFDICHTING | Sealing | 2 |
| 11 | 585 21 42-01 | KOGELLAGER | Ball Bearing | 2 |
| 12 | 579 45 71-01 | WIEL | Wheel Inside | 2 |
| 13 | 574 44 98-01 | WIEL | Wheel Tyre | 2 |
| 14 | 580 44 51-01 | O-RING | O-ring | 2 |
| 15 | 585 21 42-01 | KOGELLAGER | Ball Bearing | 2 |
| 16 | 585 19 68-01 | RING | Washer | 2 |
| 17 | 576 01 94-01 | BORGRING | Lock Washer | 2 |
| 18 | 579 45 72-01 | WIEL | Wheel Outside | 2 |
| 19 | 575 54 33-14 | SCREW | Screw | 6 |
| 20 | 580 44 39-02 | O-RING | O-ring | 2 |
| 21 | 587 44 94-03 | MOTOR KIT | Motor ASSY | 1 |
| 22 | 574 45 01-01 | SCHROEF ITXPANT | Screw | 8 |
| 23 | 585 06 56-01 | DEKSEL | Cover - Rear Wheel | 2 |
| 24 | 590 21 75-01 | WIEL | Rear Wheel | 2 |
| 25 | 586 21 06-01 | RING | Washer | 2 |
| 26 | 731 43 24-01 | DUNNE ZESKANTIGE MOER | Thin Nut | 2 |
| 27 | 579 50 55-02 | NAAFDOP | Hub Cap | 2 |

F AUTOMOWER 310, 315
BLADE MOTOR & CUTTING EQUIPMENT



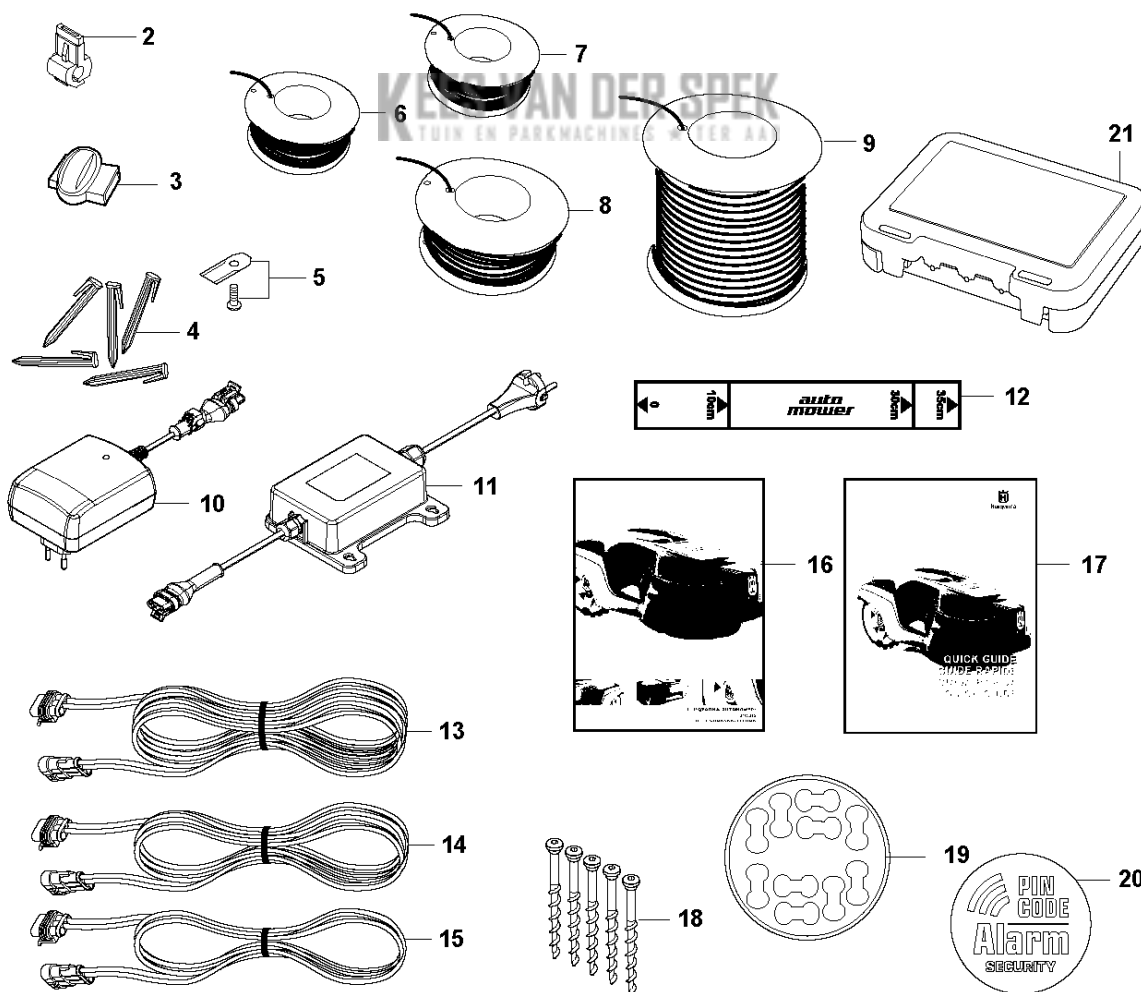
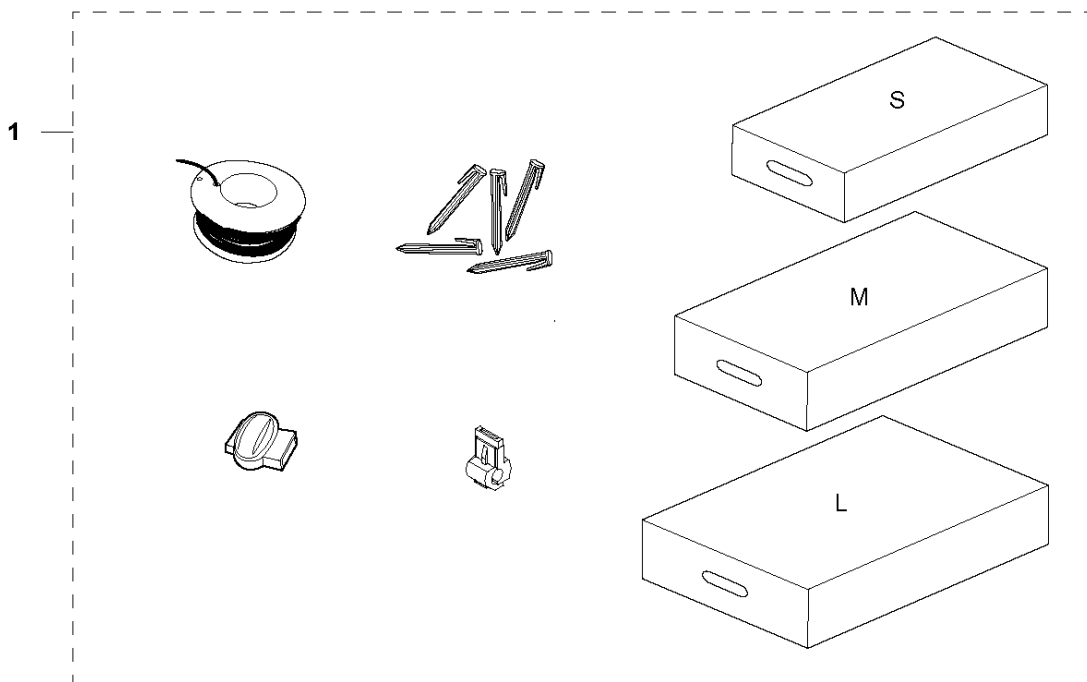
| Referentie | Onderdeel nr | Omschrijving | Opmerking | Aant KIT al |
|------------|--------------|-----------------|----------------------|-------------|
| 2 | 577 75 37-01 | KIT | Air Filter | 10 |
| 1 | 584 92 05-02 | MOTOR COMPL. | Motor ASSY | 1 |
| 3 | 585 29 69-02 | ZAAGSCHIJF | Cutting Disk | 1 |
| 4 | 590 50 87-01 | SCREW | Screw | 3 |
| 5 | 588 42 17-02 | LAGERHUIS COMPL | Bearing Housing ASSY | 1 |
| 6 | 535 07 60-01 | SCREW | Screw | 1 |
| 7 | 585 29 70-01 | GLIJ PLAAT | Skid Plate | 1 |
| 8 | 587 44 96-01 | DEKSELSET | Bearing Cover | 1 |
| 9 | 585 29 75-01 | O-RING | O-Ring | 1 |
| 10 | 575 54 33-14 | SCREW | Screw | 3 |
| 11 | 535 07 57-03 | KOGELLAGER | | 1 |
| 11 | 593 08 08-01 | KOGELLAGER | Tube 50 pcs | 1 |

G AUTOMOWER 310, 315
CHARGING STATION



| Referentie | Onderdeel nr | Omschrijving | Opmerking | Aant KIT al |
|------------|--------------|-------------------|-----------------------|----------------|
| 1 | 585 16 40-02 | LAADSTATION | Charging Station | 1 |
| 2 | 585 07 11-02 | KAP | Cap | 1 |
| 3 | 579 46 24-02 | KNOOP | Button - Release | 1 |
| 4 | 574 48 70-01 | VEER | Spring | 1 |
| 5 | 580 51 14-01 | VEER | Spring | 2 |
| 6 | 579 45 80-04 | FRAME | Frame | 1 |
| 7 | 575 54 33-14 | SCREW | Screw | 4 |
| 8 | 579 46 05-01 | AFSTAND | Distance | 2 |
| 9 | 580 51 14-01 | VEER | Spring | 2 |
| 10 | 585 53 95-02 | KABEL COMPL. | Loom Charging Contact | 1 |
| 11 | 734 11 37-41 | RING | Washer | 2 |
| 12 | 575 54 33-14 | SCREW | Screw | 2 |
| 13 | 575 54 33-14 | SCREW | Screw | 2 |
| 14 | 590 21 72-01 | LENS | Lens | 1 |
| 15 | 585 07 14-01 | DEKSEL | Lid | 1 |
| 16 | 580 50 41-01 | KLEM | Terminal | 3 |
| 17 | 579 45 98-01 | PAN | Panel | 1 |
| 18 | 579 45 99-01 | HOLDER | Holder | 1 |
| 19 | 588 41 61-01 | HUIS COMPL. | Housing | 1 |
| 20 | 587 65 15-01 | LOOM KIT | Loom | 1 |
| 21 | 575 54 33-14 | SCREW | Screw | 4 |
| 22 | 585 91 93-01 | DEKSEL | Cover | 1 |
| 23 | 587 65 16-02 | LAADCONTACT | Charging Plate KIT | 1 |
| 24 | 592 90 93-02 | PRINTPLAAT COMPL. | Printed Circuit ASSY | 1 |
| 25 | 590 52 72-01 | KABEL COMPL. | | 1 1 |

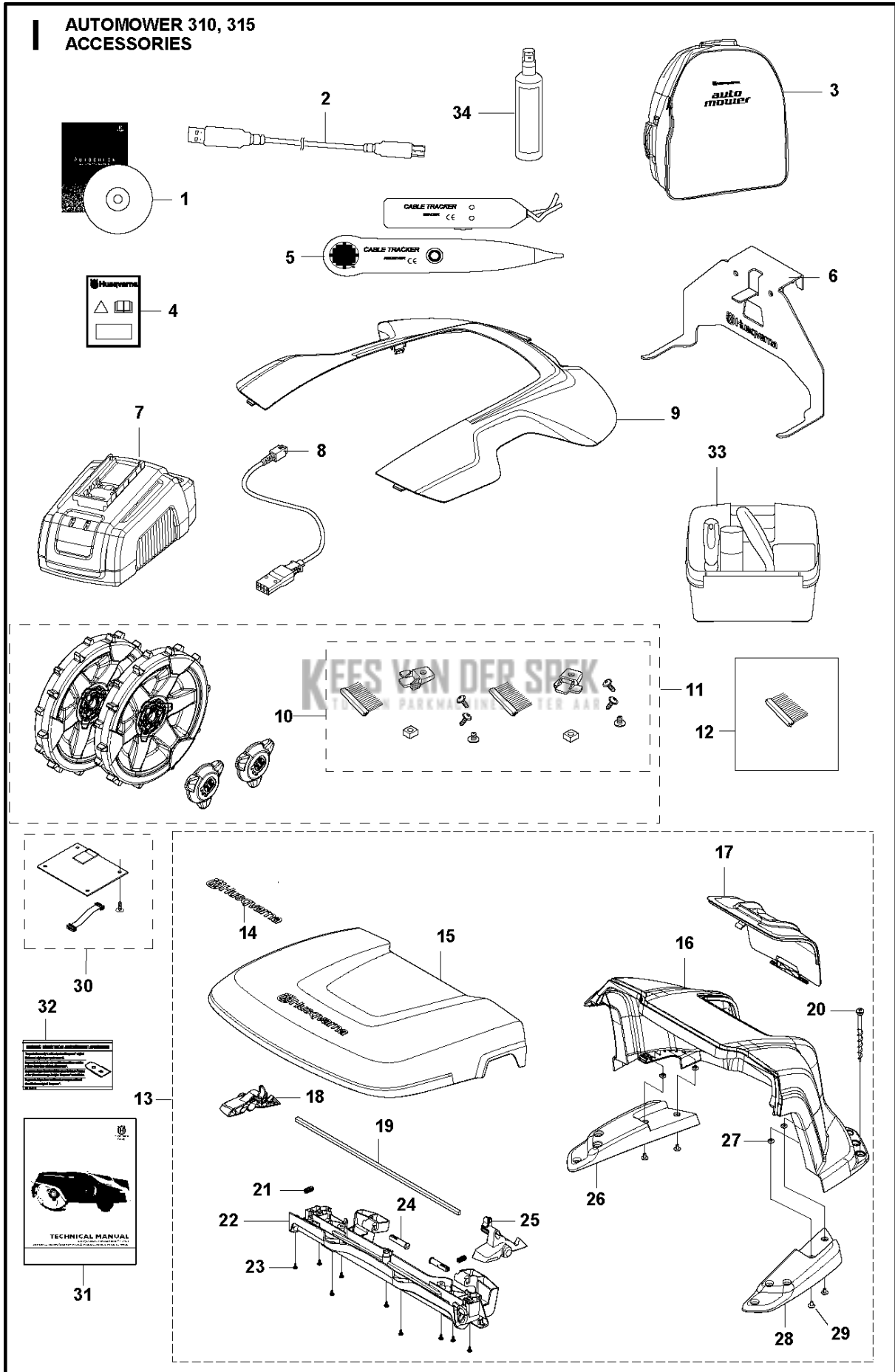
H AUTOMOWER 310, 315 INSTALLATION ACCESSORIES



| Referentie | Onderdeel nr | Omschrijving | Opmerking | Aant KIT al |
|------------|--------------|------------------|---|-------------|
| 1 | 967 62 36-01 | INSTALLATION KIT | Installation KIT S: Wire (150 m), Staples (300 pcs), Connectors (3 pcs), Couplers (5 pcs) | 1 |
| 1 | 967 62 36-02 | INSTALLATION KIT | Installation KIT M: Wire (250 m), Staples (400 pcs), Connectors (3 pcs), Couplers (5 pcs) | 1 |
| 1 | 967 62 36-03 | INSTALLATION KIT | Installation KIT L: Wire (400 m), Staples (600 pcs), Connectors (5 pcs), Couplers (5 pcs) | 1 |
| 2 | 535 12 90-01 | VERBINDER | Loop Wire Connector | 1 |
| 2 | 577 86 48-01 | VERBINDER | Loop Wire Connector, Blister Pack, 5 pcs | 1 |
| 2 | 535 12 90-02 | VERBINDER | Loop Wire Connector, Blister Pack, 100 pcs | 1 |
| 3 | 501 98 02-01 | KOPPELSTUK | Coupler | 1 |
| 3 | 577 86 47-01 | KOPPELSTUK | Coupler, Blister Pack, 5 pcs | 2 |
| 3 | 501 98 02-03 | KOPPELSTUK | Coupler, 100 pcs | 1 |
| 4 | 583 97 34-01 | NIET | Staples, 100 pcs | 1 |
| 5 | 577 86 46-03 | BLADE SET | Long Life - Safety Blade, Blister Pack, 9 pcs | 1 |
| 5 | 577 60 65-05 | BLADE SET | Long Life - Safety Blade, 45 pcs | 1 |
| 5 | 577 60 66-04 | BLADE SET | Long Life - Safety Blade, 300 pcs | 1 |
| 6 | 577 86 43-02 | KABEL | Wire, Blister Pack, (50 m) | 1 |
| 6 | 580 66 20-02 | KABEL | Wire (150 m) | 1 |
| 6 | 577 86 43-01 | KABEL | Wire, Blister Pack, (150 m) | 1 |
| 7 | 580 66 20-01 | KABEL | Wire (250 m) | 1 |
| 8 | 522 91 41-01 | KABEL | Wire (500 m) | 1 |
| 9 | 580 66 20-04 | KABEL | Wire (800 m) | 1 |
| 10 | 593 16 36-01 | MOTOR UNIT | Power Supply Unit EU | 1 |
| 11 | 584 86 26-02 | MOTOR UNIT | Power Supply Unit UK, IE | 1 |
| 11 | 584 86 26-03 | MOTOR UNIT | Power Supply Unit CH | 1 |
| 11 | 584 86 26-04 | MOTOR UNIT | Power Supply Unit US, CA | 1 |
| 11 | 584 86 26-05 | MOTOR UNIT | Power Supply Unit AU, NZ | 1 |
| 11 | 584 86 26-06 | MOTOR UNIT | Power Supply Unit JP | 1 |
| 12 | 544 17 75-01 | MEETBAND | Measuring Tape | 1 |
| 13 | 579 82 51-01 | KABEL COMPL. | Low voltage cable 20m | 1 |
| 14 | 579 82 51-02 | KABEL COMPL. | Low voltage cable 10m | 1 |
| 15 | 579 82 51-03 | KABEL COMPL. | Low voltage cable 3m | 1 |
| 15 | 579 82 51-04 | KABEL COMPL. | Low Voltage Cable (5 m) | 1 |
| 16 | 115875706 | TBD | Operator's Manual, Swedish | 1 |
| 16 | 115875711 | TBD | Operator's Manual, Danish | 1 |
| 16 | 115875721 | TBD | Operator's Manual, Finnish | 1 |
| 16 | 115875726 | TBD | Operator's Manual, Norwegian | 1 |
| 16 | 115875731 | TBD | Operator's Manual, English | 1 |
| 16 | 115875732 | TBD | Operator's Manual, French | 1 |
| 16 | 115875736 | TBD | Operator's Manual, French (CA) | 1 |
| 16 | 115875741 | TBD | Operator's Manual, Dutch | 1 |
| 16 | 115875746 | TBD | Operator's Manual, Italian | 1 |
| 16 | 115875751 | TBD | Operator's Manual, Spanish | 1 |
| 16 | 115875756 | TBD | Operator's Manual, German | 1 |
| 16 | 115875758 | TBD | Operator's Manual, Russian | 1 |
| 16 | 115875759 | TBD | Operator's Manual, Hungarian | 1 |
| 16 | 115875761 | TBD | Operator's Manual, Portuguese | 1 |
| 16 | 115875762 | TBD | Operator's Manual, Polish | 1 |

| Referentie | Onderdeel nr | Omschrijving | Opmerking | Aant KIT al |
|------------|--------------|--------------------|---|-------------|
| 16 | 115875763 | TBD | Operator's Manual, Romanian | 1 |
| 16 | 115875764 | TBD | Operator's Manual, Estonian | 1 |
| 16 | 115875765 | TBD | Operator's Manual, Latvian | 1 |
| 16 | 115875768 | TBD | Operator's Manual, Lithuanian | 1 |
| 16 | 115875771 | TBD | Operator's Manual, Slovakian | 1 |
| 16 | 115875776 | TBD | Operator's Manual, Greek | 1 |
| 16 | 115875779 | TBD | Operator's Manual, Turkish | 1 |
| 16 | 115875781 | TBD | Operator's Manual, Japanese | 1 |
| 16 | 115875784 | TBD | Operator's Manual, Croatian | 1 |
| 16 | 115875790 | TBD | Operator's Manual, Slovenian | 1 |
| 16 | 115875795 | TBD | Operator's Manual, Czech | 1 |
| 16 | 115875796 | TBD | Operator's Manual, English: EPA, CARB | 1 |
| 16 | 115 78 63-96 | GEBRUIKSAANWIJZING | Operator's Manual, Spanish (US) | 1 |
| 17 | 115 78 65-10 | QUICK GUIDE | Quick Guide, Swedish, Danish, Norwegian, Finnish | 1 |
| 17 | 115 78 65-20 | QUICK GUIDE | Quick Guide, German, French, Dutch, Slovenian | 1 |
| 17 | 115 78 65-30 | QUICK GUIDE | Quick Guide, Spanish, Portuguese, Italian, English | 1 |
| 17 | 115 78 65-38 | QUICK GUIDE | Quick Guide, English, Spanish, French, Japanese | 1 |
| 17 | 115 78 65-39 | QUICK GUIDE | Quick Guide, German, French, Italian, English | 1 |
| 17 | 115 78 65-40 | QUICK GUIDE | Quick Guide, Russian, Estonian, Latvian, Lithuanian | 1 |
| 17 | 115 78 65-50 | QUICK GUIDE | Quick Guide, Czech, Slovak, Polish, Hungarian | 1 |
| 17 | 115 78 65-93 | QUICK GUIDE | Quick Guide, Croatian, Turkish, Romanian, Greek | 1 |
| 18 | 575 23 86-03 | SCREW KIT | Screw KIT, 5 pcs | 1 |
| 19 | 586 27 79-01 | STICKER | Sticker, Cable Markers, 10 pcs | 1 |
| 20 | 579 57 12-01 | PLAATJE | Label Alarm | 1 |
| 21 | 590 85 50-01 | DOOS | Cable Connector Protection | 1 |

**AUTOMOWER 310, 315
ACCESSORIES**



ACCESSOIRES

AUTOMOWER 310, 2019-

| Referentie | Onderdeel nr | Omschrijving | Opmerking | Aant KIT al |
|------------|--------------|--------------------|---|-------------|
| 31 | 115820396 | TBD | Technical Handbook -310, 315, Sileno: Spanish (USA) | 1 |
| 1 | 577 85 81-03 | DVD | DVD Autocheck EXP | 1 |
| 2 | 577 51 81-02 | KABEL | Service Cable (USB) | 1 |
| 3 | 522 91 67-01 | TAS | Bag | 1 |
| 4 | 580 68 95-02 | PLAATJE | Warranty Seal 1pcs | 1 |
| 5 | 577 60 68-01 | TESTUITRUSTING | Interruption Detector | 1 |
| 6 | 587 22 40-01 | WALL HANGER | Wallhanger 310/315 | 1 |
| 7 | 588 40 84-01 | OPLADER | Quick Charger with Battery Test | 1 |
| 8 | 588 20 26-01 | KABEL COMPL. | Cable Quick Charger | 1 |
| 9 | 587 23 58-01 | BODY KIT | Top Cover Grey | 1 |
| 9 | 587 23 58-02 | BODY KIT | Top Cover White | 1 |
| 9 | 587 23 58-03 | BODY KIT | Top Cover Orange | 1 |
| 10 | 587 23 57-01 | BORSTELSET | Wheel Brush KIT (Holder x2, Brush x6) | 1 |
| 11 | 587 23 53-01 | WHEEL KIT | Terrain KIT (Brush KIT + Rear wheels) | 1 |
| 12 | 505 13 28-03 | BORSTEL | Brush, 6 pcs | 1 |
| 13 | 587 23 61-01 | HUIS | House KIT | 1 |
| 14 | 577 46 90-01 | STICKER | Decal | 1 |
| 15 | 585 32 35-01 | DEKSEL | Lid | 1 |
| 16 | 586 99 38-01 | DEKSEL | Cover Base | 1 |
| 17 | 585 32 36-01 | LUIK | Hatch | 1 |
| 18 | 585 32 40-02 | HENDEL | Handle Left | 1 |
| 19 | 585 32 41-01 | STANG | Rod | 1 |
| 20 | 575 23 86-01 | SCREW KIT | Screw KIT, 6 pcs | 1 |
| 21 | 580 51 14-01 | VEER | Spring | 2 |
| 22 | 585 34 16-01 | BALK | Beam | 1 |
| 23 | 575 54 33-14 | SCREW | Screw | 9 |
| 24 | 585 34 15-01 | SCHANIERPEN | Hinge Pin | 2 |
| 25 | 585 32 40-01 | HENDEL | Handle Right | 1 |
| 26 | 585 32 38-02 | STEUN | Support Left | 1 |
| 27 | 503 22 66-01 | MOER 4-KANT | Square Nut | 4 |
| 28 | 585 32 38-01 | STEUN | Support Right | 1 |
| 29 | 535 12 93-03 | SCHROEF IHPANM | Screw | 4 |
| 30 | 586 66 23-05 | GPS MODULE | AMC - Automower Connect KIT | 1 |
| 31 | 115 82 03-01 | WERKPLAATSHANDBOEK | Technical Handbook -310, 315, Sileno: Swedish | 1 |
| 31 | 115 82 03-06 | WERKPLAATSHANDBOEK | Technical Handbook -310, 315, Sileno: Danish | 1 |
| 31 | 115 82 03-11 | WERKPLAATSHANDBOEK | Technical Handbook -310, 315, Sileno: Finnish | 1 |
| 31 | 115 82 03-21 | WERKPLAATSHANDBOEK | Technical Handbook -310, 315, Sileno: Norwegian | 1 |
| 31 | 115 82 03-26 | WERKPLAATSHANDBOEK | Technical Handbook -310, 315, Sileno: English | 1 |
| 31 | 115 82 03-31 | WERKPLAATSHANDBOEK | Technical Handbook -310, 315, Sileno: French | 1 |
| 31 | 115 82 03-36 | WERKPLAATSHANDBOEK | Technical Handbook -310, 315, Sileno: Dutch | 1 |
| 31 | 115 82 03-41 | WERKPLAATSHANDBOEK | Technical Handbook -310, 315, Sileno: Italian | 1 |
| 31 | 115 82 03-46 | WERKPLAATSHANDBOEK | Technical Handbook -310, 315, Sileno: Spanish | 1 |
| 31 | 115 82 03-51 | WERKPLAATSHANDBOEK | Technical Handbook -310, 315, Sileno: German | 1 |
| 31 | 115820356 | TBD | Technical Handbook -310, 315, Sileno: Russian | 1 |
| 31 | 115820358 | TBD | Technical Handbook -310, 315, Sileno: Hungarian | 1 |
| 31 | 115820359 | TBD | Technical Handbook -310, 315, Sileno: Portuguese | 1 |
| 31 | 115820361 | TBD | Technical Handbook -310, 315, Sileno: Polish | 1 |

ACCESSOIRES

AUTOMOWER 310, 2019-

| Referentie | Onderdeel nr | Omschrijving | Opmerking | Aant KIT al |
|------------|--------------|--------------------|--|-------------|
| 31 | 115820362 | TBD | Technical Handbook -310, 315, Sileno: Romanian | 1 |
| 31 | 115820363 | TBD | Technical Handbook -310, 315, Sileno: Estonian | 1 |
| 31 | 115820364 | TBD | Technical Handbook -310, 315, Sileno: Latvian | 1 |
| 31 | 115820365 | TBD | Technical Handbook -310, 315, Sileno: Lithuanian | 1 |
| 31 | 115820368 | TBD | Technical Handbook -310, 315, Sileno: Slovakian | 1 |
| 31 | 115820371 | TBD | Technical Handbook -310, 315, Sileno: Greek | 1 |
| 31 | 115820376 | TBD | Technical Handbook -310, 315, Sileno: Turkish | 1 |
| 31 | 115820379 | TBD | Technical Handbook -310, 315, Sileno: Japanese | 1 |
| 31 | 115820381 | TBD | Technical Handbook -310, 315, Sileno: Croatian | 1 |
| 31 | 115 82 03-84 | WERKPLAATSHANDBOEK | Technical Handbook -310, 315, Sileno: Slovenian | 1 |
| 31 | 115820390 | TBD | Technical Handbook -310, 315, Sileno: Czech | 1 |
| 32 | 591 37 41-01 | STICKER | Original Parts Sticker | 1 |
| 32 | 591 37 41-02 | STICKER | Original Parts Sticker | 1 |
| 32 | 591 37 41-03 | STICKER | Original Parts Sticker | 1 |
| 33 | 590 85 51-01 | KIT | | 1 |
| 34 | 593 96 79-01 | SPRAY | | 1 |