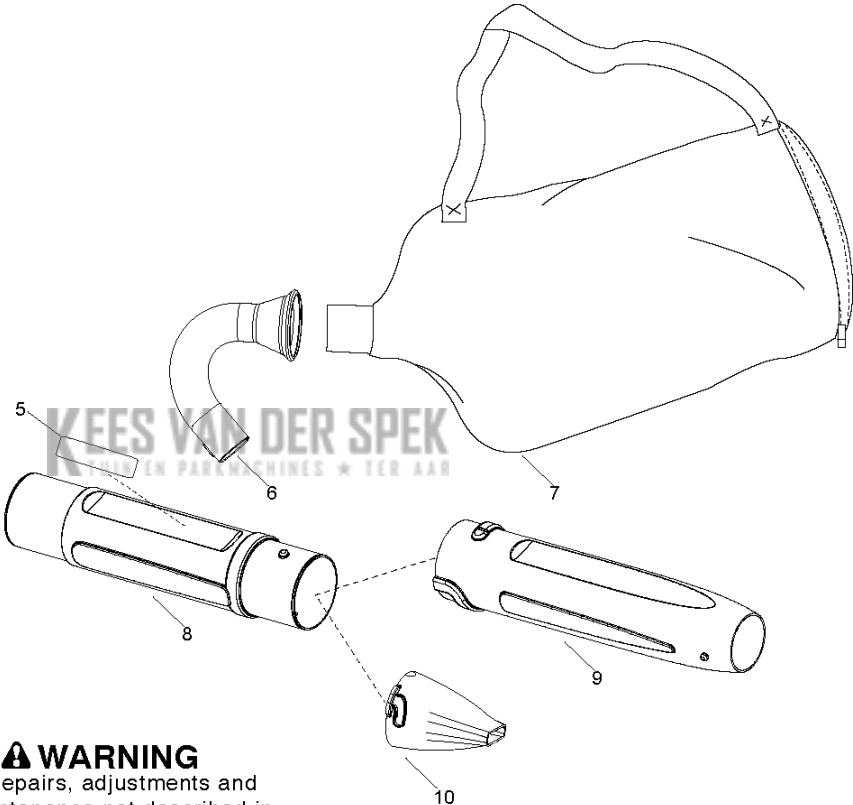
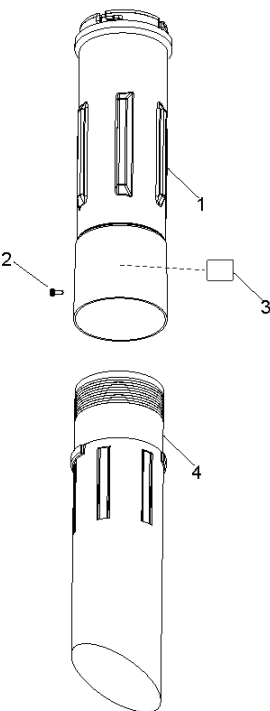


SPARE PARTS LIST

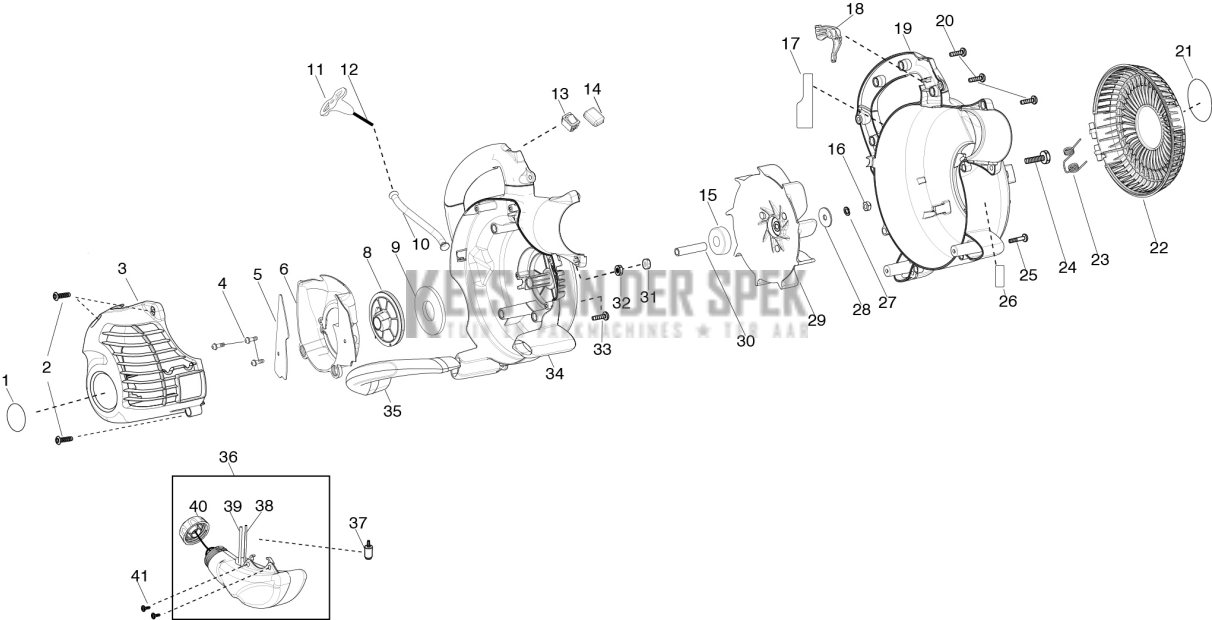
BLOWERS

GBV325, 967167101, 2017-04

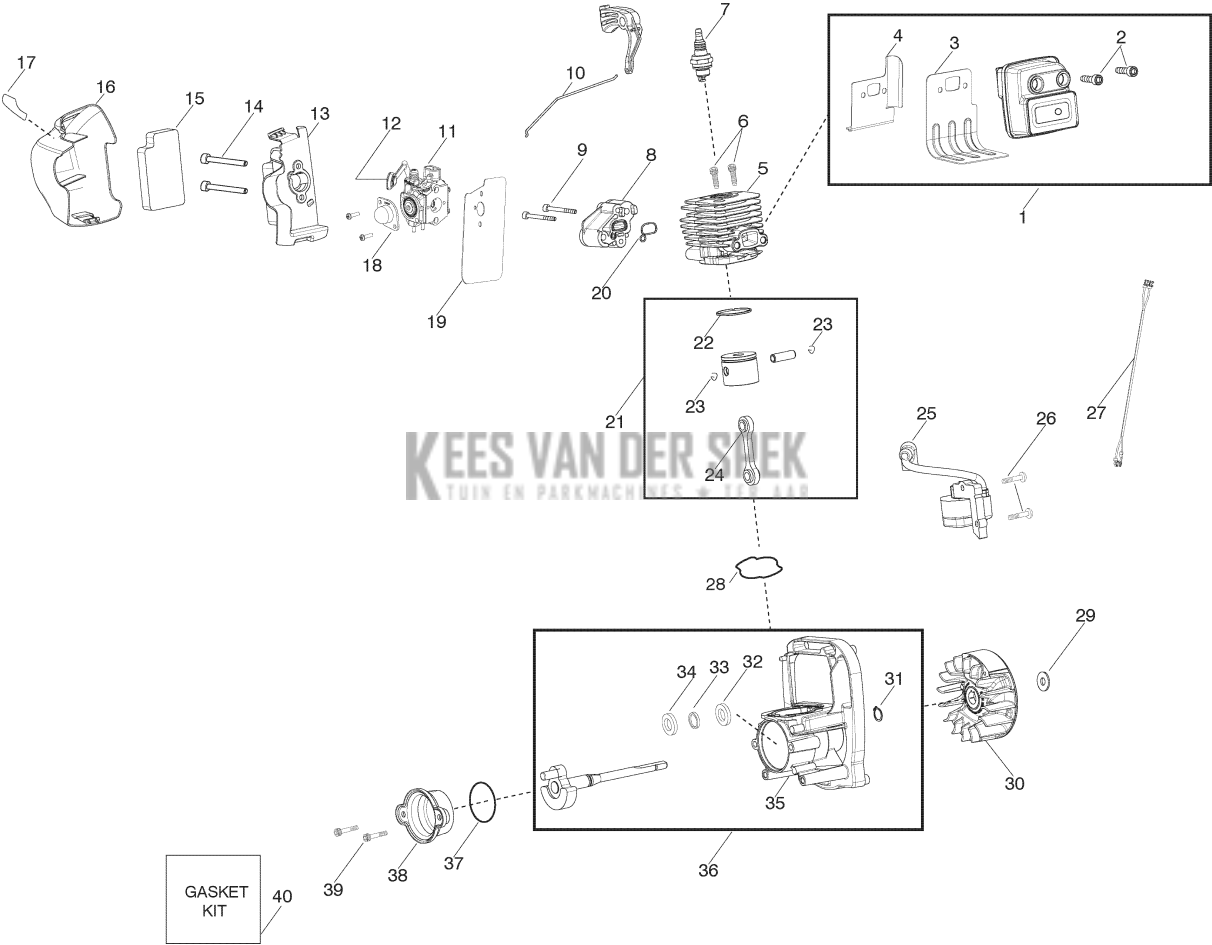


⚠ WARNING
All repairs, adjustments and maintenance not described in the Operator's Manual must be performed by Qualified Service Personnel.

| Referentie | Onderdeel nr | Omschrijving | Opmerking | Aant KIT al |
|------------|--------------|-----------------------------|-------------------------------|-------------|
| 1 | 545 09 94-01 | TUBE VAC UPPER BLACK | Tube - Upper Vac | 1 |
| 2 | 545 14 41-01 | SCREW | Screw | 1 |
| 3 | 530 40 26-33 | STICKER | Decal - Screw | 1 |
| 4 | 545 14 10-01 | PIJP | Tube - Lower Vac | 1 |
| 5 | 580 85 51-01 | STICKER | Decal - Blower Tube | 1 |
| 6 | 575 87 35-01 | PIJP | Tube - J | 1 |
| 7 | 530 09 55-64 | TAS | Assy - Vac Bag | 1 |
| 8 | 545 16 78-01 | BLOWER TUBE | Tube - Upper Blower w/barrier | 1 |
| 9 | 545 10 06-01 | TUBE BLOWER LOW RND BLACK | Tube - Lower Blower | 1 |
| 10 | 545 15 12-01 | NOZZLE BLK HI SPEED ADAPTOR | Nozzle - High Speed | 1 |



| Referentie | Onderdeel nr | Omschrijving | Opmerking | Aant KIT al |
|------------|--------------|--------------------------|-----------------|-------------|
| 2 | 530 01 58-14 | SCREW | | 1 |
| 3 | 588 17 50-01 | MOTORDEKSEL | | 1 |
| 4 | 530 01 58-80 | SCREW | | 1 |
| 5 | 545 13 40-01 | SCHERM | | 1 |
| 6 | 545 09 91-01 | SCHERM | | 1 |
| 8 | 589 50 55-01 | SERVICE KIT | STARTER PULLEY | 1 |
| 9 | 545 05 49-01 | VEER | | 1 |
| 10 | 581 73 10-01 | OPHANGRING | | 2 |
| 11 | 530 05 48-34 | HENDEL | | 1 |
| 12 | 545 08 18-33 | KIT ROPE | | 1 |
| 13 | 545 08 18-30 | KIT SWITCH MOMENTARY | | 1 |
| 15 | 545 09 90-01 | LAGER | | 1 |
| 16 | 530 62 66-05 | MOER | | 1 |
| 18 | 545 11 38-04 | TRIGGER THROTTLE BLACK | | 1 |
| 19 | 585 19 98-17 | SCROLLEN | | 1 |
| 20 | 530 01 58-14 | SCREW | | 1 |
| 22 | 545 10 08-01 | DEUR | | 1 |
| 23 | 545 11 56-01 | SPRING VAC DOOR | | 1 |
| 24 | 545 00 35-02 | SCREW | | 1 |
| 25 | 530 01 59-40 | SCREW | | 1 |
| 27 | 530 09 23-22 | RING | | 1 |
| 28 | 545 10 99-01 | RING | | 1 |
| 29 | 580 78 09-01 | NAAF COMPL. | | 1 |
| 30 | 576 81 01-01 | AFSTANDRING | | 1 |
| 31 | 530 01 55-15 | LOCK NUT | | 1 |
| 32 | 530 01 51-97 | MOER | | 1 |
| 33 | 530 01 63-86 | SCREW | | 1 |
| 34 | 586 05 31-12 | SCROLLEN | | 1 |
| 35 | 545 10 12-01 | HENDEL | | 1 |
| 36 | 578 94 33-12 | BRANDSTOFTANK COMPL. | | 1 |
| 37 | 577 16 72-01 | ASSEMBLY | | 1 |
| 38 | 530 06 92-47 | SLANG | | 1 |
| 39 | 530 06 92-16 | KIT | LINE TANK/PURGE | 1 |
| 40 | 578 93 11-02 | BENZINEDOP COMPL. | | 1 |
| 41 | 530 01 64-45 | SCREW FUEL TANK RETAINER | | 1 |



| Referentie | Onderdeel nr | Omschrijving | Opmerking | Aant KIT al |
|------------|--------------|--------------------------------|--|-------------|
| 1 | 525 59 28-01 | GELUIDDEMPER | "Assy - Muffler (Incl. 2,3,4)" | 1 |
| 2 | 530 05 89-82 | BOUT | Bolt | 1 |
| 3 | 545 08 18-32 | PAKKINGSET | Gasket (Ref.#40) | 1 |
| 4 | 545 09 88-01 | HITTE SCHILD | Shield - Muffler | 1 |
| 5 | 586 22 47-01 | CILINDER | Cylinder | 1 |
| 6 | 530 01 59-53 | SCREW | Bolt | 1 |
| 7 | 952 03 02-49 | BOUGIE | Spark Plug (RCJ-6Y) | 1 |
| 8 | 545 08 49-01 | ADAPTER CARBURETOR | Adapter - Carb. | 1 |
| 9 | 530 01 64-41 | SCREW | Screw | 1 |
| 10 | 545 11 55-01 | LINKAGE THROTTLE W | Linkage - Throttle | 1 |
| 11 | 545 08 18-55 | CARBURETTOR KIT | "Kit - Carb. Assy (WT875A) (Incl. 12,18)" | 1 |
| 12 | 545 08 18-55 | CARBURETTOR KIT | Lever- Choke (Red) | 1 |
| 13 | 545 11 26-04 | DOOS | Base - Airbox | 1 |
| 14 | 530 01 64-28 | SCREW | Screw | 1 |
| 15 | 545 11 68-01 | AIR FILTER FOAM | Filter | 1 |
| 16 | 545 11 27-02 | DEKSEL | Cover - Air Box Filter | 1 |
| 17 | 587 73 05-01 | STICKER | Decal - Choke | 1 |
| 18 | 545 08 18-55 | CARBURETTOR KIT | Bulb - Purge (walbro 188-16) | 1 |
| 19 | 545 08 18-32 | PAKKINGSET | Gasket (Ref.#40) | 1 |
| 20 | 545 08 18-32 | PAKKINGSET | O-Ring (Ref.#40) | 1 |
| 21 | 545 08 18-64 | KIT PISTON CONN ROD F 25CC CHR | "Kit - Piston / Connecting Rod (Incl. 22,23,24)" | 1 |
| 22 | 588 27 30-01 | ZUIGERVEER | Ring - Piston | 1 |
| 23 | 530 01 51-62 | BORGCLIP | Retainer - Wrist Pin | 1 |
| 24 | 545 08 18-65 | DRIJFSTANG COMPL. | Kit - Assy. Connecting Rod | 1 |
| 25 | 530 03 92-29 | ONTSTEKING MODULE | Module - Ignition | 1 |
| 26 | 530 01 63-57 | SCREW | Screw | 1 |
| 27 | 545 12 76-01 | DRAAGSTEL | Assy - Wire Harness | 1 |
| 28 | 545 08 18-32 | PAKKINGSET | O-Ring (Ref.#40) | 1 |
| 29 | 530 01 51-49 | RING | Washer | 1 |
| 30 | 530 05 41-15 | VLIEGWIEL | Assy - Flywheel | 1 |
| 31 | 530 01 59-41 | KLEM | Retainer - Crankshaft | 1 |
| 32 | 530 05 57-28 | LAGER | Bearing - Outer | 1 |
| 33 | 530 01 92-64 | AFDICHTING | Seal | 1 |
| 34 | 530 03 21-25 | LAGER | Bearing - Inner | 1 |
| 35 | 587 79 12-01 | CARTER COMPL. | "Assy - Crankcase (Incl. 32,33,34)" | 1 |
| 36 | 579 01 27-01 | KIT | "Assy - Crankcase & Crankshaft (Incl. 31,35)" | 1 |
| 37 | 545 08 18-32 | PAKKINGSET | "O-Ring (Ref.#38,40)" | 1 |
| 38 | 530 05 79-54 | PLUG | Assy - Rear Plug (Incl. 37) | 1 |
| 39 | 530 01 63-86 | SCREW | Screw | 1 |
| 40 | 545 08 18-32 | PAKKINGSET | "Kit - Gasket (Incl. 3, 19,20,28,37)" | 1 |