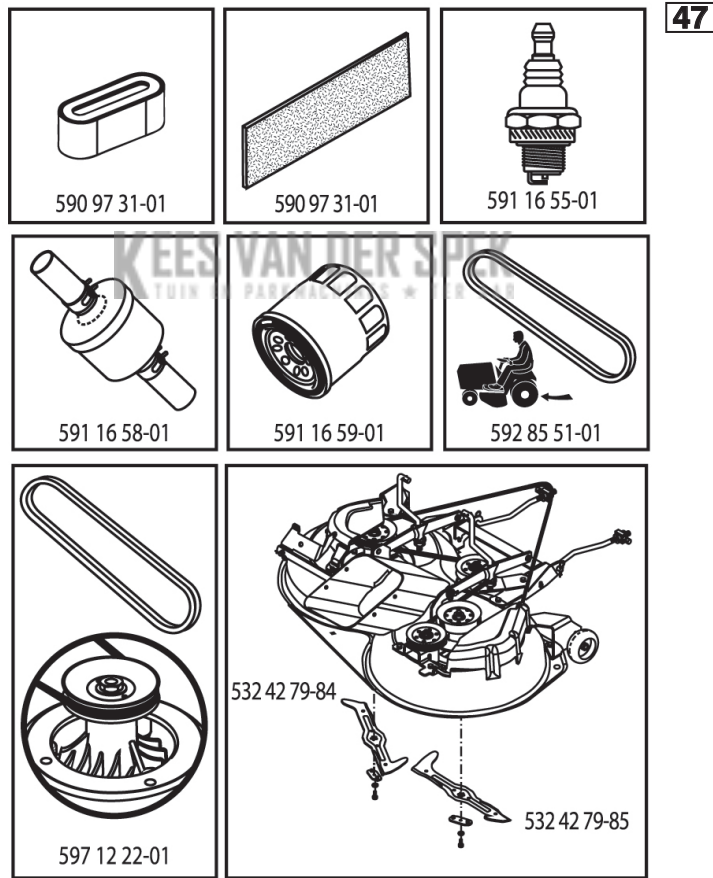


ILLUSTRATED PARTS LIST

MODEL NO. 96051018900

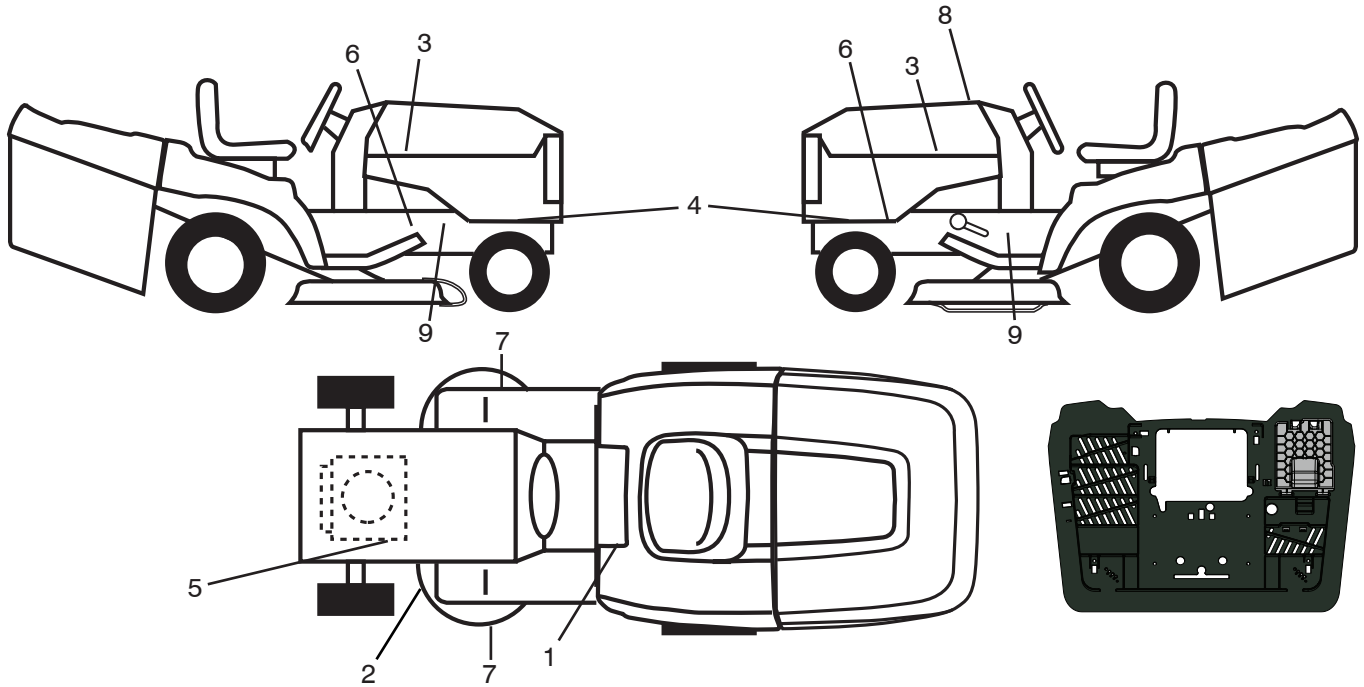
CUSTOMER CATALOG NO. TC 138L

PRODUCT NO. 960 51 01-89



598681401

**TRACTOR - - MODEL NO. TC 138L (96051018900), PRODUCT NO. 960 51 01-89
DECALS 27**

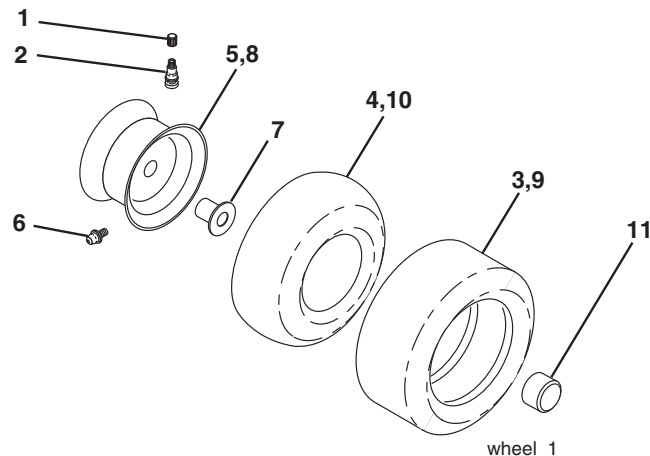


| KEY NO. | PART NO. | DESCRIPTION |
|---------|--------------|----------------------------|
| 1 | 586 04 73-02 | Decal, Saddle Warn |
| 2 | 592 98 02-01 | Decal, V-Belt, Sch |
| 3 | 501 13 14-01 | Decal, Hood RH/LH |
| 4 | 598 49 52-01 | Decal, Side Panel |
| 5 | 581 57 97-01 | Decal, Engine |
| 6 | 581 57 96-01 | Decal, Chassis Hot Muffler |
| 7 | 581 57 91-01 | Decal, Cut Finger |
| 8 | 598 68 14-01 | Decal, Replacement |
| 9 | 581 57 98-01 | Decal, Warning |

KEES VAN DER
TUIN EN PARKMACHINES

| KEY NO. | PART NO. | DESCRIPTION |
|---------|--------------|----------------------------|
| -- | 532 44 27-44 | Decal, Battery Door |
| -- | 532 44 18-02 | Pad Footrest RH |
| -- | 532 44 14-09 | Pad Footrest LH |
| -- | 114 20 72-20 | Manual Operator's (Euro) |
| -- | 114 20 73-10 | Manual Operator's (Scan) |
| -- | 114 20 74-50 | Manual Operator's (E-Bloc) |
| -- | 114 20 75-40 | Manual Operator's (Baltic) |
| -- | 114 20 77-53 | Manual Operator's (Ukr) |
| -- | 114 20 76-76 | Manual Operator's (Turk) |

WHEELS & TIRES

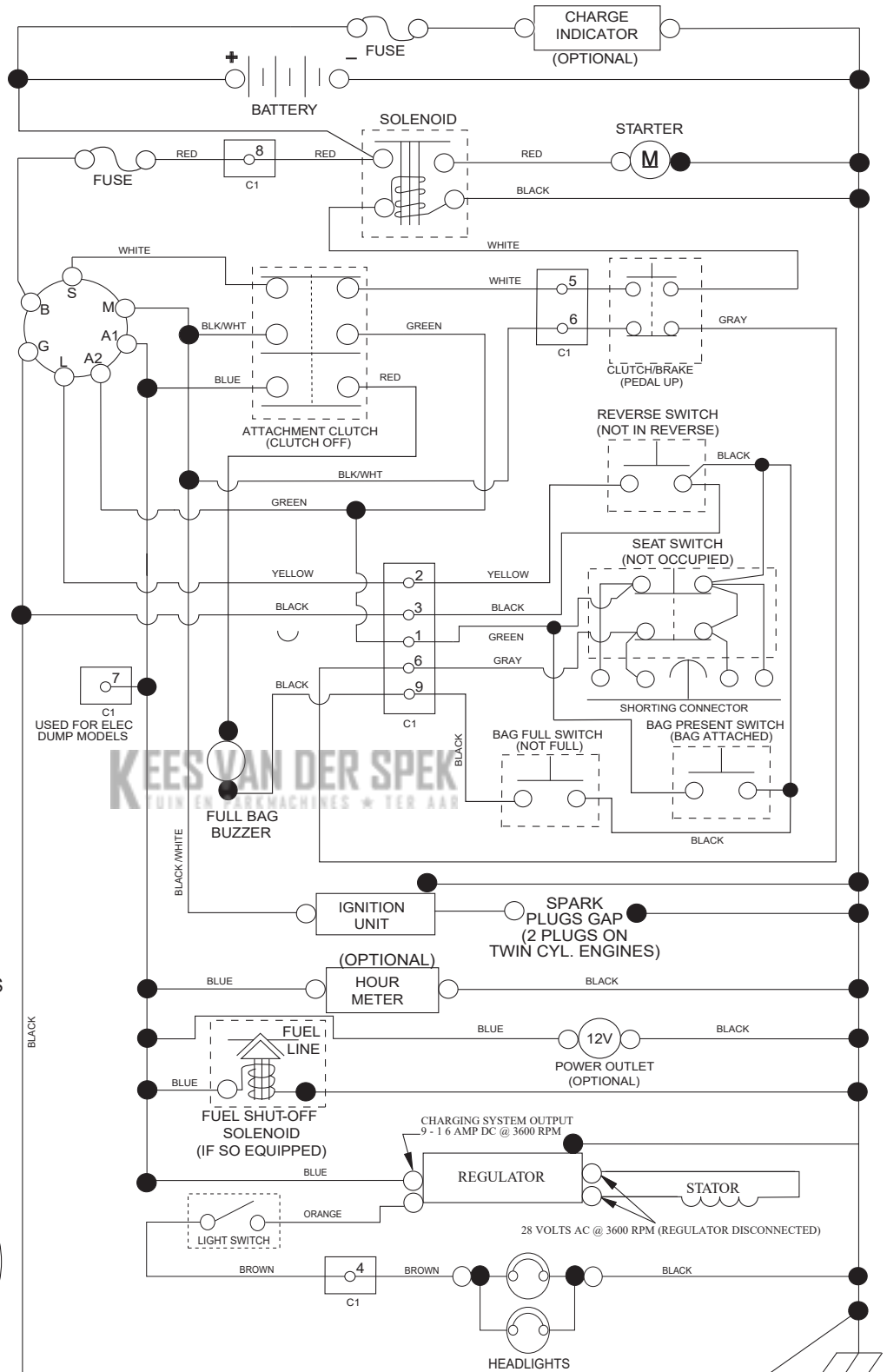


| KEY NO. | PART NO. | DESCRIPTION |
|---------|--------------|-----------------------------|
| 1 | 532 05 91-92 | Cap Valve Tire |
| 2 | 532 06 51-39 | Stem Valve |
| 3 | 532 10 62-22 | Tire Front 15 x 6-6 |
| 4 | 532 05 99-04 | Tube Inner Front #35060 |
| 5 | 532 13 83-36 | Rim Asm 6" Front |
| 6 | 532 00 02-78 | Fitting Grease |
| 7 | 532 00 90-40 | Bearing Flange |
| 8 | 532 13 83-37 | Rim Asm 8" Rear |
| 9 | 532 12 46-35 | Tire Rear 18 x 8.5-8 |
| 10 | 532 00 71-52 | Tube Rear 9.5 x 8 |
| 11 | 532 17 50-39 | Cap Axle |
| -- | 532 14 43-34 | Sealant, Tire (10 oz. Tube) |

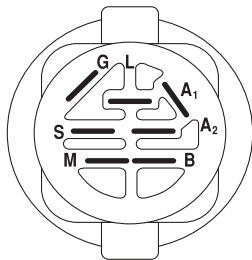
NOTE: All component dimensions given in U.S. inches
1 inch = 25.4 mm

TRACTOR - - MODEL NO. TC 138L (96051018900), PRODUCT NO. 960 51 01-89 SCHEMATIC **38**

SCH17R



NOTE
YOUR TRACTOR IS EQUIPPED WITH A SPECIAL ALTERNATOR SYSTEM. THE LIGHTS ARE NOT CONNECTED TO THE BATTERY, BUT HAVE THEIR OWN ELECTRICAL SOURCE. BECAUSE OF THIS, THE BRIGHTNESS OF THE LIGHTS WILL CHANGE WITH ENGINE SPEED. AT IDLE THE LIGHTS WILL DIM. AS THE ENGINE SPEED IS INCREASED, THE LIGHTS WILL BECOME THEIR BRIGHTEST.

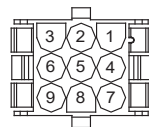


IGNITION SWITCH

| POSITION | CIRCUIT "MAKE" |
|--------------|----------------|
| OFF | M+G+A1 |
| RUN/OVERRIDE | B+A1 |
| RUN | B+A1 L+A2 |
| START | B + S + A1 |



CHASSIS HARNESS CONNECTOR (C1) (MATING SIDE)



DASH HARNESS CONNECTOR (C1) (MATING SIDE)

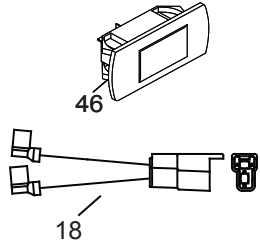
WIRING INSULATED CLIPS
NOTE: IF WIRING INSULATED CLIPS WERE REMOVED FOR SERVICING OF UNIT, THEY SHOULD BE RE-INSTALLED TO PROPERLY SECURE YOUR WIRING.

NON-REMOVABLE CONNECTIONS
REMOVABLE CONNECTIONS

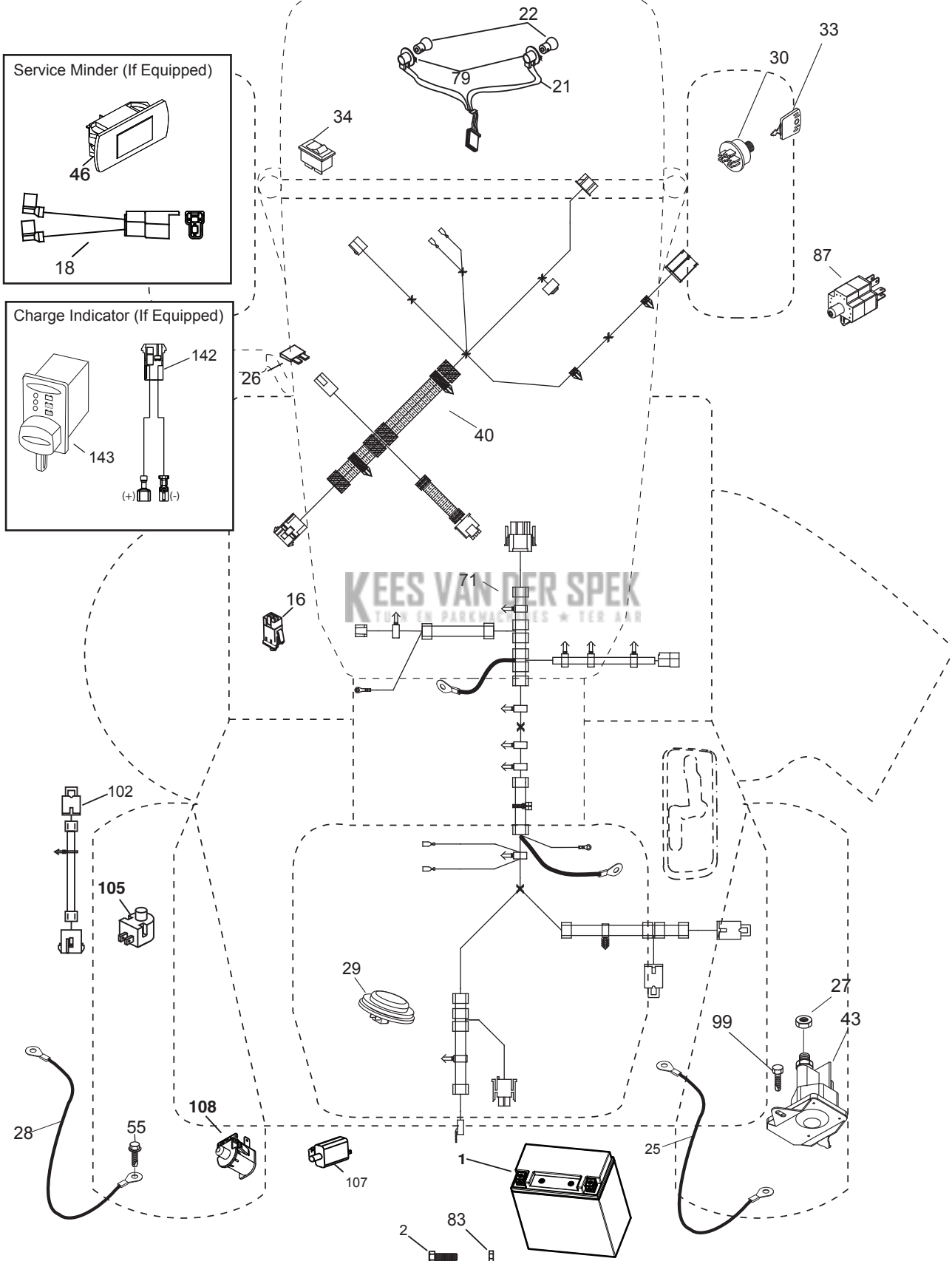
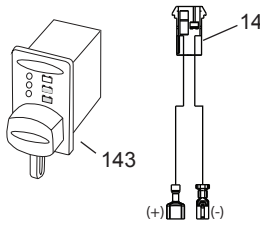
TRACTOR - - MODEL NO. TC 138L (96051018900), PRODUCT NO. 960 51 01-89
 ELECTRICAL **32**

TC03S

Service Minder (If Equipped)



Charge Indicator (If Equipped)



KEES VAN DER SPEK
 TILLEN EN PARKMA
 TILLEN EN PARKMA TILLEN EN PARKMA

**TRACTOR - - MODEL NO. TC 138L (96051018900), PRODUCT NO. 960 51 01-89
ELECTRICAL 32**

| KEY NO. | PART NO. | DESCRIPTION |
|----------------|-----------------|------------------------------|
| 1 | 532 43 71-57 | Battery |
| 2 | 874 76 04-12 | Bolt, Hex, 1/4-20 unc x 3/4 |
| 16 | 532 17 61-38 | Switch Interlock |
| 21 | 532 40 02-52 | Harness Asm Light w/4152J |
| 22 | 532 00 41-52 | Bulb Light #1156 |
| 25 | 581 48 98-01 | Cable Battery Red |
| 26 | 532 17 51-58 | Fuse |
| 27 | 596 13 36-01 | Locknut, KEPS 1/4-20 |
| 28 | 581 48 98-02 | Cable Ground Black |
| 29 | 532 40 15-45 | Switch Seat |
| 30 | 532 19 33-50 | Switch Ignition |
| 33 | 532 41 19-35 | Key/Chain |
| 34 | 532 11 07-12 | Switch Light |
| 40 | 532 42 10-02 | Harness Ignition Dash |
| 43 | 582 04 28-02 | Solenoid |
| 46 | 594 91 91-01 | Hourmeter, Srvminder, Rect |
| 55 | 817 06 05-12 | Screw 5/16-18 x 3/4 |
| 71 | 532 44 08-20 | Harness Chassis |
| 79 | 532 17 52-42 | Socket Asm. |
| 83 | 594 08 65-01 | Nut, Square M6 x 1 |
| 87 | 532 42 10-60 | Switch Railmount |
| 99 | 817 00 05-12 | Screw 5/16-18 3/4 |
| 102 | 532 44 12-62 | Harness Jumper |
| 105 | 532 40 75-68 | Switch Reverse |
| 107 | 532 18 03-79 | Switch Full Bagger Indicator |
| 108 | 532 42 10-62 | Switch Snapmount |

NOTE: All component dimensions given in U.S. inches
1 inch = 25.4 mm

**TRACTOR - - MODEL NO. TC 138L (96051018900), PRODUCT NO. 960 51 01-89
CHASSIS AND ENCLOSURES **39****

| KEY NO. | PART NO. | DESCRIPTION | KEY NO. | PART NO. | DESCRIPTION |
|---------|--------------|------------------------------------|---------|--------------|----------------------------------|
| 3 | 581 05 63-01 | Logo | 217 | 532 40 91-67 | Rod Pivot Hood |
| 5 | 532 43 89-64 | Dash | 218 | 532 19 63-95 | X-Piece Hood Stop |
| 14 | 532 44 12-67 | Hood | 228 | 593 82 40-01 | Stud w/"D" Anti-Rotation |
| 15 | 532 44 14-28 | Lens LH | 235 | 596 56 42-01 | Spacer Fender CLR Zn |
| 18 | 532 44 13-68 | Grille | 236 | 873 93 05 00 | Nut Center Lock 5/16-18 unc |
| 25 | 532 44 14-27 | Lens RH | 238 | 532 44 13-74 | Trim |
| 34 | 580 91 09-01 | Plate Engine | 239 | 532 40 48-83 | Clip Tinnerman |
| 36 | 817 06 05-12 | Screw 5/16-18 x 3/4 | 282 | 532 41 41-10 | Clip Retainer |
| 37 | 532 44 13-69 | Fender | 283 | 532 44 05-31 | Console Deck Lift |
| 52 | 596 04 05-01 | Nut Lock Hex PRVL 5/16-18 | 284 | 598 70 58-01 | Console Shift RH |
| 62 | 596 72 82-01 | Bolt Carri 3/8-16 x 1" Gr. 5 | 287 | 817 60 04-06 | Screw Hex Washhead 1/4-20 x 3/8 |
| 68 | 596 03 07-01 | Screw Hexagon 5/16-18 x 1/2 | 297 | 532 40 66-65 | Insert Reflective LH |
| 118 | 596 56 53-01 | Washer 3/8 x 0.08 in ST CLR Zinc | 303 | 589 00 76-02 | Shield, Lower, LH, 30Deck/CRD1&2 |
| 119 | 596 32 26-01 | Nut.Crownlock.3/8-16 unc | 304 | 589 41 27-02 | Shield , Lower, RH, CRD 1/CRD2 |
| 130 | 596 32 17-01 | Screw #10 x 0.750 BOS Thread | | | Fender |
| 137 | 532 40 75-90 | Bumper Dash | 307 | 587 52 74-01 | Shield Upper RH, Endsht, CRD, G1 |
| 150 | 532 40 66-62 | Air Duct | 308 | 532 17 18-77 | Bolt 5/16-18 unc x 3/4 |
| 151 | 532 40 78-07 | Bracket Pivot | 309 | 501 18 83-01 | Backplate |
| 152 | 532 19 95-35 | Shield Browning | 310 | 532 44 54-28 | Bracket Hangbar Bag LH |
| 159 | 817 00 06-12 | Screw Hxwsh Thdrl 3/8-16 x 3/4 Bl. | 311 | 532 44 54-30 | Bracket Hangbar Bag RH |
| 162 | 596 13 41-01 | Screw Hex Tap 1/4-15 x 1/2 | 319 | 532 17 46-62 | Bracket Actuator Bagger |
| 175 | 532 19 94-72 | Crossmember | 334 | 532 44 25-37 | Bracket Engine |
| 176 | 532 40 07-76 | Screw 10-24 x 5/8 | 338 | 594 09 39-01 | Bolt Shoulder 5/16-18 x .88 |
| 177 | 532 19 52-28 | Bushing Steering | 339 | 532 43 66-41 | Lever Bagger Full |
| 180 | 581 18 71-01 | Chassis | 340 | 532 44 09-31 | Door Battery Tray |
| 182 | 532 40 71-76 | Dash Lower | 341 | 582 06 08-01 | Latch Batter Tray |
| 183 | 595 30 57-01 | Screw.Hexagon.5/16-18 x 1-1/4 | 342 | 582 82 68-02 | Support Fender |
| 189 | 817 00 05-12 | Screw 5/16-18 x 3/4 | 343 | 532 44 07-49 | Clip |
| 191 | 532 41 65-01 | Insert Reflective RH | 371 | 587 49 45-01 | Shield, Upper LH, CRD, SRD, ISO |
| 194 | 596 13 57-01 | Nut Lock PRVL Torq 5/16-18 x .68 | 375 | 586 90 82-01 | Dash Clip-On Bumper |
| 199 | 532 41 87-39 | Plate Deck Lift | 376 | 589 45 87-01 | Mount Asm Huslt Upper Strng |
| 202 | 532 44 13-42 | Vent Side Hood RH | 377 | 589 45 53-01 | Screw 10 x 1/2 ZN PL |
| 203 | 532 44 13-43 | Vent Side Hood LH | | | |
| 204 | 532 44 13-75 | Vent Top Hood | | | |
| 205 | 532 44 13-44 | Skirt Side RH | | | |
| 206 | 532 44 13-45 | Skirt Side LH | | | |
| 213 | 596 03 05-01 | Bolt Hex HD 5/16-18 unc x 3/4 | | | |
| 214 | 532 19 91-45 | Clip Retainer | | | |

NOTE: All component dimensions given in U.S. inches
1 inch = 25.4 mm

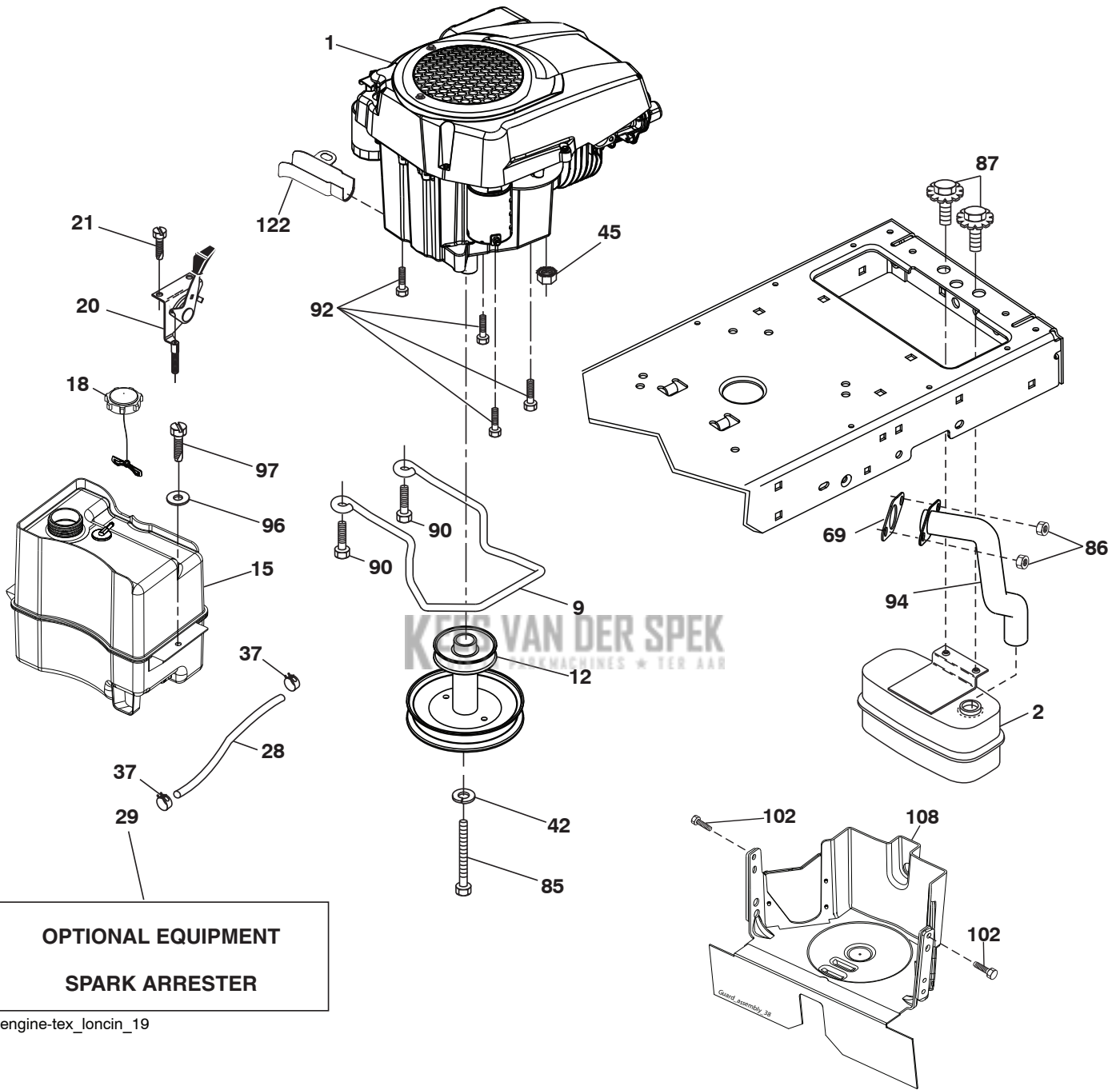
**TRACTOR - - MODEL NO. TC 138L (96051018900), PRODUCT NO. 960 51 01-89
DRIVE **40****

| KEY NO. | PART NO. | DESCRIPTION | KEY NO. | PART NO. | DESCRIPTION |
|---------|--------------|---|---------|--------------|---------------------------------|
| 1 | ----- | Transaxle, Tufftorq K46DC (448355) (Order parts from transaxle manufacturer.) | 189 | 532 43 36-11 | Bellcrank Ground Drive |
| 2 | 532 12 35-83 | Key Square | 195 | 580 45 69-01 | Bracket Rod Brake |
| 6 | 532 12 40-28 | Bushing Snap | 203 | 596 20 41-01 | Washer 11/32 x 11/16 x 14 |
| 15 | 596 56 53-01 | Washer 3/8 x 0.08 in ST CLR Zinc | 205 | 532 12 17-48 | Washer 25/32 x 1-5/8 x 16 Ga. |
| 17 | 532 43 62-27 | Spring, Brake | 221 | 532 40 31-87 | Retainer Spring |
| 22 | 532 44 32-46 | Rod Shift | 226 | 532 40 15-64 | Bracket Mount Torque |
| 23 | 532 14 08-45 | Knob | 227 | 596 13 59-01 | Bolt Hex 5/16-18 x 3/4 CLR.Zinc |
| 29 | 532 43 58-81 | Rod, Brake | 263 | 817 00 06-12 | Screw Thdr 3/8-16 x 3/4 |
| 33 | 812 00 00-01 | Ring E | 268 | 596 88 78-01 | Guard Muffler B&S OHV |
| 35 | 596 87 48-01 | Rod Control Park TXLT CLR Zinc | 275 | 596 13 54-01 | Washer Plain 13/32 x 1 CLR Zinc |
| 37 | 532 18 89-67 | Washer Hardened | 279 | 593 89 84-01 | Link & Stud-Link.Subasm |
| 38 | 532 16 96-13 | Nyliner Snap In | 280 | 596 03 99-01 | Washer Plain 11/32 x 5/8 CLR |
| 42 | 532 00 88-83 | Cover, Foot Pedal | 309 | 532 16 55-81 | Plate Fstnr. Cross |
| 49 | 596 13 62-01 | Bolt Cup Head 3/8-16 x 3/4 | 311 | 532 16 98-45 | Washer Nylon |
| 50 | 532 19 43-27 | Idler Flat | 312 | 532 16 56-14 | Hub Tapered |
| 51 | 873 90 06-00 | Lock Nut 3/8-16 | 313 | 596 04 07-01 | Bolt Hex.1/4-20 x 1 |
| 52 | 532 19 43-26 | Idler V-Groove | 314 | 532 44 47-13 | Keeper Belt |
| 56 | 592 85 51-01 | V-Belt, Drive | 315 | 817 58 05-20 | Screw Thdrol 5/16-18 x 1.25 |
| 61 | 532 43 77-88 | Pulley Transaxle | 319 | 532 43 67-94 | Spacer Transaxle |
| 64 | 532 19 62-00 | Shaft Asm. Pedal Brake Control | 320 | 532 18 76-90 | Washer Spacer |
| 73 | 874 49 05-60 | Bolt Hex 5/16-18 x 3.75 | 328 | 532 43 57-58 | Shaft Shift Front |
| 90 | 532 44 36-05 | Keeper Belt Clutching | 330 | 532 16 95-93 | Washer Nyliner |
| 99 | 532 44 39-47 | Rod Spring Bypass | 331 | 532 44 36-06 | Hub Shift |
| 103 | 596 43 63-01 | Nut Hex 5/16-18 x 0.577" Gr. 5 Zn | 333 | 532 17 08-68 | Washer Spring Wave |
| 116 | 596 13 57-01 | Nut Lock PRVL Torq 5/16-18 x .68 | 335 | 532 19 95-34 | Idler V Pulley Grnd. Dr. |
| 125 | 817 00 05-12 | Screw 5/16-18 x 3/4 | 337 | 532 43 59-37 | Bracket Support Shift |
| 126 | 596 21 88-01 | Washer 11/32 x 1 x 1/8 | 339 | 532 43 68-67 | Strap Torque |
| 140 | 596 02 98-01 | Spring Lock Washer Square Ends | 348 | 532 44 36-07 | Arm Clevis Rod |
| 141 | 596 03 98-01 | Washer 9/32 x 3/4 x 10 Ga. | 350 | 532 44 50-20 | Spring Torsion |
| 143 | 596 03 07-01 | Screw Hexagon 5/16-18 x 1/2 | 351 | 532 43 69-98 | Bracket Deck Sway |
| 159 | 596 02 95-01 | Pin Cotter 1/8 Dia. x 3/4 | 352 | 532 43 58-19 | Bracket Idler |
| 161 | 532 10 57-09 | Spring, Return, Clutch | 353 | 532 43 65-77 | Bracket Idler RH |
| 165 | 532 19 62-12 | Nyliner | 354 | 594 09 41-01 | Bolt, Hex, 5/16-18 x 5/8 |
| 166 | 532 42 91-64 | Nut Push .625 | 355 | 532 43 56-69 | Bracket |
| 167 | 532 40 52-57 | Latch Brake Parking | 356 | 593 89 84-03 | Link Shift Cross Shaft |
| 174 | 532 19 72-89 | Nut Push | 360 | 532 44 47-14 | Nut 5/16-24 |
| 175 | 532 44 18-23 | Shaft Asm Shift | 362 | 532 43 68-12 | Idler Flat |
| 177 | 587 22 53-01 | Pin, Cotter, Locking, Bowtie, 1 In. | 364 | 532 44 30-32 | Bracket Idler |
| 183 | 532 13 70-57 | Spacer Axle | | | |
| 184 | 532 41 14-84 | Handle Park Brk. | | | |
| 185 | 872 11 06-22 | Bolt 3/8-16 x 2-3/4 | | | |
| 186 | 532 19 43-21 | Spacer Retainer | | | |
| 188 | 582 21 70-01 | Link Clutch Ground Drive | | | |

* Parts supplied by manufacturer

NOTE: All component dimensions given in U.S. inches
1 inch = 25.4 mm

TRACTOR - - MODEL NO. TC 138L (96051018900), PRODUCT NO. 960 51 01-89
 ENGINE **24**



**TRACTOR - - MODEL NO. TC 138L (96051018900), PRODUCT NO. 960 51 01-89
ENGINE 24**

| KEY NO. | PART NO. | DESCRIPTION |
|----------------|-----------------|---|
| 1 | 598 69 40-01 | Engine Husqvarna Model No. HV 452CC Engine IPL available separately. |
| 2 | 590 64 53-01 | Muffler |
| 9 | 501 83 26-02 | Keeper Belt Engine |
| 12 | 586 47 85-01 | Pulley Engine |
| 15 | 581 28 99-01 | Tank Fuel |
| 18 | 532 43 02-20 | Cap Fuel |
| 20 | 532 18 38-97 | Control Throttle |
| 21 | 596 32 17-01 | Screw #10 x 0.750 BOS Thread |
| 28 | 532 40 11-37 | Fuel Line |
| 29 | 532 13 71-80 | Spark Arrester Kit |
| 37 | 532 12 34-87 | Clamp Hose |
| 42 | 596 23 89-01 | Washer SLW STD 7/16 |
| 45 | 593 35 64-01 | Nut, Hexagon |
| 69 | 590 86 35-01 | Gasket |
| 85 | 501 60 65-01 | Bolt Hex 7/16-20 x 4 Gr. 5 |
| 86 | 532 18 43-62 | Nut Hex Flange |
| 87 | 532 17 18-77 | Bolt 5/16-18 unc x 3/4 w/sems |
| 90 | 817 00 06-16 | Screw 3/8-16 x 1 |
| 92 | 817 12 06-16 | Screw, 3/8-16 x 1 Smgml |
| 94 | 590 86 47-01 | Exhaust Tube |
| 96 | 596 13 53-01 | Washer 9/32 x 7/8 x 16 Ga. |
| 97 | 817 67 04-12 | Screw 1/4-20 x 3/4 |
| 102 | 593 33 76-01 | Screw, 5/16-18 x 1.00, HWH, TRS |
| 108 | 587 17 95-10 | Cover, Pulley, Engine, W/Shield |
| 122 | 532 42 19-22 | Extension, Drain, Oil |

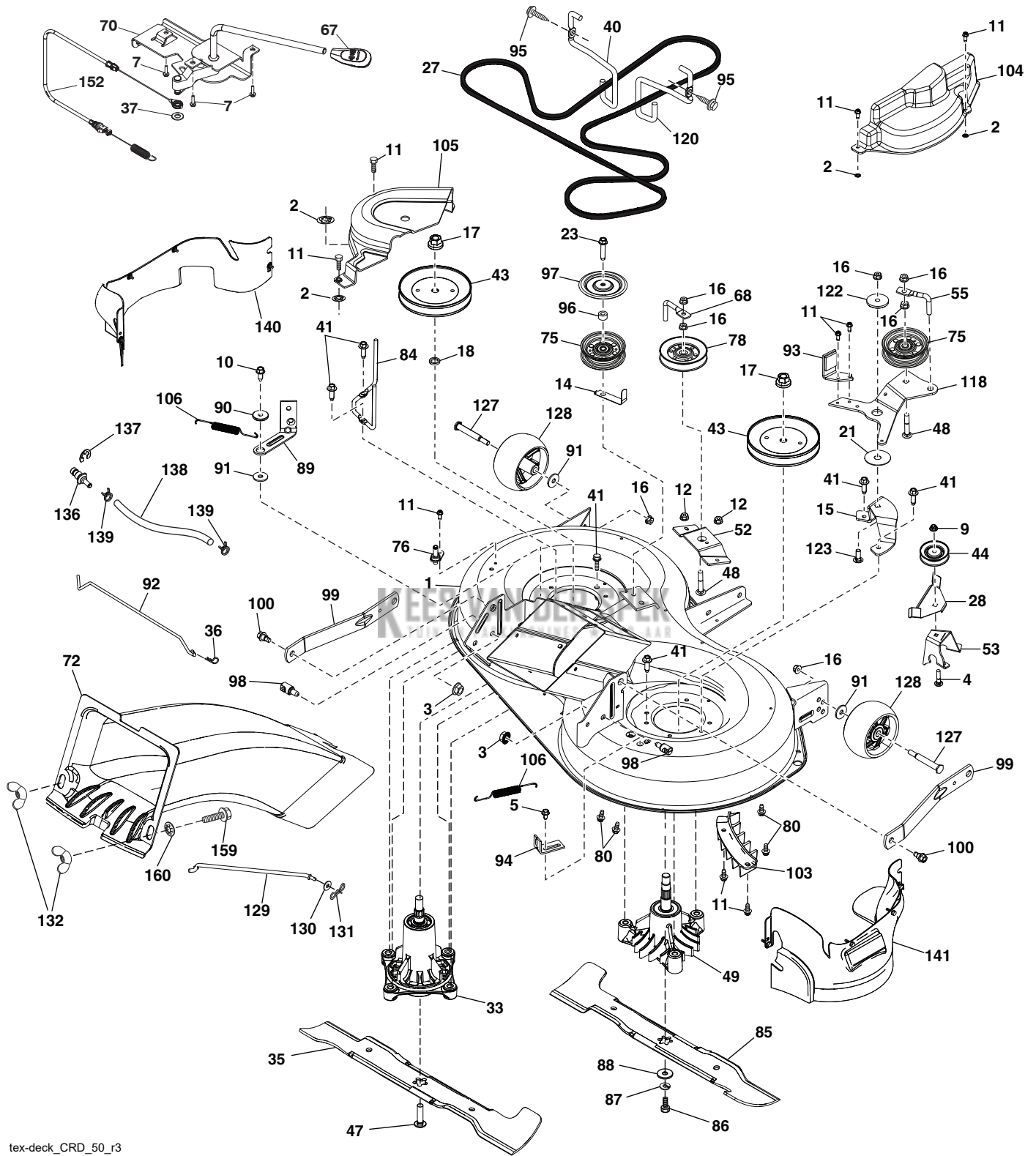
NOTE: All component dimensions given in U.S. inches
1 inch = 25.4 mm

TRACTOR - - MODEL NO. TC 138L (96051018900), PRODUCT NO. 960 51 01-89
STEERING ASSEMBLY 41

| KEY NO. | PART NO. | DESCRIPTION |
|---------|--------------|--|
| 1 | 597 86 61-01 | Wheel, Steering Kit |
| 2 | 532 41 81-68 | Axle Asm. |
| 4 | 532 40 30-87 | Spindle Asm., LH |
| 5 | 532 40 30-88 | Spindle Asm., RH |
| 6 | 532 00 62-66 | Washer Thrust .75 x 1.230 |
| 7 | 532 12 17-48 | Washer 25/32 x 1-5/8 x 16 Ga. |
| 8 | 812 00 00-29 | Ring, Klip #T5304-75 |
| 9 | 532 12 12-32 | Cap, Spindle |
| 13 | 532 12 17-49 | Washer 25/32 x 1-1/4 x 16 Ga. |
| 14 | 596 23 87-01 | Washer Spring Lock .381 ID x .680 |
| 15 | 873 54 06-00 | Nut, Crown Lock 3/8-24 unf |
| 16 | 585 86 92-02 | Steering Shaft |
| 19 | 532 19 47-29 | Plate Steering |
| 20 | 532 44 14-25 | Boot, Steering |
| 21 | 532 18 67-37 | Adapter, Wheel Steering |
| 22 | 585 02 98-02 | Bearing |
| 26 | 594 94 91-01 | Insert, Wheel Steering |
| 27 | 596 93 34-01 | Washer Plain |
| 28 | 817 00 06-12 | Screw 3/8-16 x 3/4 |
| 33 | 596 23 88-01 | Washer Lock 5/16 Sqr End Zn |
| 35 | 532 19 47-32 | Gear, Sector Plate |
| 45 | 596 04 00-01 | Washer 11/32 x 2-3/8" CLR.Zn |
| 53 | 532 18 89-67 | Washer Hardened .793 x 1.637 x .060 |
| 58 | 532 19 47-47 | Bolt Shoulder Sector Pivot CFM |
| 59 | 532 19 47-48 | Washer Thrust Sector Steering |
| 60 | 873 97 10-00 | Nut Flange Lock 5/8-11 |
| 61 | 597 04 78-02 | Linkage Asm Draglink LH Raw |
| 62 | 597 04 79-02 | Linkage Asm Draglink RH Raw |
| 63 | 817 00 05-12 | Screw 5/16-18 x 3/4 |
| 64 | 532 19 98-49 | Retainer Clip Spring Steering |
| 66 | 871 02 07-48 | Bolt Hex Fghd 7/16-14 x 3 Serr |
| 67 | 532 19 47-37 | Bushing PM Front Axle |
| 68 | 873 90 07-00 | Nut Lock Flange 7/16-14 Gr. 5 |
| 69 | 532 19 91-62 | Washer 1.5 x .505 x .118 |
| 70 | 585 33 88-01 | Bracket Deck Susp Front |
| 71 | 532 19 07-52 | Shaft Extension Steering |
| 72 | 596 03 97-01 | Bolt, Hex Head, 5/16-18 unc x 4" Gr. 5 |
| 74 | 532 00 33-66 | Bearing Col Strg Blk |
| 75 | 580 68 37-01 | Bolt, Hex, 5/16-18 unc x 4 Gr. 5 |
| 76 | 580 68 36-01 | Screw Head Sock |
| 122 | 532 44 49-62 | Cap Gear Sector |
| -- | 589 31 60-01 | Kit ID Box (Includes Key#'s 1, 20, 21, 26, 33, 45, 71, & 72). This kit also includes bagger parts (532 43 66-41 Full Bagger Lever); refer to pages 6 & 7 in this IPL, (873 90 04-00 Nut Hex Flange 1/4-20 unc), (532 42 16-14 Spring Latch Bagger), (817 49 04-12 Screw 1/4-20 x 3/4); refer to pages 18 & 19 in this IPL. |

NOTE: All component dimensions given in U.S. inches
1 inch = 25.4 mm

TRACTOR - - MODEL NO. TC 138L (96051018900), PRODUCT NO. 960 51 01-89
 MOWER DECK **44**



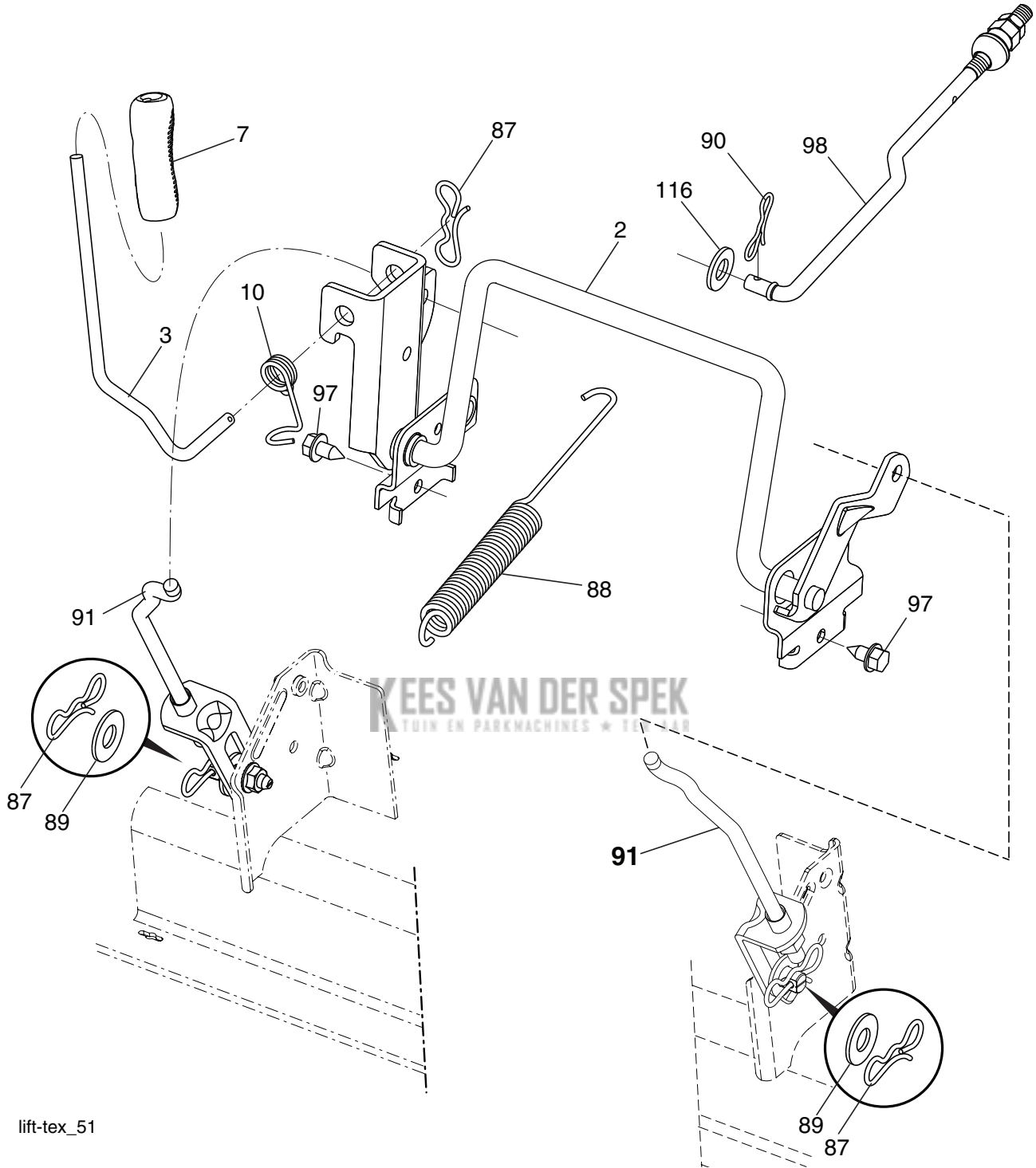
tex-deck_CRD_50_r3

**TRACTOR - - MODEL NO. TC 138L (96051018900), PRODUCT NO. 960 51 01-89
MOWER DECK 44**

| KEY NO. | PART NO. | DESCRIPTION | KEY NO. | PART NO. | DESCRIPTION |
|---------|--------------|--|---------|--------------|---------------------------------|
| 1 | 592 97 00-01 | SVC Weldment Kit | 84 | 589 67 61-02 | Keeper Belt Mandrel |
| 2 | 532 42 30-62 | Palnut 1/4 | 85 | 532 42 79-85 | Blade |
| 3 | 596 13 57-01 | Nut Lock PRVL Torq 5/16-18 x .68 | 86 | 532 18 17-13 | Bolt 3/8-24 x 1.50 |
| 4 | 872 11 05-10 | Bolt Carriage 5/16-18 x 1-1/4 Gr. 5 | 87 | 596 23 87-01 | Washer Spring Lock 381ID x .680 |
| 5 | 817 00 05-10 | Bolt 5/16-18 | 88 | 532 14 02-96 | Washer Hard Blade |
| 7 | 596 32 17-01 | Screw #10 x 0.750 BOS Thread | 89 | 532 43 81-24 | Arm Brake |
| 9 | 585 69 13-01 | Nut Hex Flg Nylock | 90 | 532 19 90-92 | Space Retainer |
| 10 | 817 00 06-16 | Screw 3/8-16 x 1 | 91 | 596 13 49-01 | Washer Plain 3/8 x 7/8 |
| 11 | 532 13 77-29 | Screw 1/4-20 x 5/8 | 92 | 592 85 57-01 | Rod Brake 97 CRD Link |
| 12 | 594 94 44-01 | Nut Hexagon Flange 5/16-18 | 93 | 592 85 49-02 | Arm Brake |
| 14 | 532 15 60-85 | Keeper Belt Idler | 94 | 532 19 72-50 | Bracket Clutch Cable |
| 15 | 592 85 47-02 | CRD Idler Arm Mount Bracket | 95 | 817 00 06-12 | Screw Hexwsh 3/8-16 x 3/4 |
| 16 | 873 90 06-00 | Nut 3/8-16 | 96 | 532 40 02-71 | Spacer |
| 17 | 596 13 48-01 | Nut Hex 9/16-18 x 1.010 | 97 | 532 18 20-61 | Shield Idler Mower |
| 18 | 532 18 76-90 | Washer Spacer Mandrel | 98 | 593 82 40-01 | StudW/"D" Anti-Rotation |
| 21 | 532 17 85-15 | Washer Flat Hardened | 99 | 532 19 51-86 | Arm Suspension |
| 23 | 596 56 40-03 | Bolt Hex 3/8-16 x 1.75 CLR Zinc | 100 | 532 19 65-39 | Bolt Shoulder |
| 27 | 597 12 22-01 | Belt 97 Manual | 103 | 532 43 69-92 | Guard Front Vent |
| 28 | 592 85 56-02 | Keeper 97 CRD Angled Idler | 104 | 592 84 81-01 | Mandrel Cover RH |
| 33 | 587 81 97-01 | Kit, Mandrel, Non Grease, Tall (includes mandrel and bolts) | 105 | 532 43 87-44 | Mandrel Cover LH |
| 35 | 532 42 79-84 | Blade | 106 | 532 19 32-16 | Spring Brake Return |
| 36 | 532 00 44-97 | Retainer Spring 1" Zinc/CAD | 118 | 599 23 63-02 | Arm Clutching |
| 37 | 596 56 53-01 | Washer 3/8 x 0.08 in. ST CLR ZN | 120 | 532 19 72-59 | Keeper Belt Engine RH |
| 40 | 532 19 72-58 | Keeper Belt Engine LH | 122 | 532 16 57-23 | Spacer Retainer Mower |
| 41 | 584 95 39-01 | Bolt Hex WSHRHD .313-1/8 x 1.19 | 123 | 596 98 75-01 | Bolt 3/8x 1-1/4" Gr. 5 CLR ZN |
| 43 | 532 19 74-73 | Pulley Mandrel | 127 | 596 43 44-04 | Bolt Shoulder 3/8-16 x 3-5/8" |
| 44 | 532 19 95-34 | Pulley V-Idler GRND DR Plated | 128 | 589 52 73-01 | Wheel Gauge Rally |
| 47 | 584 30 93-01 | Screw LH Blade 7/16 x 1 | 129 | 532 40 48-51 | Rod Anti Sway |
| 48 | 596 13 63-01 | Bolt, Cup, Head 3/8-16 x 2 | 130 | 596 13 32-01 | Washer 3/32 x 13/16 x 12 Ga. |
| 49 | 532 16 55-79 | Mandrel Asm., CRD, LH, Threads, SVC (includes bearing, housing, shaft, felt washer, nut, bolt, and washers.) | 131 | 532 19 42-08 | Pin Cotter 5/16 Bow Tie Lock |
| 52 | 599 21 07-03 | Bracket 97 CRD Center, Idler | 132 | 532 17 88-99 | Knob Handle |
| 53 | 595 09 81-03 | Bracket V-Idler Bolt Angled | 136 | 532 43 96-39 | Washout Port Hookup |
| 55 | 598 96 92-01 | Clutching, Arm, Keeper, 97CRD | 137 | 812 00 00-29 | Ring Clip |
| 67 | 532 40 30-12 | Handle Clutch Cable | 138 | 532 44 07-43 | Hose 3/8 Long 12" |
| 68 | 598 90 38-02 | Keeper, Belt | 139 | 596 86 74-01 | Clamp Hose 3/8 Clear Zinc |
| 70 | 532 40 12-46 | Clutch Asm Manual | 140 | 501 57 94-01 | Guard Asm LH |
| 72 | 582 03 56-01 | Chute Upper | 141 | 501 57 93-02 | Guard Asm RH |
| 75 | 597 02 50-01 | Pulley Idler Flat CLR ZN | 152 | 532 44 04-88 | Cable Clutch Manual w/Spring |
| 76 | 532 43 96-40 | Washout Port | 159 | 872 14 06-14 | Bolt 3/8-16 unc x 1-3/4 |
| 78 | 532 17 39-02 | Pulley Idler V-Gr. Plated 4.25 | 160 | 532 16 89-37 | Nut Push |
| 80 | 595 90 16-01 | Bolt.Cup 5/16-18 x 3/4.CLR.Zinc | -- | 596 55 13-01 | Replacement Mower Complete |

NOTE: All component dimensions given in U.S. inches
1 inch = 25.4 mm

TRACTOR - - MODEL NO. TC 138L (96051018900), PRODUCT NO. 960 51 01-89
 MOWER LIFT **45**



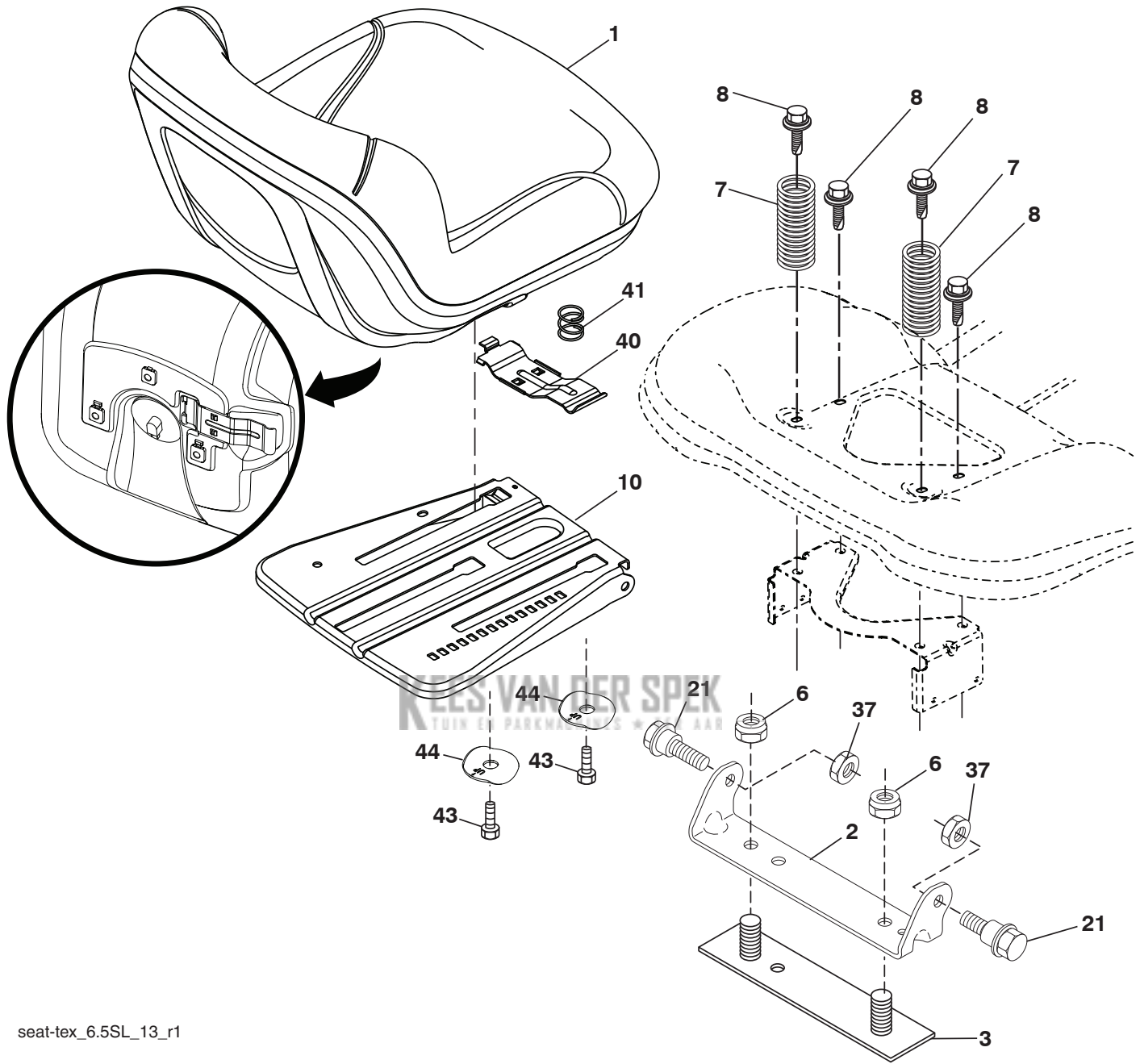
lift-tex_51

| KEY NO. | PART NO. | DESCRIPTION |
|---------|--------------|--------------------------------|
| 2 | 532 43 69-96 | Deck Lift |
| 3 | 594 01 80-01 | Lever Lift Handle |
| 7 | 580 96 23-01 | Grip, Lever |
| 10 | 532 19 63-14 | Spring Torsion |
| 87 | 532 19 42-09 | Pin Cotter 7/16 Bow Tie Lock |
| 88 | 532 44 54-96 | Spring Lift Assist |
| 89 | 819 19 19-12 | Washer 17/32 x 1-3/16 x 12 Ga. |
| 90 | 532 19 42-08 | Pin Cotter 5/16 Bow Tie Lock |

| KEY NO. | PART NO. | DESCRIPTION |
|---------|--------------|----------------------------------|
| 91 | 589 46 48-04 | Link Assy Lift Rear |
| 97 | 596 56 40-01 | Hex Bolt W/Collar 3/8-16 x 0.53 |
| 98 | 581 50 69-06 | Link Assy Front MWR SUSP |
| 116 | 594 97 65-01 | Washer Round 5/32 x 15/16 x .065 |

NOTE: All component dimensions given in U.S. inches
 1 inch = 25.4 mm

**TRACTOR - - MODEL NO. TC 138L (96051018900), PRODUCT NO. 960 51 01-89
SEAT ASSEMBLY 42**



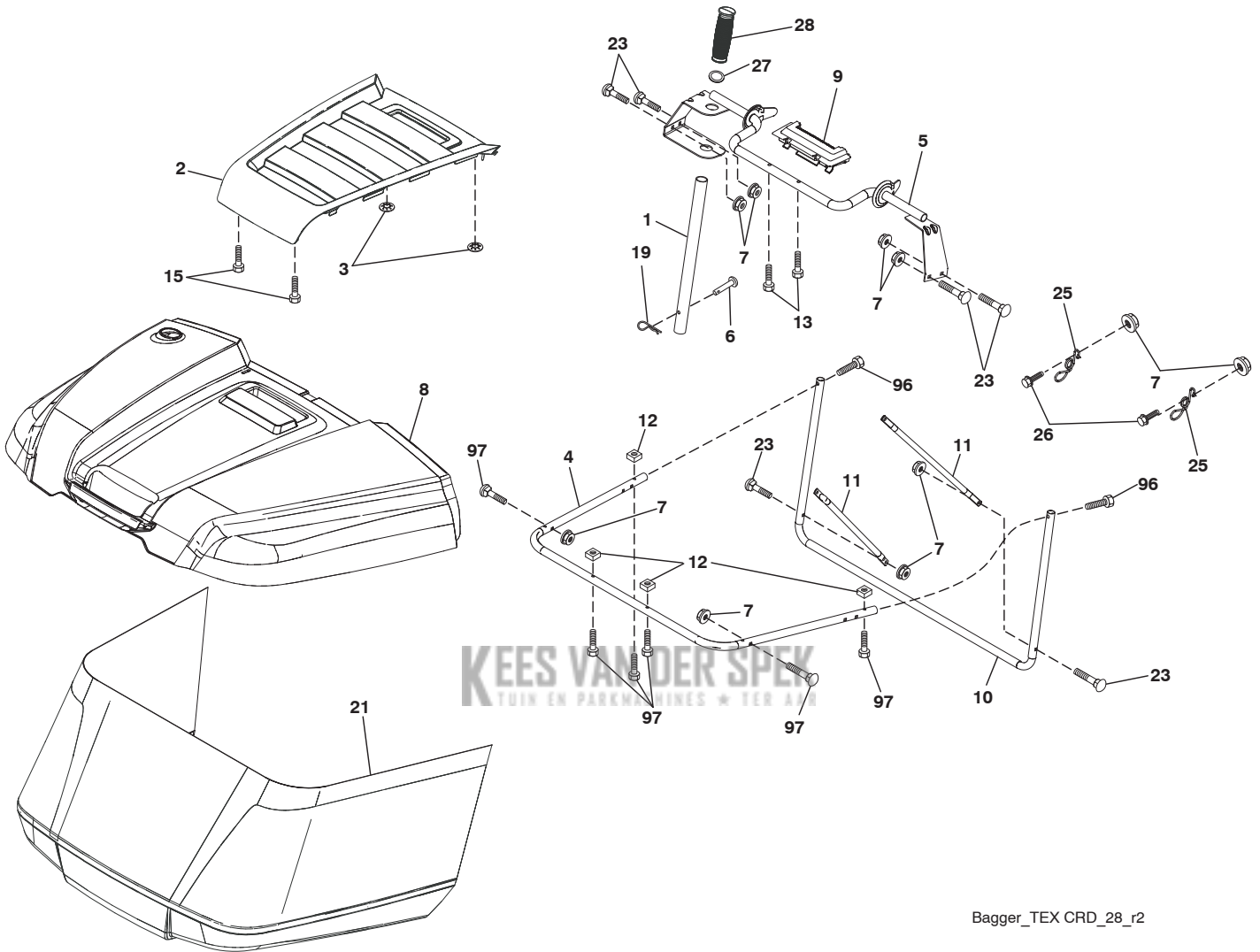
seat-tex_6.5SL_13_r1

| KEY NO. | PART NO. | DESCRIPTION |
|---------|--------------|--------------------------------|
| 1 | 532 43 98-19 | Seat |
| 2 | 532 18 01-66 | Bracket Pivot Fender |
| 3 | 532 14 06-75 | Strap, Asm. Fender |
| 6 | 873 80 06-00 | Nut, Lock w/Ins. 3/8-16 unc |
| 7 | 589 48 35-01 | Spring, Seat Cprsn. |
| 8 | 532 17 18-77 | Bolt 5/16-18 unc x 3/4 w/Sems. |
| 10 | 596 65 74-02 | Pan, Seat PLate |
| 21 | 587 90 78-01 | Bolt, Shoulder 5/16-18 x 5/8 |

| KEY NO. | PART NO. | DESCRIPTION |
|---------|--------------|-----------------------------|
| 37 | 596 58 37-02 | Nut w/Nonmetal INS BLK Zinc |
| 40 | 532 19 76-61 | Handle |
| 41 | 532 19 82-00 | Spring |
| 43 | 874 76 06-12 | Bolt 3/8-16 unc x 3/4 |
| 44 | 501 05 18-01 | Washer, Winged |

NOTE: All component dimensions given in U.S. inches
1 inch = 25.4 mm

TRACTOR - - MODEL NO. TC 138L (96051018900), PRODUCT NO. 960 51 01-89
BAGGER **46**



Bagger_TEX CRD_28_r2

**TRACTOR - - MODEL NO. TC 138L (96051018900), PRODUCT NO. 960 51 01-89
BAGGER 46**

| KEY NO. | PART NO. | DESCRIPTION |
|----------------|-----------------|--------------------------------|
| 1 | 532 42 86-10 | Tube Handle Bagger |
| 2 | 532 44 13-58 | Applique |
| 3 | 532 41 38-08 | Nut Push .156 |
| 4 | 579 78 54-01 | Frame Asm Bagger Top |
| 5 | 532 41 76-32 | Frame Asm Top Bagger |
| 6 | 532 12 68-75 | Rivet Drilled |
| 7 | 873 90 04-00 | Nut Hex Flange 1/4-20 unc |
| 8 | 532 44 12-61 | Cover Bagger |
| 9 | 532 41 76-29 | Insert Handle Bagger |
| 10 | 532 43 67-70 | Frame Front |
| 11 | 532 43 67-71 | Tubing Brace Bagger |
| 12 | 532 42 17-93 | Nut Square 1/4 |
| 13 | 532 42 17-80 | Screw 1/4 x 1.150 |
| 15 | 532 42 18-01 | Screw #8 Dlat Head Drill Tip |
| 19 | 532 19 42-08 | Cotter Pin 5/16 Bow Tie |
| 21 | 532 44 83-06 | Bag Asm |
| 23 | 872 04 04-10 | Bolt Carr. 1/4-20 |
| 25 | 532 42 16-14 | Spring Latch Bagger |
| 26 | 817 49 04-12 | Screw 1/4-20 x 3/4 |
| 27 | 532 42 12-62 | Grommet Rubber |
| 28 | 532 16 57-87 | Grip Handle Black |
| 96 | 501 40 66-01 | Screw Hex Cap 1/4-20 x 1.500 |
| 97 | 590 10 57-01 | Screw Torx Butn HD 1/4-20-1.5" |

NOTE: All component dimensions given in U.S. inches
1 inch = 25.4 mm

KEES VAN DER SPEK
TUIN EN PARKMACHINES ✦ TER AAR