

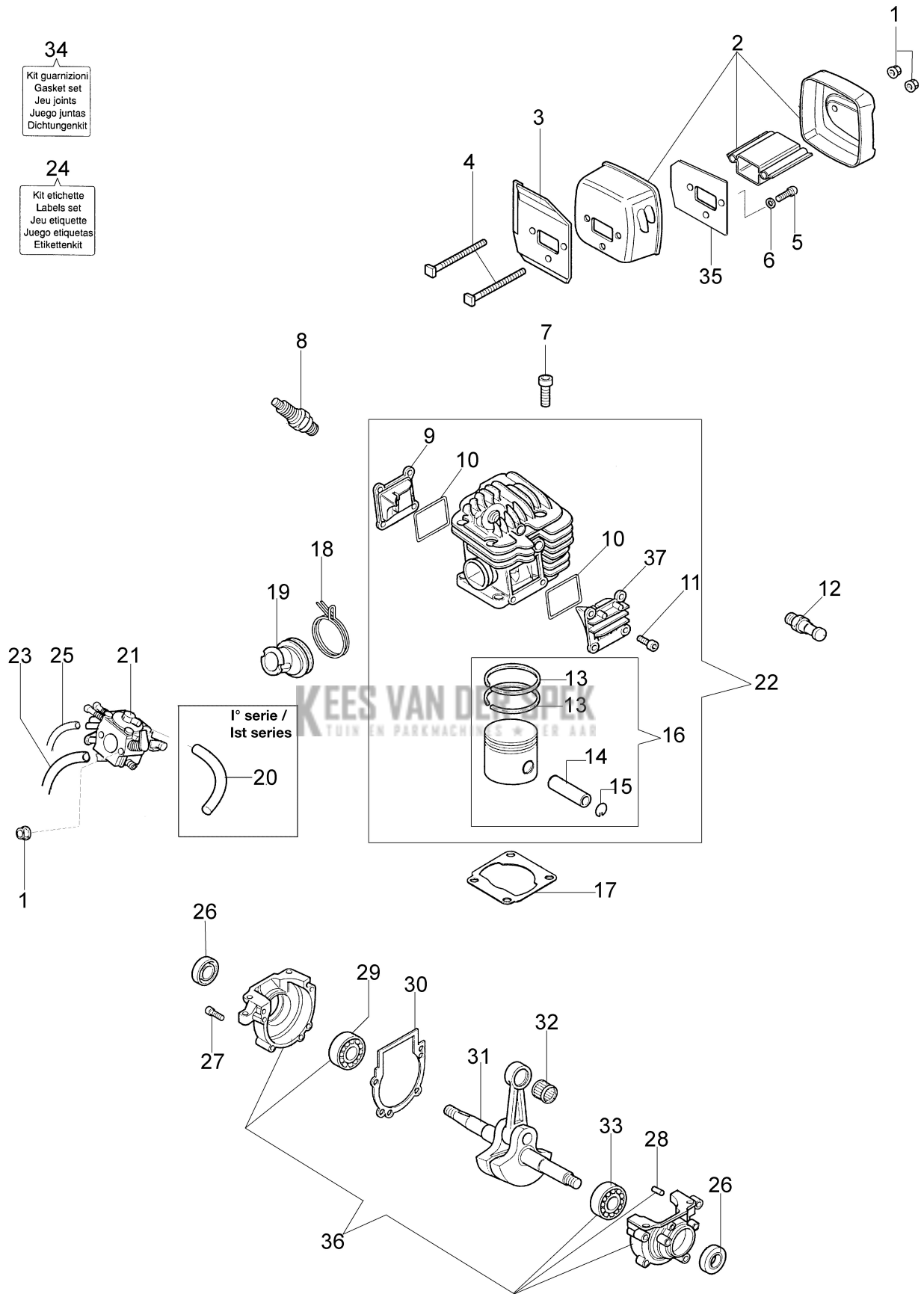
147 Chainsaw



Documenten

Engine

KEES VAN DER SPEK
TUIN EN PARKMACHINES * TER AAR



Illustratie Engine

Ref.Nu	Qty	Part number	Description	Validity from	Validity till	Notes	Bulletin
1	3	3933100R	Nut				
2	1	50072025A	Muffler				
3	1	50070031R	Gasket				
4	2	50070032R	Screw				
5	2	3960073R	Screw				
6	2	3918010R	Washer				
7	4	3860095R	Screw				
8	1	3055115	Spark plug				
9	1	50070071	Cover				
10	2	50070186	Gasket				
11	8	3960074	Screw				
12	1	50070207	Decompressor				BT4-056-10/03
13	2	50070128R	Piston ring Ø42				
14	1	50070117R	Piston pin				
15	1	004900061R	Ring				
16	1	50072032A	Piston assy				
17	1	50070047CR	Gasket				
18	1	097000059A	Spring				
19	1	50070010AR	Manifold				BT4-053-10/03
20	1	50070152	Tube	SN 0603106076			BT4-116-05/13
21	1	50070224B	Carburetor kit HDA-314				
22	1	50072024B	Cylinder				
23	1	50080133R	Tube				
24	1	50072040	Labels kit				
25	1	026400089A	Tube				
26	2	007201313R	Seal ring				
27	4	3860096R	Screw				
28	2	094600042	Plug				
29	1	005000016R	Bearing				
30	1	50070039CR	Gasket				
31	1	50070272AR	Crankshaft				
32	1	094000005	Bearing				
33	1	3034012R	Bearing				
34	1	50072028A	Gasket set				
35	1	50070175	Plate				
36	1	50072051	Crankcase assy				
37	1	50070070	Cover				

