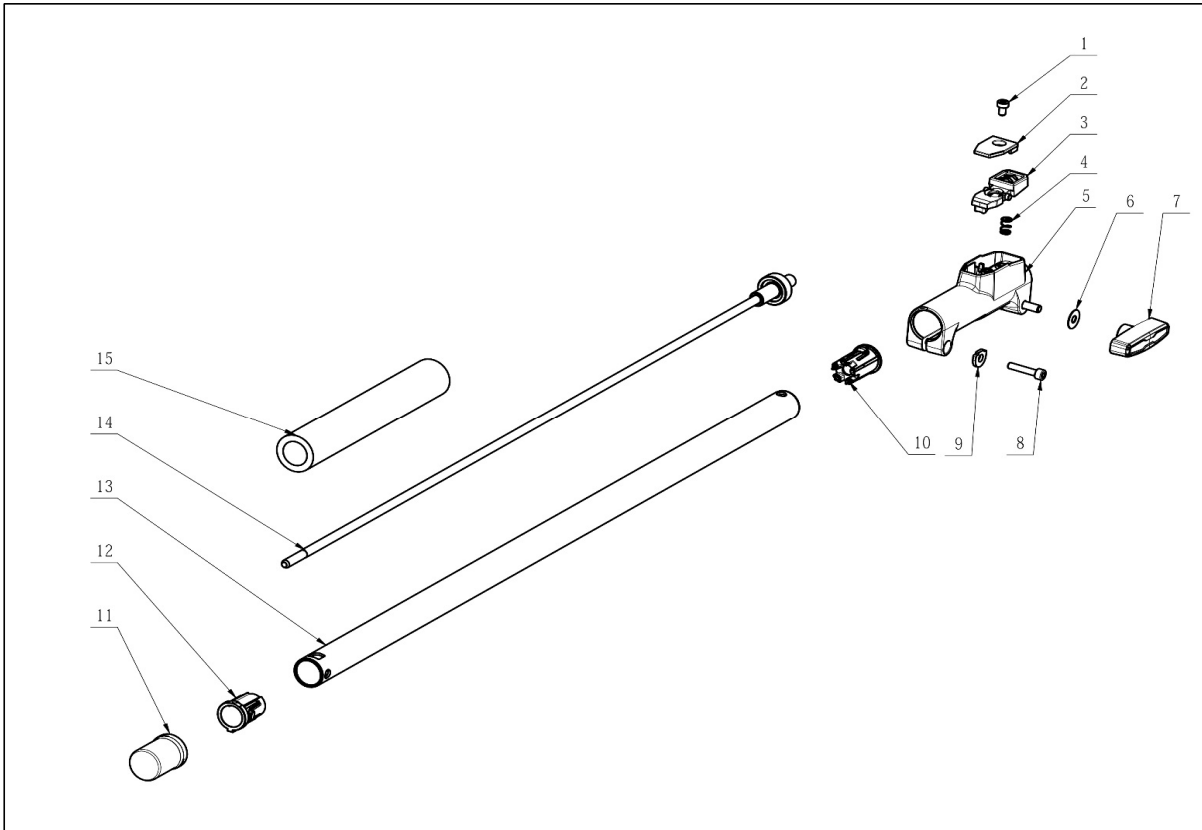


EP7501



Index No.	Art. No.	Technical Information	Description	QTY in machine
1	5620549001		Hexagon Socket Screw	1
2	3126854001		Cover	1
3	3421869001		Button	1
4	3660235001		Spring	1
5	2824788001		Joint Assembly	1
6	3700233001		Washer	1
7	3402816001		Joint Assembly	1
8	5620550001		Hexagon Socket Screw	1
9	3705464001		Limit Chute	1
10	3128580001		Bush	1
11	3128734001		Sleeve	1
12	3128556001		Guiding Block	1
13	2825082002		Tube Assembly	1
14	2824782002		Shaft Assembly	1
15	3706123001		Sheath	1