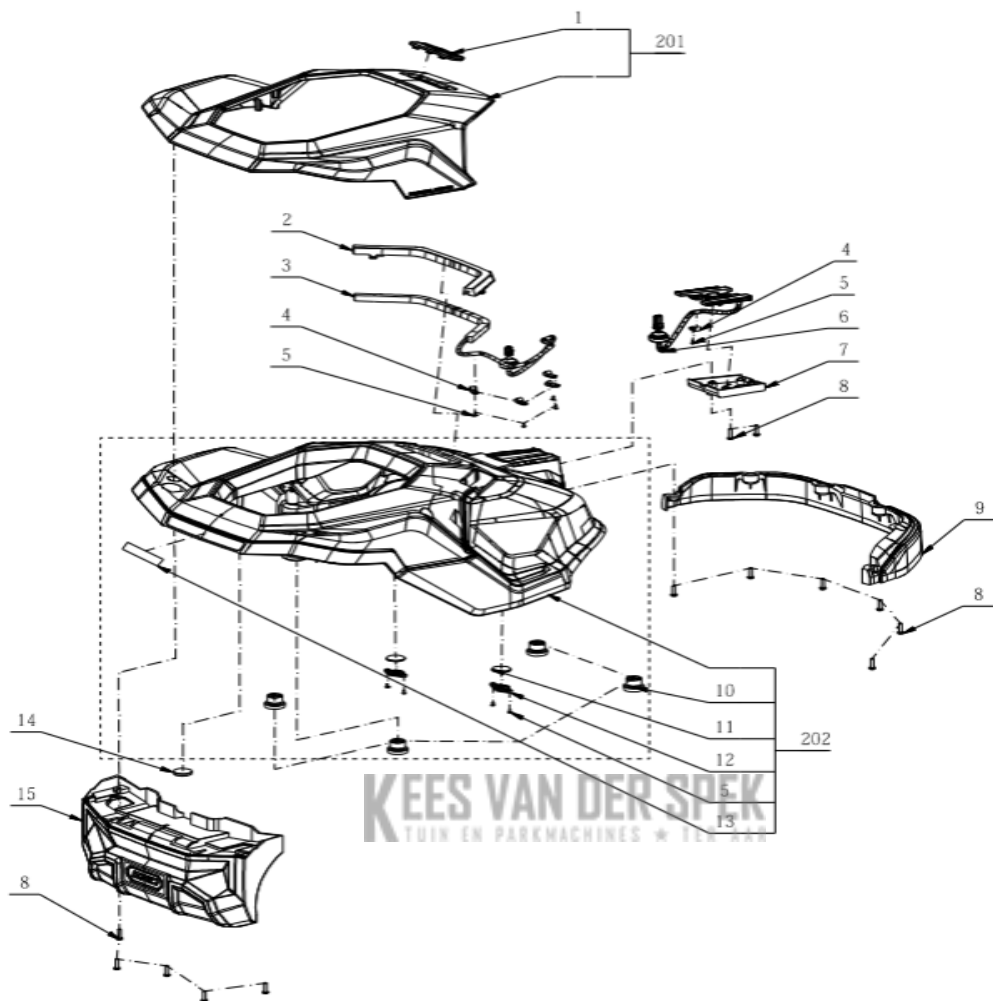
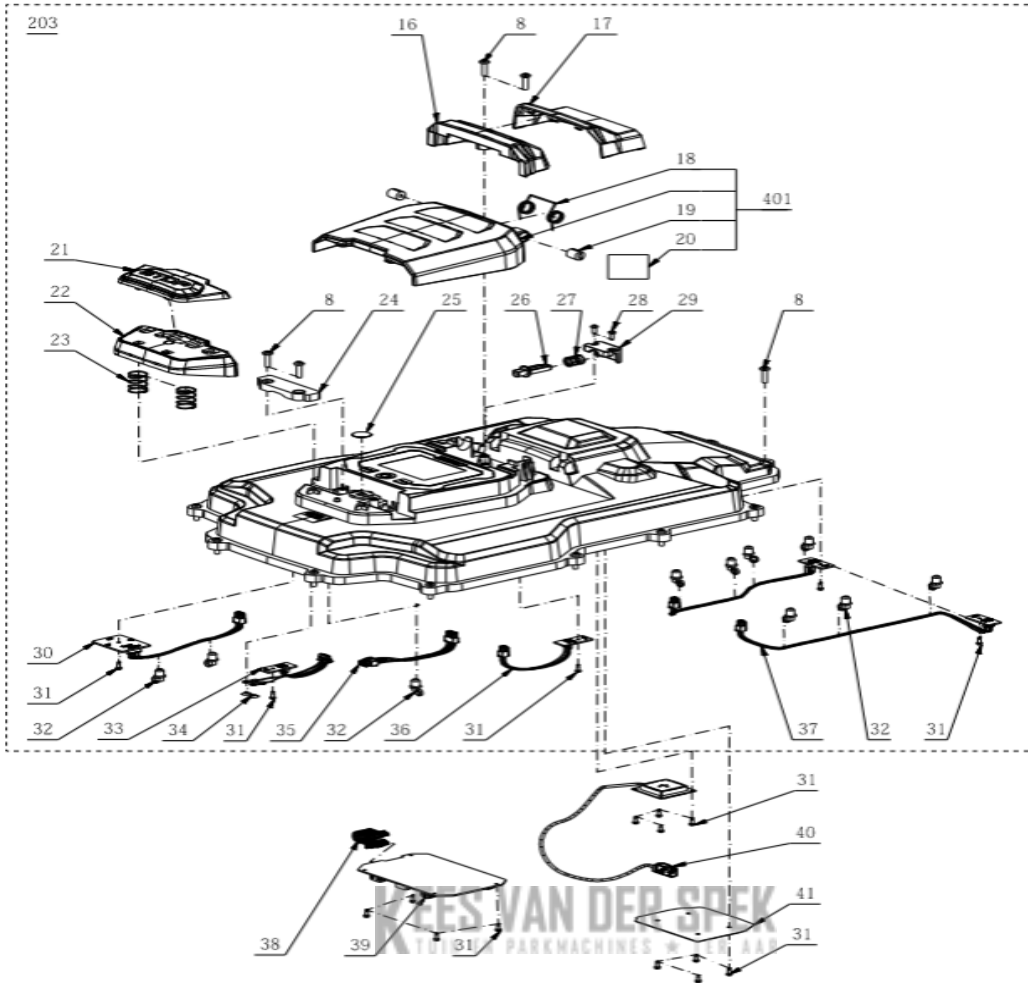


A RM4000E Floating Cover



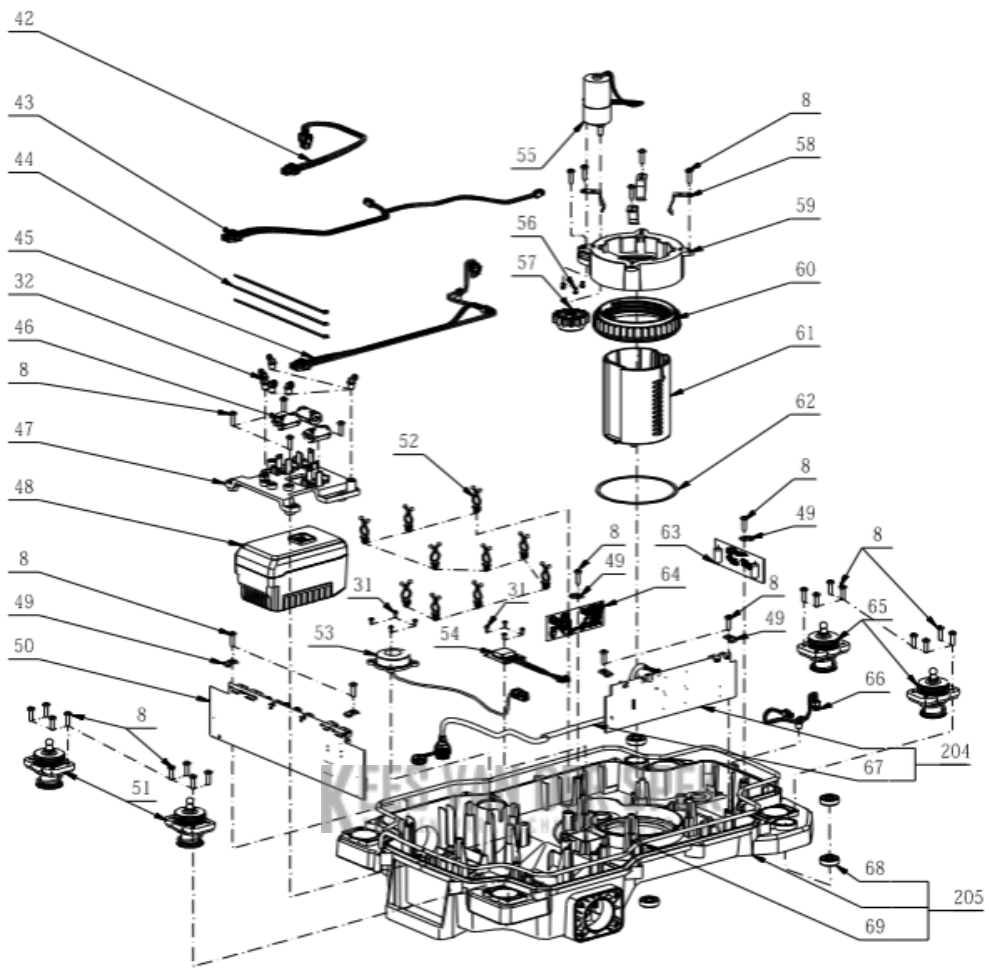
1	3321927001	EGO Logo	3321927001	1
2	3134340001	Lamp Housing	3134340001	1
3	4360322001	LED Assembly	4360322001	1
4	3134535001	Wire Holder	3134535001	5
5	5620176002	Screw With Washer	5620176002	9
6	2829863001	Plug Assembly	2829863001	1
7	3134304001	Fixing Board	3134304001	1
8	5610291003	Tapping Screw	5610291003	98
9	3323499001	Front Cover	3323499001	1
10	3134341001	Rubber Plug	3134341001	4
11	3680356001	Magnetic Block	3680356001	2
12	3134313001	Pressure Plate	3134313001	2
13	2246058001	Nameplate	2246058001	1
14	3680355001	Magnetic Block	3680355001	1
15	3134284001	Rear Cover	3134284001	1
201	2850328001	Decorative Cover Assembly	2850328001	1
202	2850517001	Floating Cover Assembly	2850517001	1

B RM4000E
Top Cover



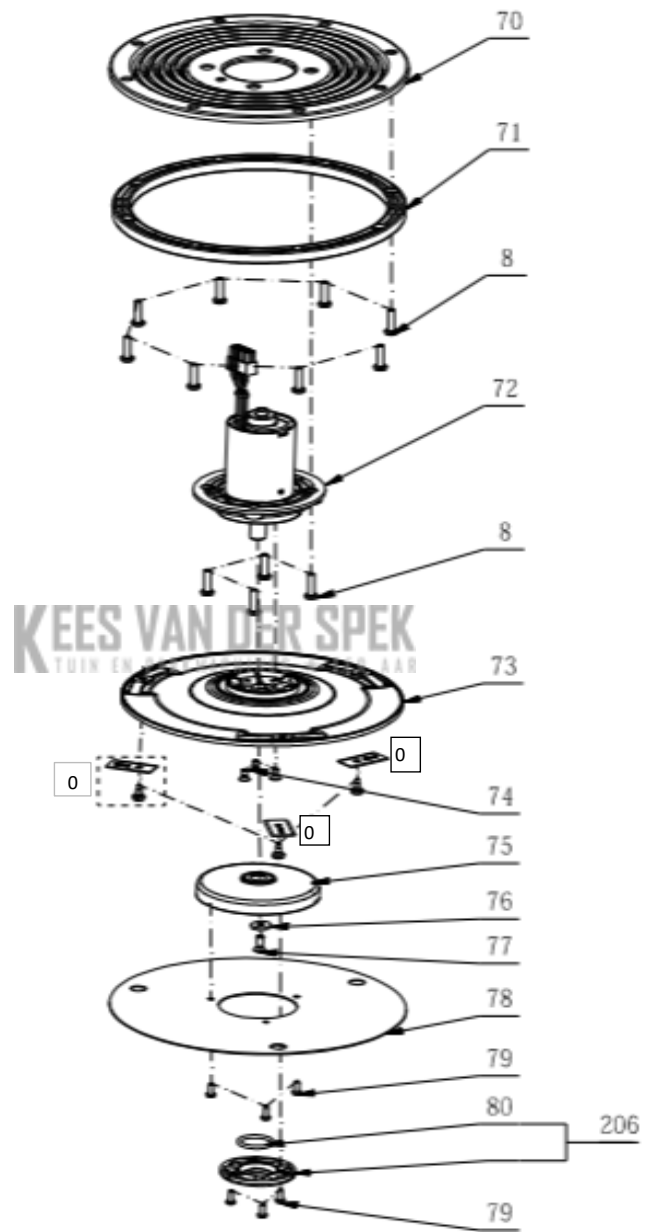
8	5610291003	Tapping Screw	5610291003	98
16	3134310001	Fixed Support	3134310001	1
17	3134309001	Fixed Upper Guard	3134309001	1
18	3667876001	Double Torsion Spring	3667876001	1
19	2829663001	Damper	2829663001	2
20	2246057001	Nameplate	2246057001	1
21	3323503001	Button	3323503001	1
22	2850250001	Button Support Assembly	2850250001	1
23	3667877001	Compression Spring	3667877001	2
24	3134348001	Support Clamp Plate	3134348001	1
25	3709022001	Waterproof Breathable Film	3709022001	1
26	2850251001	Sliding Block Assembly	2850251001	1
27	3667933001	Compression Spring	3667933001	1
28	5610295001	Hexagon Socket Screw	5610295001	6
29	3134347001	Guide Block	3134347001	1
30	2831497001	Hall Electric Assembly	2831497001	1
31	5610010007	Tapping Screw	5610010007	30
32	2491142001	Nylon String	2491142001	18
33	2831496001	Hall Electric Assembly	2831496001	1
34	5630231001	Nut	5630231001	6
35	4861225001	Wiring Harness	4861225001	1
36	2831495001	Hall Electric Assembly	2831495001	1
37	2831500001	Hall Electric Assembly	2831500001	2
38	4861192001	Communication Wire Harness	4861192001	1
39	2831515001	Control Electric Assembly	2831515001	1
40	2831469001	Antenna Electric Assembly	2831469001	1
41	3709038001	Baffle	3709038001	1
401	2850503001	Protective Cover Set	2850503001	1

C RM4000E
Chassis



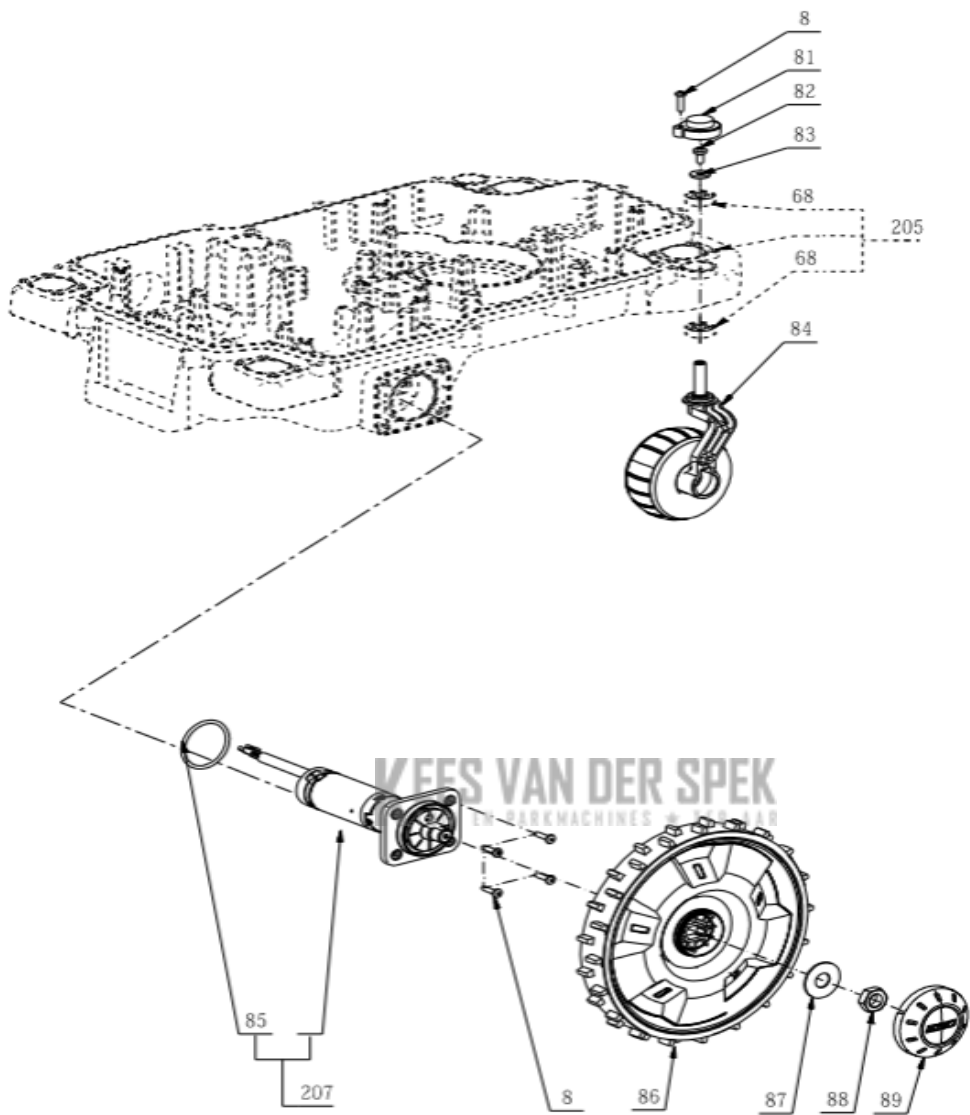
8	5610291003	Tapping Screw	5610291003	98
31	5610010007	Tapping Screw	5610010007	30
32	2491142001	Nylon String	2941142001	18
42	4861223001	Wiring Harness	4861223001	1
43	4861224001	Wiring Harness	4861224001	1
44	2490023001	Bundle	2490023001	3
45	4861222001	Wiring Harness	4861222001	1
46	3680227001	Magnetic Block	3680227001	3
47	3134413001	Cover Plate	3134413001	1
48	2850161002	Battery Assembly	2850161002	1
49	3134412001	Pressure Plate	3134412001	6
50	2831665001	BMS Electric Assembly	2831665001	1
51	2850495001	Rear Support	2850495001	2
52	3134697001	Wire Holder	3134697001	10
53	2831509001	Antenna Electric Assembly	2831509001	1
54	2831673001	Angle Measuring Electric Assembly	2831673001	1
55	2790758001	Motor And Gear Case Assembly	2790758001	1
56	5620722001	Cross Recessed Pan Head Screw	5620722001	3
57	3570411001	Pinion	3570411001	1
58	3667868001	Leaf Spring	3667868001	4
59	3134406001	Gear Case	3134406001	1
60	3570406001	Big Gear	3570406001	1
61	3134339001	Housing	3134339001	1
62	5651010001	Plain Washer	5651010001	1
63	2831671001	Signal Acquisition Electric Assembly	2831671001	1
64	2831672001	Control Electric Assembly	2831672001	1
65	2850494001	Front Bracket	2850494001	2
66	4861226001	Wiring Harness	4861226001	1
67	4861313001	Wiring Harness	4861313001	1
68	5700048004	Ball Bearing	5700048004	4
69	5690618001	Seal Strip	5690618001	1
204	2831910001	Control Electric Assembly	2831910001	1
205	2850516001	Housing Assembly	2850516001	1

D RM4000E
The Cutting System



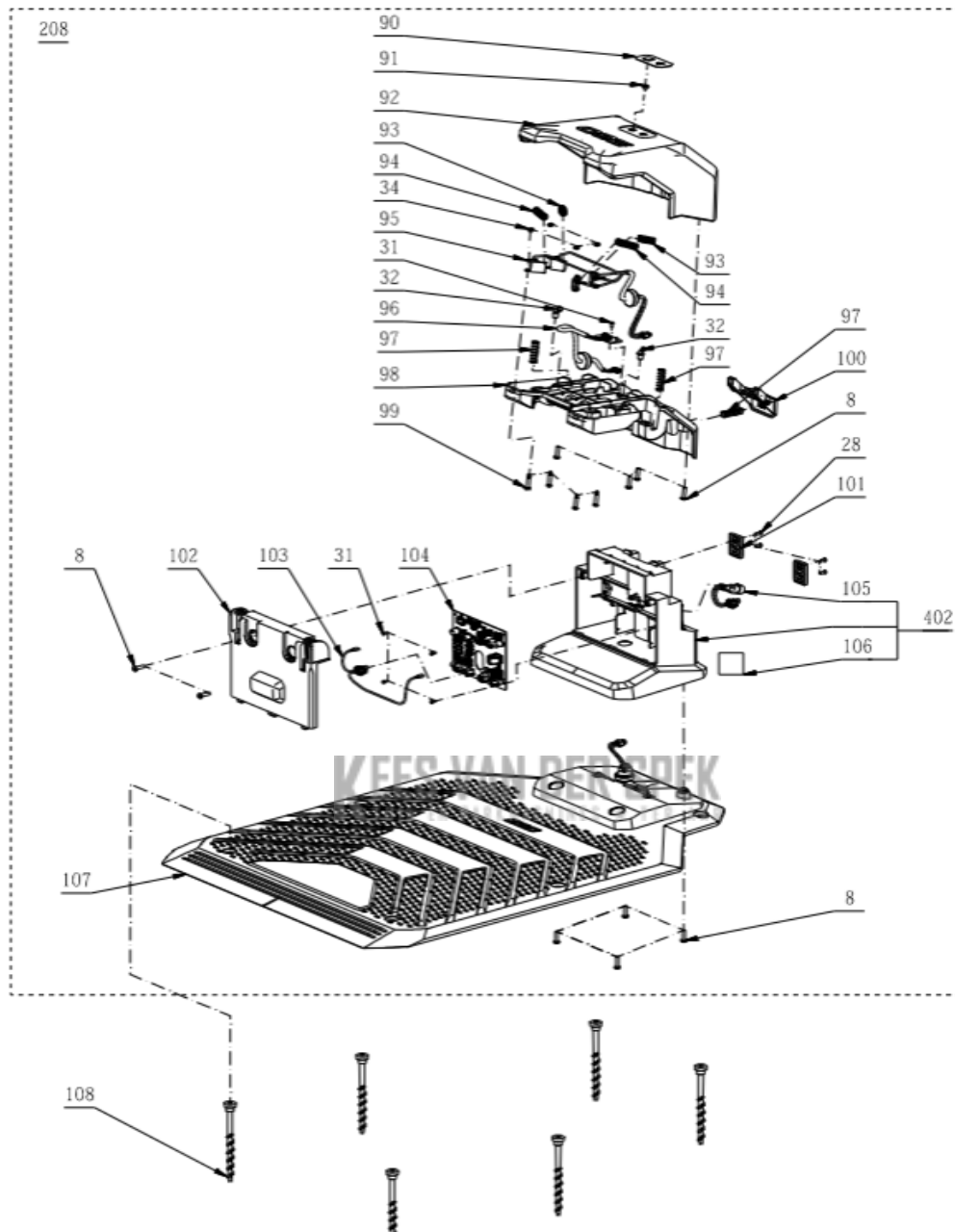
0	AB1009R	Blades 9 pieces	AB1009R	3
8	5610291003	Tapping Screw	5610291003	12
70	5690592001	Sealing Gasket	5690592001	1
71	3134417001	Seal Ring Clamping Plate	3134417001	1
72	2850499001	Motor Assembly	2850499001	1
73	3403471001	Tool Pan	3403471001	1
74	5620067010	Screw	5620067010	3
75	2850501001	Bearing Support Assembly	2850501001	1
76	5650047001	Plain Washer	5650047001	1
77	5620074009	Screw	5620074009	1
78	3709002001	Clapboard	3709002001	1
79	5610295002	Hexagon Socket Screw	5610295002	6
80	5690011003	O Ring	5690011003	1
206	2850500001	Seal Cover Assembly	2850500001	1

E RM4000E
Wheels & Drive System



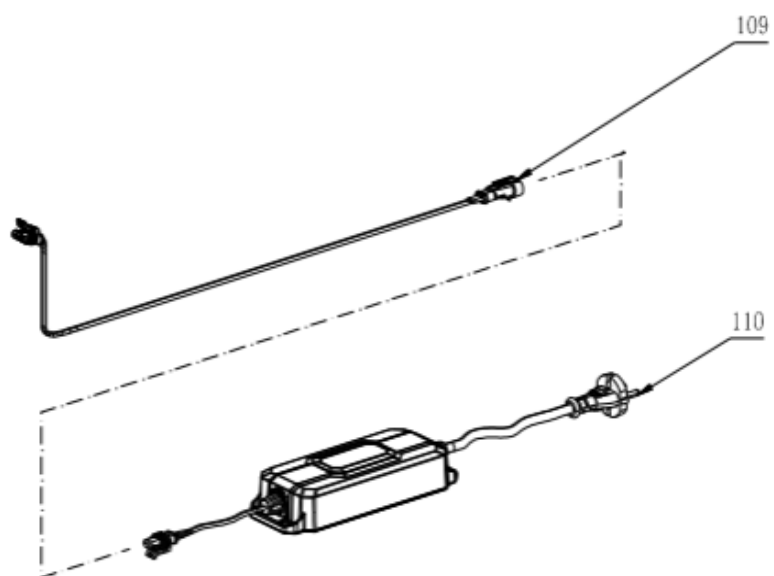
8	5610291003	Tapping Screw	5610291003	98
68	5700048004	Ball Bearing	5700048004	4
81	3134415001	Upper Dust Cover	3134415001	2
82	5620049004	Screw	5620049004	2
83	5650487001	Plain Washer	5650487001	2
84	2850496001	Front Wheel Assembly	2850496001	2
85	5690193002	O Ring	5690193002	1
86	2850497001	Rear Wheel Assembly	2850497001	2
87	5651056001	Plain Washer	5651056001	2
88	5630348001	Hex Nut	5630348001	2
89	3134361001	Wheel Hub Cover	3134361001	2
205	2850516001	Housing Assembly	2850516001	1
207	2850498001	Drive Axle Assembly	2850498001	2

F RM4000E
Robotic mower docking station



8	5610291003	Tapping Screw	5610291003	10
28	5610295001	Hexagon Socket Screw	5610295001	6
31	5610010007	Tapping Screw	5610010007	30
32	2491142001	Nylon String	2941142001	18
8	5610291003	Tapping Screw	5610291003	10
90	3709030001	Indicator Label	3709030001	1
91	3134346001	Button Plate	3134346001	1
92	3134333001	Decorative Cover	3134333001	1
93	3667855001	Compression Spring	3667855001	2
94	3668035001	Compression Spring	3668035001	2
95	2850502001	Contactora Assembly	2850502001	1
96	2831611001	LED Electric Assembly	2831611001	1
97	3660562001	Compression Spring	3660562001	3
98	3134334001	Support Plate	3134334001	1
99	5670721001	Pin Shaft	5670721001	4
100	3134379001	Button	3134379001	1
101	3403476001	Connector	3403476001	2
102	3134357001	Limit Plate	3134357001	1
103	4861203001	Output Wiring Harness	4861203001	1
104	2831699001	Charger Power Electric Assembly	2831699001	1
105	4861202001	Charging Harness	4861202001	1
106	2246070001	Nameplate	2246070001	1
107	2850515001	Base Plate Assembly	2850515001	1
108	5611031001	Thread Forming Screw	5611031001	6
402	2850514001	Base Assembly	2850514001	1

G RM4000E
Accessory



109	4810423001	Adapter Extended Harness	4810423001	1
110	2850634001	Power Adapter	2850634001	1
110	2850633003	Power Adapter	2850633003	1
111	2850605001	Connector	2850605001	1
112	2850606001	Connector	2850606001	1
113	3135500001	Ground Nail	3135500001	1