



# Spare Parts List

[EN]

12 February 2025

## Product Category

Robot Mower

Model	Version	SN Start	SN End	Year
RM2000E	A	ERM02		2024
RM4000E	A	ERM01		2024

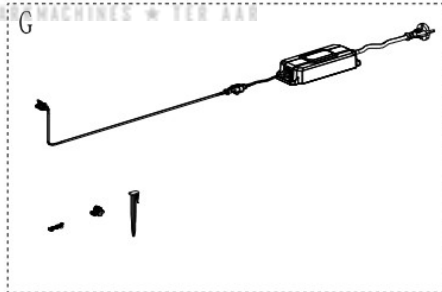
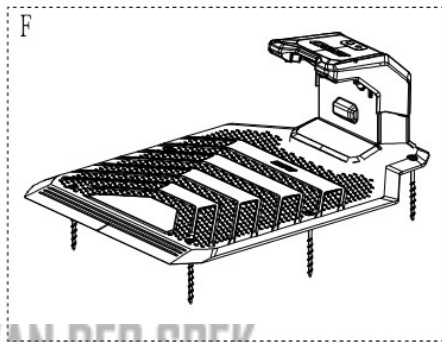
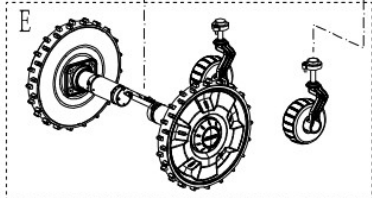
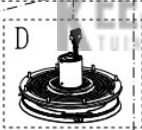
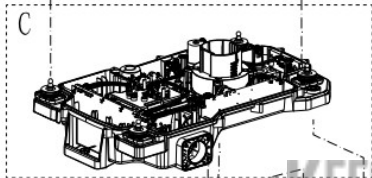
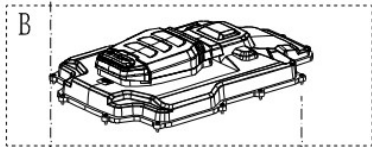
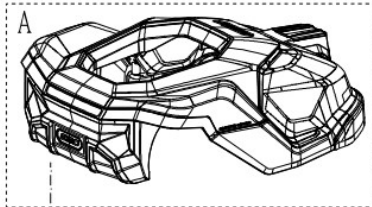


Model: RM2000E  
Model version: A  
Introduction Year: 2024

SN Start: ERM02  
SN End:

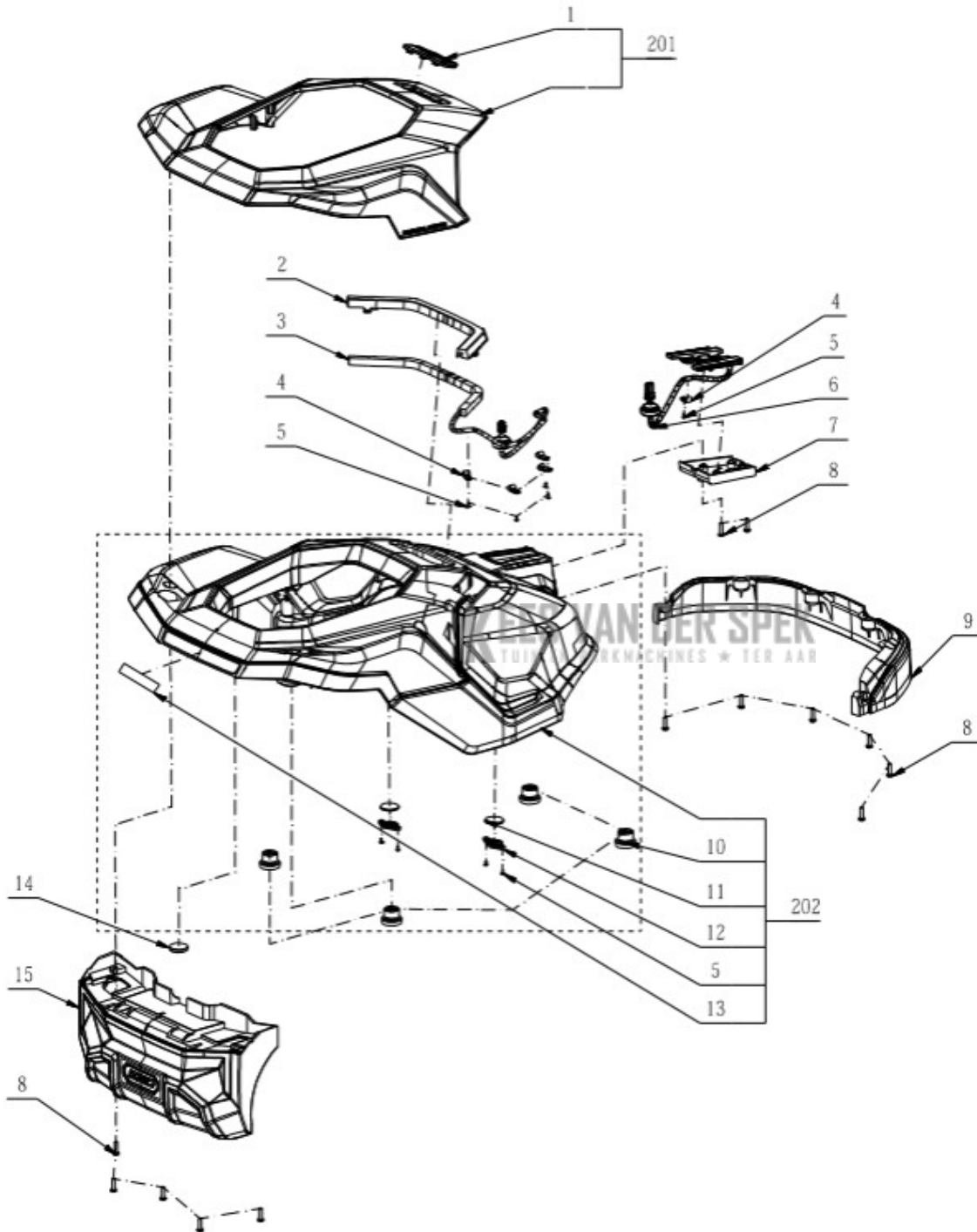


Product Description: 4000m<sup>2</sup> robotic mower  
Model Number: RM4000E  
Service Item Number: F510001001S01  
Version: A  
Issue Date: 2023/10/28

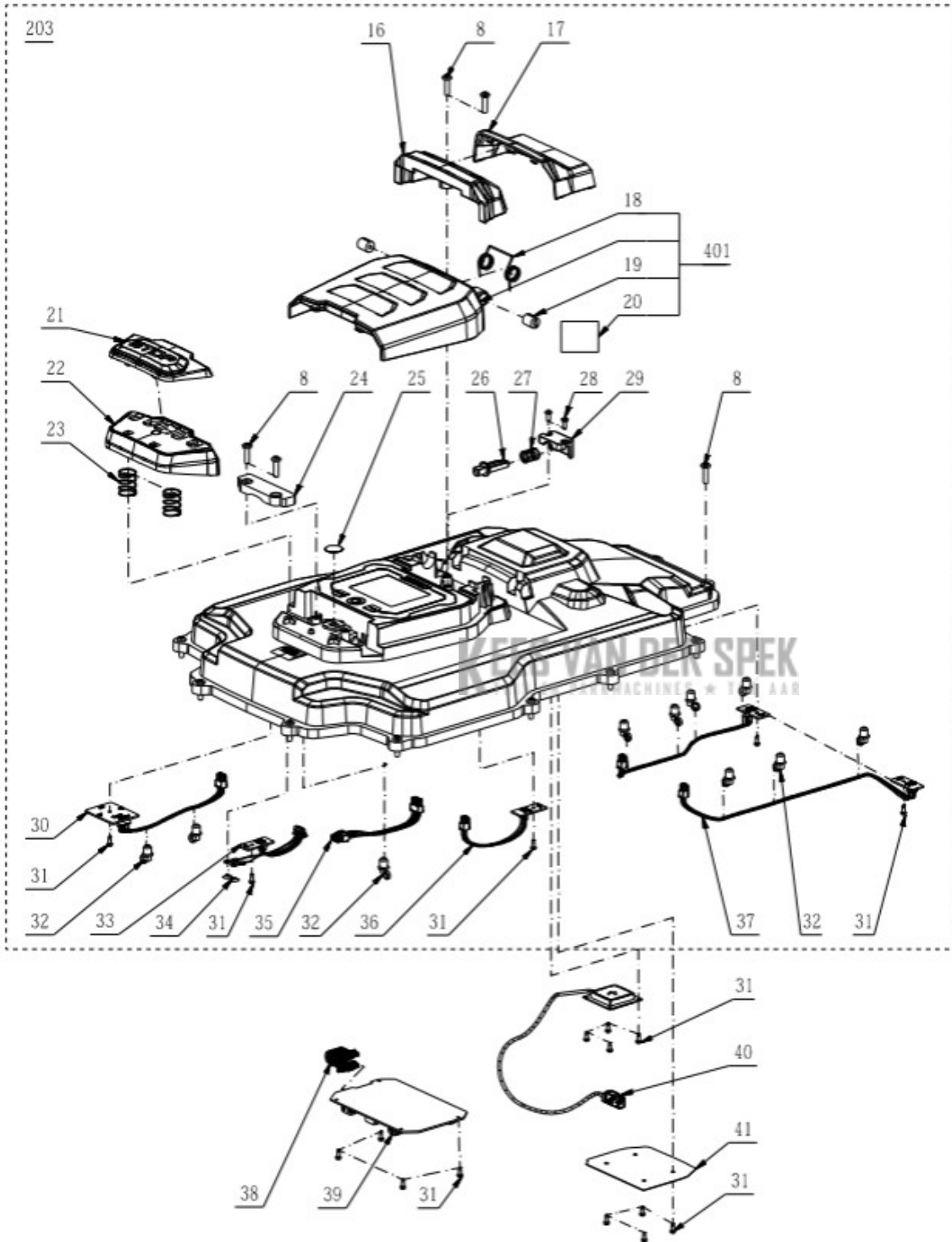


KEES VAN DER SPEK  
TUIG EN REPARATIE MACHINES & TOEGEBORRE

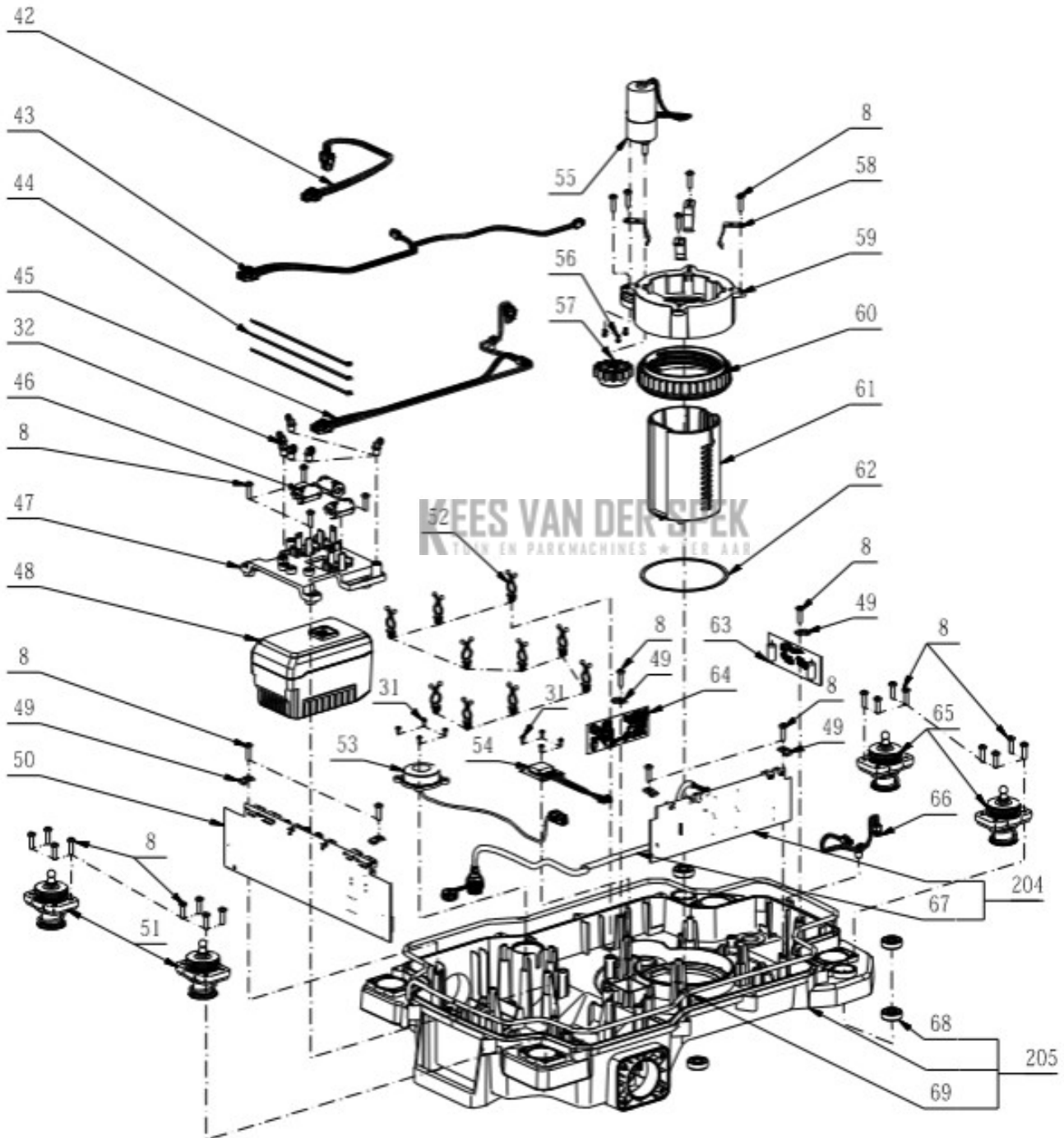
A RM4000E  
Floating Cover



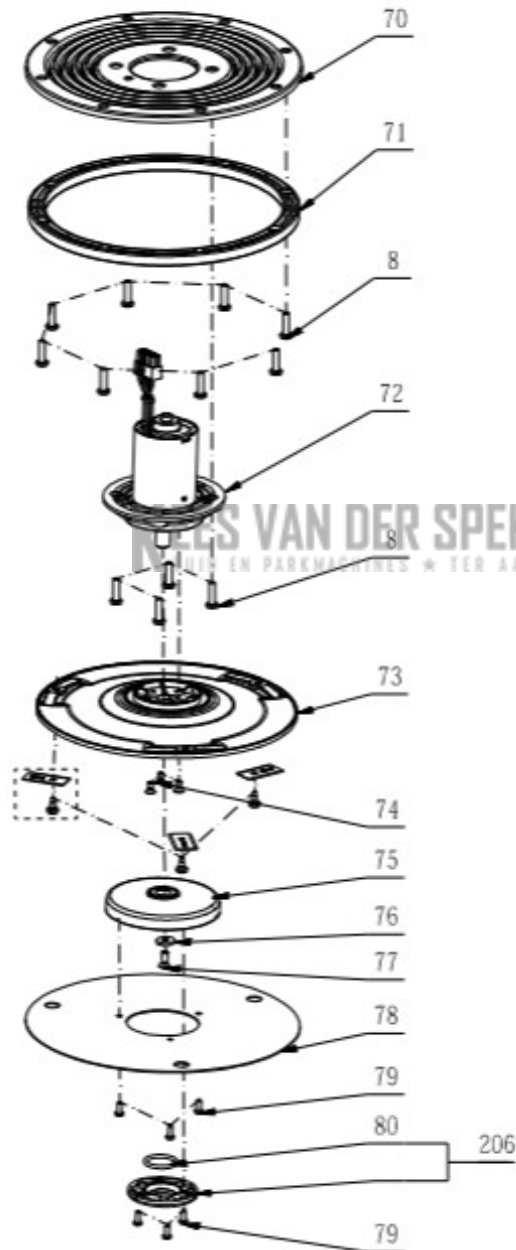
**B** RM4000E  
Top Cover



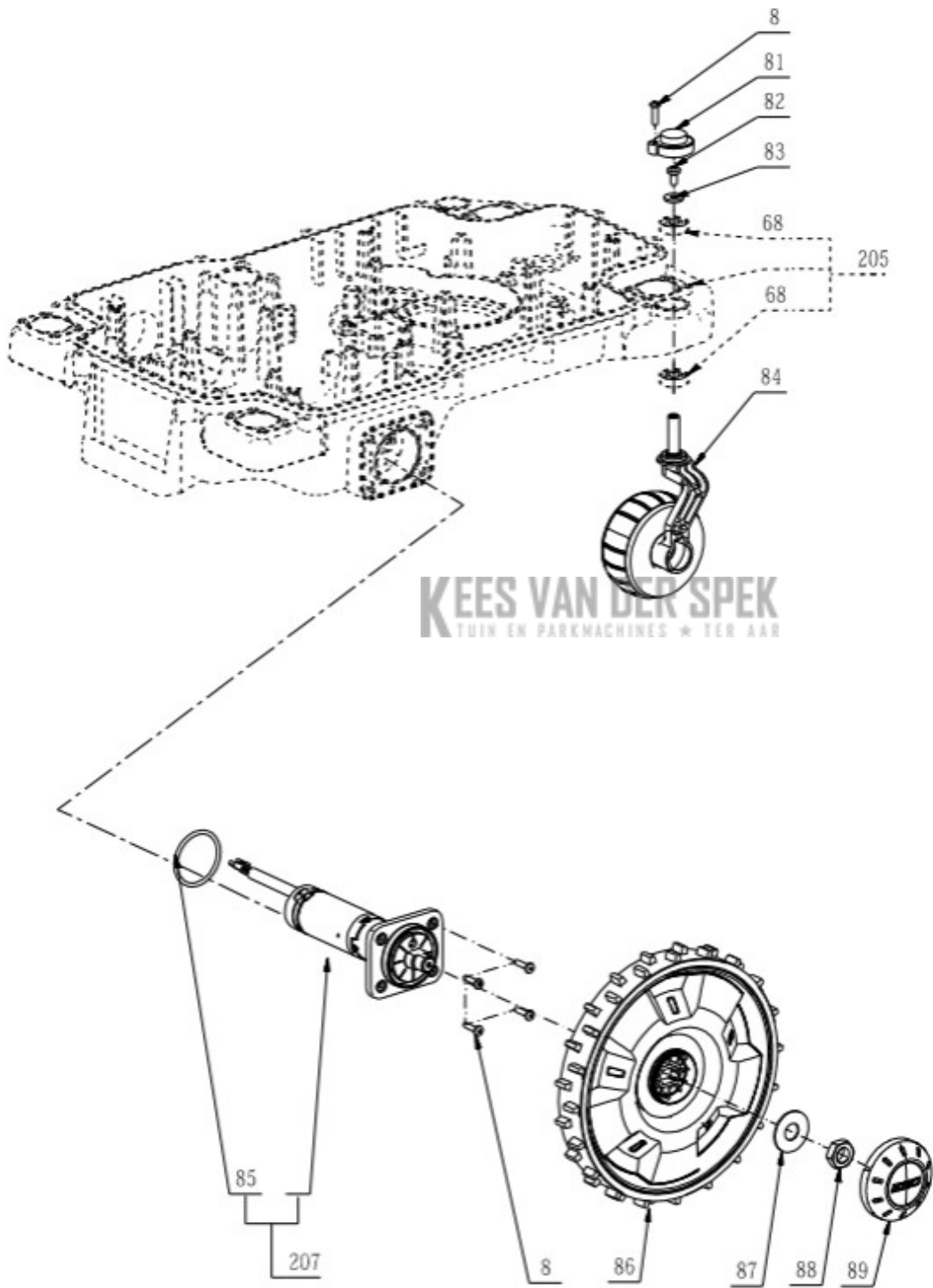
C RM4000E  
Chassis



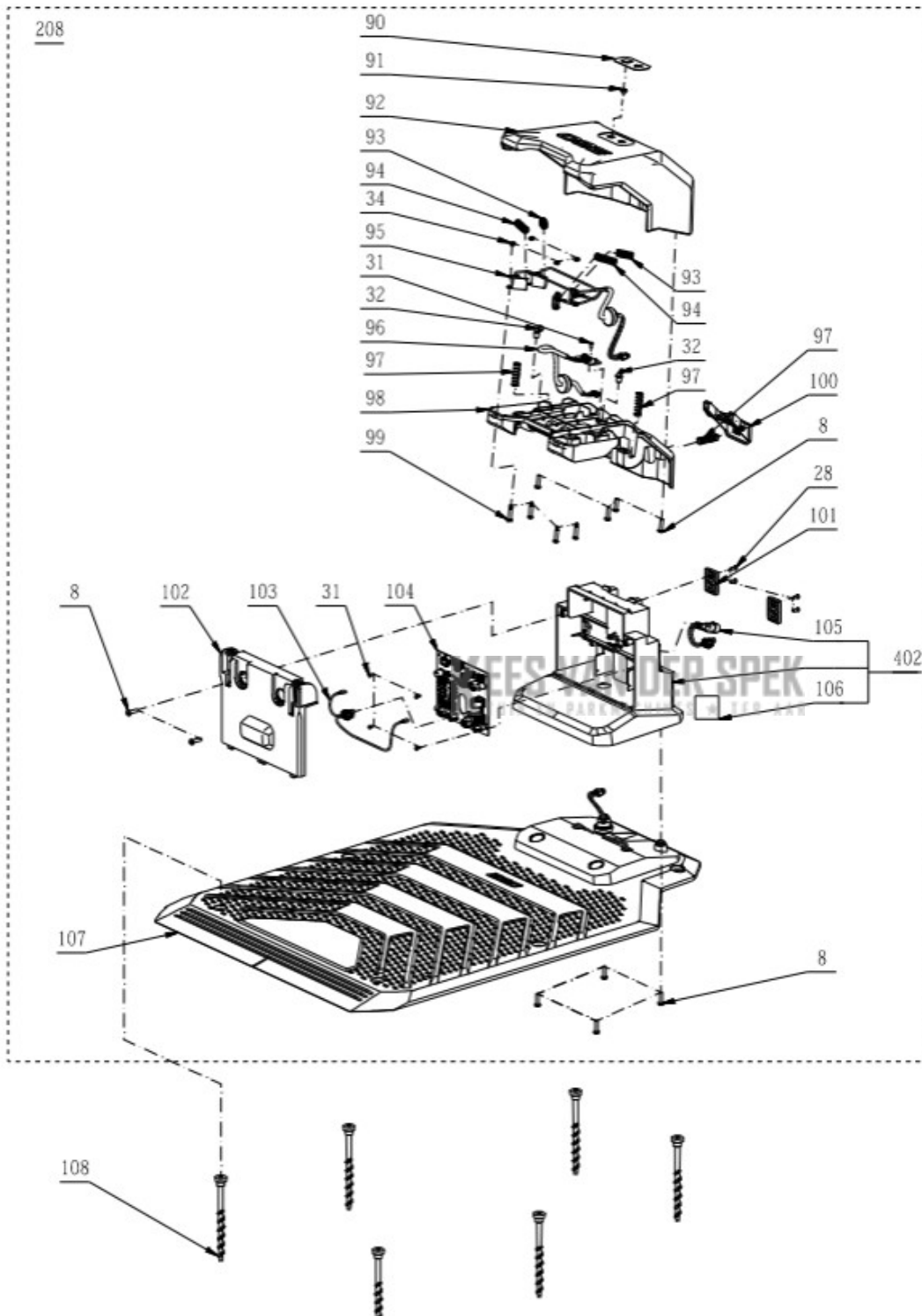
D RM4000E  
The Cutting System



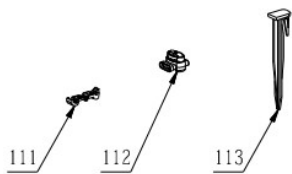
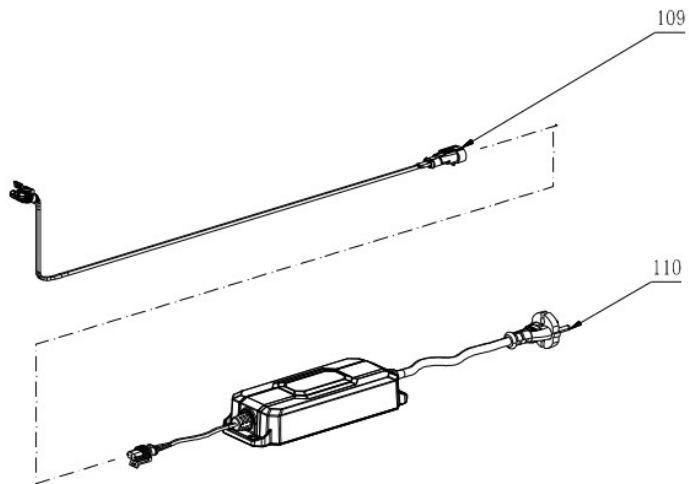
E RM4000E  
Wheels & Drive System



F RM4000E  
Robotic mower docking station



G RM4000E  
Accessory



**KEES VAN DER SPEK**  
TUIN EN PARKMACHINES \* TER AAR

#	Article Number	Description	Qty	Replacement	Technical Notes
1	3321927001	EGO Logo	1		
2	3134340001	Lamp Housing	1		
3	4360322001	LED Assembly	1		
4	3134535001	Wire Holder	5		
5	2829863001	Plug Assembly	1		
6	3134304001	Fixing Board	1		
7	3680355001	Magnetic Block	1		
8	3134284001	Rear Cover	1		
9	3323499001	Front Cover	1		
10	3680356001	Magnetic Block	2		
11	3134313001	Pressure Plate	2		
12	5620176002	Screw With Washer	9		
13	3134341001	Rubber Plug	4		
14	5610291003	Tapping Screw	98		
15	2246058001	Nameplate	1		
16	3134309001	Fixed Upper Guard	1		
17	3134310001	Fixed Support	1		
18	3667876001	Double Torsion Spring	1		
19	2829663001	Damper	2		
20	5610295001	Hexagon Socket Screw	6		
21	3134347001	Guide Block	1		
22	3667933001	Compression Spring	1		
23	2850251001	Sliding Block Assembly	1		
24	3134348001	Support Clamp Plate	1		
25	3323503001	Button	1		
26	2850250001	Button Support Assembly	1		
27	3667877001	Compression Spring	2		
28	3709022001	Waterproof Breathable Film	1		
29	2831497001	Hall Electric Assembly	1		
30	2831496001	Hall Electric Assembly	1		
31	4861225001	Wiring Harness	1		
32	5630231001	Nut	6		
33	2831495001	Hall Electric Assembly	1		
34	2491142001	Nylon String	18		
35	2831500001	Hall Electric Assembly	2		
36	4861192001	Communication Wire Harness	1		
37	2831515001	Control Electric Assembly	1		
38	2831469001	Antenna Electric Assembly	1		
39	5610010007	Tapping Screw	30		
40	3709038001	Baffle	1		
41	2246057002	Nameplate	1		
42	4861224001	Wiring Harness	1		
43	4861222001	Wiring Harness	1		
44	4861226001	Wiring Harness	1		
45	3134697001	Wire Holder	10		
46	2790758001	Motor And Gear Case Assembly	1		
47	3667868001	Leaf Spring	4		
48	5620722001	Cross Recessed Pan Head Screw	3		
49	3134406001	Gear Case	1		
50	3134339001	Housing	1		
51	3570406001	Big Gear	1		
52	5651010001		1		
53	2831673001	Angle Measuring Electric Assembly	1		
54	2831671001	Signal Acquisition Electric Assembly	1		
55	4861223001	Wiring Harness	1		
56	3680227001	Magnetic Block	3		
57	2490023001	Bundle	3		
58	3570411001	Pinion	1		
59	3134413001	Cover Plate	1		
60	2850161002	Battery Assembly	1		
61	2831672001	Control Electric Assembly	1		
62	2831509001	Antenna Electric Assembly	1		
63	3134412001	Pressure Plate	6		
64	2831665001	BMS Electric Assembly	1		
65	4861313001	Wiring Harness	1		



66	2850495001	Rear Support	2
67	2850494001	Front Bracket	2
68	5700048004		4
69	5690618001	Seal Strip	1
70	5690592001		1
71	3134417001	Seal Ring Clamping Plate	1
72	2850499001	Motor Assembly	1
73	3403471001	Tool Pan	1
74	5620067010	Screw	3
75	2850501001	Bearing Support Assembly	1
76	3709002001	Clapboard	1
77	5650047001		1
78	5620074009	Screw	1
79	5610295002	Hexagon Socket Screw	6
80	5690011003	O Ring	1
81	3134415001	Upper Dust Cover	2
82	5620049004	Screw	2
83	5650487001	Plain Washer	2
84	2850496001	Front Wheel Assembly	2
85	5690193002		1
86	2850497002	Rear Wheel Assembly	2
87	5651056001	Plain Washer	2
88	5630348001	Hex Nut	2
89	3134361001	Wheel Hub Cover	2
90	3709030001	Indicator Label	1
91	3134346001	Button Plate	1
92	3134333001	Decorative Cover	1
93	3667855001	Compression Spring	2
94	3668035001	Compression Spring	2
95	2850502001	Contact Assembly	1
96	2831611001	LED Electric Assembly	1
97	3134334001	Support Plate	1
98	5670721001		4
99	3134379001	Button	1
100	3660562001	Compression Spring	3
101	3403476001	Connector	2
102	3134357001	Limit Plate	1
103	4861203001	Output Wiring Harness	1
104	2831699001	Charger Power Electric Assembly	1
105	4861202001	Charging Harness	1
106	2246070001	Nameplate	1
107	2850515001	Base Plate Assembly	1
108	5611031001	Thread Forming Screw	6
109	2850634001	Power Adapter (EU Plug)	1
109	2850633003	Power Adapter (GB plug)	1
110	4810423001	Adapter Extended Harness	1
111	3135500001	Ground Nail	1
112	2850606001	Connector	1
113	2850605001	Connector	1
201	2850328001	Decorative Cover Assembly	1
202	2850517002	Floating Cover Assembly	1
203	2850562002	Top Cover Assembly	1
204	2831910002	Control Electric Assembly	1
205	2850516001	Housing Assembly	1
206	2850500001	Seal Cover Assembly	1
207	2850498001	Drive Axle Assembly	2
208	2829877002	Charging Station	1
401	2850503002	Protective Cover Set	1
402	2850514001	Base Assembly	1

**KEES VAN DER SPEK**  
TUIN EN MARKMACHINES - TER AAR