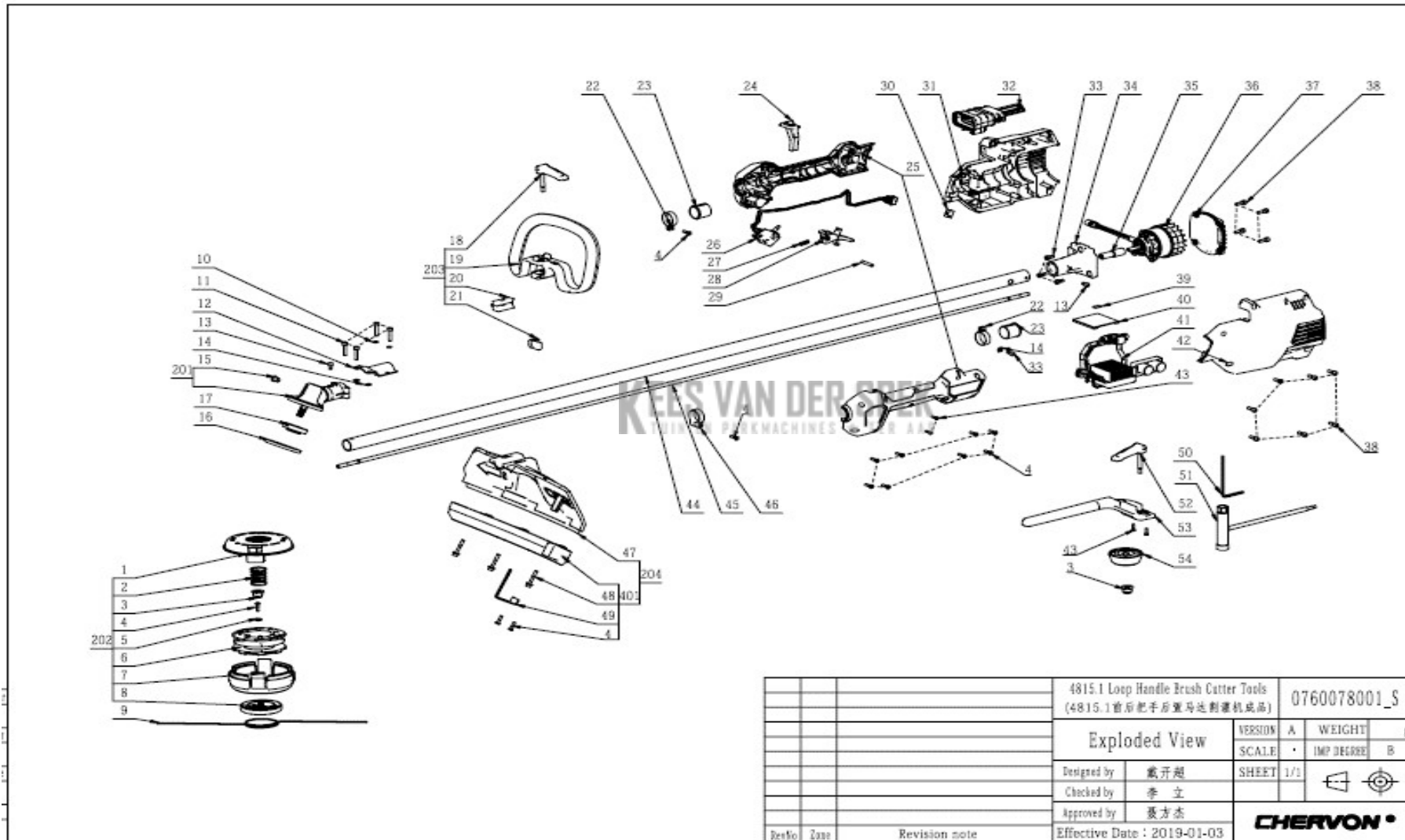


Repair Parts Loop Handle String Trimmer 4815.1(STX3800)

Model No.	STX3800
Art. No.	0260080001



Index No.	Service Part No.	Description	If shared with BCX3800		Tariff Code	QTY in machine	Weight (g)	Size LxWxH (mm)
1	3402942001	Upper Housing	yes		3926909790	1.0	119.3	Φ127x37.3
2	3660699001	Compression Spring	yes		7320202090	1.0	18.0	28x35
3	5630292001	Nut	yes		7318166090	2	16.0	M10x1-FH
4	5620479001	Screw	yes		7318149989	13	4.0	ST4.2x16
5	5650278002	Washer	yes		7318210095	1.0	0.08	Φ12x1
6		Mounting Wire Holder ASSY	-	Acessory	8467990090	1.0	144.0	Φ95x44.5
7	2825608001	Lower Housing ASSY	yes		3926909790	1.0	116.5	Φ118x50
8		Support Head	-	Acessory	3926909790	1.0	34.0	Φ74.5x19.2
9		Trimmer Line	-	Acessory	3926909790	1.0	34.0	Φ2.4
10	5650015012	Spring Washer	yes		7318210095	2.0	2.0	Φ7.9x1.2
11	5620216006	Hexagon Socket Screw	yes		7318156890	4.0	5.0	M5x25
12	3705417001	Fixing Board	yes		7326909890	1.0	58.5	66x48x19
13	5620213003	Hexagon Socket Screw	yes		7318156890	2.0	3.4	M5x10
14	5650598001	Washer	yes		7318210095	3.0	0.2	5.3x11x0.4
15	5620606001	Hexagon Socket Screw	yes		7318156890	1.0	5.0	M8x10
16	3706103001	Shield	yes		7326909890	1.0	39.0	Φ70x5.5
17	3552509001	Inner Flange	yes		7307910090	1.0	66.3	Φ44x13.5
18	2824142003	Handle Lever Set	no		8467990090	1.0	22.0	73*63*26
19	3127657001	Front Handle	no		3926909790	1.0	200.0	231.5x68x144
20	3127651001	Clamping Block	no		3926909790	1.0	1.5	37x21x20.5
21	3400010003	Wing Nut	no		7318166090	1.0	11.0	32x21x8
22	3706559001	Fixed Ring	yes		7326909890	2.0	9.0	Φ28.6x10
23	3129457001	Holding Ring	yes		3926909790	2.0	5.0	Φ30.5x28.5
24	3130093001	Push Button	no			1.0	8.5	40x24.5x61
25	3900163001	Handle Set	no			1.0	253.0	320x95x68
26	4870685001	Switch Assembly	no			1.0	48.0	34.5x42.5x440
27	3660088003	Knob-reset Spring	no		7320202090	1.0	0.2	Φ6X18
28	2826345001	Switch Lever ASSY	no			1.0	38.0	77.5x39x17
29	5670028002	Pin	yes		7318240090	1.0	4.6	5x30
30	5650604001	Rubber Gasket	no		4016930090	1.0	0.6	11x12x9

31	3422157001	Right Housing	yes		7616999099	1.0	617.0	260.2x164x51.5
32	4860525002	Internal Wire ASSY	no			1.0	110.0	61.5x31.4x130
33	5620018005	Hexagon Socket Screw	yes		7318156890	4.0	3.7	M5x12
34	2825783001	Base Assembly	yes		7616999099	1.0	171.0	78x72x66.5
35	3552896001	Shaft Sleeve	yes		8482990000	1.0	45.0	Φ15x50.7
36	2730271001	DC Motor	yes		8501310099	1.0	851.0	35x60
37	3422158001	Rear Cover	yes		7616999099	1.0	73.0	95x94.3x9.5
38	5620019004	Hexagon Socket Screw	yes		7318156890	11.0	4.32	M5×16
39	3704820001	Sponge Pad	yes		4016100090	1.0	0.5	14X8X1.5
40	3129444001	Plate	yes		3926909790	1.0	6.0	61.5x58.5x4
41	2830332002	Electric Assembly	no			1.0	290.0	66x62x36
42	3422156001	Left Housing	yes		7616999099	1.0	606.0	260.2x128.5x50
43	5610305001	Tapping Screw	no		7318149989	4.0	3.0	ST3.5x13
44	2826455001	Tube Assembly	no			1.0	421.0	Φ25.4x1577
45	2825589001	Shaft	yes		8483109590	1.0	479.0	Φ7x1606.8
46	3128598001	Retaining Ring	no		3926909790	1.0	6.0	31x11.5x40
47	2825605001	Guard ASSY	yes		8467990090	1.0	230.0	352x103x102
48	5620548001	Screw with Washer	yes		7318156890	3.0	3.0	Φ9x35
49	3706542001	Blade	yes		8208400000	1.0	44.0	67x26x41.5
50	5680164001	Inner Hexagon Spanner	yes		8204110000	1.0	15.6	4(L95xH45)
51	5680217001	Wrench	yes		8204110000	1.0	160.0	21x100x225
52	2825135002	Handle Lever Set	no		8467990090	1.0	30.0	71.5x20x68.2
53	3128672001	Front Handle Cover	no		3926909790	1.0	65.0	244x34.6x91
54	3421864001	Outer Flange	yes		7616999099	1.0	80.0	Φ60x22
201	2825611001	Gear Case ASSY	yes		8483409099	1.0	286.5	109x96x33
202		Cutting Head Set	-	Acessory	8467990090	1.0	413.8	Φ127x64
203	2824020003	Handle ASSY	no		3926909790	1.0	207.0	231.5x68x150.5
204	2825603001	Guard ASSY	yes		8467990090	1.0	373.5	352x140x152
401	2825604001	Lower Guard ASSY	yes		8467990090	1.0	143.5	352x82x71

**KEES VAN DER SPEK**  
TUIN EN PARKMACHINES ✦ TER AAR

MPQ
1pc
10pcs
10pcs
10pcs
10pcs
-
1pc
-
-
10pcs
10pcs
1pc
10pcs
10pcs
10pcs
1pc
1pc
1pc
1pc
1pc
1pc
10pcs
1pc
1pc
1pc
1pc
1pc
10pcs
1pc
1pc
1pc

**KEES VAN DER SPEK**  
 TUIN EN PARKMACHINES ★ TER AAR

