

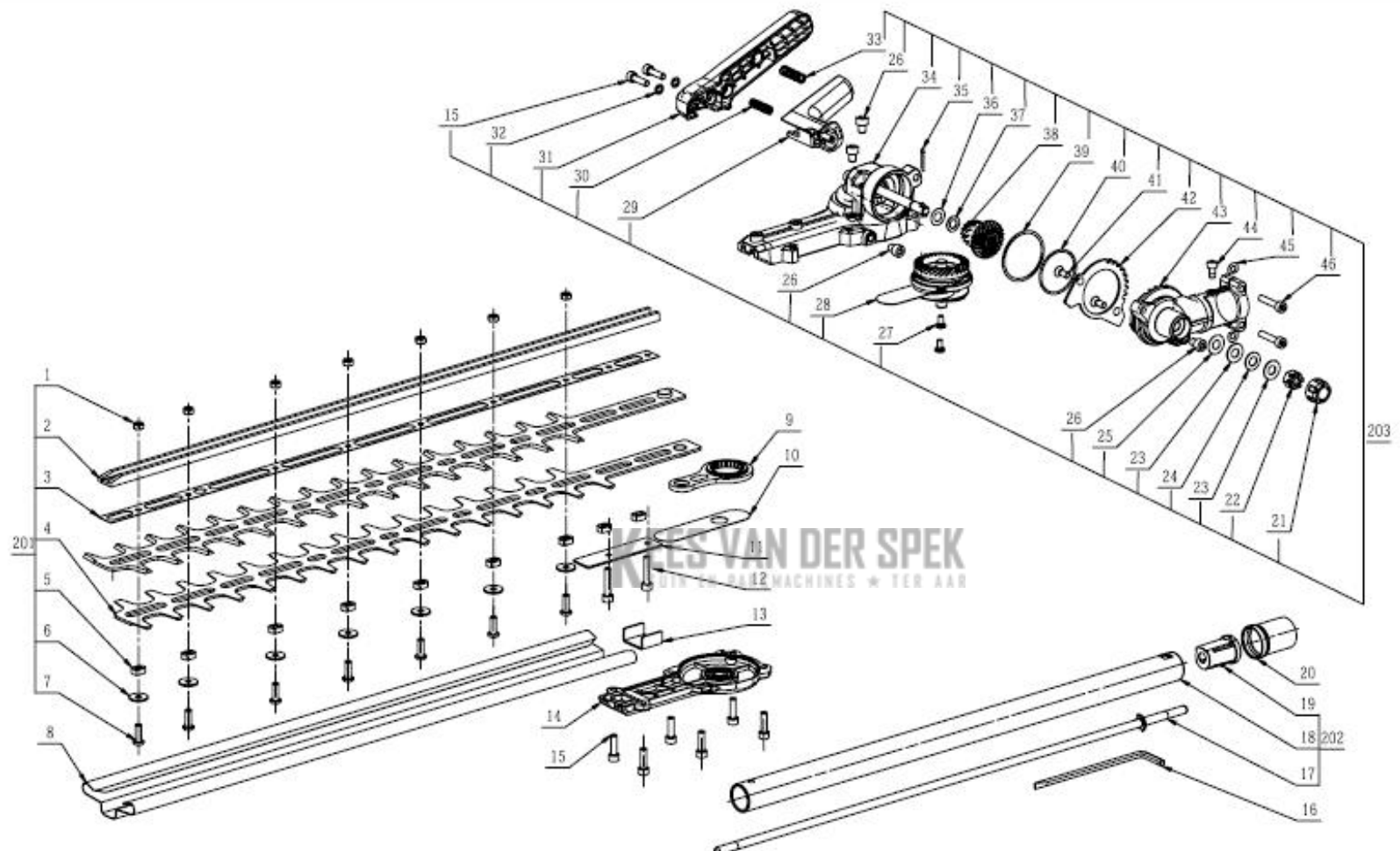


Repair Parts_Hedge Trimmer_4216(HTA2000S)

Model No.	HTA2000S
Art. No.	0260079001

Index No.	Service Part No.	Description	If shared with HTA2000		QTY in machine
1	5630007006	Prevailing Torque Hexagon	yes		7
2	3552609001	Clamp Support	yes		1
3	3706193001	Support Plate	yes		1
4	3706167001	Blade	yes		2
5	5650531001	Bush	yes		9
6	5650487001	Plain Washer	yes		7
7	5620543001	Hexagon Socket Screw	yes		7
8	3128882001	Sheath	yes		1
9	2824890002	Link Assembly	yes		1
10	3700736001	Support Plate	yes		1
11	3705991001	Support Plate	yes		1
12	5620216005	Hexagon Socket Screw	yes		2
13	3706098001	Upper Support Plate	yes		1
14	2824873002	Lower Housing ASSY	yes		1
15	5620446005	Hexagon Socket Screw	yes		8
16	5680210001	Inner Hexagon Spanner	yes		1
17	2826178002	Shaft Assembly	no		1
18		Tube Assembly	-	not available	1
19	3128859001	Guiding Block	yes		1
20	3128734001	Sleeve	yes		1
21	3128682001	Cover	yes		1
22	5630300001	Hex Nut	yes		1
23	5650569001	Plain Washer	yes		2
24	3660652001	Disc Spring	yes		1
25	5650578001	Plain Washer	yes		1
26	5620546001	Hexagon Socket Screw	yes		4
27	5620156007	Hexagon Socket Screw	yes		2
28	2824875002	Bevel Gear ASSY	yes		1
29	3402841001	Release Button	yes		1
30	3660094001	Spring	yes		1
31	3402842001	Bevel Lever	yes		1
32	5650404001	Washer	yes		2
33	3660072002	Spring	yes		1
34	2824877002	Right Gear Case ASSY	yes		1
35	5670436001	Split Pin	yes		1
36	5650187001	Washer	yes		1
37	5650570001	Plain Washer	yes		1
38	2824878002	Transmitting Gear ASSY	yes		1
39	5650571001	Plain Washer	yes		1
40	5690353001	O Ring	yes		1
41	5620074008	Screw	yes		2
42	3706839001	Angle Support	no		1
43	2824876002	Left Gear Case ASSY	yes		1
44	5620213003	Hexagon Socket Screw	yes		1

45	5650598001	Washer	yes		2
46	5620216003	Hexagon Socket Screw	yes		2
201	2824872002	Blade Set	yes		1
202	2826183002	Connecting Tube ASSY	no		1
203	2826624001	Gear Case ASSY	no		1



		HTA2000S DC Multi-head Hedge Trimmer Tools		0760074001_S	
		HTA2000S 直流修枝杆器成品			
		Exploded View		VERSION	A
				SCALE	1:3.3
		Designed by		徐 伟	
		Checked by		严荣军	
		Approved by			
RevNo	Date	Revision note		Effective Date : 2018-12-29	
				CHERVON	