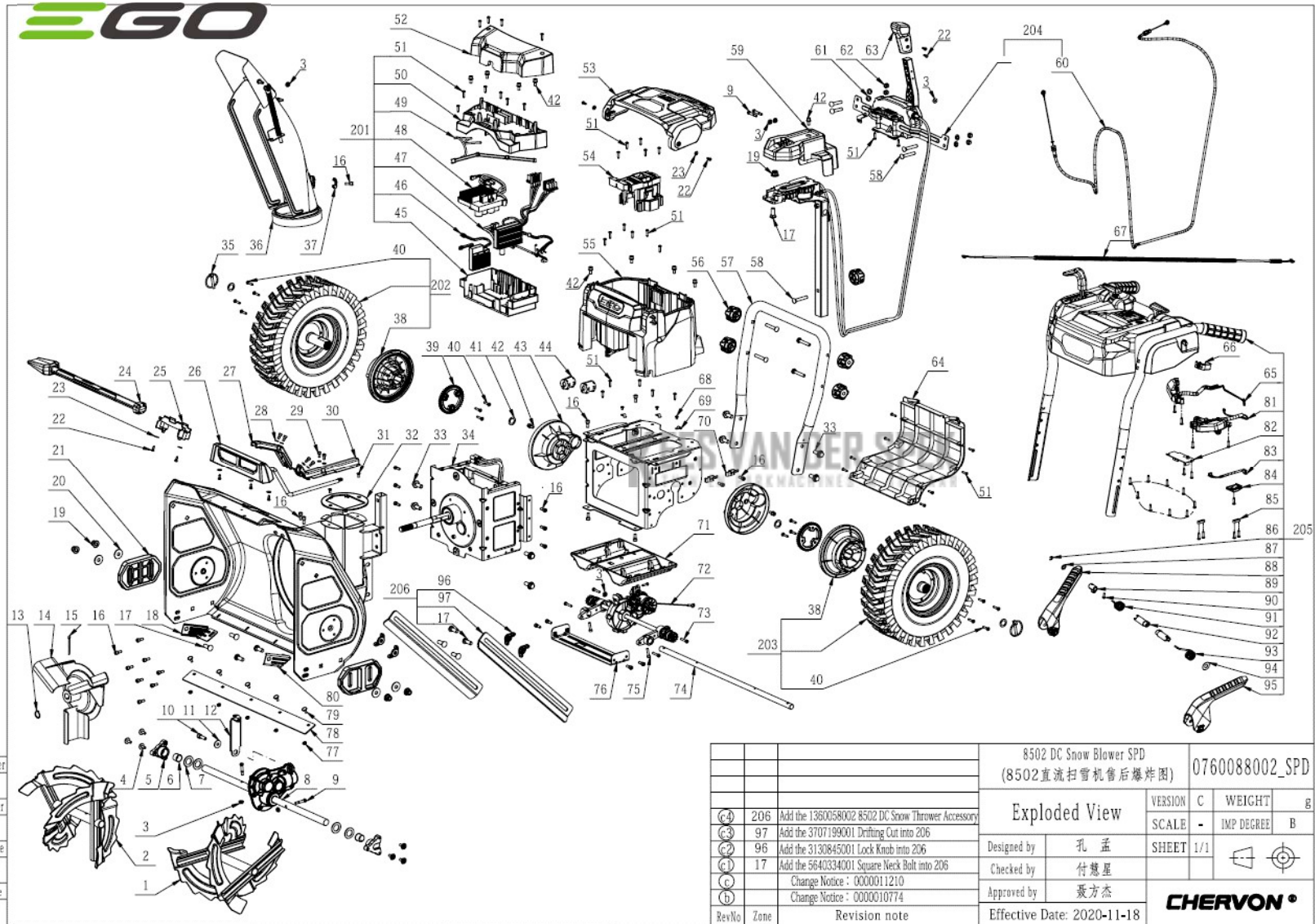


# Repair Parts\_Snow Blower\_8502(SNT2400E)



		8502 DC Snow Blower SPD (8502直流扫雪机售后爆炸图)		0760088002_SPD	
		Exploded View		VERSION	C
				SCALE	-
		Designed by	孔孟		
		Checked by	付慧星		
		Approved by	聂方杰		
		Effective Date:	2020-11-18		
RevNo	Zone	Revision note			
(A)	206	Add the 1360058002 8502 DC Snow Thrower Accessory			
(B)	97	Add the 3107199001 Drifting Cut into 206			
(C)	96	Add the 3130845001 Lock Knob into 206			
(D)	17	Add the 5640334001 Square Neck Bolt into 206			
		Change Notice : 0000011210			
		Change Notice : 0000010774			

**CHEVRON®**

Index No.	Art. No.	Description	Technical Information	Tariff Code	QTY in machine	Weight (g)	Size LxWxH (mm)	MPQ
1	2826952001	Left Auger Assembly		8431498000	1	2200	275x275x266	1
2	2826951001	Right Auger Assembly		8431498000	1	2200	275x275x266	1
3	5630013003	Prevailing Torque Hexagon Nut		7318166090	7	3,5	6x6x5.7	10
4	5620563002	Flange Bolt		7318158898	6	8,5	18x18x22	10
5	3521228001	Pivot Shoe		8431498000	2	184	70x70x28.5	1
6	3130764001	Plastic Sleeve		3926909790	2	10	23x23x17	1
7	5650730001	Plain Washer		7318220098	4	12,5	34x21x2	10
8	2790532001	Front Gear Case Assembly		8483409099	1	3300	171x576x141	1
9	5670548001	Pin		8431498000	4	10	11x11x40	10
10	5620023004	Hexagon Socket Screw		7318156898	1	14	13x13x22	10
11	5650024005	Plain Washer		7318220098	1	5,5	24x8x2	10
12	3707183001	Support Plate		8431498000	1	110	130x48x44	1
13	5660297001	Circlip For Shaft		7318290090	1	1	20x20x1.2	10
14	2826953001	Impeller Assembly		8431498000	1	3000	300x300x77.5	1
15	5670545001	Split Pin		7318240090	1	7	4x4x50	10
16	5620340004	Hexagon Socket Screw		7318156898	27	5,5	10x10x22	10
17	5640334001	Square Neck Bolt		7318159590	9	20	19x19x33	10
18	3707532001	Support Plate		8431498000	1	102,6	91x43.5x80	1
19	5630267001	Nut		7318169990	5	13	20x20x13.5	10
20	5650731001	Plain Washer		7318220098	4	13	30x11x2.5	10
21		Skid Shoe	Accessory: AKS	8431498000	2	118	159x88x23	1
22	5620377003	Hexagon Socket Screw		7318156898	9	2	8x8x17	10
23	5650278002	Washer		7318210098	7	0,08	12x12x1	10
24		Shovel	Accessory: ACT	8431498000	1	240	517x60x33	1
25	3130759001	Pivot Shoe		8431498000	1	25	120x45x50.5	1
26	2827177002	LED Cover Assembly		3926909790	1	500	256x63x60	1
27	3130761001	Front Waterproof Cover		8431498000	1	19,5	172x45x65.5	1
28	5650011006	Plain Washer		7318220098	6	0,1	10x10x1	10
29	5620018005	Hexagon Socket Screw		7318156898	6	3,7	8.5x8.5x17	10
30	3130762001	Back Waterproof Cover		8431498000	1	26,5	226x45x51	1
31	5620074009	Screw		7318155898	2	2	9x9x12	10
32	3130763001	Plate		8431498000	1	23	140x140x9.5	1
33	5640226003	Flange Bolt		7318158298	8	26	22x22x34	1

34	2790552001	Motor And Gear Case Assembly		<b>8501320099</b>	1	6500	282.5x292x385	1
35	5670546001	Lock Pin		<b>7318240090</b>	2	23	6x6x42	10
36	2827178002	Chute Assembly		<b>8431498000</b>	1	2200	571x292x385	1
37	3707212001	Mounting Plate		<b>8431498000</b>	1	12,5	26x20x11	10
38	3570047001	Ring Gear		<b>8483908990</b>	2	254	170x170x85	1
39	3570046001	Gear		<b>8483908990</b>	2	140	90x90x8	10
40	5610224002	Hexagon Lobuar Screw		<b>7318149999</b>	14	3,18	9.5x9.5x27	10
41	5650272002	Washer		<b>7318220098</b>	4	0,5	25.4x25.4x0.8	10
42	5610371001	Screw and Washer Assembly		<b>7318156898</b>	11	6,5	10x10x22	10
43	3130603001	Hubcap		<b>3926909790</b>	2	86	160x160x57	1
44	3680311001	Magnet Ring		<b>8548909099</b>	2	158,4	13x30.75x39	10
45	3130592001	Support		<b>8431498000</b>	1	206	248.5x119x70	1
46	2830683001	Electric Assembly		<b>8537109899</b>	1	60	73x65x50	1
47	2830682001	Electric Assembly		<b>8537109899</b>	1	115	65x91x100	1
48	2830681001	Electric Assembly		<b>8537109899</b>	1	220	123x104.5x80	1
49	4860615002	Internal Wire ASSY		<b>8544499500</b>	1	10	125x25x25	1
50	3130591001	Cover		<b>8431498000</b>	1	308	305x83x137	1
51	5620157006	Hexagon Socket Screw		<b>7318149999</b>	57	1,95	4.2x4.2x19	10
52	3130590001	Wire Box		<b>3926909790</b>	1	106	302x121x71	1
53	2827161001	Battery Cover Assembly		<b>8431498000</b>	1	311	339x246x77	1
54	2824683002	Support ASSY		<b>3926909790</b>	1	161	145x125x102	1
55	2827493001	Battery Box Assembly		<b>8431498000</b>	1	1500	349x286x244	1
56	3130766001	Knob		<b>7318169990</b>	5	28	47x47x35	1
57	3707146001	Steel Tube		<b>8431498000</b>	1	1280	477x383x45	1
58	5640326001	Square Neck Bolt		<b>7318159590</b>	9	24	16x16x55	10
59	3130657001	Top Cover		<b>8431498000</b>	1	186	235x136x117	1
60	3650243001	Wire Rope		<b>7312108119</b>	1	600	300x300x6	1
61	5650025001	Plain Washer		<b>7318210098</b>	4	1,8	16x16x1.6	10
62	5630271001	Nut		<b>7318166090</b>	4	4,5	13x15x8.5	10
63	3130647001	Upper Handle		<b>8431498000</b>	1	100	110x50x42	1
64	3130602001	Rear Cover		<b>8431498000</b>	1	370	222x288x228	1
65	2827195001	Right Lampshade Assembly		<b>9405409990</b>	1	50	130x60x40	1
66	3130656001	Wire Holder		<b>3926909790</b>	1	5	42x40x16	1
67	4860719002	Wiring Harness		<b>8544499500</b>	1	32	160x160x30	1
68	5620037006	Screw		<b>7318155898</b>	3	0,8	8x8x9	10
69	3707137001	Mounting Plate		<b>8431498000</b>	3	2	19x9x8	10
70	3707119001	Support Plate		<b>8431498000</b>	2	16	32x30x25	1
71	3130601001	Bottom Battery Cover		<b>8431498000</b>	1	217	273x190x60.5	1

72	2827661001	Self-Propelled Unit		<b>8501310099</b>	1	3000	413x139x180	1
73	5620550002	Hexagon Socket Screw		<b>7318156898</b>	4	5,7	8.5x8.5x30	10
74	3553381001	Shaft		<b>8431498000</b>	1	945	16x16x610	1
75	5620216006	Hexagon Socket Screw		<b>7318156898</b>	2	5	9x9x30	10
76	2826854001	Support Assembly		<b>8431498000</b>	1	380	284x68x35	1
77	5630008002	Prevailing Torque Hexagon Nut		<b>7318166090</b>	5	4	13x13x5	10
78	3707182001	Scraper		<b>8431498000</b>	1	605	580x45x3	10
79	5640333001	Square Neck Bolt		<b>7318159590</b>	5	4	14x14x16	10
80	3707533001	Support Plate		<b>8431498000</b>	1	102,6	91x43.5x80	1
81	2827191001	Left Transparent Cap Assembly		<b>9405409990</b>	1	50	130x60x40	1
82	4891881002	Switch PCBA		<b>8537109899</b>	1	20	90x40x30	1
83	4860556002	Wiring Harness		<b>8544429090</b>	1	10	30x30x10	1
84	3130655001	Cover		<b>8431498000</b>	1	3,2	37.3x31.8x10.3	1
85	3120589002	Cord Anchorage		<b>3926909790</b>	2	3	8x8x25	10
86	5660139002	E Ring		<b>7318290090</b>	1	0,4	6x6x1	10
87	5650557002	Washer		<b>7318220098</b>	1	1	10x16x1.5	10
88	3403122001	Right Control Handle		<b>8431498000</b>	1	105	218x98x95	1
89	3580011001	Spindle Bush		<b>8431498000</b>	1	4,8	9.2x15x23.5	1
90	5620511003	Hexagon Socket Screw		<b>7318156898</b>	1	1	8x8x14	10
91	3660781001	Torsion Spring		<b>7320202090</b>	1	60	66x50x26	10
92	3130650001	Switch Actuator		<b>8538909999</b>	2	8,8	9x18x52.5	1
93	3660780001	Torsion Spring		<b>7320202090</b>	1	60	66x50x26	10
94	5650214001	washer		<b>7318220098</b>	1	1	12.2x26x1	10
95	3130665001	Left Control Handle		<b>8431498000</b>	1	106	218x98x95	1
96	3130845001	Lock Knob		<b>8431498000</b>	4	15	44x25x16	1
97	3707199001	Drifting Cut		<b>8431498000</b>	2	720	480x15.4x56.2	1
201	2830708002	Electric Assembly		<b>8537109899</b>	1	930,7	300x200x110	1
202	2827164004	Wheel Assembly		<b>8431498000</b>	1	2500	360x360x155	1
203	2827163004	Wheel Assembly		<b>8431498000</b>	1	2500	360x360x155	1
204	2827193002	Adjusting Handle Set		<b>8431498000</b>	1	2500	450x136x117	1
205	2827408001	Handle Assembly		<b>8431498000</b>	1	4500	748x554x429	1
206	2828294001	Drifting Cut Assembly		<b>8431498000</b>	1	1580	500x30x60	1