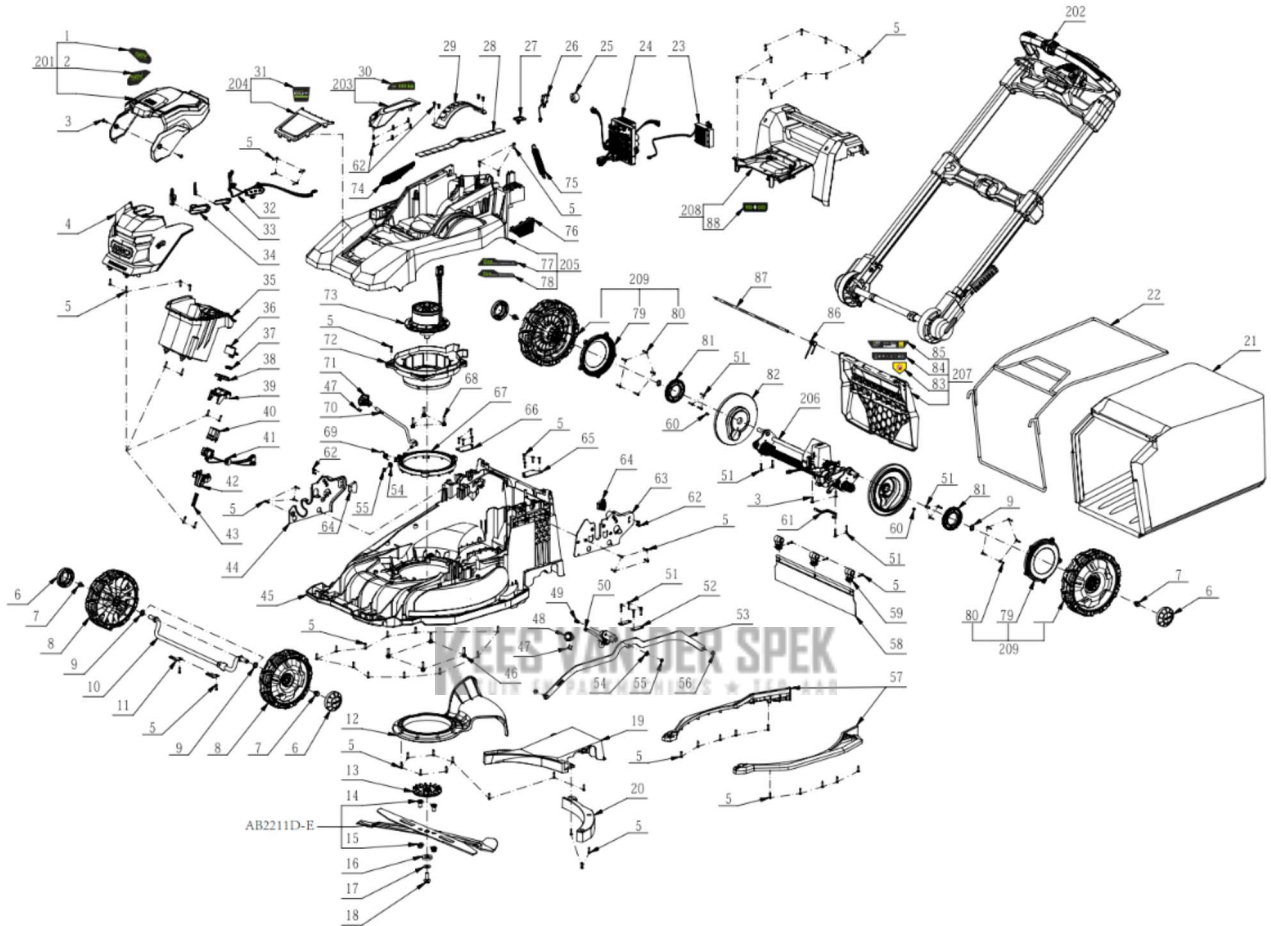


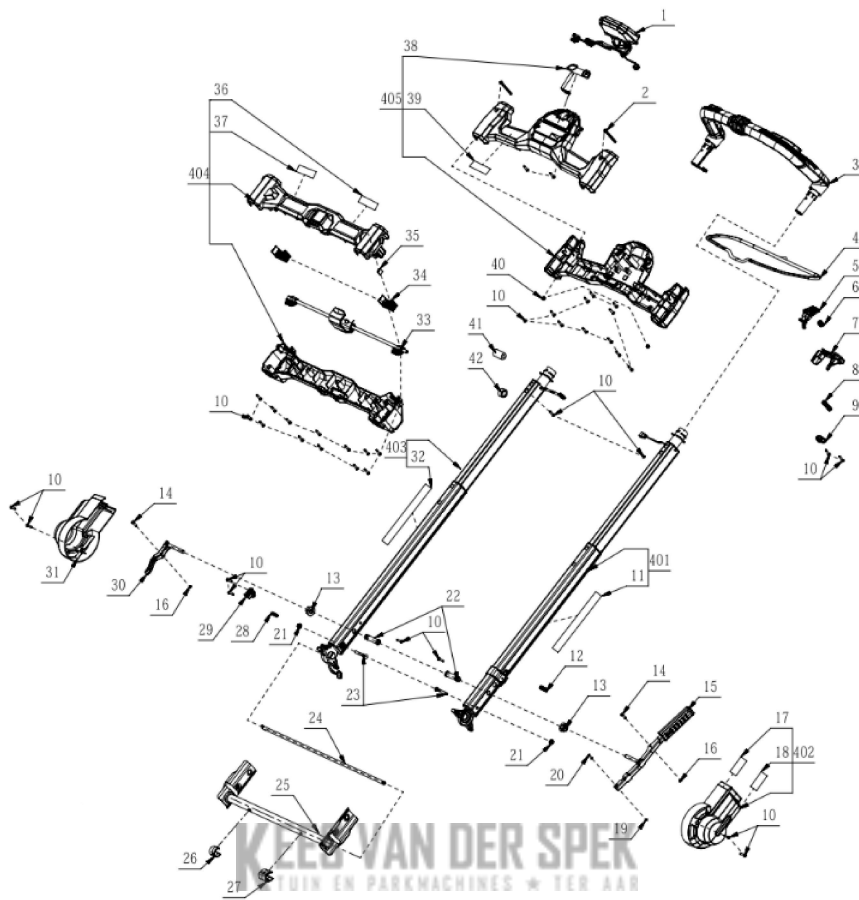


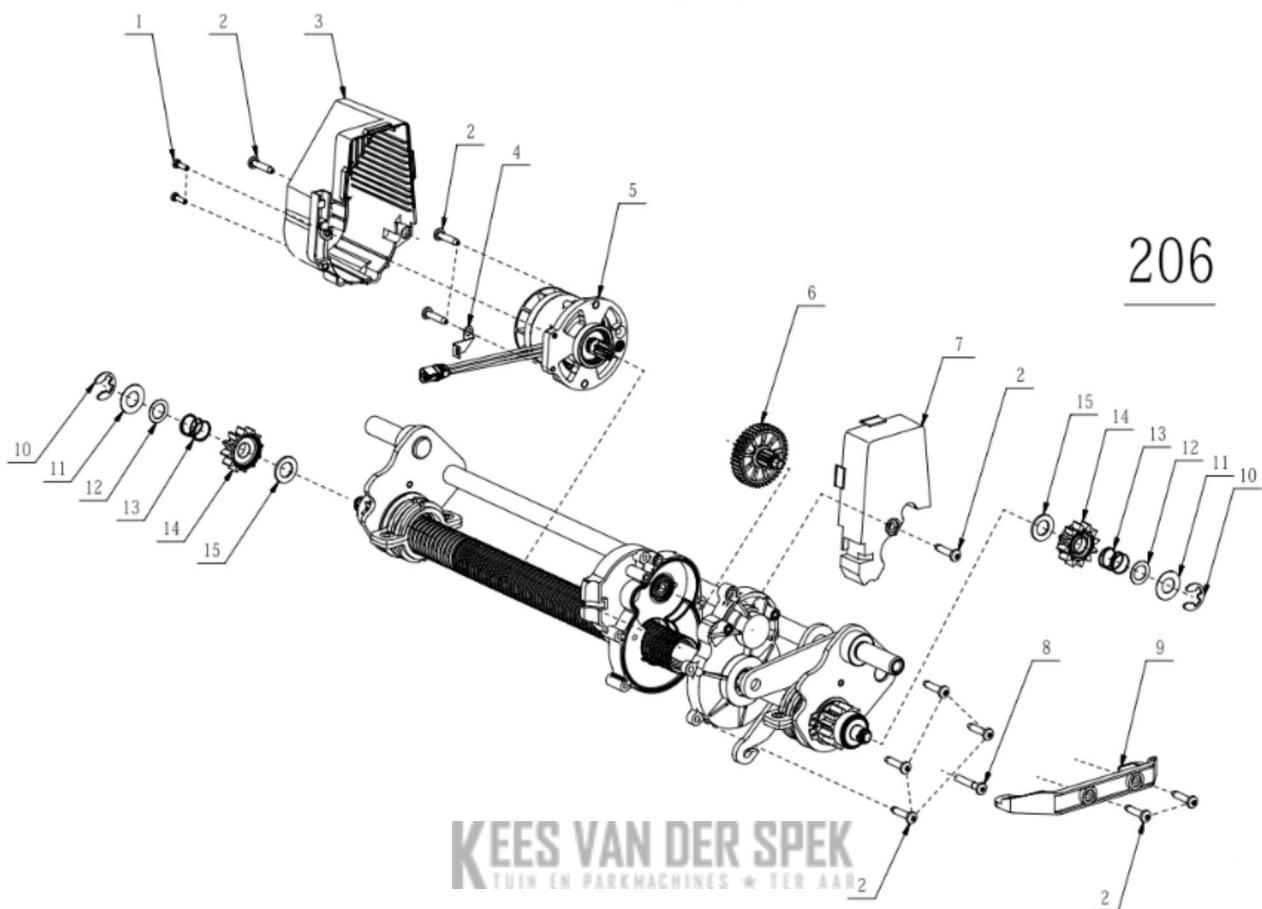
Model: LM2230E-SP  
Model version: A  
Introduction Year: 2025

SN Start:  
SN End:



202





#	Article Number	Description	Qty	Replacement	Technical Notes
1	2246383001	Nameplate	1		
2	2246383002	Nameplate	1		
3	5610893001	Hexalobular Socket Pan Hea	4		
4	2852060001	Front Cover Assembly	1		
5	5620157006	Hexagon Socket Screw	82		
6	3131636001	Wheel Hub Cover	4		
7	5640010003	Hexagon Flange Bolt	4		
8	2851212001	Front Wheel Assembly	2		
9	5650453001	Wave Washer	4		
10	2851192001	Front Axle Set	1		
11	3705216001	Mounting Plate	2		
12	2852152001	Sliding Block Assembly	1		
13	3403110001	Fan	1		
14	5640538001	Mushroom Head Square Ne	2		
15	5630543001	Prevailing Torque Type Hexa	2		
16	5650705002	Washer	1		
17	5651174001	Conical Spring Washer	1		
18	5640630001	Flange Bolt	1		
19	3136096001	Rear Enclosure	1		
20	3136095001	Support Base	1		
21	3800246004	Grass Catcher	1		
22	3709186001	Bag Frame	1		
23	2832289001	Self-propelled Control Electr	1		
24	2832365001	Main Electric Assembly	1		
25	3680389001	Magnet Ring	1		
26	2826165004	Switch Assembly	1		
27	3706726001	Spring Seat	1		
28	2851421001	Dust Board Assembly	1		
29	3709646001	Depth Stop Plate	1		
30	2246380001	Nameplate	1		
31	2246382001	Nameplate	1		
32	2852061001	LED Holder Assembly	1		
33	3901055001	L R Transparent Cover Set	1		
34	3901056001	L R Bracket Set	1		
35	3403694001	Battery Box	1		
36	3126760001	Release Button	1		
37	3660303002	Spring	1		
38	3126772001	Sliding Block	1		
39	3131425001	Support Base	1		
40	3131427001	Sliding Block	1		
41	3403696001	Connecting Seat Wire Asser	1		
42	3131426001	Supporting Structure	1		
43	3660979001	Compression Spring	1		
44	3709600001	Right Supporting Plate	1		
45	3136225001	Deck	1		
46	5640217003	Bolt and Washer Set	4		
47	5620065004	Screw	4		
48	3323843001	Height Adjusting Lever	1		
49	5670814001	Pin Shaft	1		
50	2851659001	Adjusting Handle Set	1		
51	5620480002	Screw	14		
52	3705398001	Mounting Plate	2		
53	2851210001	Connecting Rod Assembly	1		
54	5650025004	Plain Washer	2		
55	5660139002	E Ring	2		
56	5630013003	Prevailing Torque Hexagon f	2		
57	3901058001	L R Cover Set	1		
58	3134857001	Trail Shield	1		
59	3129770001	Bevel Support	3		
60	5620067010	Screw	2		
61	3710035001	Earth Plate	1		
62	5620377003	Hexagon Socket Screw	14		
63	3709601001	Left Supporting Plate	1		
64	3134881001	Bottom Board	2		
65	3710018001	Left Fixing Block	1		

**KEES VAN DER SPEK**  
TUIN EN PARKMACHINES W TER AAR

66	3706195001	Right Fixing Block	1
67	2851645001	Sliding Block Assemb	1
68	5640217004	Bolt and Washer Set	3
69	3668051001	Torsion Spring	1
70	2851118001	Adjusting Lever Set	1
71	3323948001	Adjusting Handle	1
72	3403667001	Motor Support	1
73	2730412001	DC Motor	1
74	3136275001	Right Fan Baffle	1
75	3668093001	Tension Spring	1
76	3136274001	Left Fan Baffle	1
77	2246384002	Nameplate	1
78	2246385002	Nameplate	1
79	3128957001	Ring Gear	1
80	5610042014	Tapping Screw	5
81	3520933001	Gear	2
82	3128946001	Protecting Cap	2
83	2244424001	Nameplate	1
84	2246060005	Warning Nameplate	1
85	2246059006	Warning Nameplate	1
86	3668002001	Torsion Spring	1
87	5670757001	Shaft	1
88	2246386001	Nameplate	1
201	2851636002	Battery Box Cover Assembly	1
202	2851685004	Handle Assembly	1
202-1	2852024002	Switch Box Assembly	1
202-2	5620161005	Hexagon Socket Screw	2
202-3	2851681001	Handle Set	1
202-4	2851405001	Control Handle Set	1
202-5	3133864001	Button	1
202-6	3660011002	Spring	1
202-7	3131603001	Switch Actuator	1
202-8	3660562001	Compression Spring	1
202-9	3126763001	Clamp	1
202-10	5620157006	Hexagon Socket Screw	38
202-11	2246388001	Nameplate	1
202-12	3660565001	Compression Spring	1
202-13	5630268001	Nut	2
202-14	3550048003	Pin	2
202-15	2851679001	Adjusting Lever Set	1
202-16	5660245001	"E" Ring	2
202-17	2246381001	Nameplate	1
202-18	2246381002	Nameplate	1
202-19	5660302001	E Ring	1
202-20	5670142001	Pin Shaft	1
202-21	5630263002	Flange Nut	2
202-22	3556190001	Sleeve	2
202-23	5640563001	Semicircular Head Square N	2
202-24	2852032001	Connecting Spindle	1
202-25	2851354001	Spindle Assembly	1
202-26	3135605001	Lock Sleeve	1
202-27	3129714001	Switch Actuator	1
202-28	3660340002	Spring	1
202-29	3135802001	Support	1
202-30	2852033001	Connecting Rod Assembly	1
202-31	3135791001	Right Decorate Cover	1
202-32	2246387001	Nameplate	1
202-33	2851173001	Control Handle Set	1
202-34	2851172001	Lock Assembly	2
202-35	3680348001	Magnetic Block	1
202-36	2246379001	Nameplate	1
202-37	2246379002	Nameplate	1
202-38	4871029002	Film Switch	1
202-39	2246378001	Nameplate	1
202-40	5630006002	Prevailing Torque Hexagon f	2
202-41	3680235001	Magnetic Block	1
202-42	3680171001	Magnet Ring	1

KES VAN DER SPEK  
 EN PARKMACHINES - TER AAR

202-401	2851670002	Left Telescope Tube Assemt	1
202-402	3135792002	Left Decorate Cover	1
202-403	2851680002	Right Telescope Tube Assem	1
202-404	3900901002	Beam Assembly	1
202-405	2852023002	Switch Box Assembly	1
203	2851674002	Middle Cover Assembly	1
204	3136279002	Decorative Cover	1
205	2851675003	Top Cover Assembly	1
206	2851663001	Self-Propelled Unit	1
206-1	5620033010	Screw	2
206-2	5620157006	Hexagon Socket Screw	10
206-3	3134922001	Dust Cover	1
206-4	3710109001	Earth Plate	1
206-5	2829506001	Motor & Gear Assembly	1
206-6	2826428002	Gear Set	1
206-7	3129891001	Dust Cover	1
206-8	5620480002	Screw	1
206-9	3128943001	Support	1
206-10	5660246001	E Ring	2
206-11	5650599002	Clamp Washer	2
206-12	5650709001	Plain Washer	2
206-13	3660177003	Spring	2
206-14	3128958001	Clutch Gear	2
206-15	5650605001	Rubber Gaske	2
207	3134964007	Rear Cover	1
208	2851638002	Service Cover Assembly	1
209	2829041002	Rear Wheel Assembly	2

**KEES VAN DER SPEK**  
 TUIN EN PARKMACHINES \* TER AAR