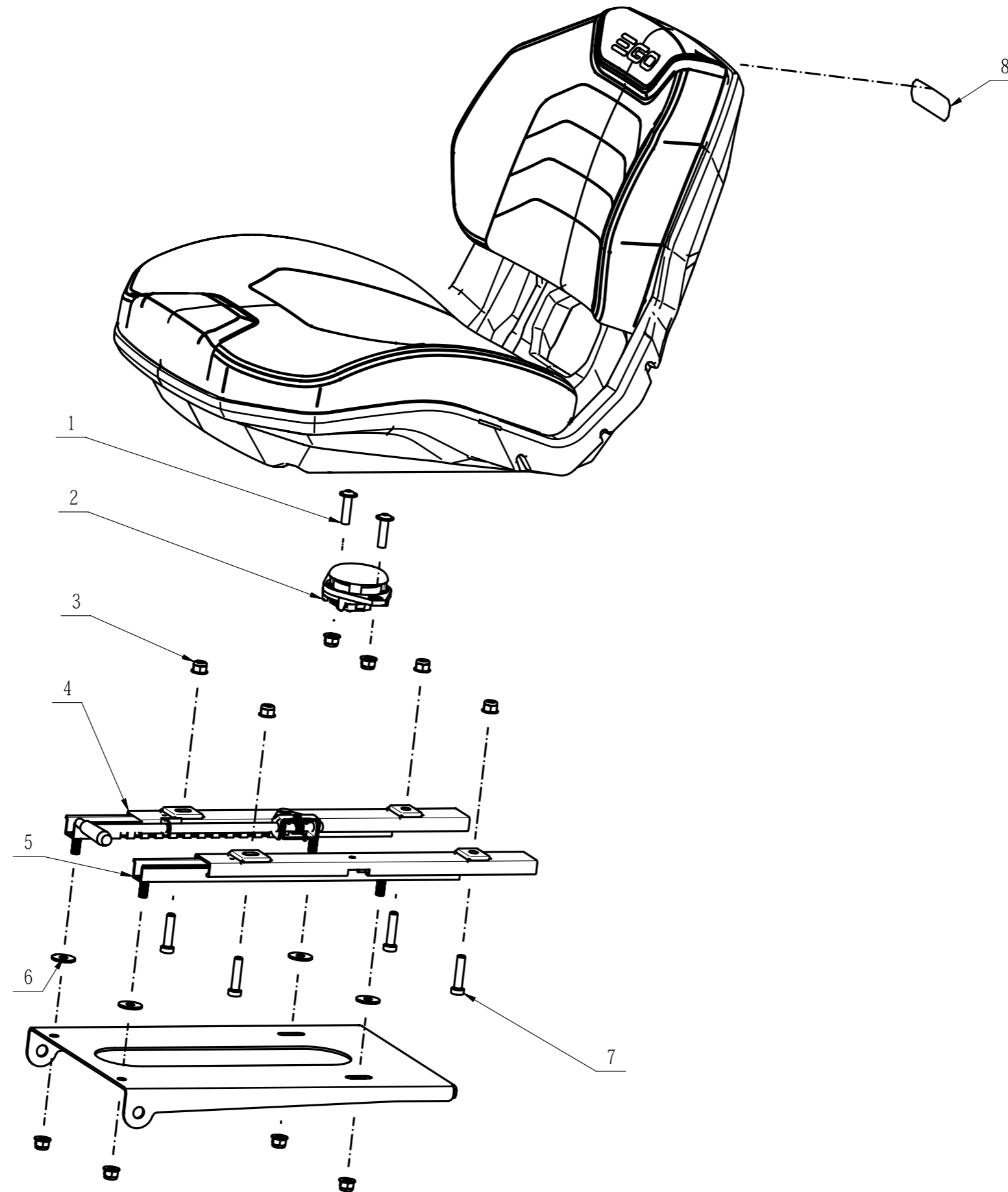


Index No.	Onderdeelnummer	Description EN	Partnumber	QTY in machine
1	2246023002	Nameplate	2246023002	1
2	3134258003	Right Cover Plate	3134258003	1
3	2246019001	Nameplate	2246019001	1
4	3134260001	Storage Box Top Cover	3134260001	1
5	2850177003	Rear Cover Assembly	2850177003	1
6	2246076001	Nameplate	2246076001	1
7	3134261002	Rear Guard	3134261002	1
8	5630507001	Anti-stripping Clip	5630507001	3
9	5630516001	Conical Nut	5630516001	8
10	2829492001	Rear Wheel Set	2829492001	2
11	3134257001	Adjusting Handle	3134257001	1
12	5610388001	Hexalobular Socket Thread Forming Screw	5610388001	1
13	3667857001	Torsion Spring	3667857001	1
14	3708920001	Handle Lever	3708920001	1
15	2829635003	Cover Assembly	2829635003	1
16	2850764001	Lift Shaft Assembly	2850764001	1
17	2829438001	Rocker Assembly	2829438001	1
18	5670553001	Pin Shaft	5670553001	2
19	2829621001	Base Assembly	2829621001	1
20	3667856001	Tension Spring	3667856001	1
21	2829349001	Base Assembly	2829349001	1
22	5640363002	Flange Bolt-Large Series	5640363002	4
23	3708924001	Hitch	3708924001	1
24	2245663001	Nameplate	2245663001	1
25	5640530001	U Bolt	5640530001	4
26	5630505001	Hex Nut	5630505001	2
27	3555993001	Spindle	3555993001	2
28	5650178001	Washer	5650178001	2
29	5640507001	Bolts for T-Slot	5640507001	2
30	3667850001	Compression Spring	3667850001	2
31	3323511001	Decorative Cover	3323511001	1
32	5630070003	Nut	5630070003	3
33	3403459001	Steering Wheel Assembly	3403459001	1
34	2246024002	Nameplate	2246024002	1
35	5650017011	Plain Washer	5650017011	4
36	2246022002	Nameplate	2246022002	1
37	5640302001	Hexagon Head Bolt	5640302001	2
38	3708866001	Pressure Plate	3708866001	2
39	5630267001	Nut	5630267001	8
40	5630511001	Nut	5630511001	1
41	3708913001	Depth Stop Plate	3708913001	1
42	3134839001	Splash Guard	3134839001	1
43	3134267001	Decorative Ring	3134267001	1
44	5670184002	Pin	5670184002	2
45	5640360001	Hexagon Flange Head Thread Forming Screw	5640360001	35
46	3708979001	Close Cover	3708979001	1
47	3135103001	Fixed Unit	3135103001	3
48	5611051001	Hexagon Flange Head Thread Forming Screw	5611051001	12
49	5640354001	Flange Bolt-Large Series	5640354001	4
50	3134126001	Fixed Unit	3134126001	2
51	3134127001	Bottom Board	3134127001	2
52	3709506001	Bracket	3709506001	1
53	3521236001	Support Base	3521236001	2
54	3707307001	Pressure Plate	3707307001	2

55	2829443001	Connecting Rod Assembly	2829443001	1
56	3667865001	Compression Spring	3667865001	1
57	3135765001	Screw Cover	3135765001	1
58	3134123001	Locking Plate	3134123001	1
59	2850266001	Protecting Net Assembly	2850266001	1
60	3134435001	Bushing	3134435001	1
61	5620157006	Hexagon Socket Screw	5620157006	4
62	2245660001	Nameplate	2245660001	2
63	5640358001	Small Round Head Low Square Neck Bolt	5640358001	6
64	5630519001	Lock Nut	5630519001	2
65	5670753001	Spring Pin	5670753001	1
66	3708859003	Pedal	3708859003	1
67	5640222001	Hexagon Flange Bolt	5640222001	2
68	3667946001	Tension Spring	3667946001	1
69	5670561002	Split Pin	5670561002	7
70	5630518001	Lock Nut	5630518001	2
71	5650908001	Plain Washer	5650908001	2
72	3134552001	Decorative Cover	3134552001	1
73	5620377003	Hexagon Socket Screw	5620377003	17
74	5611130001	Hexalobular Socket Tapping Screw	5611130001	11
75	3708858003	Pedal	3708858003	1
76	3700367001	Cord Anchorage	3700367001	1
77	5640353001	Flange Bolt-Large Series	5640353001	4
78	5630371001	Prevailing Torque Type Hexagon Lock Nut with Flange	5630371001	23
79	2850152001	Hanger Rod Assembly	2850152001	1
80	5640521001	Hexagon Head Bolt	5640521001	1
81	3580470001	Bushing	3580470001	2
82	2850198001	Front Frame Assembly	2850198001	1
83	2829678001	Front Wheel Set	2829678001	2
84	4861221001	Bus Wire Harness Assembly	4861221001	1
85	2827673001	Key Assembly	2827673001	2
86	5680369001	Open-end Wrench	5680369001	2
87	5650703001	Plain Washer	5650703001	2
88	5640510001	Hexagon Flange Head Screw with Shoulder	5640510001	3
89	5680368001	Socket Wrench	5680368001	1
90	2823689001	Quick Connect Coupling	2823689001	1
201	2829546002	Seat Assembly	2829546002	1
202	2832128001	Control Electric Assembly	2832128001	1
207	2829440001	Brake Assembly	2829440001	1
208	2829441001	Accelerator	2829441001	1
212	2850243001	Front Cover Assembly	2850243001	1
213	2850682001	Battery Box Assembly	2850682001	1
214	2851021001	Wrench Tool Set	2851021001	1



Product Description:Tractor
Model Number:TR4200E
Service Item Number:2829546002S01
Version:A
Issue Date: 2023/11/1



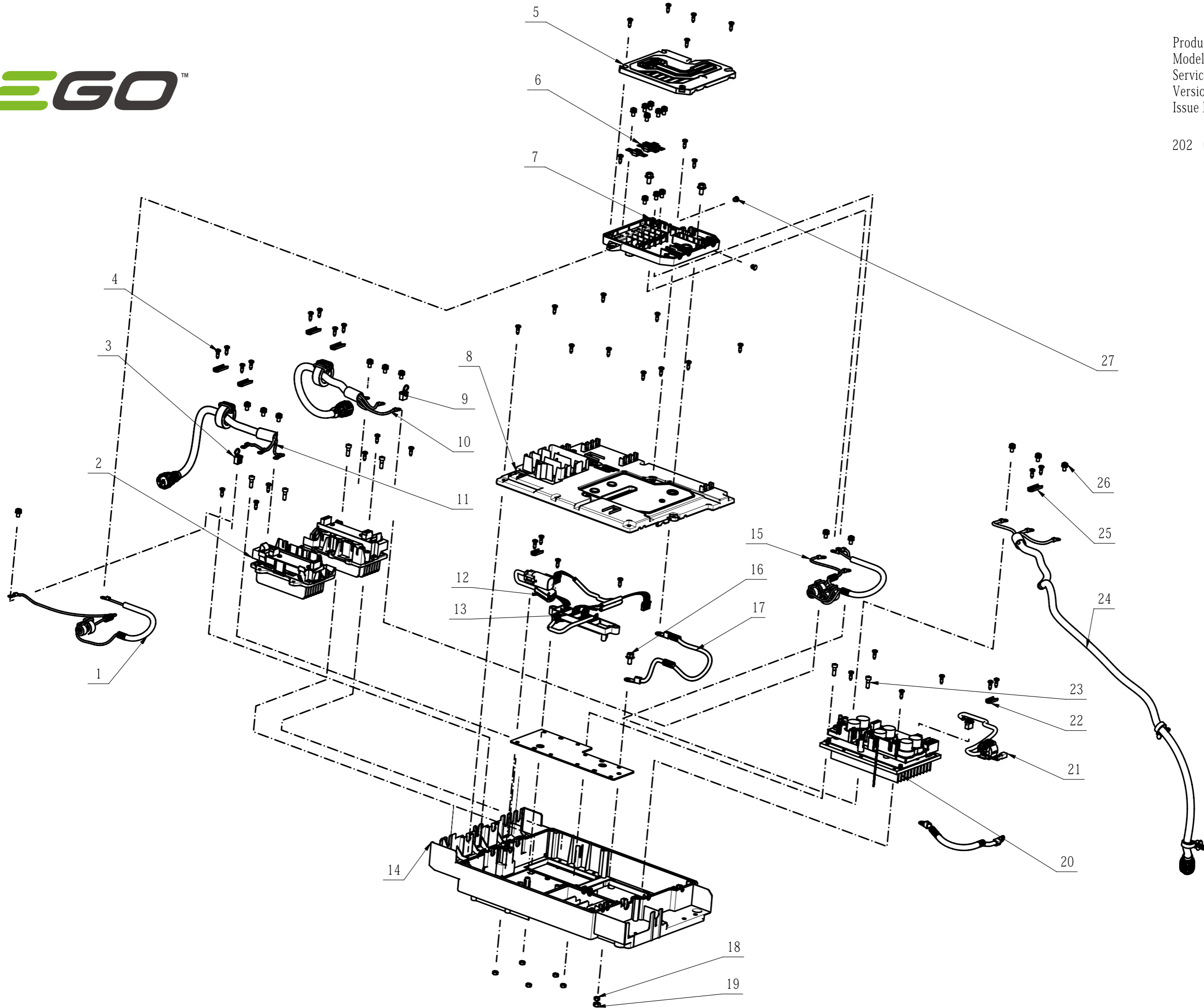
201 Seat Assembly

201-1	5611121001	Hexagon Socket Button Head Screw	5611121001	2
201-2	4870579001	Switch Assembly	4870579001	1
201-3	5630371001	Prevailing Torque Type Hexagon Lock Nut with Flange	5630371001	10
201-4	2829523001	Right Guide Rail	2829523001	1
201-5	2829522001	Left Guide Rail	2829522001	1
201-6	5650024005	Plain Washer	5650024005	12
201-7	5611175001	Hexagon Socket Head Cap Screw	5611175001	4
201-8	2246018001	Nameplate	2246018001	1



Product Description: Tractor
Model Number: TR4200E
Service Item Number: 2832128001S01
Version: A
Issue Date: 2023/11/21

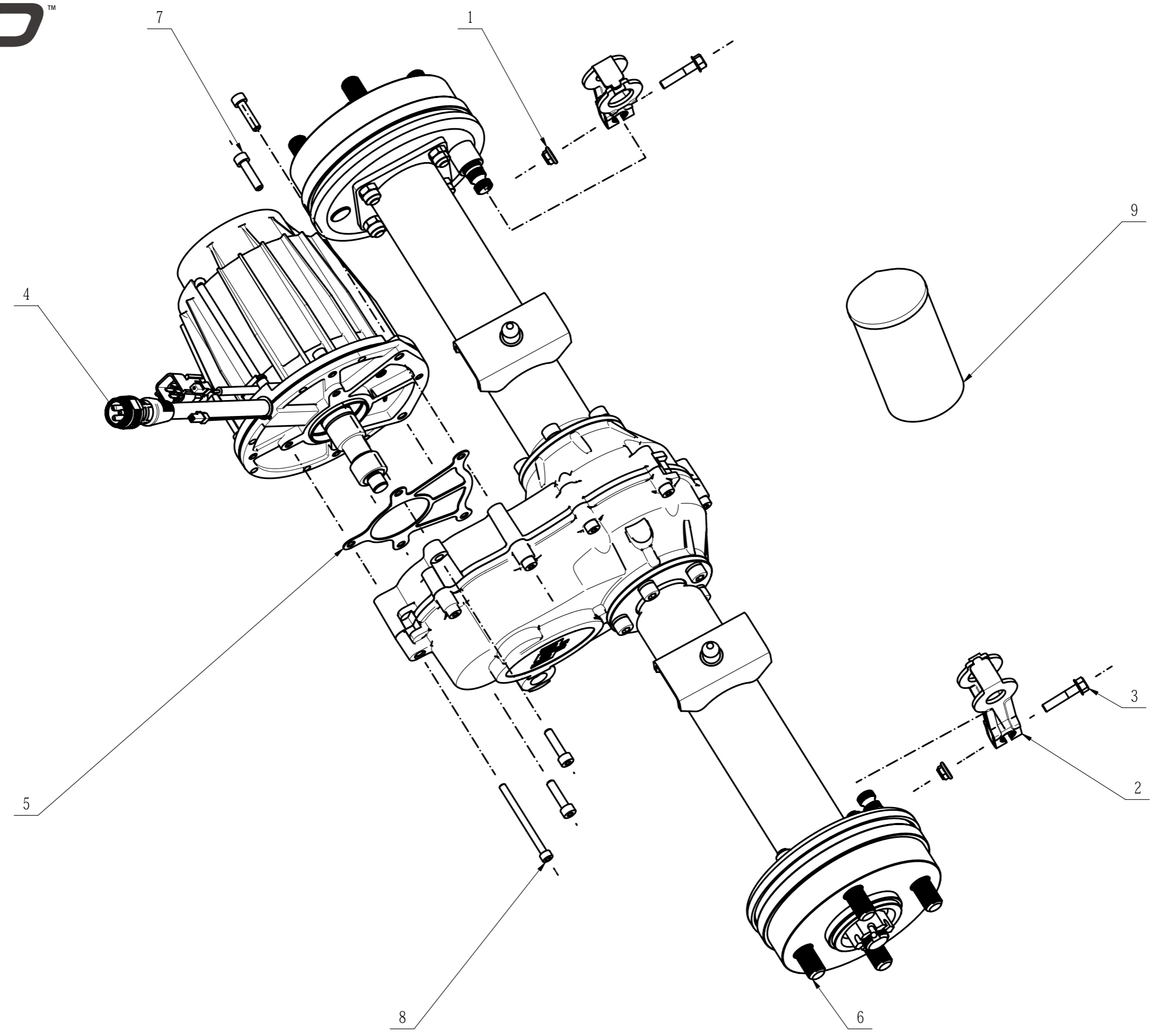
202 Control Electric Assembly



202-1	4861329001	Host Power Wire Harness	4861329001	1
202-2	2831918001	Motor Driver Electric Assembly	2831918001	2
202-3	4861204001	Motor Wiring Harness	4861204001	1
202-4	5620377003	Hexagon Socket Screw	5620377003	44
202-5	3131053001	Fuse PCB Box	3131053001	1
202-6	4970355001	Fuse	4970355001	3
202-7	2850307001	Base Assembly	2850307001	1
202-8	3135272001	Top Cover	3135272001	1
202-9	4861205001	Motor Wiring Harness	4861205001	1
202-10	4861347002	Motor Wire Harness	4861347002	1
202-11	4861347001	Motor Wire Harness	4861347001	1
202-12	3680226001	Magnetic Block	3680226001	1
202-13	2831467001	Connecting Electric Assembly	2831467001	1
202-14	3135271001	Lower Housing	3135271001	1
202-15	4861328001	Host Power Wire Harness	4861328001	1
202-16	5640373001	Hex Serrated Flange Screw	5640373001	3
202-17	4860768001	Host Power Wire Harness	4860768001	1
202-18	5630006003	Prevailing Torque Hexagon Nut	5630006003	6
202-19	5630015001	Prevailing Torque Hexagon Nut	5630015001	1
202-20	2831917001	Main Electric Assembly	2831917001	1
202-21	4861364001	Wire Harness	4861364001	1
202-22	3700367001	Cord Anchorage	3700367001	2
202-23	5620019004	Hexagon Socket Screw	5620019004	6
202-24	4861306002	Motor Wire Harness	4861306002	1
202-25	3707407001	Cord Anchorage	3707407001	5
202-26	5611128001	Screw and Washer Assembly	5611128001	21
202-27	3133018001	Waterproof Plug	3133018001	2

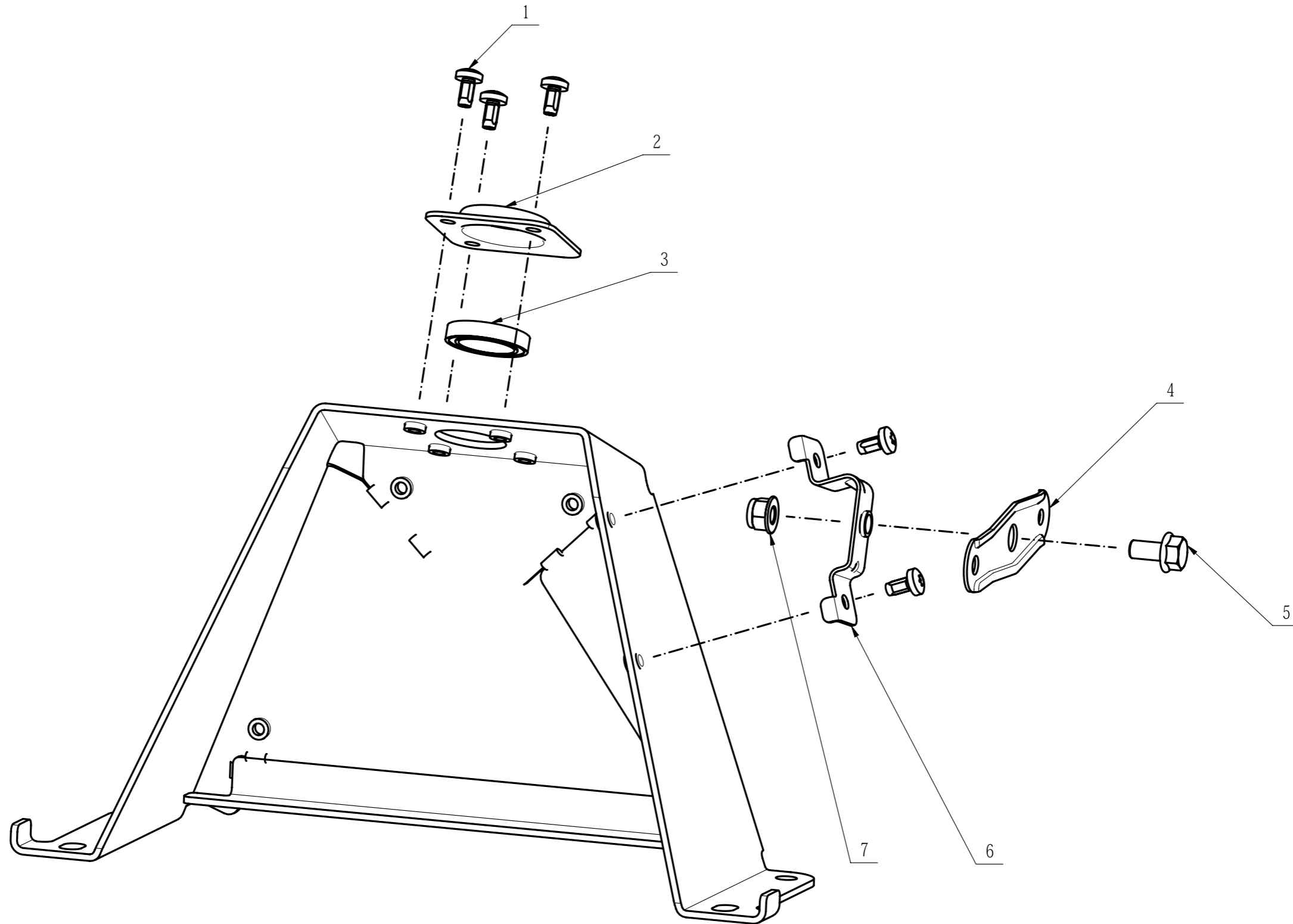


Product Description: Tractor
Model Number: TR4200E
Service Item Number: 2850164002S01
Version: A
Issue Date: 2023/10/24

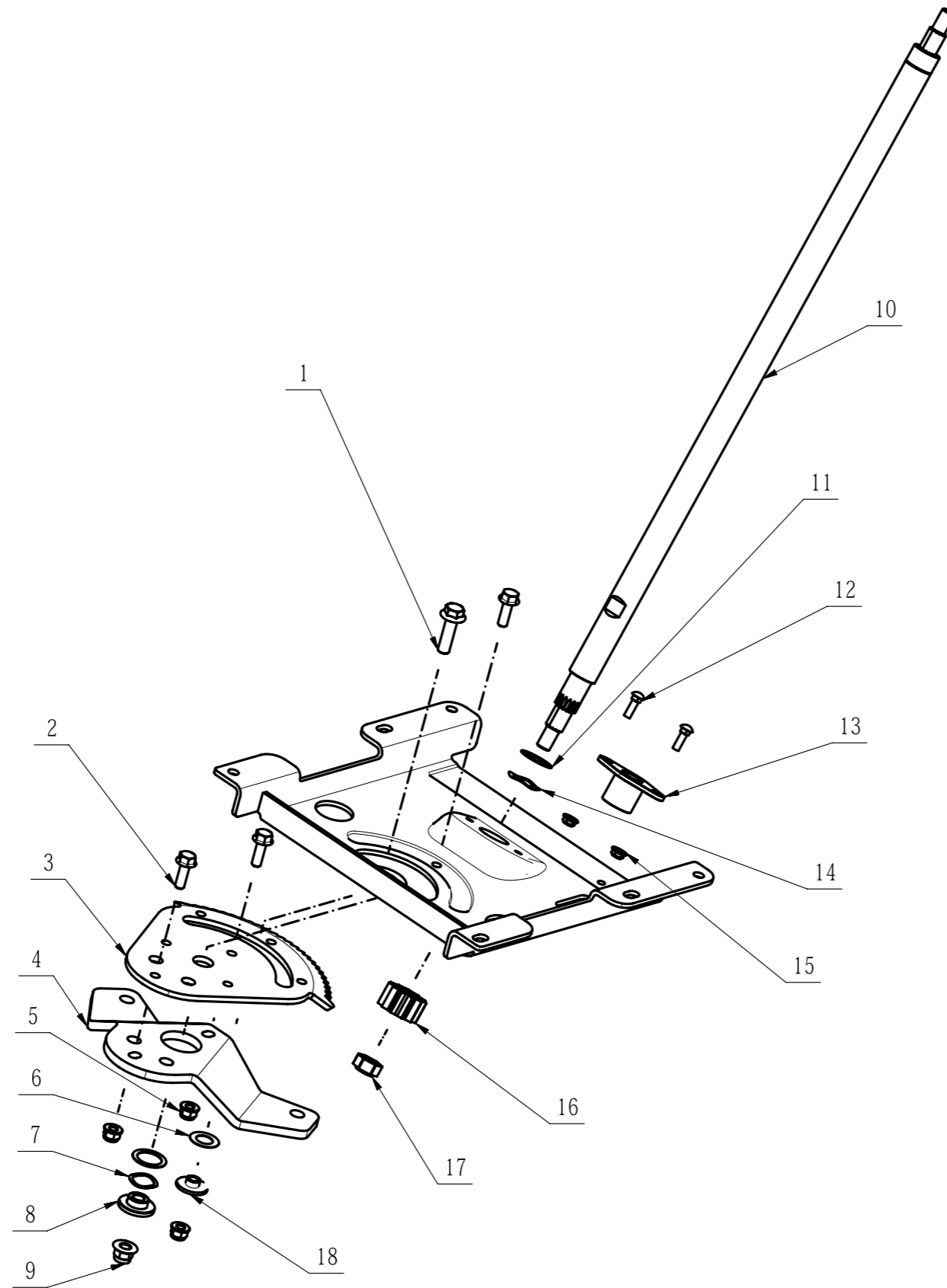


203 Drive Axle Assembly

203-1	5630244004	Nut	5630244004	2
203-2	3708883001	Rocker Arm	3708883001	2
203-3	5640536001	Flange Bolt	5640536001	2
203-4	2730382002	DC Motor	2730382002	1
203-5	5690612001	Sealing Gasket	5690612001	1
203-6	2829675001	Rear Axle Assembly	2829675001	1
203-7	5620550004	Hexagon Socket Screw	5620550004	4
203-8	5611050001	Hexagon Socket Screw	5611050001	1
203-9	5970163001	Grease	5970163001	1



204-1	5610388001	Hexalobular Socket Thread Forming Screw	5610388001	5
204-2	3708919001	Bearing Clamping Plate	3708919001	1
204-3	5700252001	Ball Bearing	5700252001	1
204-4	3708905001	Switch-plate	3708905001	1
204-5	5640222001	Hexagon Flange Bolt	5640222001	1
204-6	3708904001	Supporting Structure	3708904001	1
204-7	5630371001	Prevailing Torque Type Hexagon Lock Nut with Flange	5630371001	1

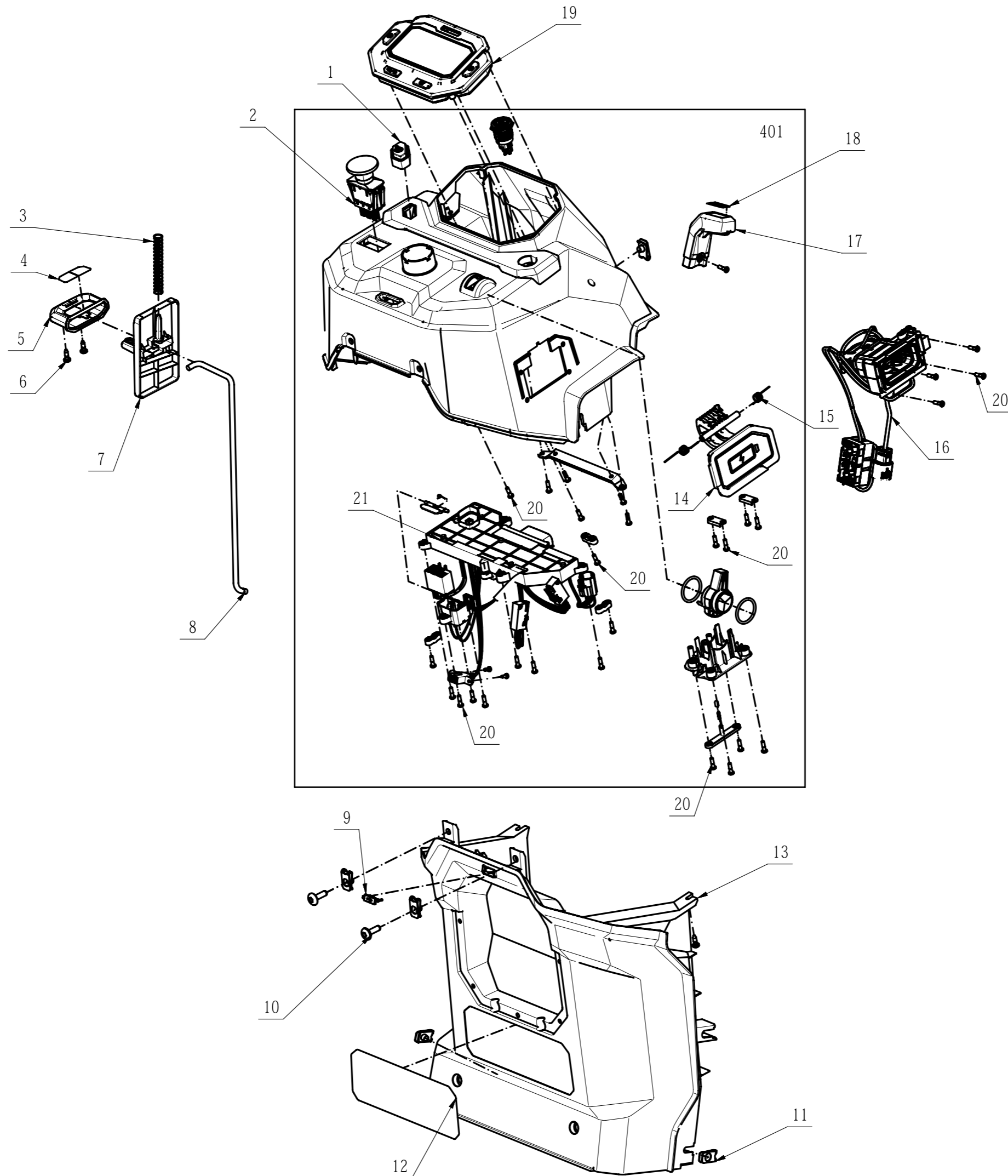


205-1	5640212002	Bolt	5640212002	1
205-2	5640354001	Flange Bolt-Large Series	5640354001	3
205-3	3708923001	Deflecting Plate	3708923001	1
205-4	3708916001	Connecting Plate	3708916001	1
205-5	5630371001	Prevailing Torque Type Hexagon Lock Nut with Flange	5630371001	3
205-6	5650366001	Washer	5650366001	1
205-7	5650288001	Wave washer	5650288001	1
205-8	3580471001	Bushing	3580471001	1
205-9	5630267001	Nut	5630267001	1
205-10	2850275001	Shaft Assembly	2850275001	1
205-11	5650246001	Washer	5650246001	2
205-12	5640357001	Semicircular Head Square Neck Bolt	5640357001	2
205-13	3522133001	Support Base	3522133001	1
205-14	5650305001	Wave Washer	5650305001	1
205-15	5630244004	Nut	5630244004	2
205-16	3570388001	Spline Gear	3570388001	1
205-17	5630070003	Nut	5630070003	1
205-18	3580472001	Bushing	3580472001	1

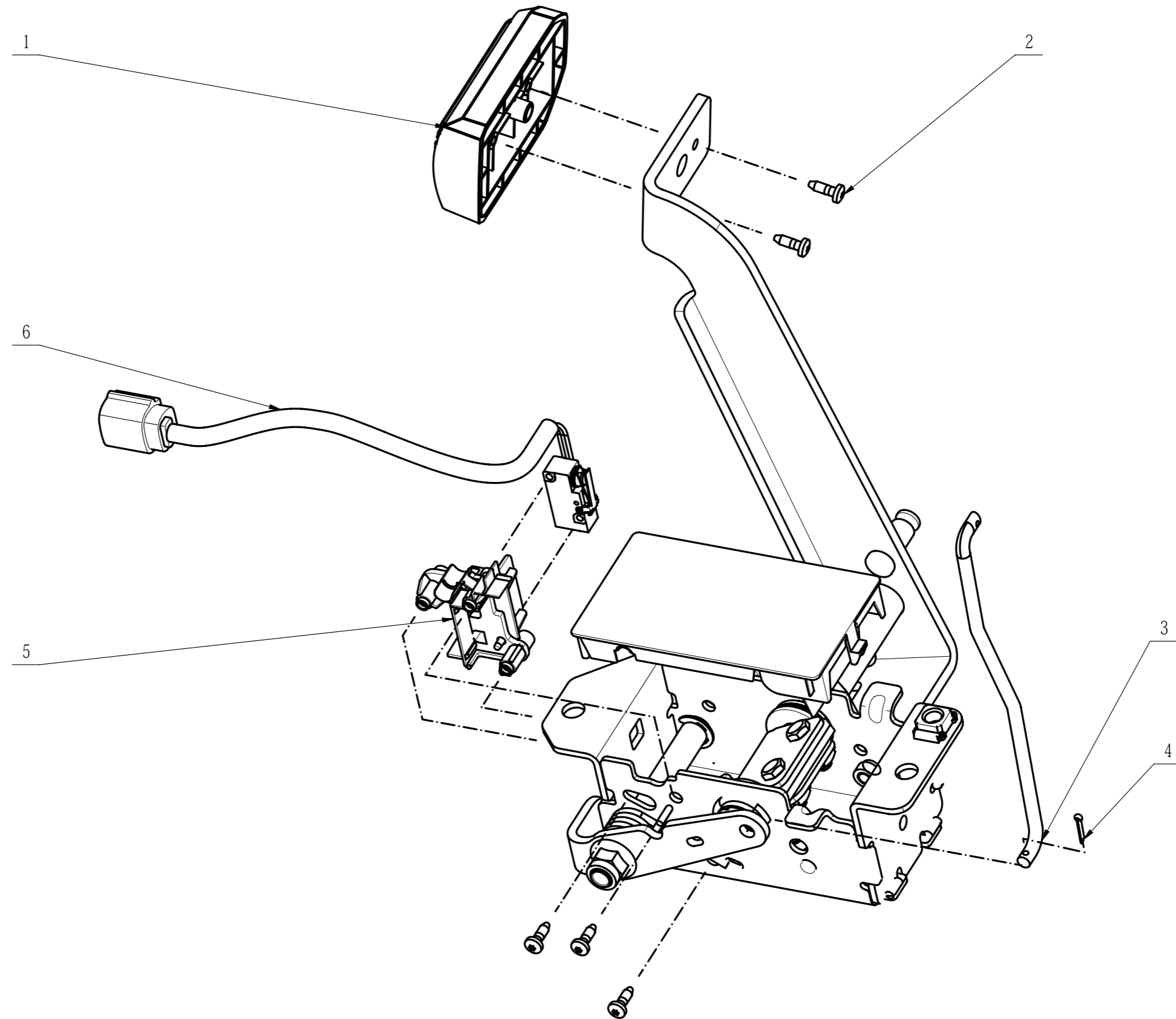


Product Description: Tractor
Model Number: TR4200E
Service Item Number: 2850220003S01
Version: A
Issue Date: 2023/11/10

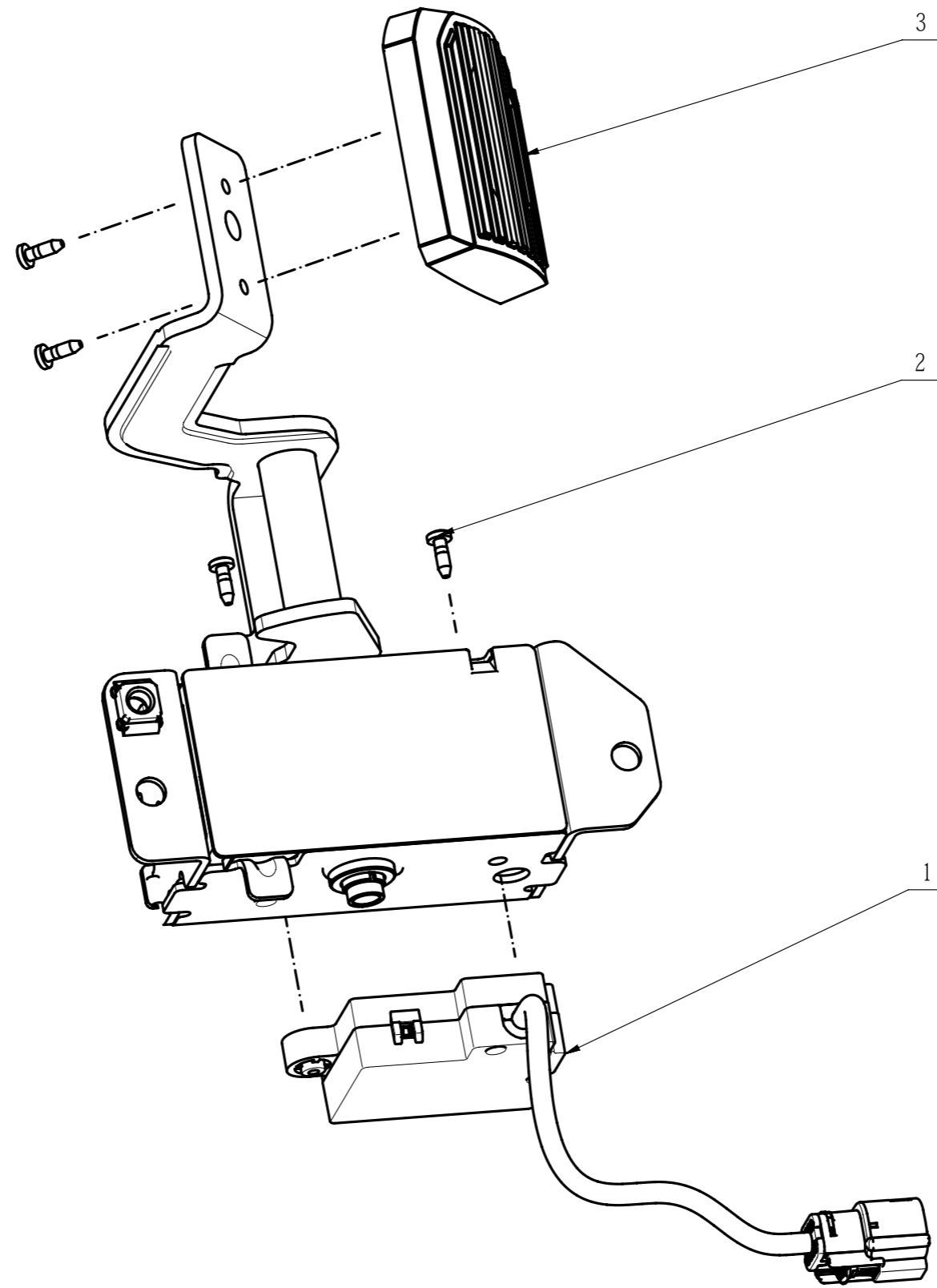
206 Manual Panel Assembly



206-1	3134190001	Cruise Button	3134190001	1
206-2	4870762001	Push Switch	4870762001	1
206-3	3667866001	Compression Spring	3667866001	1
206-4	2246017001	Nameplate	2246017001	1
206-5	3134137002	Push Plate	3134137002	1
206-6	5620377003	Hexagon Socket Screw	5620377003	4
206-7	3134138001	Plunge Unit	3134138001	1
206-8	3650312001	Pull Rod	3650312001	1
206-9	3135120001	Rubber Plug	3135120001	1
206-10	5611130001	Hexalobular Socket Tapping Screw	5611130001	2
206-11	5630507001	Anti-stripping Clip	5630507001	4
206-12	2246021002	Nameplate	2246021002	1
206-13	3134186001	Support Base	3134186001	1
206-14	3134179001	Charging Port Cover	3134179001	1
206-15	3660810001	Torsion Spring	3660810001	2
206-16	2829750001	Charging Harness Assembly	2829750001	1
206-17	3134192002	Handle	3134192002	1
206-18	2246016001	Nameplate	2246016001	1
206-19	2829495001	LCD Assembly	2829495001	1
206-20	5610305001	Tapping Screw	5610305001	29
206-21	2831466001	Push Button Panel Electric Assembly	2831466001	1
206-401	2851019001	Manual Panel Assembly	2851019001	1



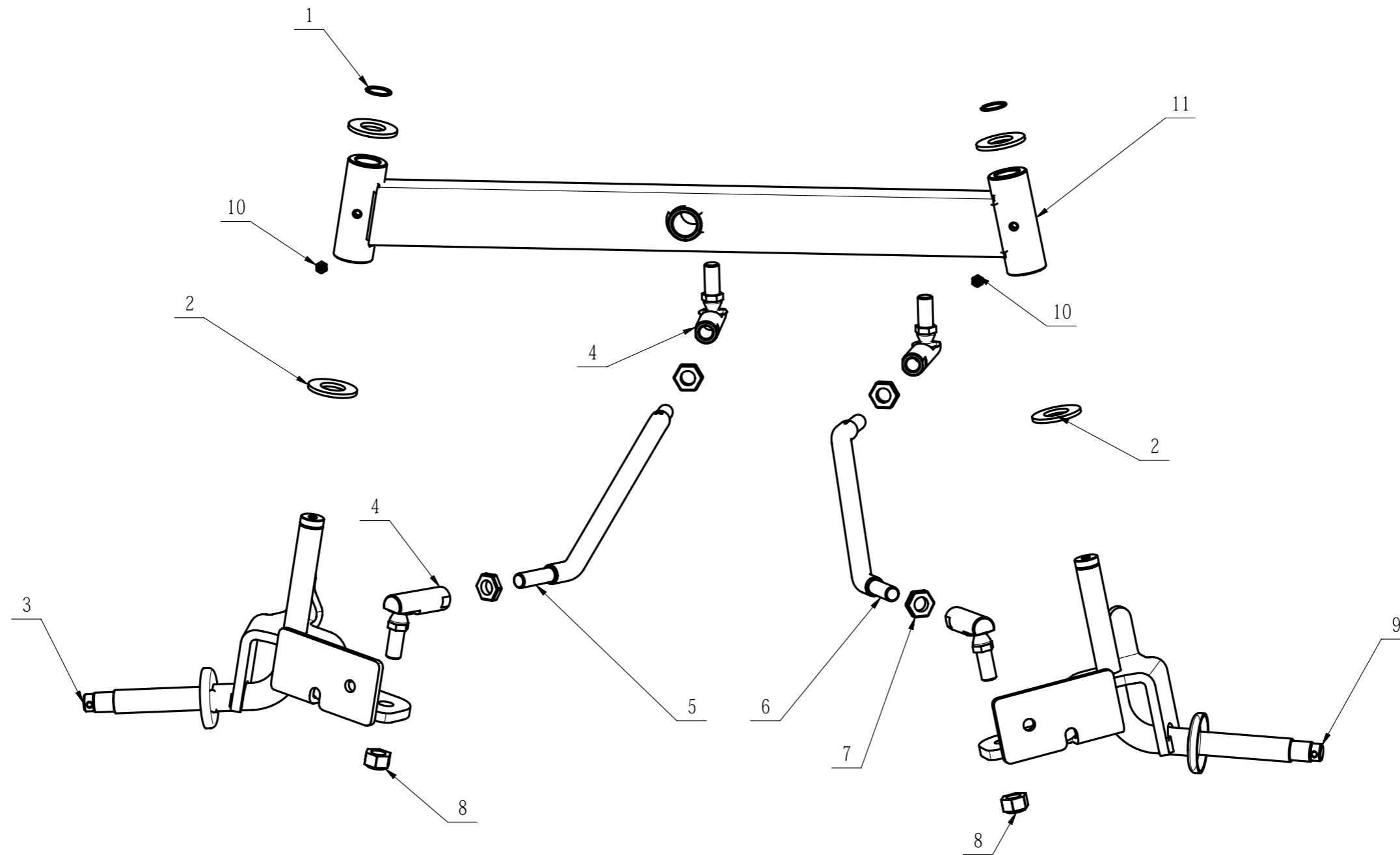
207-1	3134128001	Pedal	3134128001	1
207-2	5620377003	Hexagon Socket Screw	5620377003	5
207-3	3650329001	Handspike	3650329001	1
207-4	5670184002	Pin	5670184002	1
207-5	3134130001	Switch Support	3134130001	1
207-6	4870979001	Switch Assembly	4870979001	1



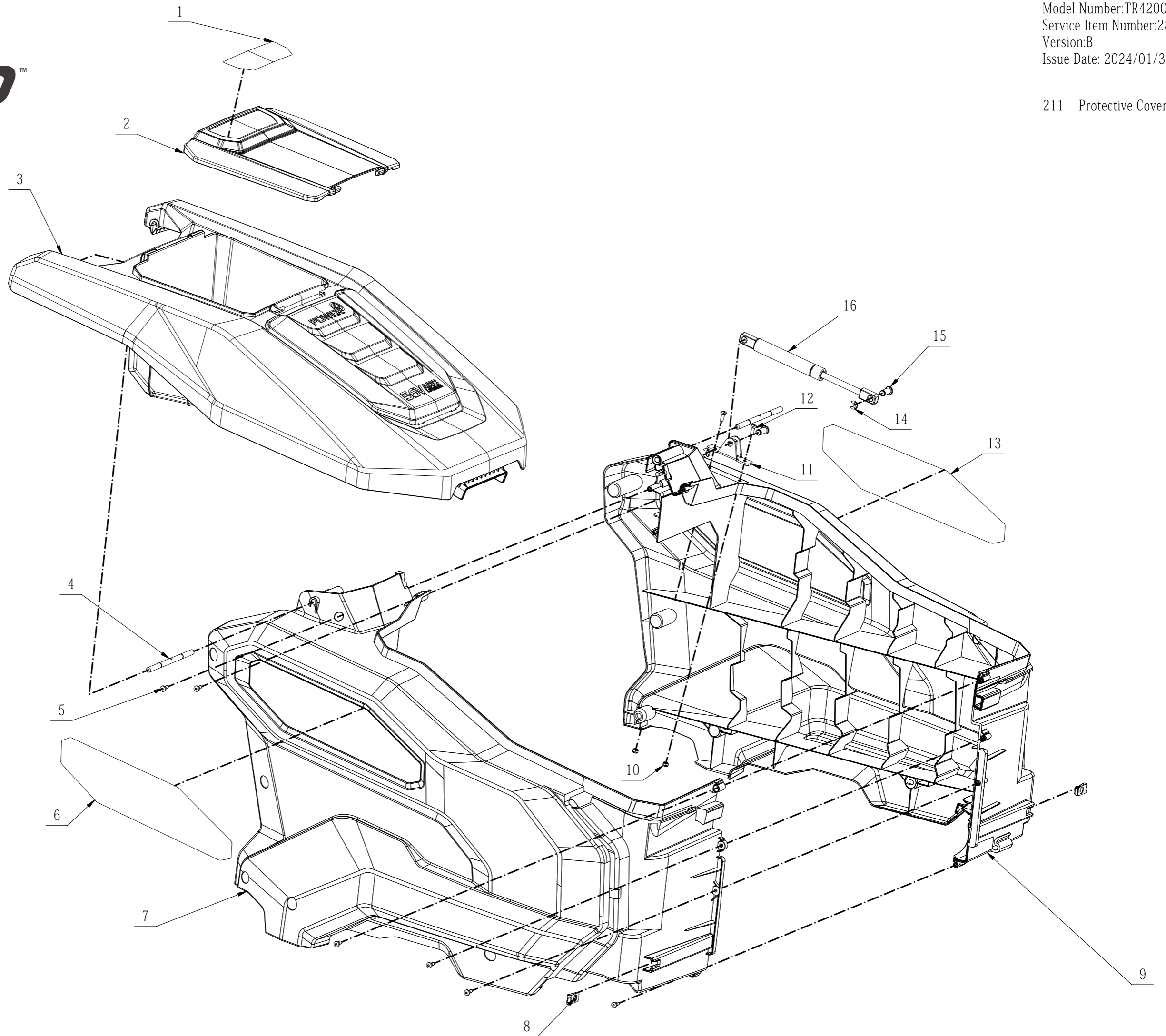
208-1	2831378001	Hall Electric Assembly	2831378001	1
208-2	5620377003	Hexagon Socket Screw	5620377003	4
208-3	3134129001	Pedal	3134129001	1

209-1	2243529016	Nameplate	2243529016	1
209-2	2823670005	Chute Deflector Assembly	2823670005	1
209-3	5640352001	Hexagon Flange Bolt	5640352001	2
209-4	3131072001	Roller Wheel	3131072001	2
209-5	5640357001	Semicircular Head Square Neck Bolt	5640357001	5
209-6	5640222001	Hexagon Flange Bolt	5640222001	8
209-7	5640226001	Flange Bolt	5640226001	2
209-8	5650510001	Washer	5650510001	2
209-9	3580113001	Flange	3580113001	2
209-10	5630371001	Prevailing Torque Type Hexagon Lock Nut with Flange	5630371001	2
209-11	3131048001	Baffle Strip	3131048001	1
209-12	5630244004	Nut	5630244004	5
209-13	2240127004	Label	2240127004	1
209-14	2244796002	Nameplate	2244796002	1
209-15	2823718001	Outlet Nozzle Assembly	2823718001	1
209-16	5610388001	Hexalobular Socket Thread Forming Screw	5610388001	2
209-17	2829476003	Deck Unit	2829476003	1
209-18	2730319001	DC Motor	2730319001	2

210 Front Axle



210-1	5660384001	Spiral Ring For Shaft	5660384001	2
210-2	5650908001	Plain Washer	5650908001	4
210-3	2829425001	Front Wheel Bracket Assembly	2829425001	1
210-4	5700539001	Spherical Plain Bearings	5700539001	4
210-5	3708922001	Right Drag Link	3708922001	1
210-6	3708921001	Left Drag Link	3708921001	1
210-7	5630520001	Hexagon Thin Nut	5630520001	4
210-8	5630519001	Lock Nut	5630519001	2
210-9	2829424001	Front Wheel Bracket Assembly	2829424001	1
210-10	5640520001	Straight Hydraulic Grease Nipples	5640520001	2
210-11	2829423001	Front Axle	2829423001	1



211-1	2246015001	Nameplate	2246015001	1
211-2	3403493002	Lid Case	3403493002	1
211-3	2850158002	Battery Box Cover Assembly	2850158002	1
211-4	5670564001	Pin Shaft	5670564001	2
211-5	5620377003	Hexagon Socket Screw	5620377003	6
211-6	2246020002	Nameplate	2246020002	1
211-7	3134185002	Right Cover	3134185002	1
211-8	5630507001	Anti-stripping Clip	5630507001	2
211-9	3134178002	Left Cover	3134178002	1
211-10	5630231001	Nut	5630231001	2
211-11	3707349001	Support Base	3707349001	1
211-12	5620477003	Hexagon Lobular Screw	5620477003	2
211-13	2246020001	Nameplate	2246020001	1
211-14	5660305001	E Ring	5660305001	2
211-15	5670559001	Pin Shaft	5670559001	2
211-16	3660805001	Gas Spring	3660805001	1

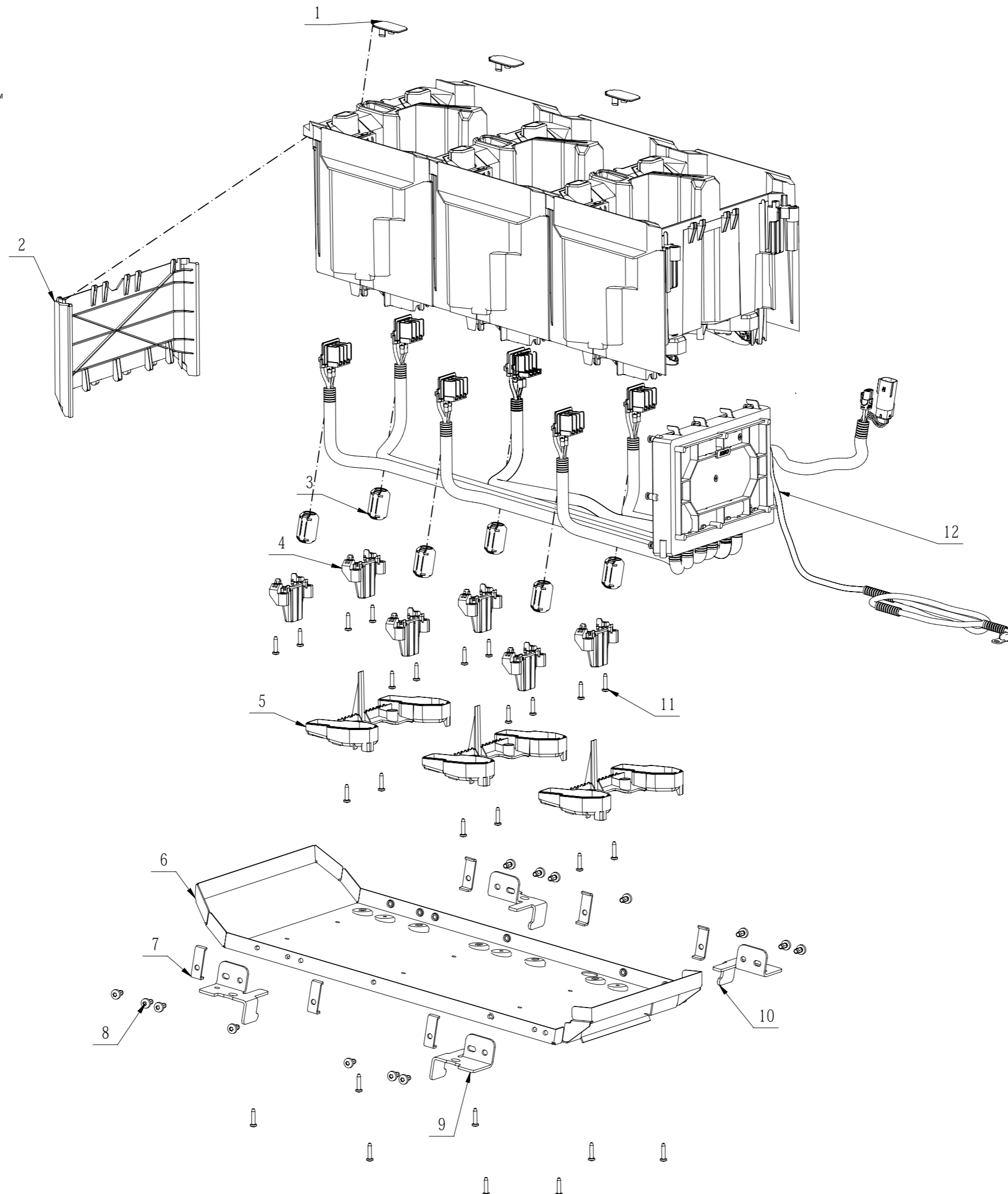
212-1	2850240002	Front Cover Assembly	2850240002	1
212-2	3707446001	EGO Logo	3707446001	1
212-3	2831479001	LED Electric Assembly	2831479001	1
212-4	5620377003	Hexagon Socket Screw	5620377003	2

212-1	2850240002	Front Cover Assembly	2850240002	1
212-2	3707446001	EGO Logo	3707446001	1
212-3	2831479001	LED Electric Assembly	2831479001	1
212-4	5620377003	Hexagon Socket Screw	5620377003	2



Product Description: Tractor
Model Number: TR4200E
Service Item Number: 2850682001S01
Version: A
Issue Date: 2023/11/09

213 Battery Box Assembly



213-1	3130965001	Cover	3130965001	3
213-2	3130961001	Dust Cover	3130961001	1
213-3	3680226001	Magnetic Block	3680226001	6
213-4	3131426001	Supporting Structure	3131426001	6
213-5	3130969001	Cover Plate	3130969001	3
213-6	3709240001	Big Base Plate	3709240001	1
213-7	3707351001	Hook	3707351001	6
213-8	5610388001	Hexalobular Socket Thread Forming	5610388001	14
213-9	3708880001	Battery Left Bracket	3708880001	2
213-10	3708879001	Right Bracket for Battery	3708879001	2
213-11	5620157006	Hexagon Socket Screw	5620157006	42
213-12	2831480001	BMS Electric Assembly	2831480001	1