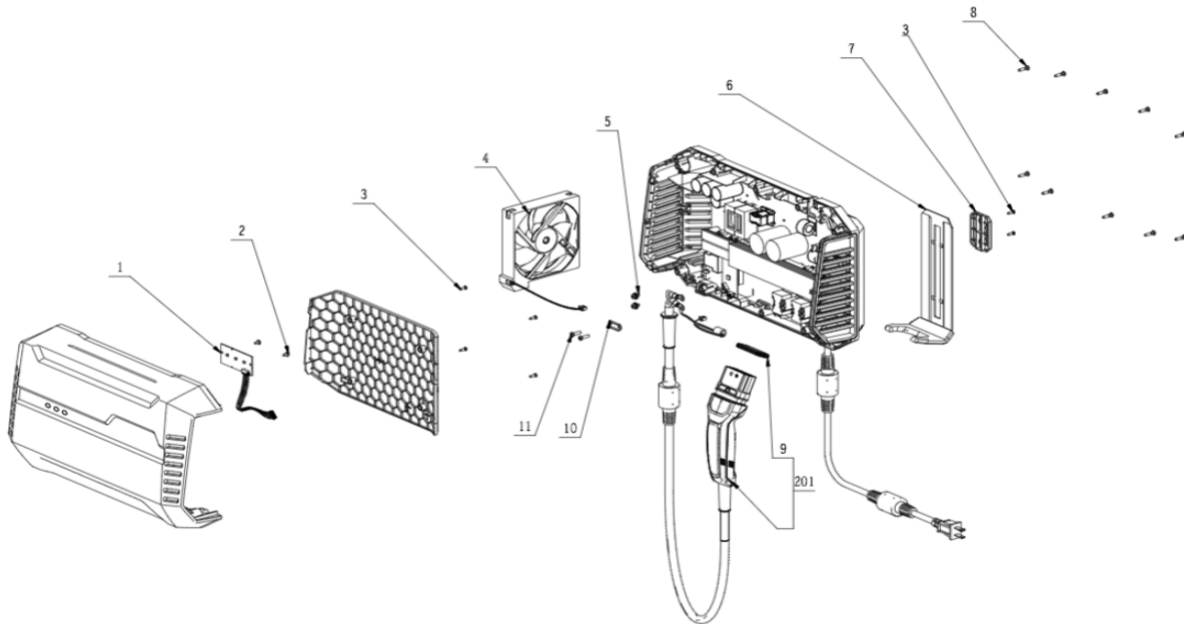


CHV1600E

Charger



Product Description: Charger
 Model Number: CHV1600E
 Body Number: 0800259001_S
 Version: A
 Issue Date: 2021/12/2



| Index No. | Art. No. | Description EN | QTY in machine |
|-----------|------------|----------------------------|----------------|
| 1 | 2830916001 | 5369 LED Electric Assembly | 1 |
| 2 | 5620357001 | Screw | 2 |
| 3 | 5610011006 | Tapping Screw | 6 |
| 4 | 3300020001 | Fan Assembly | 1 |
| 5 | 5620618001 | Screw with Washer | 2 |
| 6 | 3403191001 | Pothook | 1 |
| 7 | 3131293001 | Guide Block | 1 |
| 8 | 5610264002 | Hexagon Lobular Screw | 10 |
| 9 | 5690356002 | Seal Ring | 1 |
| 10 | 3707506001 | Cord Anchorage | 1 |
| 11 | 5610031003 | Thread Forming Screw | 2 |
| 201 | 4860790001 | Output Wire Assembly | 1 |

KEES VANDER SPEK
 TUIN EN PARKMACHINES * TER AAR